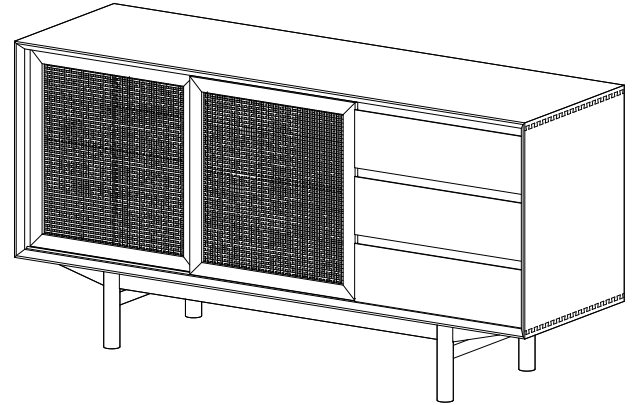


# Torii Cabinet Series



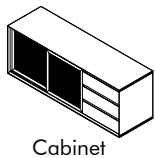
CONTACT US  
 +864000808822  
 www.gradodesign.com  
 info@gradodesign.com



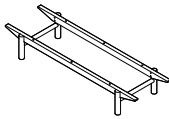
**grado**  
 www.gradodesign.com

**grado**  
 www.gradodesign.com

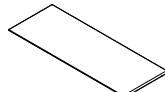
**grado**



Cabinet



Base  
 = leg + holder



Shelf



Short  
 screw\*8



Long  
 screw\*6



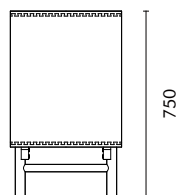
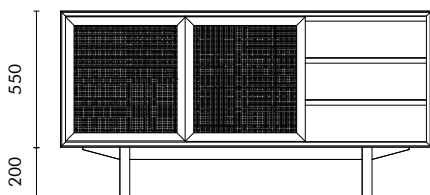
Allen  
 wrench



Shelf  
 holders\*4

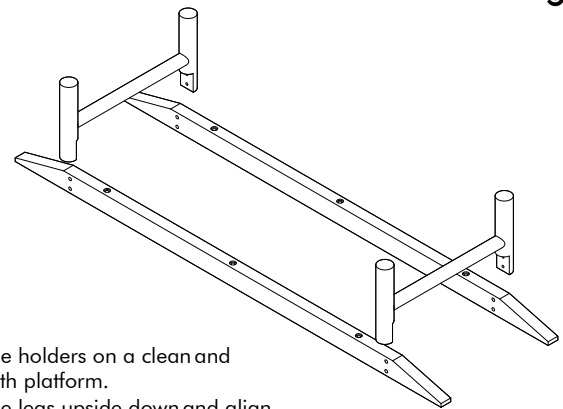


Protector\*4



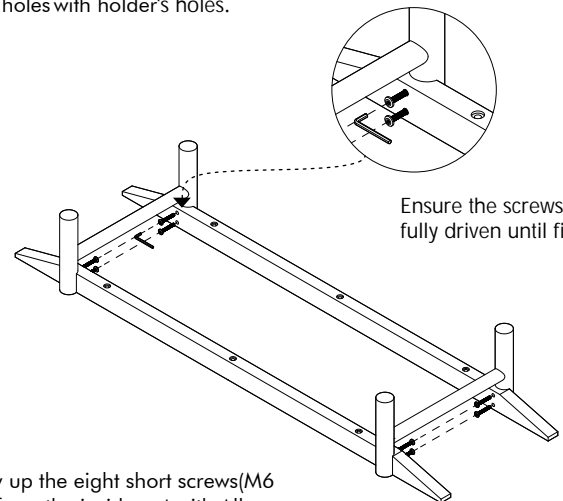
**grado**

A



Put the holders on a clean and smooth platform. Put the legs upside down and align leg's holes with holder's holes.

B

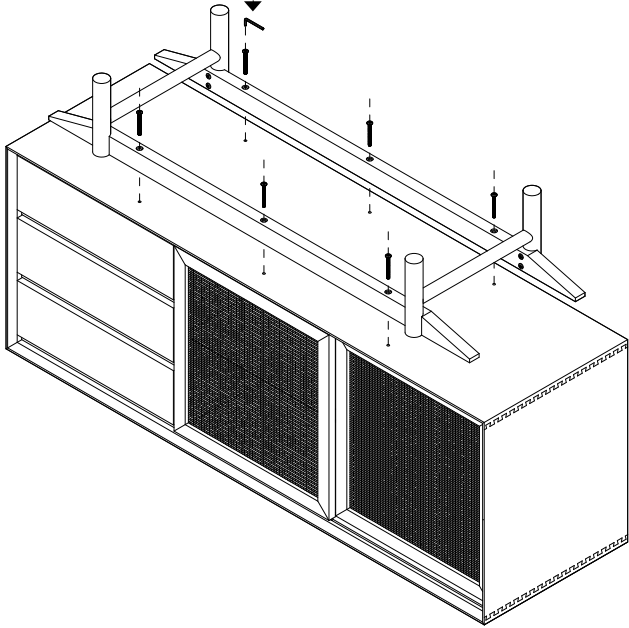
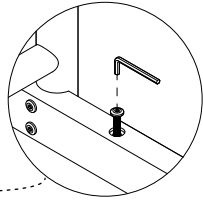


Ensure the screws not fully driven until finish.

Screw up the eight short screws(M6 \*40) from the inside out with Allen wrench.

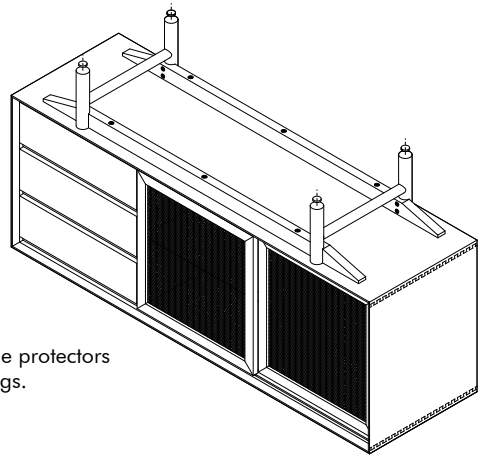
C

Put the cabinet upside down on a clean and smooth platform. Place the base as the picture shows.



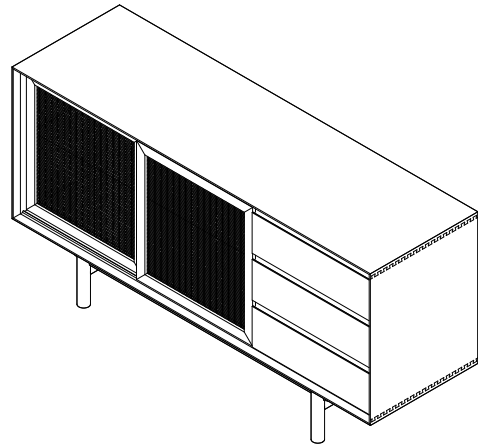
Screw up the six long screws(M6\*60) from the top down with Allen wrench.

D



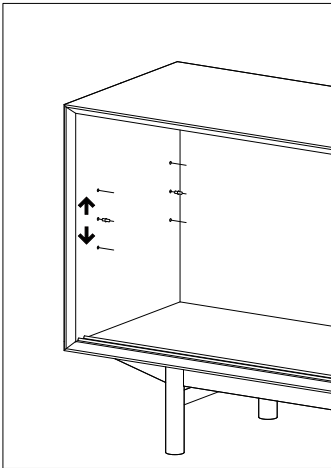
Stick the protectors onto legs.

E



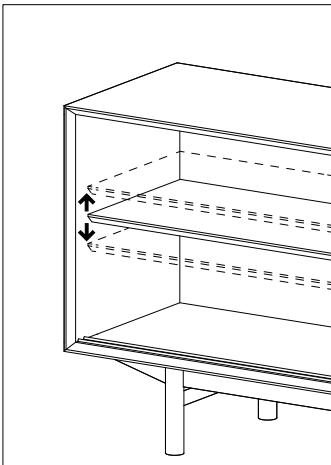
Move the cabinet in place with a helping hand.

F



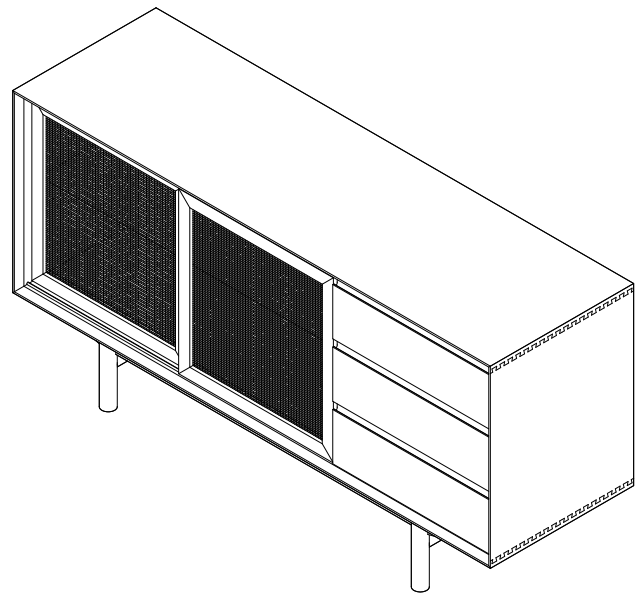
Insert the shelf holders into slots.

G



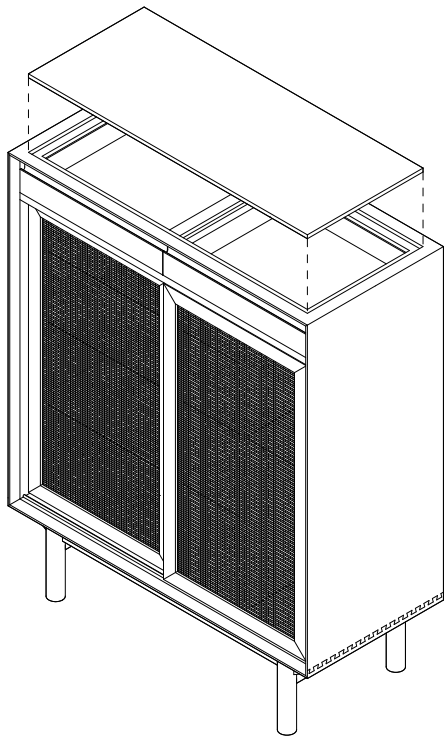
Place the shelf on the holders.

H



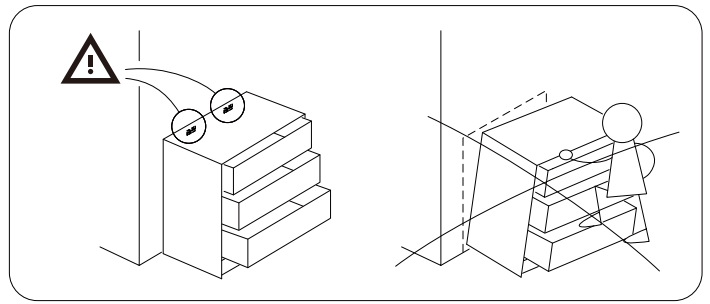
Finish!

I

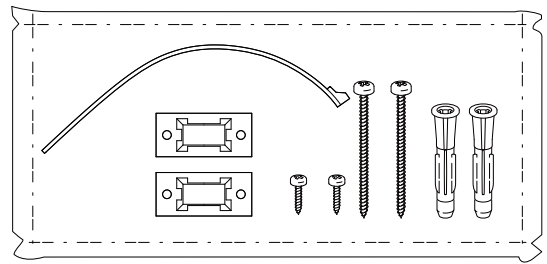


For the sideboard, place the glass plate into top slot to finish.

J



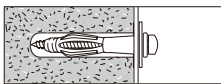
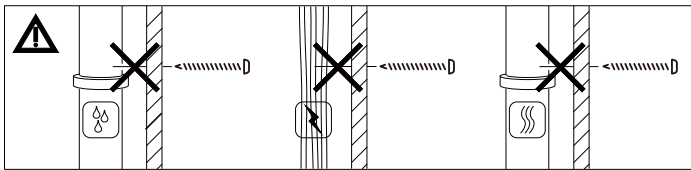
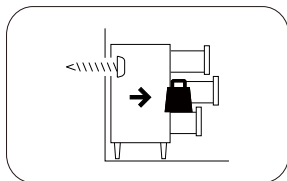
For safety concerns, wall anchor strap kits are offered. Please anchor the cabinet to avoid any danger.



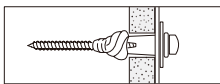
Wall anchor strap kit\*2

K

Wall anchor kit instructions



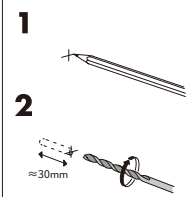
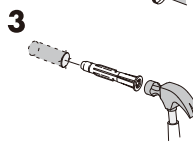
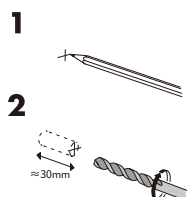
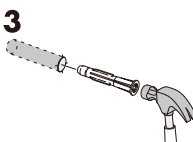
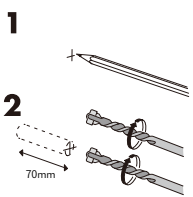
φ8mm



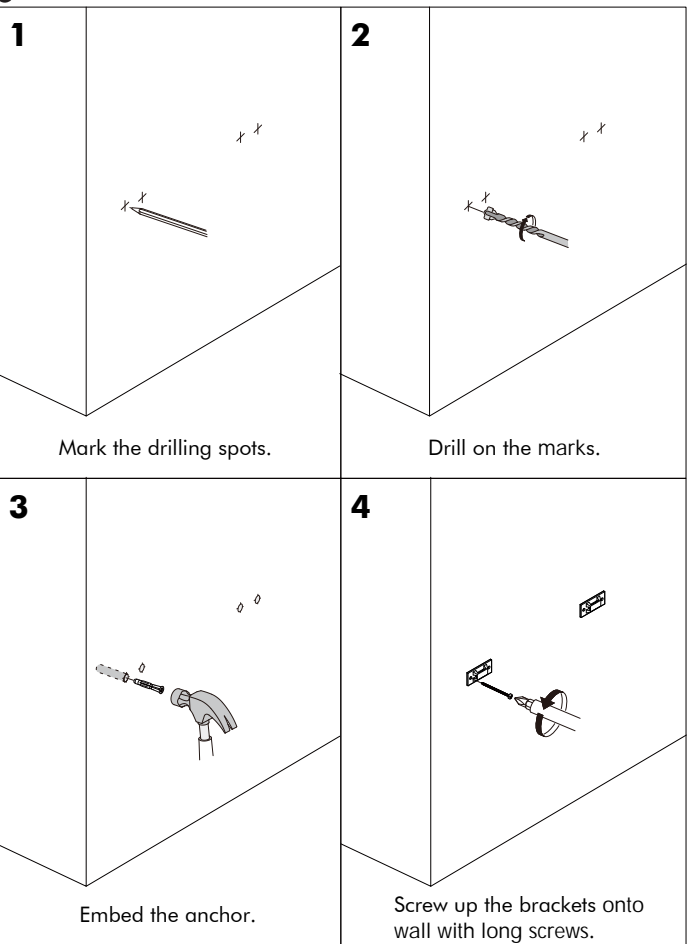
φ8mm

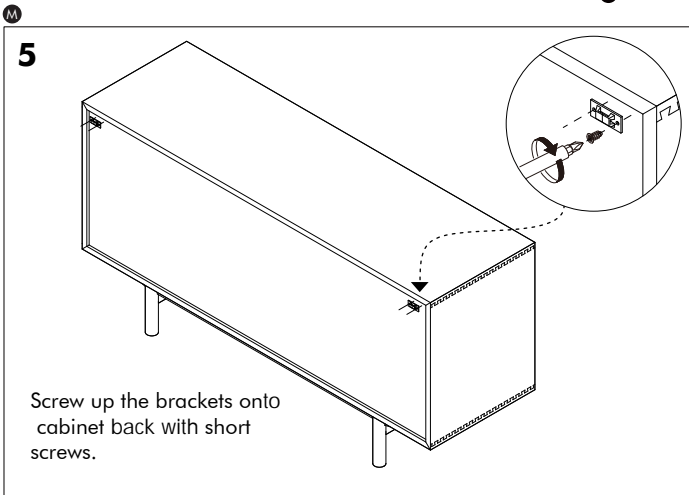


φ3mm

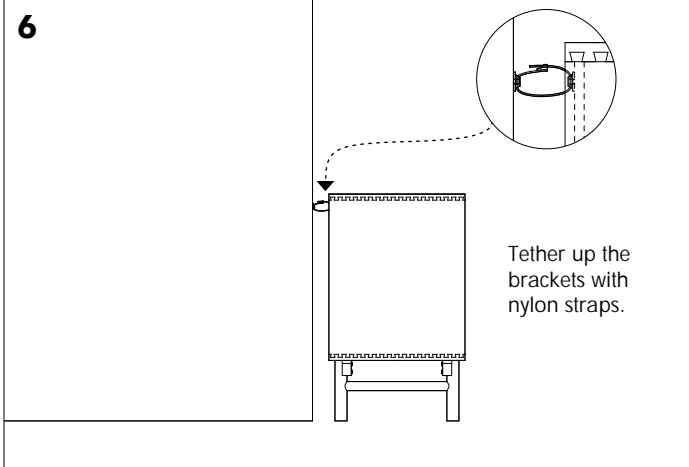


L

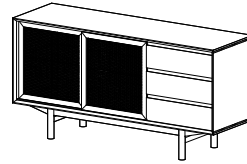




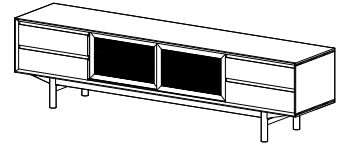
Screw up the brackets onto cabinet back with short screws.



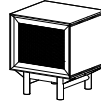
Tether up the brackets with nylon straps.



TOR-CA-01  
(Wall anchor strap installation recommended)



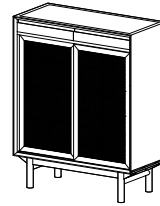
TOR-CA-03



TOR-CA-04



TOR-CA-05



TOR-CA-06  
(Wall anchor strap installation recommended)