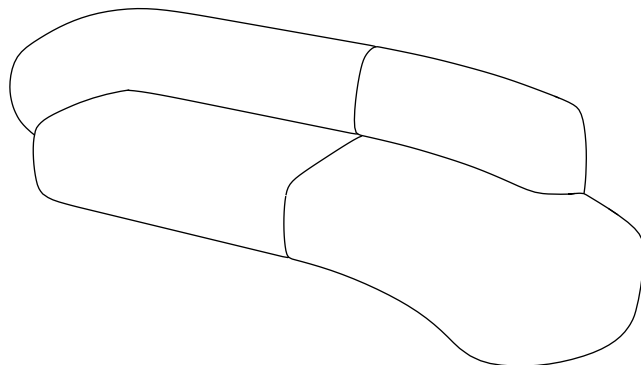


CONTACT US  
+864000808822  
www.gradodesign.com  
info@gradodesign.com



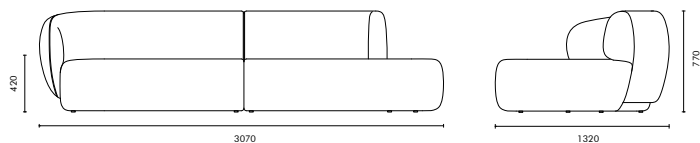
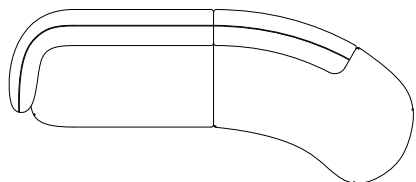
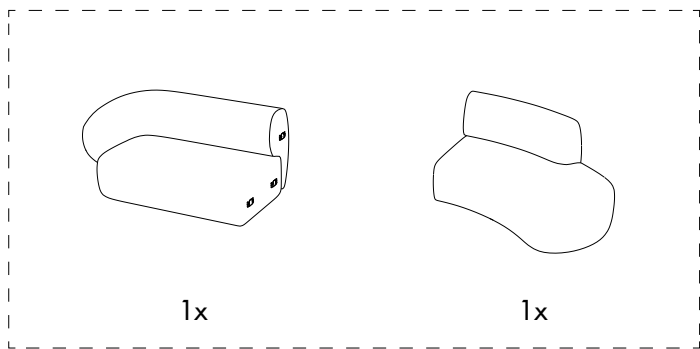
**grado**  
www.gradodesign.com

# SWELL SOFA



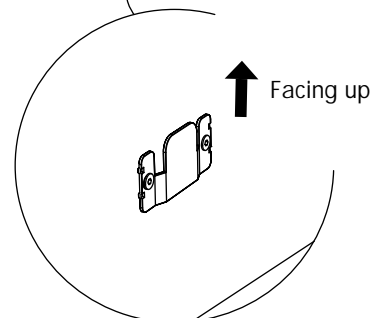
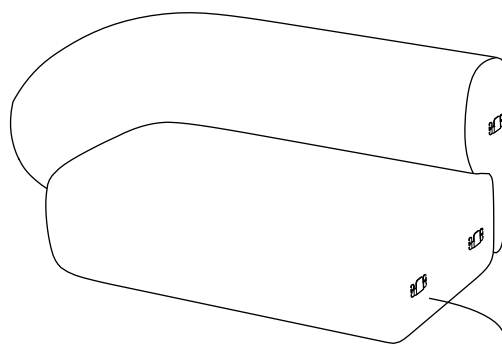
**grado**  
www.gradodesign.com

**grado**

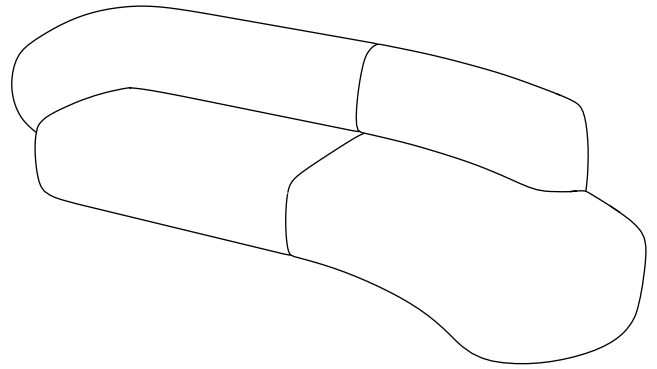
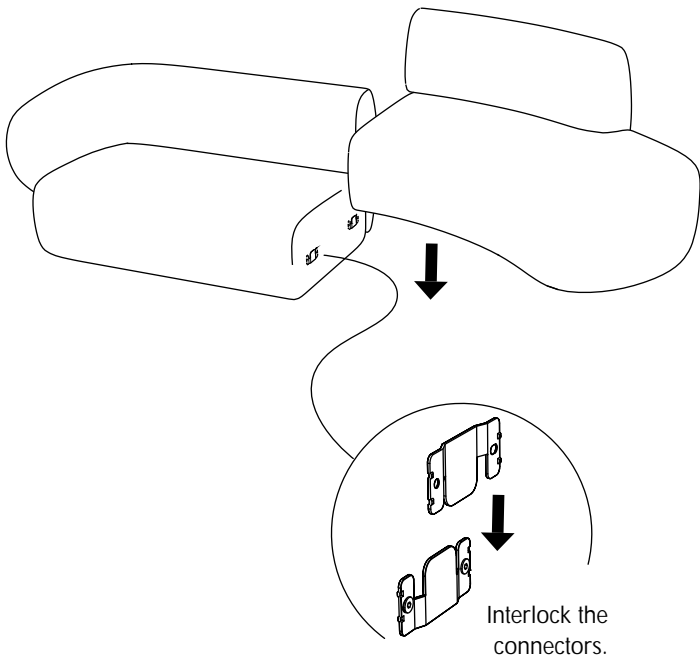


**grado**

**A** Place the facing up side module on the floor.

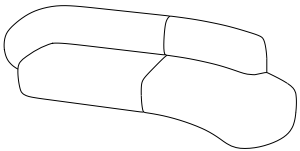


- 6 Lift one module to interlock the facing up side and the facing down side.

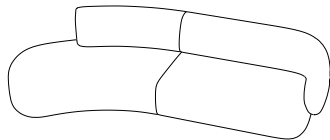


Finish!

SKUs:



G01A  
SWE-SF-G01-A



G01B  
SWE-SF-G01-B