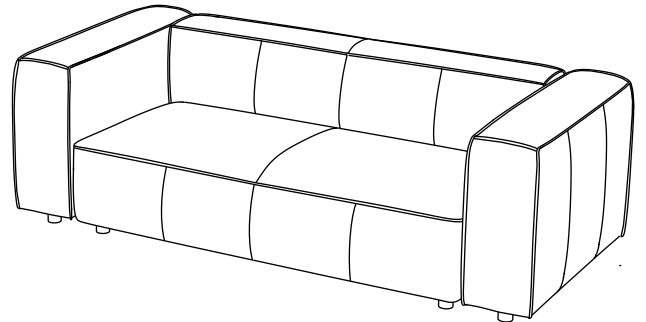


BUTTER SOFA

STANDARD



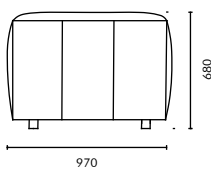
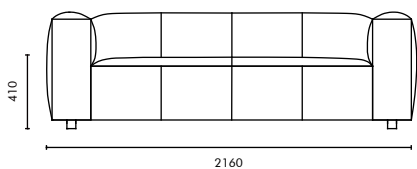
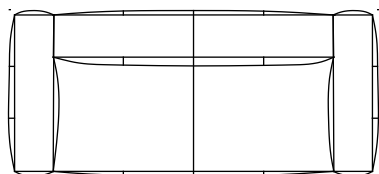
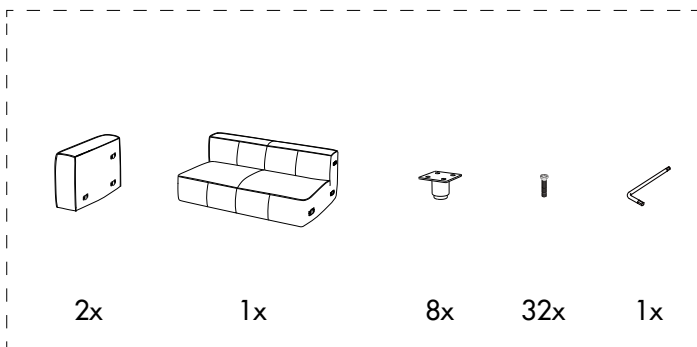
CONTACT US
 +864000808822
 www.gradodesign.com
 info@gradodesign.com



grado
 www.gradodesign.com

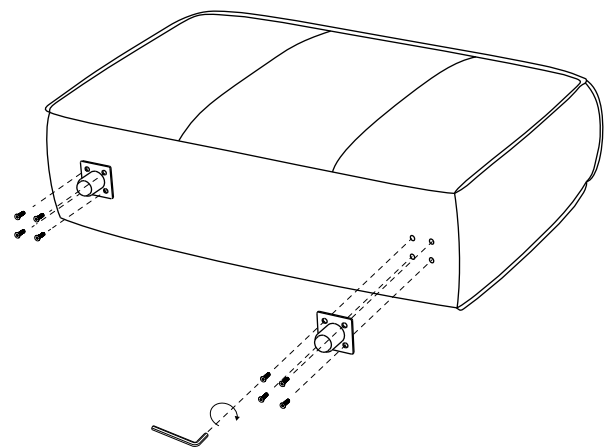
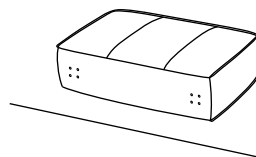
grado
 www.gradodesign.com

grado

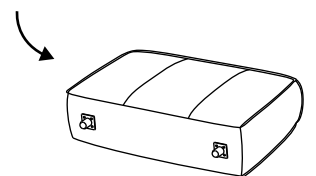


grado

- A Place the armrest on a clean and smooth surface like the following pic shows.

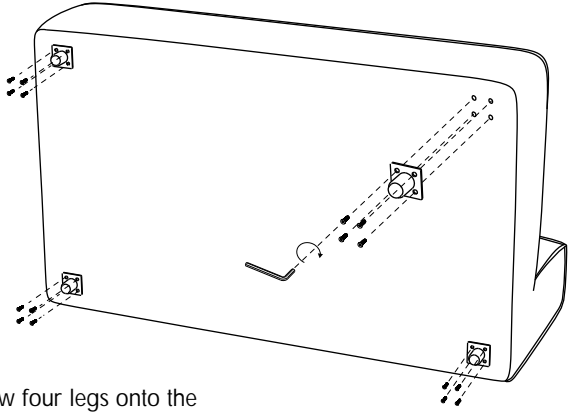
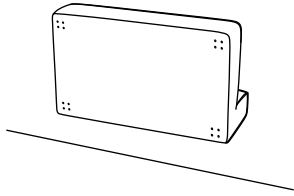


Screw two legs onto the armrest with the Allen wrench.

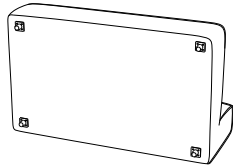


2x

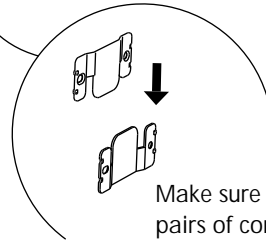
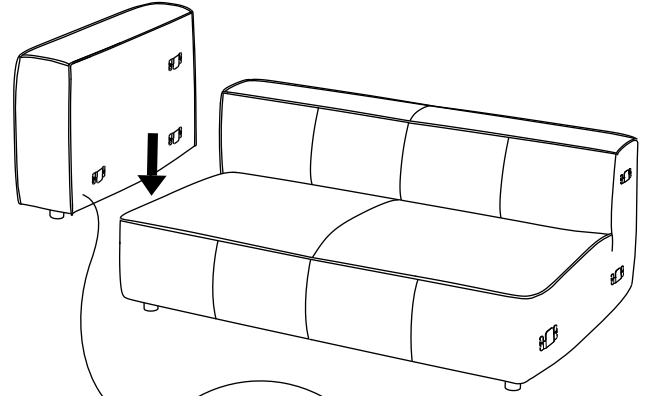
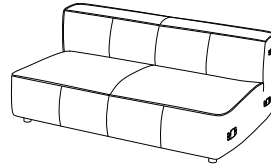
6 Place the sofa lying on its back on a clean and smooth surface.



Screw four legs onto the seat with the Allen wrench.

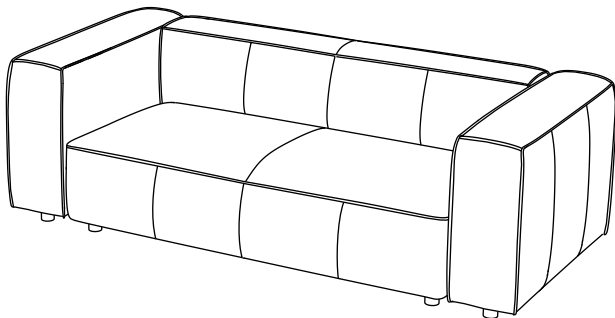
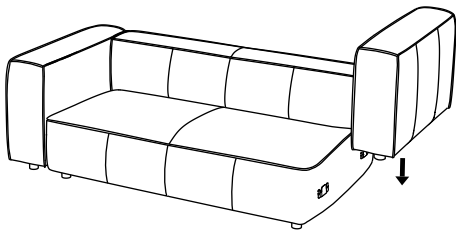


7 Place the sofa on the floor. Lift the armrest to interlock the connectors.



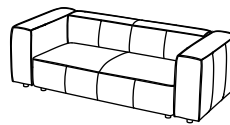
Make sure the 3 pairs of connectors are all locked.

8 Attach the other armrest to the seat in the same way.

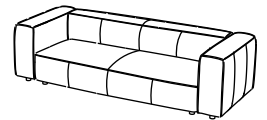


Finish!

SKUs:



3 Seater
BUT-SF-3S



4 Seater
BUT-SF-4S