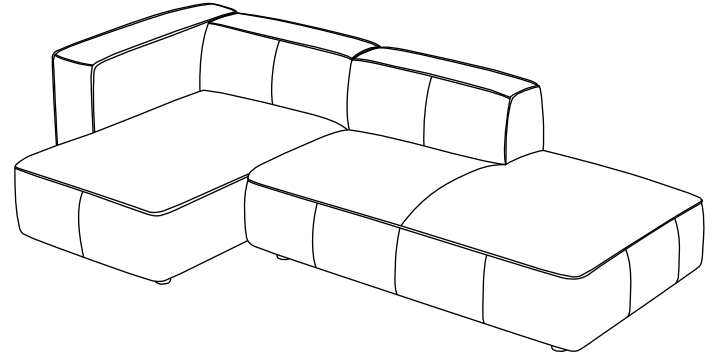


BUTTER SOFA

Soft & Soft Modular



CONTACT US
+864000808822
www.gradodesign.com
info@gradodesign.com

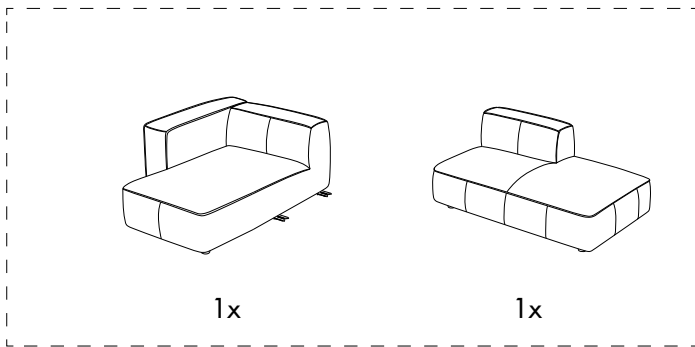
Follow us on:



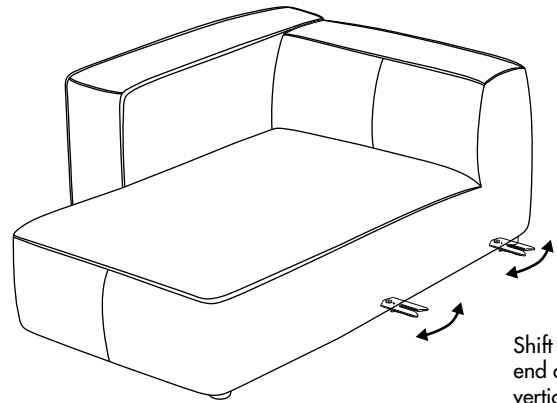
grado
www.gradodesign.com

grado
www.gradodesign.com

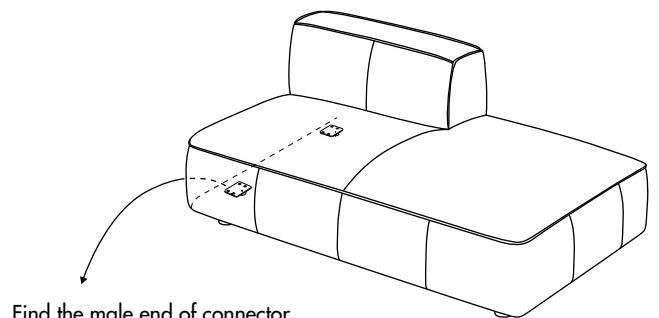
grado



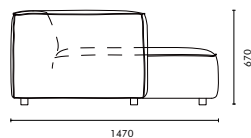
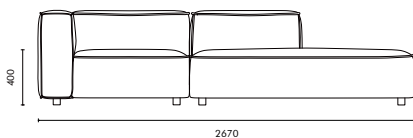
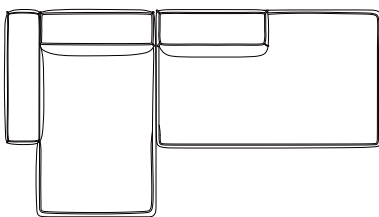
A Place the sofa on a clean and smooth surface.



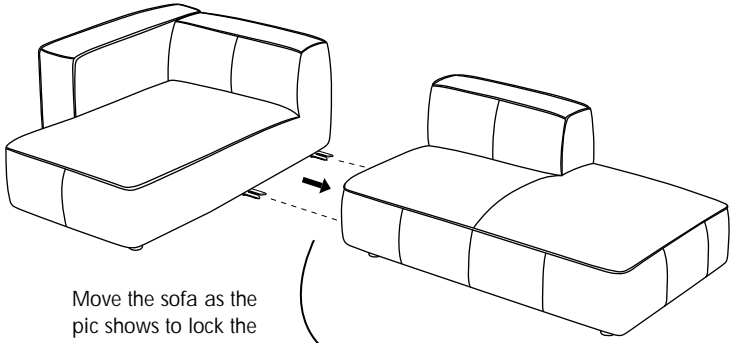
Shift the female end of connector vertical to the sofa.



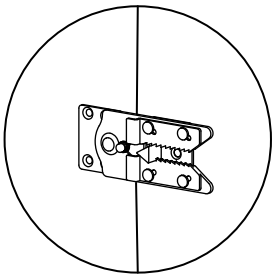
Find the male end of connector.



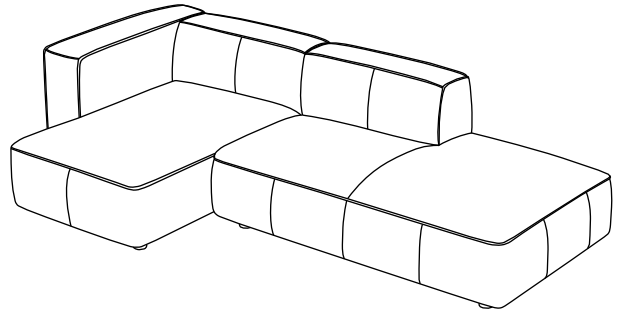
B



Move the sofa as the pic shows to lock the connectors. Note that there are two pairs.



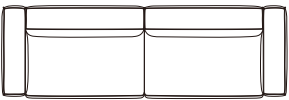
Interlock the connectors.



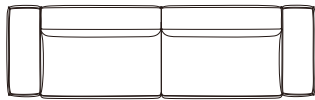
Butter Sofa Soft

BUT-SF-SOFT-S01-B

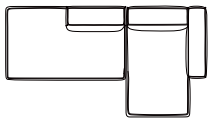
SKUs:



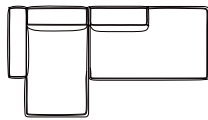
Butter Sofa Soft/ 5-Seater
BUT-SF-SOFT-5S



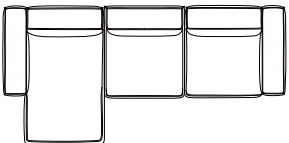
Butter Sofa Soft/ Wide Armrests 5-Seater
BUT-SF-SOFT-WIDE-5S



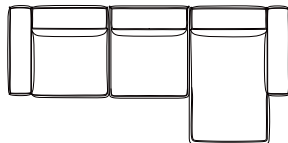
Butter Sofa Soft/ S01A
BUT-SF-SOFT-S01-A



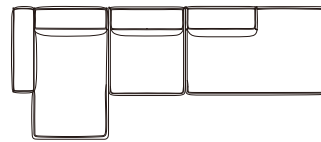
Butter Sofa Soft/ S01B
BUT-SF-SOFT-S01-B



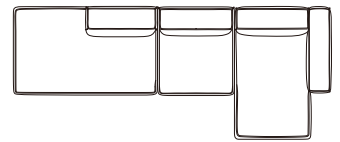
Butter Sofa Soft/ S02A
BUT-SF-SOFT-S02-A



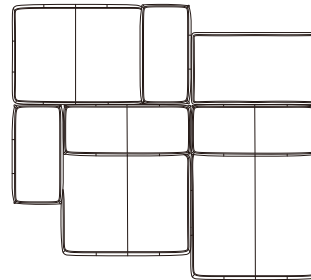
Butter Sofa Soft/ S02B
BUT-SF-SOFT-S02-B



Butter Sofa Soft/ S03A
BUT-SF-SOFT-S03-A



Butter Sofa Soft/ S03B
BUT-SF-SOFT-S03-B



Butter Sofa Soft Modular/ SM01
BUT-SF-SOFT-MODULAR-SM01