

A9

KORNORGE ELECTRIC BIKE USER MANUAL

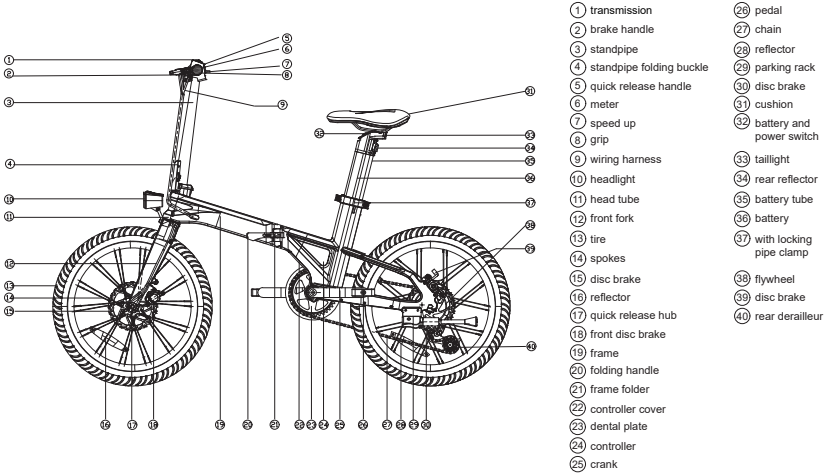
(Please read the instruction manual carefully and understand the performance of the electric bicycle before using. Please keep the instruction manual properly)



KORNORGE

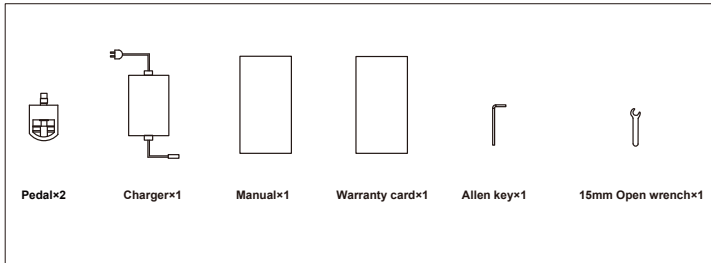
MADE BY KORNORGE

Smart Electric Bike Instruction Manual



Note:Some details of your bike may be little different from the above picture due to our product upgrading, which will not affect the usage.

LIST OF ACCESSORIES



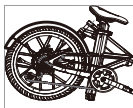
Folding Steps:



1. Insert the key to open the seat tube battery lock.

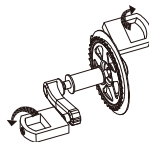


2. Adjust the handle, loosen the handle of the folding riser, and fold the lower riser.



3. Adjust the seat tube height, open the frame folding handle, and fold the frame.

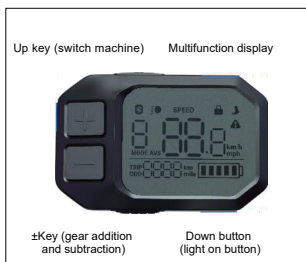
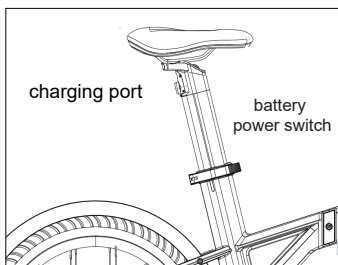
Install Pedals:



Right Pedal: Rotating Clockwise
Left Pedal: Rotating Anticlockwise

FUNCTION

- 1. Unpacking assembly and debugging:** After unpacking, take out the electric bike, assemble the handlebar, lock the handlebar quick release, install the front wheel in the hook groove of the front fork, install the quick release lock, lightly hold the brake lever several times, wait for The brake line is restored to the best state, and it is confirmed that there is no abnormal noise when the front wheel rotates, and that the front and rear brakes are functioning properly. Adjust the seat tube height, lock the quick release handle after adjusting to a suitable height, install the power cord, and install the foot pedal.
- 2. Charging:** First connect the DC end of the charger to the charging port of the electric bike, and then connect the AC end of the charger to the household power socket. After the charger is connected, it starts to charge. During charging, the indicator light of the charger shows a red light. The indicator light changes from red to yellow-green, indicating that the battery is fully charged.
- 3. Switch on and off:** Turn on the battery power switch, and press and hold the button on the meter for 3 seconds to switch the power of the e-bike on and off.
- 4. Light switch:** Press the down button of the instrument once to turn on or off the front and rear lights of the e-bike.
- 5. Power-assist mode:** When riding, step on the pedal to assist the electric output. The power-assist is divided into 3 gears, corresponding to the speed limit of 15km/h, 20km/h and 25km/h respectively. If you need to adjust the gear, short press the "+" button to complete the gear switching, and the instrument will display the current corresponding assist gear.
- 6. Pure electric mode:** Press the accelerator dial, the e-bike can be directly accelerated electrically, and the maximum speed of pure electric is 25km/h.
- 7. Multi-function display:** Speed display, gear display, total mileage/single mileage display (press the down button of the instrument quickly 2 times to switch single/total mileage), speed unit display (press the down button of the instrument 3 times to switch KMH/ MPH) etc.
- 8. Power-off brake and tail light:** When the power-off brake lever is squeezed, the controller first cuts off the motor output, and then the disc brake mechanically brakes. When the brake lever is not fully rebounded, neither the dial nor the power assist can give electric acceleration.
- 9. Tail lights:** Night running lights/brake lights, night running lights and headlights synchronous switch, tail lights flashing when braking.
- 10. Battery removal and installation:** The seat tube is detachable. To adjust the seat tube battery, you need to open the seat tube handle switch with a key. You can adjust the seat tube battery up and down and remove the seat tube battery. After unplugging the power cord, you can pull out the battery.
(If the battery is damaged and needs to be replaced, please contact the official customer service.)
- 11. Instrument setting:** Press the "+/-" keys at the same time to enter the instrument setting interface, the "+/-" key to adjust the setting mode P0-P2, P0: voltage setting; P1: mileage reset; P2: wheel diameter setting. After switching to the corresponding mode, press the down key of the meter to switch to the mode setting item. After switching to the mode setting item, press the "+/-" key to switch the setting option. After the switch is completed, press the upper key of the meter to exit the setting mode.



Gears

Some of KORNORGE E-Bike go with gears, which consists of:

- A rear sprocket cluster, called a freewheel or cog set
- A rear derailleur
- One swifter
- One control cable
- One front sprocket called a chaining
- A drive chain

There are many different types of swifter mechanisms, each preferred for specific Applications because of its ergonomic, performance and price characteristics.

A downshift is a shift to a lower or lower gear, one which is easier to pedal. An upshift is a shift to a higher or faster gear, one which is harder to pedal. For example, you can downshift to a lower gear to make pedaling easier on a hill.

On the other hand, you may upshift to a higher gear when you wish to go faster.

Whether up-shifting or downshifting, the derailleur system requires that the drive Chain be moving forward and be under at least some tension. A derailleur will Shift only if you are pedaling forward.

Caution: _____

Never move the swifter while pedaling backward. Also do not pedal backwards after moving the swifter. Either of these actions could jam chain and cause serious damage to the E-Bikes.



Derailleur System

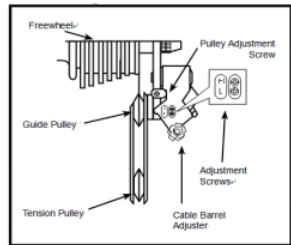
The derailleur system includes the front and rear derailleur, the shift levers, and the derailleur control cables, all of which must function properly for smooth gear

shifting to occur.

Derailleur

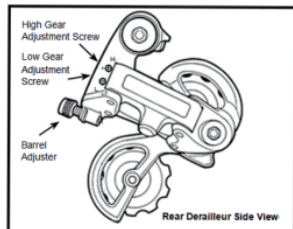
Although the front and rear derailleur are initially adjusted in our factory, you will need to inspect and read just both before riding bicycle.

Rear Derailleur



Begin by shifting the rear swifter to largest number indicated, loosen the cable from the rear derailleur cable anchor bolt, and place the chain on the smallest sprocket.

Adjust the high limit screw so that the guide pulley and the smallest sprocket are lined up vertically. Re-tighten the cable, pull out any slack, and re-tighten the anchor bolt securely. Shifting through the gears, making sure that each gear is achieved quietly and without hesitation. If necessary, use the barrel adjuster to fine tune the cable tension by turning it the direction you want the chain to go. For example, turning clockwise will loose the cable tension and move the chain away from the wheel, while turning counter-clockwise will tighten cable tension and direct the chain to the wheel.



Product Parameters

	Model	A9
Physical Dimension	Material	magnesium alloy
	Folding size	815*400*690mm
	Spread size	1475*540*690mm
	Package size	1220*260*595mm
	Center distance	972mm
	Foot distance	130mm
	Hub size	20inch
	Color	Black / White
Performance	Weight	18.7kg
	Max load	75kg
	Riding speed	20km/h
	Max speed	25km/h
	Power consumption	1.1kWh
	Mileage(pure electric)	25KM
	Assistant-Mileage	30-40km
	Uphill	15 degree
	Temperature	-10~45°C
	Waterproof	IP54

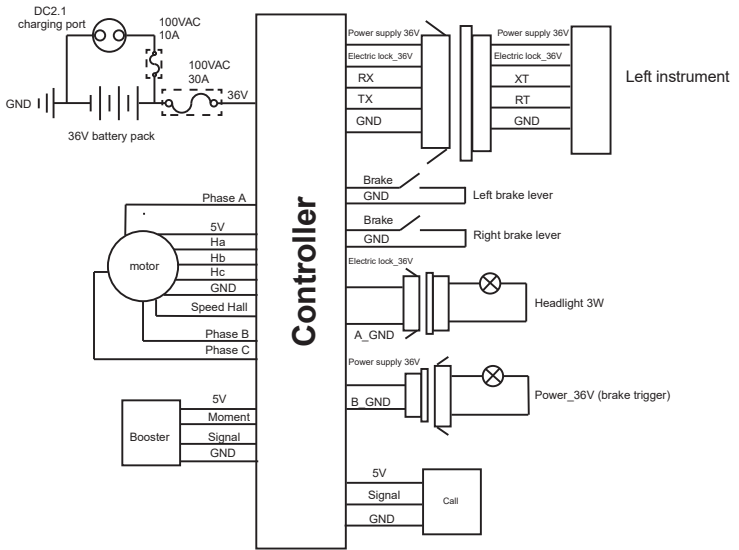
Remark: Many factors will affect the max speed, such as power, load, tyre pressure, road conditions, chain, lubrication degree etc. Mileage has been measured on basis of temperature 25°C, load of 60KG, speed of 15-20KM/H, smooth and hard road, and from full battery to dead battery. It also is subjected to other factors, such as driving habits, temperature, load, tyre pressure, road conditions etc.

Model

	Model	A9
Product Parameters	Battery Type	Lithium battery
	Battery capacity	7.5Ah
	Rated voltage	DC36V
	Charging voltage	DC42V
	Input voltage	AC100-240V
	Charging time	4-5H
	Motor type	High speed motor
	Rated power	250W
	Motor rated speed	280r/min
	Motor rated voltage	36V
	Controller undervoltage value	31±0.5V
	Controller current limit value	15± 1A
	Quick meter	Yes
Features	Transmission	7 variable speed
	Dial accelerator	Yes
	Headlight	Yes
	Taillight	Yes
	Seat	Liftable seat tube battery
	Sensor	Speed sensor
	Braking method	Front and rear dual disc brakes
	Personalized stickers	Support

Remark: Many factors will affect the max speed, such as power, load, tyre pressure, road conditions, chain, lubrication degree etc. Mileage has been measured on basis of temperature 25°C, load of 60KG, speed of 15-20KM/H, smooth and hard road, and from full battery to dead battery. It also is subjected to other factors, such as driving habits, temperature, load, tyre pressure, road conditions etc.

Circuit Schematic



CAUTION

Battery and Charging:

1. Only charge at 0°~ 45°, discharge at -20°~ 60°, keep the battery dry. Do not put the battery in acidic or alkaline liquids, avoid rain, and keep the battery away from fire, heat and high temperature environments. The negative pole is reversed, and it is strictly forbidden to damage, disassemble or short-circuit the battery.
2. When charging, please use the original special charger, not more than 6 hours, and the charging current should not exceed 2A. When not in use for a long time, please keep the battery in a cool and dry place, and charge the battery for two hours every month.
3. Pay attention to the battery types and applicable voltages that the charger can charge. Mixing is strictly prohibited. When charging, it should be placed in a ventilated environment, and it is strictly forbidden to charge in a closed space or in a hot sun and high temperature environment.
4. When charging, plug in the battery first, and then add the utility power; when the battery is fully charged, cut off the utility power first, and then unplug the battery.
5. When the green light is on, the power supply should be cut off in time, and it is forbidden to connect the charger to the AC power supply with no load for a long time without charging.
6. During the charging process, if the indicator light is abnormal, there is a peculiar smell or the charger shell is overheated, the charging should be stopped immediately, and the charger should be repaired or replaced.
7. Waste batteries are hazardous chemicals, and should not be disassembled without authorization, and will be recycled by relevant professional departments. In the process of use and storage, pay attention to avoid the entry of foreign objects, especially to avoid the inflow of water or other liquids, so as to avoid short circuit inside the charger.
8. Try not to carry the charger with the car. If you really need to carry it, it should be placed in the toolbox after the shock absorption treatment. Do not disassemble or replace the components in the charger by yourself, especially to avoid the inflow of water or other liquids, so as to avoid short circuit inside the charger.

Riding:

Read the instruction first to know the product performance first.

Don't lend it to someone who is not familiar with it.

Wear a helmet when riding. Obey the traffic rules and don't ride it in the cars road. Don't riding it in the crowded road.

Carry people or items in accordance with the requirements of laws and regulations, and do not park in the building foyer, evacuation stairs, aisles and safe entrances and exits.

Do not charge and park in residential buildings, keep away from combustibles when charging, and the charging time should not be too long. Drive on the right on non-motorized vehicle lanes, downhill slopes and paved roads not exceeding 15km/h, and drive on the right when there is no non-motorized vehicle lane.

When adjusting the handlebars or saddles, be careful not to leak the safety line marks on the handlebars and saddles.

Please check the tire pressure before riding, the recommended tire pressure is 35-45PSI.

Before riding, please check the status of the power circuit, lighting circuit, etc.

Before riding, please check whether the front and rear brakes work normally, check the fastening status of the E-bike handlebars and front and rear wheels, and check whether the reflectors are damaged or polluted.

When using the motor, be careful not to hit it vigorously, and keep the shaft lubricated.

Don't over load. (Max load is 120kg)

When riding in rain or snow, the braking distance will be extended, so pay attention to slow down.

In severe weather such as heavy rain, try to avoid travel.

Suitable for people 16-45 years old. It is strictly forbidden to ride with one hand and people under the age of 16 to drive E-bike on the road.

Maintenance:

1. The E-bike front and back wheel should be at the center of the frame.
2. Put the E-bike up after riding at cool and dry place.
3. It is forbidden to rinse with water, and the surface of the body of the E-bike can be wiped with a semi-dry cloth.
4. Check the Motor and Brake often, don't inject the oil onto the brake.
5. Check the E-bike and screws and places that need fixing, fix it often.
6. Suggested torsion: Bar screws 60-80 kgf.cm, bar stand screws 175-200kgf.cm, wheel screws 320-450kgf.cm.
7. Regularly check the chain tension, which can be adjusted by the chain adjuster.
8. Please check the tire frequently for scratches, cracks or excessive wear. The inner tube and valve should be perpendicular to the wheel hub and not crooked. Accidentally punctured damaged or excessively worn inner and outer tires should be replaced immediately, please seek professional technicians to repair or replace your tires.
9. Bad or excessively worn inner and outer tires should be replaced immediately, please seek professional technicians to repair or replace your tires.
10. It is forbidden to modify key structural parts such as frame, front fork, standpipe and electrical function accessories.
11. Three-guarantee service, any loss or damage caused by modification is at your own risk.

Responsibility Announcement:

- All the product model, type and related information copy right and explain right are reserved.
- This instruction is suitable for denoted models.
- Any changing or replace part of the E-bike will not be informed again.
- No copy, modification, propaganda or publication before getting the permission form KORNORGE .
- Read the instructions and follow the instructions or the user will be responsible for the damage.
- KORNORGE won't be responsible for injuries, casualties and possession damages.
- For more information please visit : www.kornorge.com .