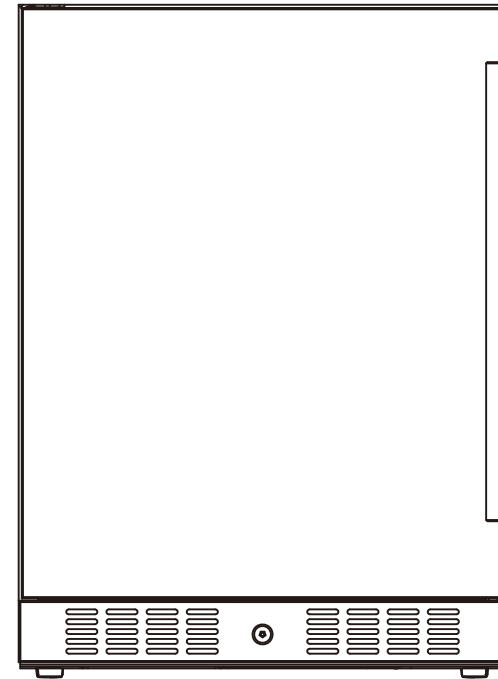




## Indoor/Outdoor Beverage Cooler Manual

### User Manual



We know you don't want to read through this manual, but trust us, there's good information in here.

This instruction manual includes information for the following models:

ART-BC24-L – 147 Cans Outdoor Beverage Cooler

## What to do if something goes wrong?

Many common issues with your wine/beverage cellar can be solved very easily. Try the troubleshooting tips below should you experience any problems.

<b>PROBLEM</b>	<b>POSSIBLE CAUSE</b>
Appliance does not operate.	Not plugged in. The appliance is turned off. The circuit breaker tripped or a fuse has blown out.
Appliance is not cold enough.	Check the temperature control setting. External environment may require a higher setting. (e.g. room needs to be air conditioned) The door is opened too often. The door is not closed completely. The door gasket is not sealing properly.
Appliance is turning on and off frequently.	The room temperature is hotter than normal. The door is opened too often. The door is not closed completely. The temperature control is not set correctly. The door gasket does not seal properly. Your wine or beverage cooler is empty. Load with bottles or cans and the temperature will stabilize in about a day.
The light does not work.	Not plugged in. The circuit breaker tripped or a fuse has blown. The light bulb has burned out. The light button is "OFF".
Vibrations.	Check to assure that the wine/beverage cellar is on a level surface.
The appliance seems to make too much noise.	Contraction and expansion of the inside walls may cause popping and crackling noises. The appliance is not on a level surface.
The door will not close properly.	The appliance is not on a level surface. The door was reversed and not properly installed. The gasket is dirty. The shelves are out of position.

106°F (7°C-41°C). If the ambient temperature falls outside the recommended temperatures, the performance of the unit may be affected. For example, placing your unit in extreme cold or hot conditions may cause interior temperatures to fluctuate. The range of 34°F-53°F (1°C -6°C) may not be reached.

#### How to maintain your cooler

While your new wine or beverage cooler is mostly maintenance free, we recommend the following to keep it looking clean and working properly.

- Turn off the power, unplug the appliance and remove all items including all shelves.
- Wash the inside surfaces with a solution of warm water and baking soda (approximately 2 tablespoons of baking soda for each quart of water.)
- Wash the shelves with a mild detergent solution.
- Wring excess water out of the sponge or cloth when cleaning area of the controls, or any electrical parts.
- Wash the exterior with warm water and mild liquid detergent. Rinse well and dry with a clean soft cloth.
- Vacuum the front grill and back of the unit twice per year. Unplug the beverage cooler before cleaning.
- It is recommended to clean the unit completely inside and out once a year to maximize the longevity of the wine or beverage cooler.

#### Power Loss

- Power failures that are corrected within a few hours should not affect the temperature of your appliance if you minimize the number of times the door is opened. If the power is going to be off for a longer period of time, you need to take other measures to protect your contents.
- If the unit is unplugged, loses power, or is turned off, you must **wait 3 to 5 minutes before restarting**. Attempting to restart the wine/beverage cellar before this time has elapsed may prevent the wine/beverage cellar from starting.

#### Moving Your Appliance

- Remove all items.
- Securely tape down all loose items (shelves) inside your appliance.
- Turn the adjustable leg up to the base to avoid damage.
- Tape the door shut.
- Be sure the appliance stays secure in the upright position during transportation. If your appliance is moved on an incline greater than 30 degrees, you may upset the balance in your compressor and cause damage. Do not do this. Also protect the outside of the appliance with a blanket or similar items.

## IMPORTANT SAFETY PRECAUTIONS



To reduce the risk of fire, electrical shock, or injury when using your appliance, follow these basic precautions:



IF YOU READ NOTHING ELSE IN THIS MANUAL, PLEASE READ THIS

### **Risk of child becoming trapped in wine cooler, beverage cooler, other refrigeration unit or large boxes.**

Junked or abandoned appliances, boxes and other containers are still dangerous, even if they will "just sit in the garage for a few days."

Do the following before you throw away your old wine cooler, beverage cooler or refrigeration unit:

1. Take off the door.
2. Leave the shelves in place so that children cannot climb inside.

**Never** allow children to operate, play with, or crawl inside the appliance.

**Never** clean appliance parts with flammable fluids. The fumes can create a fire hazard or explosion.

Do not store in the vicinity of any other appliance. Do not store near gasoline or any other flammable vapors.

The fumes can create a fire hazard or explosion.

Save these instructions.

## What's in the box?

- Instruction manual
- Handle
- Wire chrome shelves (3 full & 1 half)
- Key

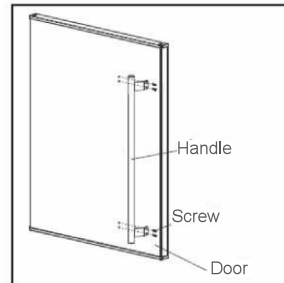
## I received my wine or beverage cooler, now what?

- Your beverage cooler was designed to be built into kitchen or bar cabinets, either indoors or outdoors or it will work just fine as a stand alone appliance. Your choice.
- You should place your wine or beverage cooler on a flat, solid floor that is strong enough to support it when it is fully loaded (300-700 lbs). To level your appliance, adjust the front leveling leg at the bottom of the cabinet.
- Locate the appliance away from direct sunlight and sources of heat (stove, heater, radiator, etc.). Extreme heat or cold will also cause the unit to perform improperly.
- Avoid locating the appliance in damp areas.
- Plug the appliance into a dedicated (for this appliance only), properly installed and grounded outlet. Do not under any circumstances cut or remove the third (grounding) prong from the power cord. Any questions concerning power and/or electrical grounding should be directed to a certified electrician or authorized product service center.

## Handle Installation

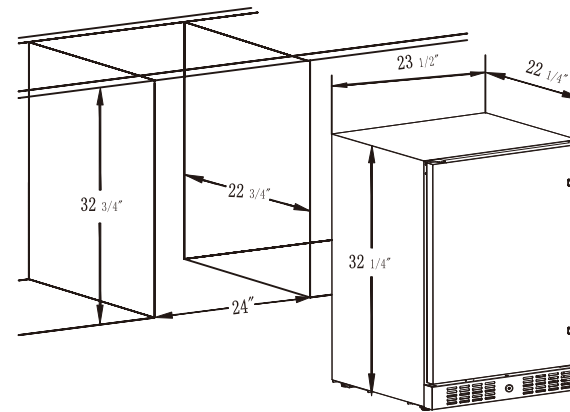
Step 1. Use a Philips head screwdriver, remove the screws on the door where the handle will be installed.

Step 2. Align the handle with the screws removed in step #1. Tighten the screws using a Phillips head screwdriver until the handle is both flush and secured tightly against the front of the door. Do not over-tighten screws as this may cause damage to the stainless steel surface.

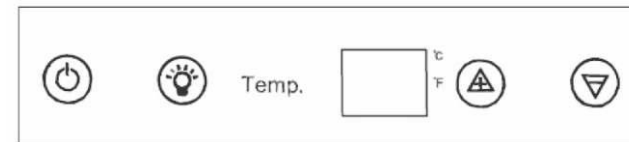


## Installation instructions for built in application

BC-145A1EQ – 147 Can Outdoor Beverage Cooler




Control Panel:



<b>Power:</b>	Turns the wine or beverage cooler on or off.
<b>Lighting:</b>	Turns the interior light on or off.
<b>Display Window:</b>	Displays the set temperature.
<b>Temp. Up:</b>	Increases temperature by 1°.
<b>Temp. Down:</b>	Decreases temperature by 1°.

Your beverage cooler can be set to operating temperatures between 34° - 54° Fahrenheit (1° - 6° Celsius). The temperature can be increased using the temperature increase button or decreased using the temperature decrease button.

You can choose between Fahrenheit and Celsius for the temperature display by pressing and holding the  (light) symbol for 5 seconds. A Fahrenheit or Celsius degree indicator will appear next to the temperature display window

We recommended you install the appliance in a location where the ambient temperature is between 44°F and

After the temperature has been set, the display will flash four times then shows the set temperature of the cabinet.