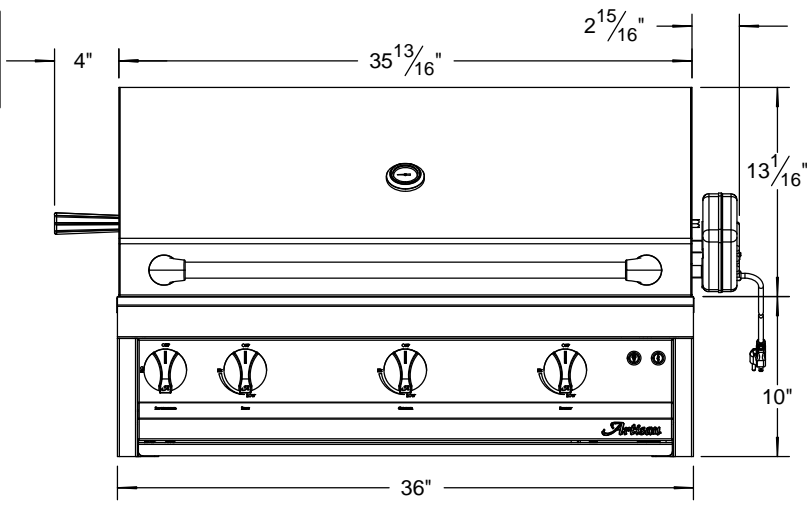
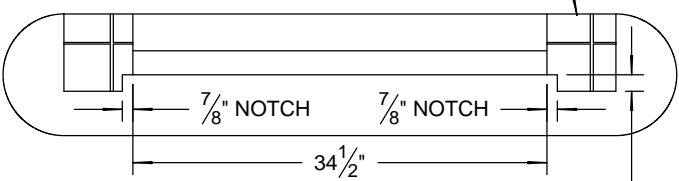
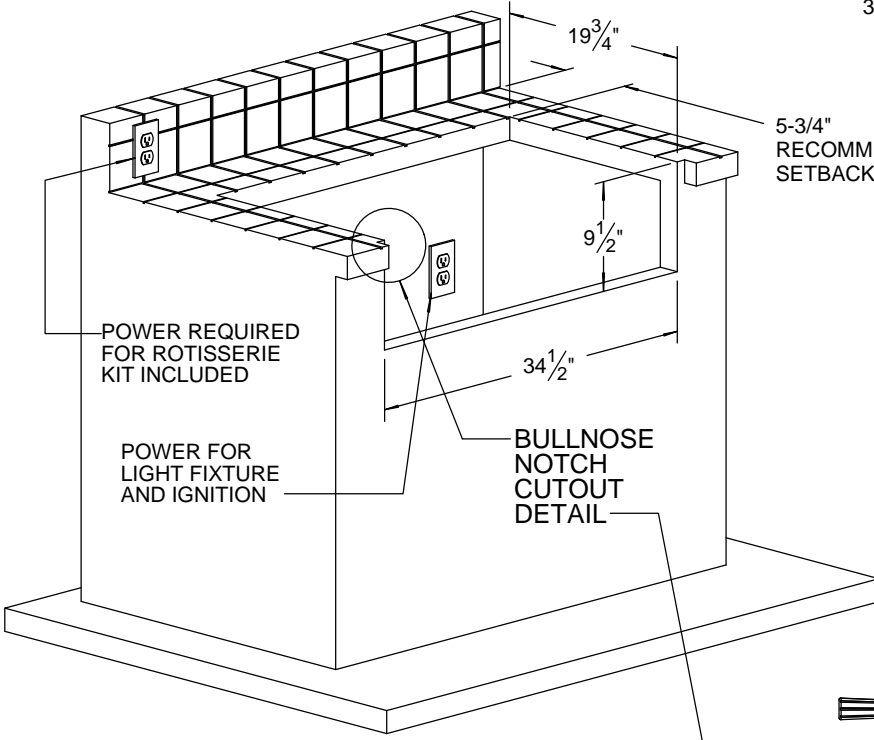


**TYPICAL ARTP-36 INSTALLATION**

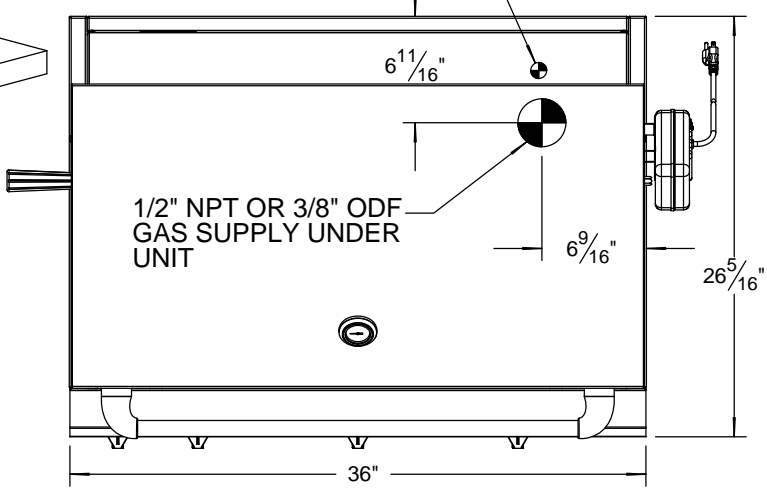
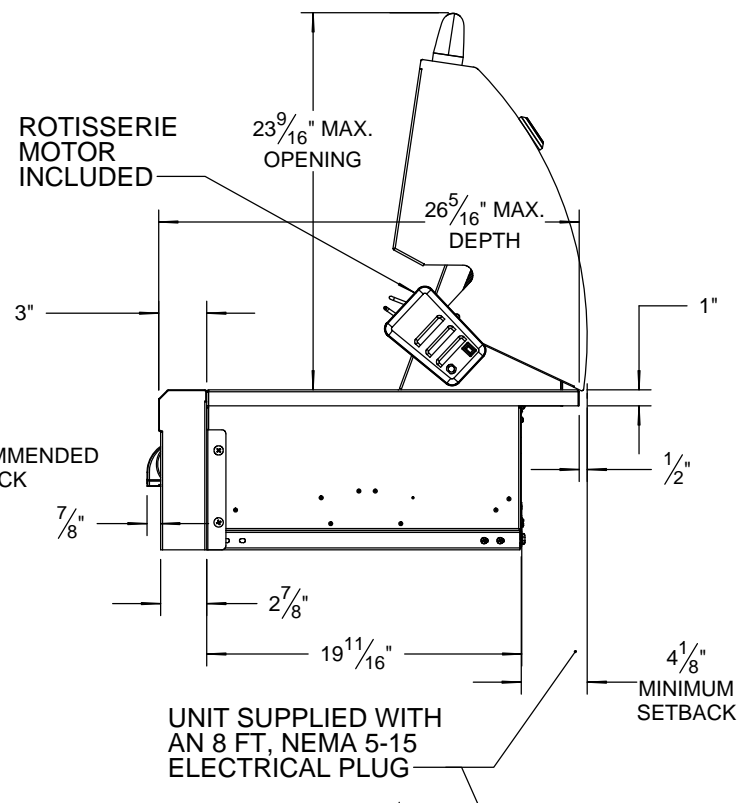


**COUNTERTOP CUTOUT REQUIREMENTS**



**SPECIFICATIONS:**

BTUH = 75,000  
 FUEL NG @ 5 W.C. / LP @ 10 W.C.  
 ELECTRICAL POWER: 115 VAC / 0.71AMPS / 60 Hz.  
 GAS CONNECTION: 1/2" NPT (NG) OR 3/8" ODF (LP)



**NOTE:**  
 COUNTER MUST HAVE THE PROPER GAS SUPPLY AND ELECTRICAL POWER FOR YOUR ARTISAN BBQ.

|  |   |  |  |
|--|---|--|--|
| <p>SUPERIOR EQUIPMENT SOLUTIONS<br/>       7039 EAST SLAUSON AVENUE<br/>       COMMERCE, CA. 90040</p> | <p>THE INFORMATION CONTAINED IN THIS DRAWING IS THE SOLE PROPERTY OF SUPERIOR EQUIPMENT SOLUTIONS INC. ANY REPRODUCTION IN PART OR AS A WHOLE WITHOUT WRITTEN PERMISSION FROM SUPERIOR EQUIPMENT SOLUTIONS, INC. IS PROHIBITED.</p> | <p>PROJECT TITLE:<br/> <b>ARTISAN GRILLS</b></p>         | <p>DRAWING NO.:</p> <p><b>ARTP-36 SPEC SHEET</b></p> |
|  | <p><b>DRAWN BY:</b> Jorge Pelayo<br/> <b>CREATED:</b> Thursday, March 03, 2016</p>  | <p>DRAWING TITLE:<br/> <b>ARTP-36 SPECIFICATIONS</b></p> | <p>SHEET 1 OF 1</p>                                  |