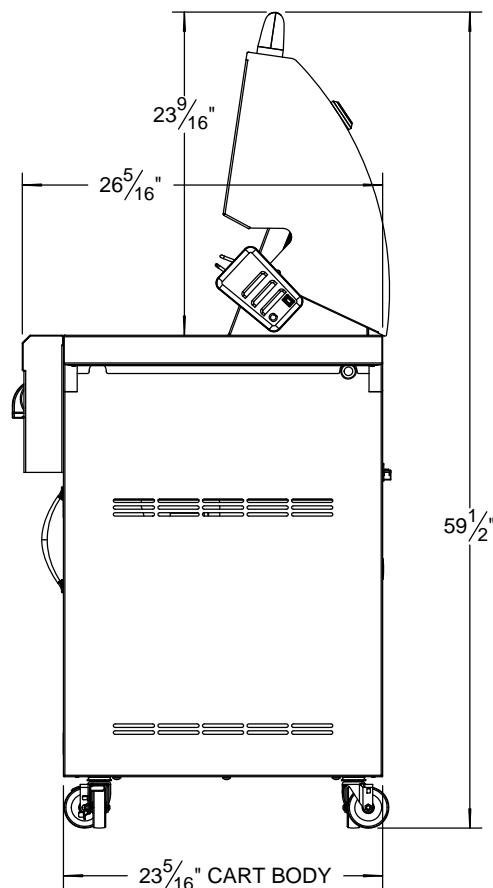
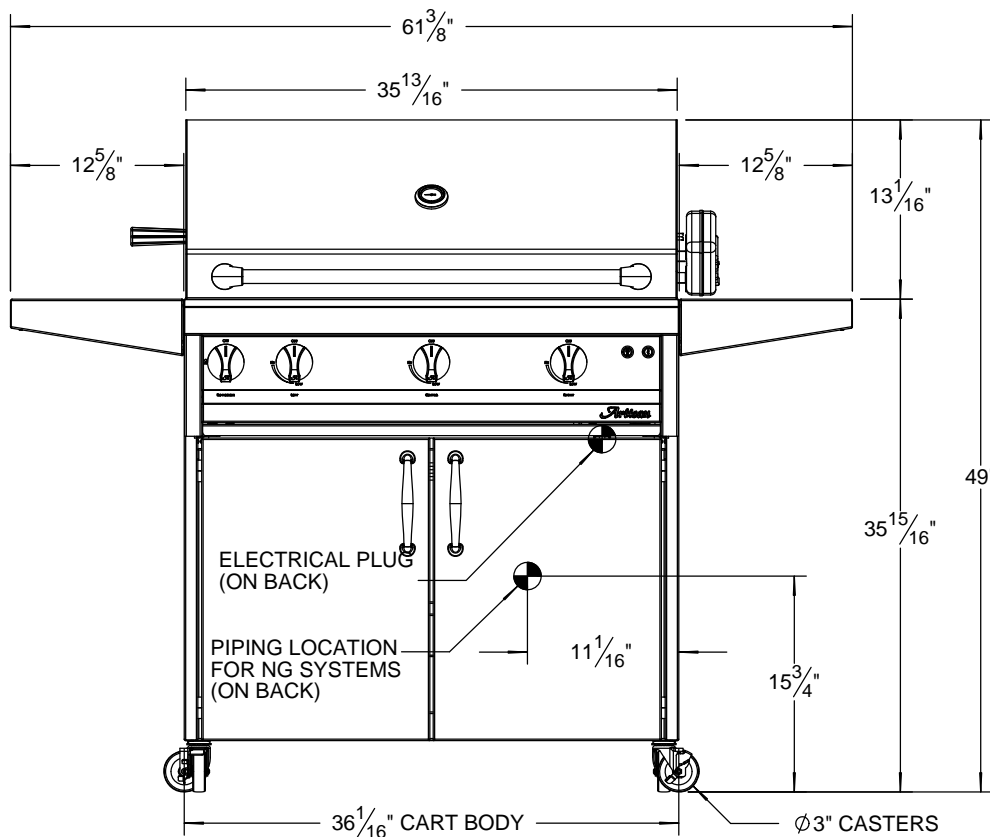


GAS TANK SHOWN AS REFERENCE (CUSTOMER SUPPLIED)

**SPECIFICATIONS:**

BTUH: 75,000  
 FUEL: NG @ 5" W.C. OR LP @ 10" W.C.  
 ELECTRICAL POWER: 115 VAC / 0.71 AMPS / 60 Hz.  
 GAS CONNECTION: 1/2" NPT (NG) OR 3/8" ODF (LP)



**Artisan**

SUPERIOR EQUIPMENT SOLUTIONS  
 7039 EAST SLAUSON AVENUE  
 COMMERCE, CA. 90040

THE INFORMATION CONTAINED IN THIS DRAWING IS THE SOLE PROPERTY OF SUPERIOR EQUIPMENT SOLUTIONS INC. ANY REPRODUCTION IN PART OR AS A WHOLE WITHOUT WRITTEN PERMISSION FROM SUPERIOR EQUIPMENT SOLUTIONS, INC. IS PROHIBITED.

**DRAWN BY:** Jorge Pelayo  
**CREATED:** Tuesday, March 08, 2016

**PROJECT TITLE:**  
**ARTISAN GRILLS**

**DRAWING TITLE:**

**DRAWING NO.:**  
**ARTP-36C SPEC SHEET**