

ROTISSERIE MOTOR INCLUDED

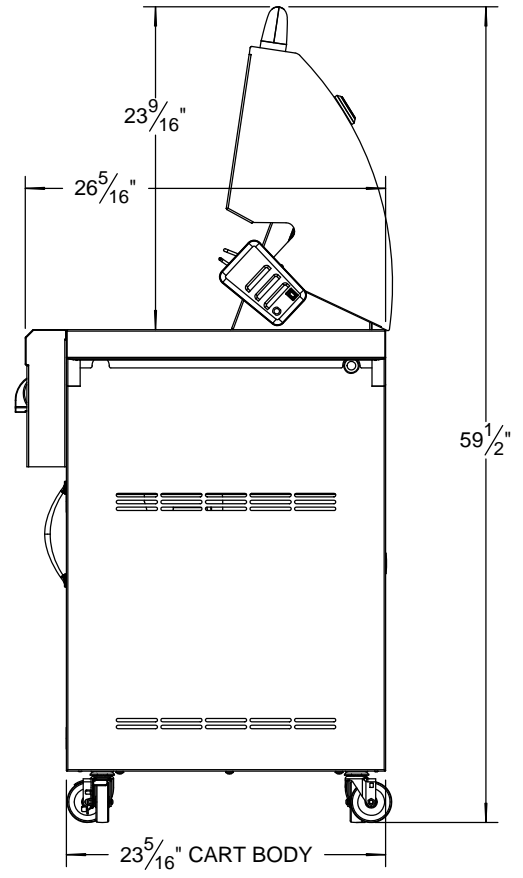
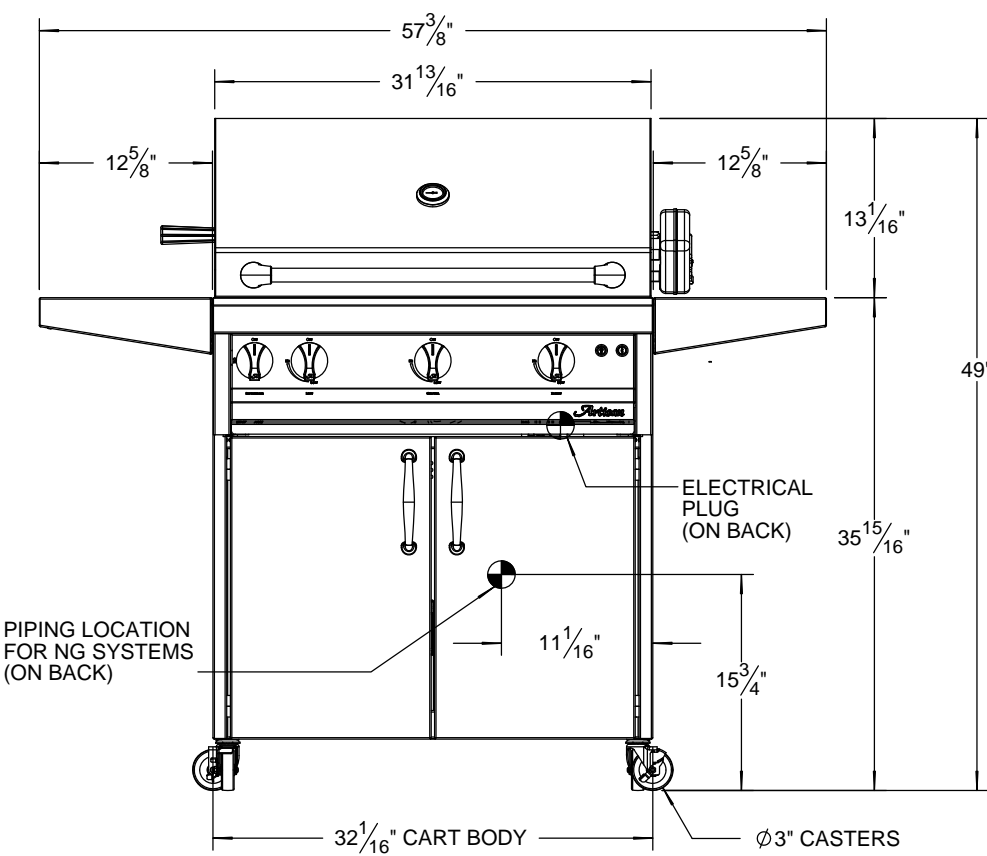
REMOVABLE SHELVES

GAS TANK SHOWN AS REFERENCE (CUSTOMER SUPPLIED)

GAS TANK SLIDING SHELVES INCLUDED

SPECIFICATIONS:

BTUH: 75,000
 FUEL: NG @ 5" W.C. OR LP @ 10" W.C.
 ELECTRICAL POWER: 115 VAC / 0.71 AMPS / 60 Hz.
 GAS CONNECTION: 1/2" NPT (NG) OR 3/8" ODF (LP)



PIPING LOCATION FOR NG SYSTEMS (ON BACK)

ELECTRICAL PLUG (ON BACK)