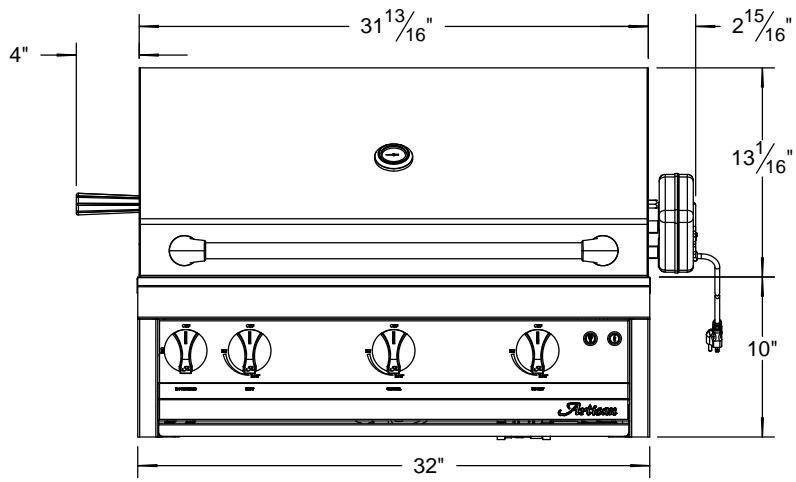
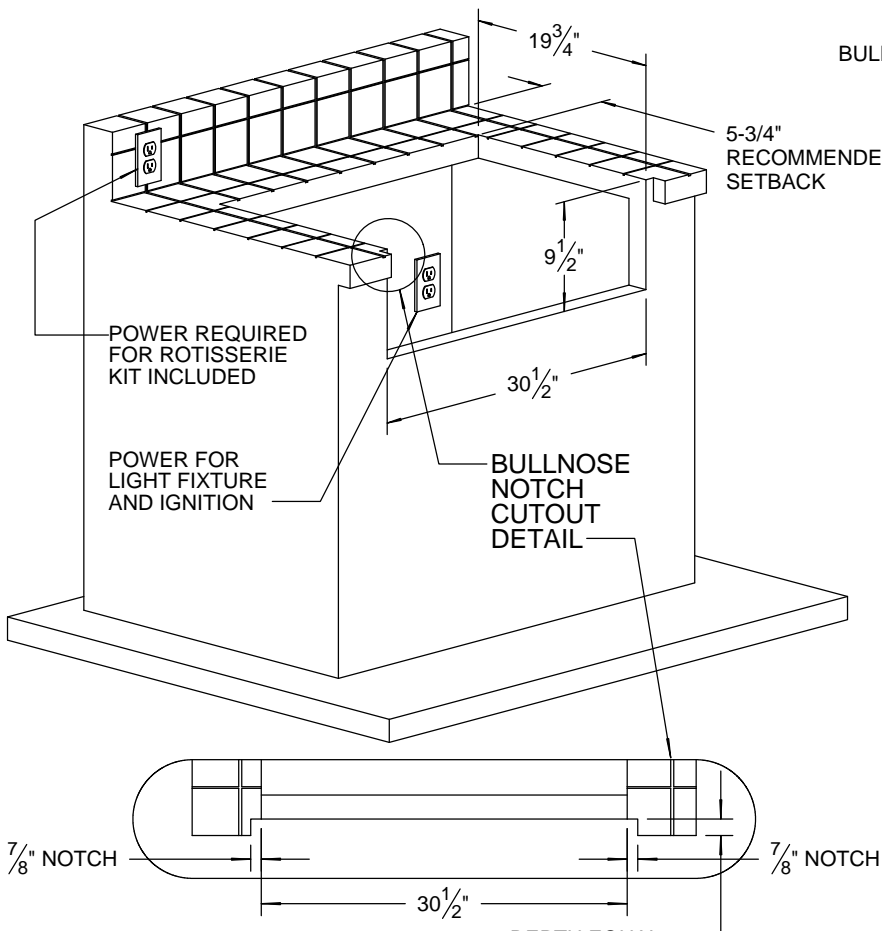


TYPICAL ARTP-32 INSTALLATION

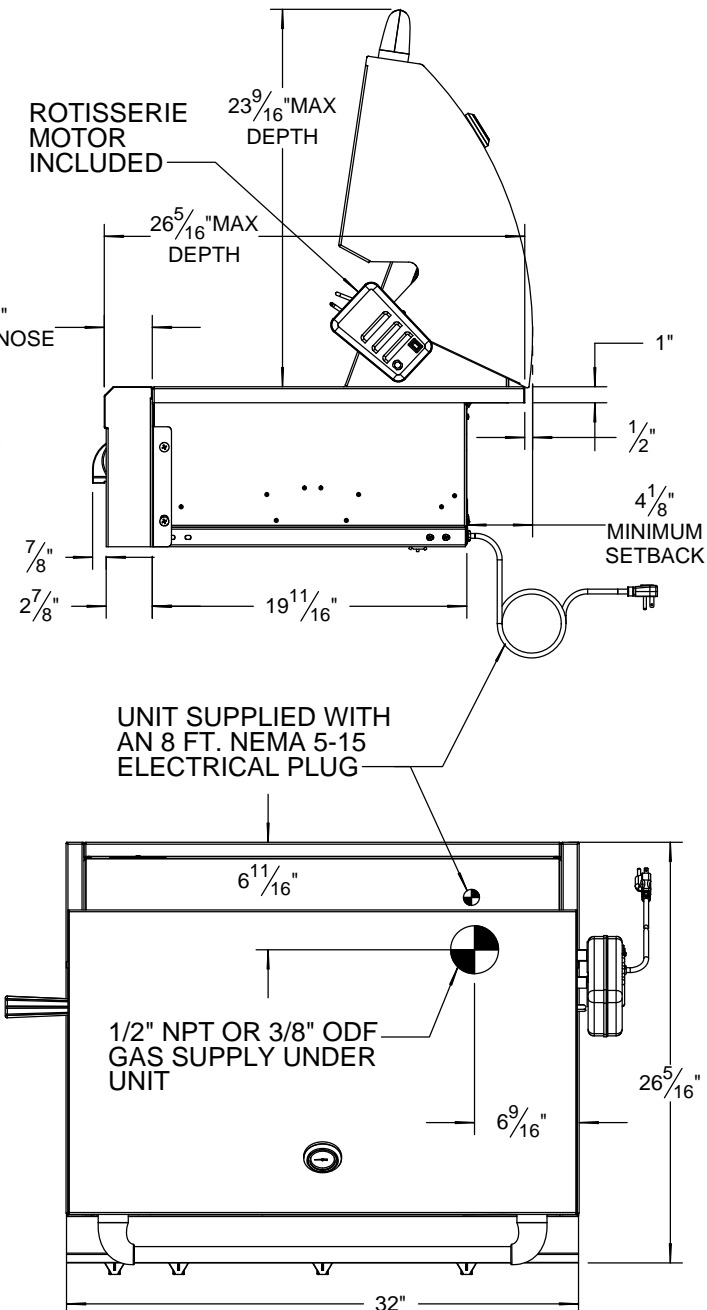


COUNTERTOP CUTOUT REQUIREMENTS



SPECIFICATIONS:

BTUH = 55,000
 FUEL NG @ 5 W.C. / LP @ 10" W.C.
 ELECTRICAL POWER: 115 VAC / 0.71AMPS / 60 Hz.
 GAS CONNECTION: 1/2" NPT (NG) OR 3/8" ODF (LP)



NOTE:
 COUNTER MUST HAVE THE PROPER GAS SUPPLY AND ELECTRICAL POWER FOR YOUR ARTISAN BBQ.