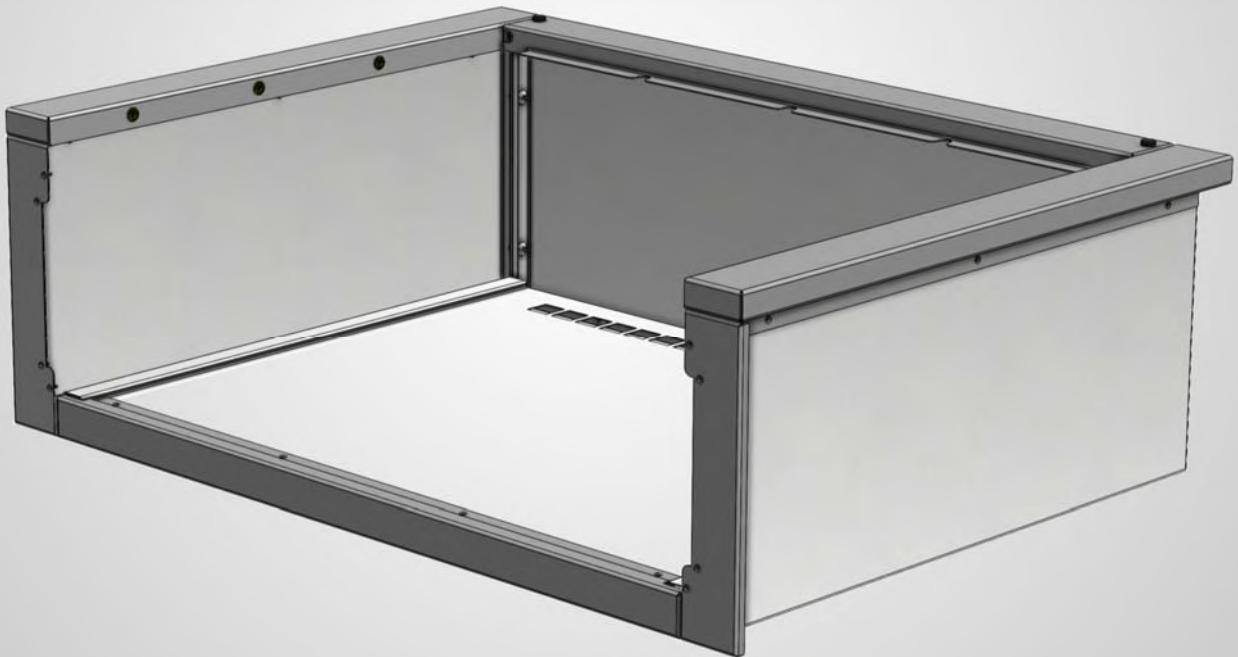


Artisan[™] USA

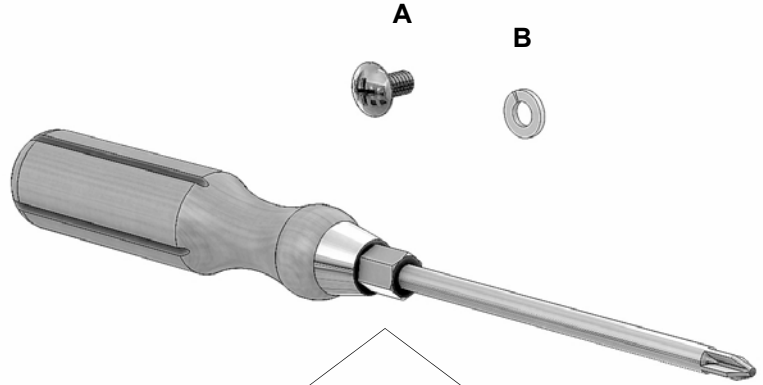
INSULATED JACKETS ASSEMBLY INSTRUCTIONS



For models: ARTIJ-26 / -32 / -36 and -42

COMPONENTS INCLUDED IN THIS KIT:

ITEM	DESCRIPTION:	QTY:
A	1/4-20 x 1/2" SCREW	16
B	1/4" LOCK WASHER	16
~	PANELS AS SHOWN BELOW	4

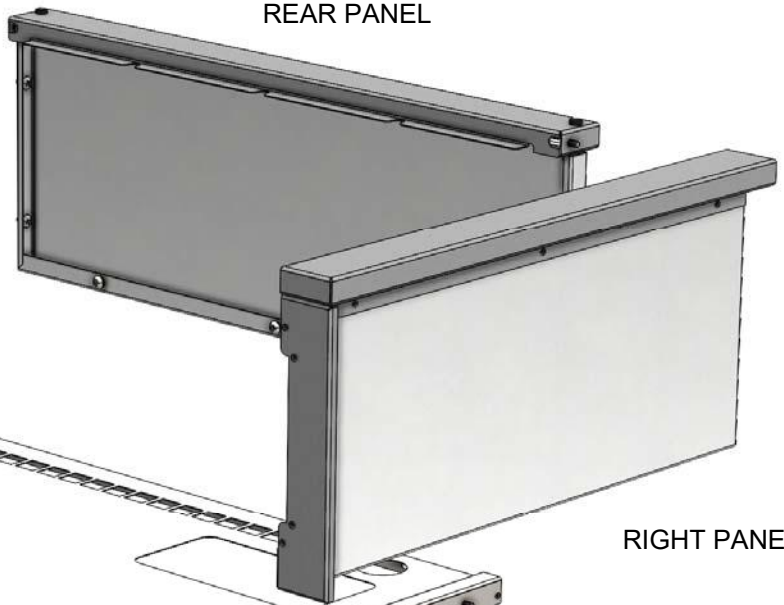


**ITEM NOT INCLUDED AND REQUIRED FOR ASSEMBLY OF THIS UNIT:
STANDARD #2 PHILIPS SCREWDRIVER**

LEFT PANEL

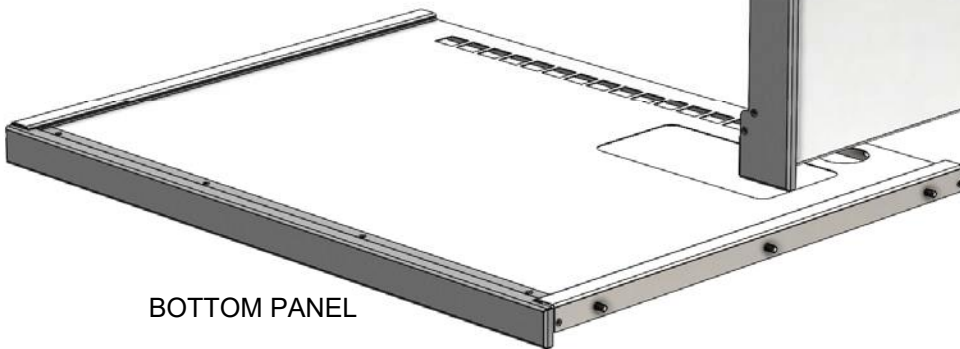


REAR PANEL



RIGHT PANEL

BOTTOM PANEL



STEP 1:

Assemble your *Artisan*[™] insulated jacket by attaching the LEFT PANEL to the BOTTOM PANEL with 3 screws and 3 lock washers in the lower section of the left panel.

TIP: Do not tighten the screws at this time. Leave them loose for easier assembly and fasten all screws as a final step.

STEP 2:

Continue by attaching the RIGHT PANEL to the BOTTOM PANEL as indicated on step 1.

STEP 3:

Assemble the BACK PANEL and attach it to the BOTTOM PANEL with 3 screws and 3 lock washers.

You can now attach the BACK PANEL to the SIDE PANELS (left and right) with 2 screws and 2 washers in the center section.

There are 2 more additional screws and lock washers to install in the upper section (CAP) of the back panel. Install the CAP screws and washers.

Align the SIDE PANEL CAPS with the BACK PANEL CAP and tighten the top CAP screws first.

STEP 4:

Tighten up all the screws in the assembly while making sure all front faces are flush to each other. (See figure # 1)

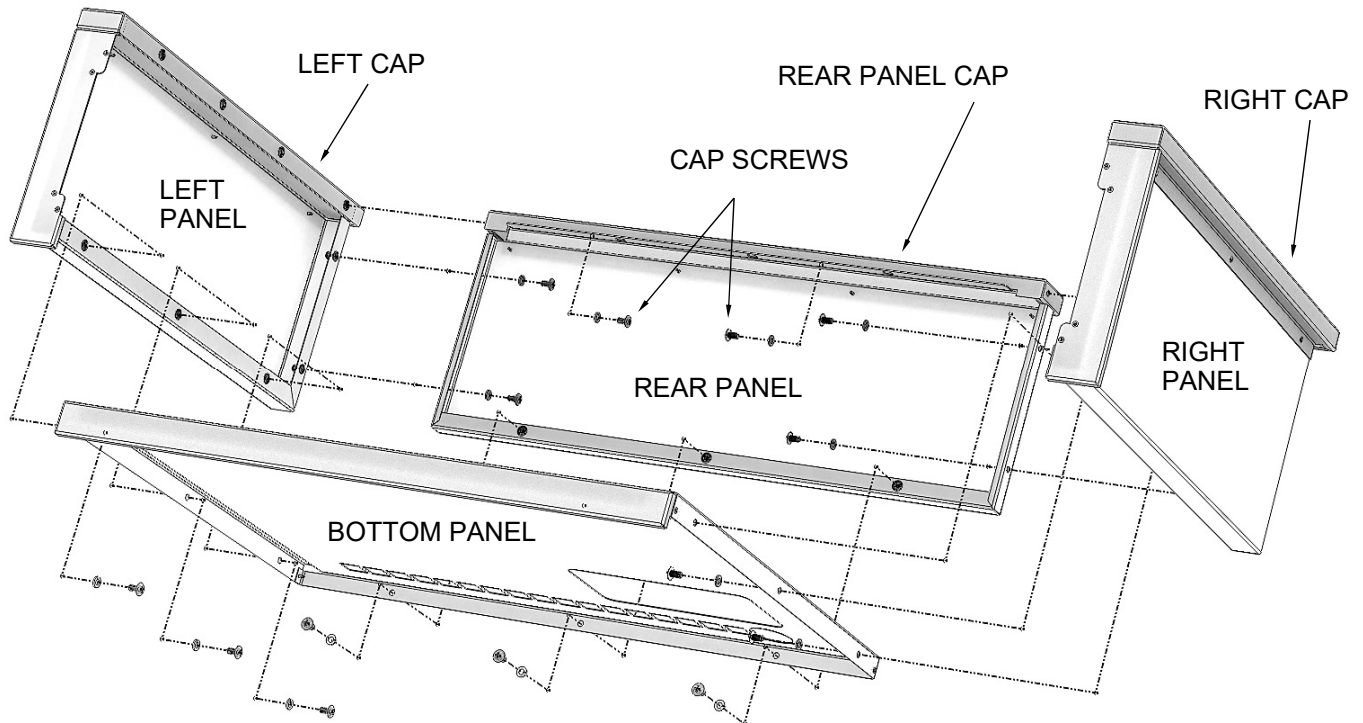


Figure # 1

STEP 5:

Prepare to install your *Artisan*[™] BBQ into the insulated jacket assembly by removing the countertop support ring attached to the firebox of the BBQ.

Access these screws by removing the grill cooking grates and setting them aside.

The countertop support ring is attached with 3 screws on each side of the firebox. (See Figure # 2)

Save these 6 screws as they will be needed later.

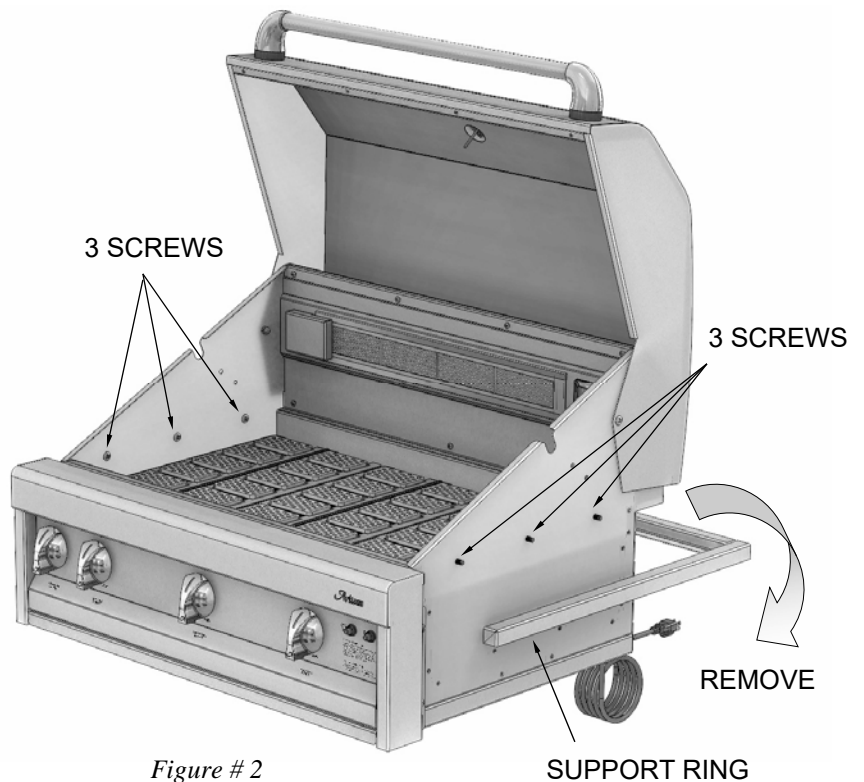


Figure # 2

STEP 6:

Insert the *Artisan*[™] BBQ inside the insulated jacket by sliding it over the support rails located on the BOTTOM PANEL. (See Figure # 3)

Secure the BBQ firebox to the insulated jacket by re-installing the 6 screws saved from the countertop support ring as shown on the previous step above.

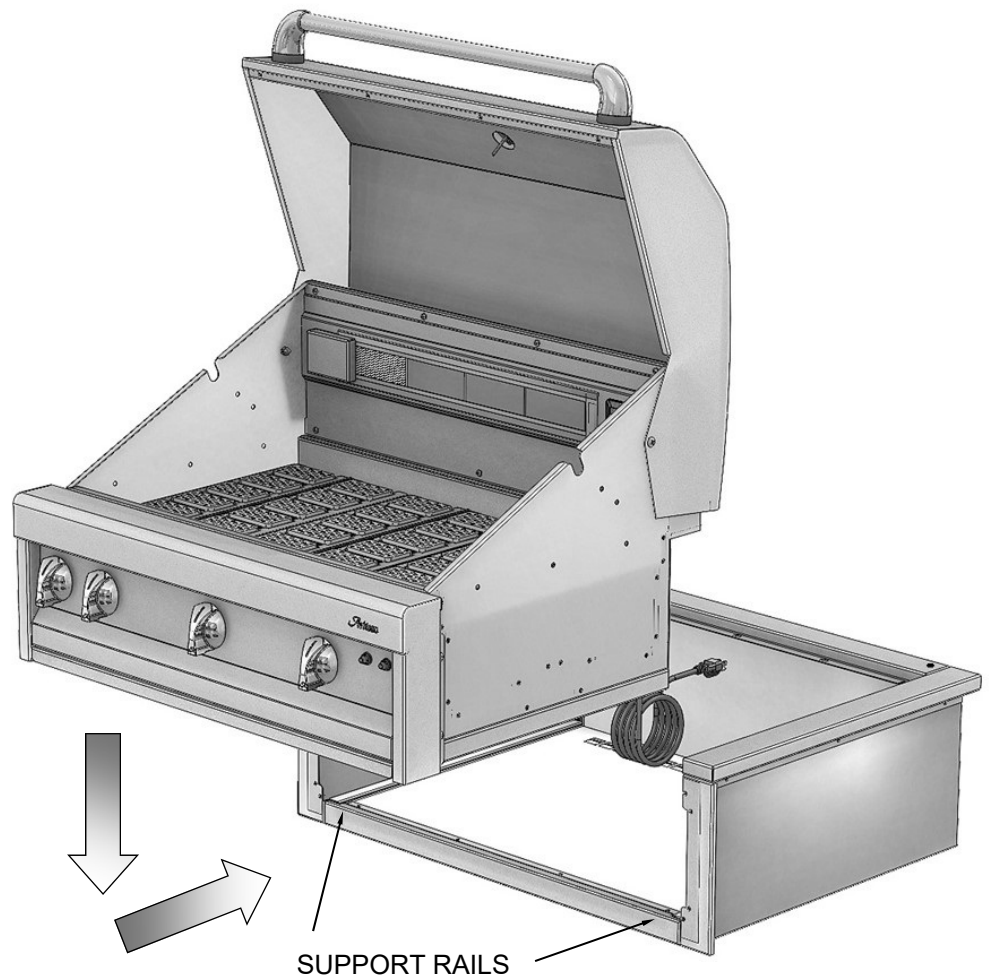


Figure # 3

STEP 7:

On 32" and 36" *Artisan*[™] BBQ units there is a power cable that is required for the standard light.

The cable can be fed through the round hole that is directly below the BBQ electrical box.

The large rectangular cutout opening is meant for the fuel connection (NG or LP Fuel).

NOTE: Refer to the *Artisan*[™] BBQ manual for the proper fuel connections.

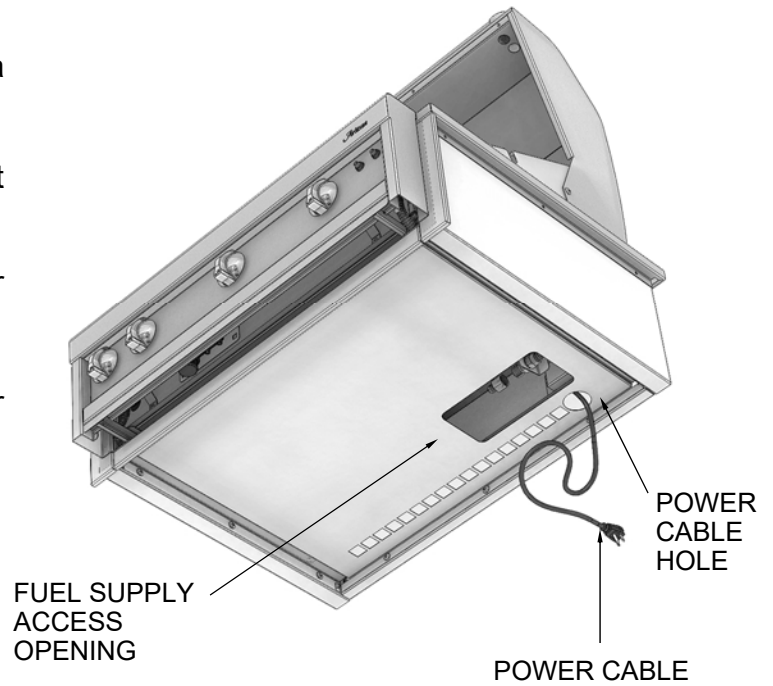


Figure # 4

STEP 8:

You can now install the *Artisan*[™] BBQ with the insulated jacket in your countertop and secure it with a bead of clear silicone around the top perimeter.

NOTE: Alternatively, you can install the insulated jacket by itself onto the countertop as a first step and then install the BBQ into the insulated jacket for final assembly.



