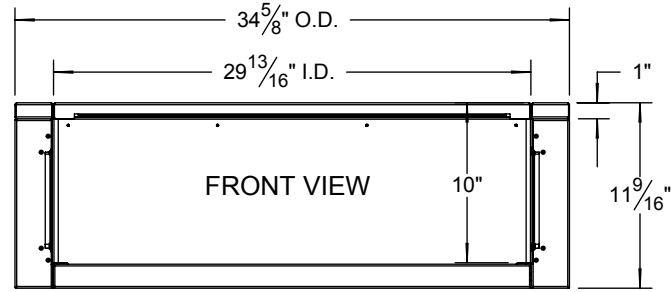
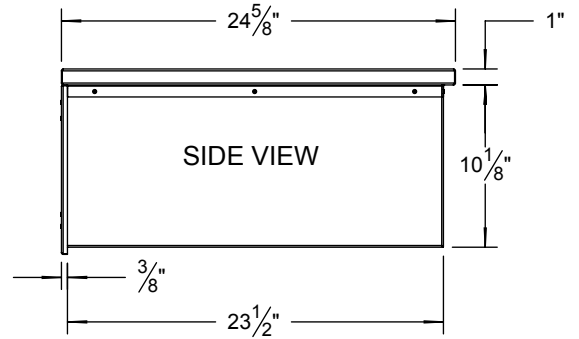


ARTIJ-32 UNIT

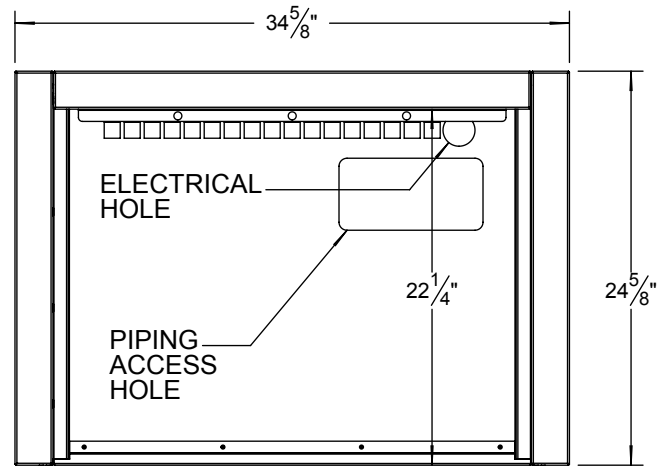
TYPICAL ARTIJ-32 INSTALLATION



FRONT VIEW



SIDE VIEW

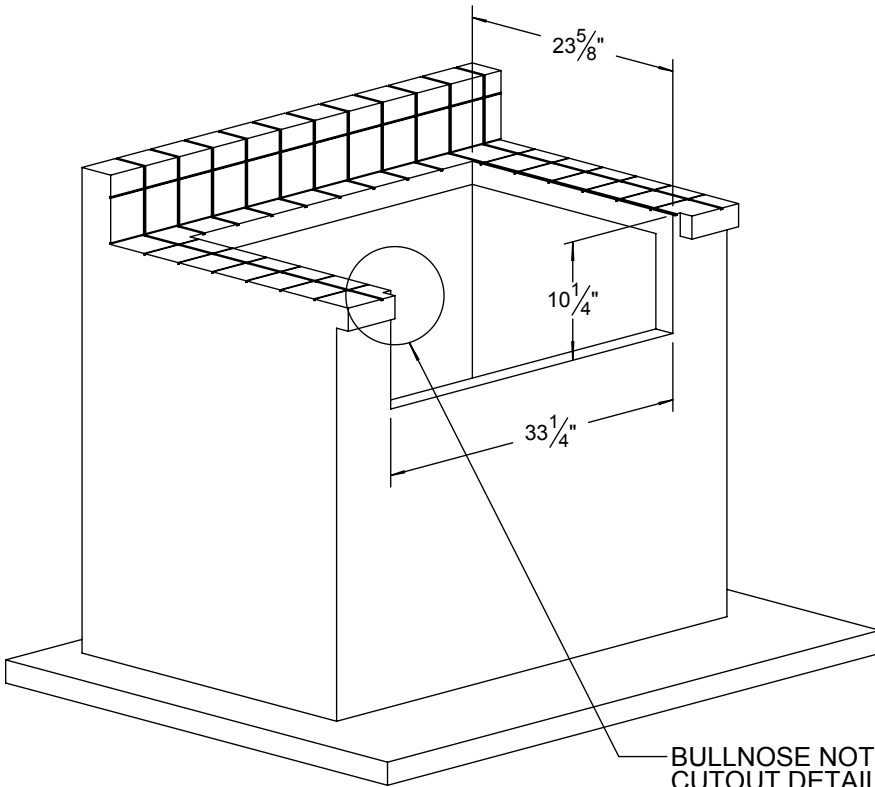


ELECTRICAL HOLE

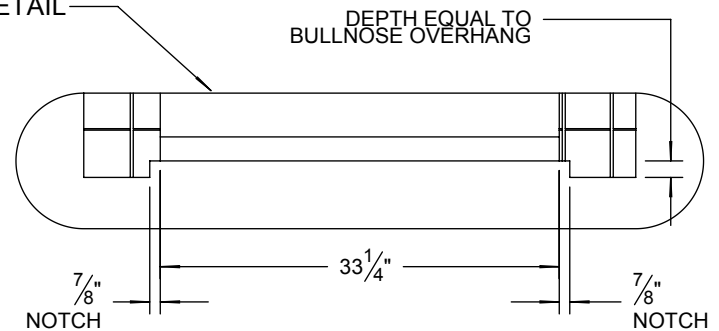
PIPING ACCESS HOLE

TOP VIEW

COUNTERTOP CUTOUT REQUIREMENTS



BULLNOSE NOTCH CUTOUT DETAIL



DEPTH EQUAL TO BULLNOSE OVERHANG

7/8" NOTCH

7/8" NOTCH

NOTE:

COUNTER MUST HAVE THE PROPER GAS SUPPLY AND ELECTRICAL POWER FOR YOUR ARTISAN BBQ MODEL. REFER TO YOUR UNIT'S MANUAL OR SERIAL PLATE INFORMATION.