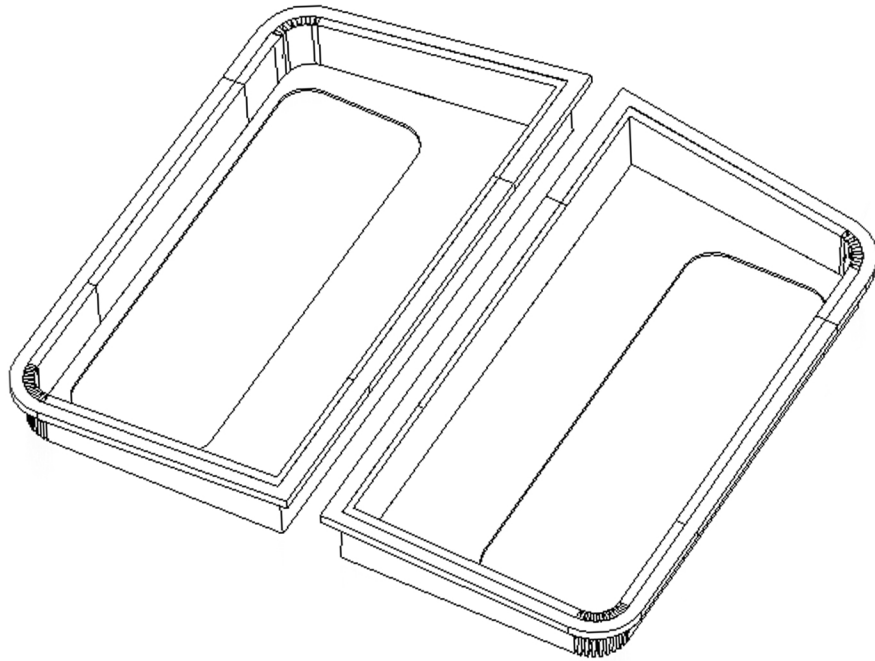


# VS Capsule Trim Ring - Sprinter 170



**Material:**  
Natural Maple wood veneer on plywood Core



**Installation:**  
2 people  
1 Hour



**Weight**  
25lb - 40lb (11kg - 18kg)

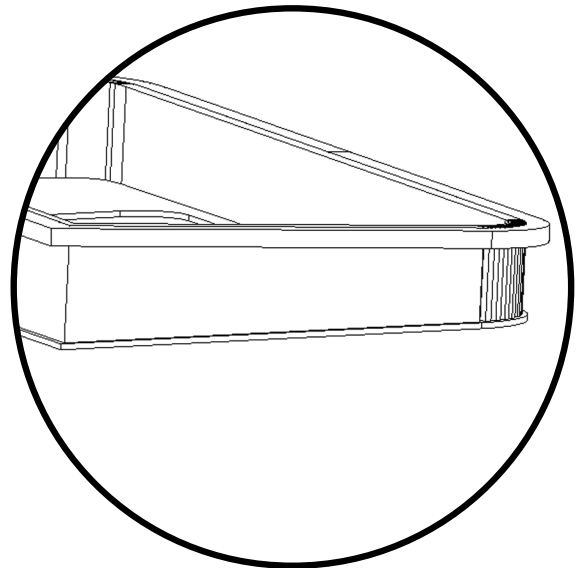


**Size:**  
Full Width x Full Height  
39" x 24" x 4.5" - 5.5"

## Perfect Fit

Our VS Capsule trim rings are contoured for a perfect match to your capsule interior profile at each corner. Factory rivet nut alignment ensure proper depth, angle, and position.

These capsules are compatible with any wall panel kit that fastens directly to your vehicle wall using rivet nuts or similar fastening method.



These Trim Rings must be fastened properly to the walls of the vehicle to avoid damage or injury. You are responsible for ensuring that this product is fastened using rivet-nuts or other fastening method equal in strength. Modification to this unit may affect the structural strength of the unit. Avoid making large cuts on ring walls as this may weaken the ring strength. You are responsible for ensuring proper wiring and insulation when wiring your build as faulty wiring may create a fire hazard.



# Serg Supply