

# REAR DOOR PANEL KIT

Installation Guide

[www.sergsupply.com](http://www.sergsupply.com)

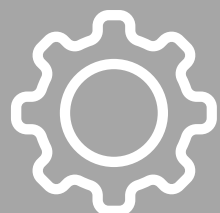


Thank you for choosing Serg Supply for your Rear Door Panel Kit. This product is typically installed in **1 Day** by most DIY builders and in **4-6 Hours** for professional builders.

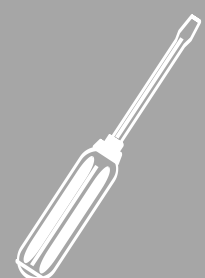
What you will need to get started:



Power Drill  
With Phillips Drive



Rivet Nut Tool  
With 1/4"-20 Thread Pattern



Screwdriver  
With Phillips drive



A Helping Hand  
Buy them lunch!



**Disclaimer!**

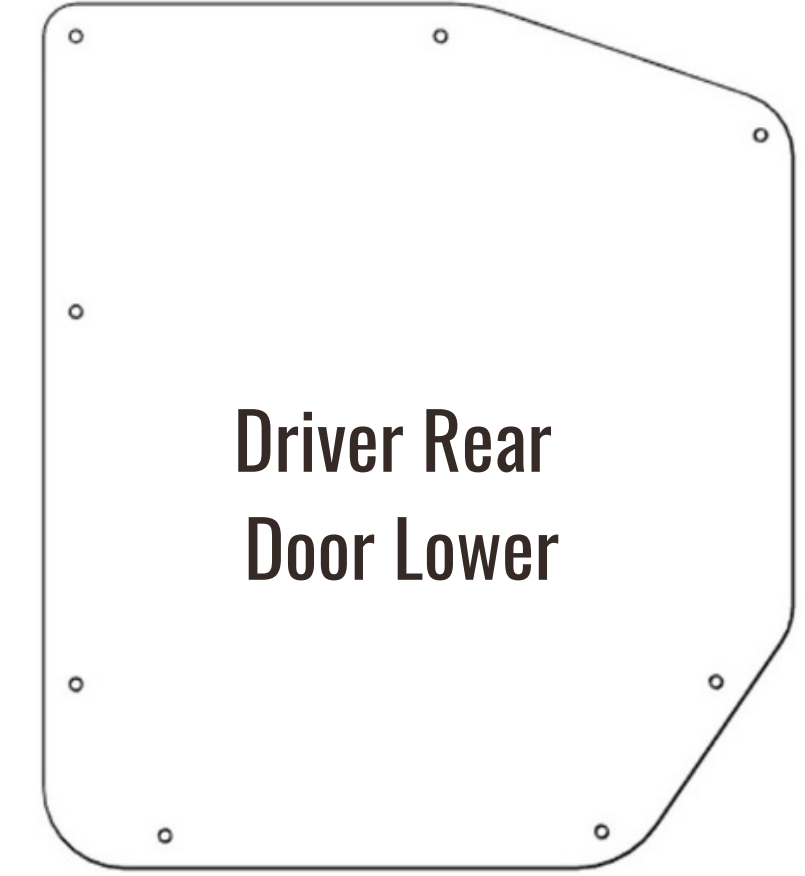


This kit must be fastened properly to the walls of the vehicle to avoid damage or injury. You are responsible for ensuring that this kit is fastened using rivet nuts or other fastening method equal in strength. Modification to this unit may affect the structural strength of the unit. Avoid making large cuts on wall panels, partitions, or beams as this may weaken the vehicle. You are responsible for ensuring proper wiring and insulation when wiring your build as faulty wiring may create a fire hazard. Any cabinetry or load-bearing components need to be mounted to the vehicle and not to the wall panels alone.



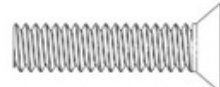

## What's Included:

- Rear Door Panels
- Installation Hardware

## Layout:



## Installation Hardware Packing List:

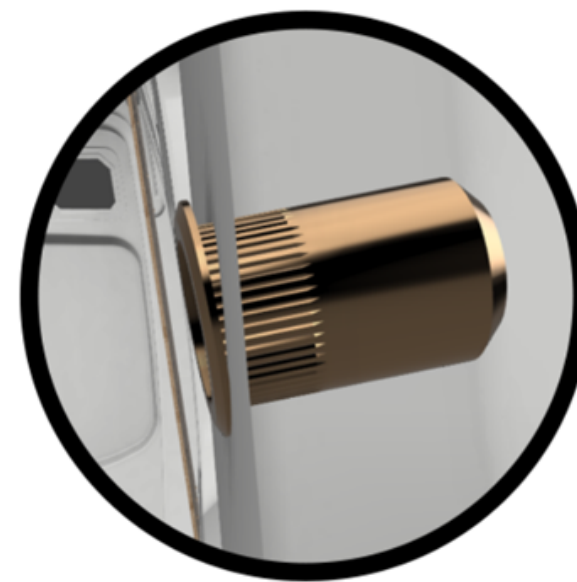
	Item		Quantity	
1	Rivet Nut		24 + 5	<input type="checkbox"/>
2	Washer		24 + 5	<input type="checkbox"/>
3	1" Machine Screw		24 + 5	<input type="checkbox"/>
4	3/8" STEP BIT		1	<input type="checkbox"/>

# Pre-Installation Tips

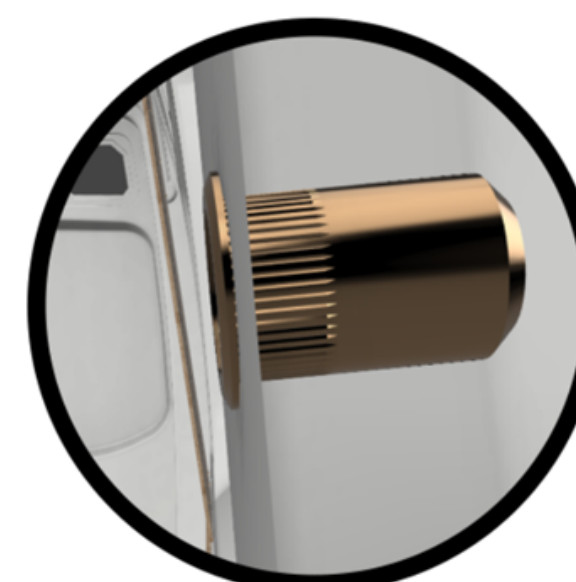
1. Get a helping hand. This installation is dramatically easier with someone to help you out and offer good company.
2. You'll need a power drill, screwdriver with Hex bits, and a drill bit set with assorted bits.
3. **NOT ALL VANS ARE MADE EQUAL!** Sometimes holes differ in exact position from van-to-van. This could be seen as 1-2mm difference in smaller panels and up to 5mm difference in larger panels. You will need to bore out the holes to fit properly in these cases. While you may use the 9mm bit included to widen these holes, generally a **burring Dremel head** is the most effective.
4. Undo the wiring harness clip inserts along the driver side wall of the vehicle as these will get in the way of the panels.

# Rivet Nuts & Proper Threading

- Mark the proper holes with a permanent marker all at once before beginning to drill them out to size with the included drill bit.
- **Be very careful** not to apply too much pressure and keep the drill at a low speed to avoid damaging the outer shell of your vehicle. The drill bit tends to catch the metal and slam the bit into the sidewall of the van if you're not careful.
- Once all holes are drilled out, begin installing the rivet nuts. Be sure that the rivet nut is installed perpendicular to the surface as threading screws in at an angle may cross-thread the rivet nut.



Improper Angle



Proper Angle



Improper Angle



Proper Angle

- Take extra care to ensure the screw is threaded straight and not at an angle. Threading the screw at any angle may cross thread the rivet nut.
- Once all rivet nuts are installed, begin threading on your wall screws with a screwdriver. Use 1" screws for all panels. **Never use power tools to thread machine screws.**
- Always use finish washers when doing final installation. These act to cover any re-sized holes and prevent the screws from loosening over time.
- The panels are designed to fit factory holes throughout the vehicle. Line up the panel up against the area it covers to approximate the holes you'll need to apply rivet nuts into.

# Installing Rear Door Panels:

Thread the machine screws by hand into your rivet nuts as to avoid cross-threading. If you have an older model sprinter, you may note that the appearance of your lower panels varies slightly.

**Note:** You may always add more rivet nuts if you need extra mounting on specific panels. You can use existing factory holes or make your own new fastening points.





## If The Holes Do Not Line Up

As mentioned above, each van has mild variation. If you notice the center of a rivet nut is not centered with the holes, try the following:

- If you can thread the screw on without cross threading, give it a try.
- Loosening all installed screws and moving the panel into position to thread the misaligned screw.
- If there's no way to thread the screw, note the position of the rivet nut relative to the hole.
- If it is just hardly off center, use a burr Dremel bit or drill bit (up to 1/2") to bore out the hole so that it may line up. We've included large finish washers to cover this in case it happens during your install.