

⚠ WARNING

TO REDUCE THE RISK OF INJURY, USER
MUST READ INSTRUCTION MANUAL
BEFORE OPERATING PRODUCT.

PLEASE DO NOT RETURN TO STORE.
ALTON IS HERE TO HELP.

Helpline:
1-888-899-0146

Alton Industry Ltd. Group
Manufactured by: Alton Industry Ltd.Group
643 Innovation Drive West Chicago, IL 60185

For more information, please visit

www.ecowell.com

MADE IN CHINA



Ecowell™
LULU™
QUICK CLEAN

**WET/DRY
VACUUM
& WASH**

SKU#: P04

Model#: B63



USER MANUAL

Read and understand this instruction manual thoroughly before using the product. It contains important information for your safety as well as operating and maintenance advice.



**4
-
1
-
2
-
1**

Content

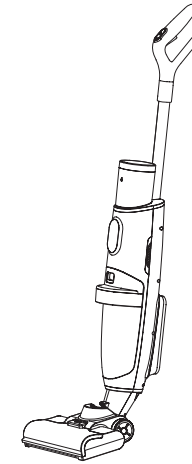
Safety Instructions	02
Packing List	03
Product View	04
Digital Light	05
Product Installation	06
How to Use	08
Product Maintenance and Care	10
Product Specifications	11
Cleaning / Replacement Frequency Recommended	12
Trouble Shooting	13
Fault Code Table	14
Name and Content of Hazardous Substances	15
Recycling	16

Safety Instructions

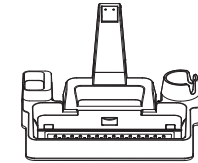
- 1 Users are forbidden to disassemble this product; otherwise it may cause danger.
- 2 Before cleaning or maintaining this product, please be sure to unplug and turn off the power.
- 3 Do not touch the socket, power adapter, or display when hands are wet to avoid the risk of electric shock.
- 4 Please use the power adapter specifically for this product when charging. Using other power adapter charging may lead to damage to the product.
- 5 If the power adapter is damaged, please stop using it immediately and contact our professional maintenance personnel for replacement.
- 6 This product is not intended for use by people with physical, sensory or intellectual impairments or people lacking experience and common sense (including children), unless supervised or instructed by others to ensure that they can use it safely.
- 7 When using, if you find signs of machine leakage or excessive motor temperature, such as the body overheating, strange noise, odor, and other problems, please immediately stop using, and contact our after-sales service department for help.
- 8 Do not get the machine wet; otherwise there is a risk of fire and electric shock due to short-circuiting of the machine.
- 9 Do not block the air inlet or outlet, so as not to overheat the machine.
- 10 Do not soak the machine in water, so as not to burn the machine.
- 11 Do not shake or collide the machine violently to avoid the inflow of sewage into the motor.
- 12 When moving the machine, please keep the machine upright so that the sewage will not flow into the motor.
- 13 Do not use when the clean water tank and dirty water tank are not installed.
- 14 Please do not use in an environment lower than -10°C or higher than 45°C .
- 15 This product is only suitable for use in the home environment, not for industrial environments or outdoors.
- 16 This product is suitable for use on hard floors in the home environment, such as marble floors, wooden floors, tile floors, solid wood floors, and laminate floors.
- 17 Do not use this product to clean unextinguished heat sources, such as cigarette butts or matches, to avoid fire.
- 18 Do not use this product to clean flammable and explosive or highly volatile liquids, such as gasoline, kerosene, paint, perfume, etc., which may lead to short circuit, or explosion.
- 19 Do not use this product to clean the color powder or toner used inside a laser printer or copier to avoid fire or explosion.
- 20 Do not use this product to clean sharp objects, such as glass fragments, nails, tacks, paper clips, stones and other items, to avoid damage to the product.
- 21 Do not use this product to clean strong stains such as pigments, paints, shoe polish, etc.
- 22 Please do not use this product to clean foam liquid, so as not to cause damage to the motor.
- 23 Cleaning fluid should be placed out of reach from children.
- 24 Please follow the floor cleaning liquid label instructions to use the cleaning liquid.
- 25 Please do not add alcohol in the clean water tank.

Packing List

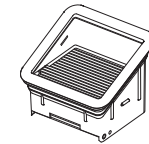
Before using this product, please check if the package contains the following accessories, if any is missing, please contact customer service. Below images are for reference only, please refer to the actual product received.



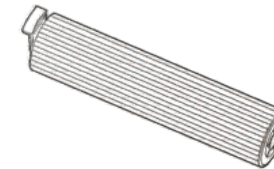
Main body x1



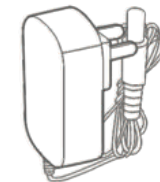
Self-cleaning and charging station x1



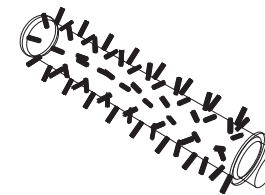
HEPA x1



Roller x1



Adapter x1



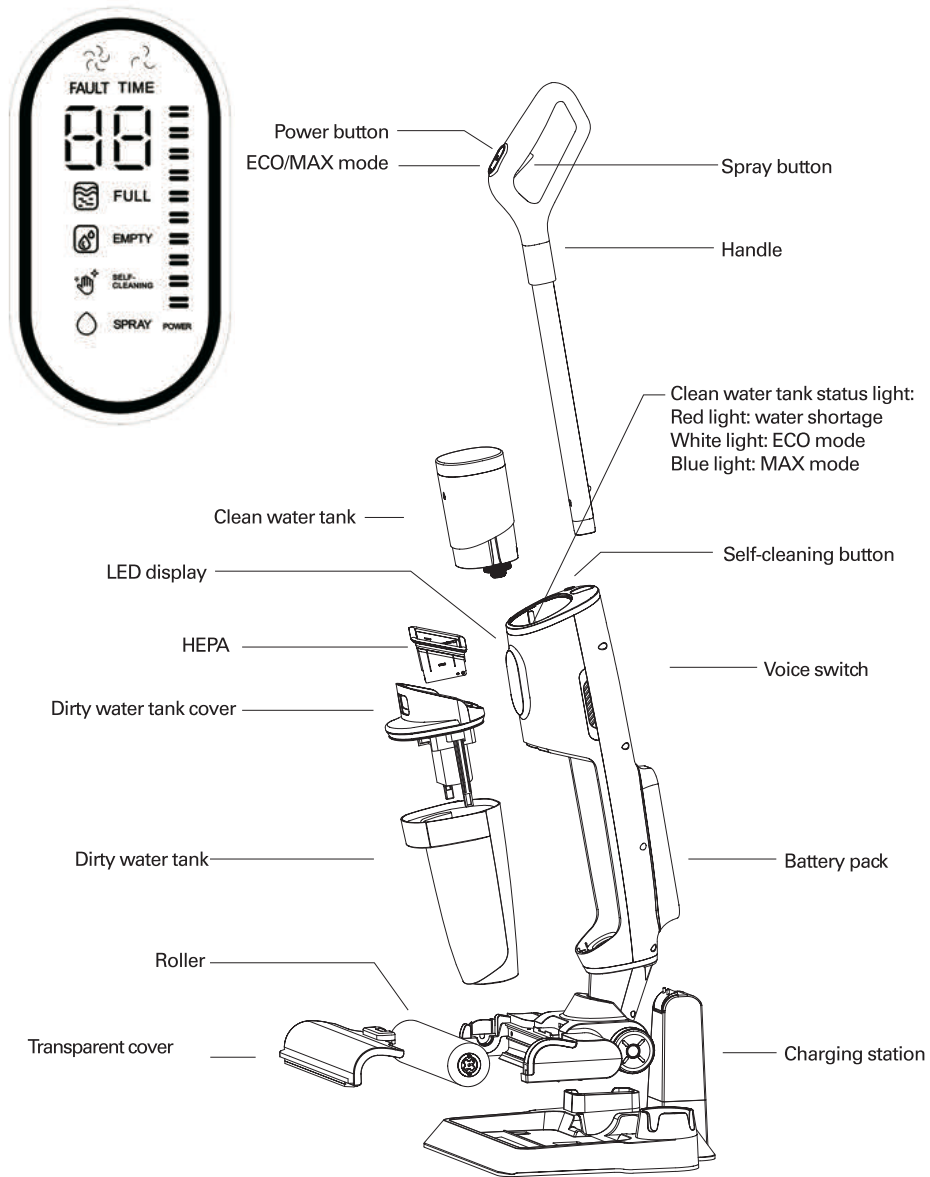
Bristle roller x1











Cleaning tool

(Suitable for cleaning the dirty water tank and the tangled hair on the roller)

Product View



Digital Light

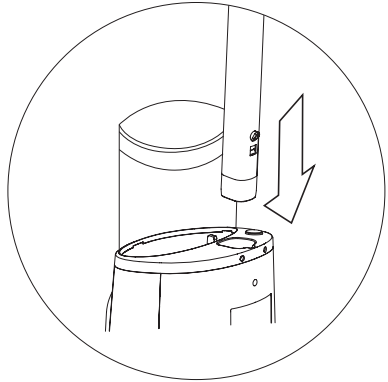
	The indicator will light up white when the cleaner is in ECO Mode.
	The indicator will light up white when the cleaner is in MAX Mode.
	When the cleaner is doing normal cleaning, it shows the working time from "switching on" to "now".
	When the cleaner is in self-cleaning mode, it shows the self-cleaning count down from "59" to "0".
	When the cleaner runs faulty, it shows the faulty code to help identify the problem.
	The indicator will flash RED slowly when dirty water tank is full. Please empty the dirty watertank in time.
	The indicator will flash RED slowly when clean water tank is short of water. Please fill up with clean water.
	The indicator will light up WHITE when the cleaner is in Self-Cleaning Mode.
	Battery indicator: flashes white slowly when charging and will stop flashing after fully charged.
	The indicator will light up WHITE when user is manually spraying water.

The indicators and the display may be slightly different with the final product; please subject to the actual product.

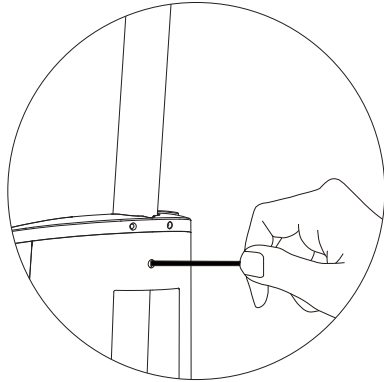
Product Installation

1. Handle installation and disassembly

1.1 Installation: Insert the handle connection tube to the body component port, and hear the "click" sound to mark the installation in place.



1.2 Disassembly: Use a suitable size screwdriver or Allen key, insert into the thin hole located in the upper back of the body, and press while lifting the handle up.



2. Clean water tank installation

2.1 Unscrew the cover of the clean water tank in accordance with the figure below. Then load the clean water and tighten the cover of the clean water tank clockwise in accordance with the Figure.

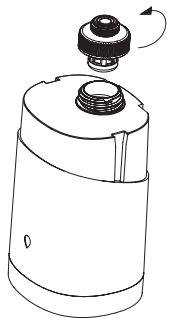


Figure2.1

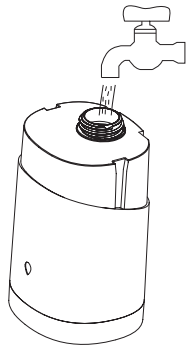


Figure2.2

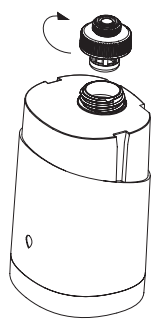


Figure2.3

2.3 Put it into the clean water tank in accordance with Figure 2.4, and hear a "click" to indicate that the installation is in place.

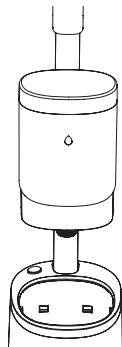


Figure2.4

3. Dirty water tank installation

3.1 The bottom of the dirty water tank is placed at the opening of the body and then pushed inward, and the "click" sound is heard to indicate a successful installation.

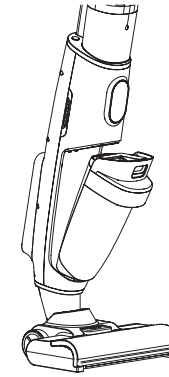


Figure3.1

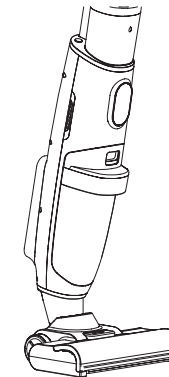
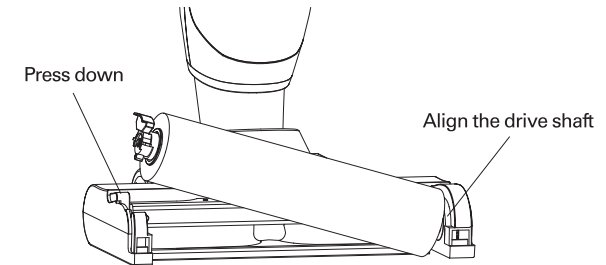


Figure3.2

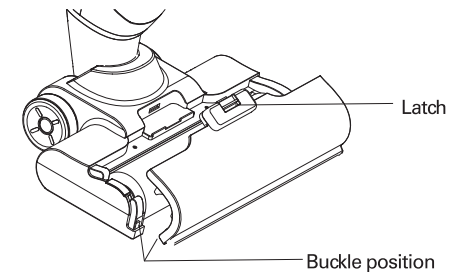
4. Roller installation

As shown in the figure below, please align the groove on the right side of the brush with the drive shaft and then press down on the left side of the roller until it is installed.



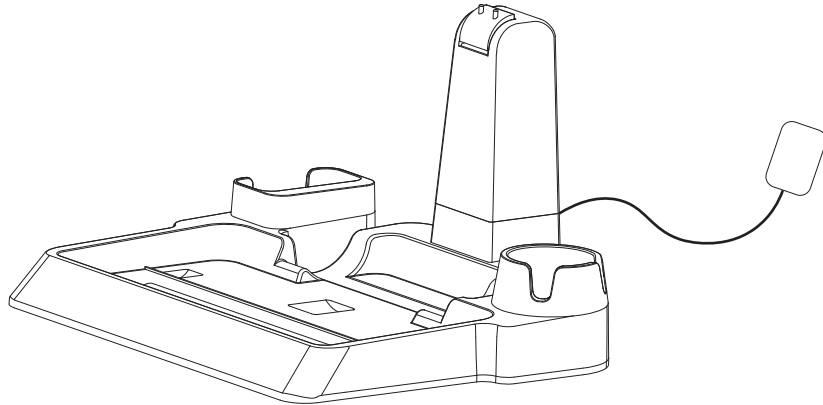
5. Roller transparent cover installation

As shown in the figure below, match the buckles to the right position and the latch to machine until hearing a "click" sound that indicates successful installation.



6. Self-cleaning and charging station installation

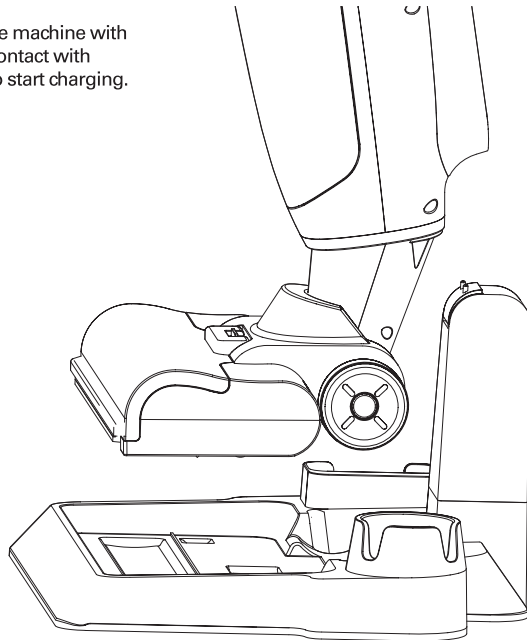
Insert the adapter charging port into the corresponding position of the charging station and the adapter head into the home socket.



How to Use

1. Charging

As shown in the figure below, align the machine with the charging station, and the battery contact with the charging station contact in place to start charging.

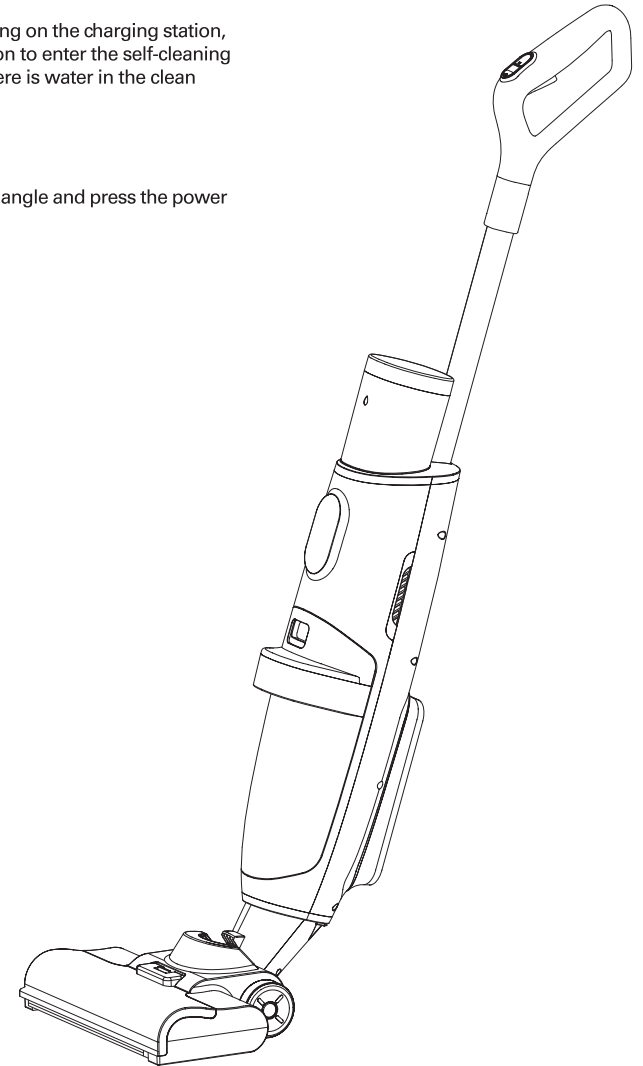


2. Self-cleaning

When the machine is charging on the charging station, press the self-cleaning button to enter the self-cleaning mode. Please make sure there is water in the clean water tank while using.

3. Use

Tilt the machine to the right angle and press the power button to start working.



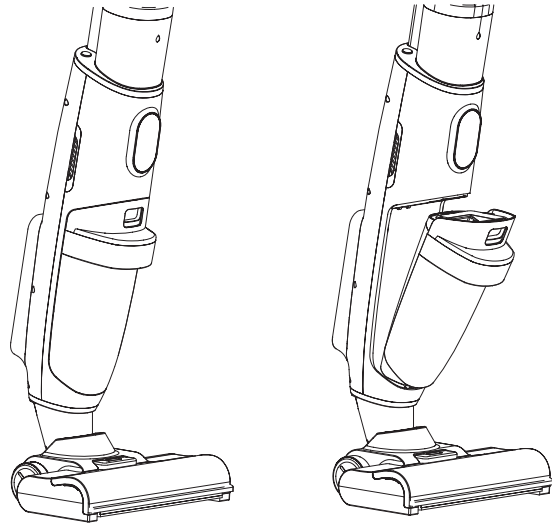
Warning:

- If there is a large amount of foam in the dirty water tank during the working process, please clean up the dirty water tank in time to avoid the water flowing to the fan motor.
- Prohibit fast pushing and pulling during the working process, so as not to cause the water flowing to the fan motor.
- While working, please be attentive to the dirt inside the dirty water tank, so as not to block the detector to affect the full water detection.
- Please turn off the power before charging.

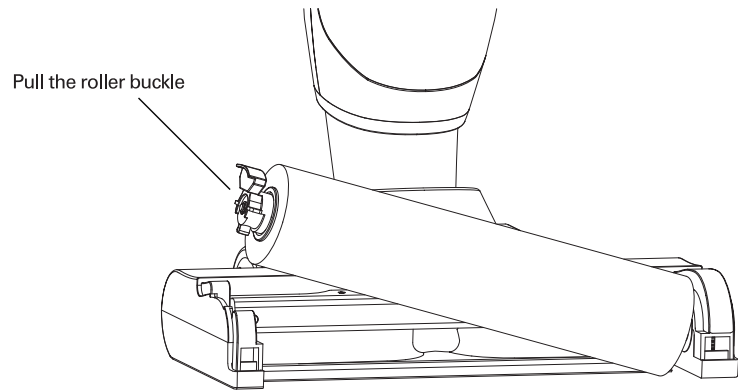
Product Maintenance and Care

Please unplug the power supply, turn off the machine, and before maintenance and care.

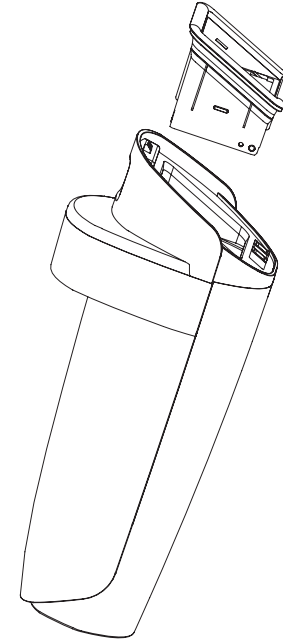
1. Routine maintenance of dirty water tank: clean the dirty water tank and its shed immediately after each use to avoid causing odor. Hold the dirty water tank handle by hand, press the lock buckle with thumb, and pull the dirty water tank out gently.



2. Routine maintenance of roller brush: please do the self-cleaning after each use. If the roller brush is too dirty, take out the roller according to the picture below and clean it.



3. HEPA daily maintenance: take out the HEPA from the dirty water tank as below and place it in the air vent to dry after cleaning.



Product Specifications

Model: B63	Product dimensions (inch): 45.28(H) x 11.2(W) x 9.8(D)
Working voltage (V): DC21.9V	Noise (dB): 70dB
Rated power (W): 150W	Adapter input: 100-240V ~ 50/60Hz 0.8A
Battery capacity (mAh): 2600	Adapter output: DC 27V 0.8A
Cleaning water tank (oz): 23.7oz	Charging time: 4h
Dirty water tank (oz): 18.6oz	Endurance: ECO mode 25mins
Net weight (lbs): 8.17lbs	MAX mode 20mins

*The above data are from our lab, actual usage may vary depending on the environment in which it is used. Please refer to the actual use.

*Our company reserves the right to make any technical and design changes to the product due to the continuous improvement of the product, and we reserve the rights to interpretation.

Cleaning / Replacement Frequency Recommended

Part	Cleaning/Replacement frequency recommended
Clean water tank	Cleaning after each use
Dirty water tank	Cleaning after each use
HEPA	Cleaning after each use; replacement every 3-6 months
Floater	Cleaning after each use
Brush guard	Cleaning after each use
Infrared sensor	Cleaning after each use
Rollers	Cleaning after each use; replacement every 3-6 months
<p>Note: Above frequency is only for your reference. The final cleaning/replacement frequency should depend on the usage.</p>	

Troubleshooting

Problems	Possible reasons	Solutions
Cleaner cannot be charged.	<ul style="list-style-type: none"> The power supply does not connect well. Cleaner isn't connected well with charging station. 	<ul style="list-style-type: none"> Please check the connection of power supply. Please replace cleaner on the charging station.
The handle control doesn't work.	<ul style="list-style-type: none"> The battery capacity is low. The handle doesn't connect well. 	<ul style="list-style-type: none"> Please check the battery capacity and fully charge it. Please re-install the handle.
Cleaner doesn't work.	<ul style="list-style-type: none"> The dirty water tank is full. The dirty water tank is not installed. Roller brush is not installed. 	<ul style="list-style-type: none"> Please empty the dirty water tank. Please check and install the dirty water tank. Please check and install the roller brush.
The indicator display of clean water tank is incorrect.	<ul style="list-style-type: none"> Uncalibrated. 	<ul style="list-style-type: none"> Take off the clean water tank, then start to clean and spray, turn cleaner off until draining the pipe. Then press the "Switch Button" and "Eco/Max Button" for 5 seconds until the digital display flash two times, then check again.
The vacuum is getting weaker.	<ul style="list-style-type: none"> The HEPA is blocked. The HEPA is wet. 	<ul style="list-style-type: none"> Please check and clean the HEPA. Please dry the HEPA first.
The clean water tank is leaking.	<ul style="list-style-type: none"> The clean water volume is higher than snuffle valve. The clean water tank is not installed well. The cap is not screwed well. 	<ul style="list-style-type: none"> Pour out water until the volume is lower than snuffle valve. Please re-install the water tank. Please screw the cap well.
No water comes out when spraying.	<ul style="list-style-type: none"> The clean water tank is empty. The clean water tank is not installed well. 	<ul style="list-style-type: none"> Please fill up the clean water tank. Please re-install the water tank.
No voice assistance.	<ul style="list-style-type: none"> The voice function is off. The version excludes voice. 	<ul style="list-style-type: none"> Turn on the voice switch. Please check and confirm with local seller.
Cleaner doesn't work in self-cleaning mode.	<ul style="list-style-type: none"> The dirty water tank is full. Lack of water. 	<ul style="list-style-type: none"> Please empty the dirty water tank. Please fill up the clean water tank.
There are water drops at air outlet.	<ul style="list-style-type: none"> The HEPA is not installed. The HEPA is not dry. Cleaner was tilted hard. Cleaner vacuumed foam liquid. 	<ul style="list-style-type: none"> Please check and install the HEPA. Please dry the HEPA before use. Use the machine correctly. Empty the dirty water tank in time.
Cleaner moves hard.	<ul style="list-style-type: none"> The roller brushed is not installed well. 	<ul style="list-style-type: none"> Please check and re-install the roller brush as guide.
The indicator displays the dirty water tank is full when it's not	<ul style="list-style-type: none"> The cleaner vacuums too much foam liquid. 	<ul style="list-style-type: none"> Clean the foam liquid immediately

Fault Code Table

Error Code	Causes	Solutions
E1	Battery disconnect	Replace battery
E2	Rechargeable battery voltage is too low	Replace the battery
E3	Rechargeable battery voltage abnormal	Replace the battery
E4	Temperature control of battery is abnormal	Replace the battery
E5	High discharging temperature	Battery pack over temperature, do not use until the battery temperature is restored
E6	High charging temperature	Battery pack over temperature, do not charge until the battery temperature is restored
E7	Low charging temperature	Make sure the ambient temperature is above 5°C
F1	Charging over-current	Please confirm whether the charger is original
F2	Short-circuit protection	Please contact customer service
F3	Discharge Over-current	Please contact customer service
F4	Roller brush discharge Over-current	Check whether there is any foreign body to be cleaned at the roller brush. If the fault still exists, please contact customer service
F6	No dirty water installed	Install dirty tank before use

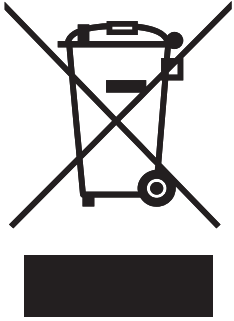
Name and Content of Hazardous Substances

Component	Content of hazardous substances						
	Plastic Shell	PCB	Cables	Metal Parts	Adapter	Electronic Components	Rubber Components
Cadmium(Cd)	O	O	O	O	O	O	O
Lead(Pb)	O	O	O	X	O	O	O
Mercury(Hg)	O	O	O	O	O	O	O
Hexavalent Chromium(CrVI)	O	O	O	O	O	O	O
Polybrominated Biphenyls(PBB)	O	O	O	O	O	O	O
Polybrominated Diphenyl Ethers (PBDE)	O	O	O	O	O	O	O
Bis(2-ethylhexyl) Phthalate(DEHP)	O	O	O	O	O	O	O
Butyl Benzyl Phthalate (BBP)	O	O	O	O	O	O	O
Dibutyl Phthalate (DBP)	O	O	O	O	O	O	O
Diisobutyl Phthalate(DIBP)	O	O	O	O	O	O	O

The lifetime of the components for environmental protection concerns is 10 years.
The time is valid under the use conditions of this manual.

O: Indicates that the content of the hazardous substances in all homogeneous materials of the components complies with the council RoHS 2 Directive (EU)2015/863 and (EU) 2017/2102 amending Annex II to Directive 2011/65/EU.

X: Indicates that the content of the hazardous substances in all homogeneous materials of the components is the exempt item according to the council RoHS 2 Directive (EU) 2015/863 and (EU)2017/2102 amending Annex II to Directive 2011/65/EU due to the existing level of technology.



Recycling

The symbol on the product or its package indicates that this product may not be treated as household waste. Instead, it should be taken to the appropriate collection point for the recycling of electrical and electronic equipment. By ensuring this product is disposed of correctly, you will help prevent potential negative consequences for the environment and human health, which could otherwise be caused by inappropriate waste handling of this product. For more detailed information about recycling of this product, please contact your local council, your household waste disposal service or the shop where you purchased the product.

WARRANTY

Alton Industry Ltd. Group 2-Year Limited Warranty

This warranty covers any defects in materials or workmanship of the enclosed product. Alton Industry Ltd. Group will repair or replace any defective materials due to craftsmanship of the product. This warranty does not cover any problem caused by misuse, abuse, accidents or acts of God, such as floods or hurricanes. Consequential and incidental damages are not covered under this warranty. Coverage terminates if you sell or otherwise transfer the ownership. If you feel you have a defective product, please submit a copy of your receipt to the address below and call 1-888-899-0146 for instructions prior returning this item to the store or sending back to:

Alton Industry Ltd. Group
643 Innovation Drive
West Chicago, IL 60185

We will inspect the product and contact you within 72 hours to give you the results of our inspection. We reserve the right to repair or replace the product at our discretion. However, we may replace the product with one of similar but not exact features. Parts and Service Information available call Alton Industry at 1-888-899-0146. This warranty gives you specific legal rights. You may have other rights which vary from state to state.

We reserve the right to changes in text, design, and technical specifications, which are subject to change without prior notice.