

DESCRIPTION: VOX VOICE 4FT & DOUBLE TV BED

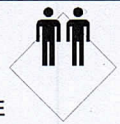
1 HOURS

APPROXIMATE ASSEMBLY TIME



2 PERSON ASSEMBLY

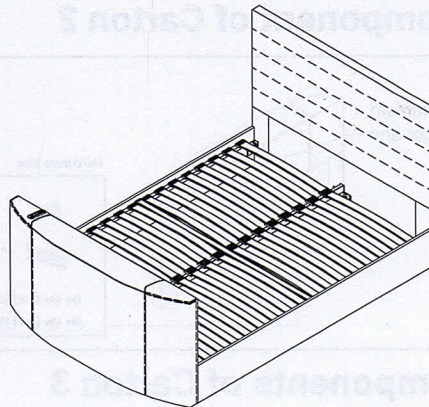
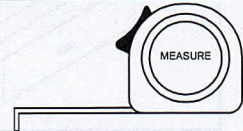
FLOOR AREA
2.0m X 2.7m



REQUIRED ASSEMBLY SPACE

ASSEMBLY INSTRUCTIONS

REQUIRED ASSEMBLY TOOLS



Regrettably self-assembly items cannot be returned once assembly is part or fully completed unless the items are found to be faulty. Should you need to return the unassembled product, please repack in its original packaging.

Important Information

- We suggest you spend a short time reading through this leaflet and then follow the simple step-by-step instructions.
- Carefully check that you have all the parts before beginning assembly.
- Keep fittings out of children's reach and keep children well away from construction area.
- We suggest you retain these instructions for future reference.

Product Information

- TV bed.
- Frames conforms to BSEN 1725. Fabrics & fillings conform to BS5852.
- TV Lift system has a maximum load capacity of 80lbs (37kg)
- Compatible with slimline LED televisions with a screen size of 20" to 43".
- Maximum T.V dimensions D85mm x W980mm x H580mm (WITHOUT STAND)

Care Instructions

- Avoid exposing the furniture to excessive heat or direct sunlight as this can cause cracking or deterioration of the color.
- Periodically check & re-tighten any fastener.
- Periodically dust lightly with a clean soft cloth. We recommend hoovering to remove dust.
- Any spills should be removed immediately with a soft damp cloth.
- TAKE CARE WHEN MOVING THE FURNITURE AND NEVER DRAG THE PIECES ACROSS THE FLOOR, AS THIS WILL CAUSE DAMAGE TO THE JOINTS.

Whereas every effort has been made to allow this product to utilise the maximum number of TV's available it is not possible to accommodate every product in an ever changing market. It is the responsibility of the customer to ensure suitability of the TV to the TV bed before attempting operation. It is the customers responsibility to ensure all wiring is correctly placed in accordance with both the TV and TV bed manufacturer.

Supplier will not be held responsible for any damage caused to the TV, TV Cabling or TV bed due to incompatibility of equipment used.



Comforms To : LIFT_Controller unit Linear actuator(LVD + EMC):

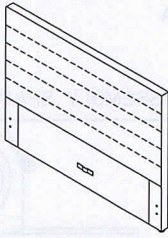
(EMC) -EN 55014-1:2017/A11:2020; EN 55014-2:2015; EN 61000-3-2:2014;

EN IEC 61000-3-2:2019; EN 61000-3-3:2013; EN 61000-3-3:2013/A1:2019;

(LVD) -EN 60335-1:2012/A2:2019; EN 62233:2008;

Components of Carton 1

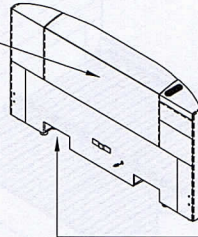
(A) Headboard x 1



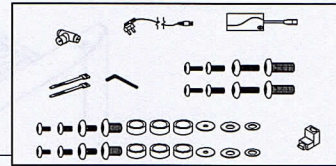
Component of Carton 2

(B) Footboard x 1

TV Mechanism
pre-fixed in the foot end

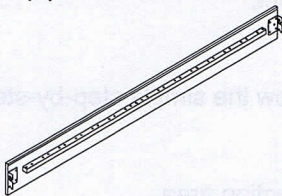


Hardware Box

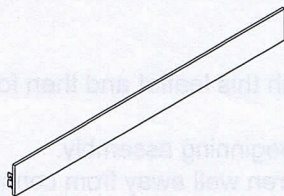


Components of Carton 3

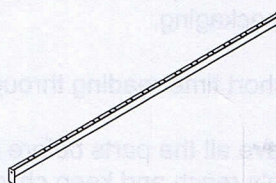
(C) Side Rail Left x 1



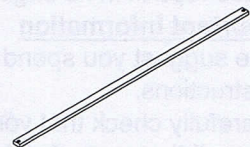
(C-1) Side Rail Right x 1



(D) Centre Rail x 1

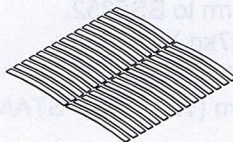


(E) Top Tie Rail x 1



Components of Carton 4

(F) Slat
x 30



Hardware List (in Carton 1)

(G) M8 x 25mm
x 4 (Pre-Installed)



Hardware List (in Carton 2)

(G) M8 x 25mm
x 4 (Pre-Installed)



Hardware List (in Carton 3)

(G) M8 x 25mm
x 4 (Pre-Installed)



(H) Screw Driver
x 1



Hardware List (in Carton 4)

(I) End Cap
x 30



(J) Middle Cap
x 15



Tips before you start!

1. Please check that all parts are present before you start the assembly of your furniture.
2. For ease and speed of assembly, we recommend that before you commence each step of the assembly, that you identify all the parts required for that step.
3. For larger items, please ensure that you have sufficient space and people (as indicated on page 1) to assemble your product safely. (Minimum Two Persons)
4. We recommend where possible, all items are assembled near to the area where they will be placed in use, to avoid moving the product unnecessarily once assembled.
5. Please ensure that your bed is placed on a level floor area. (Avoid setting up and installing your bed on uneven floor surface.
6. For the protection of your furniture, we recommend that the product is placed on a protected surface during assembly to prevent any damage.
7. During assembly please take care not to over-tighten any fittings, as this may damage the product.
8. Please ensure the TV bed is assembled as close as possible to the power supply source.

Care and Maintenance of your Furniture

- Please periodically check all fittings and re-tighten as necessary.
- To clean your item, please use a soft damp cloth and wipe clean.
- Please do not jump on your furniture.
- Never allow any kind of liquid to remain on your furniture. This can cause finishes to de-laminate. Take care when spraying Perfume and deodorants etc as the vapour can settle on the fabric surface and cause damage.
- Periodically check the condition of your bed slats and plastic locating caps to ensure they are in good condition and have not become loose.
- It is important to Never Drag your bed as this can cause damage to the joints and the fixings. This may invalidate your guarantee.
- The bed should always be lifted into position or if moved for cleaning.

ATTENTION! PLEASE NOTE:

In the event you are experiencing any technical difficulties and you require additional assistance/ support with your product 'Mechanical/ Electrical' function - Please visit:

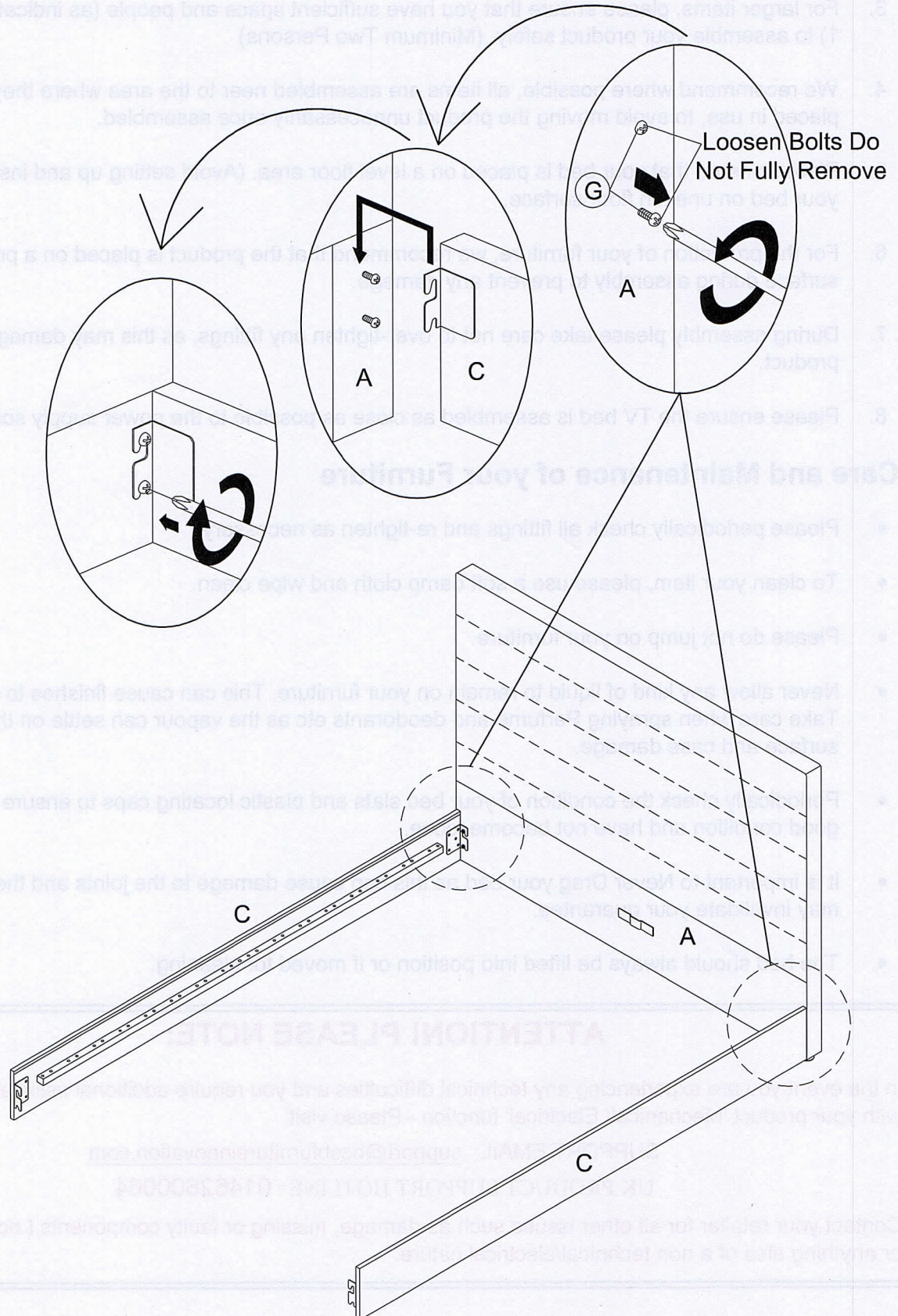
SUPPORT EMAIL: support@bssbfurnitureinnovation.com

UK PRODUCT SUPPORT HOTLINE : 01462600064

Contact your retailer for all other issues such as damage, missing or faulty components (non electrical) or anything else of a non technical/electrical nature.

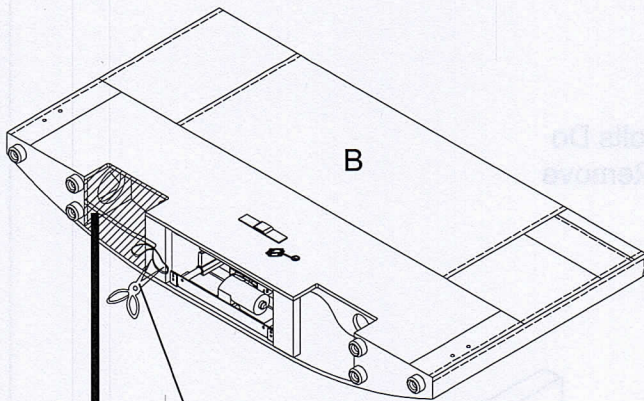
Step 1

- Loosen the bolts located in the head end. (Note: only loosen the bolts Do **NOT** remove them.)
- Hook the side rail over the bolts as shown.
- Repeat the action on the opposite side.



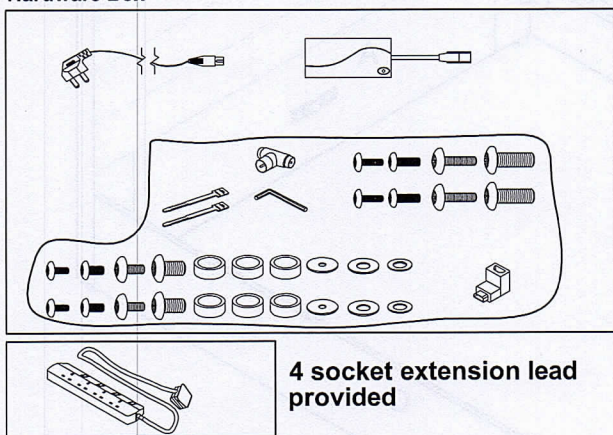
Step 2

- Carefully remove the footboard from carton 2, remove the Hardware Box and all extra transportation packaging from inside.
- To do this you will need to gently lay the foot end on it's back. Before doing so please ensure the area is completely free of anything that may cause damage or press into the fabric. Place a protective cover on the floor to avoid possible damage.
- The controls and hardware are held in place by string please carefully cut these and remove.

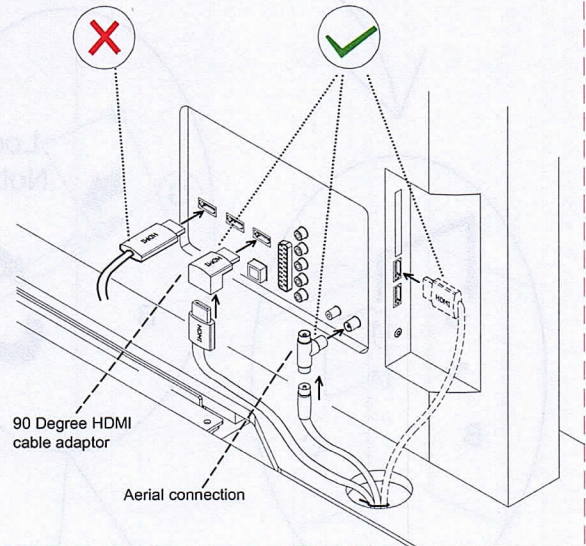


CAUTION:
PLEASE USE SCISSORS TO CUT THE STRING.
TAKE CARE WHEN REMOVING THE ACCESSORY BOXES NOT TO CATCH YOUR HANDS ON THE SIDES.

Hardware Box

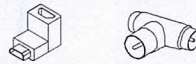


YOUR TELEVISION REAR VIEW
HDMI CABLE PLUG POSITION POSSIBLE SCENARIO'S



Attention Please Note : Connecting Your HDMI or Aerial Cable as shown in diagram (X) can seriously Damage Your TV sockets.

To reduce this possibility we have supplied 90 degree adaptors for both HDMI and Aerial connections.



This will reduce the cable protrusion and lessen the possibility of the cable colliding with the bed frame.

These can be found in the bed frame hardware pack located in Box 2 (foot end). Please refer to the diagram above for the correct fitting of cables. More detailed information can also be found on page 12 (step 14) of your assembly instructions.

The manufacturer or retailer will not accept responsibility for any damages arising from incorrect installation.

ATTENTION! PLEASE NOTE:

In the event you are experiencing any technical difficulties and you require additional assistance/ support with your product 'Mechanical/ Electrical' function - Please visit:

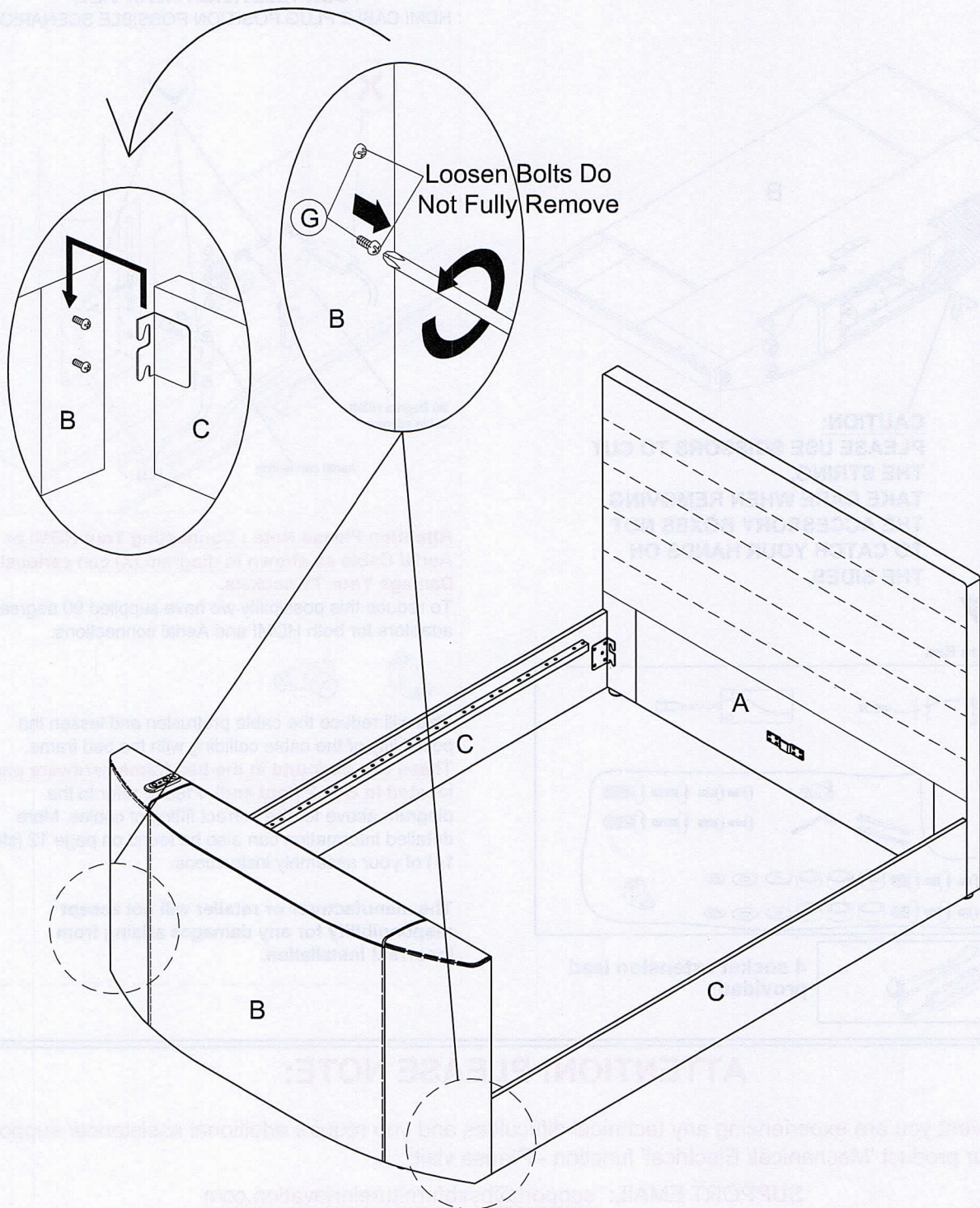
SUPPORT EMAIL: support@bssbfurnitureinnovation.com

UK PRODUCT SUPPORT HOTLINE : 01462600064

Contact your retailer for all other issues such as damage, missing or faulty components (non electrical) or anything else of a non technical/electrical nature.

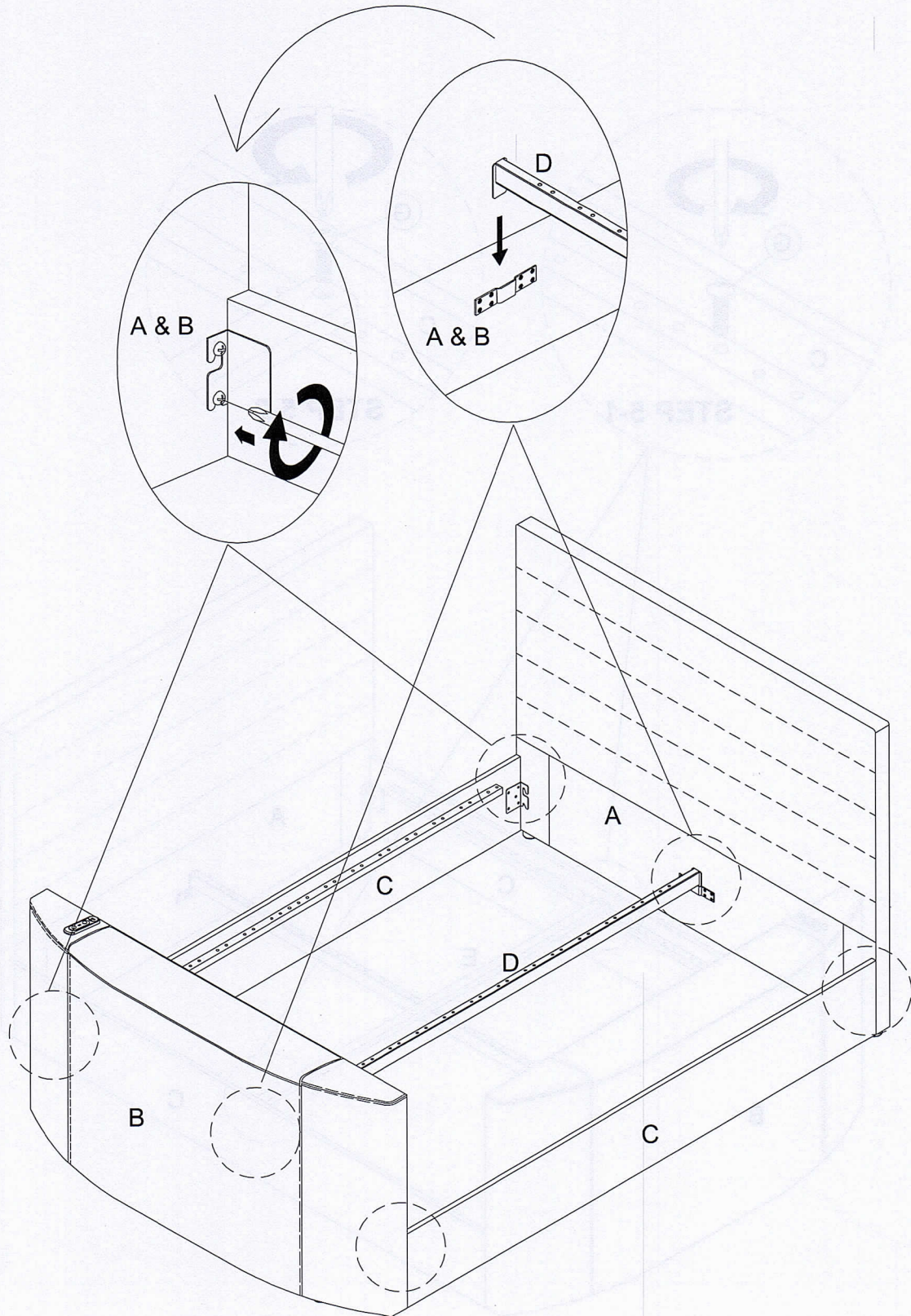
Step 3

- Carefully lift the foot end back to it's upright position.
- Loosen the bolts located in the foot end.
- Please note these should only be loosened and **NOT** removed.
- Hook the side rail brackets over the bolts on both sides.



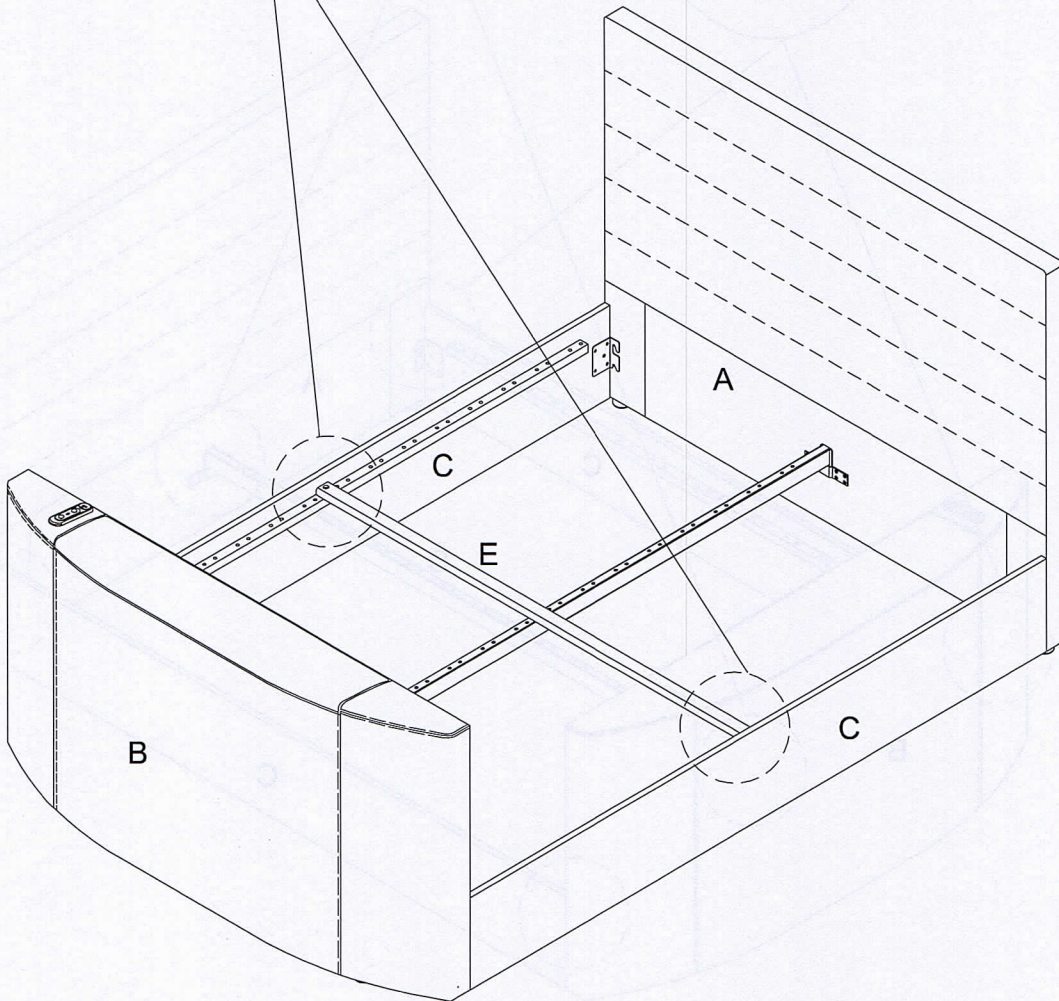
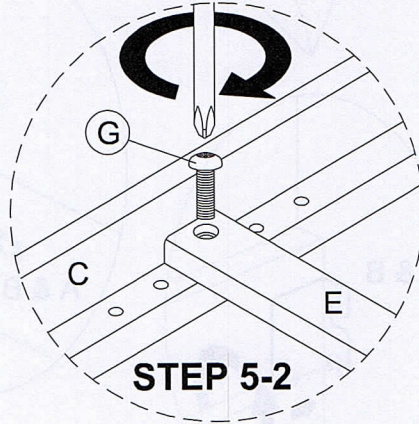
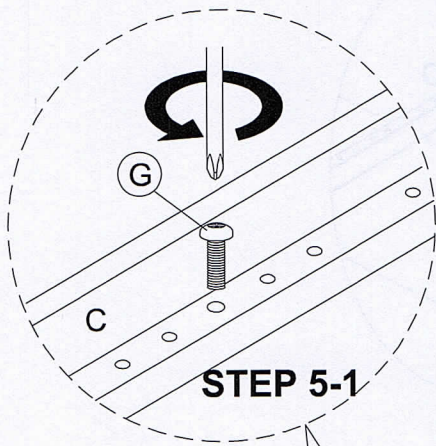
Step 4

- Carefully slot the centre rail into the brackets on the head and foot end. Be very careful not to catch the head and foot ends with the centre rail tongue.
- Fully tighten all screws on the head and foot ends.



Step 5

- Remove the bolts at the side rail as shown.
- Attach the Top tie rail on the side rail & tighten with the bolts as shown.



Step 6

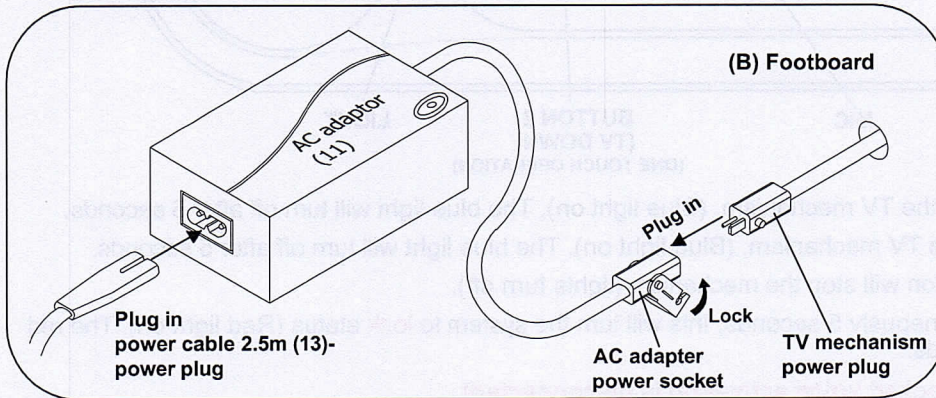
- Connecting the TV mechanism cable as shown. It is essential that connecting to the power supply is done in this order. Failure to do so will result in damage to your product.

Step 6-1 Connect the Power Cable (13) to the AC adaptor (11), then plug the AC adapter power socket into the TV mechanism power plug, which is pre-installed in the footboard, as shown.

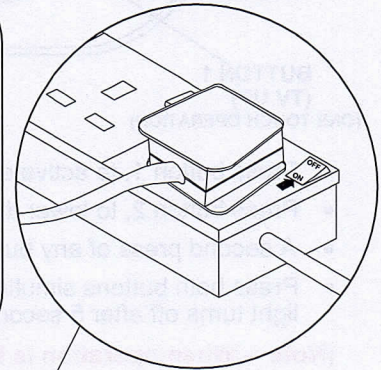
Step 6-2 Connect the power cable (13) power plug into an 4 socket extension lead, then switch on.

Step 6-3 Switch on the main power supply.

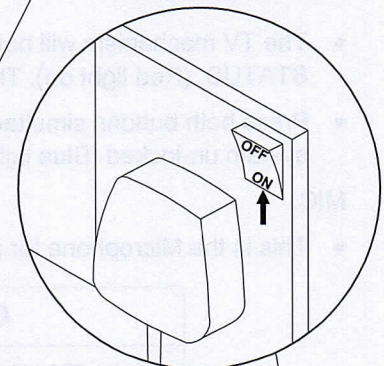
STEP 6-1



STEP 6-2



STEP 6-3



(The USB C&A total power output is Auto Adjustable and balancing from: 5V~2A, 5V~3A, 9V~2A)

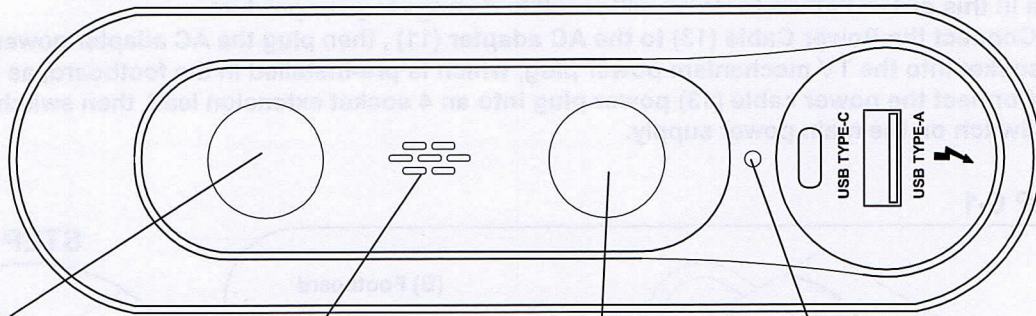
Voice Controller

4 SOCKET EXTENSION LEAD

Note:- Must ensure there is enough slack between the tv plug into the extension lead and the TV in its raised position. This is to make sure no undue stress is placed on the power cable when the TV is raised.

Step 7

INSTRUCTION MANUAL FOR VOICE CONTROLLER



BUTTON 1
(TV UP)
(ONE TOUCH OPERATION)

MIC

BUTTON 2
(TV DOWN)
(ONE TOUCH OPERATION)

LIGHT

- Press button 1, to activate the TV mechanism, (Blue light on). The blue light will turn off after 5 seconds.
- Press button 2, to lower the TV mechanism, (Blue light on). The blue light will turn off after 5 seconds.
- A second press of any button will stop the mechanism (lights turn off).
- Press both buttons simultaneously 5 seconds, this will turn the system to **lock** status (Red light on). The red light turns off after 5 seconds.

(Note :- When operation is locked voice activation is disconnected)

LOCK STATUS

- The TV mechanism will not operate manually or by voice activation if you press any buttons whilst in LOCK STATUS, (Red light on). The red light will stay on for 5 seconds.
- Press both buttons simultaneously for 10 seconds this will then take the system out of LOCK STATUS system un-locked (Blue light on). The Blue light will turn off after 5 seconds.

MIC.

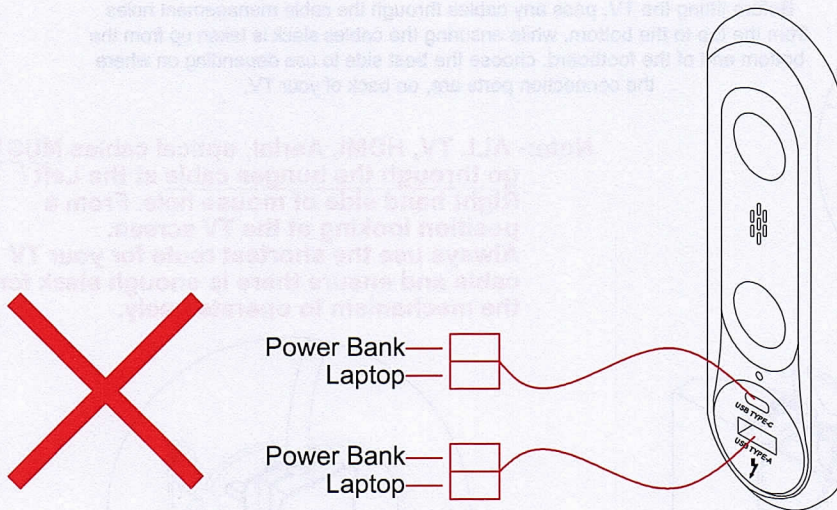
- This is the Microphone for receiving the voice assist commands. See commands below.

Command words	Function
Hello TV / Hey TV / Hi TV / Go TV / Yo TV	Wake up words
TV up	Up
TV down	Down
TV stop	Stop operation

- **You must use the command words as listed above the system will awaken and the Blue light will be on.**
- If no wake-up command words are received within 15 seconds, the system will switch to standby mode (Blue light off).
- When the voice assist system receives a command, within 15 seconds the Blue light will come on and the wake up mode will start for a duration of 15 seconds.
- In the standby mode the system will only wake up using the wake-up command words. After it has woken you can use the command words from the list.
- You can use the buttons when the voice assist is in standby.

CHARGING

- 1) Please monitor the plugged in device being charged. If the device gets hot stop charging immediately.
- 2) Ensure the device being charged is free from moisture and the charge cables are free from damage.
- 3) Please refer to the device manufactures user manual to check suitability of the charging method.
Do not use devices which require high charge input such as laptops and power banks.

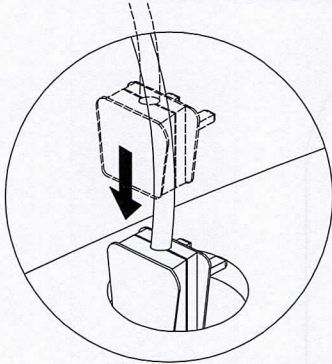


PRECAUTIONS

- Before using the bed system connect all cables and mains power.
- The child Lock function only disables the buttons and voice, the USB charger will still operate.
- **Important Notice: This product is not intended for use by Children. Due to safety concerns and specific features this product should only be used under the direct supervision of a responsible adult who is capable of providing assistance and guidance. The manufacturer, distributor and seller of this product shall not be held responsible for any damages or injuries arising from the use of this product without proper supervision.**

Step 8

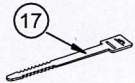
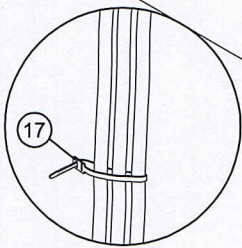
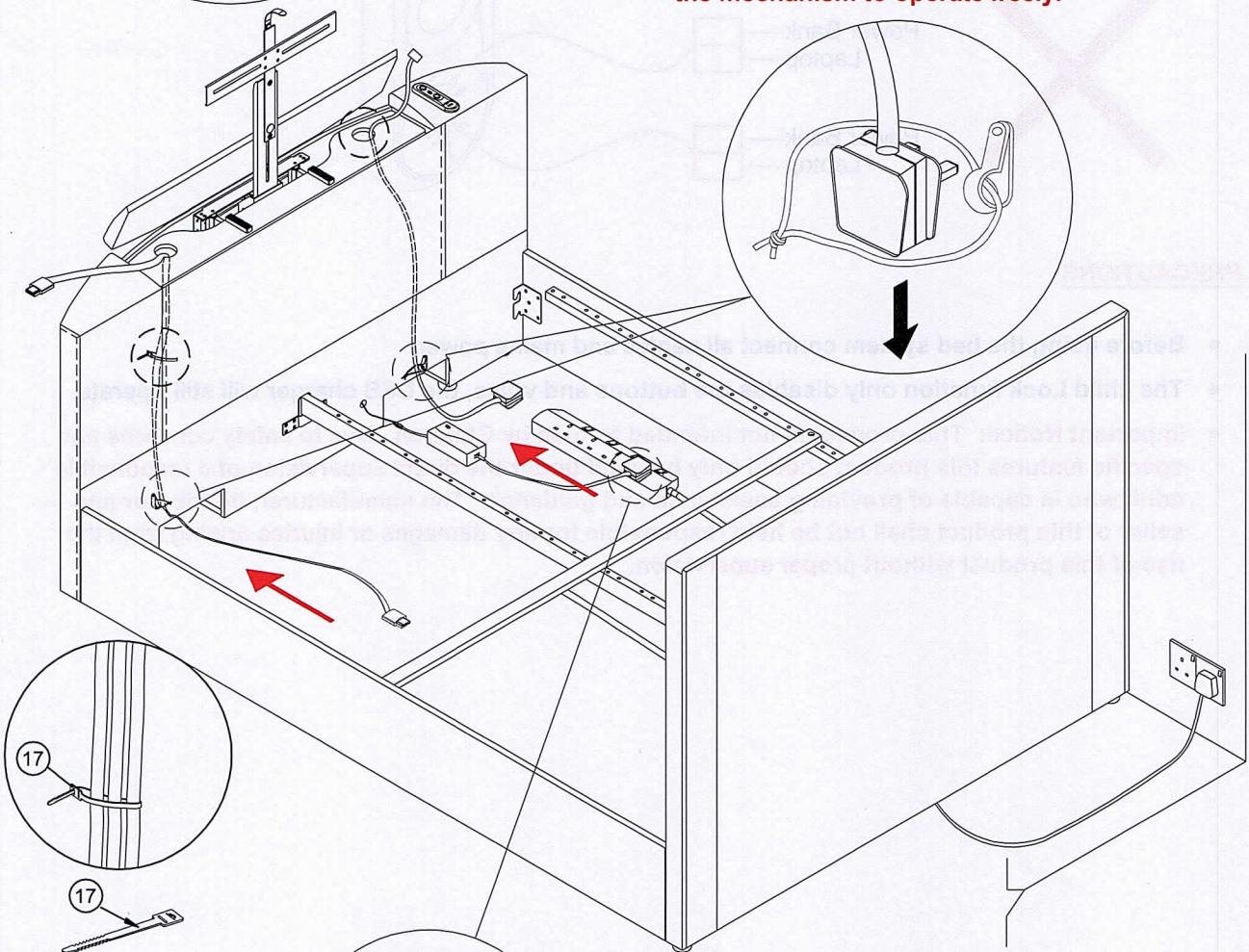
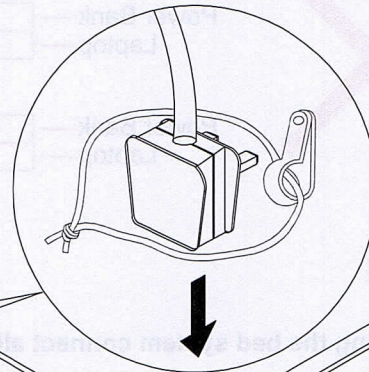
- Cable connection plan. Make sure you have all the relevant cable connections required (HDMI cable, TV Aerial cable, TV power cable, Optical cable etc...) before you install the TV.
- The cable management holes are to help you to manage the cable and keep them tidy and free from snags. Pass all cables cleanly through these holes. While ensuring any cable slack is taken up from the bottom end of the footboard.



TIP:

Before fitting the TV, pass any cables through the cable management holes from the top to the bottom, while ensuring the cables slack is taken up from the bottom end of the footboard. choose the best side to use depending on where the connection ports are, on back of your TV.

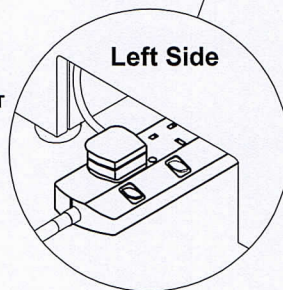
Note:- ALL TV, HDMI, Aerial, optical cables MUST go through the bungee cable at the Left / Right hand side of mouse hole. From a position looking at the TV screen. Always use the shortest route for your TV cable and ensure there is enough slack for the mechanism to operate freely.



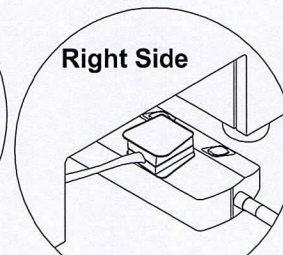
PLUG IN - KEEP ALL CABLES TIGHT
- USE CABLE TIES PROVIDED.

Cable Tie(17)

Use if / as required



Left Side



Right Side

When all cables connected place this in the appropriate mouse hole either on the right or left hand side depending on the exit area of the TV power lead.

Place all cables through the 'Cable Management' holes to prevent any damage to the cable when the TV Lift Mechanism is operating. Make sure all your the cables are long enough to let the TV Lift Mechanism move freely.

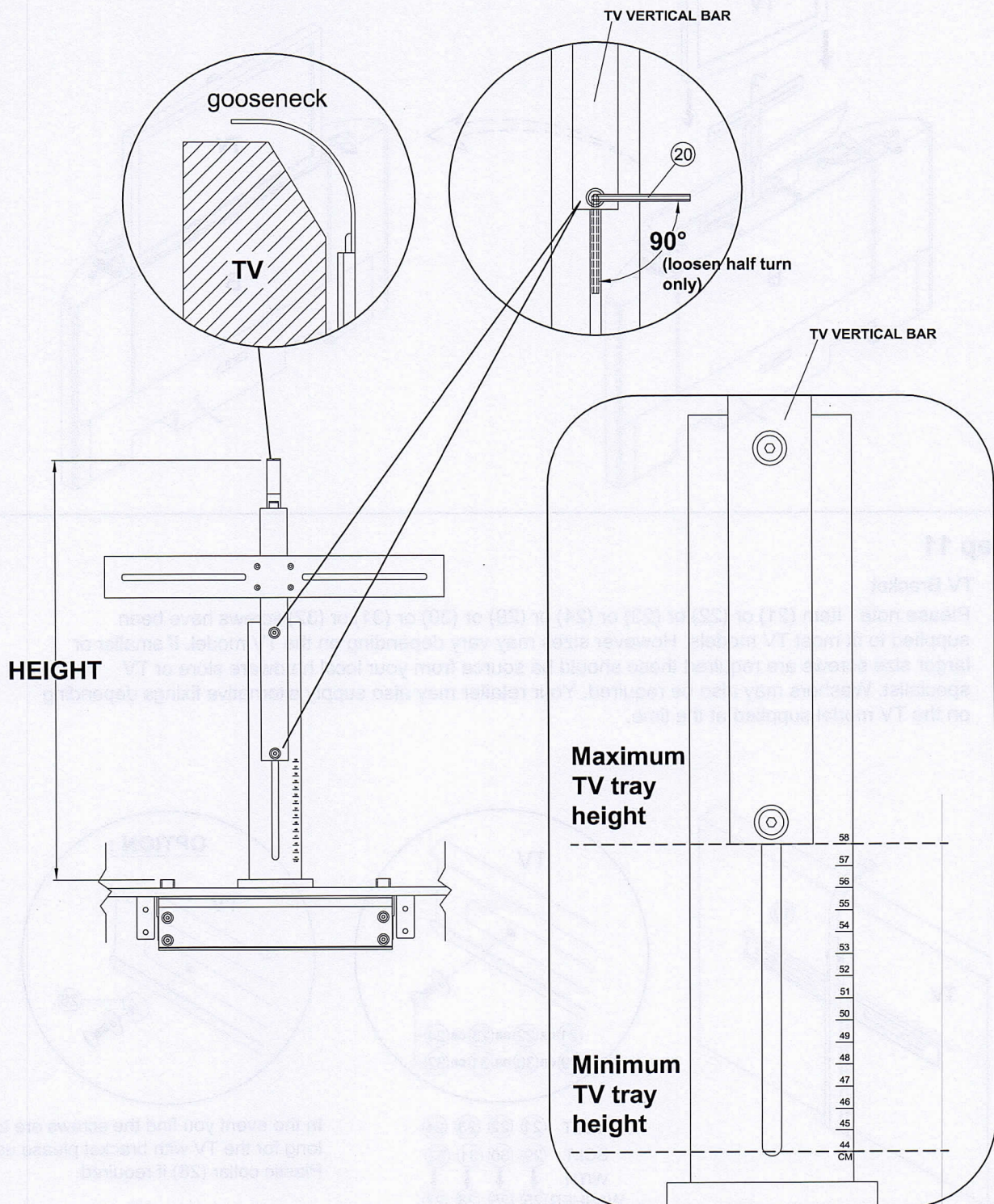
All the cables **MUST** be carefully pulled and fully extended.

Group the cables **MUST** be carefully pulled and fully extended.
Group the cables together as required below the TV Tray using cable tie(17) provided.

Step 9

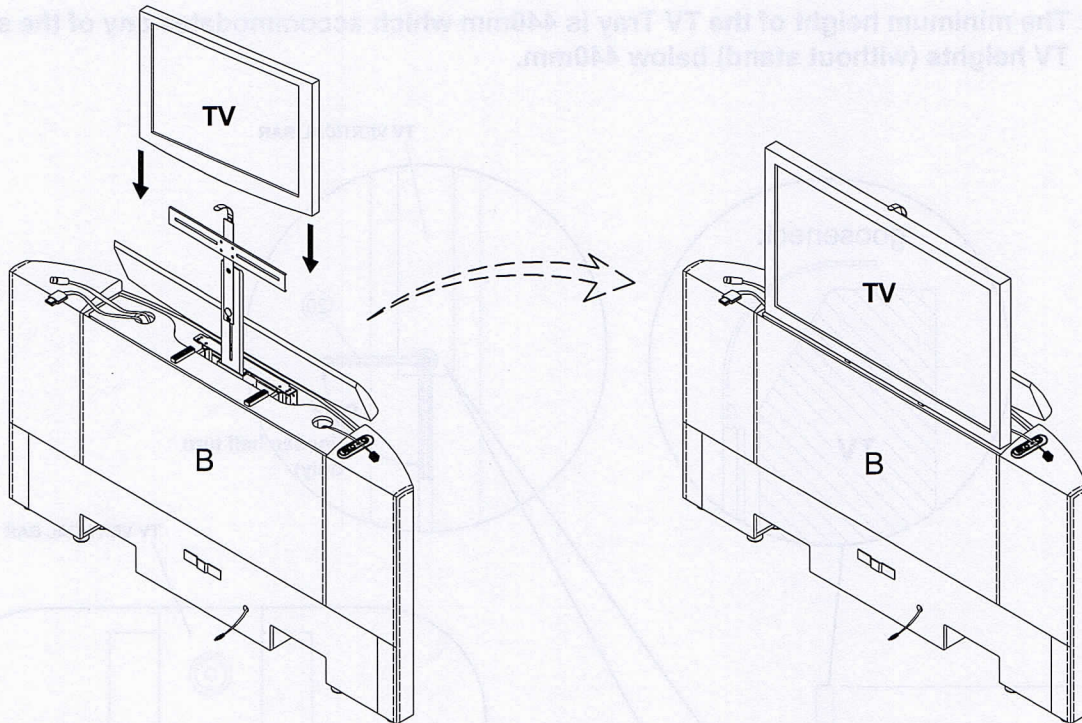
- Adjust the TV tray to suit the height of your TV (without stand). Please follow step below
 - 9.1 : Make a note of the height (without stand!) of your television.
 - 9.2 : Use the Allen key (20) to slightly loosen the bolts-half turn only, do not remove all.
(Please refer diagram below)
 - 9.3 : Slide "UP/ Down the TV vertical bar to using the measure line to match the noted height of your TV, then fully tighten the bolts.
 - 9.4 : When the TV is mounted it should sit neatly just underneath the Gooseneck.

Note: The minimum height of the TV Tray is 440mm which accommodates any of the smaller TV heights (without stand) below 440mm.



Step 10

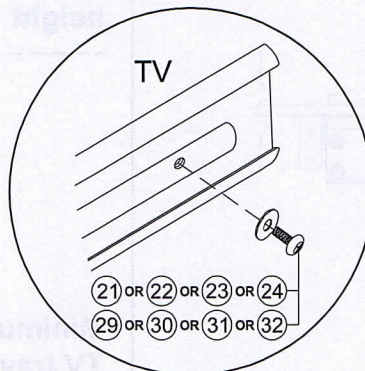
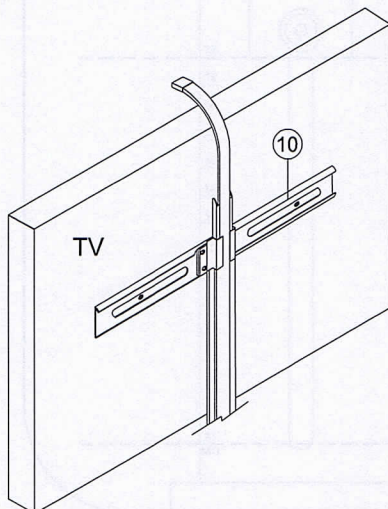
- You are now ready to install your TV.
- Raise the mechanism to it's highest position.
- While standing behind your television (on the outside end of the footboard).
- Carefully place the TV on top of the two rubber TV mounting pedestals - ensuring the Gooseneck arm is perfectly in line with the horizontal 'centre' of the TV.



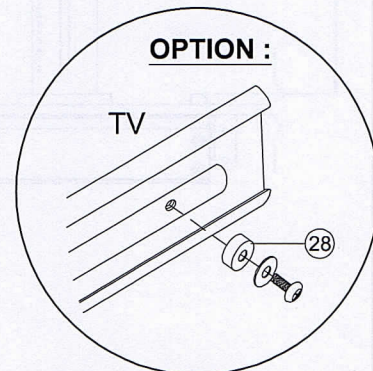
Step 11

- TV Bracket

Please note : Item (21) or (22) or (23) or (24) or (29) or (30) or (31) or (32) screws have been supplied to fit most TV models. However sizes may vary depending on the TV model. If smaller or larger size screws are required these should be source from your local hardware store or TV specialist. Washers may also be required. Your retailer may also supply alternative fixings depending on the TV model supplied at the time.



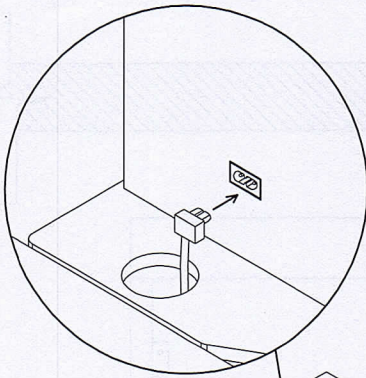
BOLT (21) (22) (23) (24)
 BOLT (29) (30) (31) (32)
 WITH ↓ ↓ ↓ ↓
 WASHER (25) (25) (26) (27)



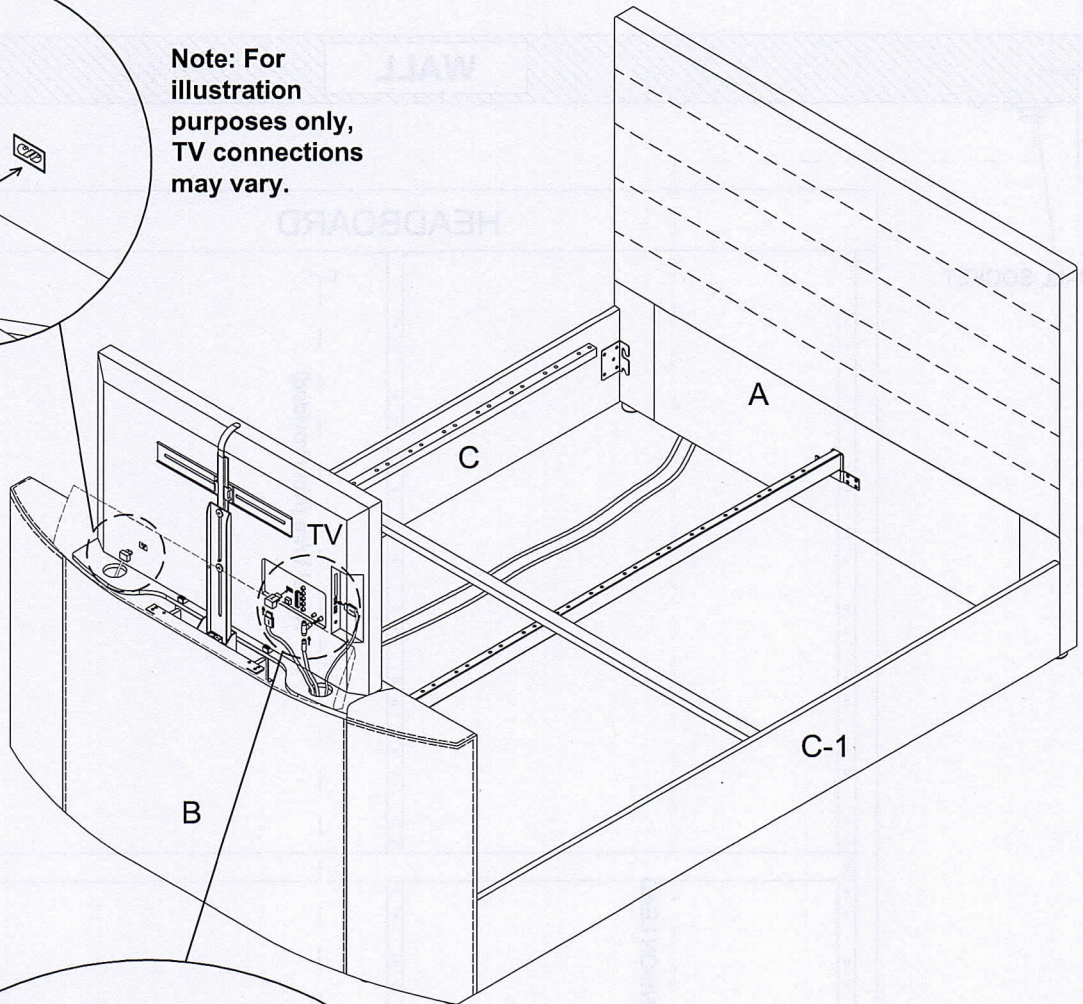
OPTION :
 In the event you find the screws are too long for the TV with bracket please use Plastic collar (28) if required.

Step 12

- Install all the cable connection to the TV .

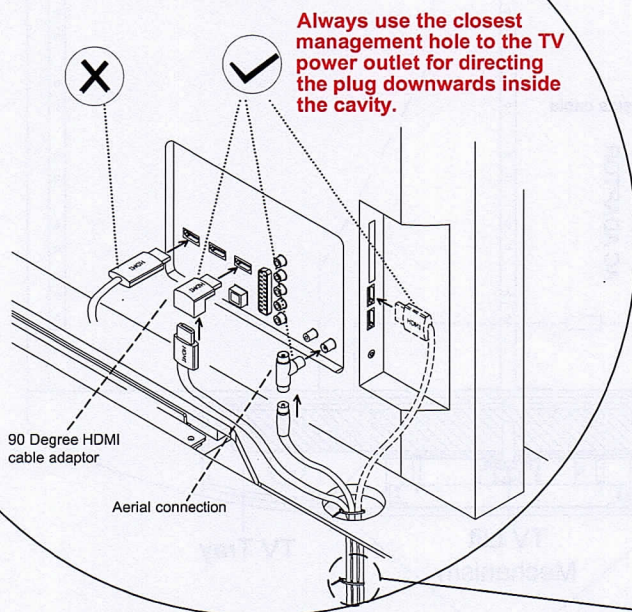


Note: For illustration purposes only, TV connections may vary.



Note: For illustration purposes only, TV connections may vary.

YOUR TELEVISION REAR VIEW
HDMI CABLE PLUG POSITION POSSIBLE
SCENARIO'S



Attention Please Note : Connecting Your HDMI or Aerial Cable as shown in diagram (X) can seriously Damage Your TV sockets.

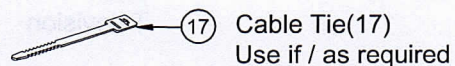
To reduce this possibility we have supplied 90 degree adaptors for both HDMI and Aerial connections.



This will reduce the cable protrusion and lessen the possibility of the cable colliding with the bed frame.

These can be found in the bed frame hardware pack located in Box 2 (foot end). Please refer to the above diagram for the correct fitting of cables. More detailed information can also be found on above diagram of your assembly instructions.

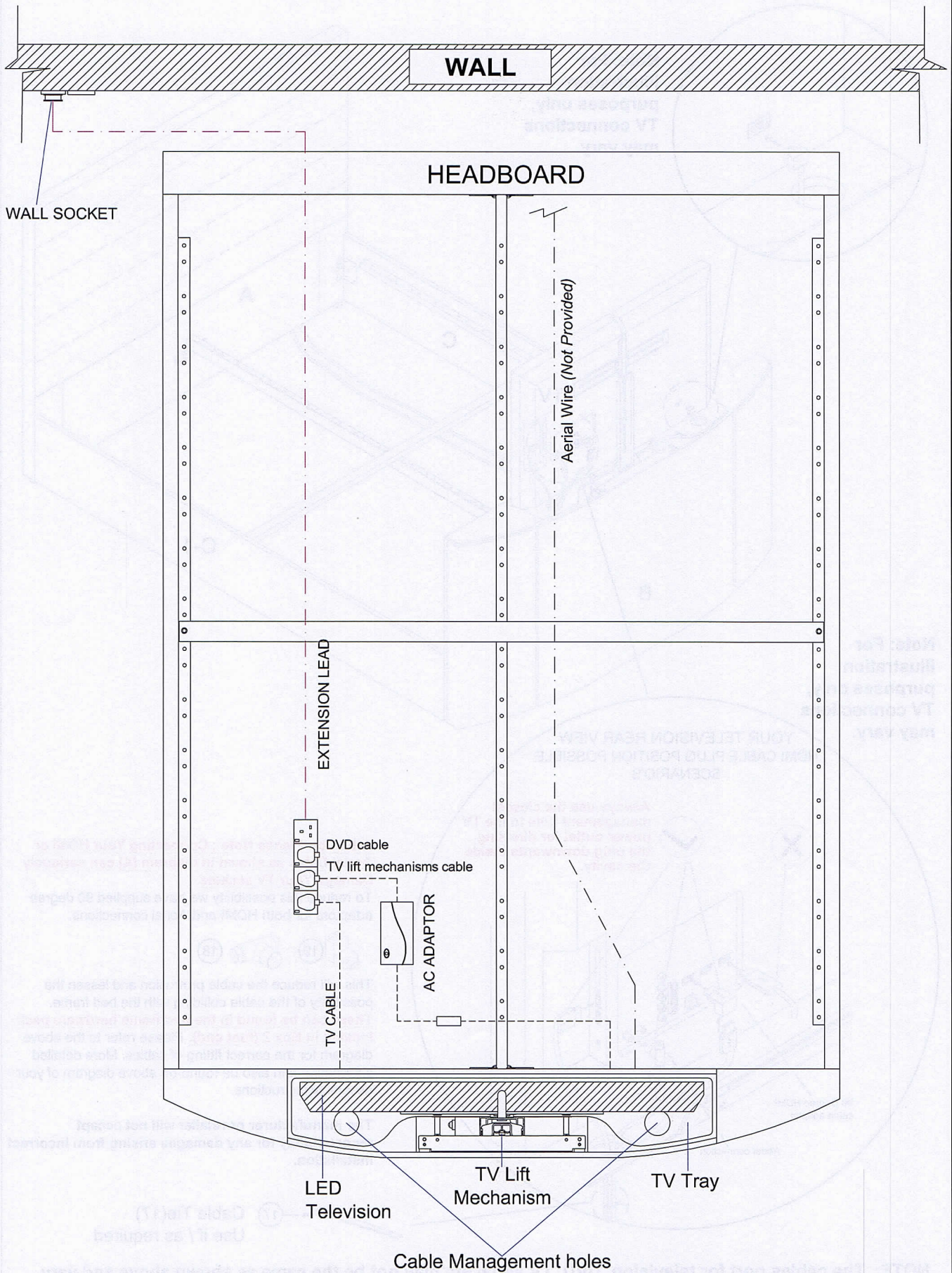
The manufacturer or retailer will not accept responsibility for any damages arising from incorrect installation.



NOTE: The cables port for television, DVD, TV aerial etc may not be the same as shown above and vary depending on TV model.

Step 13

- Detail connection plan.



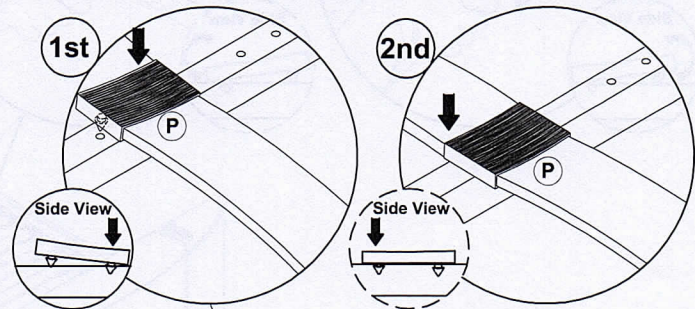
* The TV cable main supply can put either left or right side depends on the TV port location.

Step 14

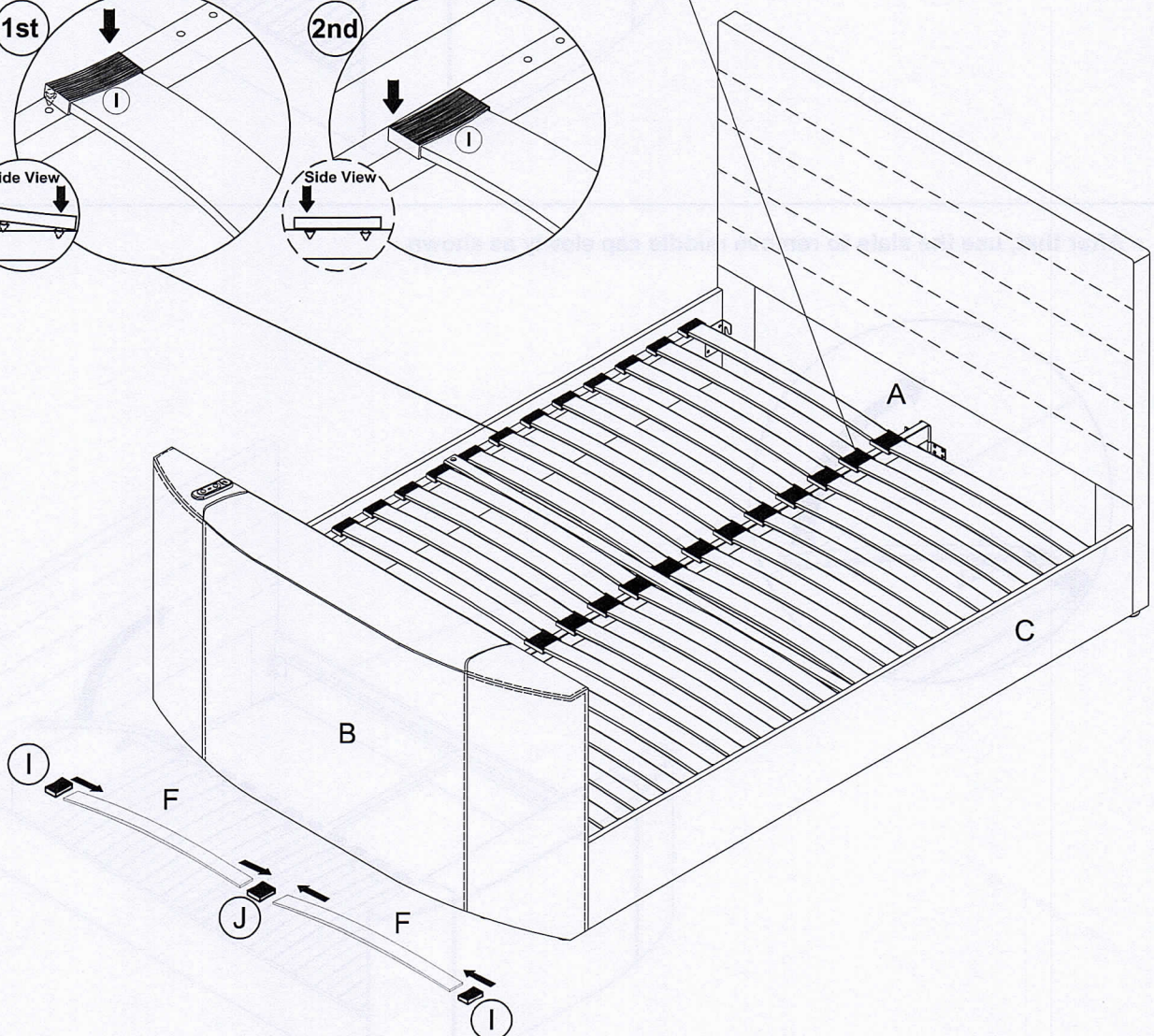
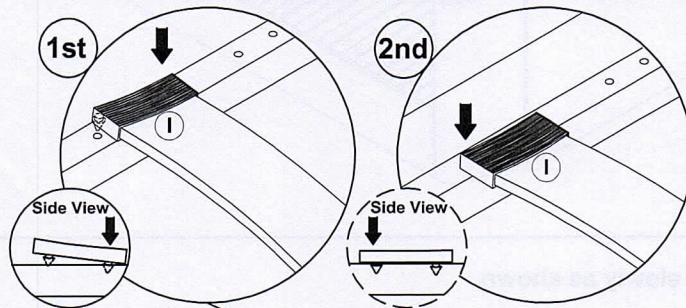
- Attach middle cap and end cap to the bend slat.
- Push the middle cap into the centre rail first.
Then end caps to side rail support as shown in step 14-1 & step 14-2.

* PLEASE REFER TO PAGE (18 of 21), IF NEED TO REMOVE THE SLAT CAPS FROM THE BED

(STEP 14-1) INSERTING MIDDLE CAP TO THE CENTRE RAIL

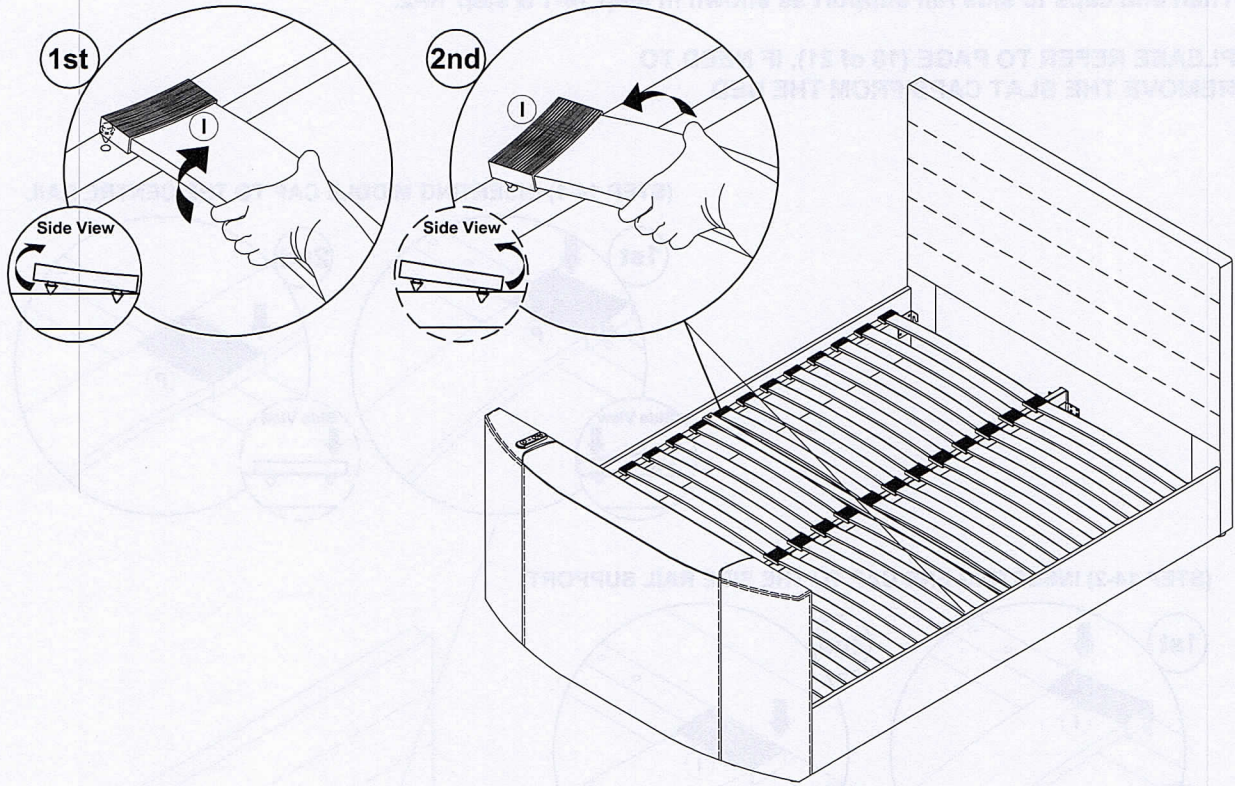


(STEP 14-2) INSERTING END CAP TO THE SIDE RAIL SUPPORT

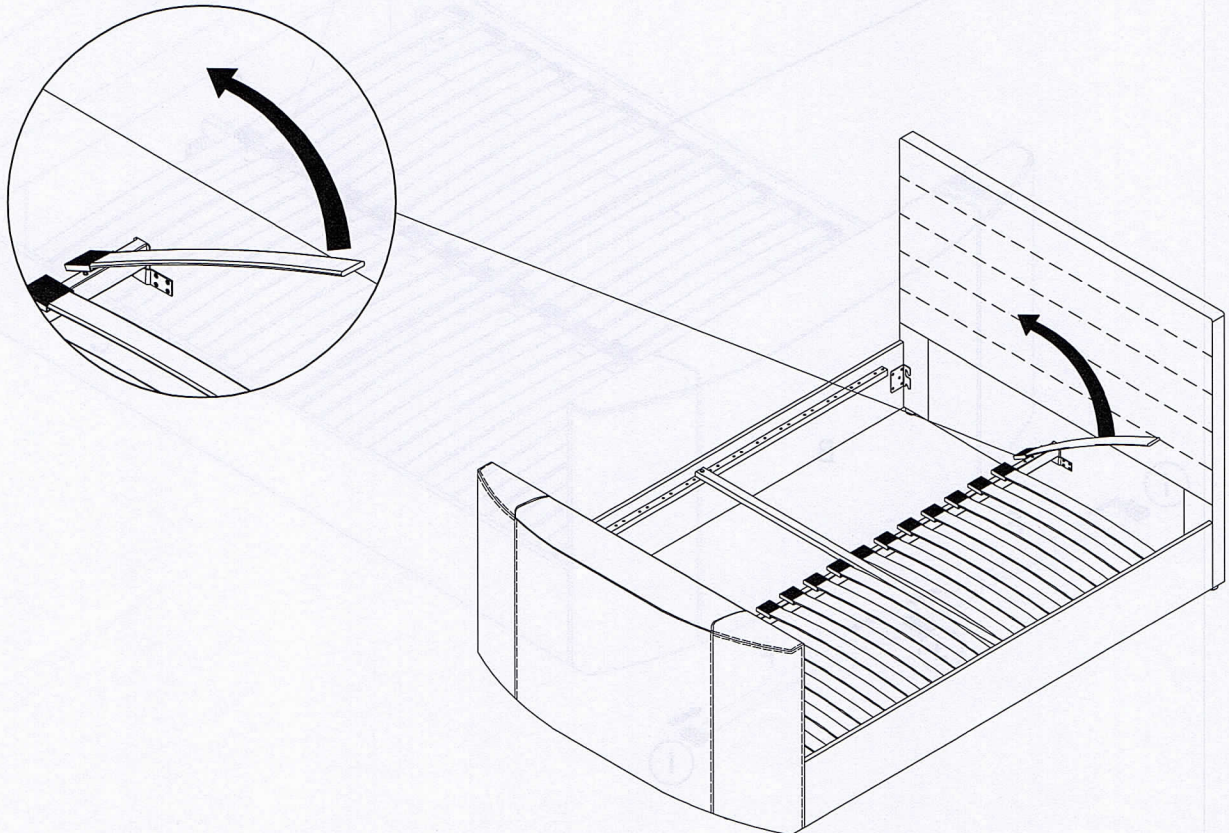


(DISMANTLE THE SLAT CAP)

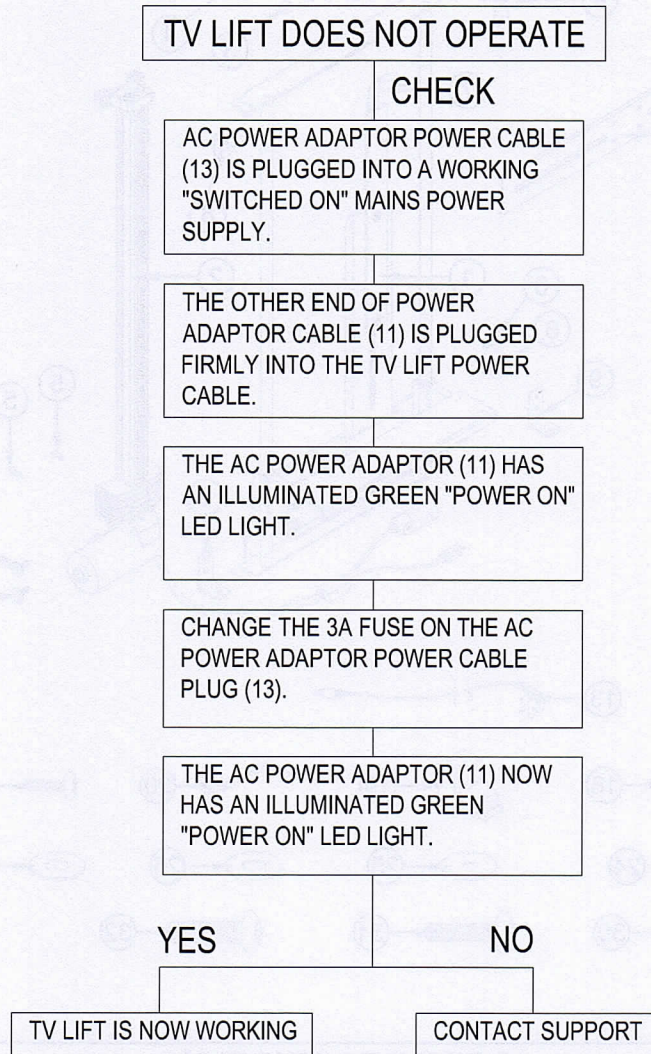
- Firstly, remove both end cap from side rail support & remove one side of slats as shown.



- After that, use the slats to remove middle cap slowly as shown.



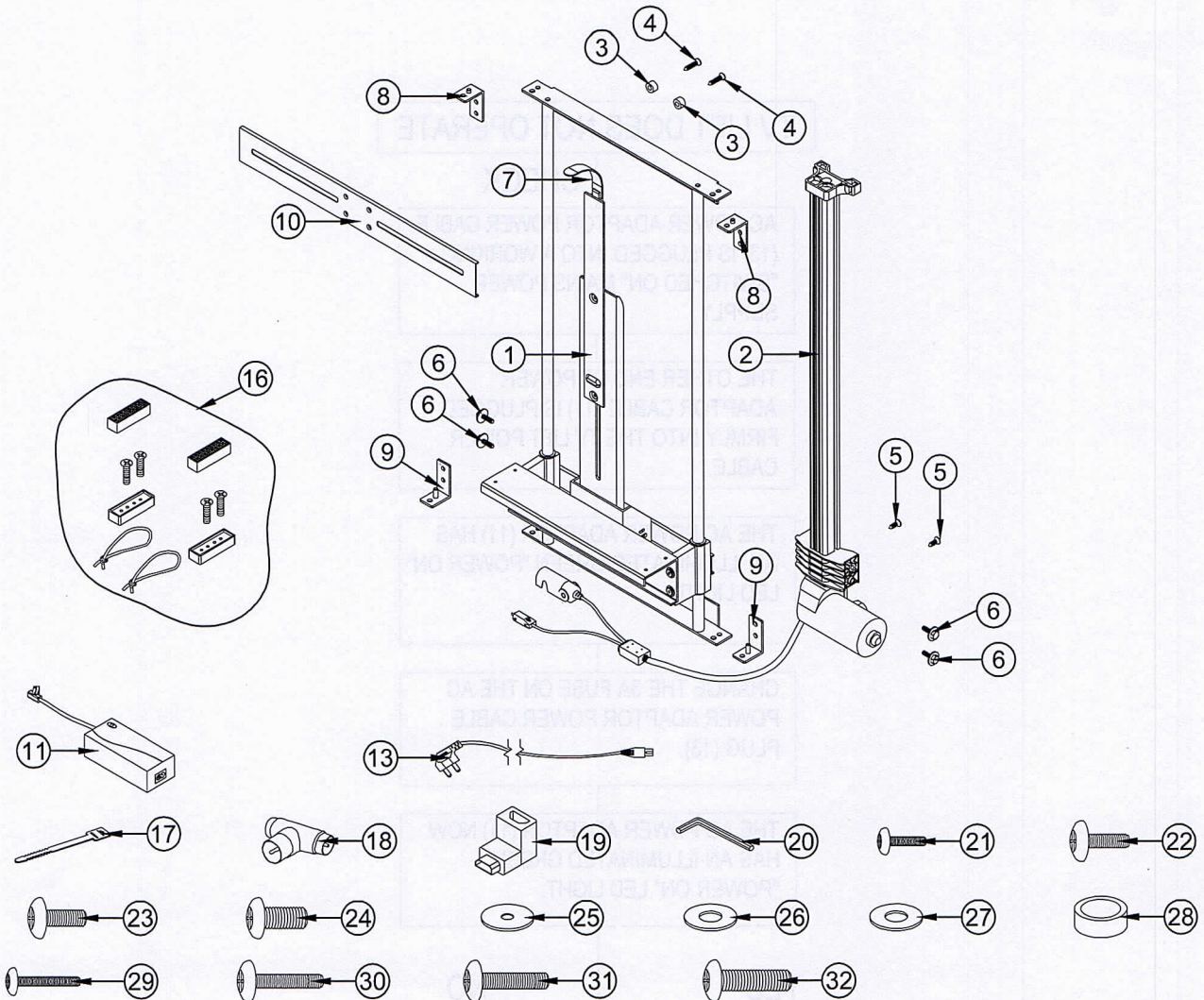
TROUBLE SHOOTING



SPECIFICATION-TV MECHANISM

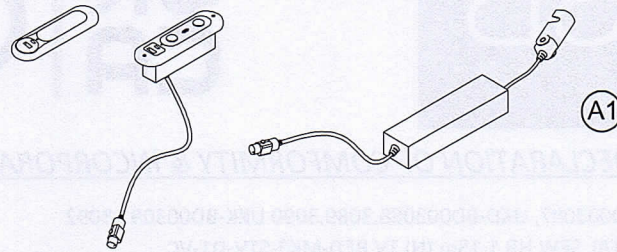
FEATURE	TV LIFT MECHANISM
INPUT	100V-240V~ 50/60Hz 1500mA
OUTPUT	29V ---- 2A
DUTY CYCLE	MAX 10% ; MAX 2 min / 18 min
BATTERY (WIRELESS REMOTE CONTROL)	Size: AAA - Ø10.5 X T44.5mm - Spec.: 1.5V

G4 TV LIFT MECHANISM- OPTI-SERVE SPARE PARTS LIST



ITEM NO.	PART DESCRIPTION	IV CODES
1	Main TV-lift up mechanism (pre- assemble)	IV001281
2	TV-linear actuator G4 (pre-fixed)	
3	Actuator mounting top spacer (2pcs) (pre-fixed)	
4	Cross recessed countersunk flat head wood screw- Top mounting M6 x 30mm (2pcs) (pre-fixed)	IV001282
5	Cross recessed countersunk flat head wood screw- Top mounting M6 x 20mm (2pcs) (pre-fixed)	
6	Actuator mounting bolt- screw M6 x 20mm (4pcs) (pre-fixed)	
7	Gooseneck (pre-fixed)	IV001289
8	Top hanging bracket (2pcs) (pre-fixed)	
9	Bottom hanging bracket (2pcs) (pre-fixed)	IV001636
10	TV- flat bracket (Vesa Bracket) (pre-fixed)	IV001290
11	TV-lift up mechanism AC/ DC adapter	IV001291
13	TV-lift up mechanism AC/ power-cable power plug UK	IV001295
16	TV block (2pcs), screw M4 x 35mm (4pcs), block rubber cover (2pcs), cable management bungee cable (2pcs) (pre-fixed)	IV001635
17	Cable clip (2pcs)-use to fix wire	
18	Aerial connection (1pc)	
19	90 degree HDMI adaptor (1pc)	
20	Allen key (M4) (1pc)	
21	Pan head screw M4 x 20mm (2pcs)	
22	Pan head screw M5 x 20mm (2pcs)	
23	Pan head screw M6 x 20mm (2pcs)	
24	Pan head screw M8 x 20mm (2pcs)	IV001634
25	M5 washer (2pcs)	
26	M6 washer (2pcs)	
27	M8 washer (2pcs)	
28	Plastic collar (6pcs)	
29	Pan head screw M4 x 40mm (2pcs)	
30	Pan head screw M5 x 40mm (2pcs)	
31	Pan head screw M6 x 40mm (2pcs)	
32	Pan head screw M8 x 40mm (2pcs)	

TVG4.05 - BUTTON VOICE CONTROLLER - OPTI-SERVE SPARE PARTS LIST



ITEM NO.	PART DESCRIPTION	IV CODES
A1	TVG4.05 - Button - Voice Controller - HWK (pre- assemble)	IV000102

Symptoms	Suggested Action
Button pressed but system not working. red light is on.	1. Press button 1 & 2 simultaneously for 10s until blue light turn on. The system is ready to use.
Button pressed but system not working. blue light is on.	1. Make sure all the cables connected & main power was switch on. If still not working, kindly replace the voice controller & retry.
No output from USB port.	1. Check whether the blue backlight is on; if yes please replace the voice controller. 2. If the blue backlight is on but no output, please check the harness interface.
No respond from voice controller.	1. Check whether the blue light is on; if NOT it means the controller is not awake. Please wake it up by wake up words & use the voice controlling function when the blue light turn on. 2. Check whether the blue light is on; if YES but no operation by saying command words, means the command is unrecognized, please repeat the command. If the voice controller does not respond for 5 times, please replace the controller.

Light's Colour	Controller's Status	Operating Instructions
No light	Standby status	Press the button or awake the controller by wake up words
Red	Buttons are not working	Unlock the controller by pressing simultaneously button 1 & button 2 for 10s.
Blue	Buttons function are good	Press simultaneously button 1 & button 2 for 5s if you want the system locked.
No Backlight From USB Port	No power output	Check whether power is on & all cable was connected
Blue Backlight From USB / Type-C Port	The function of the USB / Type-C Ports is good	-

SPECIFICATION

Input Voltage	29VDC
USB Type C & A output power	5V~2A, 5V~3A, 9V~2A



UKCA/EU DECLARATION OF CONFORMITY & INCORPORATION

Product ID: UK 4FT-BD003087, UKD-BD003088,3089,3090 UKK-BD003091,3092

Description: HORIZONTAL SEW HB 1.15m (H) TV BED-MK3-STV-D1-VC

Model: MK3-STV-D1-VC (4FT,4FT6 & 5FT)

Manufacturers:

BSSB LEATHER AND FABRIC BEDS SDN BHD

LOT, 728, JALAN KAPAR BATU 4 3/4, KLANG 42200 SELANGOR, MALAYSIA

(Authorized representative):

KAYDIAN DESIGN LIMITED

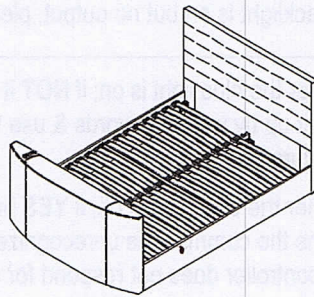
REDBURN HOUSE, REDBURN ROAD, WESTERHOPE, NEWCASTLE UPON TYNE, NE5 1NB TEL:

+44(0)1912712118

Customer: KAYDIAN DESIGN LIMITED

Bed Model: VOX VOICE TV BED

Product Image:



This declaration is issued under the sole responsibility of the manufacturer. We hereby certify that the product stipulated above complies with all the relevant provisions of the following EU/UKCA new approach directive/s:

- Electromagnetic Compatibility (EMC) 2014/30/EU
- Low Voltage Directive (LVD) 2014/35/EU
- Restriction of Hazardous Substances (RoHS) 2011/65/EU
- Machinery Directive (MD) 2006/42/EC

Signed for and on behalf of:

BSSB LEATHER & FABRIC BEDS SDN BHD

Name:

MIKE LIM

Position:

INNOVATION QUALITY MANAGER

Signature:

