

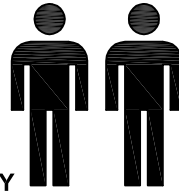
DESCRIPTION:

TITAN 4 OTTOMAN 5.1.2 MEDIA TV BED

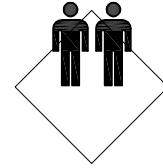
1.5 Hr

APPROXIMATE ASSEMBLY TIME

2 PERSON ASSEMBLY



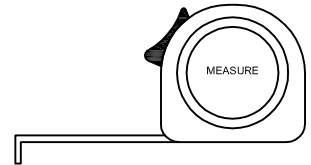
FLOOR AREA
2.5M X 2.5M



CEILING HEIGHT
2.5M

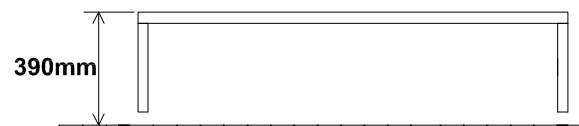
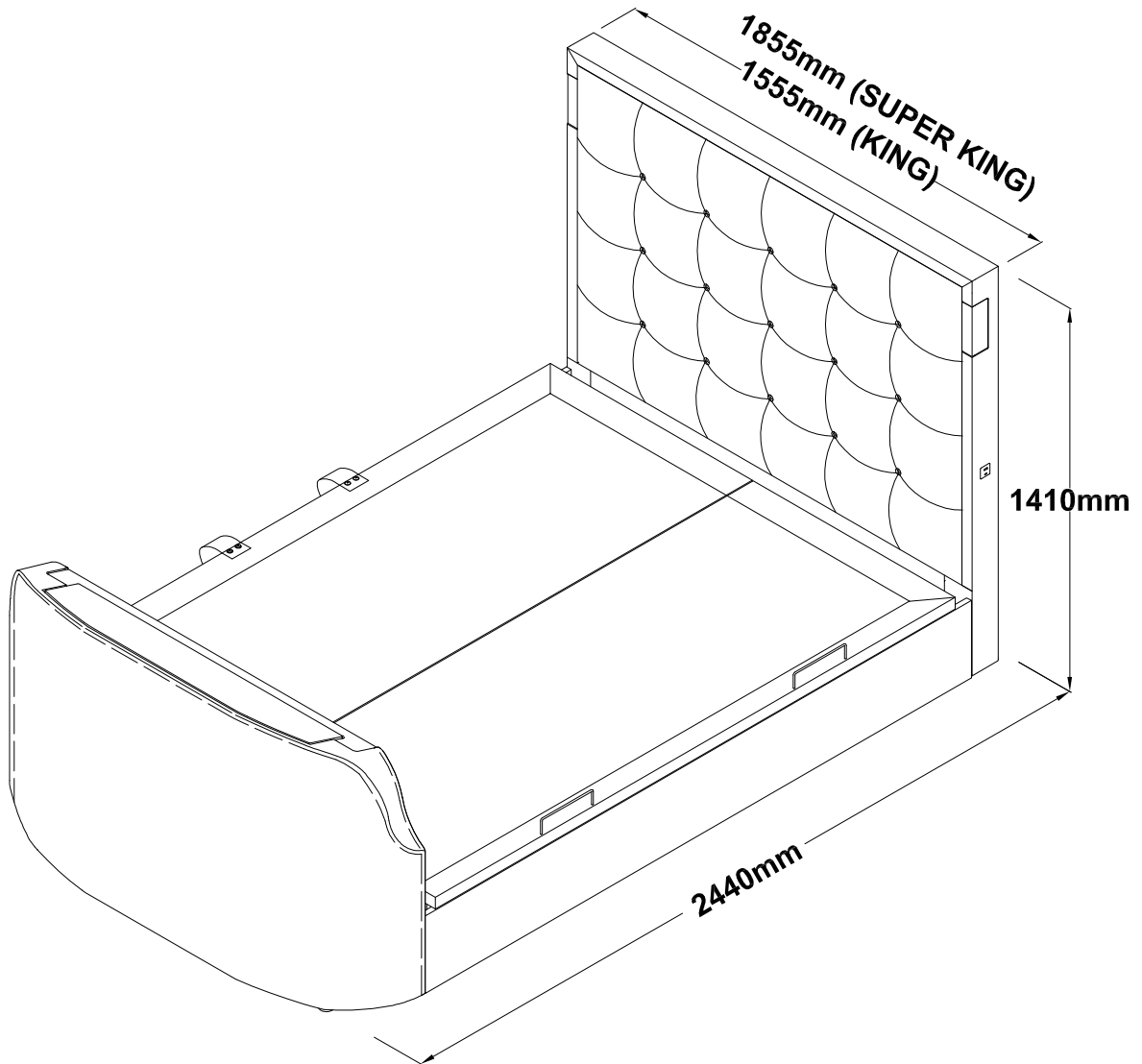
REQUIRED ASSEMBLY SPACE

REQUIRED ASSEMBLY TOOLS



ASSEMBLED DIMENSIONS

KING / SUPER KING BED FRAME



Internal size for mattress = 1540mm x 2080mm (KING)
Internal size for mattress = 1840mm x 2080mm (SUPER KING)

Regrettably self-assembly items cannot be returned once assembly is part or fully completed unless the items are found to be faulty. Should you need to return the unassembled product, please repack in its original packaging.

Important Information

- We suggest you spend a short time reading through this leaflet and then follow the simple step-by-step instructions.
- Carefully check that you have all the parts before beginning assembly.
- Keep fittings out of children's reach and keep children well away from construction area.
- We suggest you retain these instructions for future reference.

Product Information

- **TV bed.**
- **Upholstered Bed Using Vogue Fabric. Conforms to BS EN 1725 & BS 5852.**
- **TV Lift system has a maximum load capacity of 50lbs (25kg)**
- **This product has a cavity and TV lift dimension restriction. Note TV Restrictions : Max Height 58cm Max Width 98cm and Max Depth 7.5cm.**

NOTE:

In the event this product is purchased without an associated TV, or in instances where the user decides to use an alternative TV to the one supplied by the retailer- It is the users responsibility to ensure their chosen television is dimensionally compatible, allowing for Aerial & HDMI leads and all other cables and peripherals (like USB sticks) are managed in a way that does not cause damage to either the product or chosen Television. Please read the disclaimer at the bottom of this page. Please contact the bed manufacturers UK support centre helpline, in instances were you require additional TV set-up information.

Care Instructions

- Avoid exposing the furniture to excessive heat or direct sunlight as this can cause cracking or deterioration of the colour.
- Periodically check & re-tighten any fastener.
- Periodically dust lightly with a clean soft cloth.
- Do not use silicone based furniture polish.
- Any spills should be removed immediately with a soft damp cloth.
- **TAKE CARE WHEN MOVING THE FURNITURE AND NEVER DRAG THE PIECES ACROSS THE FLOOR, AS THIS WILL CAUSE DAMAGE TO THE JOINTS.**

ATTENTION! PLEASE NOTE:

In the event you are experiencing any technical difficulties and you require additional assistance/ support with your product 'Mechanical/ Electrical' function - Please Contact:

SUPPORT EMAIL: support@bssbfurnitureinnovation.com

UK PRODUCT SUPPORT HOTLINE : 01462600064

Contact your retailer for all other issues such as damage, missing or faulty components (non electrical) or anything else of a non technical/electrical nature.

DISCLAIMER

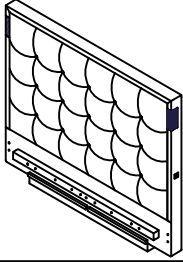
Whereas every effort has been made to allow this product to utilise the maximum number of TV's available it is not possible to accommodate every product in an ever changing market. It is the responsibility of the customer to ensure suitability of the TV to the TV bed before attempting operation. It is the customers responsibility to ensure all wiring is correctly placed in accordance with both the TV and TV bed manufacturer.

Kaydian will not be held responsible for any damage caused to the TV, TV Cabling or TV bed due to incompatibility of equipment used.

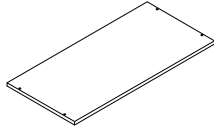
CE	Comforms To :	CE_LIFT_Controller unit Linear actuator in UK/ EU (LVD + EMC + RoHS):
		-EN 60335-1; EN 62233; EN 55014-1; EN55014-2; EN 61000-3-2; EN 61000-3-3;
CE		CE_MEDIA SYSTEM_For Audio System in UK/ EU (LVD + EMC + RoHS):
		-EN 60065; EN 550132; EN 55020; EN 301489, EN300328; EN62479; EN55032;

Components of Carton 1

(A) Headboard x 1



(B) Media
Compartment
Base Panel x 1



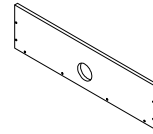
(C) Media
Compartment Side
Panel (Left) x 1



(D) Media
Compartment Side
Panel (Right) x 1



(E) Media
Compartment
Rear Panel x 1

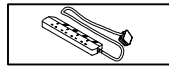
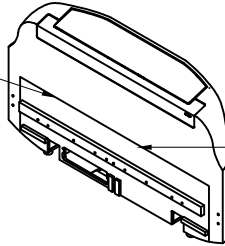


Hardware
Bag

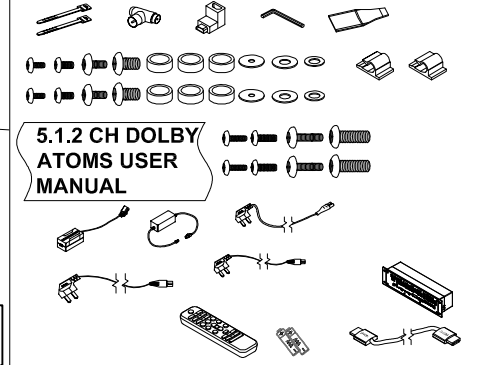
Component of Carton 2

(F) Footboard x 1

TV Mechanism
pre-fixed in the foot end

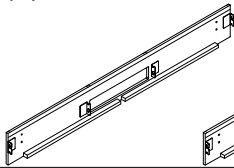


Hardware Box

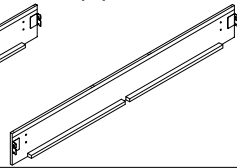


Components of Carton 3

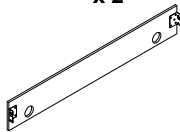
(G) Side Rail-1 x 1



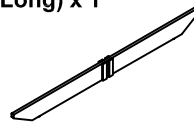
(H) Side Rail-2 x 1



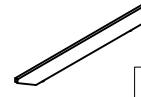
(I) Centre Panel
x 2



(J) Bottom Cross Rail
(Long) x 1



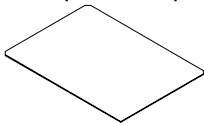
(K) Bottom Cross Rail
(Short) x 2



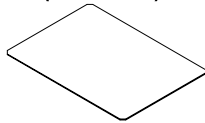
Hardware
Bag

Components of Carton 4

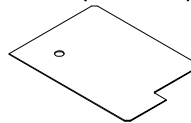
(L-1) Bottom Base
Left x 1 (Head End)



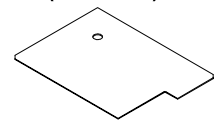
(L-2) Bottom Base
Right x 1 (Head End)



(M) Bottom Base
Left x 1 (Foot End)

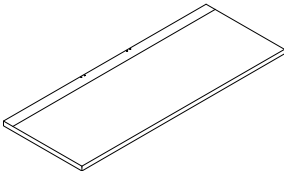


(N) Bottom Base
Right x 1 (Foot End)

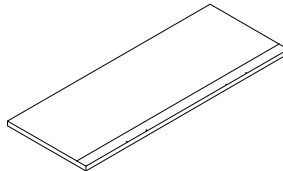


Components of Carton 5

(O) Lift Base -1 x 1

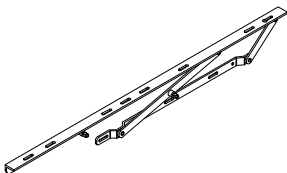


(P) Lift Base -2 x 1

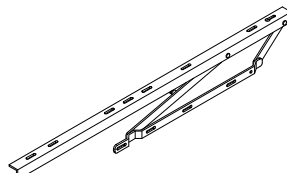


Components of Carton 6


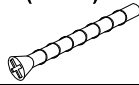


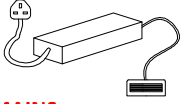
(Q) Lift Up Mechanism Left x 1






(R) Lift Up Mechanism Right x 1




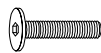

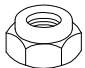
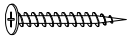
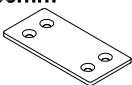
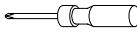




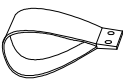


Hardware List (in Carton 1)

<p>(S) M8 x 25mm x 9 (Pre-Installed)</p> 	<p>(T) M5 x 35mm (Black) x 12</p> 	<p>(U) M8 x 16mm x 4</p> 	<p>(V) M8 Washer x 5</p> 
<p>(W) 6 Way AC Adaptor x 1</p>  <p>MUST BE PLUGGED DIRECTLY INTO A MAINS SOCKET AND NOT AN EXTENSION LEAD</p>			

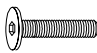

Hardware List (in Carton 2)

<p>(S) M8 x 25mm x 9 (Pre-Installed)</p> 	<p>(V) M8 Washer x 5</p> 	<p>(X) M4 x 12mm x 4 (Pre-Installed)</p> 	
--	--	--	--

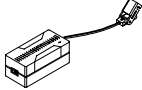
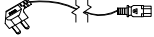
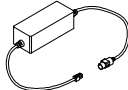


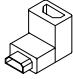


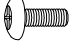
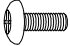
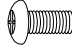








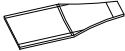

Hardware List (in Carton 3)

<p>(U) M8 x 16mm x 8 (Pre-Installed)</p> 	<p>(Y) M6 x 20mm x 4</p> 	<p>(Z) M6 Washer x 4</p> 	<p>(AA) M8 Lock Nut x 4</p> 
<p>(AB) Rattan Screw x 16</p> 	<p>(AC) 3 X 40 X 86mm x 4</p> 	<p>(AD) Screw Driver x 1</p> 	<p>(AE) Allen Key M4 x 1</p> 
<p>(AF) Spanner x 1</p> 	<p>(AG) Gas Spring x 2</p>  <p>* DOUBLE 800N * KING 1000N * SUPER KING 1400N</p>	<p>(AH) Ø5 x 80 x 200mm Black x 2</p> 	
<p>(AI) Strap Handle x 2</p> 	<p>(AJ) LED Censor Light x 1</p> 	<p>(AK) Screw x 2</p> 	

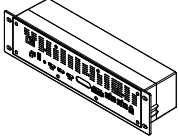
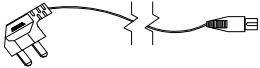
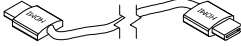

Hardware List (in Carton 5)

<p>(Y) M6 x 20mm x 14 (Pre-Installed)</p> 	<p>(Z) M6 Washer x 12 (Pre-Installed)</p> 	
---	---	--

Hardware List-TV Lift & TV Connection (in Carton 2)

<p>(12) AC Adaptor x 1</p> 	<p>(13) TV lift up mechanism AC/ power cable power plug x 1</p> 	<p>(14) Control Box x 1</p> 	<p>(15) Cable Clip x 2</p> 
<p>(16) Aerial Connection x 1</p> 	<p>(17) 90 degree HDMI adaptor x 1</p> 	<p>(18) Allen Key M4 x 1</p> 	<p>(19) PH Screw M4 x 20mm x 2</p> 
<p>(20) PH Screw M5 x 20mm x 2</p> 	<p>(21) PH Screw M6 x 20mm x 2</p> 	<p>(22) PH Screw M8 x 20mm x 2</p> 	<p>(23) M5 Washer x 2</p> 
<p>(24) M6 Washer x 2</p> 	<p>(25) M8 Washer x 2</p> 	<p>(26) Plastic Collar x 6</p> 	<p>(27) PH Screw M4 x 40mm x 2</p> 
<p>(28) PH Screw M5 x 40mm x 2</p> 	<p>(29) PH Screw M6 x 40mm x 2</p> 	<p>(30) PH Screw M8 x 40mm x 2</p> 	<p>(31) Wireless Remote Control Pocket x 1</p> 
<p>(32) Cable Clip x 2</p> 			

Audio / Speaker System Connection Hardware (In Carton 2)

<p>(VIII) Amplifier x 1</p> 	<p>(X) AC Power Cord x 1</p> 	<p>(XI) HDMI Cable x 1</p> 	<p>(XII) Remote Control x 1 Batteries x 2</p> 
---	--	---	---

IMPORTANT OTTOMAN SAFETY WARNINGS

- **IMPORTANT-READ CAREFULLY-RETAIN FOR FUTURE REFERENCE**
- You must ensure that the mattress is on the bed frame before operating the lift mechanism-Failure to do so could result in injury.



- Keep hands clear of the mechanism when opening or closing the ottoman.
- **Beware of entrapment - Never reach in through the Mechanism Arm to access the storage area.**
- Always ensure that the ottoman is FULLY opened before accessing the storage area.
- Use caution when operating, always use the handle when lifting.
- Note: This bed uses a pressurised mechanism.
- To be operated by adults only.
- Please ensure that children and pets are kept away from the bed when operating the lift mechanism.
- Keep children and pets away from the storage area.
- Do not overload the internal storage base.
- Do not stand inside the internal storage area of the bed.
- Before removing the mattress secure the frame to ensure it does not open unexpectedly.
- Do not attempt to lie on the mattress when the ottoman is in the raised position.
- When lifting the ottoman remove all bedding except the fitted sheet.

Top Tips before you start!

1. Please check that all parts are present before you start the assembly of your furniture, as once assembled, the furniture is exempt from our home approval policy.
2. For ease and speed of assembly, we recommend that before you commence each step of the assembly, that you identify all the parts required for that step.
3. For larger items, please ensure that you have sufficient space and people (as indicated on page 1) to assemble your product safely.
4. We recommend that, where possible, all items are assembled near to the area in which they will be placed in use, to avoid moving the product unnecessarily once assembled.
5. For the protection of your furniture, particularly items of high gloss finish, we recommend that the product is placed on a protected surface during assembly to prevent any damage.
6. During assembly please take care not to over-tighten any fittings, as this may damage the product.

Care and Maintenance of your Furniture

- Please periodically check all fittings and re-tighten as necessary.
- To clean your item, please use a damp cloth and wipe clean.
- Please do not jump on your furniture.
- Never allow any kind of liquid to remain on your furniture. Absorption can cause finishes to de-laminate.
- Periodically check the condition of your bed slats and plastic locating caps to ensure they are in good condition and have not become loose.
- This is very important when moving your bed. It is best to lift the bed, and never to drag it.
- Please kindly take account of your floor covering when assembling a new bed! If the floor offers little resistance (such as wood or laminate) then it is recommended to use rug or similar be placed under each leg.

NOTE

The audio user manual is available and has been included inside the accessories box. This is importance of providing clear instructions and the audio user manual has been designed to assist users in understanding the features and functionalities of our product. It contains detailed information on how to set up, operate, and troubleshoot any potential issues that may arise.

We highly recommend that you familiarize yourself with the contents of the audio user manual before using the product. It will ensure a seamless and enjoyable experience, while also addressing any queries or concerns that you may have.

CAUTION

If you are using a USB storage device in the TV USB port. It may cause unexplained issues with the TV bed media system. Please unplug the USB storage device when not in use.

PLEASE NOTE.

If you are using TV's which are not listed as compatible in your user instructions, Unusual scenario's may arise with the CEC connection system on your tv.

ATTENTION! PLEASE NOTE:

In the event you are experiencing any technical difficulties and you require additional assistance/ support with your product 'Mechanical/ Electrical' function - Please visit:

SUPPORT EMAIL: support@bssbfurnitureinnovation.com

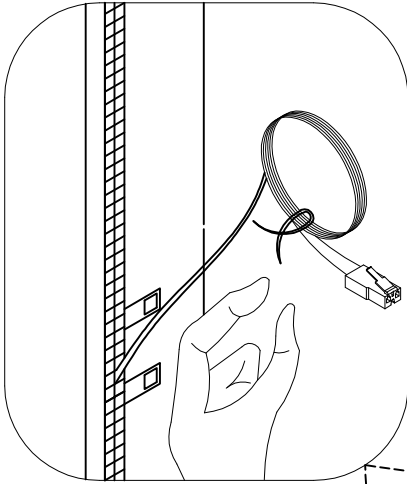
UK PRODUCT SUPPORT HOTLINE : 01462600064

Contact your retailer for all other issues such as damage, missing or faulty components (non electrical) or anything else of a non technical/electrical nature.

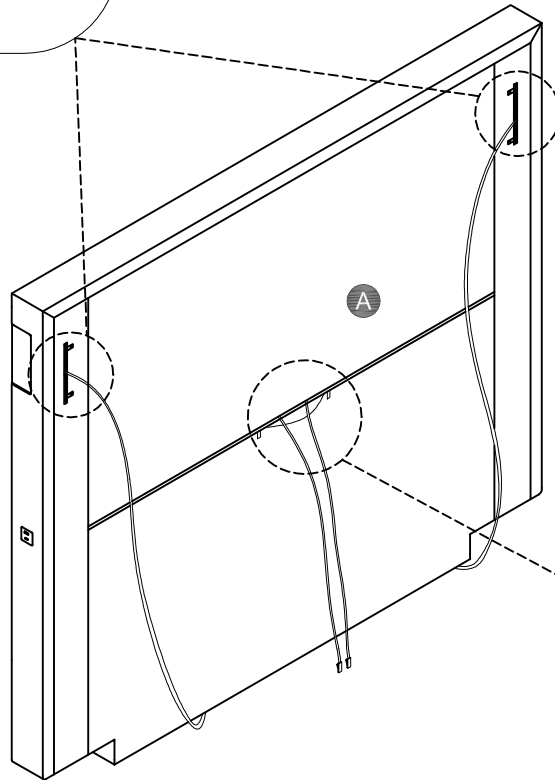
DO NOT USE ANY POWER TOOLS AS THIS MAY DAMAGE THE FRAME AND WILL INVALIDATE ANY CLAIM

STEP 1

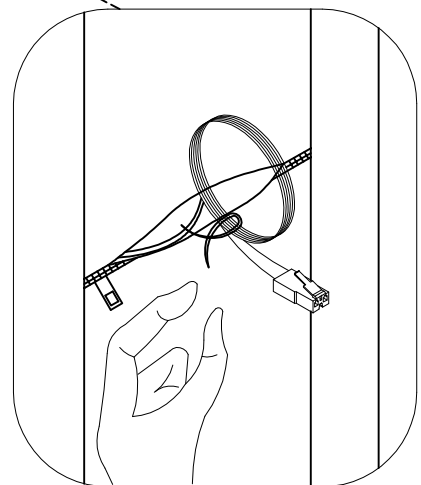
- The head end will be against the wall.
- Remove the cable tie.
- Pull through the Surround Speaker cables and position as shown in the image below.



Surround
Speaker
Cables

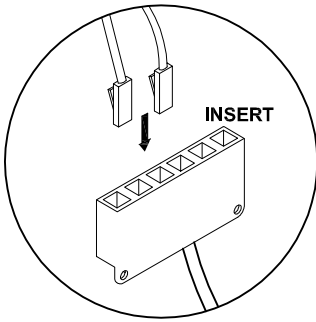


USB Charger
Cables

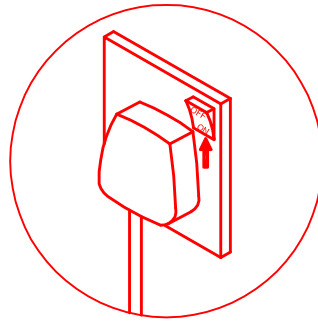


STEP 2

- Insert all the connector to the 6 way AC adaptor (W) as shown.
- Plug the LED Driver directly into a mains wall socket..

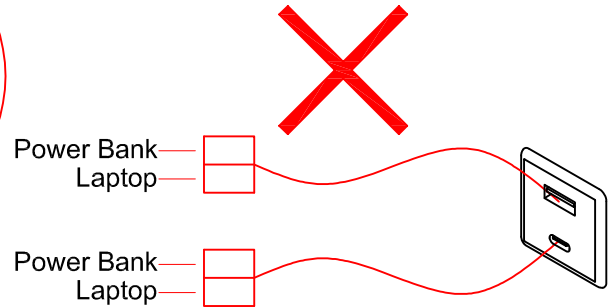


STEP 1
INSERT ALL THE MALE CONNECTOR
TO 6 WAY AC ADAPTOR.

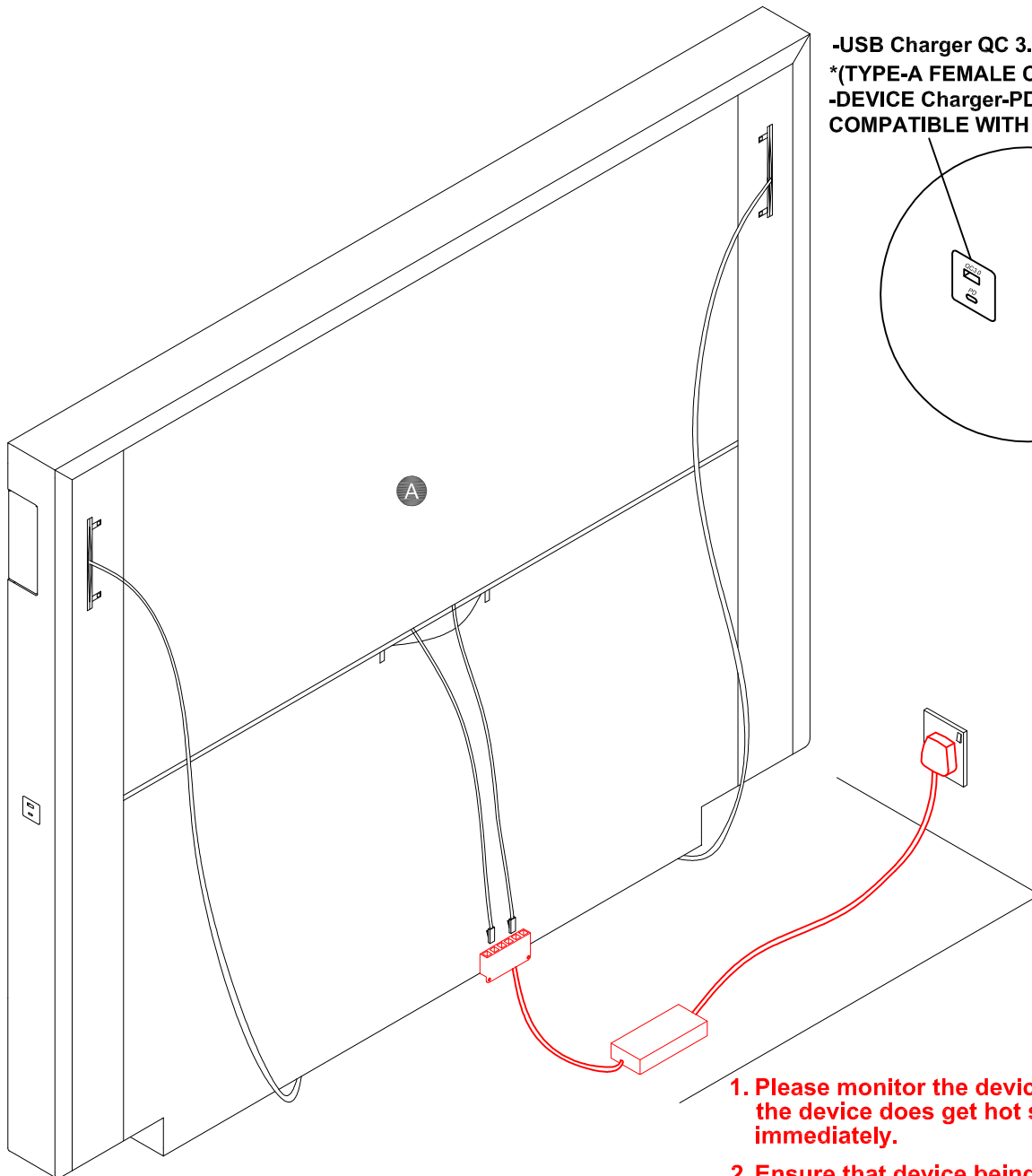
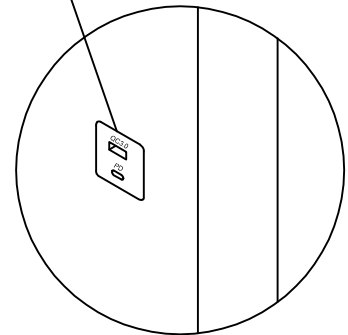


STEP 2
**CONNECT THE 6 WAY AC
ADAPTOR PLUG TO THE MAIN
POWER SUPPLY.**

Do not charge the following items



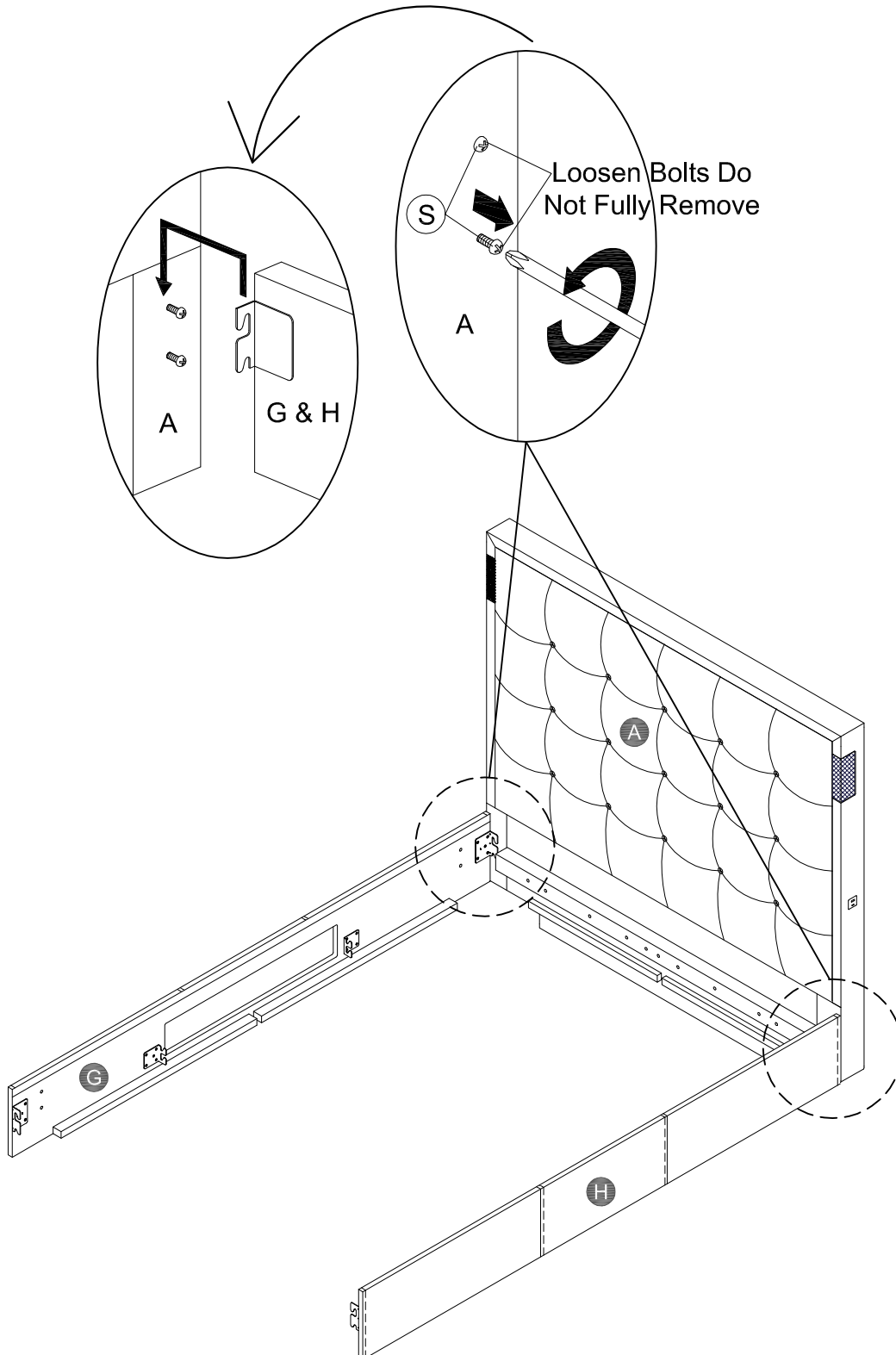
-USB Charger QC 3.0
*(TYPE-A FEMALE CONNECTOR)-
-DEVICE Charger-PD
COMPATIBLE WITH TYPE C CONNECTOR



1. Please monitor the device under charge, if the device does get hot stop using charger immediately.
2. Ensure that device being charged are free of moisture and the charging cable is in good condition.
3. Please refer to respective device user manual to seek the suitability of charging method.

STEP 3

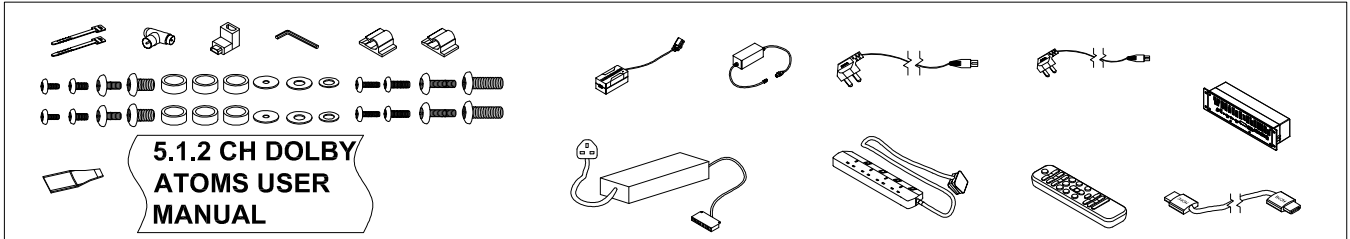
- Before assembly please decide which side you require the "DVD / Media Compartment" Part 'G' side rail with opening will need to be placed at that side.
- Loosen the bolts located in the head end. (Note: only loosen the bolts Do **NOT** remove them.)
- Hook the side rail over the bolts as shown.
- Repeat the action on the opposite side.



STEP 6

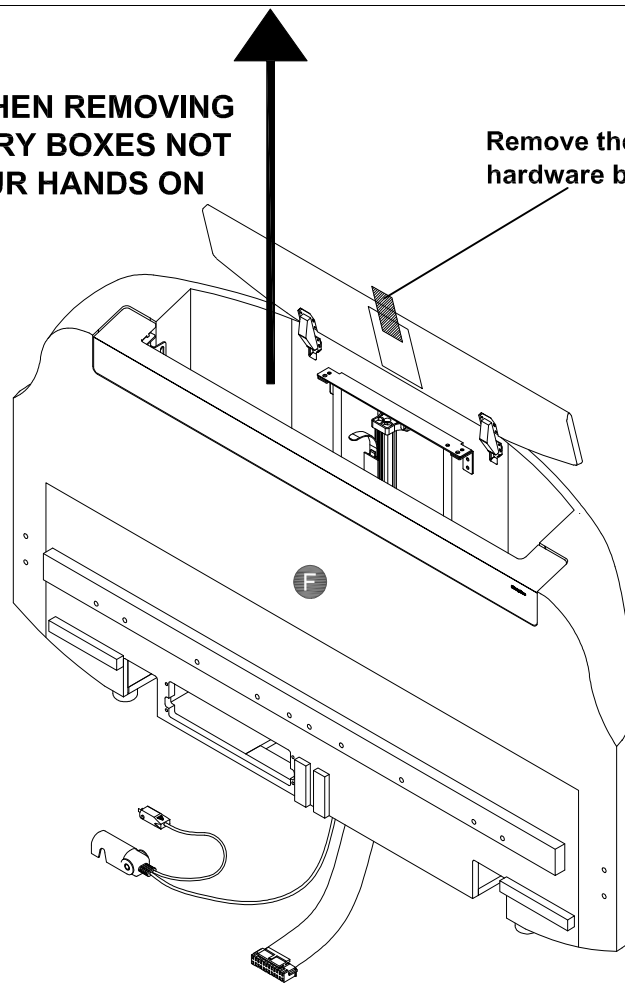
- Remove the Hardware Box from inside.
- Attach back the gooseneck to the tv mechanism.
- Remove the velco from the lid.

Hardware Box



CAUTION:
TAKE CARE WHEN REMOVING
THE ACCESSORY BOXES NOT
TO CATCH YOUR HANDS ON
THE SIDES.

Remove the velcro after take out the
hardware box from foot end.



ATTENTION! PLEASE NOTE:

In the event you are experiencing any technical difficulties and you require additional assistance/ support with your product 'Mechanical/ Electrical' function - Please visit:

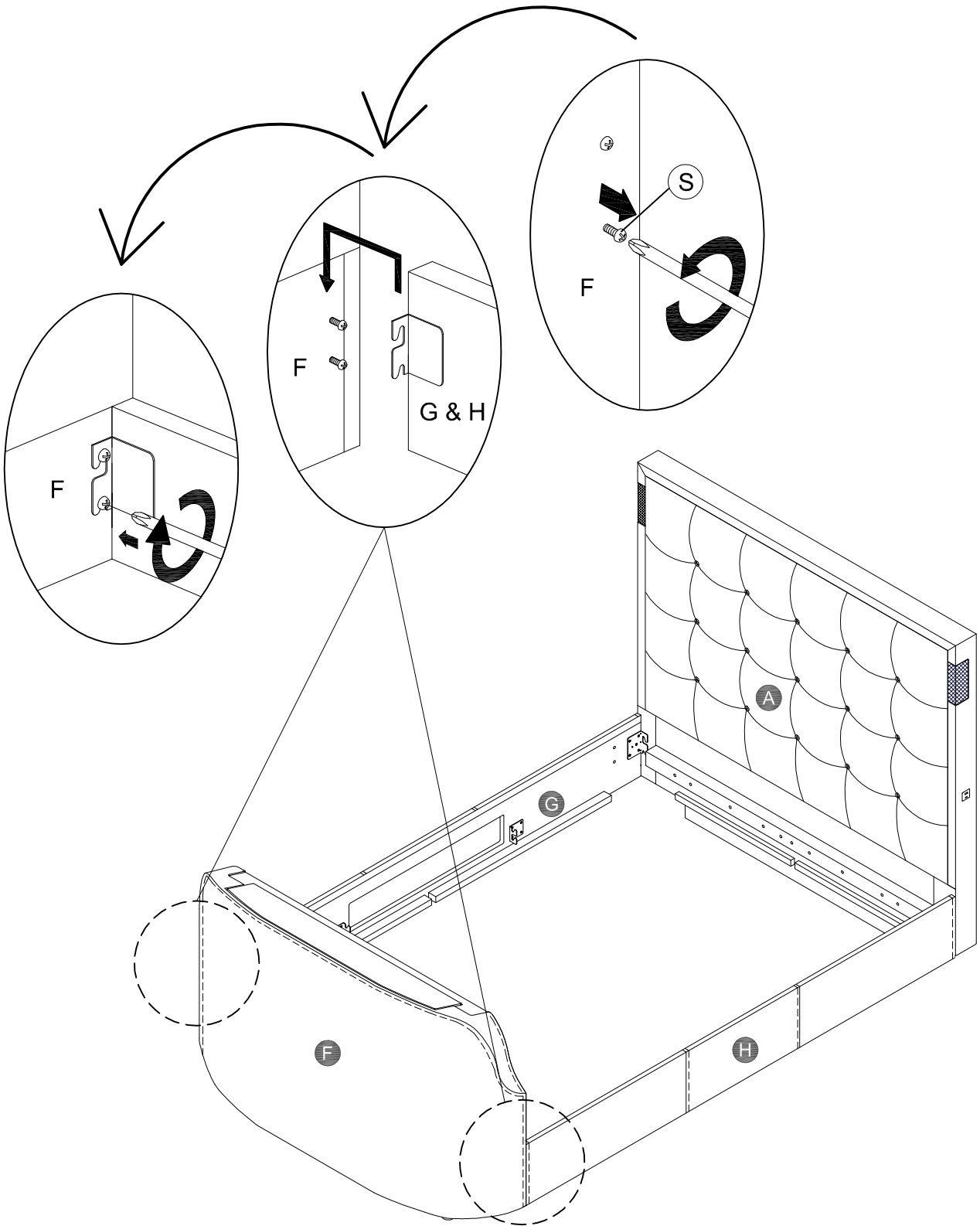
SUPPORT EMAIL: support@bssbfurnitureinnovation.com

UK PRODUCT SUPPORT HOTLINE : 01462600064

Contact your retailer for all other issues such as damage, missing or faulty components (non electrical) or anything else of a non technical/electrical nature.

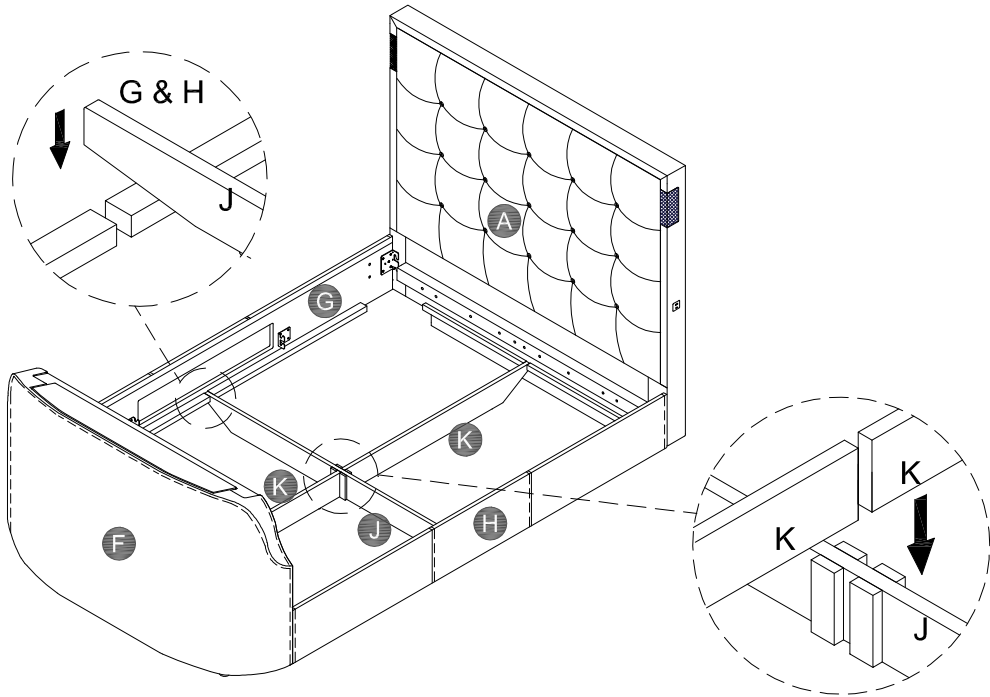
STEP 7

- Loosen the bolts located in the foot end.
- Please note these should only be loosened and **NOT** removed.
- Hook the side rail brackets over the bolts on both sides.
- Leave bolts finger tight (Do Not Tighten).



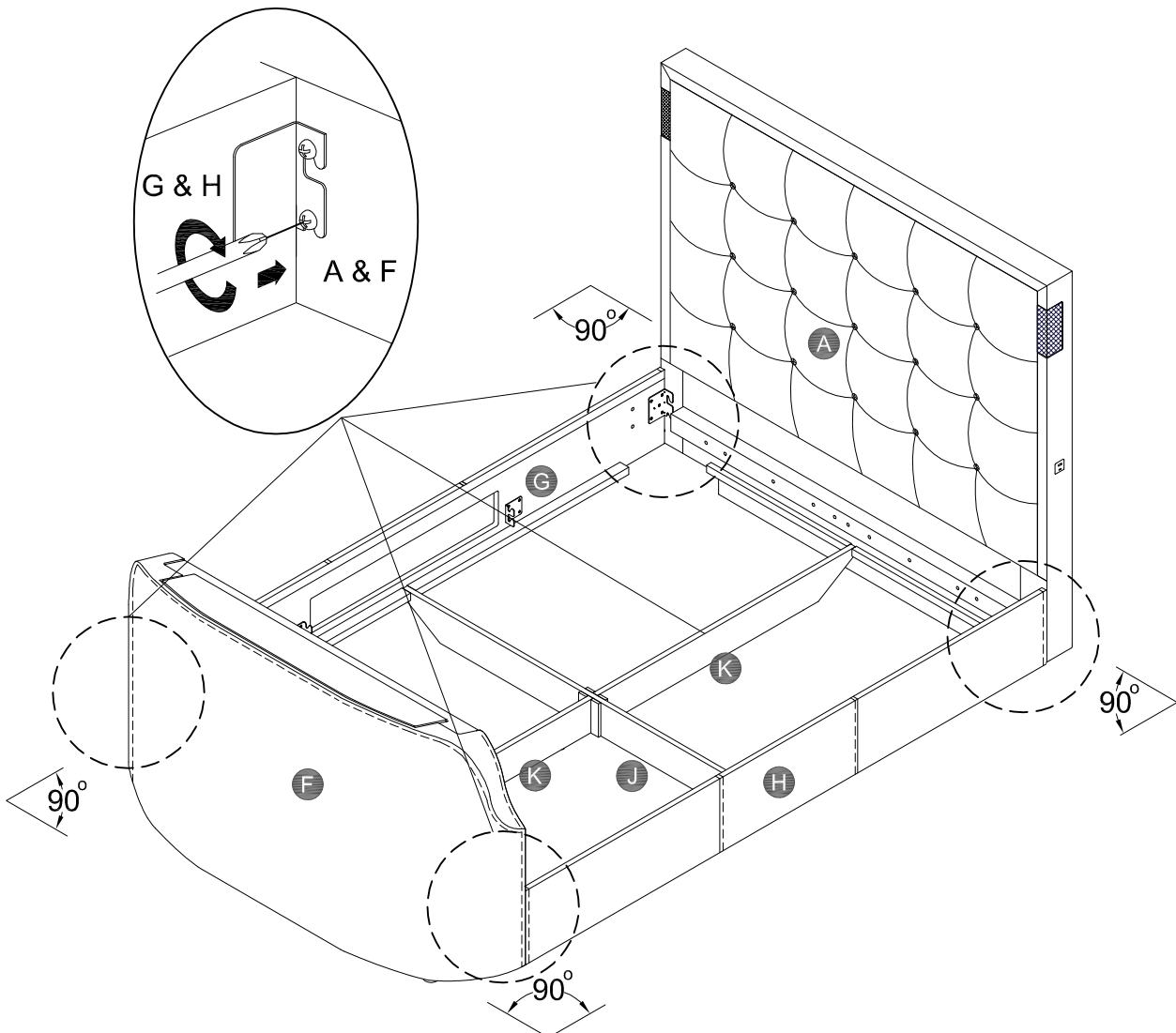
STEP 8

- Attach the bottom cross rail (Long) (J) & Bottom cross rail (Short) (K) to the headboard and side rail as shown. Being careful not to catch the fabric.



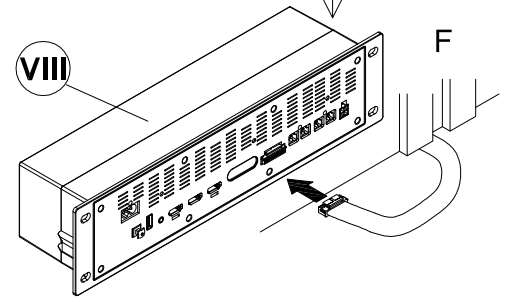
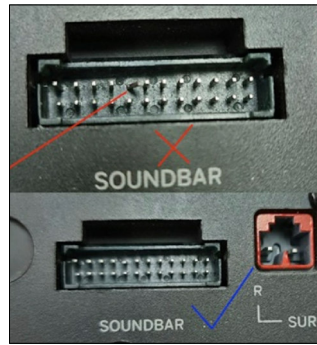
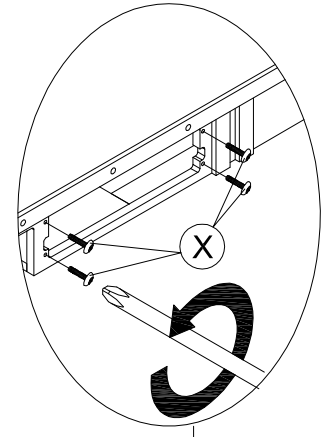
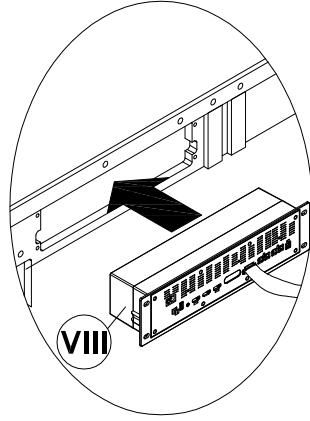
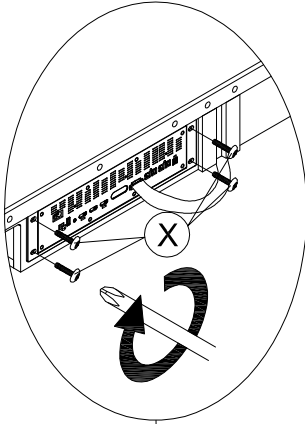
STEP 9

- Tighten all the bolts in headboard, footboard and side rail as shown.
- Make sure the four bed frame interior angles are at 90°.



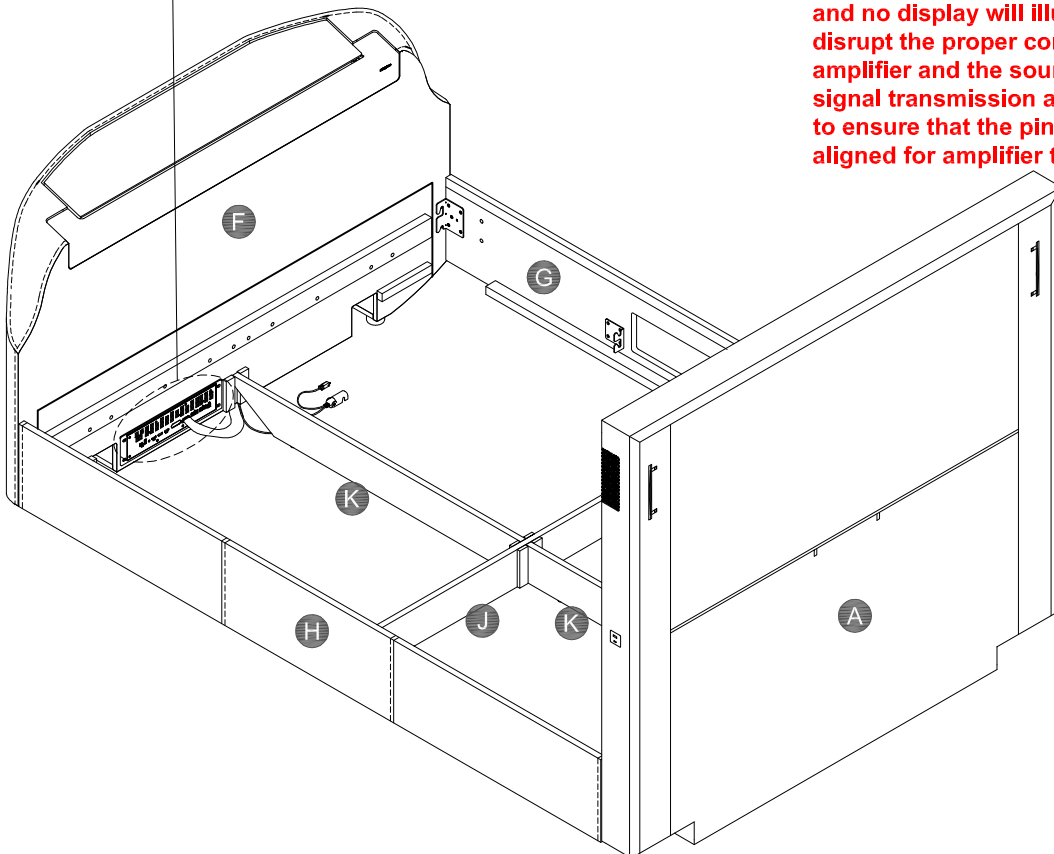
STEP 10

- Remove the bolt (X) on foot end as shown.
- Connect the control cable - Sound bar to the Amplifier (VIII) as shown.
- Attach the amplifier (VIII) to the foot end.
- Then tighten the amplifier (VIII) with the bolt (W).
- For more detail information "Amplifier" please refer to 5.1.2 CH DOLBY ATMOS user manual (pages 5).



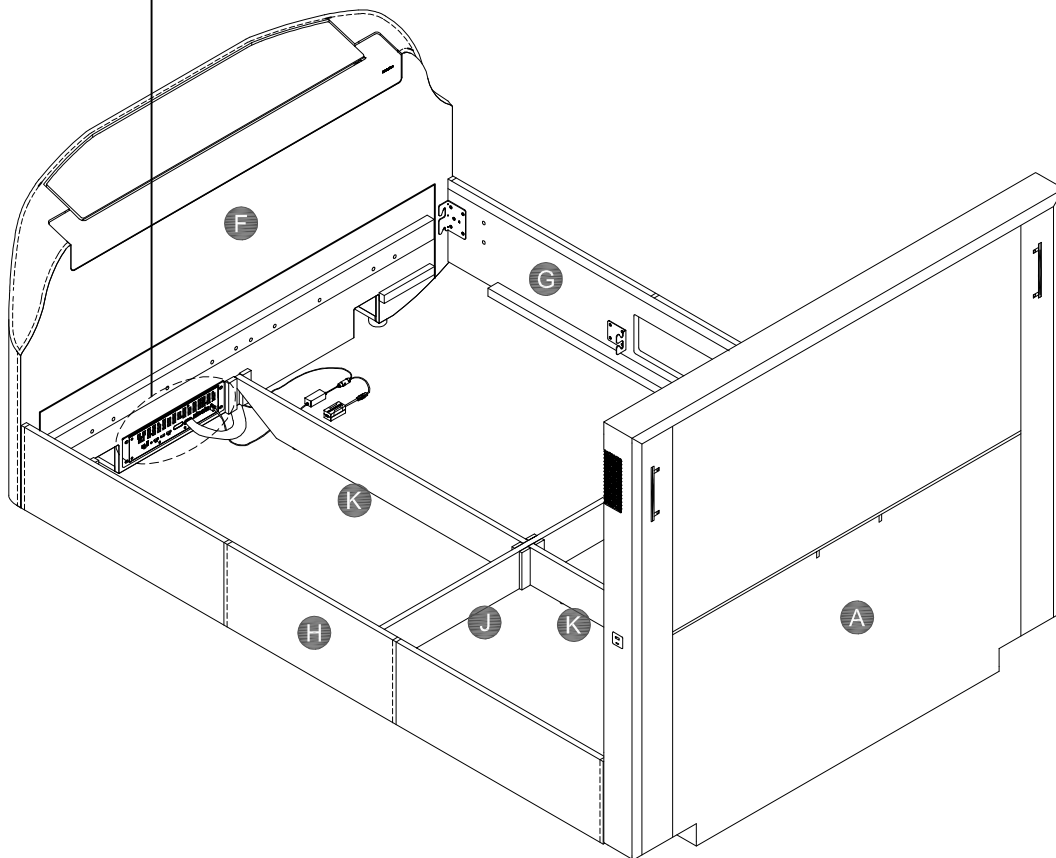
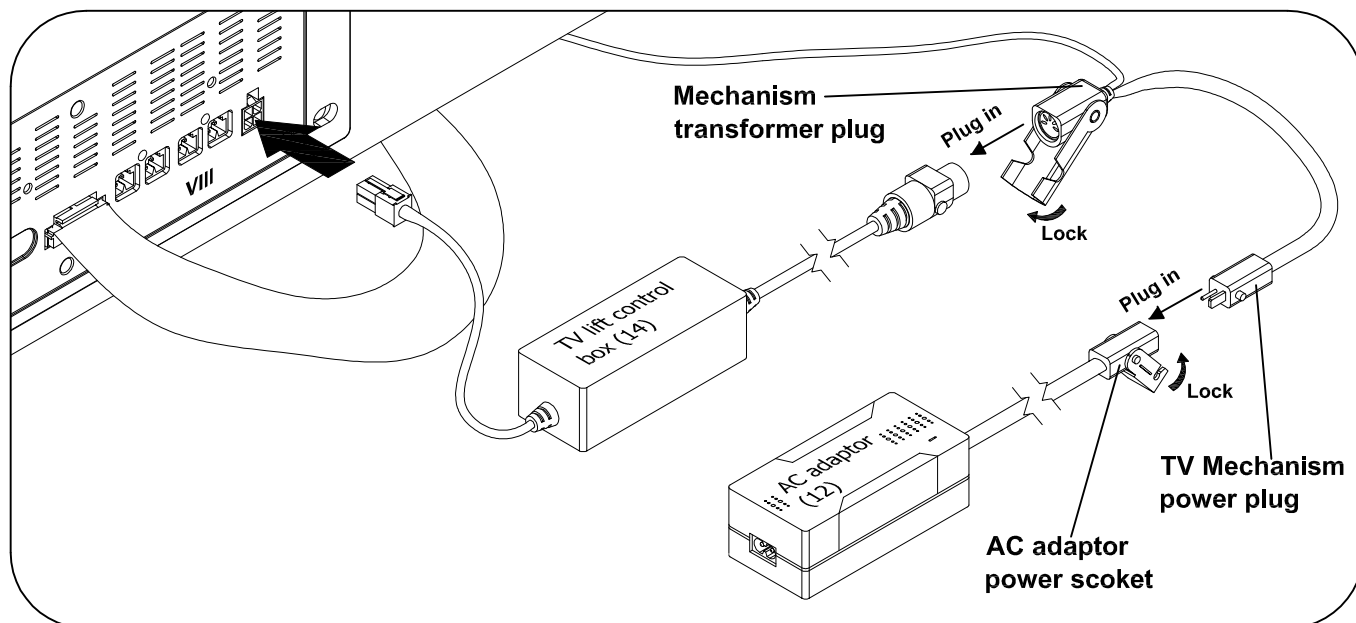
CAUTION:

If the pins of the amplifier data connector are bent, it can affect the function of the amplifier and no display will be illuminated. Bent pins can disrupt the proper connection between the amplifier and the sound bar, leading to loss of signal transmission and display. It is important to ensure that the pins are straight and properly aligned for the amplifier to function correctly.



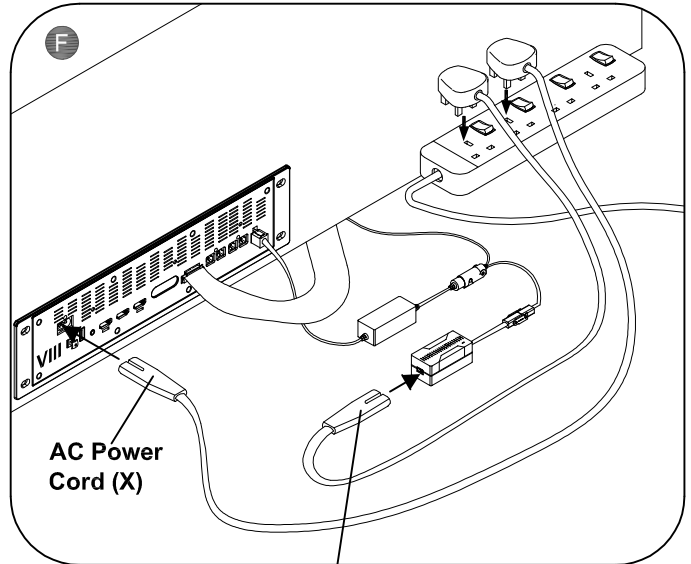
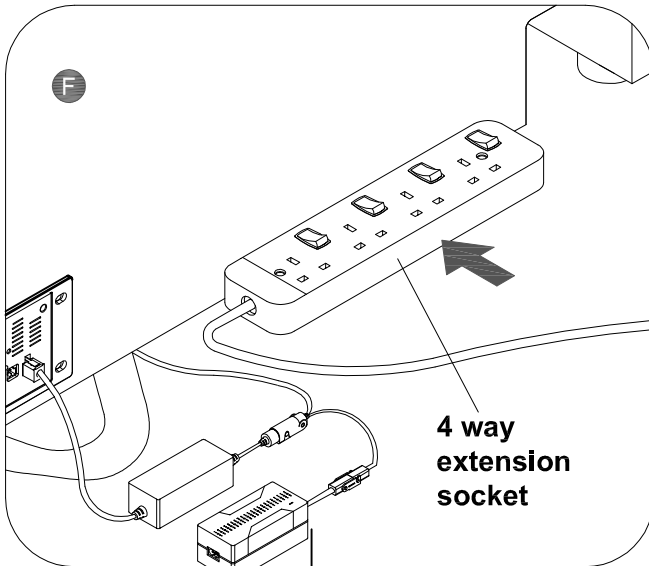
STEP 11

- Connecting the cable as shown. Failure to do so may result in damage to your product.
- Connect the TV lift control box socket (14) to the Amplifier (VIII) and the Mechanism transformer plug.
- Connect the AC adaptor power socket (12) to TV mechanism power plug.

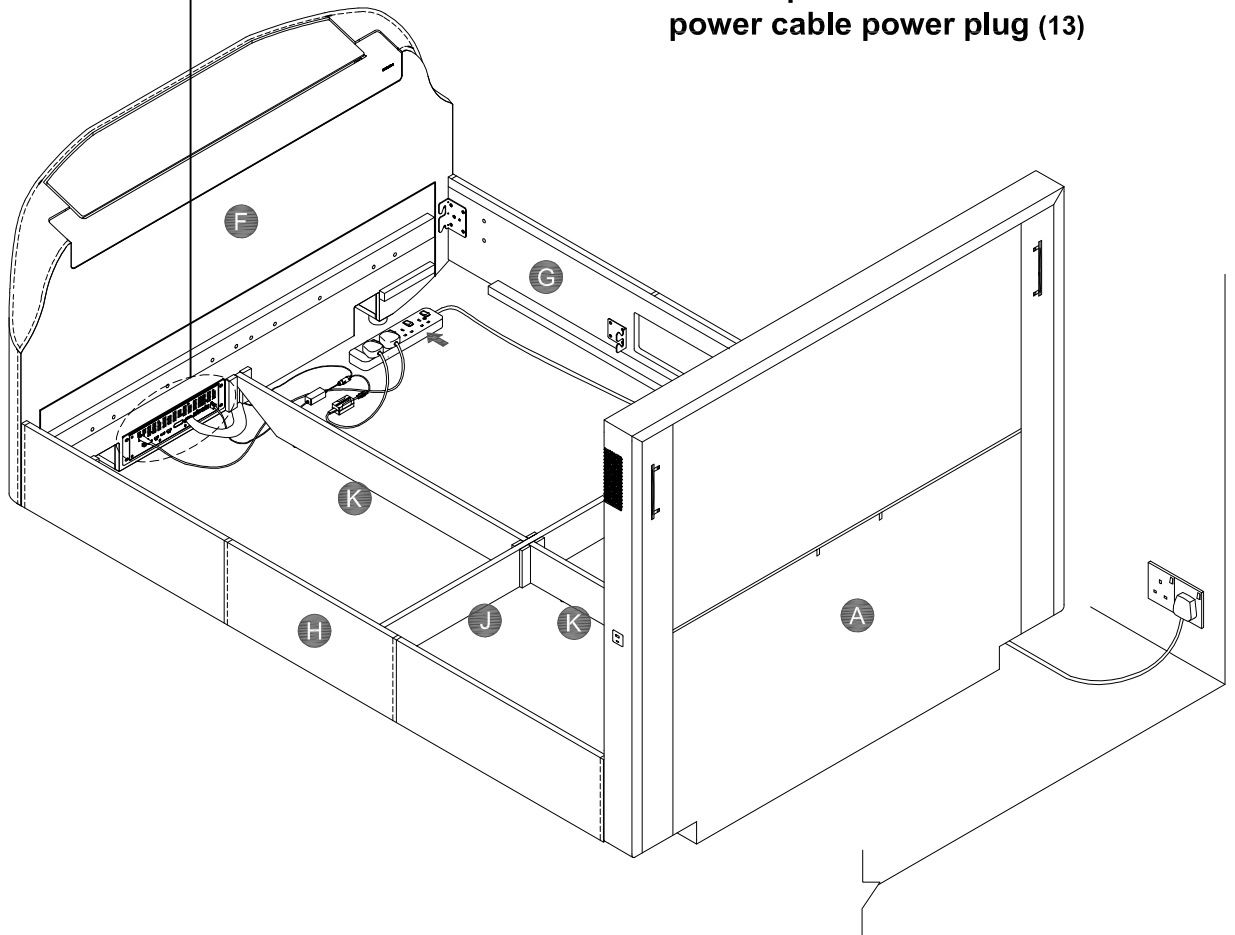


STEP 12

- Place the 4 way extension socket near to the footboard as shown.
- Connecting the AC power cord (X) to the Amplifier (VIII) and the extension power socket.
- Connecting the TV lift up mechanism AC/ power cable power plug (13) to AC adapter (12) and the extension power socket.
- Connect the extension power socket cable to a working mains power supply.
- Switch on the mains power supply.
- Keep the individual plugs off until required.

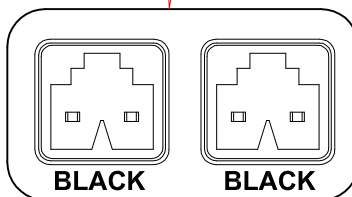
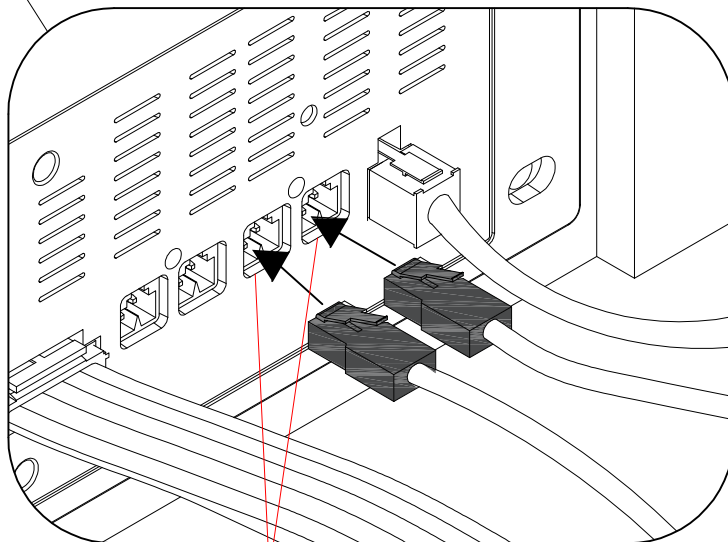
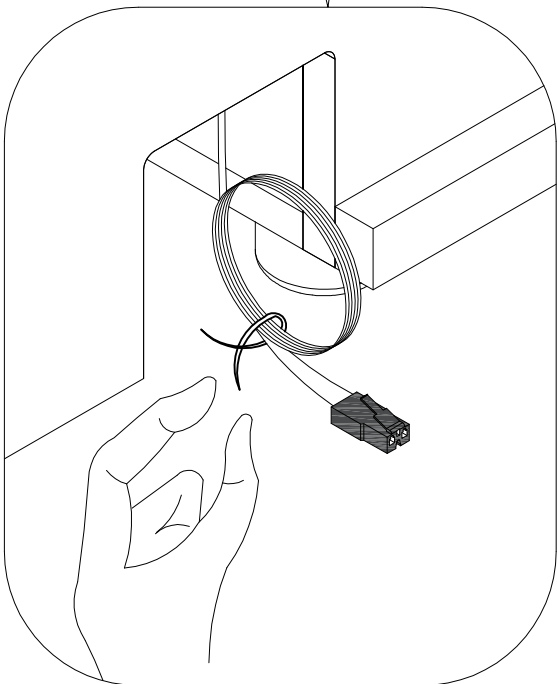
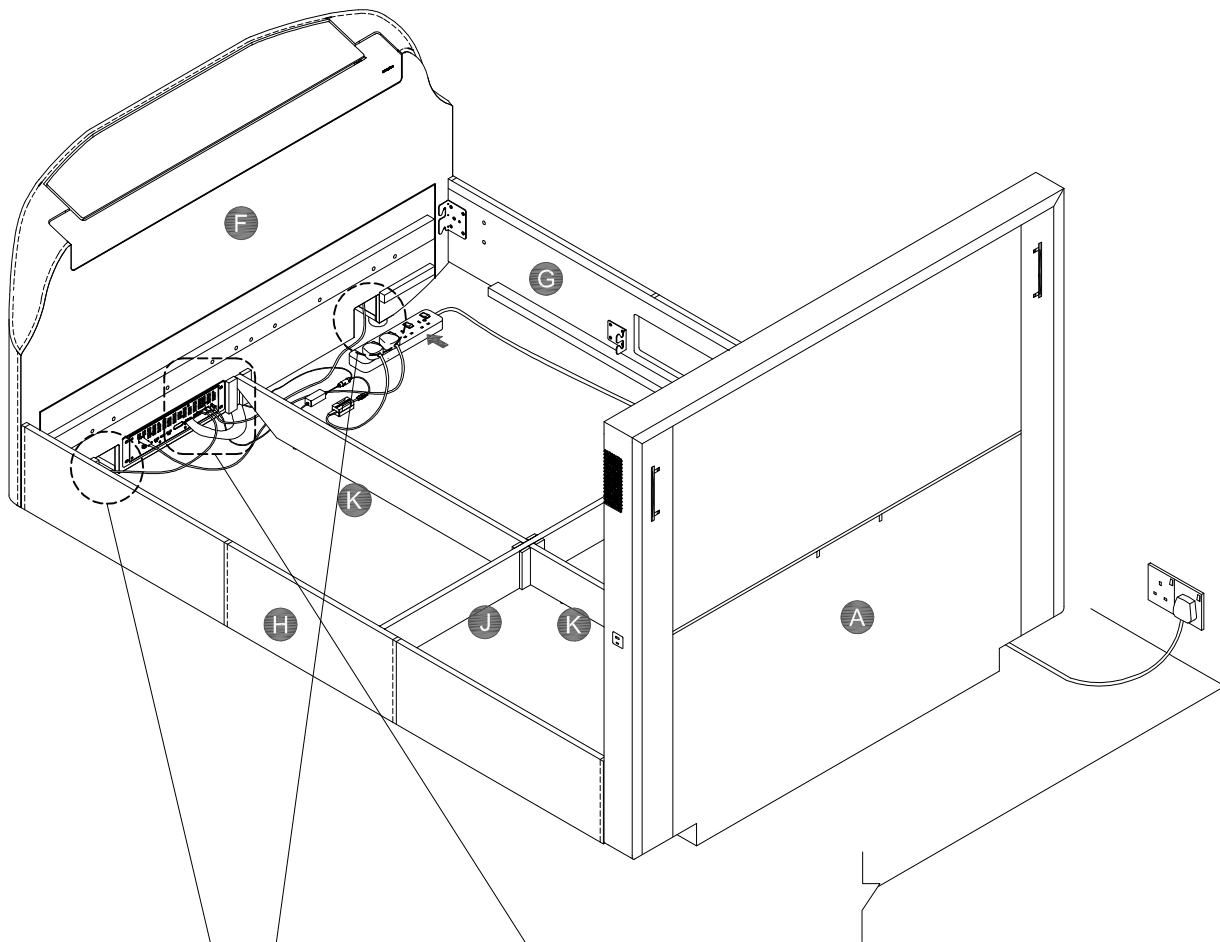


TV lift up mechanism AC/
power cable power plug (13)



STEP 13

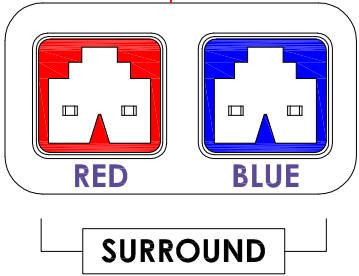
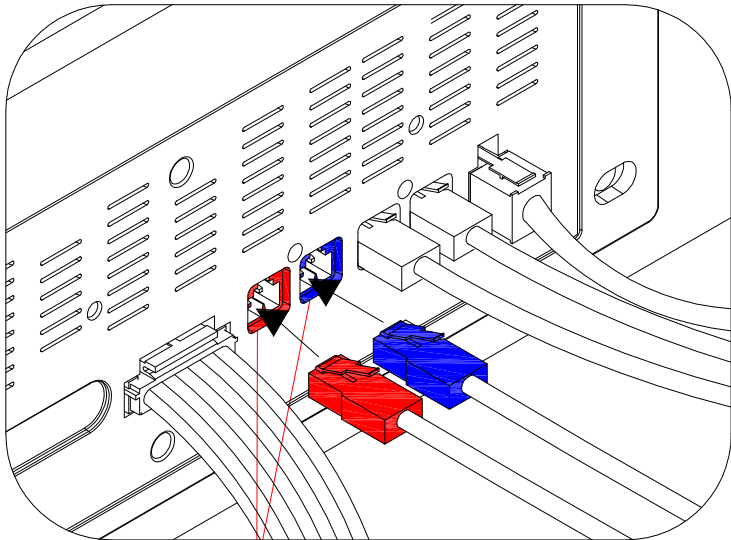
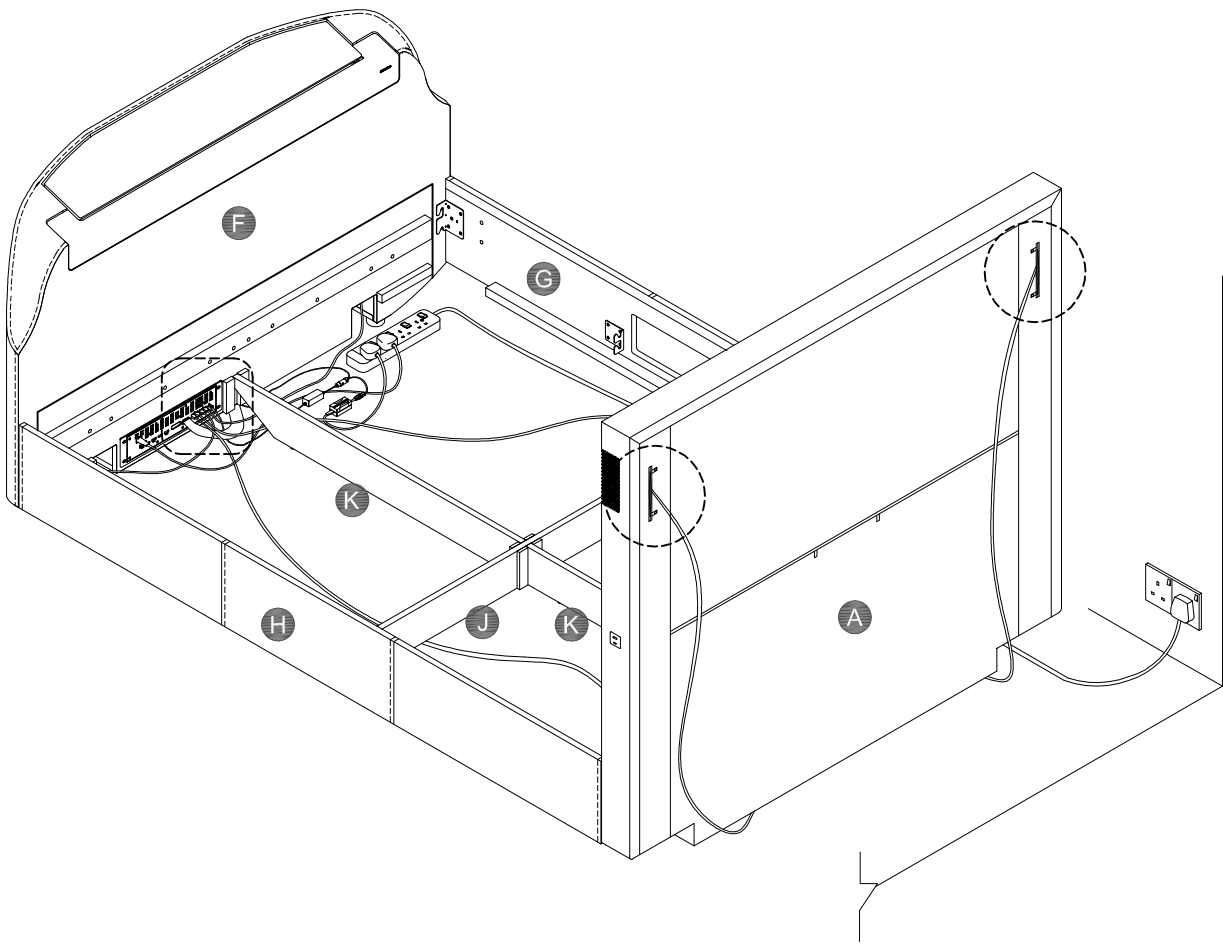
- Untie the subwoofer cable located in the foot end cable holes.
- Connect the subwoofer cable to the Amplifier (VIII) as shown.



SUBWOOFER

STEP 14

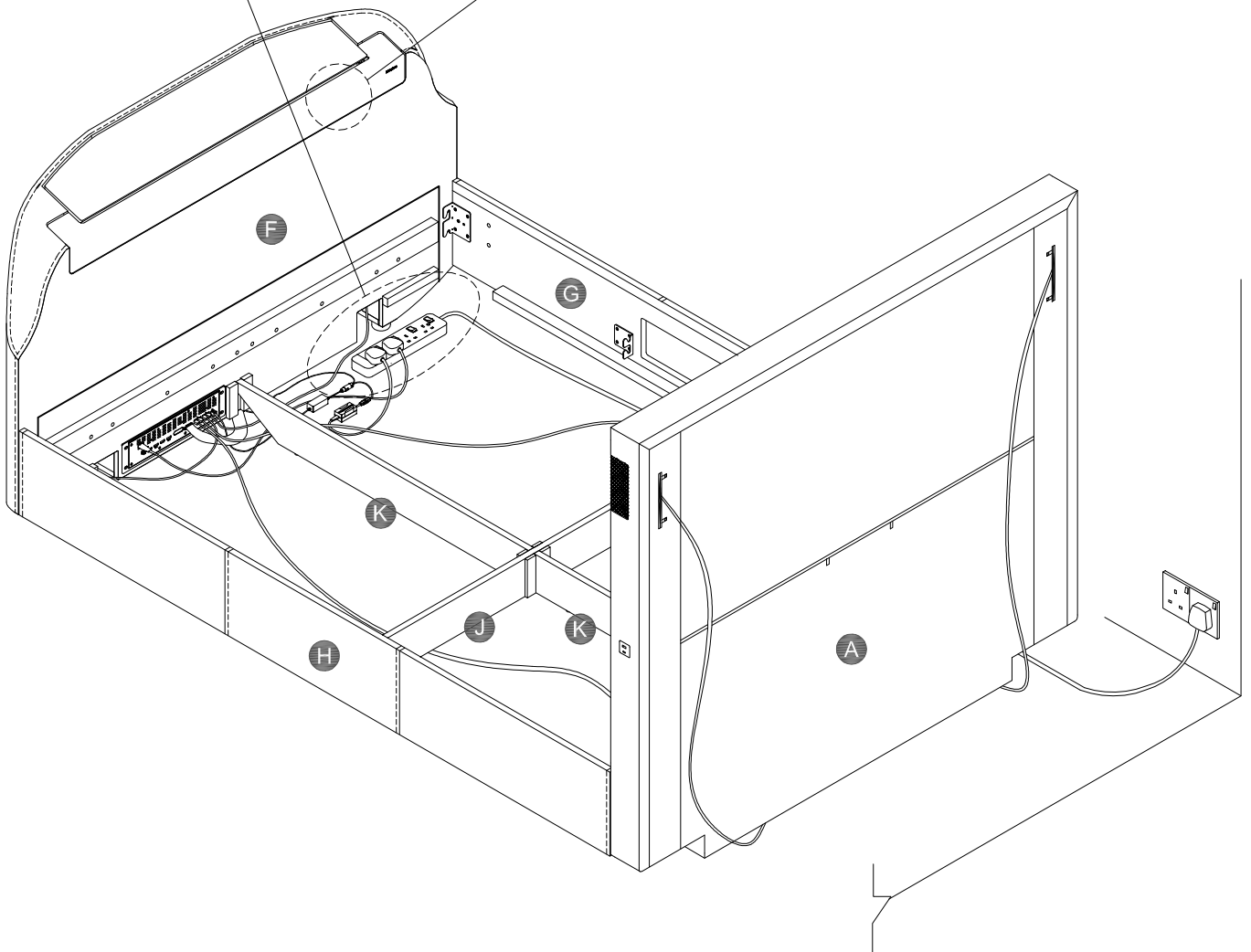
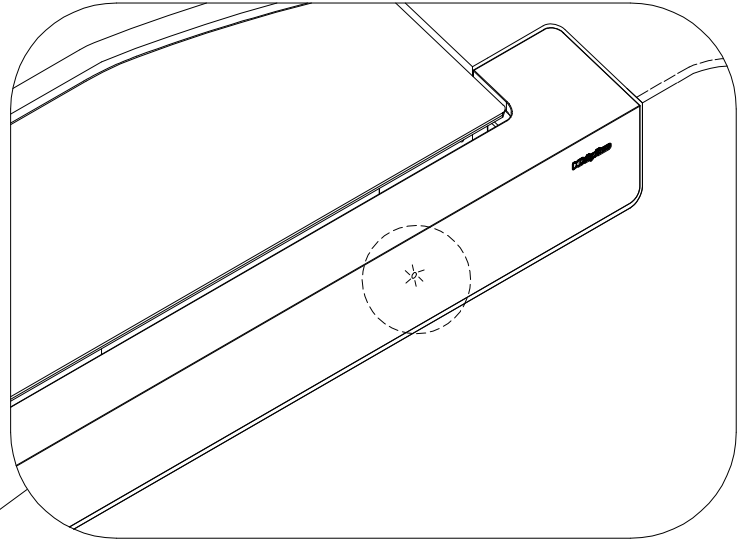
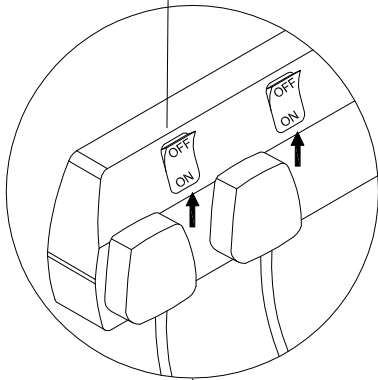
- Connect the surround speaker cable to the Amplifier (VIII) follow the color mark as shown.



STEP 15

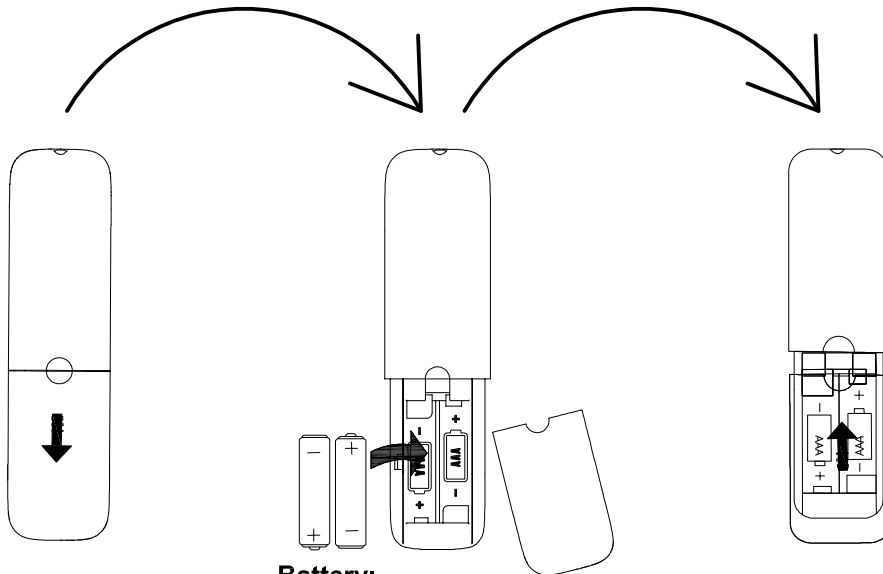
- Switch on the extension power socket, the indicator power on "dot light" will appear on the sound bar (as shown).

Extension power socket



STEP 16

- Unpack the remote control & battery from pack.
- Turn around the remote control, then press and slide the back cover to open the battery compartment of the remote control.
- Insert two AAA size batteries. Make sure the (+) and (-) terminals of the batteries match the (+) and (-) terminals indicated in the battery compartment.
- Slide up to close the battery compartment cover.



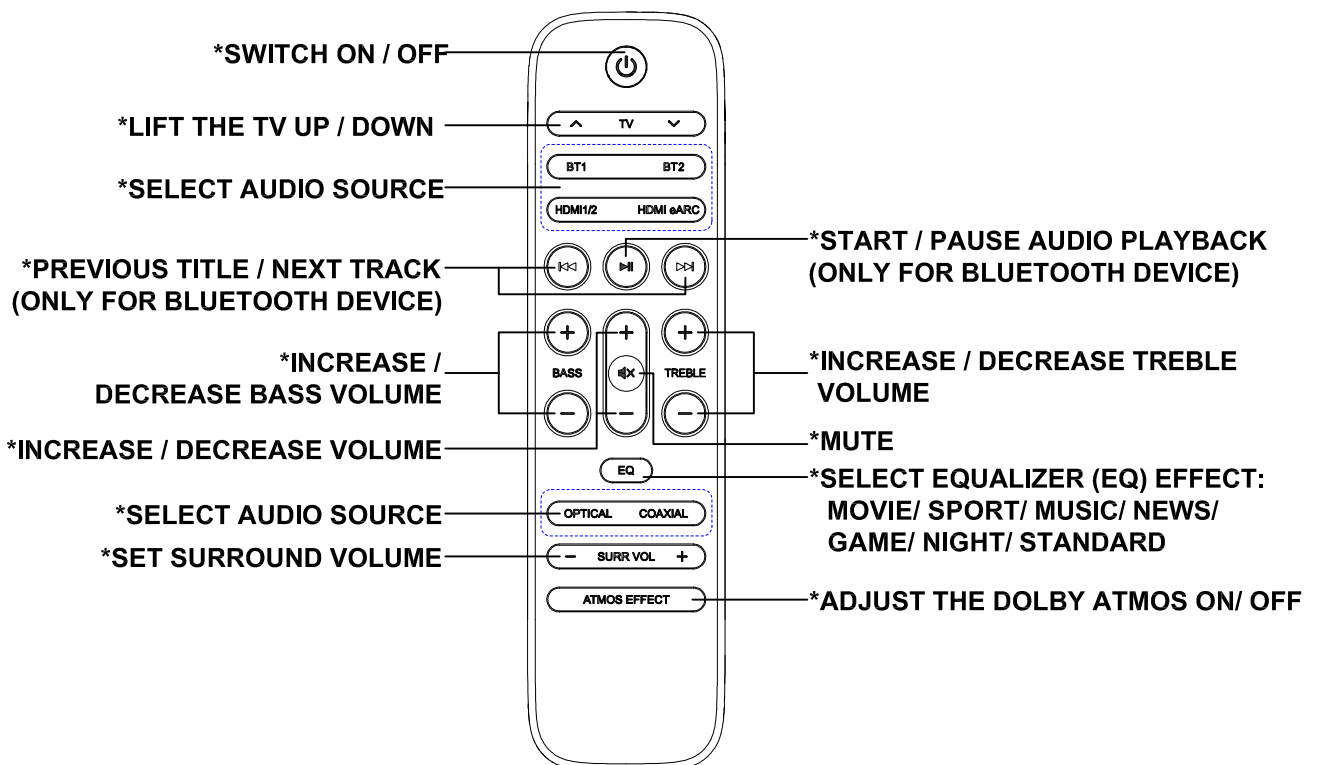
Battery:

Size: AAA - Ø10.5 X T44.5mm

Spec.: 1.5V

STEP 17

- Remote control.
- For more detail information "Remote Control" please refer to [5.1.2 CH DOLBY ATMOS user manual \(pages 6\)](#).



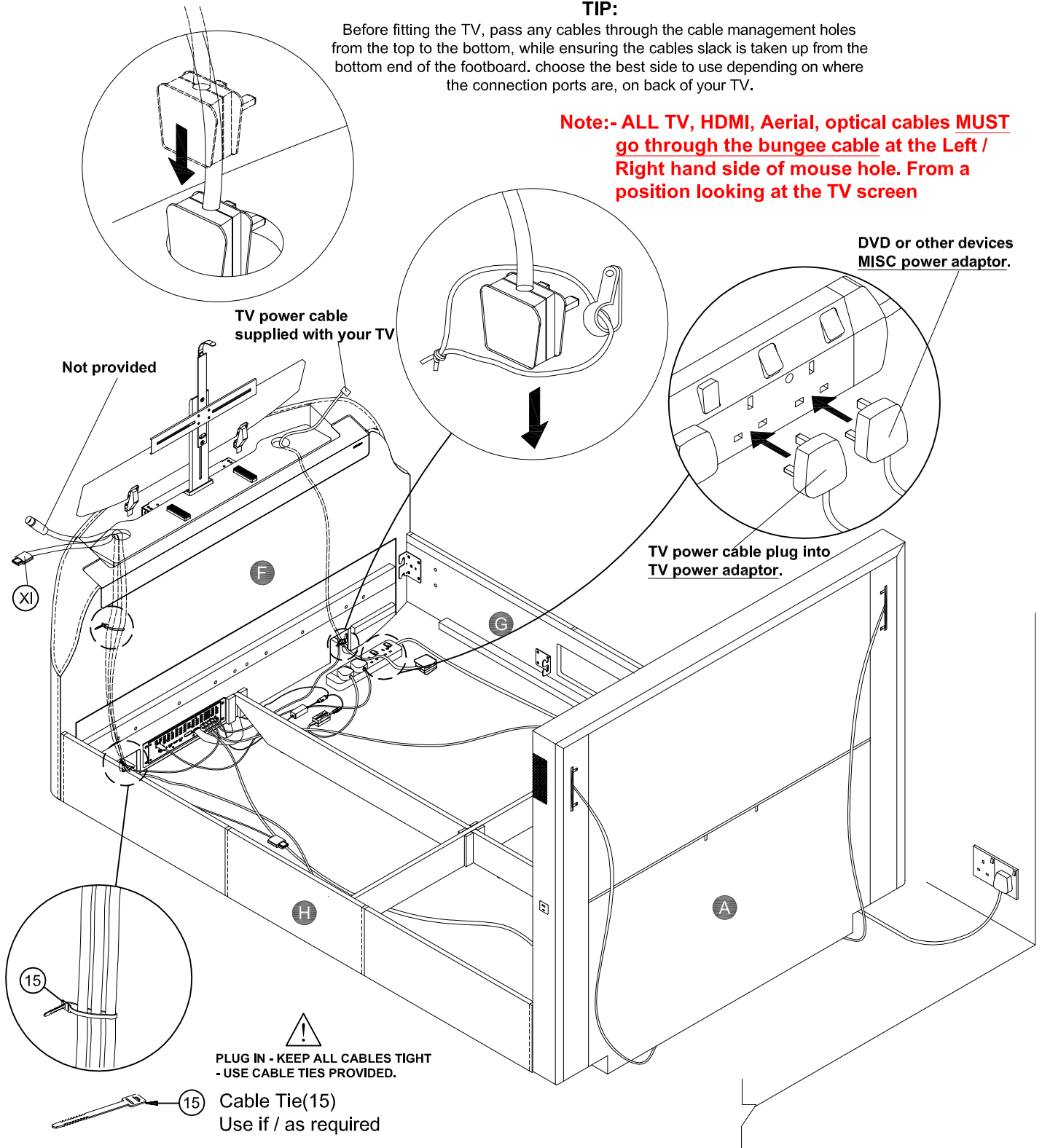
STEP 18

- **Cable connection plan.** Make sure you have all the relevant cable connections required (HDMI cable, TV Aerial cable, TV power cable, Optical cable etc...) before you install the TV.
- **The cable management holes are to help you to manage the cable and keep them tidy and free from snags.** Pass all cables cleanly through these holes. While ensuring any cable slack is taken up from the bottom end of the footboard.

TIP:

Before fitting the TV, pass any cables through the cable management holes from the top to the bottom, while ensuring the cables slack is taken up from the bottom end of the footboard. choose the best side to use depending on where the connection ports are, on back of your TV.

Note:- ALL TV, HDMI, Aerial, optical cables MUST go through the bungee cable at the Left / Right hand side of mouse hole. From a position looking at the TV screen



Place all cables through the 'Cable Management' holes to prevent any damage to the cable when the TV Lift Mechanism is operating. Make sure all your the cables are long enough to let the TV Lift Mechanism move freely.

All the cables MUST be carefully pulled and fully extended.

Group the cables together as required below the TV Tray using cable tie(15) provided.

STEP 19

- Adjust the TV tray to suit the height of your TV (without stand). Please follow below steps.

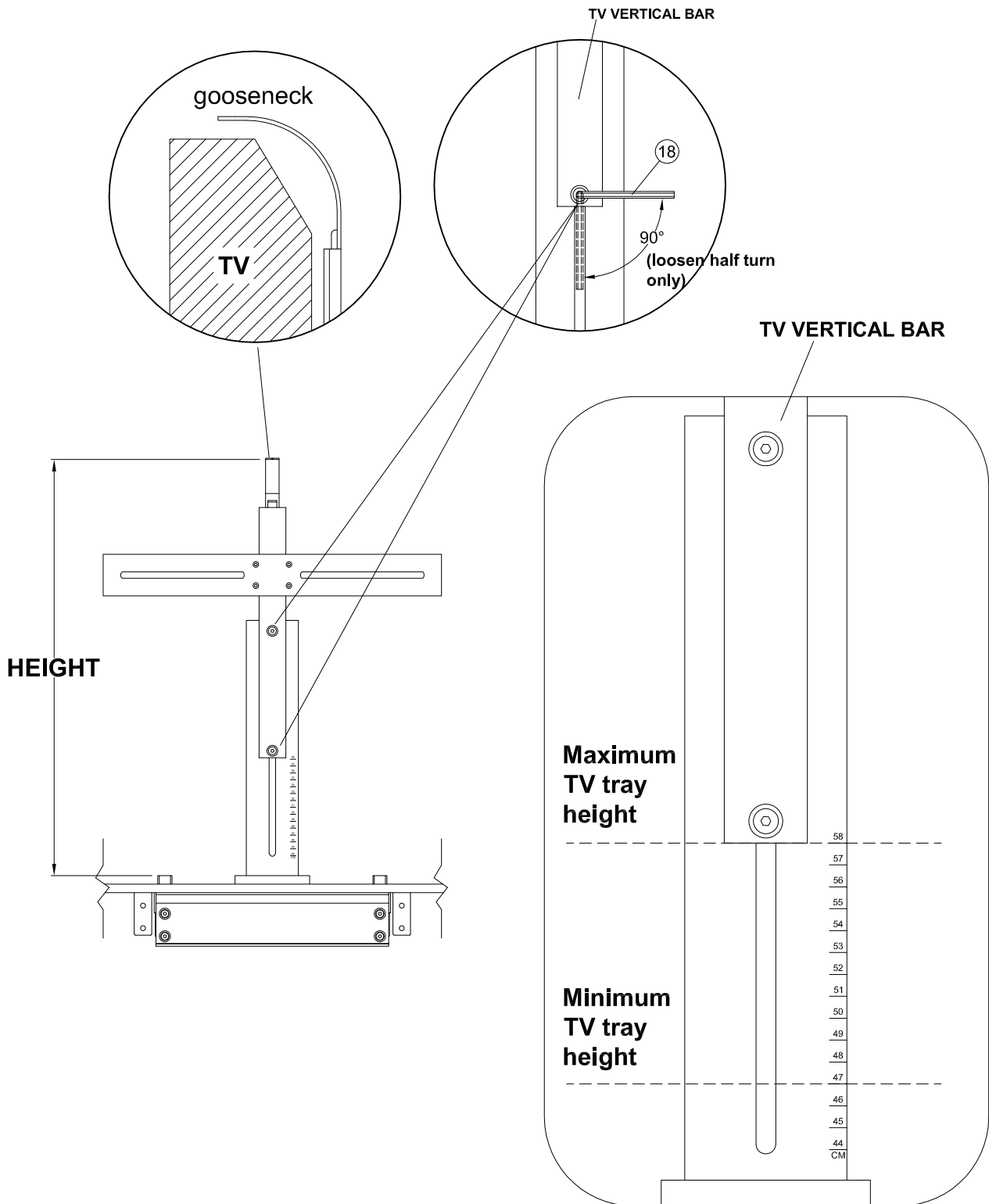
19.1 : Make a note of the height (without stand!) of your television.

19.2 : Use the Allen key (18) to 'slightly' loosen the bolts-'half turn only', do not fully unscrew.
(Please refer diagram below)

19.3 : Slide "UP/ Down the TV vertical bar to using the measure line to match the noted height of your TV.
Then fully tighten the bolts.

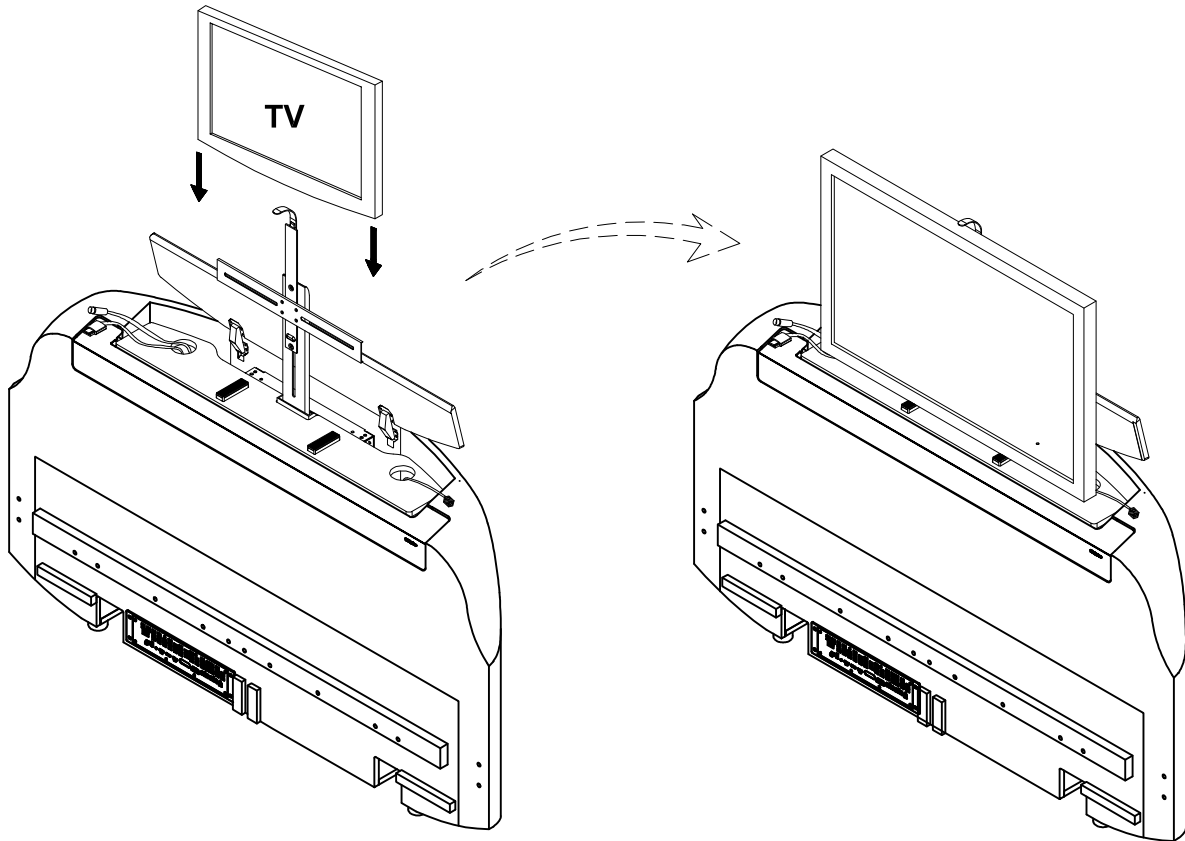
19.4 : When the TV is mounted it should sit neatly just underneath the Gooseneck.

Note: The minimum height of the TV Tray is 470mm. If the TV height measures less than 470 mm (without stand) the TV will not fit to the mechanism.



STEP 20

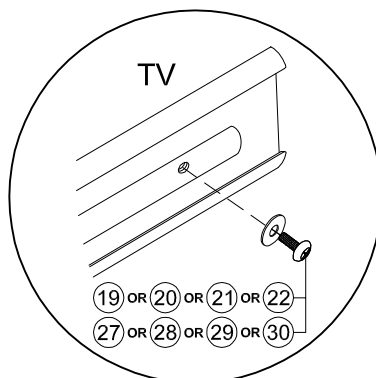
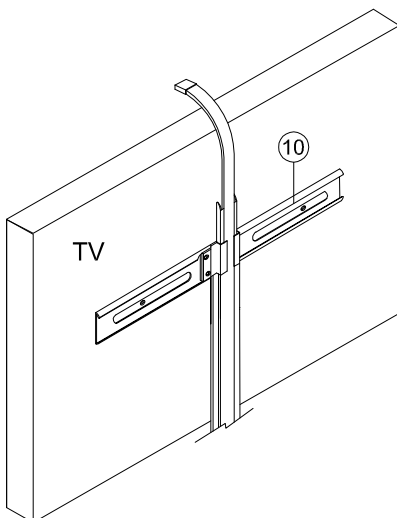
- You are now ready to install your TV.
- Raise the mechanism to it's highest position.
- While standing behind your television (on the outside end of the footboard).
- Carefully place the TV on top of the two rubber TV mounting pedestals - ensuring the Gooseneck arm is perfectly inline with the horizontal 'centre' of the TV.



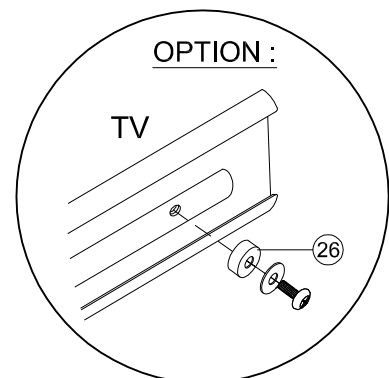
STEP 21

- TV Bracket

Please note : Item (19) or (20) or (21) or (22) or (27) or (28) or (29) or (30) screws have been supplied to fit most TV models. However sizes may vary depending on the TV model. If smaller or larger size screws are required these should be source from your local hardware store or TV specialist. Washers may also be required. Your retailer may also supply alternative fixings depending on the TV model supplied at the time.



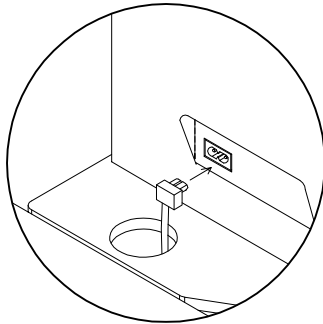
BOLT	(19)	(20)	(21)	(22)
BOLT	(27)	(28)	(29)	(30)
WITH	↓	↓	↓	↓
WASHER	(23)	(23)	(24)	(25)



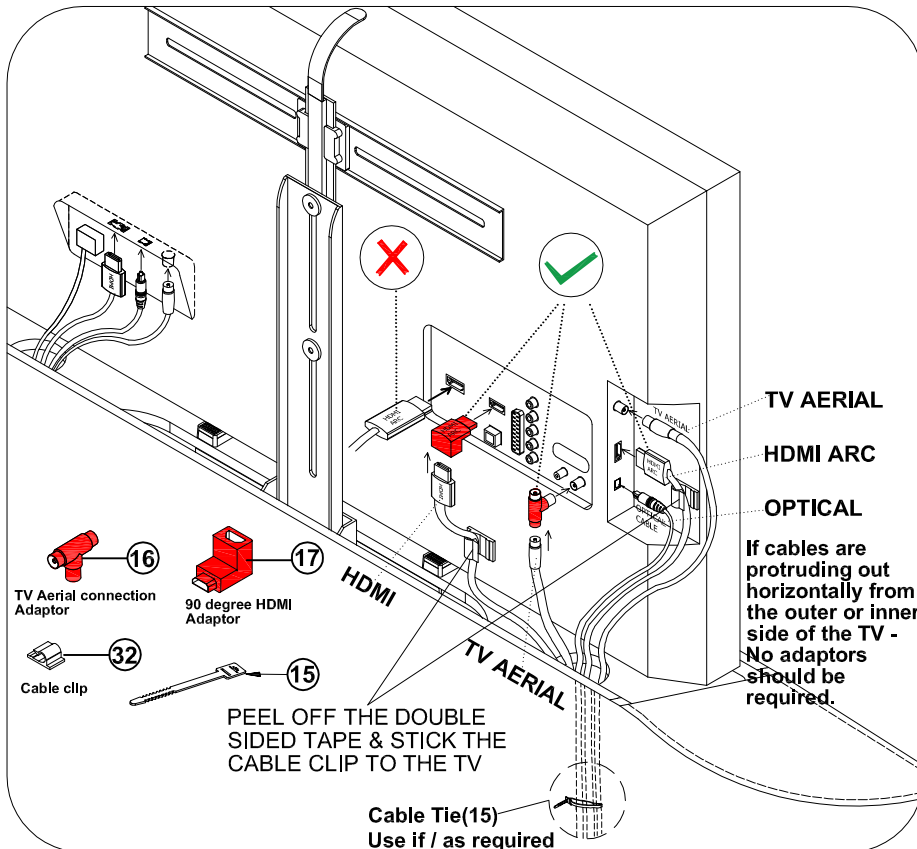
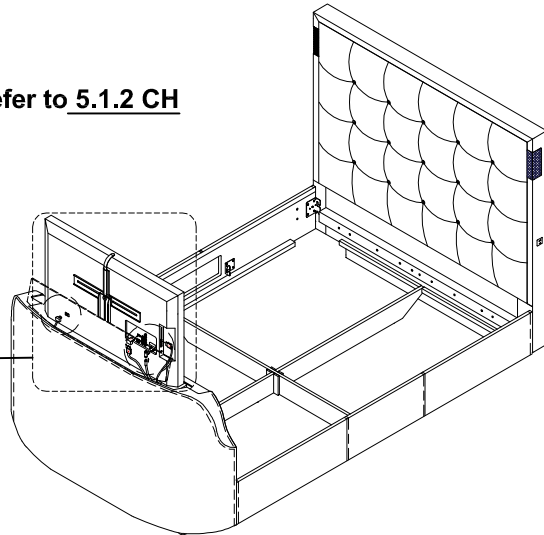
In the event you find the screws are too long for the TV with bracket please use Plastic collar (26) if required.

STEP 22

- Install all the cable connection to the TV.
- For more detail information "Connection" please refer to 5.1.2 CH DOLBY ATMOS user manual (pages 8~9).

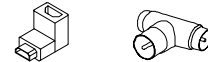


Note: For illustration purposes only, TV connections may vary.



Attention Please Note : Connecting Your HDMI ARC or Aerial Cable as shown in diagram (X) can seriously Damage Your TV sockets.

To reduce this possibility we have supplied 90 degree adaptors for both HDMI and Aerial connections.



This will reduce the cable protrusion and lessen the possibility of the cable colliding with the bed frame.

These can be found in the bed frame hardware pack located in Box 2 (foot end). Please refer to the diagram above for the correct fitting of cables. More detailed information can also be found on page 20 (step 18) of your assembly instructions.

The manufacturer or retailer will not accept responsibility for any damages arising from incorrect installation.

NOTE

The audio user manual is available and has been included inside the accessories box. This is importance of providing clear instructions and the audio user manual has been designed to assist users in understanding the features and functionalities of our product. It contains detailed information on how to set up, operate, and troubleshoot any potential issues that may arise.

We highly recommend that you familiarize yourself with the contents of the audio user manual before using the product. It will ensure a seamless and enjoyable experience, while also addressing any queries or concerns that you may have.

CAUTION

If you are using a USB storage device in the TV USB port. It may cause unexplained issues with the TV bed media system . Please unplug the USB storage device when not in use.

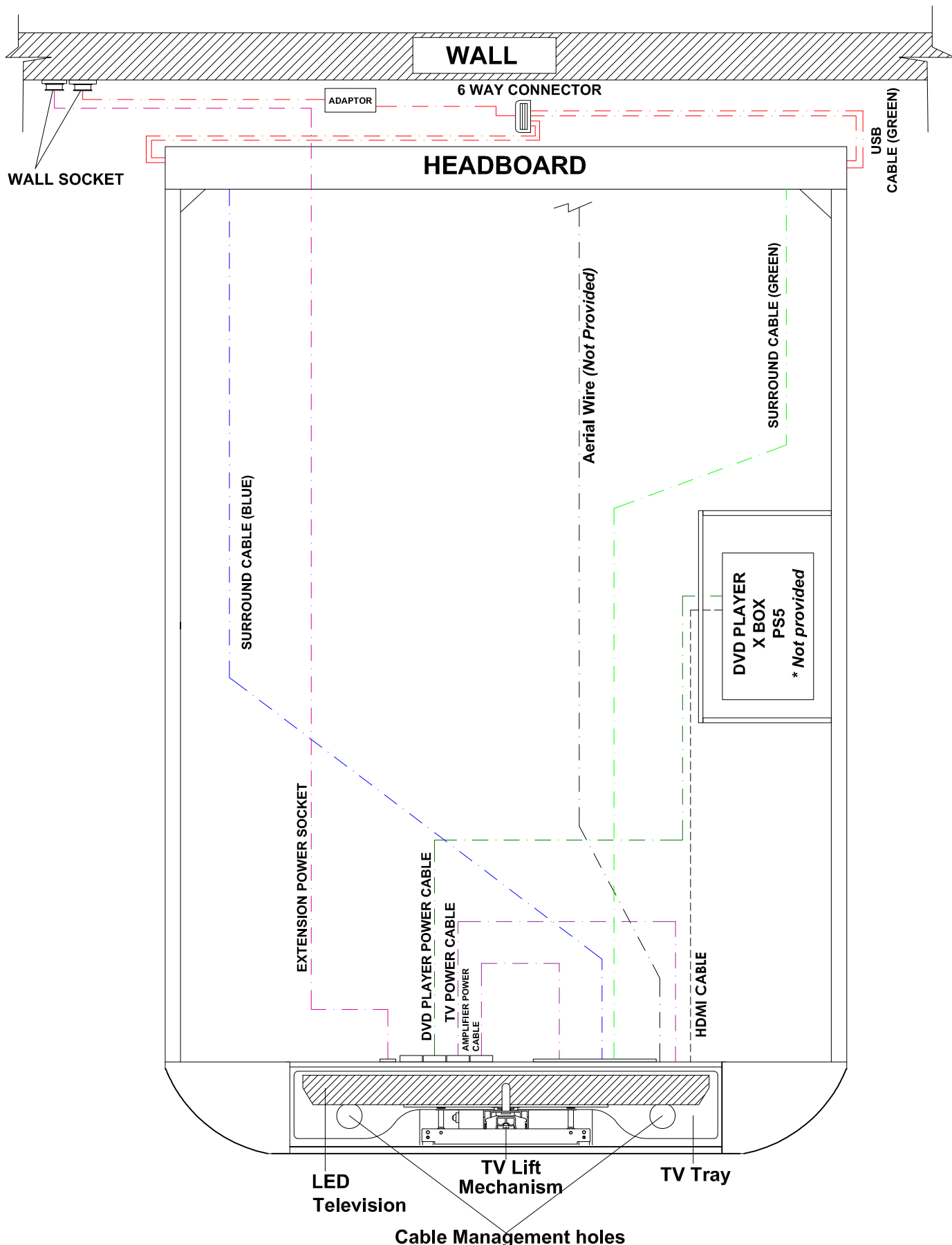
PLEASE NOTE.

If you are using TV's which are not listed as compatible in your user instructions, Unusual scenario's may arise with the CEC connection system on your tv.

NOTE: The cables port for television, DVD, TV aerial etc may not be the same as shown above and vary depending on TV model.

STEP 23

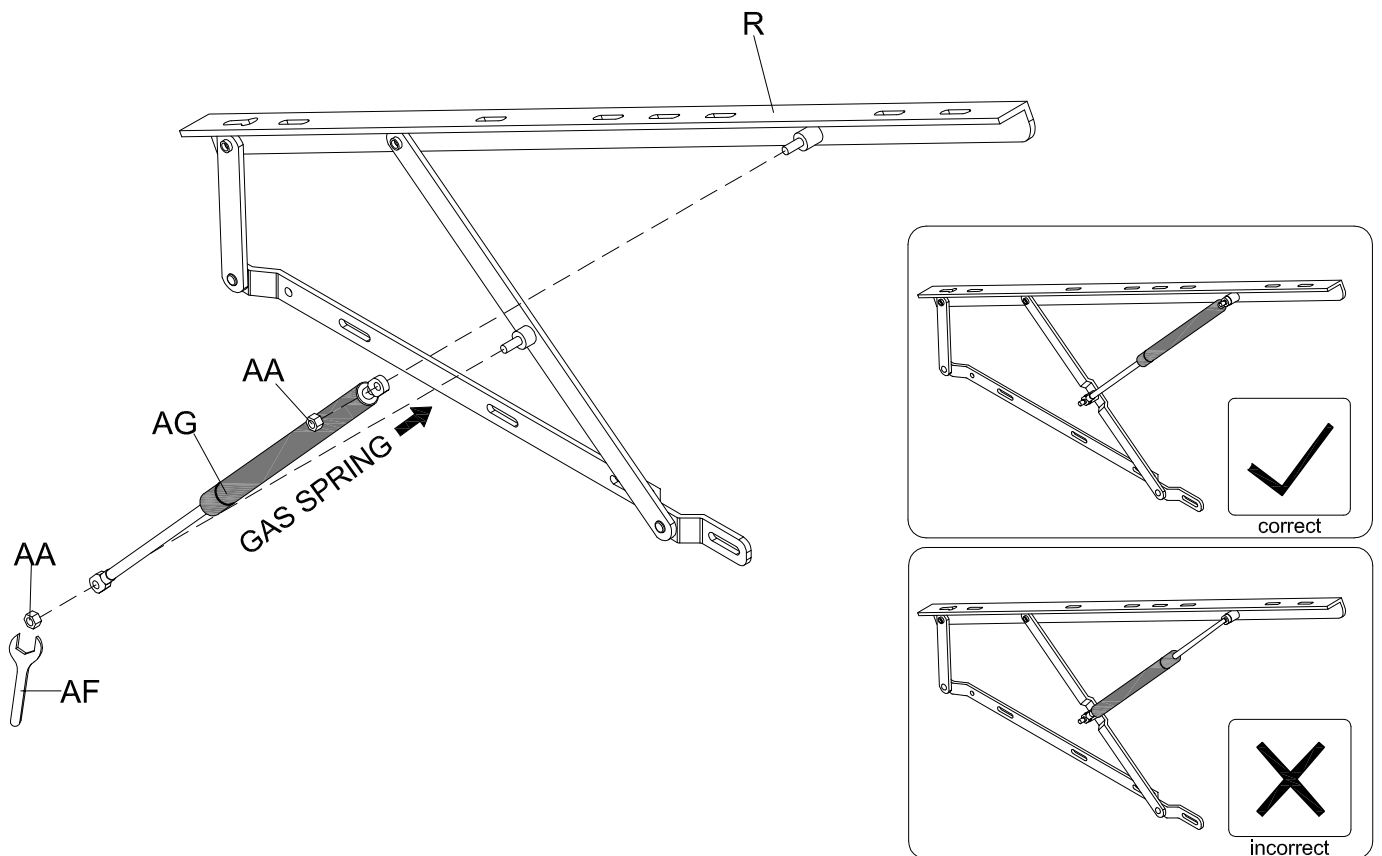
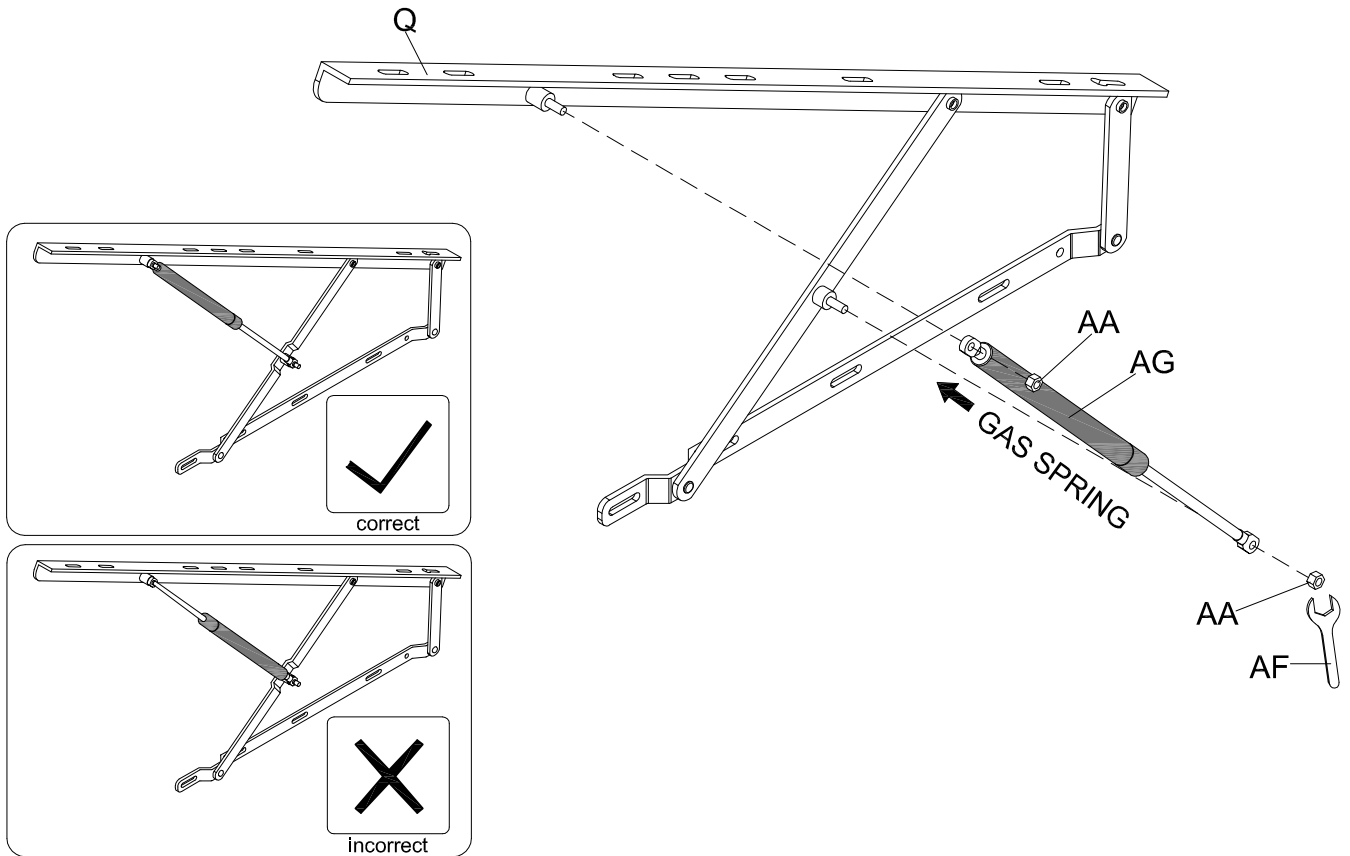
• Detail Wiring Connection Plan.



* The TV cable main supply can be put on either the left or right side depending on the TV port location. DO NOT PASS ANY CABLES ACROSS THE BACK OF THE MECHANISM.

STEP 24

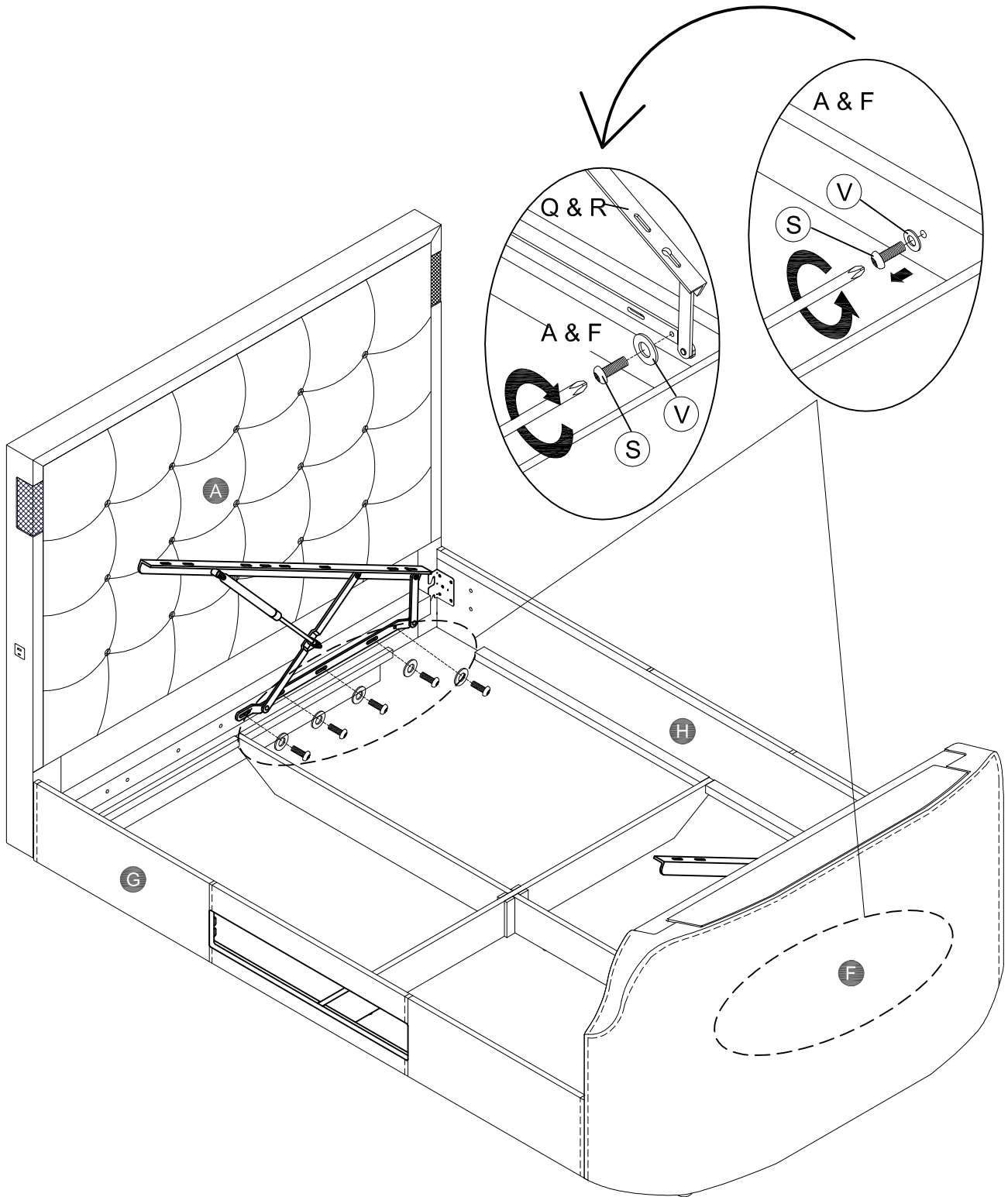
- Attach the gas springs 'AG' to the lift up mechanism with nut 'AA' using spanner 'AF' as shown.



Fully tighten all nuts after attaching the pistons.

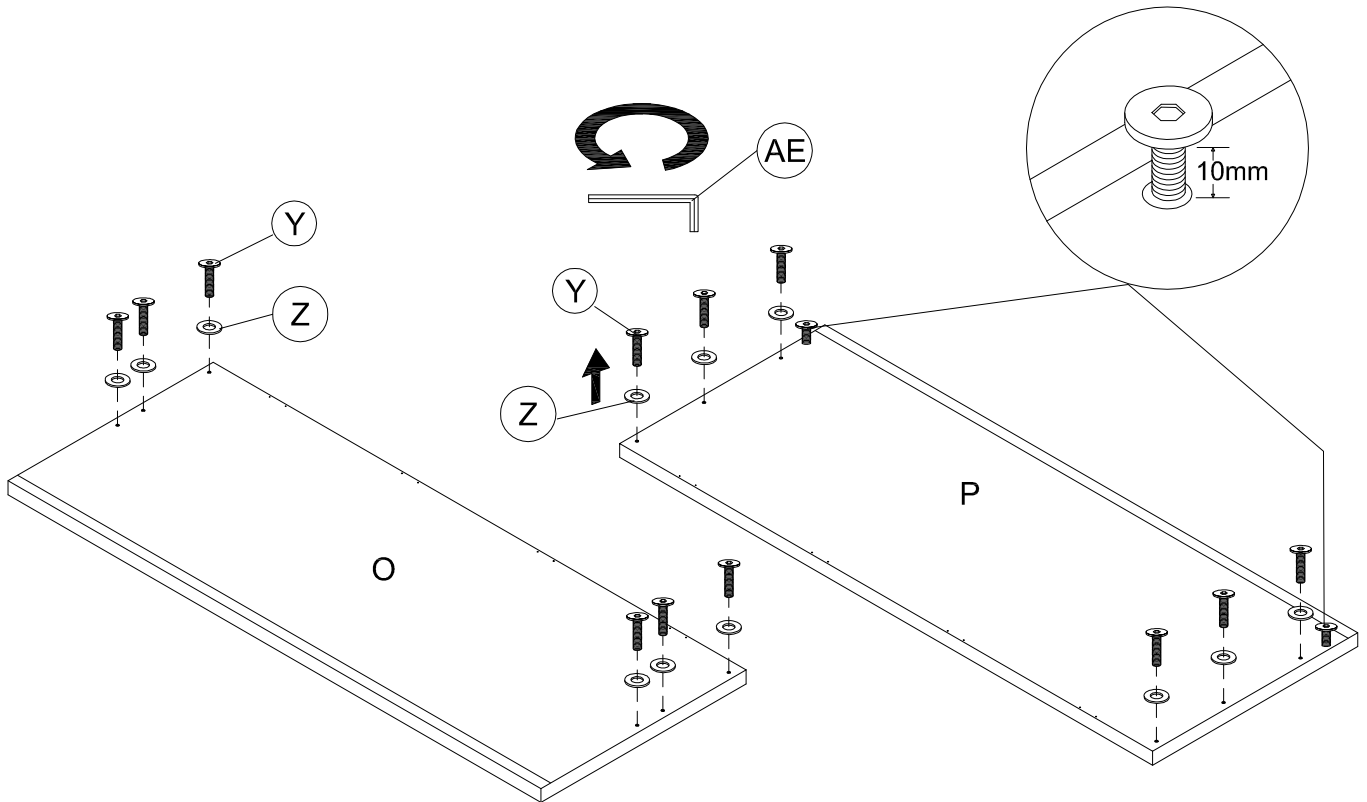
STEP 25

- Before assembly please make sure the opening side is facing the "Media Compartment" Part 'G' side rail.
- Remove the bolts and flat washers located in the head end and foot end.
- Attach the lift up mechanism to the head end and foot end with flat washers and bolts using screw driver provided.
- Repeat the action on the another side.



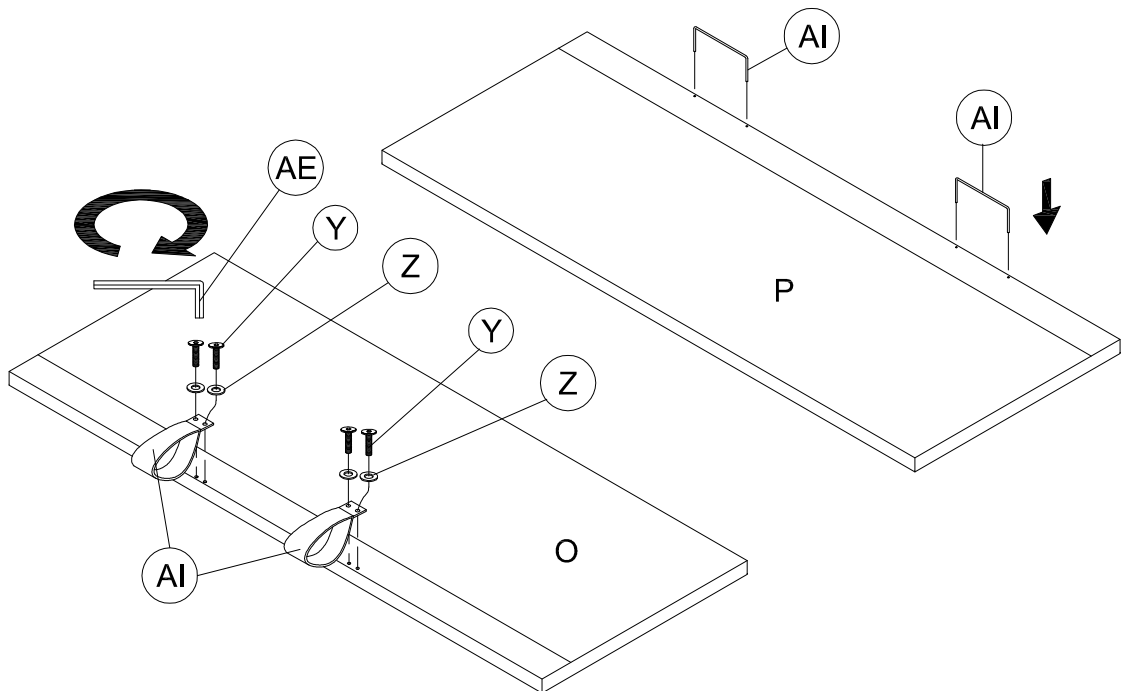
STEP 26

- Take out the all the screw and washer from lift base (O) as shown.
- For lift base (P), the last screw should be extend out 10mm as shown. The rest of screws & washers need to take out.



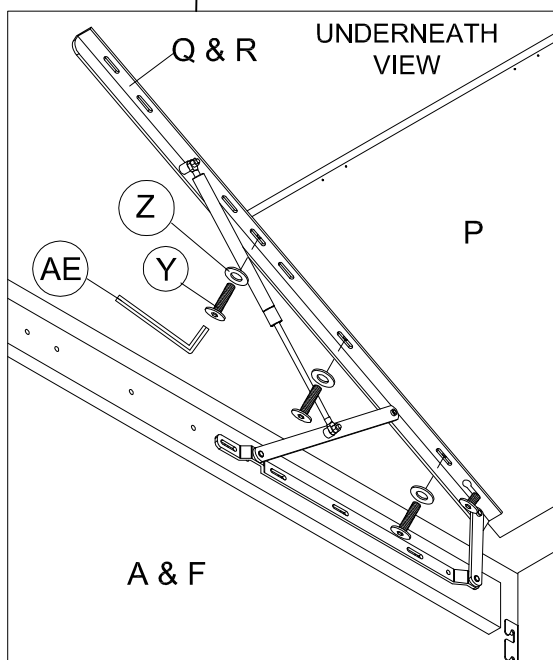
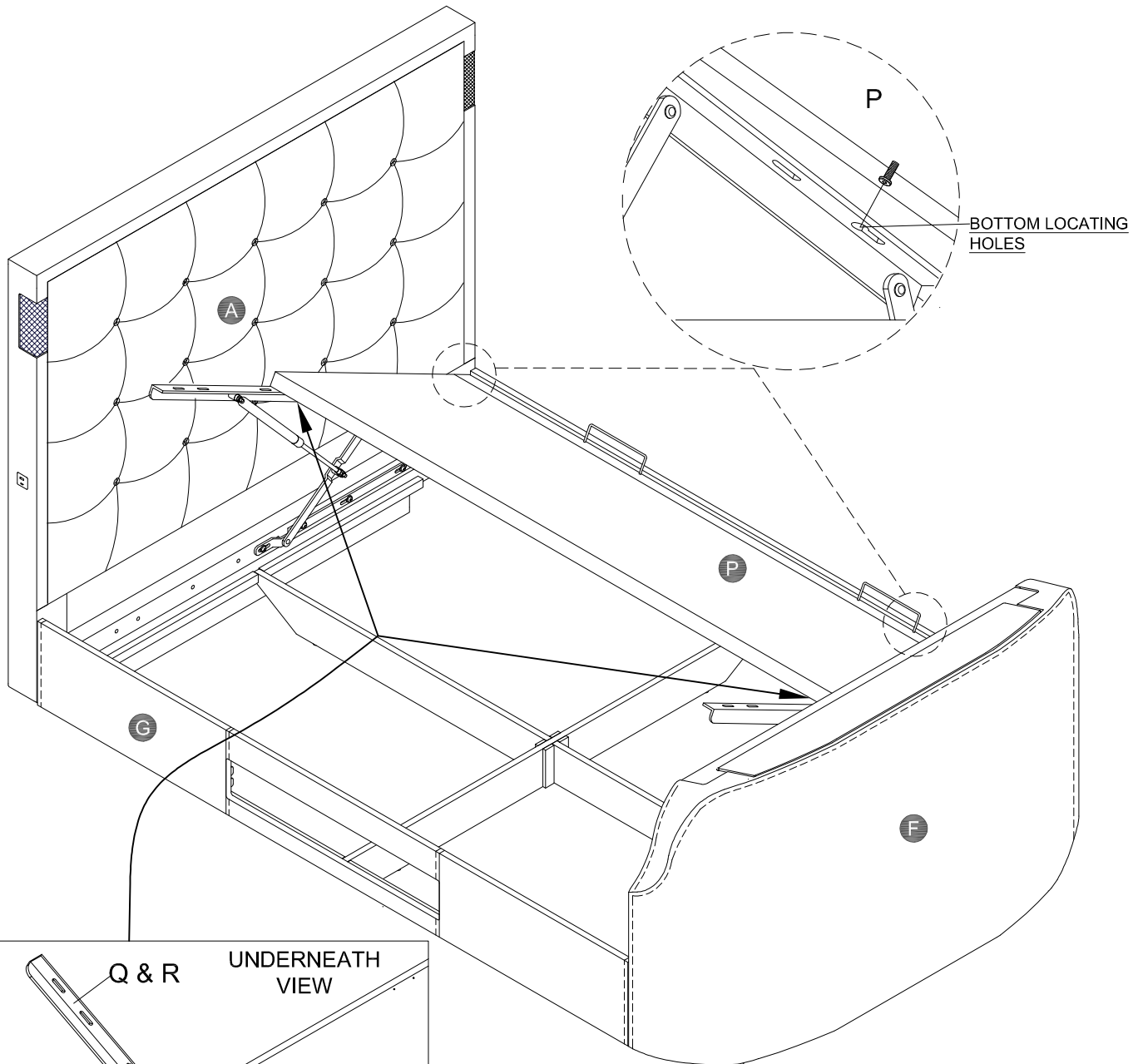
STEP 27

- Attach the handle to lift base (O) with screw (Y) and washer (Z).
- Attach the mattress stopper (AI) to list base (P) .



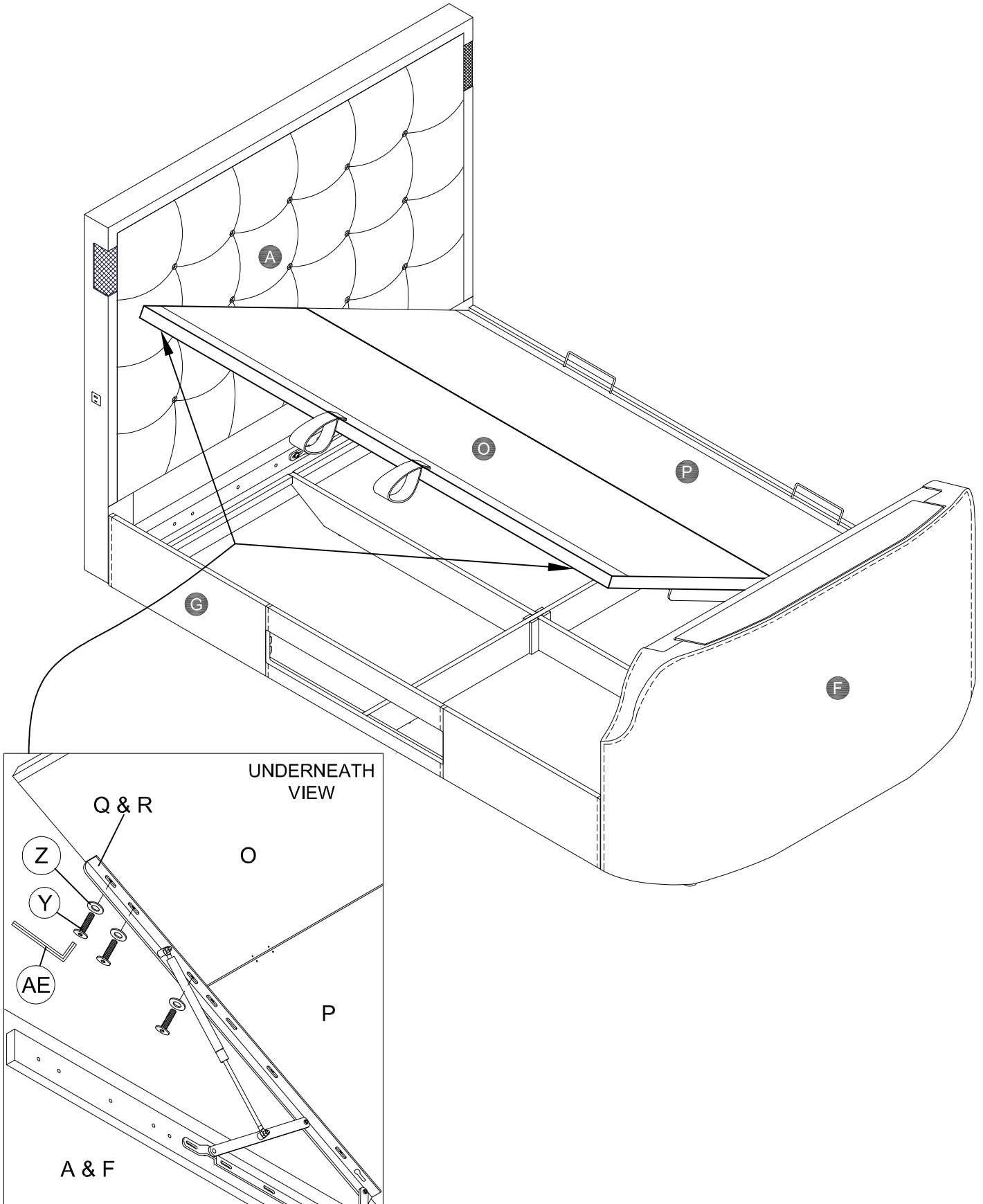
STEP 28

- First put the back lift base 'P' on top of lift up mechanism 'Q' and 'R' with the provided Screws (Y) pre-installed as per step 26 to the first hole for safety and to prevent the lift base from dropping down.
- Use the removed bolts and flat washers on step 26 to fix the back lift base 'P' with lift up mechanism 'Q' and 'R' as shown.
- Use Allen key 'AE' fully tighten all the bolts as shown.



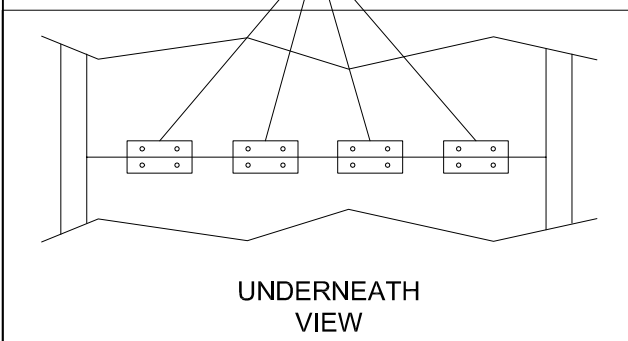
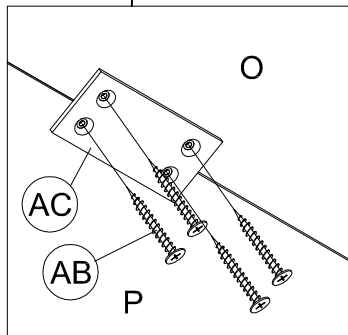
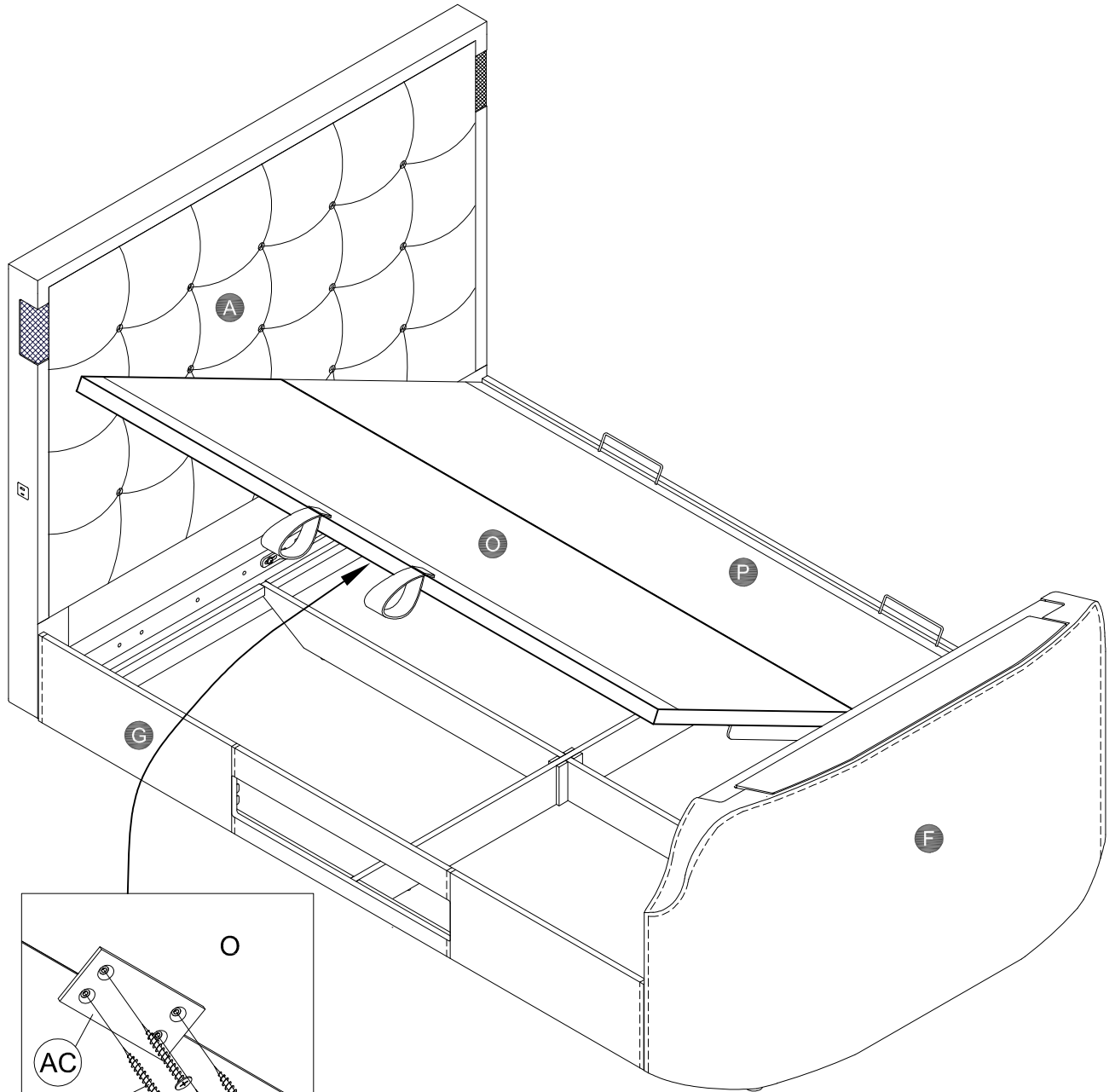
STEP 29

- Put the front lift base 'O' on the top of lift up mechanism 'Q' and 'R' then use the bolts and flat washers has removed on step 26 to fix the front lift base 'O' with lift up mechanism 'Q' and 'R' as shown.
- Use Allen key 'AE' fully tighten all the bolts as shown.



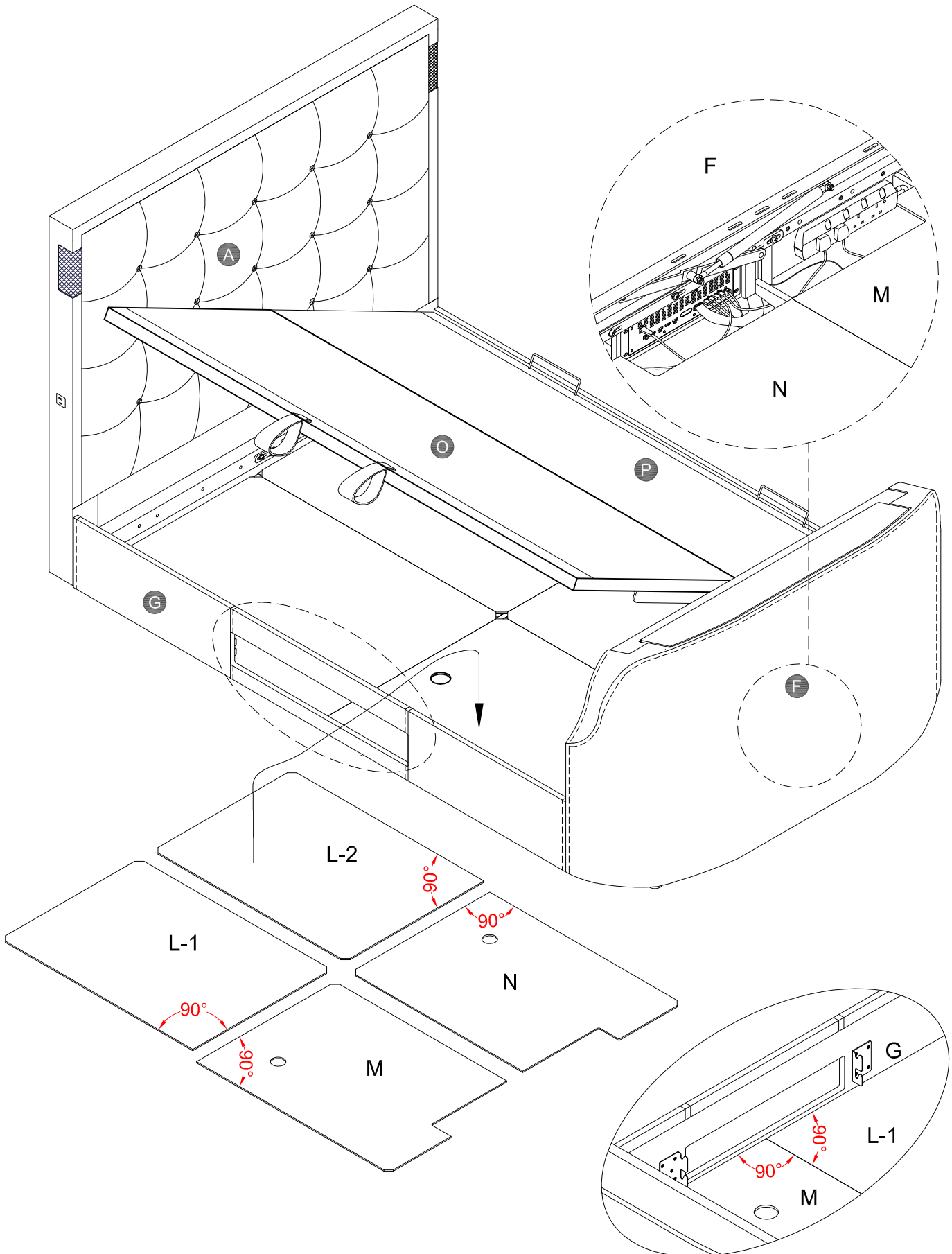
STEP 30

- Attach the metal plate 'AC' to the underneath of lift base 'P' and 'O', fix with screw 'AB' using screw driver 'AD' provided as shown.



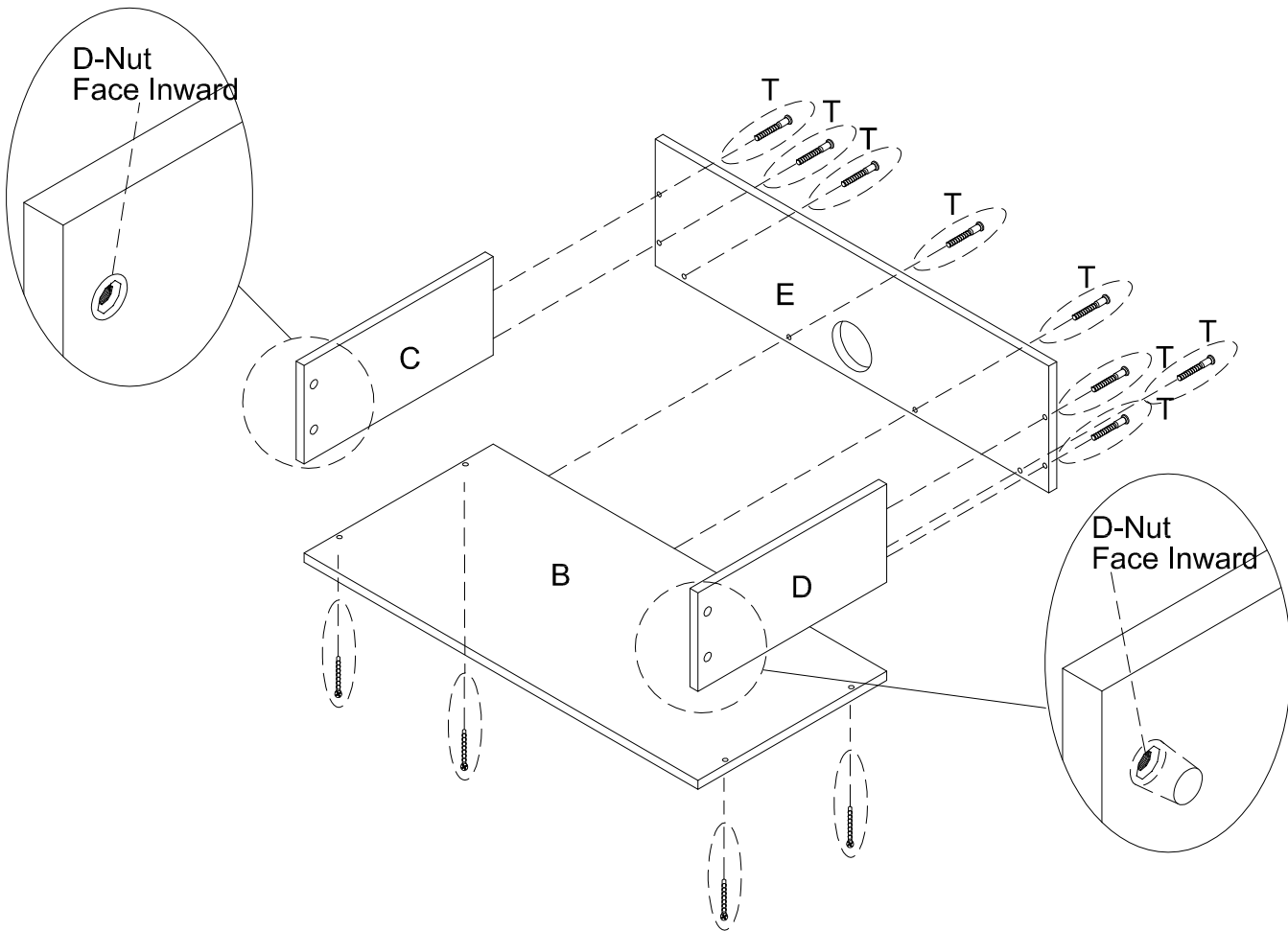
STEP 31

- Put the base panel on the bottom cross bar as shown.
- Make sure to place the base panel 'M' & 'N' at the foot end follow the diagram.
- Make sure the base panel with 90 degree angle was placed next to the side rail 'G'.
- Make sure all the power cable place under the base panel through the base panel corner space.



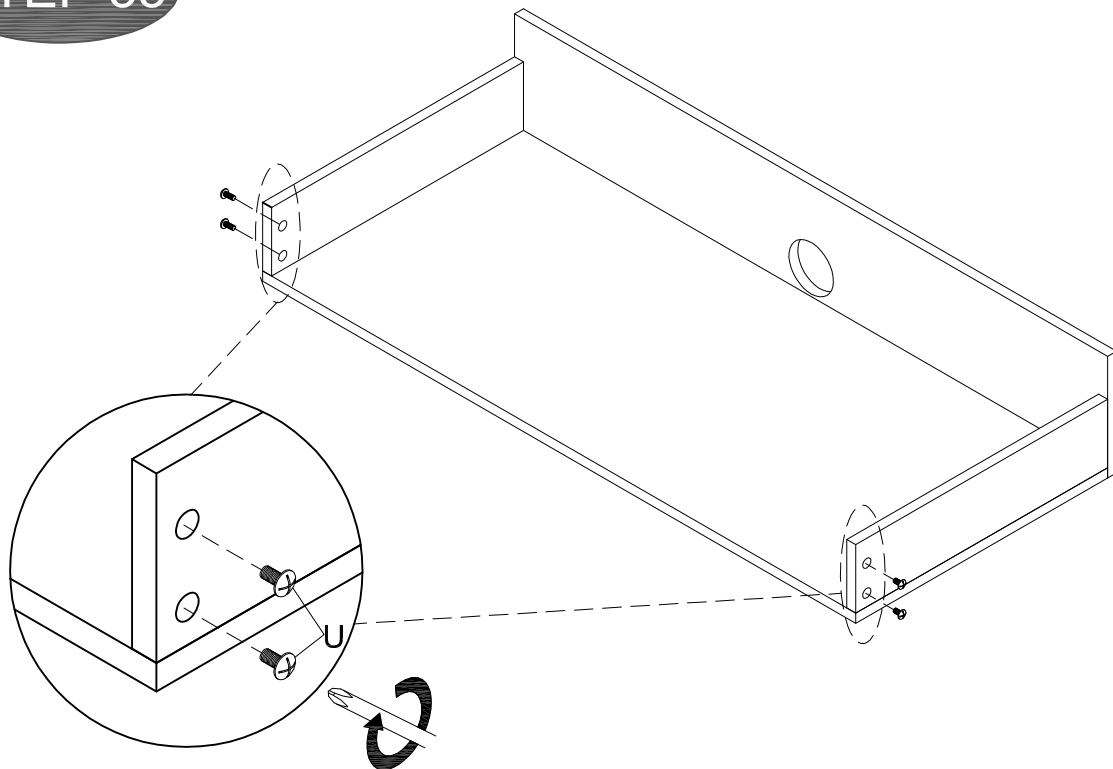
STEP 32

- Attach "Media Compartment" side and back panels to "Media Compartment" top panel as shown.



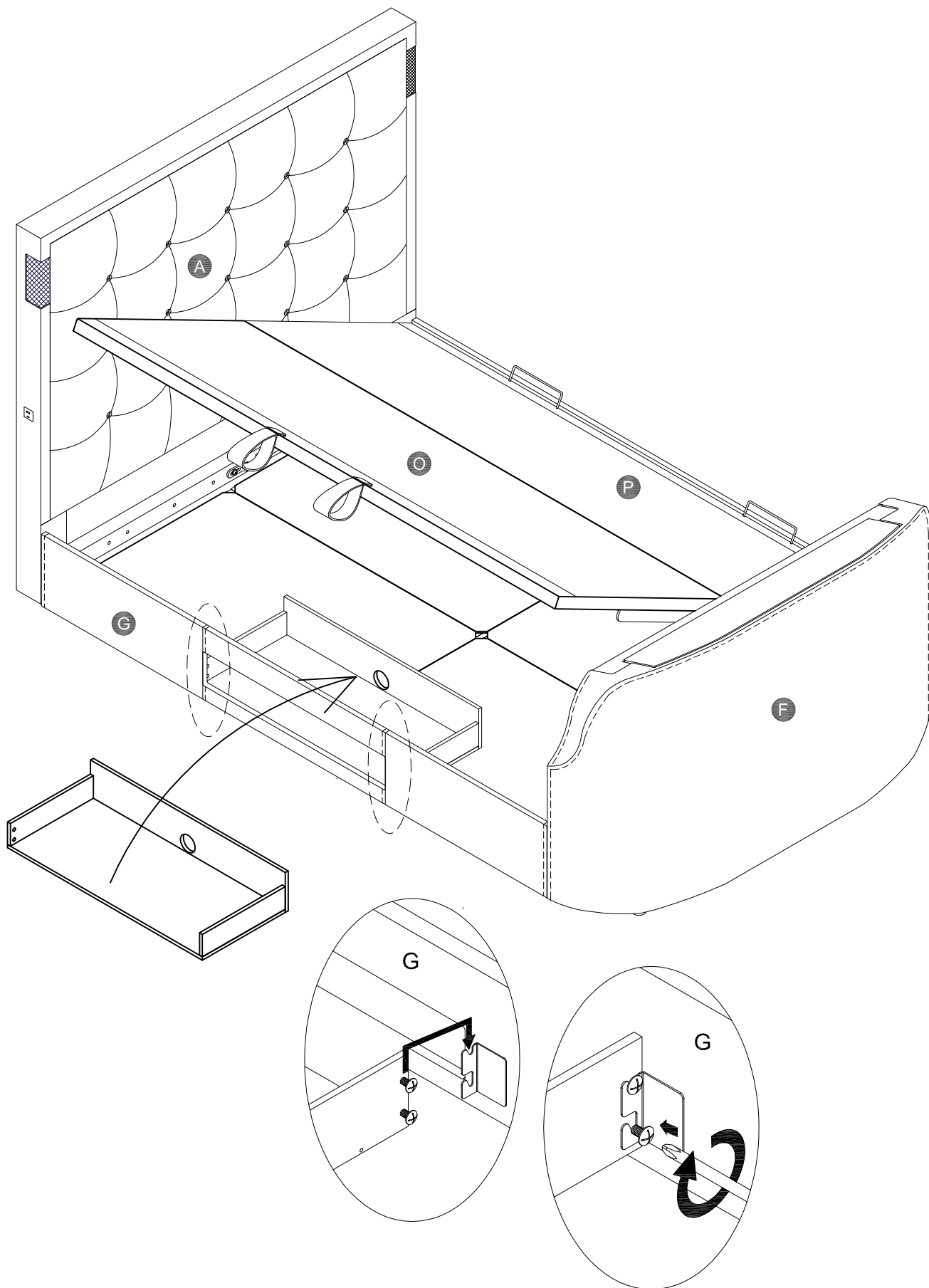
STEP 33

- Attach the bolts (U) to the outside of "Media Compartment" side panels as shown.



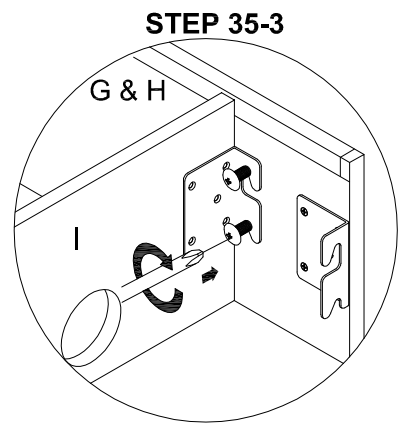
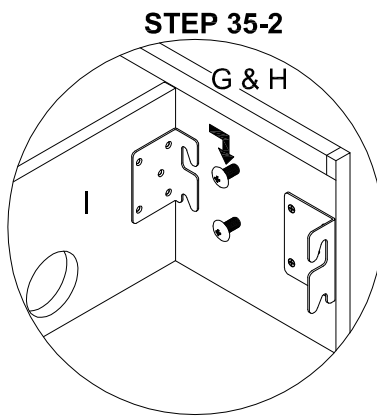
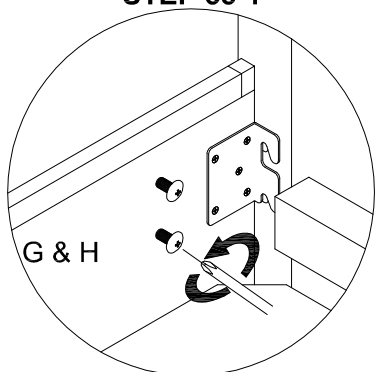
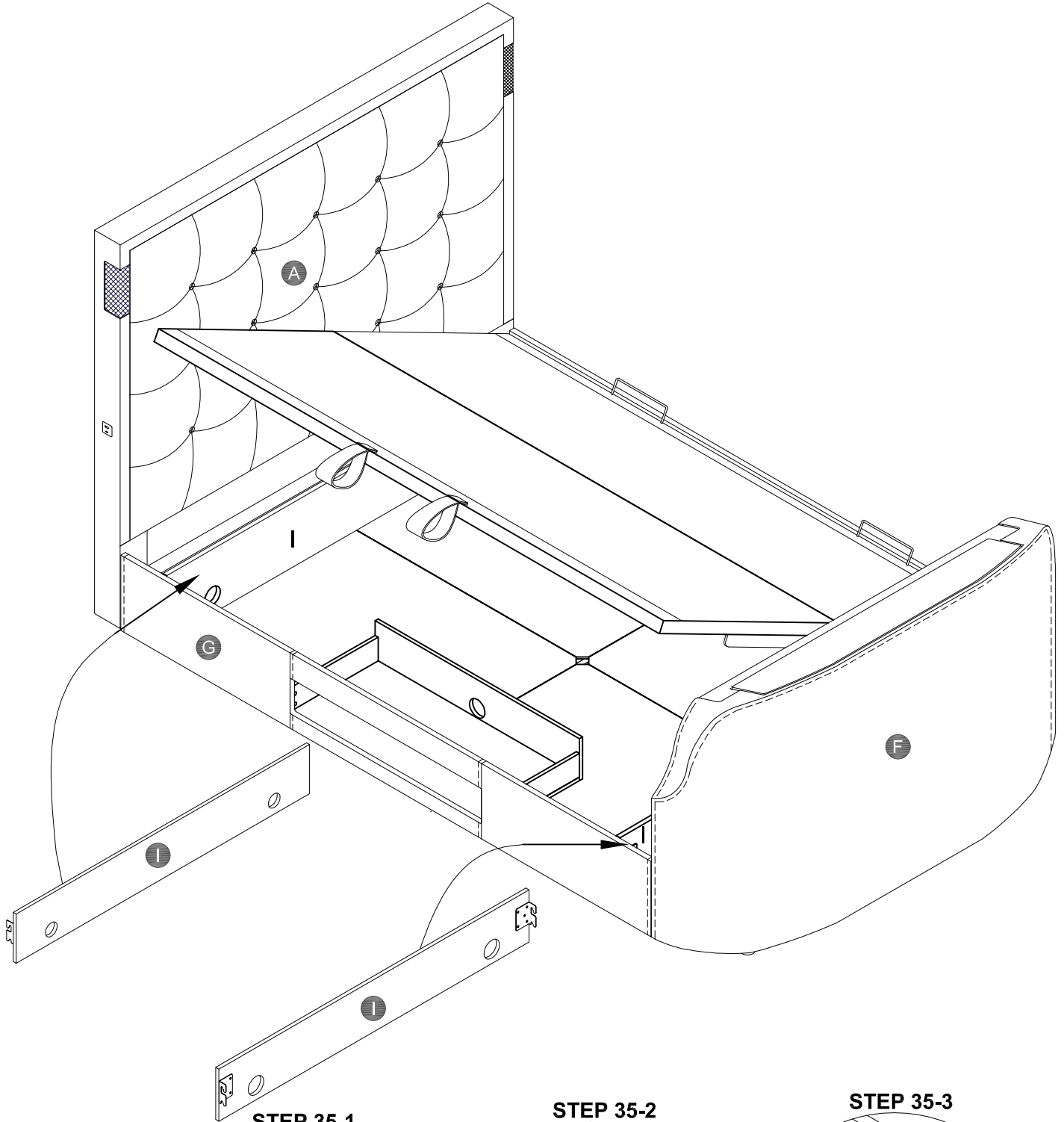
STEP 34

- Attach the "Media Compartment" to the side rail as shown.
- Tighten all the bolts as shown.



STEP 35

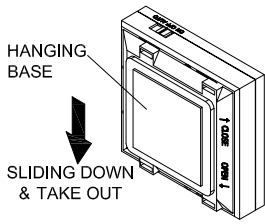
- Loosen the bolts attach to the side rail as shown. (Note: only loosen the bolts Do **NOT** remove them.)
- Hook the centre panel 'I' over the bolts as shown.
- Repeat the action on the opposite side.
- Tighten the centre panel 'I'.



STEP 36

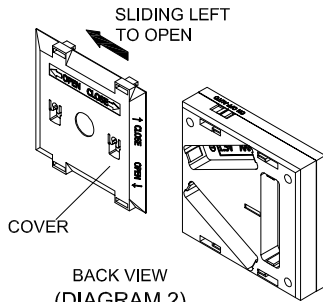
- Installed LED sensor light (AJ) to the bottom of lift base (O).

(37.1) FIRSTLY, WE NEED TO OPEN THE HANGING BASE FROM THE LED SENSOR LIGHT



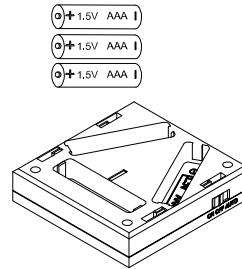
BACK VIEW (DIAGRAM 1)

(37.2) THEN, TAKE OUT THE COVER FROM THE LED SENSOR LIGHT



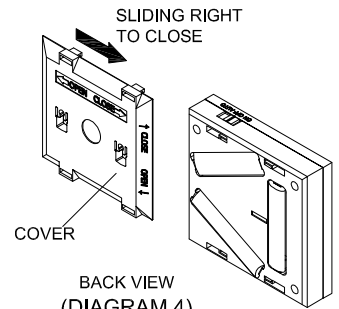
BACK VIEW (DIAGRAM 2)

(37.3) THEN, INSERT THE BATTERY 1.5V AAA SIZE TO THE LED SENSOR LIGHT. (BATTERY NOT PROVIDED)



(DIAGRAM 3)

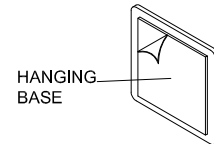
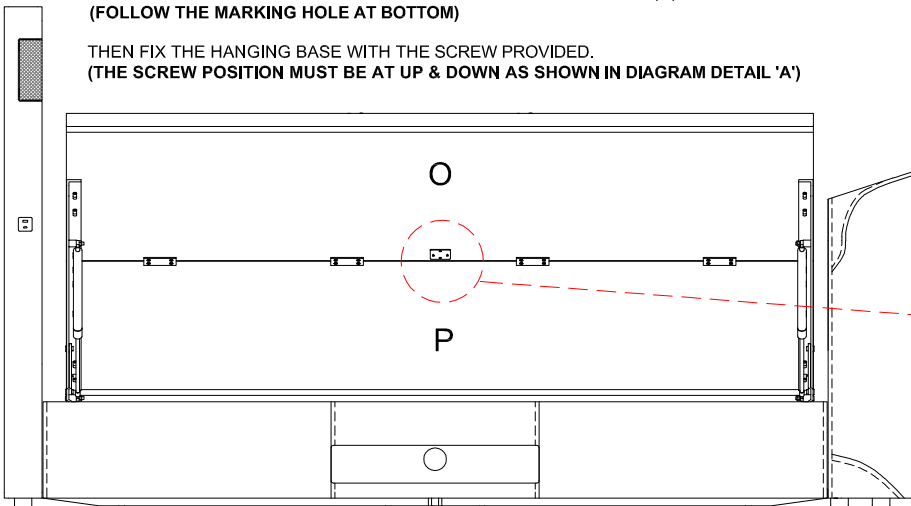
(37.4) AFTER THAT, SLIDE THE COVER BACK TO THE LED SENSOR LIGHT.



BACK VIEW (DIAGRAM 4)

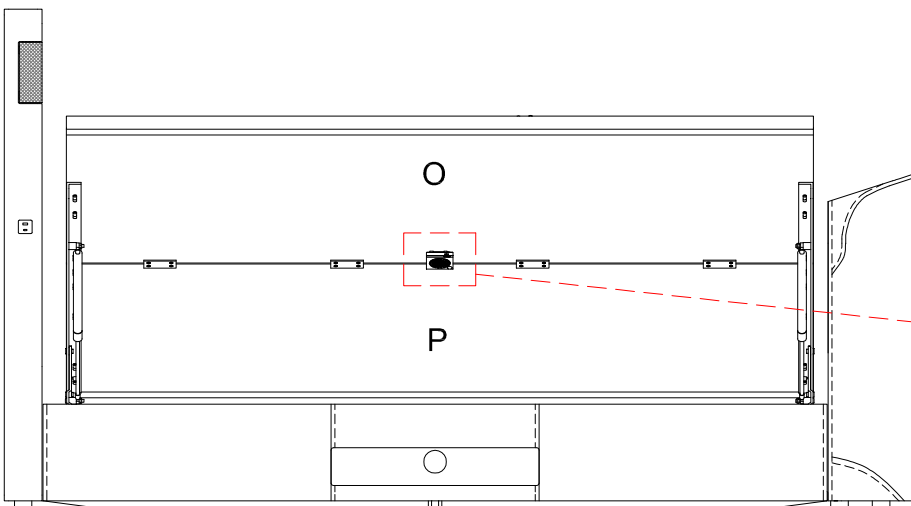
TEAR OFF THE DOUBLE SIDED TAPE FROM THE HANGING BASE. THEN ATTACH THE HANGING BASE TO THE BOTTOM OF LIFT BASE (O) (FOLLOW THE MARKING HOLE AT BOTTOM)

THEN FIX THE HANGING BASE WITH THE SCREW PROVIDED. (THE SCREW POSITION MUST BE AT UP & DOWN AS SHOWN IN DIAGRAM DETAIL 'A')

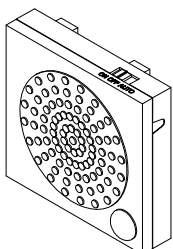
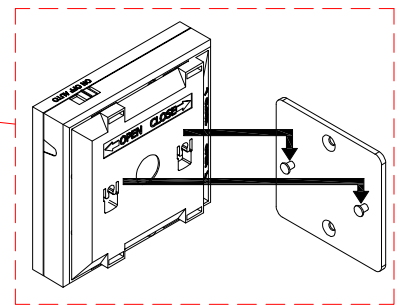


HANGING BASE

AK



HOOK THE LED SENSOR LIGHT TO THE HANGING BASE.



LED SENSOR LIGHT FUNCTION

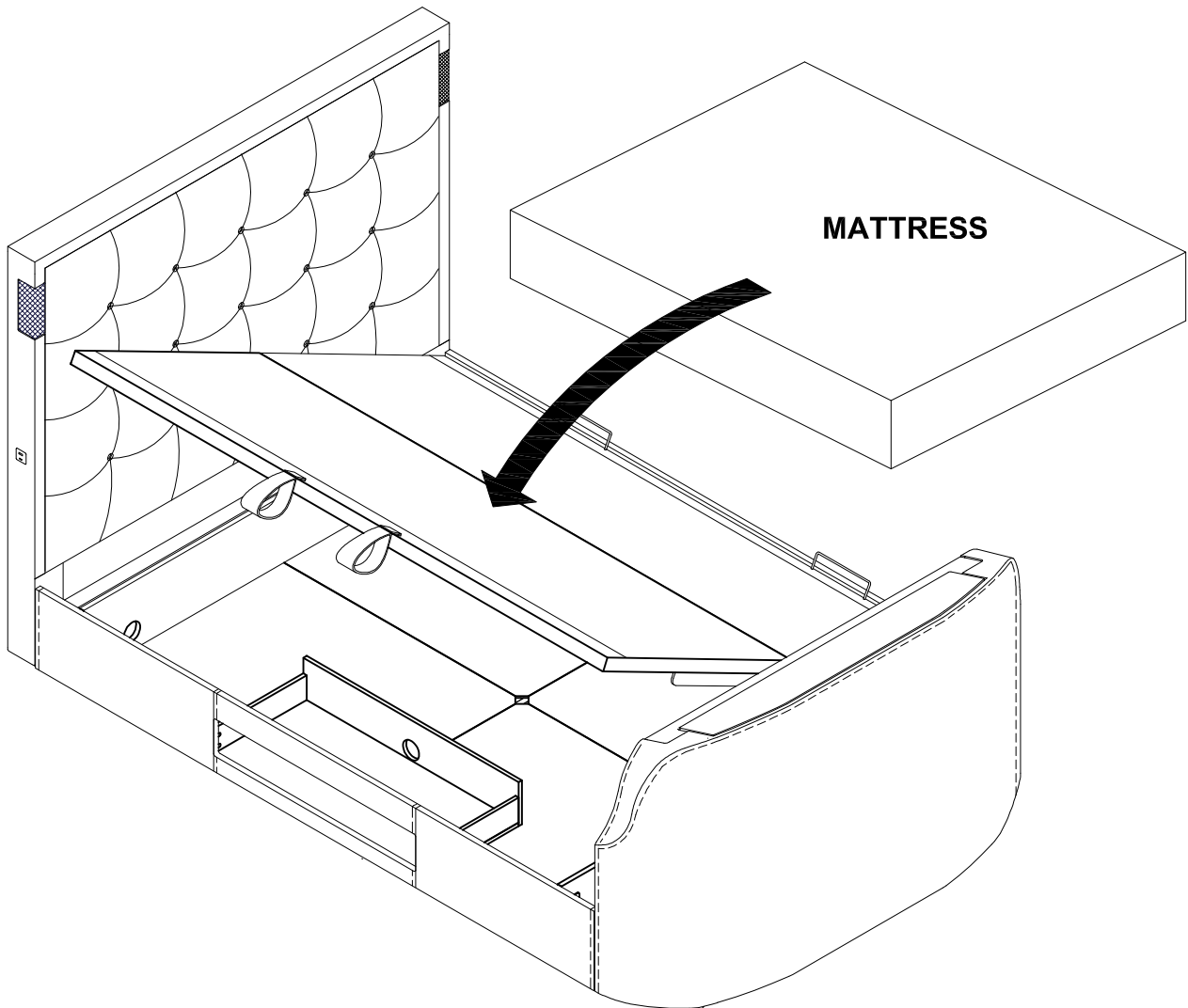
OFF :- THE LIGHT IS OFF.

ON :- THE LIGHT WILL STAY ON .

AUTO :- THE LIGHT WILL ACTIVATE WHEN MOTION IS DETECTED AND STAY ON FOR APPROXIMATELY 20 SECONDS THEN TURN OFF UNTIL ACTIVATED AGAIN.

STEP 37

- Place the mattress on the sleeping base whilst in the raised position to assist lowering the base. Please note the lifting operation should only be attempted with the mattress in place.



A. This Lift Mechanism provides assistance with the lift of the mattress fitted to the base - it does not lift the mattress for you. The system has been designed to effectively lift the base system fitted with a variety of mattress weights and combinations of depth. Depending on the combination of mattress weight and depth determines the degree of assistance provided by the mechanism.

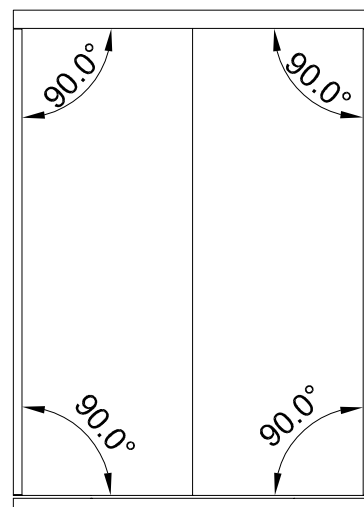
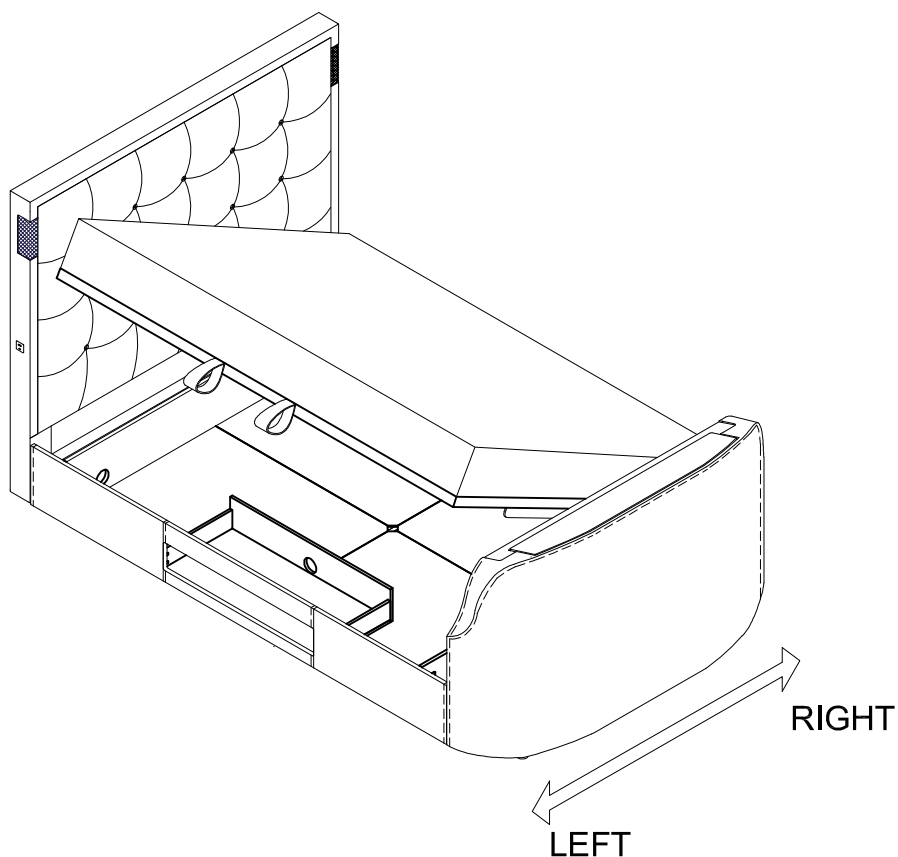
B. Following installation of the mechanism lift / pull the base up and down a few times to free off the system. The gas cylinders fitted to the system may be stiff when first used or if the system has not been operated for a period of time. The mattress must be fitted to the base.

C. Use the strap handle to lift up the mattress base using two hands - Pull the mattress base down using two hands equally spaced from the centre of the mattress base. **DO NOT** pull down on one side of the base only as this is likely to damage the base system with potential failure of the mattress base system and lift mechanism. **Do not operate the lift up mechanism without the mattress fitted to the base.**

CAUTION : Do not allow children to operate the lift Mechanism.
Do not allow children near the lift base when operating the Mechanism.
Do not allow children in the area of the internal storage base.
Keep hands clear of the mechanism when operating the base system.
Do not stand inside the bed / on the internal storage base.
Do not overload the internal storage base.

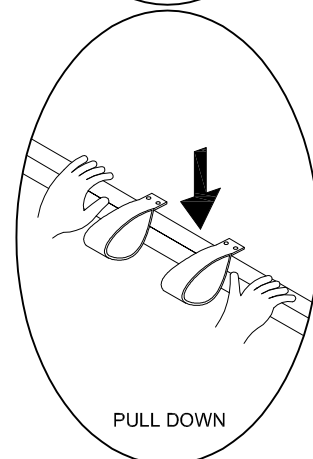
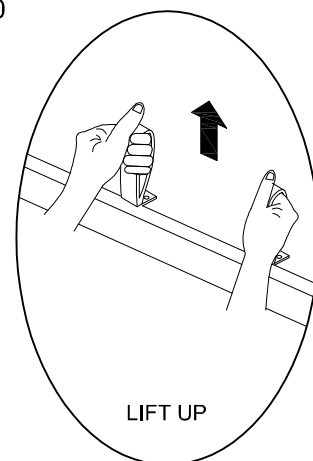
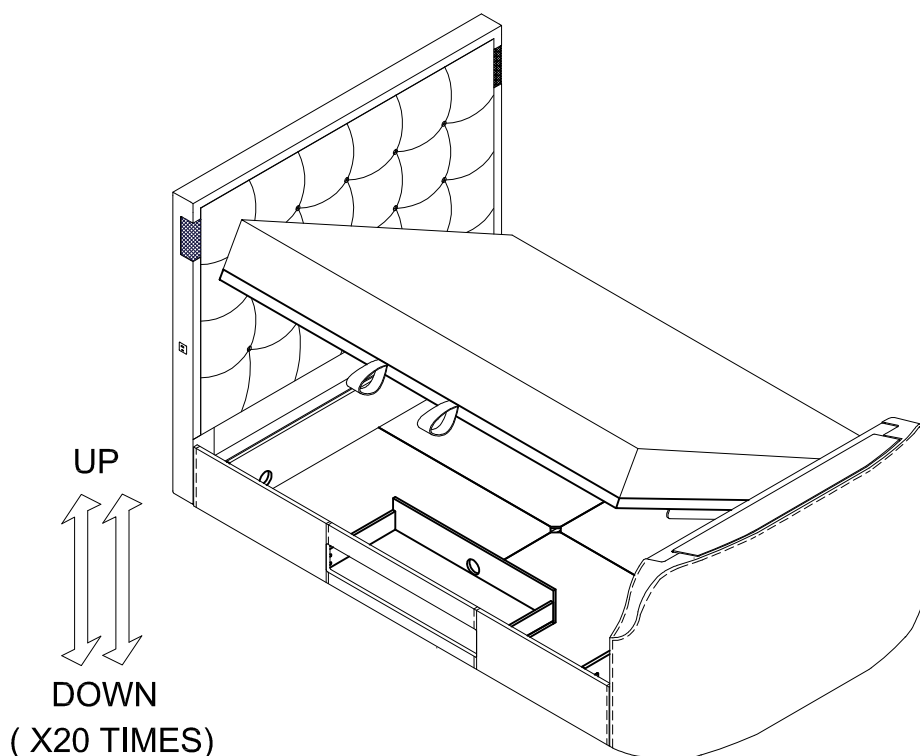
STEP 38

- Make sure the bed frame 4 side angles are at 90 degrees before you closing the lift base.



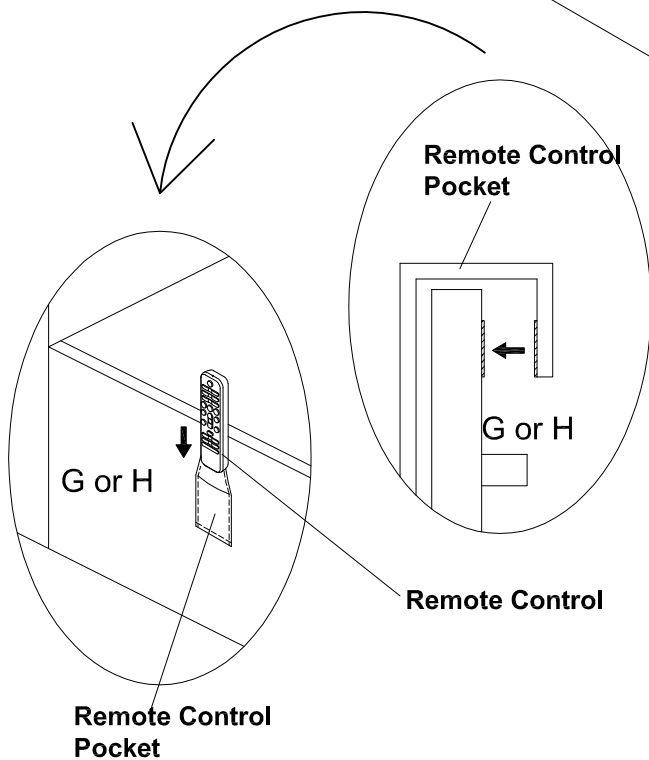
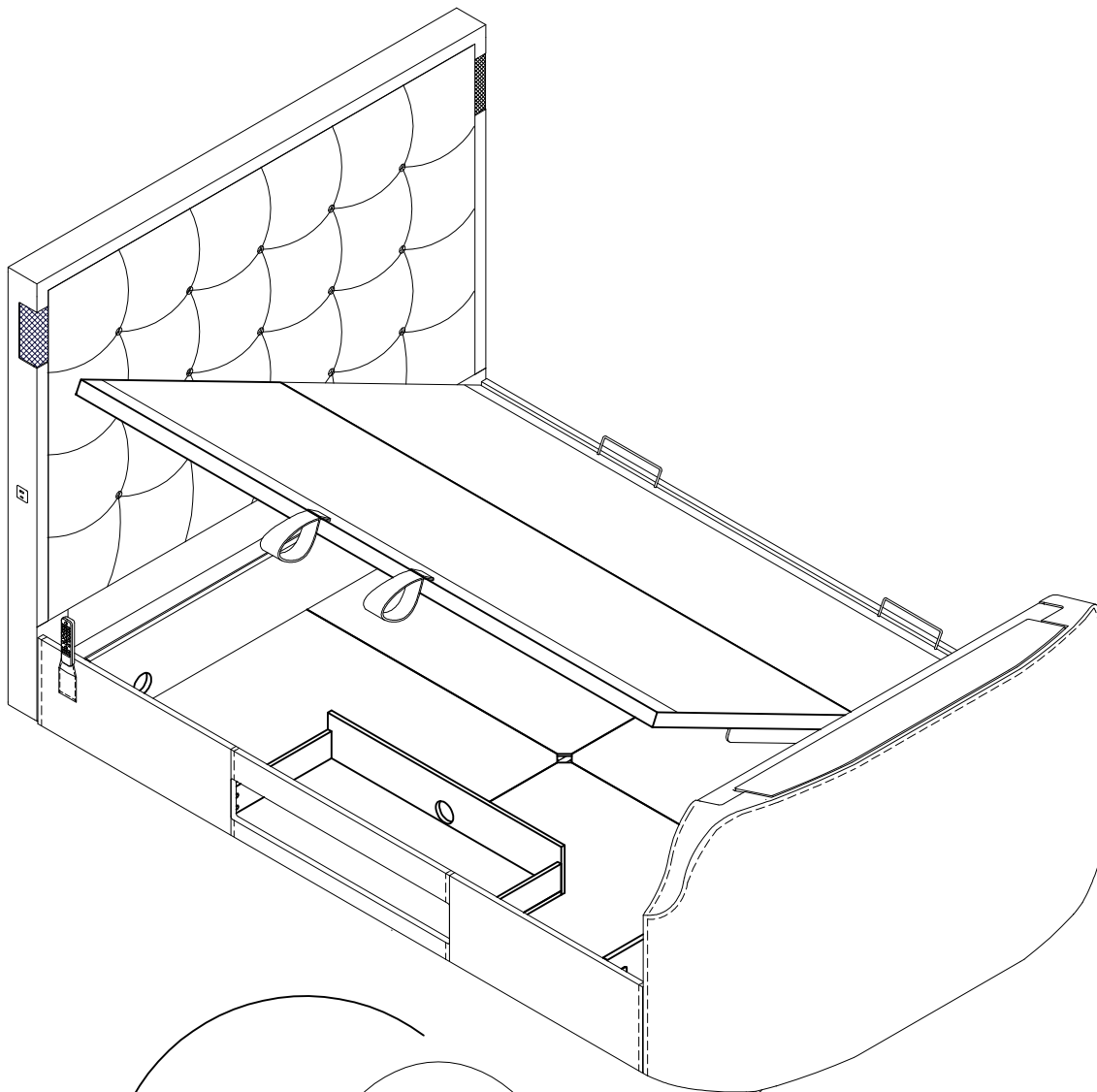
STEP 39

- The mattress must be fitted on the lift base. (Do not operate the lift up mechanism without the mattress fitted on the lift base.)
- Lift Up and Down the lift-up frame with mattress at least 20 times before use.

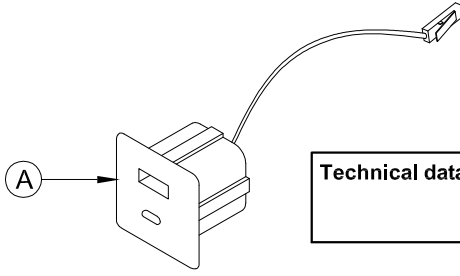


STEP 40

- Attach the Remote Control Pocket to the left or right sides of the side rail as preferred.

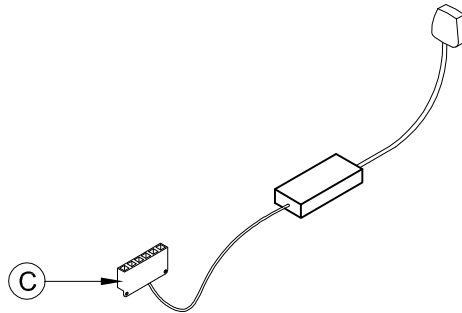


CHARGING +LED LIGHT OPTI-SERVE SPARE PARTS LIST

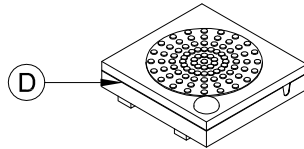


Technical data : Vout 1 (USB A Port): 5V/3.6A; 9V/2.5A; 12V/2A
 Vout 2 (USB Type-C Port):
 5V/3A; 9V/3A; 12V/2.25A; 5V/3.6A; 9V/2.5A; 12V/2A

ITEM NO	PART DESCRIPTION	IV CODES
A	Dual USB TYPE-A (QC3.0) / TYPE C (PD)	IV000078

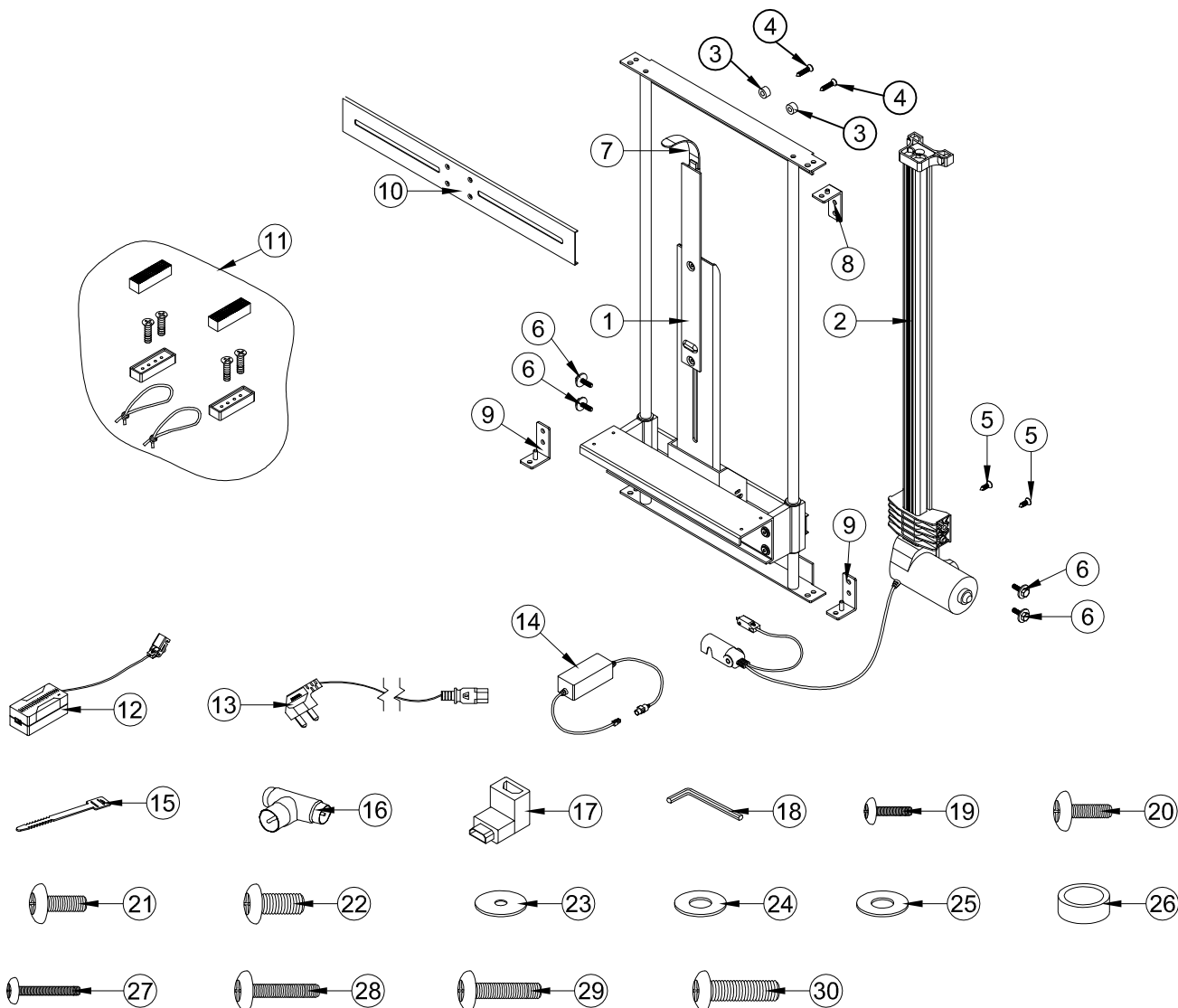


ITEM NO	PART DESCRIPTION	IV CODES
C	6 Way Adaptor - Output 12V DC Max 100W (UK)	IV000079



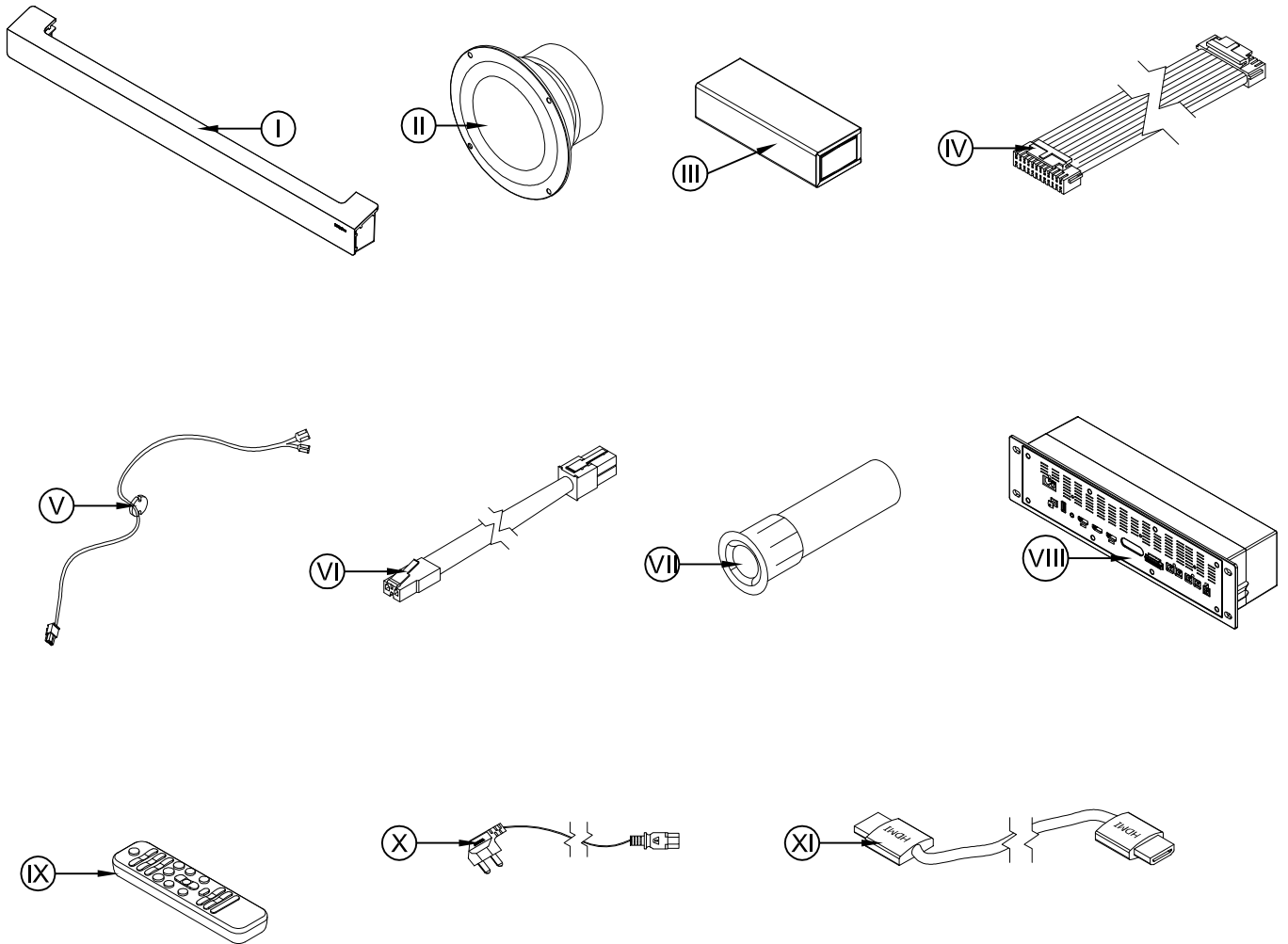
ITEM NO	PART DESCRIPTION	IV CODES
D	LED Sensor Light	IV001813

G4 TV LIFT MECHANISM- OPTI-SERVE SPARE PARTS LIST



ITEM NO.	PART DESCRIPTION	IV CODES
1	Main TV-lift up mechanism (pre-assemble)	IV 001282
2	TV-linear actuator G4 (pre-fixed)	
3	Actuator mounting top spacer (2pcs) (pre-fixed)	
4	Cross recessed countersunk flat head wood screw- Top mounting M6 x 30mm (2pcs) (pre-fixed)	
5	Cross recessed countersunk flat head wood screw- Top mounting M6 x 20mm (2pcs) (pre-fixed)	
6	Actuator mounting bolt- screw M6 x 20mm (4pcs) (pre-fixed)	
7	Gooseneck (pre-fixed)	IV 001289
8	Top hanging bracket (2pcs) (pre-fixed)	IV 001636
9	Bottom hanging bracket (2pcs) (pre-fixed)	
10	TV- flat bracket (Vesa Bracket) (pre-fixed)	IV 001290
11	TV block (2pcs), screw M4 x 35mm (4pcs), block rubber cover (2pcs), cable management bungee cable (2pcs) (pre-fixed)	IV 001635
12	AC-DC Adaptor 29-2A (1pc)	IV 000062
13	TV-lift up mechanism AC/ power-cable power plug UK (1pc)	IV 001295
14	Control Box KDDY 083A-1K1-KD (1pc)	IV 000061
15	Cable clip (2pcs)-use to fix wire	IV 001634
16	Aerial connection (1pc)	
17	90 degree HDMI adaptor (1pc)	
18	Allen key (M4) (1pc)	
19	Pan head screw M4 x 20mm (2pcs)	
20	Pan head screw M5 x 20mm (2pcs)	
21	Pan head screw M6 x 20mm (2pcs)	
22	Pan head screw M8 x 20mm (2pcs)	
23	M5 washer (2pcs)	
24	M6 washer (2pcs)	
25	M8 washer (2pcs)	
26	Plastic collar (6pcs)	
27	Pan head screw M4 x 40mm (2pcs)	
28	Pan head screw M5 x 40mm (2pcs)	
29	Pan head screw M6 x 40mm (2pcs)	
30	Pan head screw M8 x 40mm (2pcs)	
31	Pan head screw M8 x 40mm (2pcs)	

5.1.2 AUDIO- OPTI-SERVE SPARE PARTS LIST



ITEM NO.	PART DESCRIPTION	IV CODES
I	U Sound Bar DOLBY ATMOS Audio & Metal Bracket(3pcs) (pre-fixed)	IV 000047
II	Woofer 4 inch DOLBY ATMOS Audio- rsr (pre-fixed)	IV 000052
III	Surround Speaker & Flat Metal Bracket(2pcs) DOLBY ATMOS Audio- rsr (pre-fixed)	IV 000049
IV	Amplifier 180W communicate cord x 1.2m + 4 cable long clip DOLBY ATMOS Audio- rsr (pre-fixed)	IV 000045
V	Woofer 4 inch cable x 1.6m DOLBY ATMOS Audio- rsr (pre-fixed)	IV 000054
VI	Surround speaker cable x 4m DOLBY ATMOS Audio- rsr (RED / BLUE) (pre-fixed)	IV 000051 / IV 000055
VII	Woofer tube D43 x 180mm DOLBY ATMOS Audio- rsr (pre-fixed)	IV 000053
VIII	Amplifier 180W DOLBY ATMOS Audio- rsr (pre-fixed)	IV 000044
IX	IR remote control DOLBY ATMOS Audio- rsr	IV 000056
X	Power AC Cord Amplifier DOLBY ATMOS Audio- rsr (1pc)	IV 000058
XI	HDMI cable 2.0m DOLBY ATMOS Audio- rsr (1pc)	IV 000046

SPECIFICATIONS

SPECIFICATION-TV MECHANISM

FEATURE	Wireless Remote Control-TV LIFT MECHANISM
INPUT	100V-240V~ 50/60Hz 1500mA
OUTPUT	29V --- 2A
DUTY CYCLE	MAX 10% ; MAX 2 min / 18 min
BATTERY (WIRELESS REMOTE CONTROL)	Size: AAA - Ø10.5 X T44.5mm - Spec.: 1.5V

SPECIFICATION-5.1.2 CH DOLBY ATMOS

System Section	Power Supply	100-240V ~ 50/60Hz
	Power Consumption	30 W
	Power Consumption of Standby	< 0.5 W
	Impedance	8Ω x 6 + 4Ω
	Audio input sensitivity	500mV
	Frequency Response	120Hz - 20KHz
MAX Output Power by speaker	Total	180W
	Soundbar	15W x 2 + 30W
	Up Firing	15W x 2
	Surround	15W x 2
	Subwoofer	30W x 2
Bluetooth	Version / profiles	V 4.2 (A2DP, AVRCP)
	Maximum power transmitted	≤ 5 dBm
	Frequency bands	2400 MHz ~ 2483.5 MHz
Remote Control	Distance / Angle IR Frequency	6m / 30°
	Battery type	2 x LRO3, 1.5V, AAA
Driver Size	Soundbar	1.5" x 2 + 2.5" + 2" x 4+φ20mm x 2
	Subwoofer	4" x 2
	Surround	2" x 2

* Specification subject to change without prior notice. Measured under specific conditions.