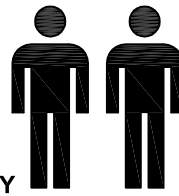


DESCRIPTION:

TITAN 3 OTTOMAN 4.1 MEDIA TV BED

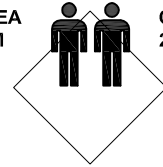
1.5 Hr

APPROXIMATE ASSEMBLY TIME



2 PERSON ASSEMBLY

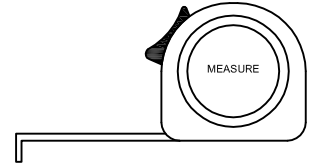
FLOOR AREA
2.5M X 2.5M



CEILING HEIGHT
2.5M

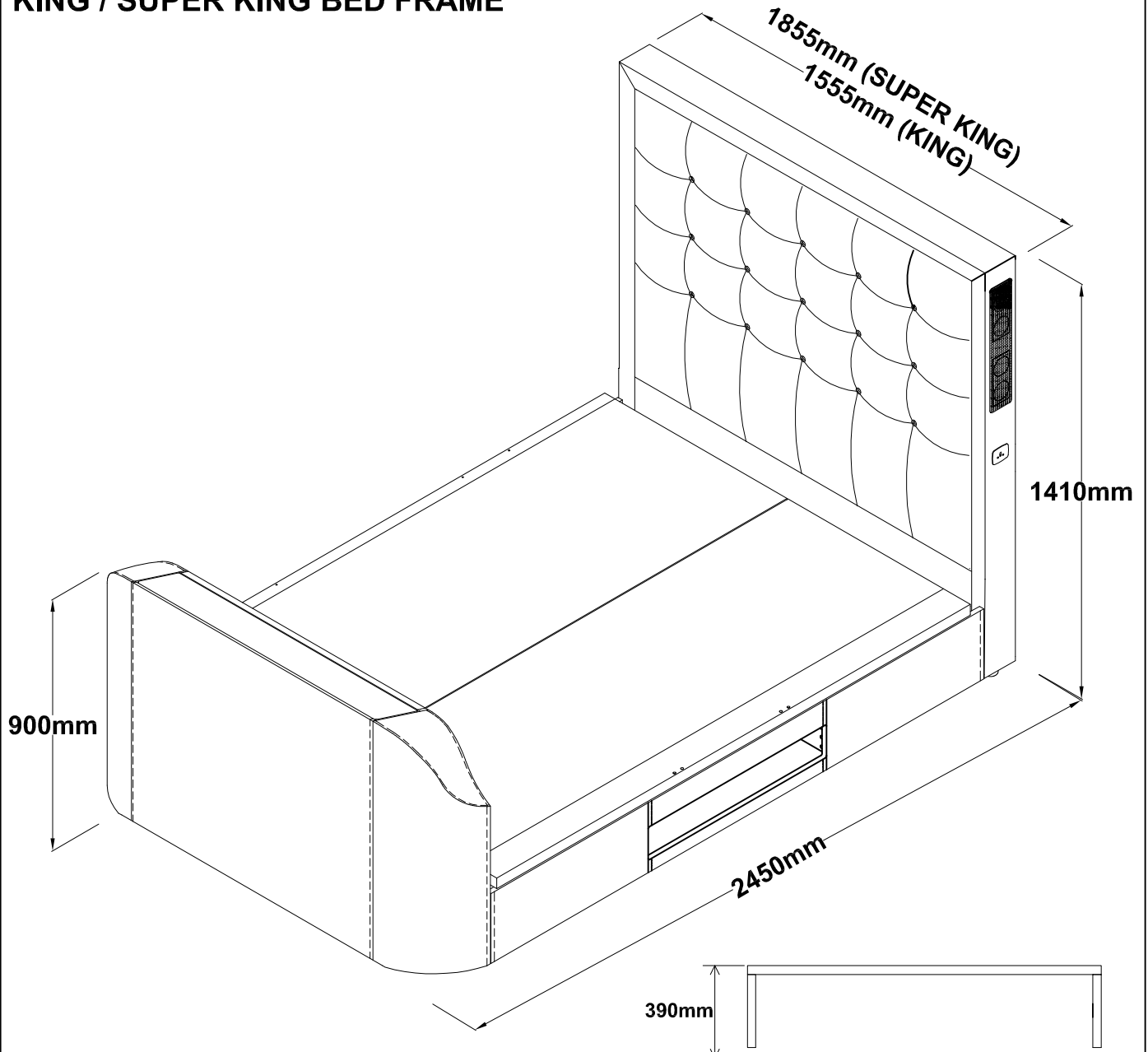
REQUIRED ASSEMBLY SPACE

REQUIRED ASSEMBLY TOOLS



ASSEMBLED DIMENSIONS

KING / SUPER KING BED FRAME



Internal size for mattress = 1540mm x 2080mm (KING)
Internal size for mattress = 1840mm x 2080mm (SUPER KING)

Regrettably self-assembly items cannot be returned once assembly is part or fully completed unless the items are found to be faulty. Should you need to return the unassembled product, please repack in its original packaging.

Important Information

- We suggest you spend a short time reading through this leaflet and then follow the simple step-by-step instructions.
- Carefully check that you have all the parts before beginning assembly.
- Keep fittings out of children's reach and keep children well away from construction area.
- We suggest you retain these instructions for future reference.

Product Information

- Side lift up storage TV bed.
- Upholstered Bed. Conforms to BS EN 1725 & BS 5852.
- TV Lift system has a maximum load capacity of 80lbs (37kg)
- This product has a cavity and TV lift dimension restriction. Note TV Restrictions : Max Height 58cm Max Width 98cm and Max Depth 7.5cm.

NOTE:

In the event this product is purchased without an associated TV, or in instances where the user decides to use an alternative TV to the one supplied by the retailer- It is the users responsibility to ensure their chosen television is dimensionally compatible, allowing for Aerial & HDMI leads and all other cables and peripherals (like USB sticks) are managed in a way that does not cause damage to either the product or chosen Television. Please read the disclaimer at the bottom of this page. Please contact the bed manufacturers UK support centre helpline, in instances were you require additional TV set-up information.

Care Instructions

- Avoid exposing the furniture to excessive heat or direct sunlight as this can cause cracking or deterioration of the colour.
- Periodically check & re-tighten any fastener.
- Periodically dust lightly with a clean soft cloth.
- Do not use silicone based furniture polish.
- Any spills should be removed immediately with a soft damp cloth.
- TAKE CARE WHEN MOVING THE FURNITURE AND NEVER DRAG THE PIECES ACROSS THE FLOOR, AS THIS WILL CAUSE DAMAGE TO THE JOINTS.

ATTENTION! PLEASE NOTE:

In the event you are experiencing any technical difficulties and you require additional assistance/ support with your product 'Mechanical/ Electrical' function - Please Contact:

SUPPORT EMAIL: support@bssbfurnitureinnovation.com

UK PRODUCT SUPPORT HOTLINE : 01462600064

Contact your retailer for all other issues such as damage, missing or faulty components (non electrical) or anything else of a non technical/electrical nature.

DISCLAIMER

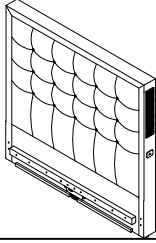
Whereas every effort has been made to allow this product to utilise the maximum number of TV's available it is not possible to accommodate every product in an ever changing market. It is the responsibility of the customer to ensure suitability of the TV to the TV bed before attempting operation. It is the customers responsibility to ensure all wiring is correctly placed in accordance with both the TV and TV bed manufacturer.

Seller will not be held responsible for any damage caused to the TV, TV Cabling or TV bed due to incompatibility of equipment used.

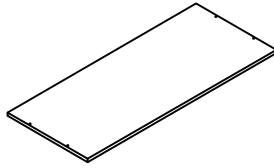
Comforms To :	CE_LIFT_Controller unit Linear actuator in UK/ EU (LVD + EMC + RoHS):
	-EN 60335-1; EN 62233; EN 55014-1; EN55014-2; EN 61000-3-2; EN 61000-3-3;
	CE_MEDIA SYSTEM_For Audio System in UK/ EU (LVD + EMC + RoHS):
	-EN 60065; EN 550132; EN 55020; EN 301489, EN300328; EN62479; EN55032;

Components of Carton 1

(A) Headboard x 1



(B) DVD/Media
Compartment
Base Panel x 1



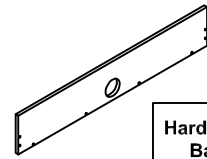
(C) DVD/Media
Compartment Side
Panel (Left) x 1



(D) DVD/Media
Compartment Side
Panel (Right) x 1



(E) DVD/Media
Compartment
Rear Panel x 1

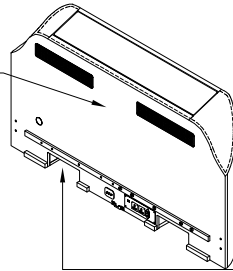


Hardware
Bag

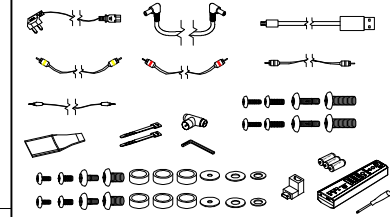
Component of Carton 2

(F) Footboard x 1

TV Mechanism &
sound system
pre-fixed in the foot end

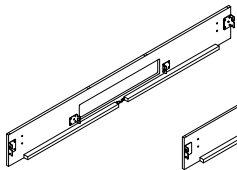


Hardware Box

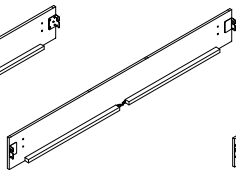


Components of Carton 3

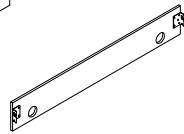
(G) Side Rail-1 x 1



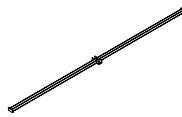
(H) Side Rail-2 x 1



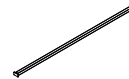
(CR) Centre Rail
x 2



(I) Bottom Cross
Bar (Long) x 1



(J) Bottom Cross
Bar (Short) x 2



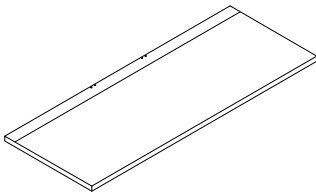
(K) Centre Support
Leg with Screw x 1



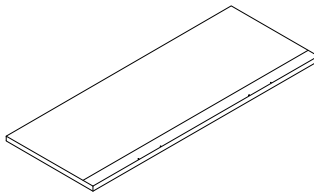
Hardware
Bag

Components of Carton 4

(L) Lift Base -1 x 1

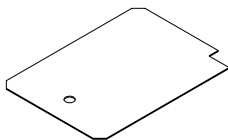


(M) Lift Base -2 x 1

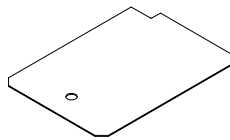


Components of Carton 4

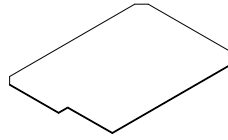
(N) Bottom Base-1 x 1



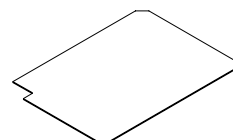
(O) Bottom Base-2 x 1



(P) Bottom Base-3 x 1

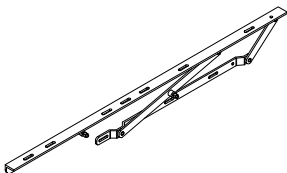


(Q) Bottom Base-4 x 1

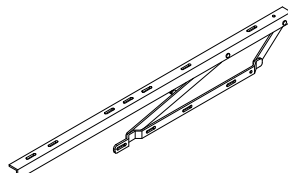


Components of Carton 5

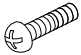

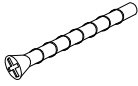
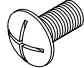
(R) Lift Up Mechanism Left x 1



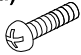

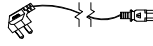


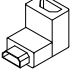


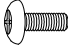
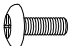
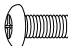






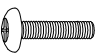

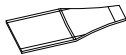
(S) Lift Up Mechanism Right x 1



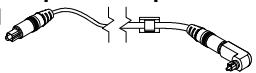
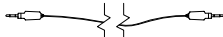
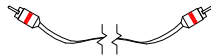
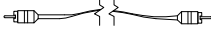
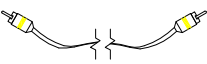
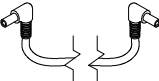
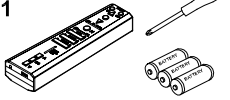
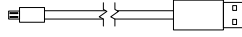
Hardware List (in Carton 1)

(T) M8 x 25mm x 9 (Pre-Installed) 	(U) M8 x 18mm x 5 (Pre-Installed) 	(V) M5 x 35mm x 12 	(W) M8 x 16mm x 4 
---	---	---	---

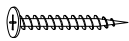

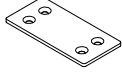


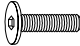

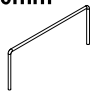
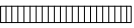


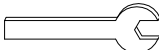

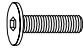

Hardware List-TV Lift & TV Connection (in Carton 2)

(T) M8 x 25mm x 9 (Pre-Installed) 	(U) M8 x 18mm x 5 (Pre-Installed) 	(13) TV lift up mechanism AC/ power cable power plug x 1 	(14) Cable Clip x 2 
(15) Aerial connection x 1 	(16) 90 degree HDMI adaptor x 1 	(17) Allen Key M4 x 1 	(18) PH Screw M4 x 20mm x 2 
(19) PH Screw M5 x 20mm x 2 	(20) PH Screw M6 x 20mm x 2 	(21) PH Screw M8 x 20mm x 2 	(22) M5 Washer x 2 
(23) M6 Washer x 2 	(24) M8 Washer x 2 	(25) Plastic Collar x 6 	(26) PH Screw M4 x 40mm x 2 
(27) PH Screw M5 x 40mm x 2 	(28) PH Screw M6 x 40mm x 2 	(29) PH Screw M8 x 40mm x 2 	(30) Wireless Remote Control Pocket x 1 

Audio / Speaker System Connection Hardware (in Carton 2)

(VIII + IX) Optical Cable with Optical Adaptor Head x 1 	(X) Aux Cable x 1 	(XI) RCA Cable-Red x 1 	(XII) RCA Cable-White x 1 
(XIII) RCA Cable-Yellow x 1 	(XIV) Power Cable x 1 	(XV + XVI) Wireless Remote Control + AAA Rechargeable Batteries + Micro Philips screw driver x 1 	(XVII) USB Micro-B (Male) charger cable x 1 

Hardware List (in Carton 3)

(X) #8 x 1-1/4" x 16 	(Y) M8 x 13mm x 4 	(Z) 3 X 40 x 86mm x 4 	(ZA) Strap Handle x 2 
(ZB) Gas Spring x 2 * DOUBLE 800N * KING 1000N * SUPER KING 1400N 	(ZC) M6 x 20mm x 4 	(ZD) M6 x 16mm x 4 	(ZE) Ø5 x 80 x 200mm x 2 
(ZF) Stud Bolt M6 x 40mm x 2 	(ZG) Screw Driver x 1 	(ZH) Allen Key (M4) x 1 	(ZI) Spanner x 1 
(BS) 8 x 16mm x 8 (Pre-Installed) 	Hardware List (in Carton 4)		
	(ZJ) M6 x 20mm x 12 (Pre-Installed) 	(ZK) M6 x 16mm x 12 (Pre-Installed) 	

Tips before you start!

1. Please check that all parts are present before you start the assembly of your furniture.
2. For ease and speed of assembly, we recommend that before you commence each step of the assembly, that you identify all the parts required for that step.
3. For larger items, please ensure that you have sufficient space and people (as indicated on page 1) to assemble your product safely. (Minimum Two Persons)
4. We recommend where possible, all items are assembled near to the area where they will be placed in use, to avoid moving the product unnecessarily once assembled.
5. Please ensure that your bed is placed on a level floor area. (Avoid setting up and installing your bed on uneven floor surface.
6. For the protection of your furniture, we recommend that the product is placed on a protected surface during assembly to prevent any damage.
7. During assembly please take care not to over-tighten any fittings, as this may damage the product.

Care and Maintenance of your Furniture

- Please periodically check all fittings and re-tighten as necessary.
- To clean your item, please use a soft damp cloth and wipe clean.
- Please do not jump on your furniture.
- Never allow any kind of liquid to remain on your furniture. This can cause finishes to de-laminate. Take care when spraying Perfume and deodorants etc as the vapour can settle on the upholstery and cause damage.
- It is important to Never Drag your bed as this can cause damage to the joints and the fixings. This may invalidate your guarantee.
- The bed should always be lifted into position or if moved for cleaning.

ATTENTION! PLEASE NOTE:

In the event you are experiencing any technical difficulties and you require additional assistance/ support with your product 'Mechanical/ Electrical' function - Please visit:

SUPPORT EMAIL: support@bssbfurnitureinnovation.com

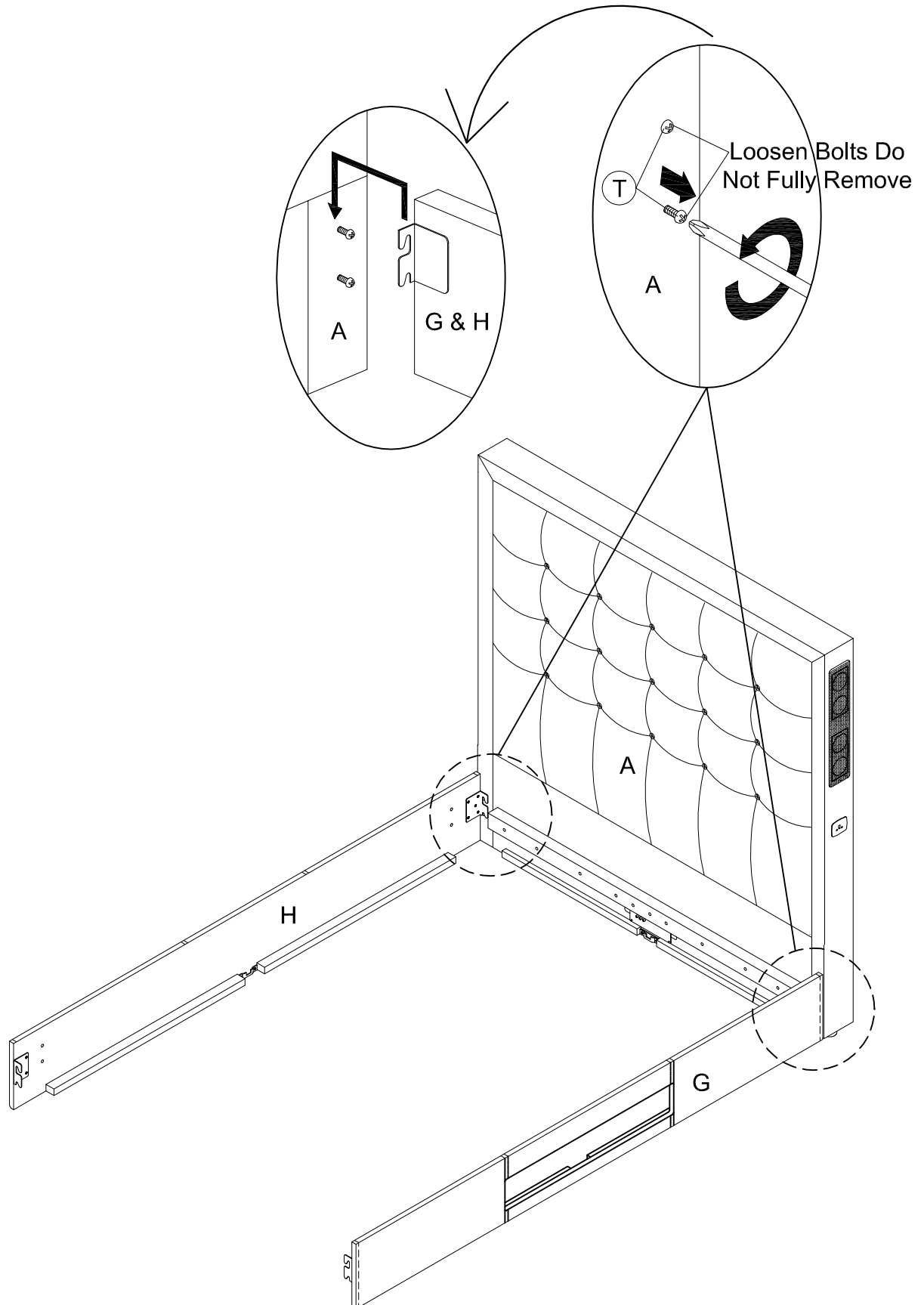
UK PRODUCT SUPPORT HOTLINE : 01462600064

Contact your retailer for all other issues such as damage, missing or faulty components (non electrical) or anything else of a non technical/electrical nature.

DO NOT USE ANY POWER TOOLS AS THIS MAY DAMAGE THE FRAME AND WILL INVALIDATE ANY CLAIM

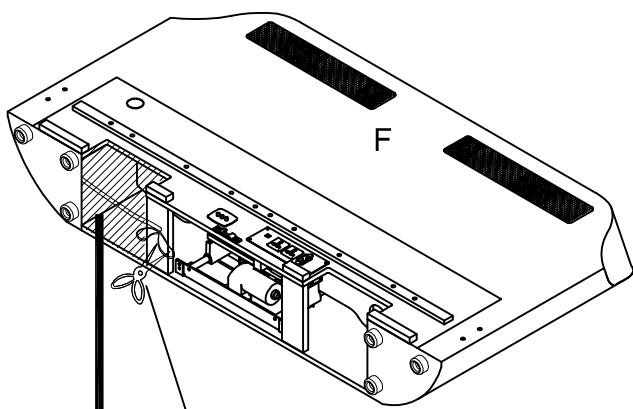
Step 1

- Before assembly please decide which side you require the "DVD / Media Compartment " Part 'G' side rail with opening will need to be placed at that side.
- Loosen the bolts located in the head end. (Note: only loosen the bolts Do NOT remove them.)
- Hook the side rail over the bolts as shown.
- Repeat the action on the opposite side.



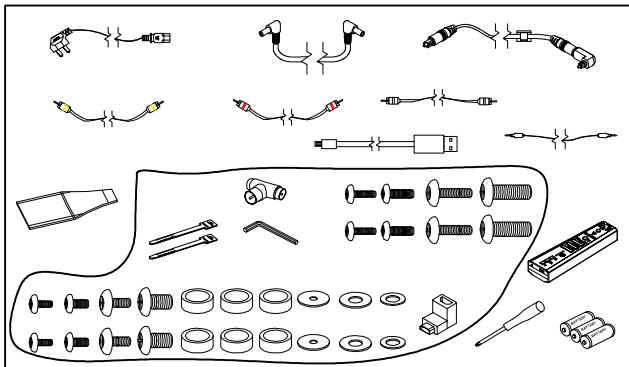
Step 2

- Carefully remove the footboard from carton 2, remove the Hardware Box and all extra transportation packaging from inside.
- To do this you will need to gently lay the foot end on it's back. Before doing so please ensure the area is completely free of anything that may cause damage or press into the fabric. Place a protective cover on the floor to avoid possible damage.
- The controls and hardware are held in place by string please carefully cut these and remove.

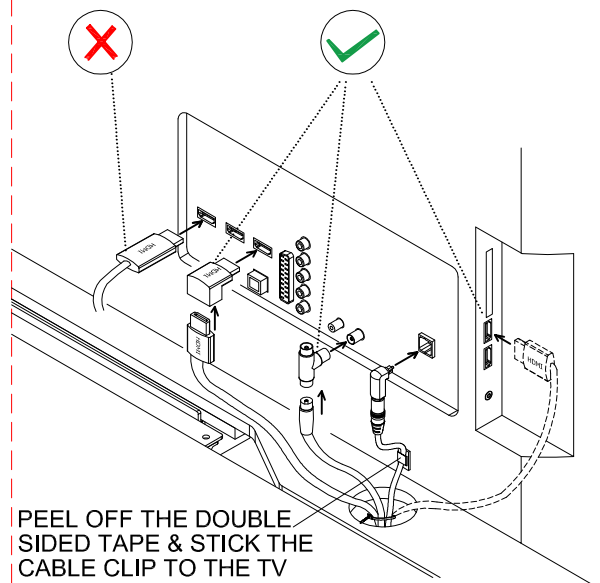


CAUTION:
PLEASE USE SCISSORS TO CUT THE STRING.
TAKE CARE WHEN REMOVING THE ACCESSORY BOXES NOT TO CATCH YOUR HANDS ON THE SIDES.

Hardware Box



YOUR TELEVISION REAR VIEW HDMI CABLE PLUG POSITION POSSIBLE SCENARIO'S



PEEL OFF THE DOUBLE SIDED TAPE & STICK THE CABLE CLIP TO THE TV

Attention Please Note : Connecting Your HDMI or Aerial Cable as shown in diagram (X) can seriously Damage Your TV sockets.

To reduce this possibility we have supplied 90 degree adaptors for both HDMI and Aerial connections.



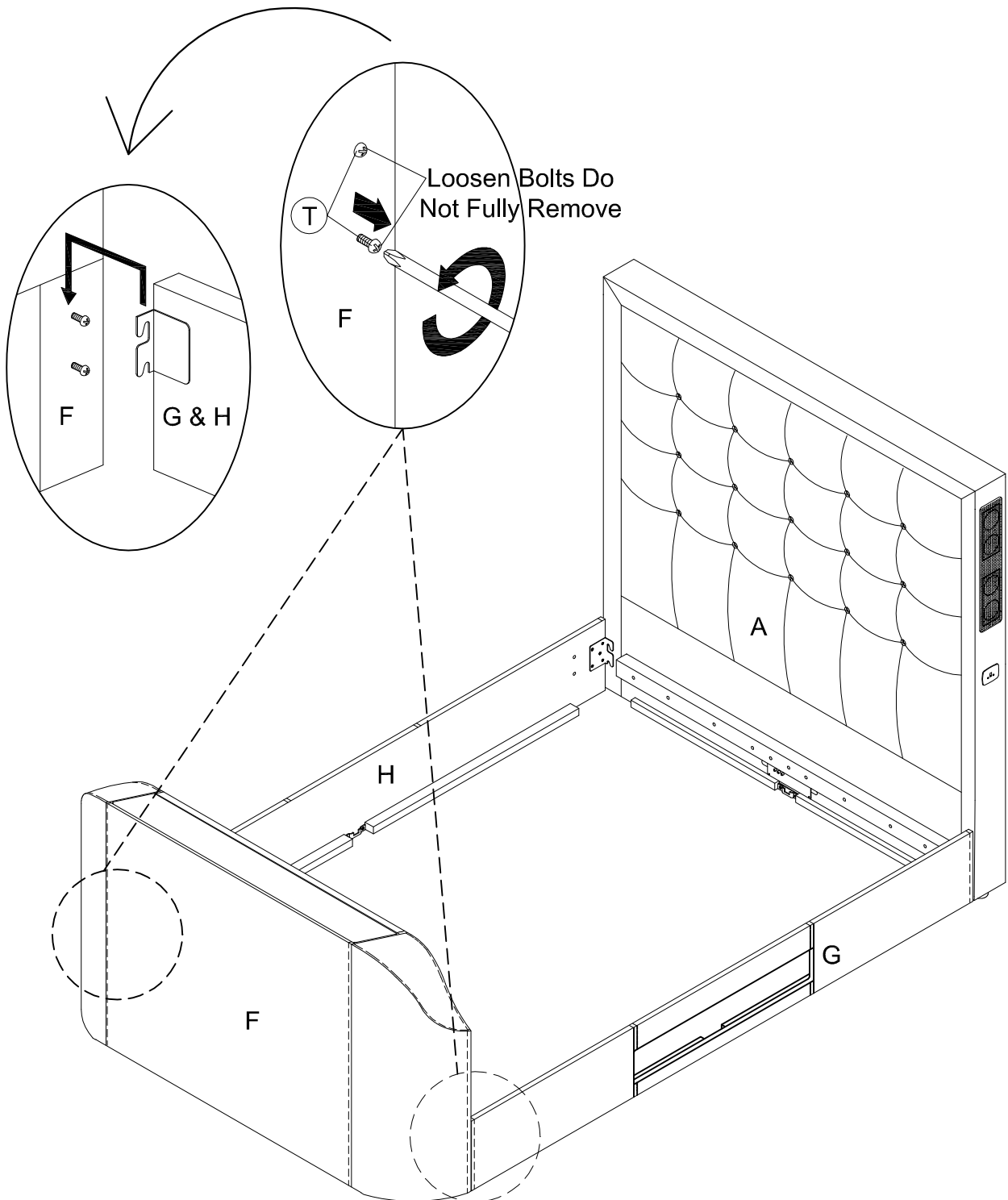
This will reduce the cable protrusion and lessen the possibility of the cable colliding with the bed frame.

These can be found in the bed frame hardware pack located in Box B (foot end). Please refer to the diagram above for the correct fitting of cables. More detailed information can also be found on page 19 (step 16) of your assembly instructions.

The manufacturer or retailer will not accept responsibility for any damages arising from incorrect installation.

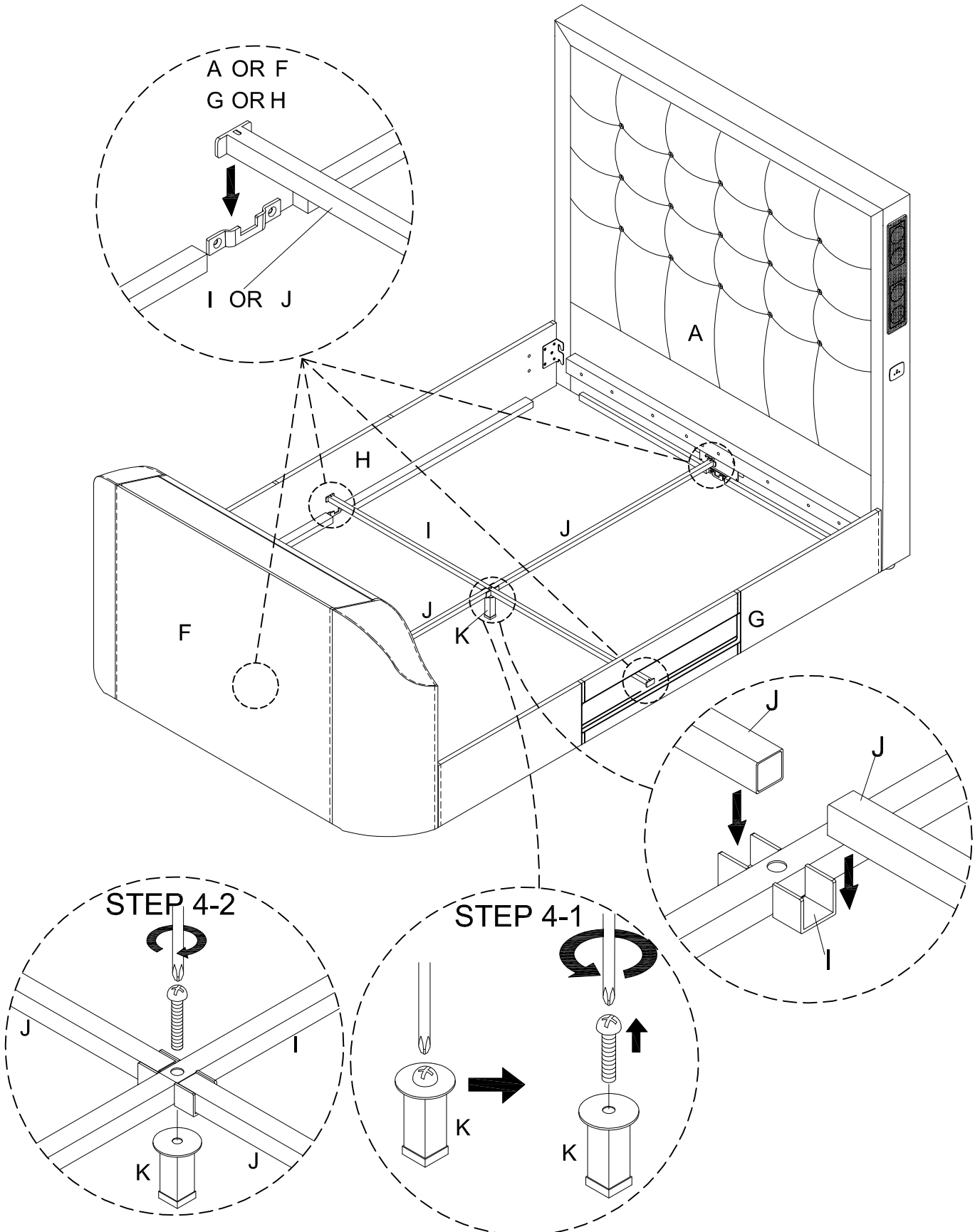
Step 3

- Carefully lift the foot end back to it's upright position.
- Loosen the bolts located in the foot end.
- Please note these should only be loosened and **NOT** removed.
- Hook the side rail brackets over the bolts on both sides.



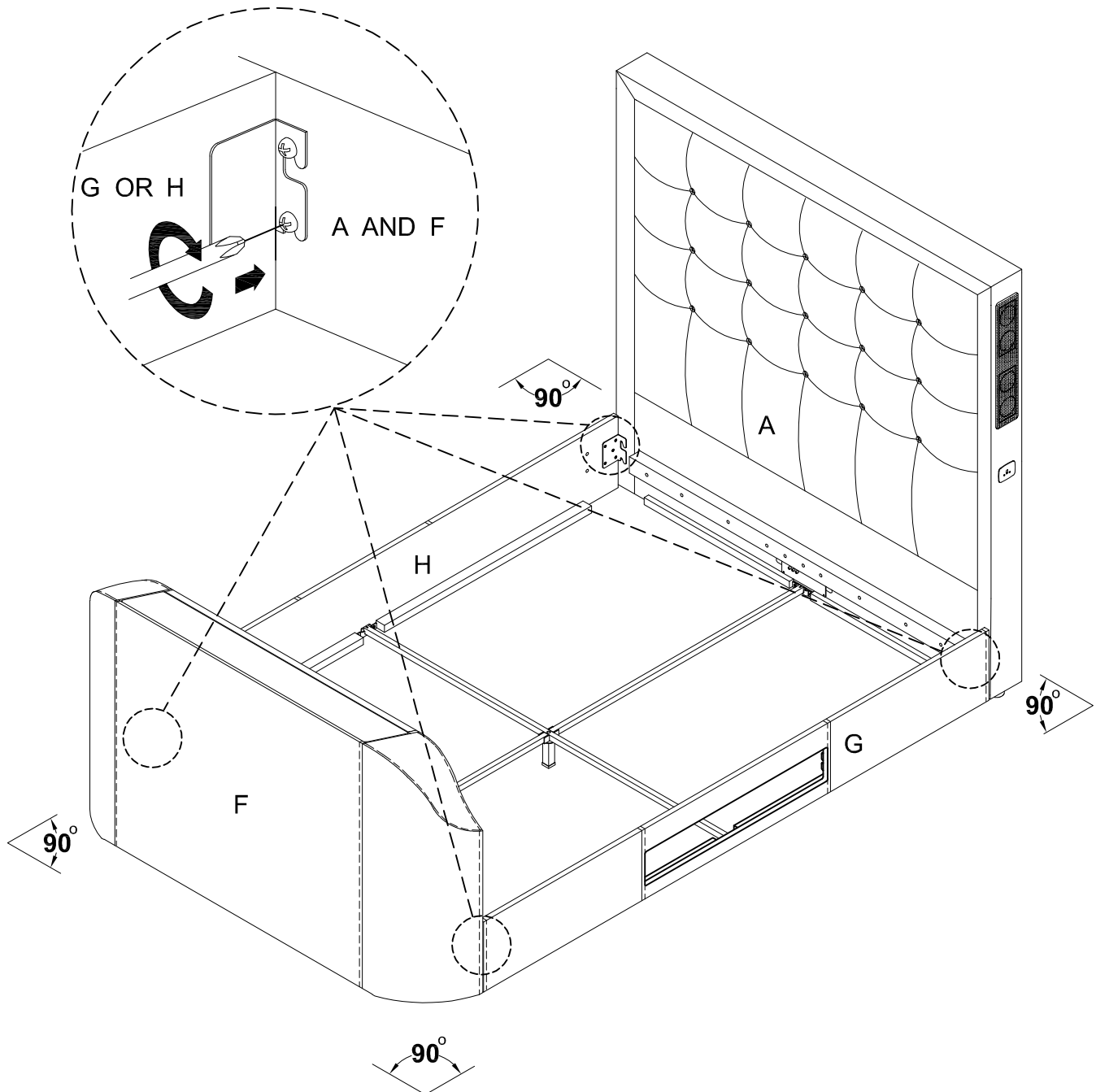
Step 4

- Hook the bottom cross bar long to the headboard & footboard as shown.
- Hook the bottom cross bar short to the side rail to the center of bottom cross bar long as shown.
- Then take out the bolt from center support leg & assemble to the center of bottom cross bar as shown.



Step 5

- Tighten all the bolts in headboard , footboard and side rail as shown.
- Make sure the four bed frame interior angles are at 90°.



Step 6

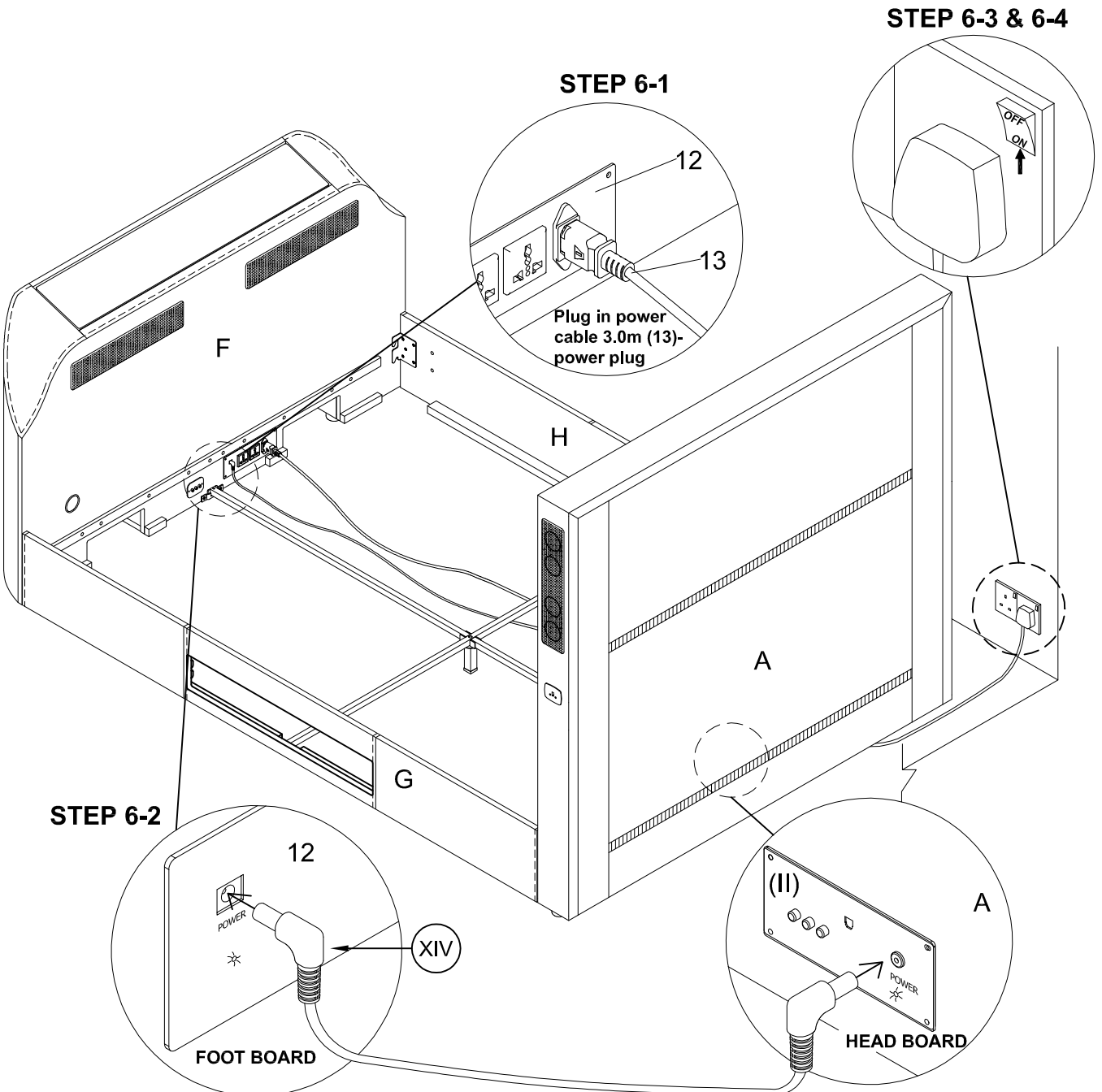
- Connecting the TV mechanism cable as shown. It is essential that connecting to the power supply is done in this order. Failure to do so will result in damage to your product.

Step 6-1 Connect the Power Cable (13) to the power adapter (12), which is pre-installed in the footboard, as shown.

Step 6-2 Connect the Power Cable (XIV) to the Headboard (A) & Footboard (F) as shown.

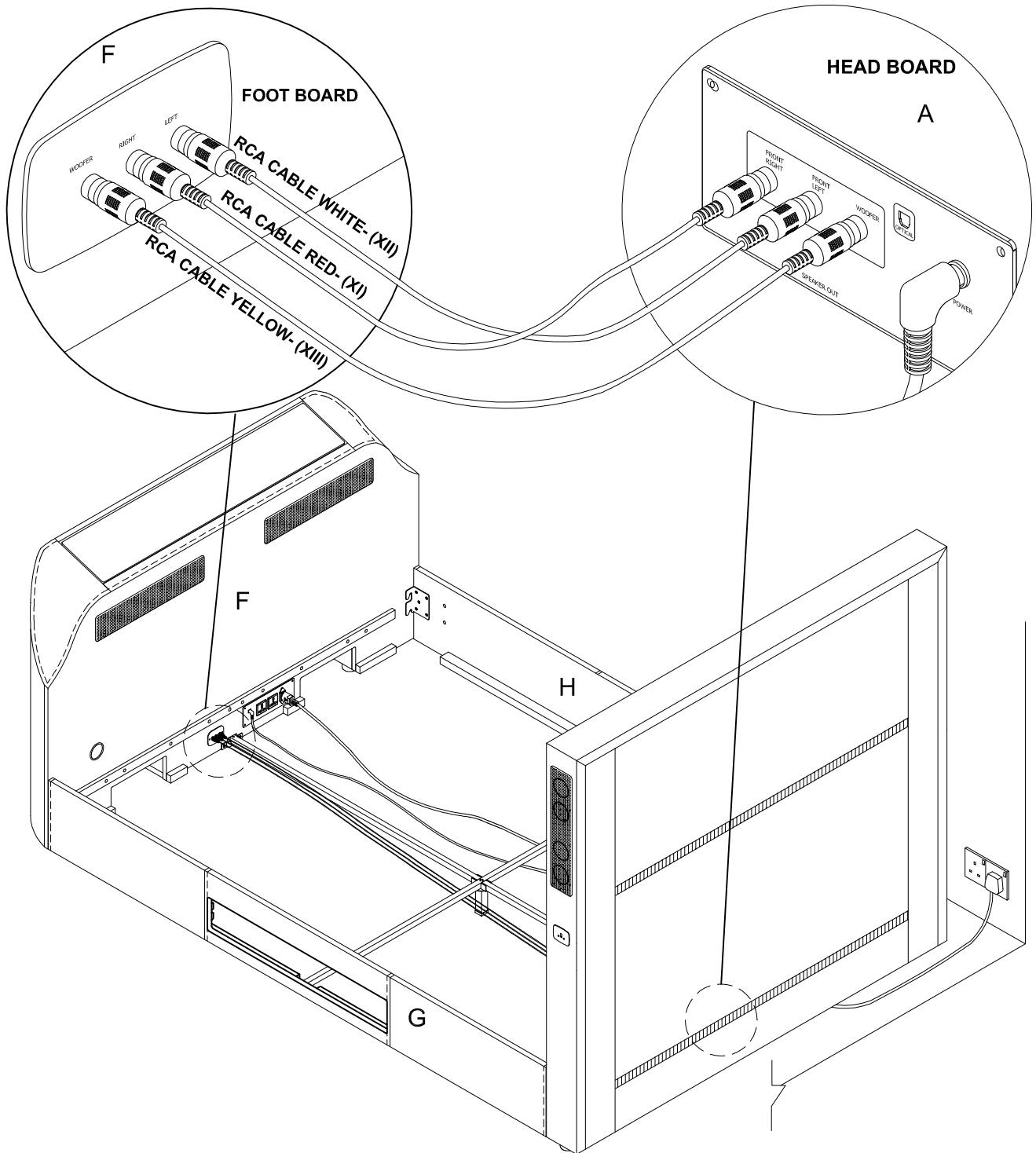
Step 6-3 Connect the Power Cable (13) power plug to a working main power supply.

Step 6-4 Switch on the main power supply, after 2~3 seconds you will hear the power on Audio notification. A red light will appear on power adapter (12) and Amplifier (II)



Step 7

- Connecting the RCA cable to headboard & footboard as shown. The colour of RCA cable must match with the footboard amplifier & headboard hub connections.

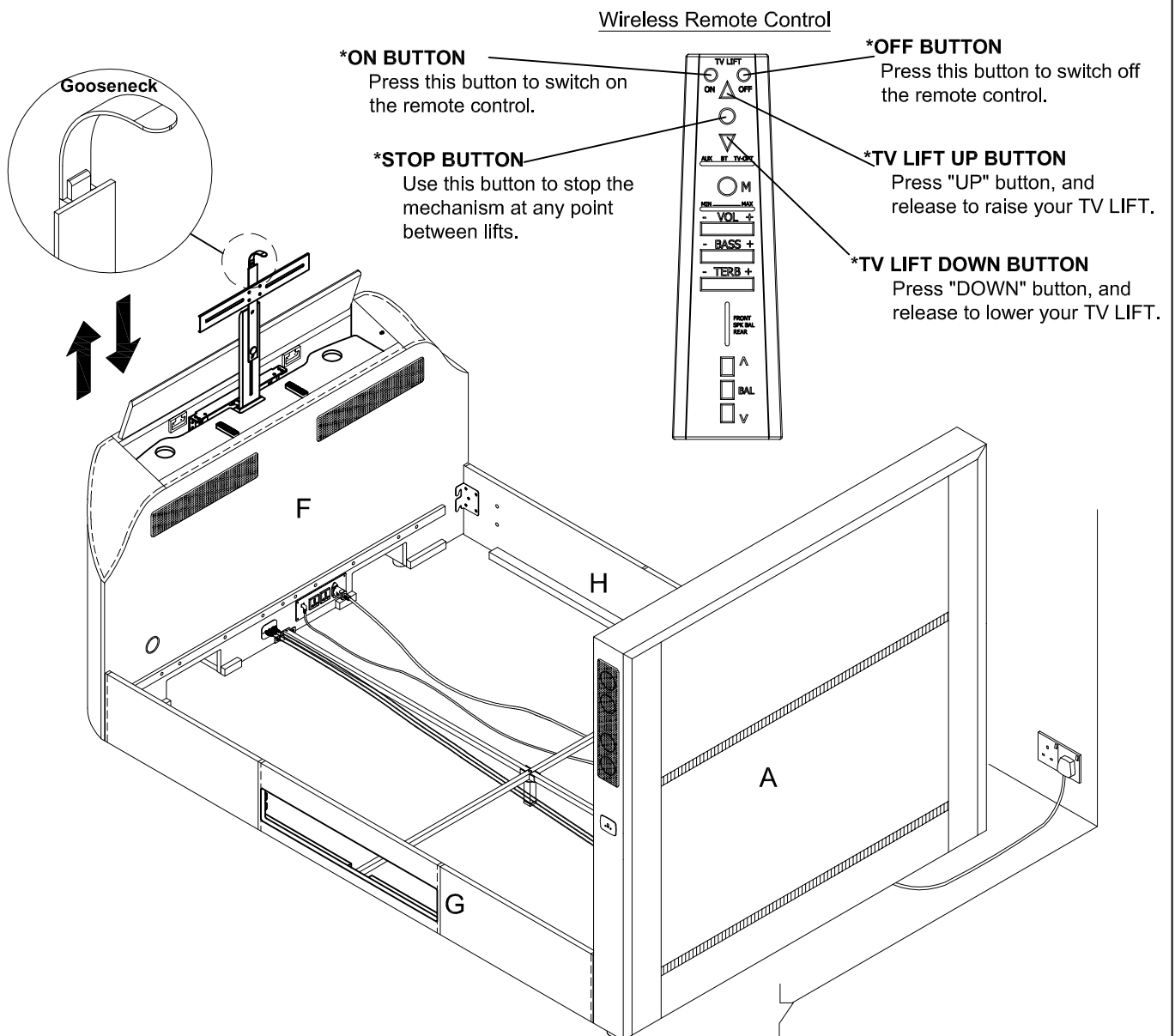


Step 8

- Remote Control Synchronization.
- **Please Note:** This product has a Radio Frequency Remote Control. This remote control operates both the TV Lift Mechanism and Speaker System.
- In order for the Remote Control to operate both components, a 'one time' Remote Control Synchronization is necessary.
- Once the bed is fully assembled and connected to a mains power supply. Ensure the power is switched 'off' at the mains power supply.
- Press the 'ON' Button at the Top of the Remote Control.
- Press and (continuously) hold the TV Lift 'UP' button on the Remote Control (While continuously pressing the 'UP' Button).
- Power on the mains power supply socket. (Do not take your finger off the Remote Control TV Lift 'UP' Button)
- Only release the TV Lift Up Button Once the TV Lift starts to operate (Should not take any longer than 5 seconds!).

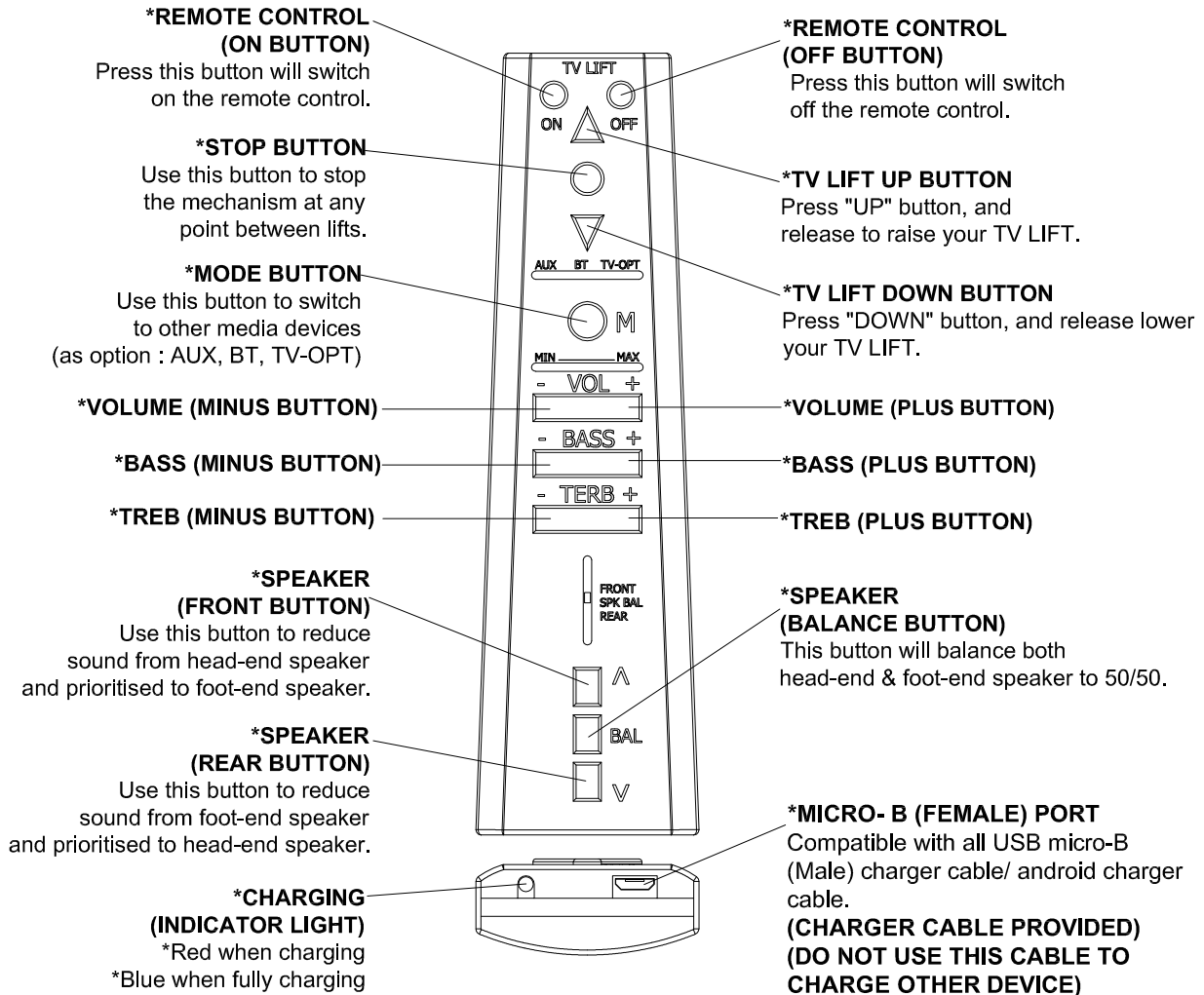
Repeat if necessary.....

In the event the remote control is not synchronizing with the TV Lift & Speaker System.
Please contact UK Support: 01462 600 064



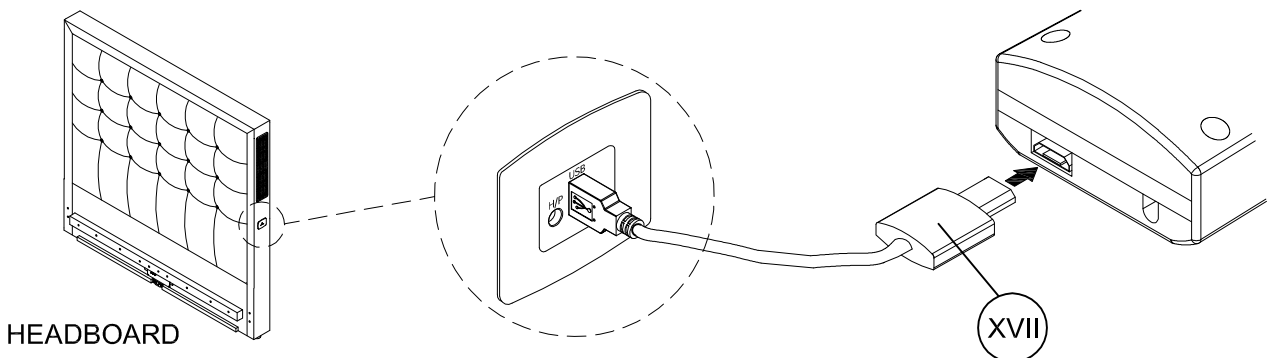
Step 9

- Audio system wireless remote control detail.
- Please fully charge wireless remote control.



Note : When battery is low the LED light will flash continuously and indicate that the remote control need to be charge.

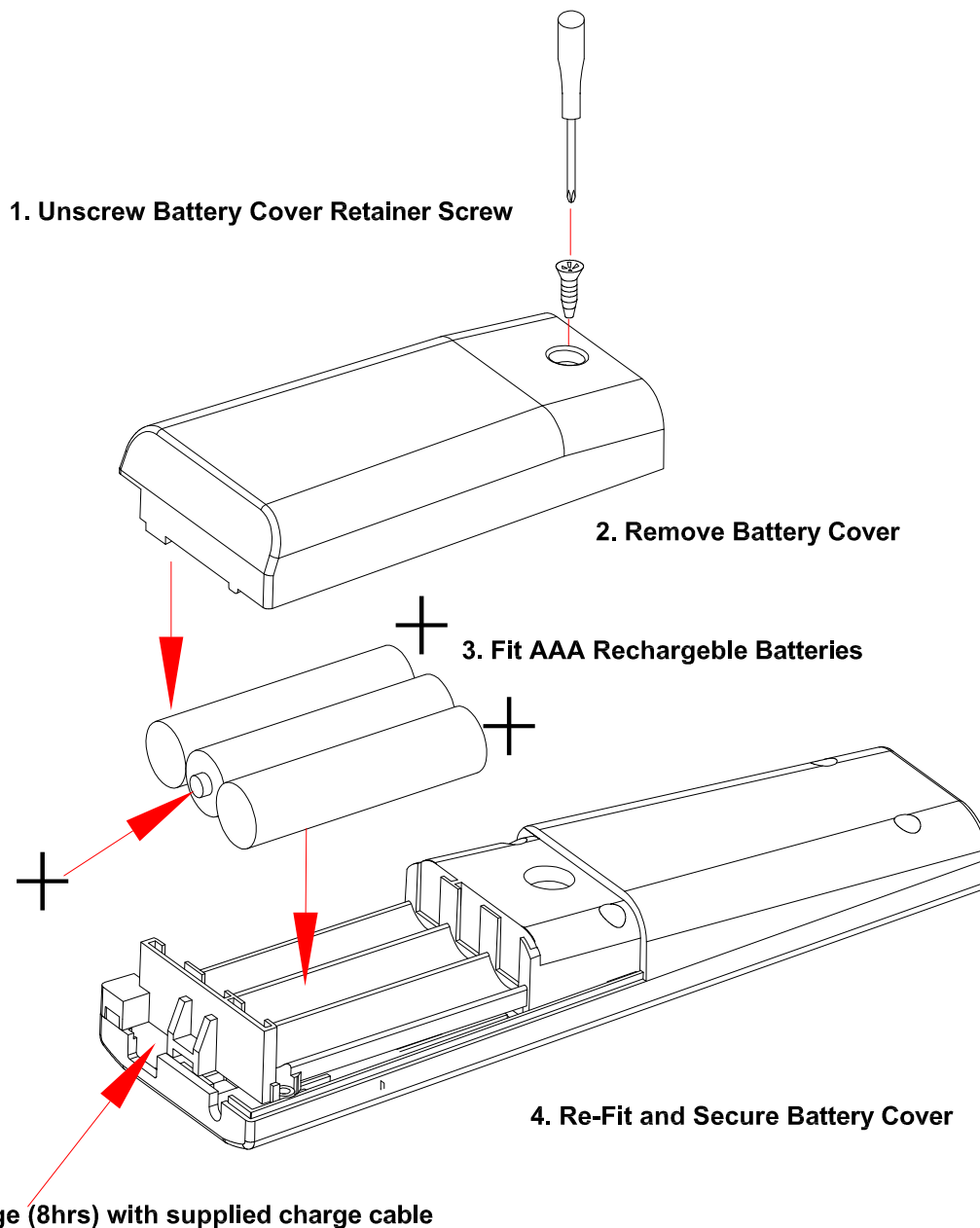
- Use the cable provided (XVII) to charge the wireless remote control (XV).



REMOTE CONTROL ALREADY SUPPLIED WITH FITTED AAA RECHARGEABLE BATTERIES.

REPLACE BATTERIES INSTRUCTION:-

PLEASE USE EITHER RECHARGEABLE BATTERY (AAA SIZE) 1.2A x 3 PIECES OR ALKALINE BATTERY (AAA SIZE) 1.5A x 3 PIECES. WHEN USING ALKALINE BATTERY, MUST NOT TO RECHARGE.



Remotes battery Notice:

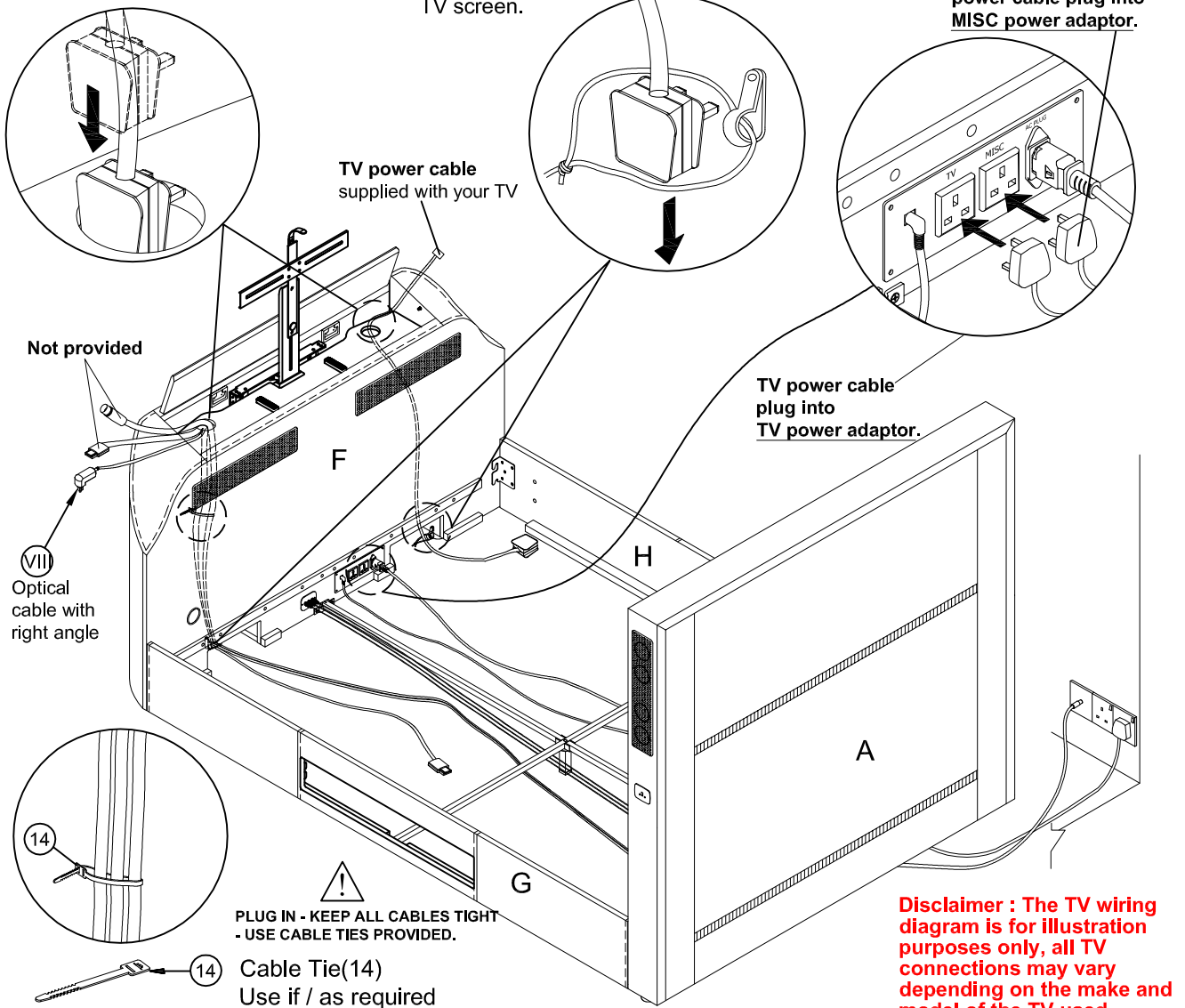
**REMOTE CONTROL COMPATIBLE WITH RECHARGEABLE BATTERY (AAA SIZE) 1.2V x 3 OR STANDARD ALKALINE BATTERY (AAA SIZE) 1.5V
DO NOT TO RECHARGE STANDARD BATTERIES
DO NOT MIX STANDARD AND RECHARGEABLE BATTERIES**

Step 10

- Cable connection plan. Make sure you have all the relevant cable connections required (HDMI cable, TV Aerial cable, TV power cable, Optical cable etc...) before you install the TV.
- The cable management holes are to help you to manage the cable and keep them tidy and free from snags. Pass all cables cleanly through these holes. While ensuring any cable slack is taken up from the bottom end of the footboard.
- The bed power supply unit (12) has a socket marked 'TV'. This is the power point for the TV power. This feature allows the TV to power on & off automatically. This is achieved by a unique cut off function for when the TV is lowered and auto power on for when it is raised. **(Certain TV might need to use remote controller to turn on).**

All TV, HDMI, Aerial, optical cables **MUST** go through the bungee cable at the Left /Right hand side of mouse hole. From a position looking at the TV screen.

DVD or any Audio devices power cable plug into **MISC** power adaptor.



Place all cables through the 'Cable Management' holes to prevent any damage to the cable when the TV Lift Mechanism is operating. Make sure all your the cables are long enough to let the TV Lift Mechanism move freely.

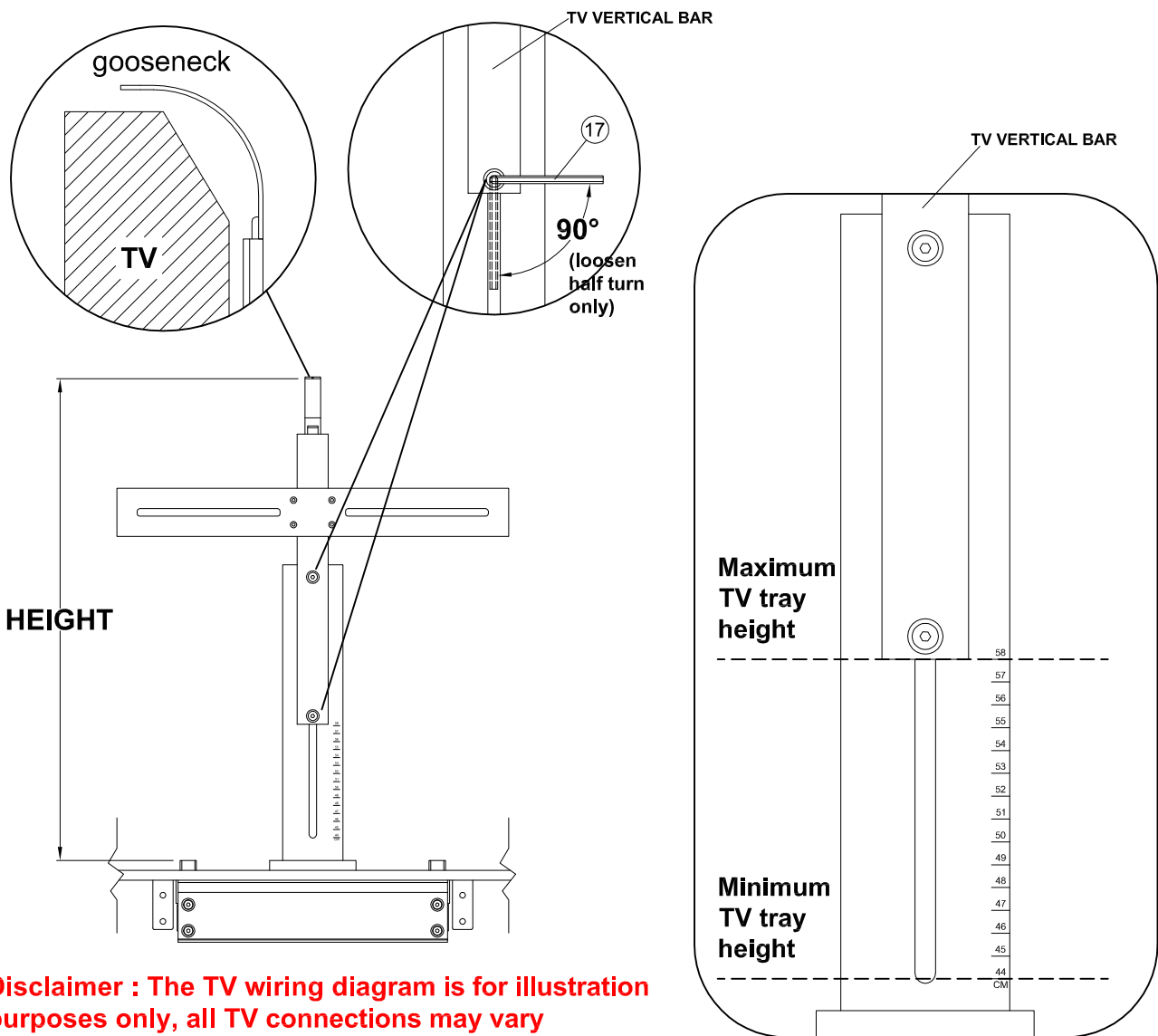
All the cables **MUST** be carefully pulled and fully extended.

Group the cables **MUST** be carefully pulled and fully extended.
Group the cables together as required below the TV Tray using cable tie (14) provided.

Step 11

- Adjust the TV tray to suit the height of your TV (without stand). Please follow step below
 - 11.1 : Make a note of the height (without stand!) of your television.
 - 11.2 : Use the Allen key (17) to slightly loosen the bolts-half turn only, do not remove all. (Please refer diagram below)
 - 11.3 : Slide "UP/ Down the TV vertical bar to using the measure line to match the noted height of your TV, then fully tighten the bolts.
 - 11.4 : When the TV is mounted it should sit neatly just underneath the Gooseneck.

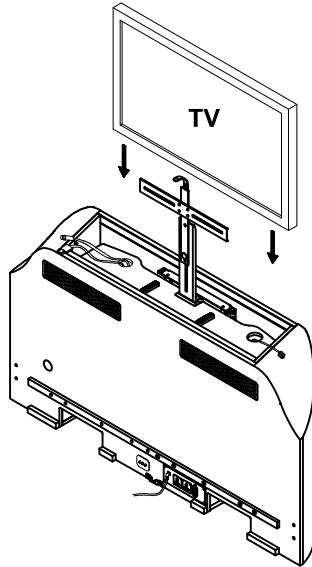
Note: The minimum height of the TV Tray is 440mm which accommodates any of the smaller TV heights (without stand) below 440mm.



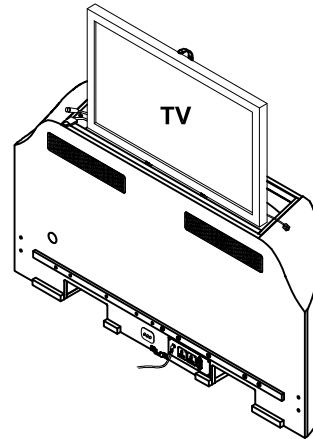
Disclaimer : The TV wiring diagram is for illustration purposes only, all TV connections may vary depending on the make and model of the TV used.

Step 12

- You are now ready to install your TV.
- Raise the mechanism to it's highest position.
- While standing behind your television (on the outside end of the footboard).
- Carefully place the TV on top of the two rubber TV mounting pedestals - ensuring the Gooseneck arm is perfectly inline with the horizontal 'centre' of the TV.



Disclaimer : The TV wiring diagram is for illustration purposes only, all TV connections may vary depending on the make and model of the TV used.

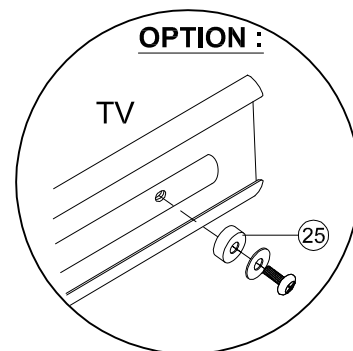
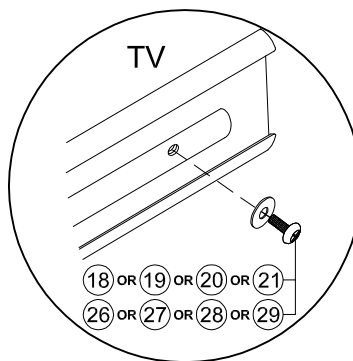
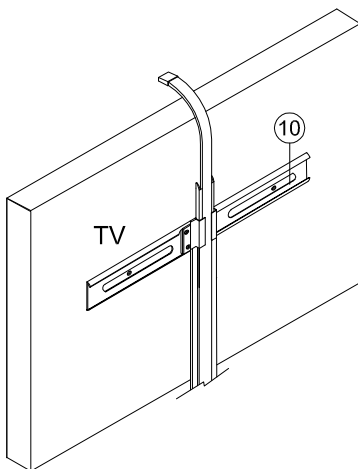


Step 13

- TV Flat Bracket (vesa bracket).

Please note : Item (18-21) or (26-29) screws have been supplied to fit most TV models. However sizes may vary depending on the TV model. If smaller or larger size screws are required these should be source from your local hardware store or TV specialist. Washers may also be required. Your retailer may also supply alternative fixings depending on the TV model supplied at the time.

Disclaimer : The TV wiring diagram is for illustration purposes only, all TV connections may vary depending on the make and model of the TV used.



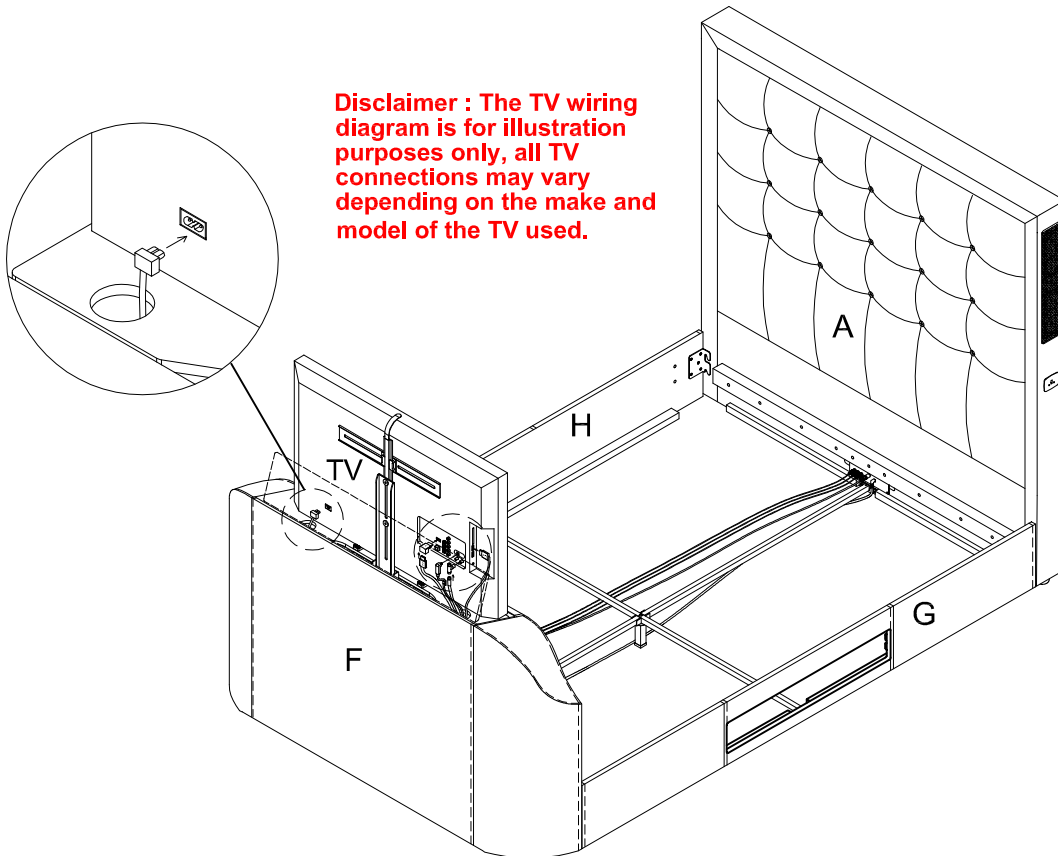
BOLT 18 19 20 21
 BOLT 26 27 28 29
 WITH
 WASHER 22 22 23 24

In the event you find the screws are too long for the TV with bracket please use Plastic collar (25) if required.

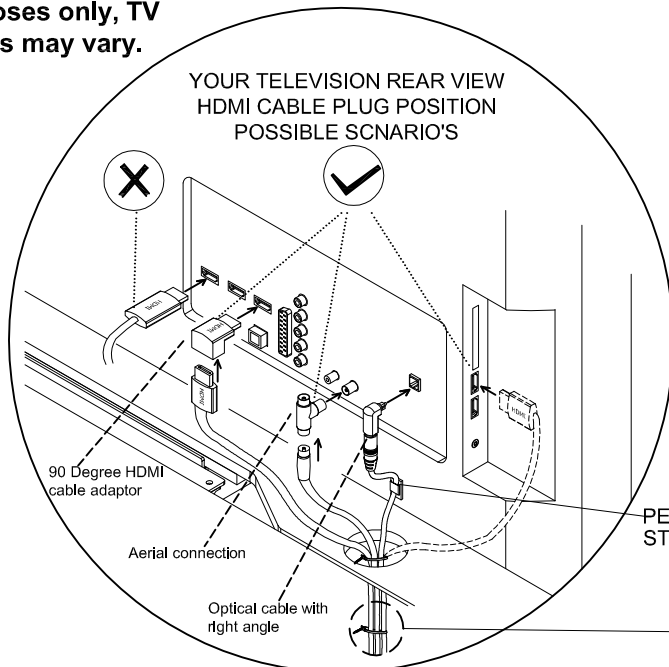
Step 14

- Install all the cable connection to the TV.

Disclaimer : The TV wiring diagram is for illustration purposes only, all TV connections may vary depending on the make and model of the TV used.



Note: For illustration purposes only, TV cables may vary.



Attention Please Note : Connecting Your HDMI or Aerial Cable as shown in diagram (X) can seriously Damage Your TV sockets.

To reduce this possibility, we have supplied 90 degree adaptors for both HDMI and Aerial connections.



This will reduce the cable protrusion and lessen the possibility of the cable colliding with the bed frame. **These can be found in the bed frame hardware pack located in Box 2 (foot end).** Please refer to the above diagram for the correct fitting of cables. More detailed information can also be found on above diagram of your assembly instructions.

The manufacturer or retailer will not accept responsibility for any damages arising from incorrect installation.

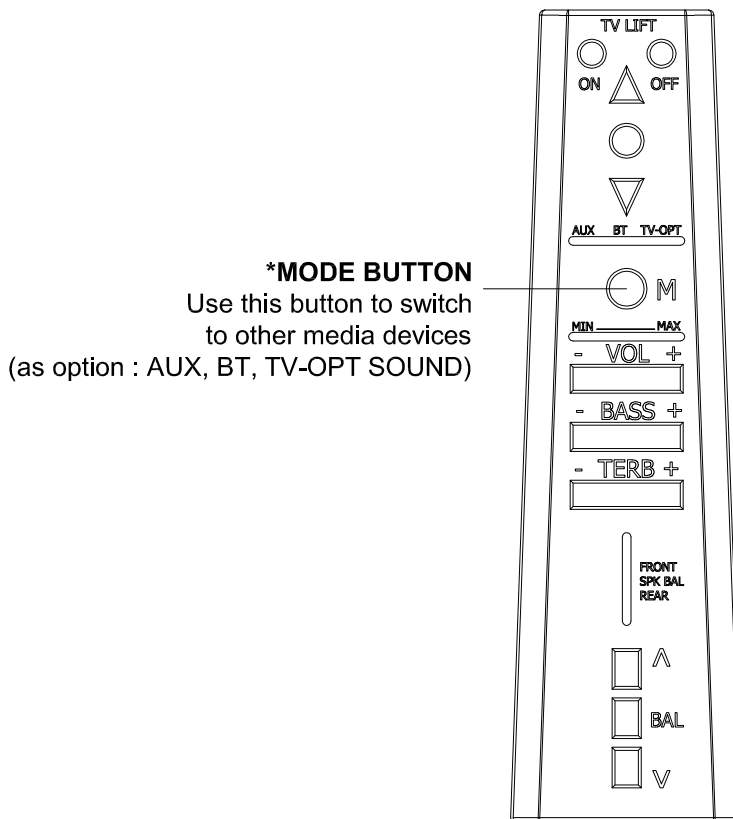
PEEL OFF THE DOUBLE SIDED TAPE & STICK THE CABLE CLIP TO THE TV



NOTE: The cable ports for televisions, DVD, TV aerial, Optical etc may not be the same as shown above and may vary depending on TV models.

Step 15

- Wireless remote control "**MODE BUTTON**" introduction.



Step 15-1 Playing audio files through AUX connection.

- Press the Mode Button on wireless remote control to select AUX function (Audio select).
- Using the JACK AUX Cable (X) plug directly into any audio device that has a headphone socket and plug the opposite end into side of head-end (A) to deliver wired audio, in the event you have chosen not to connect wirelessly via Bluetooth.
- Please use volume, base and treble buttons on you wireless remote control to select your preferred acoustic sound level.

Step 15-2 Playing audio files through BLUETOOTH connection.

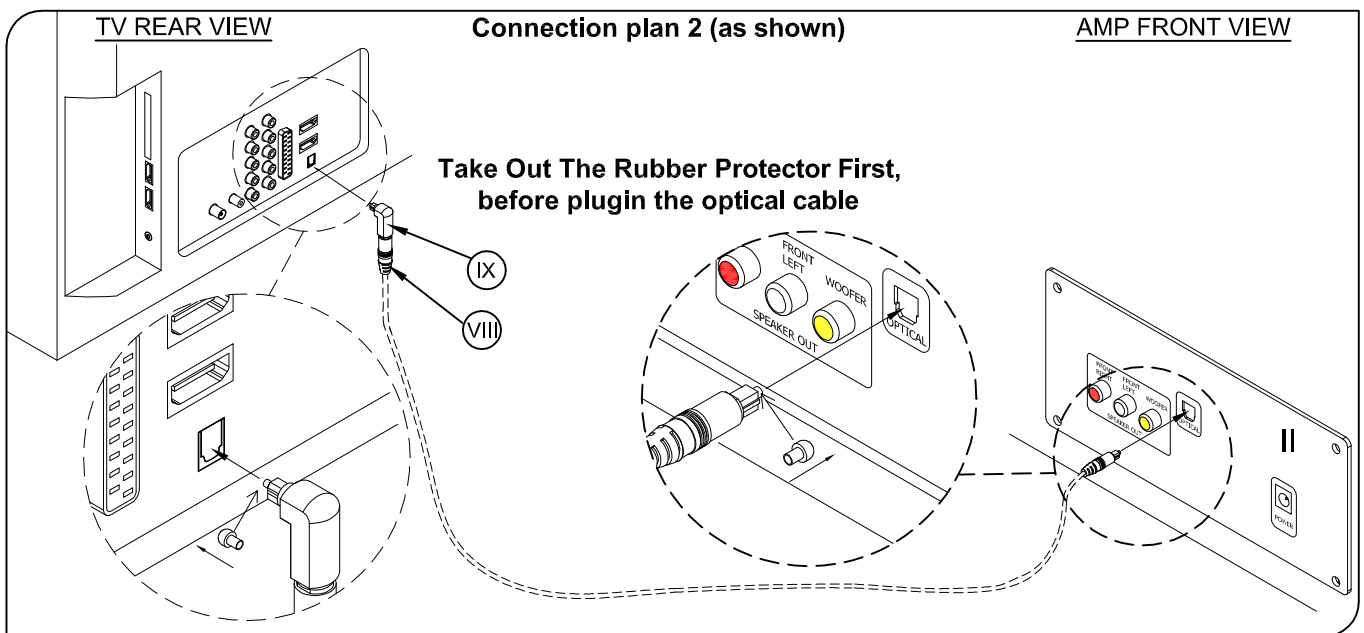
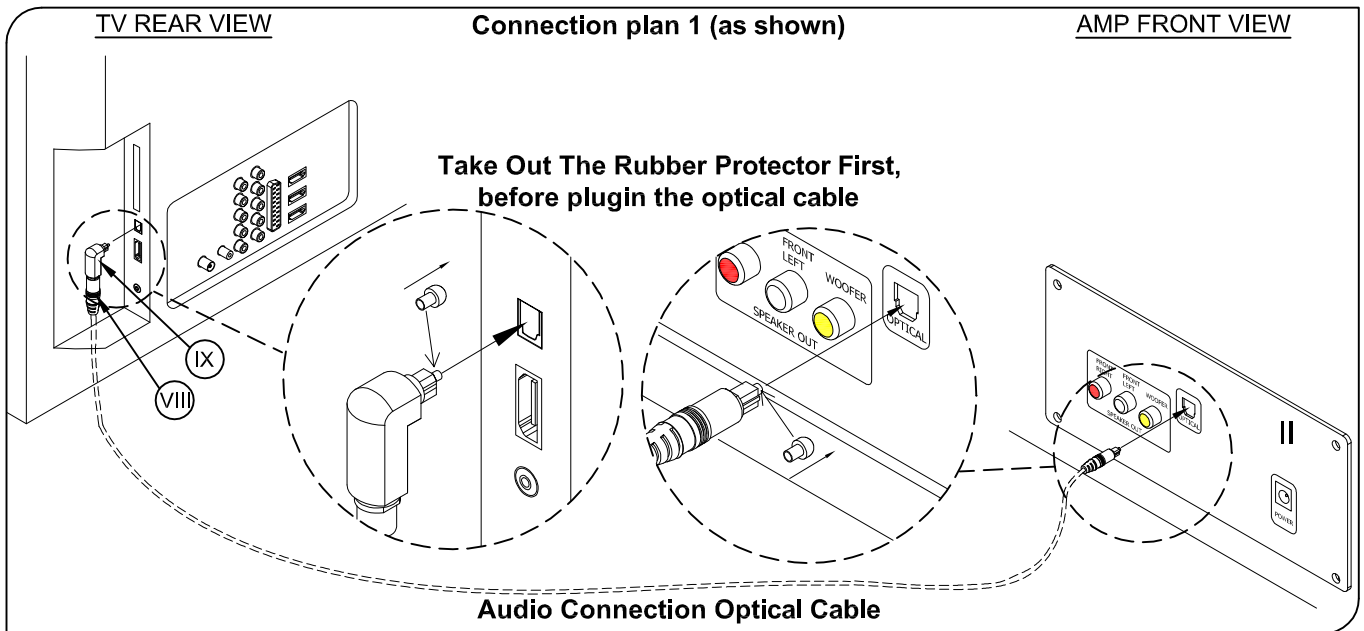
- Press the Mode Button on wireless remote control until BT is highlighted on the wireless remote indicator.
- Once you have prepared your device to search for a bluetooth (wireless) device - your device will show up as "**BSSB 4.1**". Select (PAIR/ CONNECT) with BLUETOOTH. Once your device has successfully connected to your audio system, you can hear the audio notification bleep - this confirms the Bluetooth is enabled and ready to use.
- Please ensure you device volume is turned up at least half way and the B/T function is selected.
- You can simply use your devices music player to play the sound - **ENJOY**.
- Please use volume, base and treble buttons on you wireless remote control to select your preferred acoustic sound level.

Bluetooth Connection Notification: The bluetooth is only able to connect/ pair with one device at a time. In the event you wish to connect/ pair an alternative/ additional Bluetooth compatible device, please firstly disconnect the bluetooth connection between your current device and the audio system. Then again repeat the above steps.

In scenarios where BT connection repeatedly fails, power Off/On the speaker system and turn BT Off/On on other device. Try again.

Step 15-3 Playing audio files through TV-OPT SOUND connection.

- Connecting your TV to the TV bed speaker system.

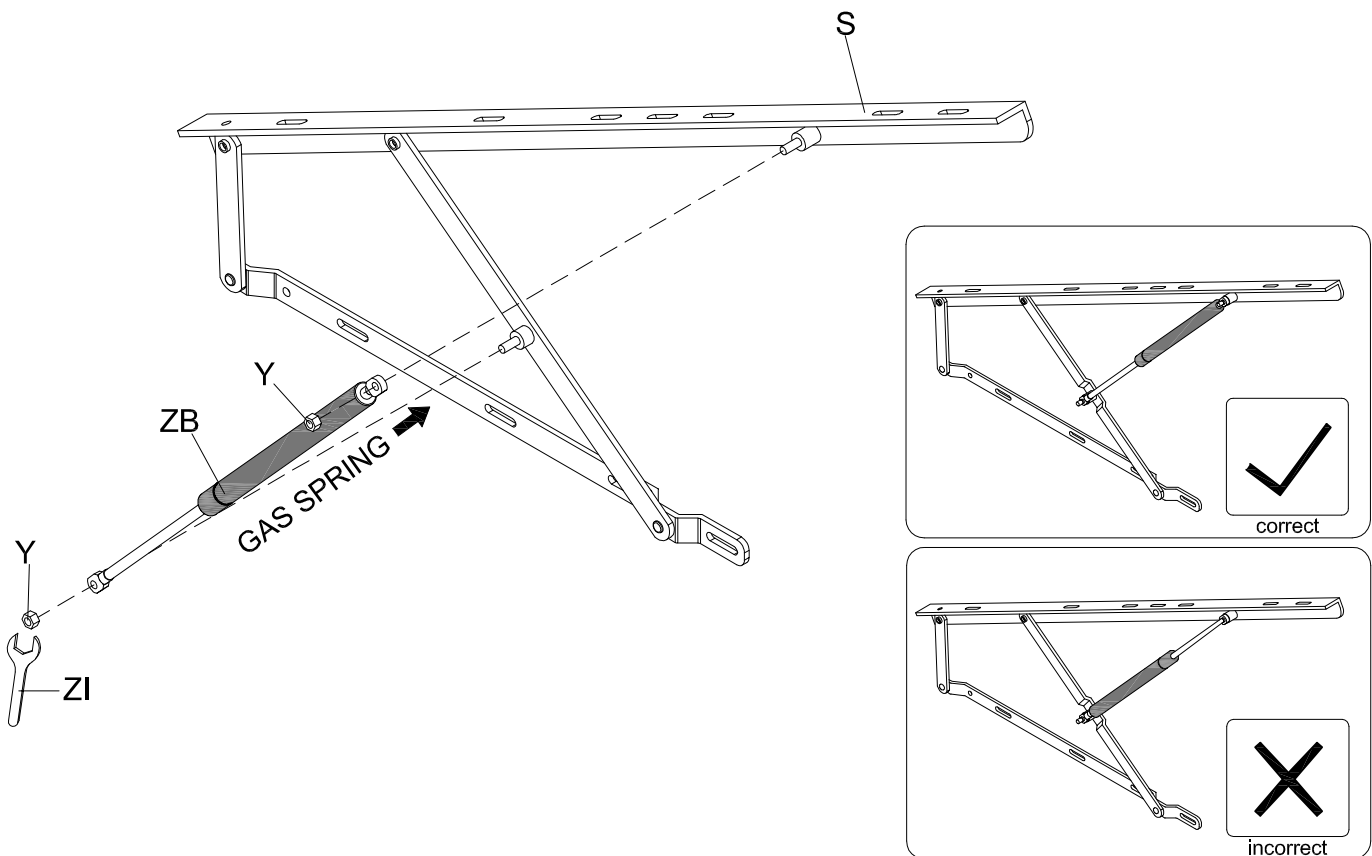
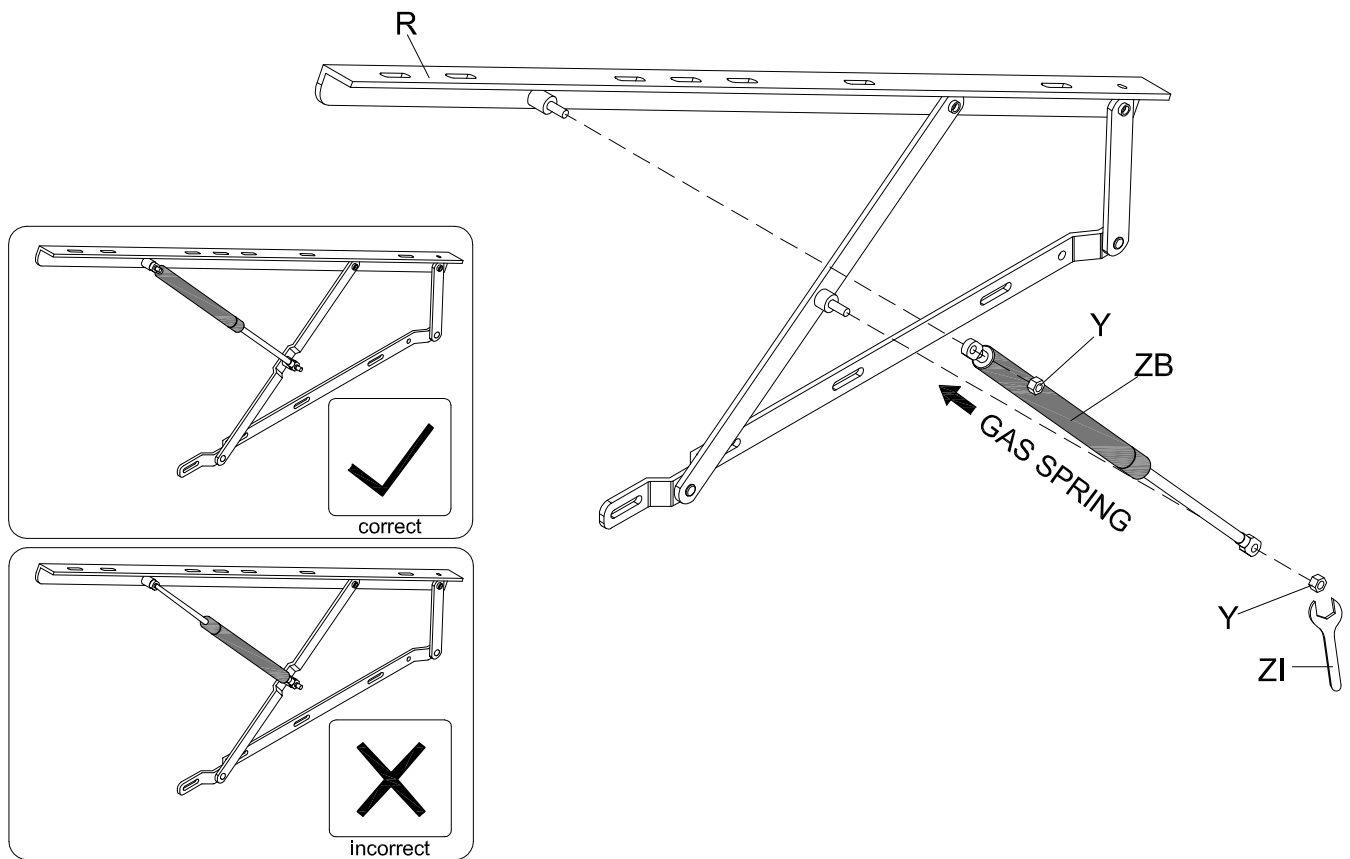


- Your TV bed system is now ready to play audio from you television.
- Press the Mode Button on wireless remote control to select TV-OPT SOUND function.
- Turn the TV "ON" (ensure it is playing an audio/ video "broadcast")
- You should now be able to hear the sound from the TV, speaker and woofer.
- Please use volume, base and treble buttons on you wireless remote control to select your preferred acoustic sound level.

Disclaimer : The TV wiring diagram is for illustration purposes only, all TV connections may vary depending on the make and model of the TV used.

Step 16

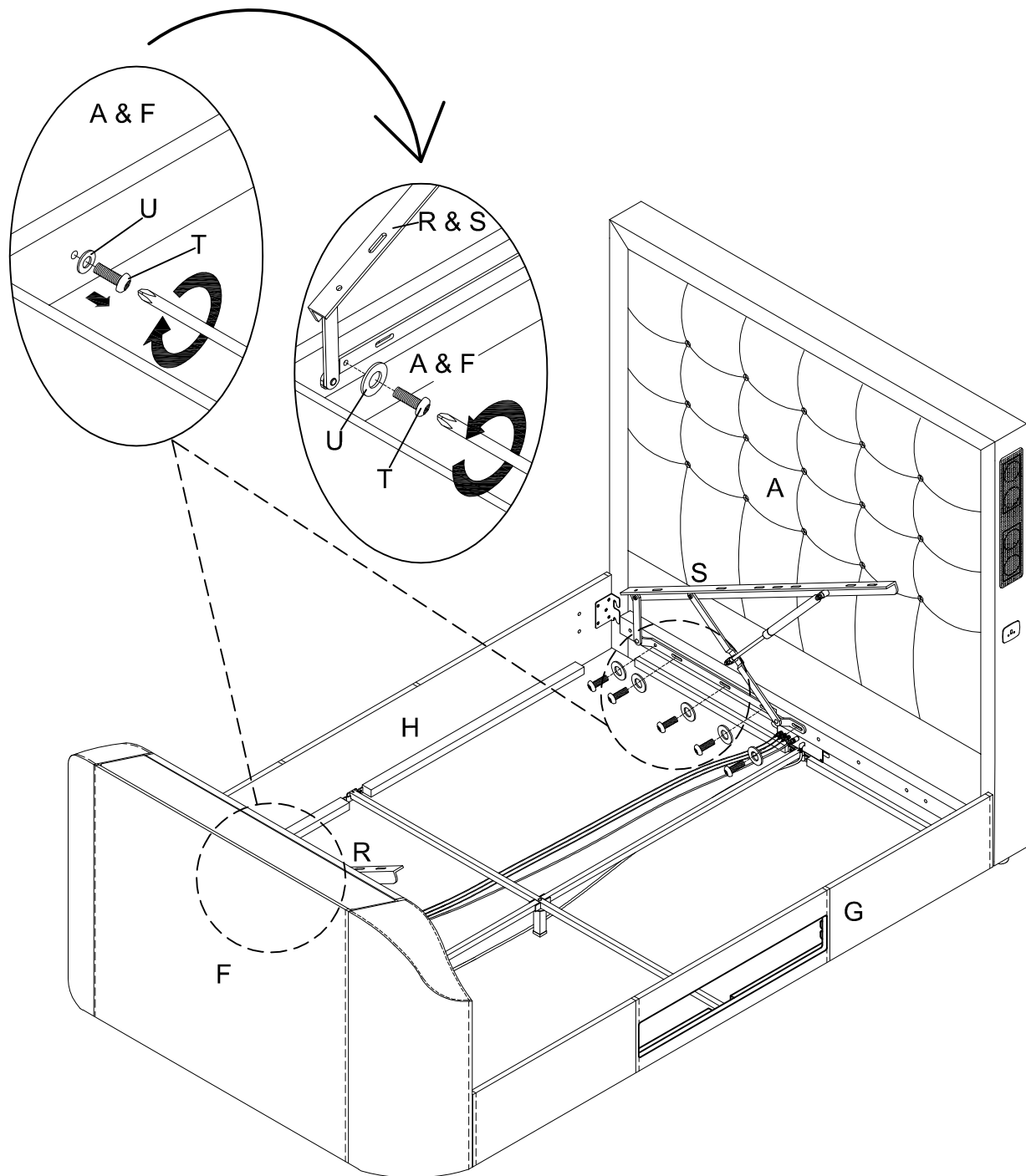
- Attach the gas springs 'ZB' to the lift up mechanism with nut 'Y' using spanner 'ZI' as shown.



Fully tighten all nuts after attaching the pistons.

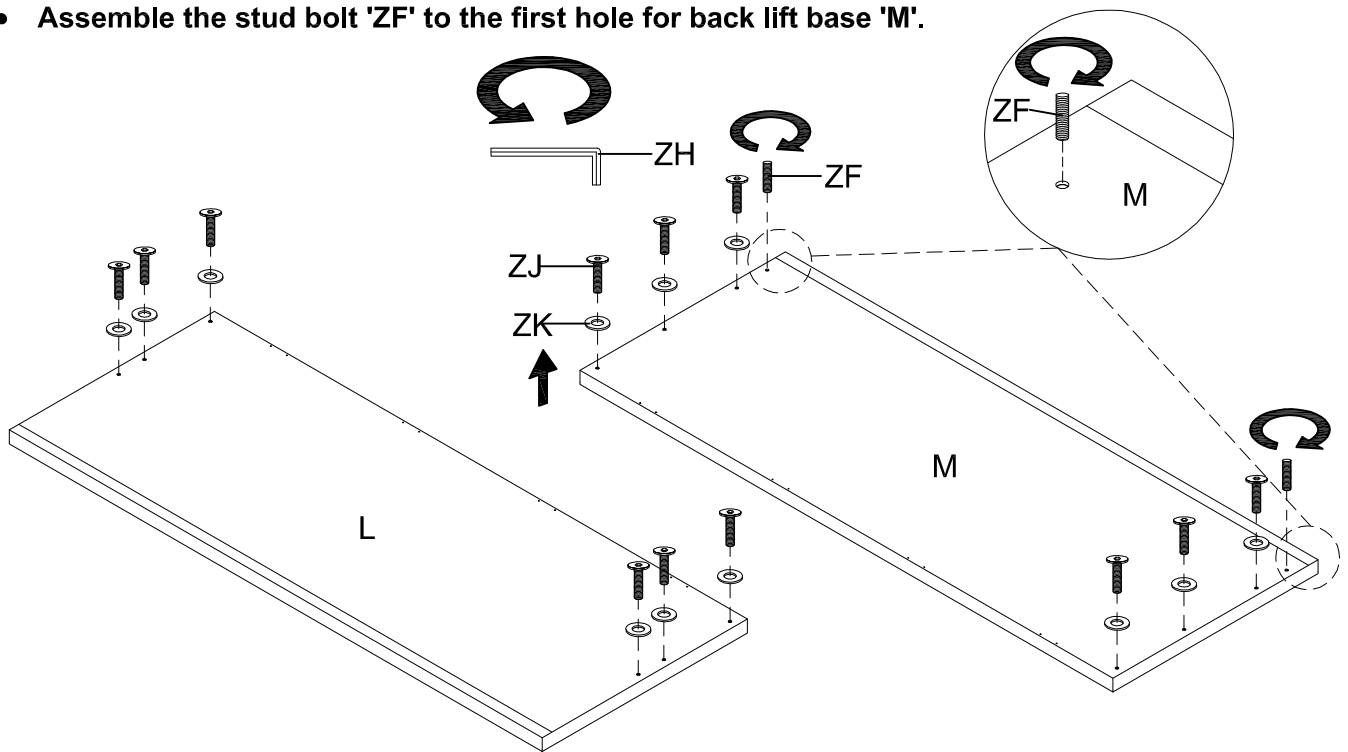
Step 17

- Before assembly please make sure the opening side is face on Compartment " Part G' side rail.
- Remove the bolts and flat washers located in the head end and foot end.
- Attach the lift up mechanism to the head end and foot end with flat washers and bolts using screw driver provided.
- Repeat the action on the another side.



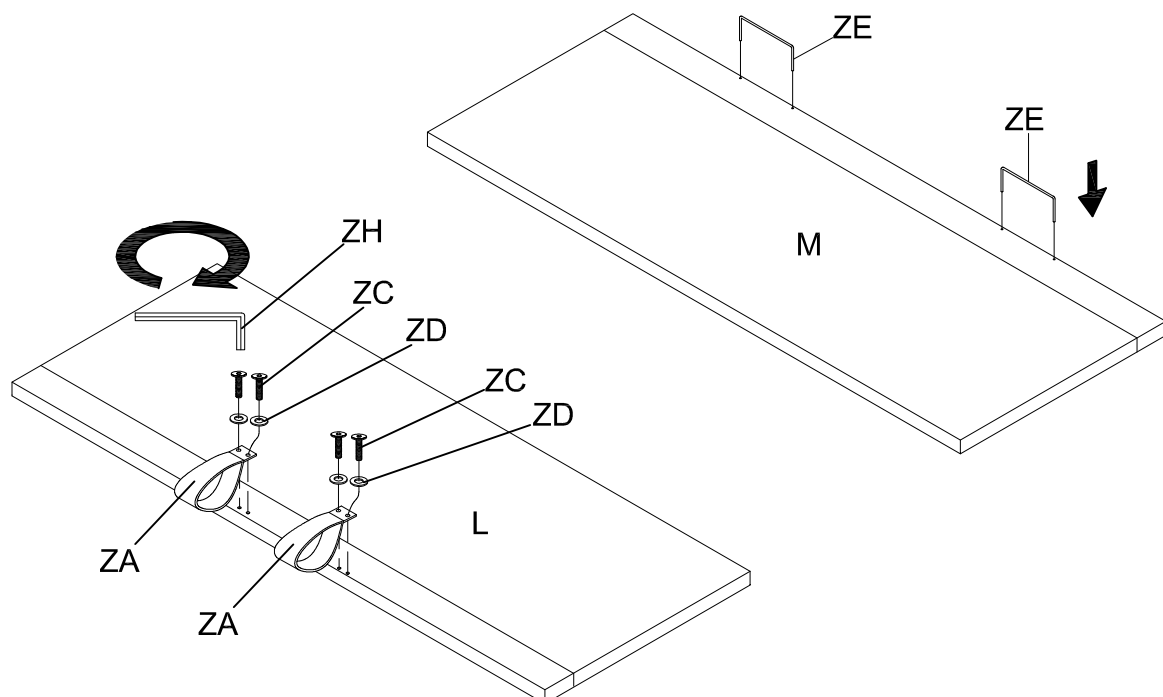
Step 18

- Remove the bolts and flat washers located in the front lift base 'L' and back lift base 'M' as shown.
- Assemble the stud bolt 'ZF' to the first hole for back lift base 'M'.



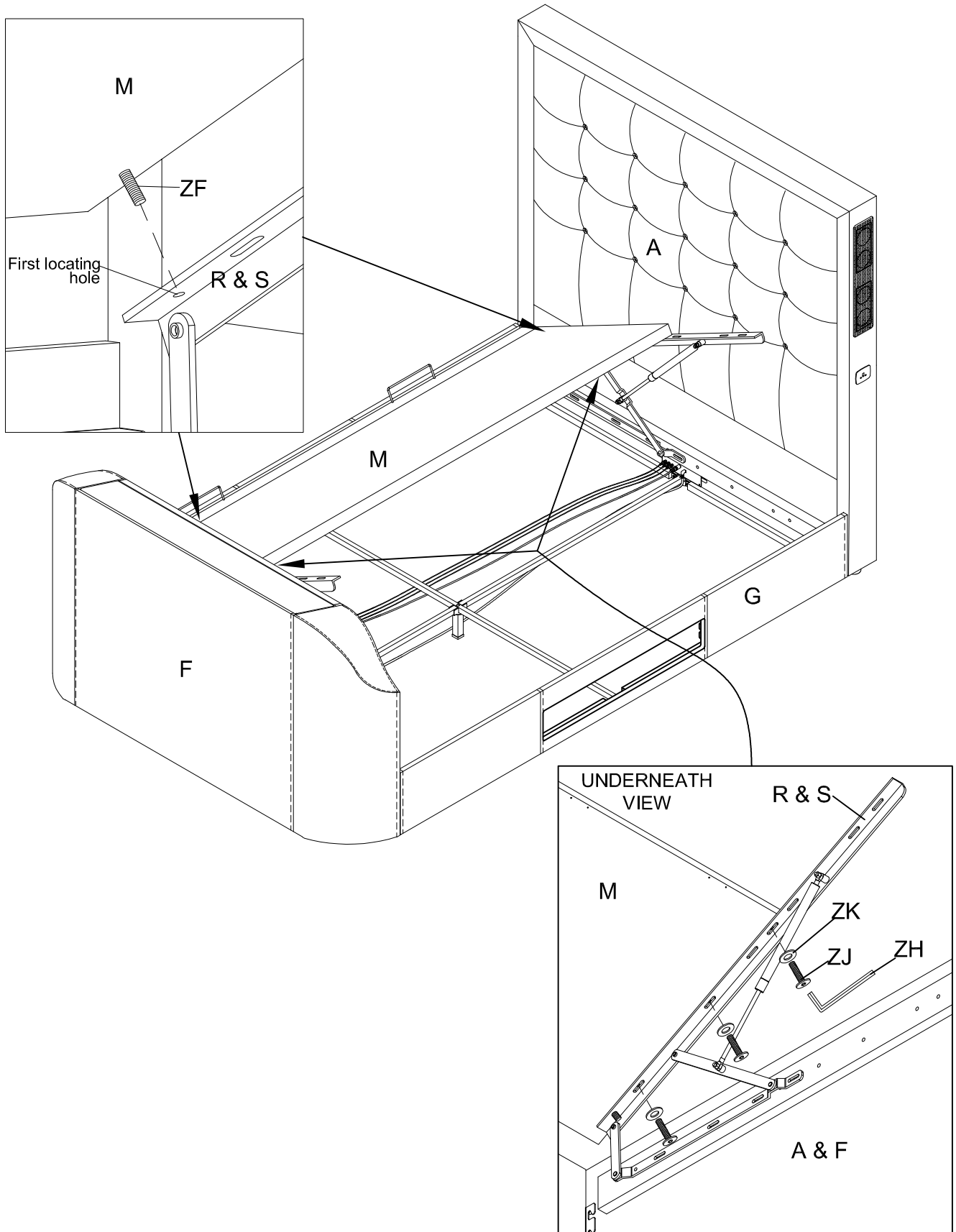
Step 19

- Attach the strap handle 'ZA' to the front lift base 'L' with flat washers 'ZD' and bolts 'ZC' using Allen key 'ZH' provided.
- Attach the mattress support rail 'ZE' to the back lift base 'M' as shown.



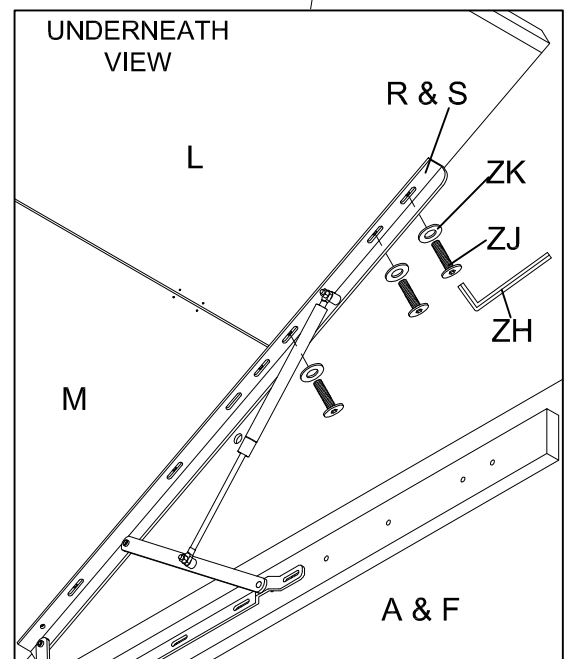
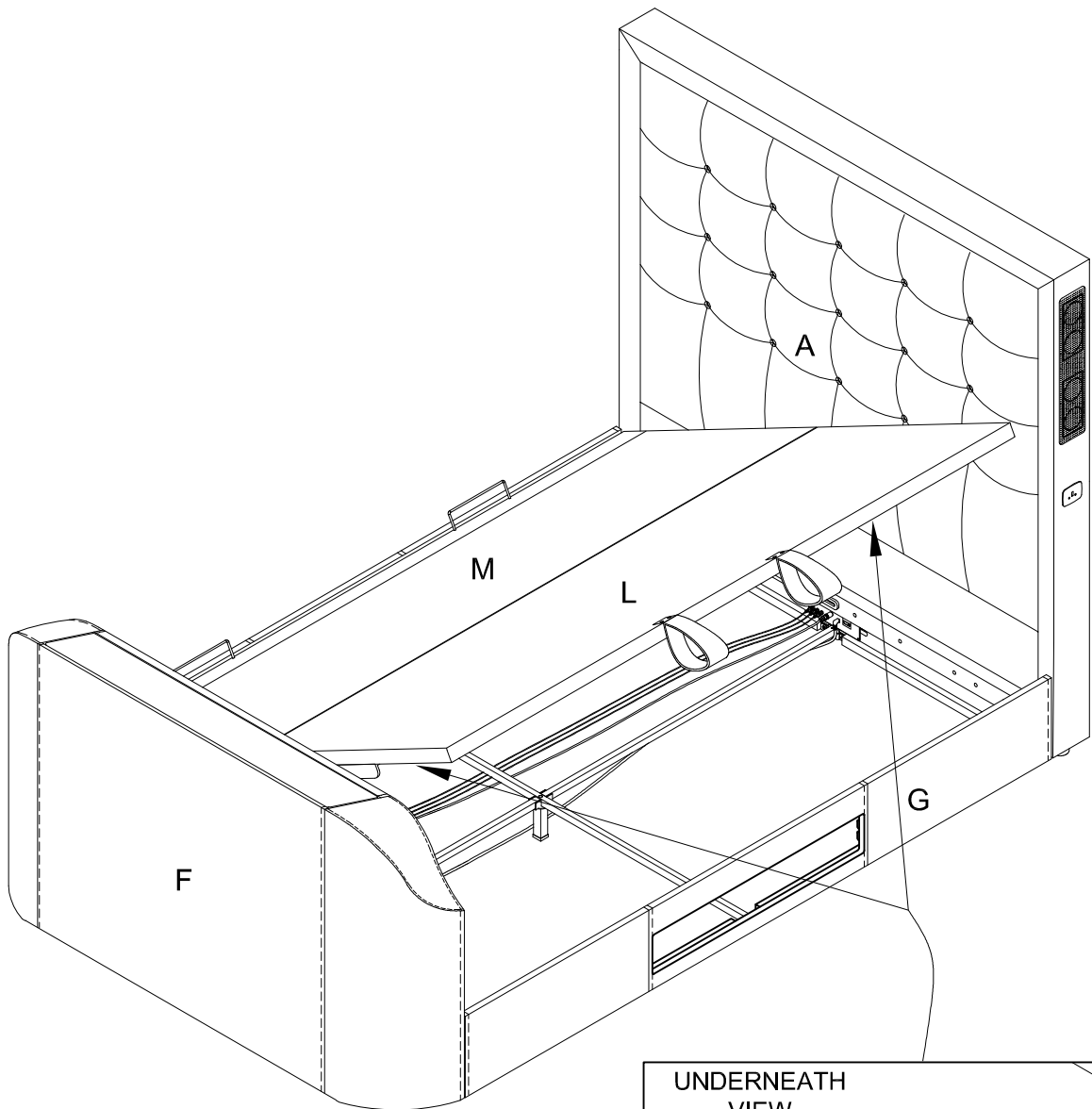
Step 20

- First put the back lift base 'M' on top of lift up mechanism 'R' and 'S' with the provided stud bolts (ZF) as per step 18 to the first hole for safety and to prevent the lift base from dropping down.
- Use the removed bolts and flat washers on step 18 to fix the back lift base 'M' with lift up mechanism 'R' and 'S' as shown.
- Use Allen key 'ZH' fully tighten all the bolts as shown.



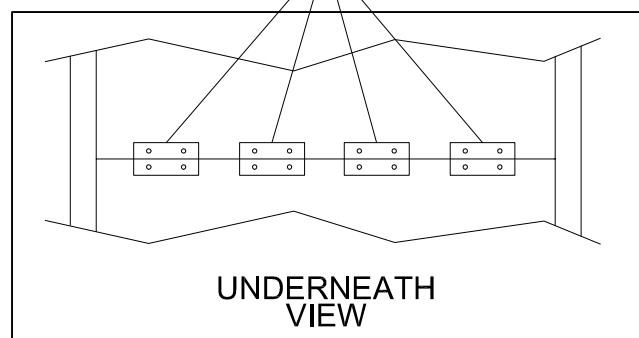
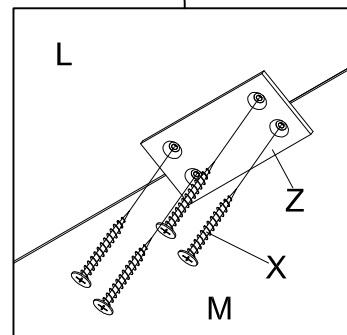
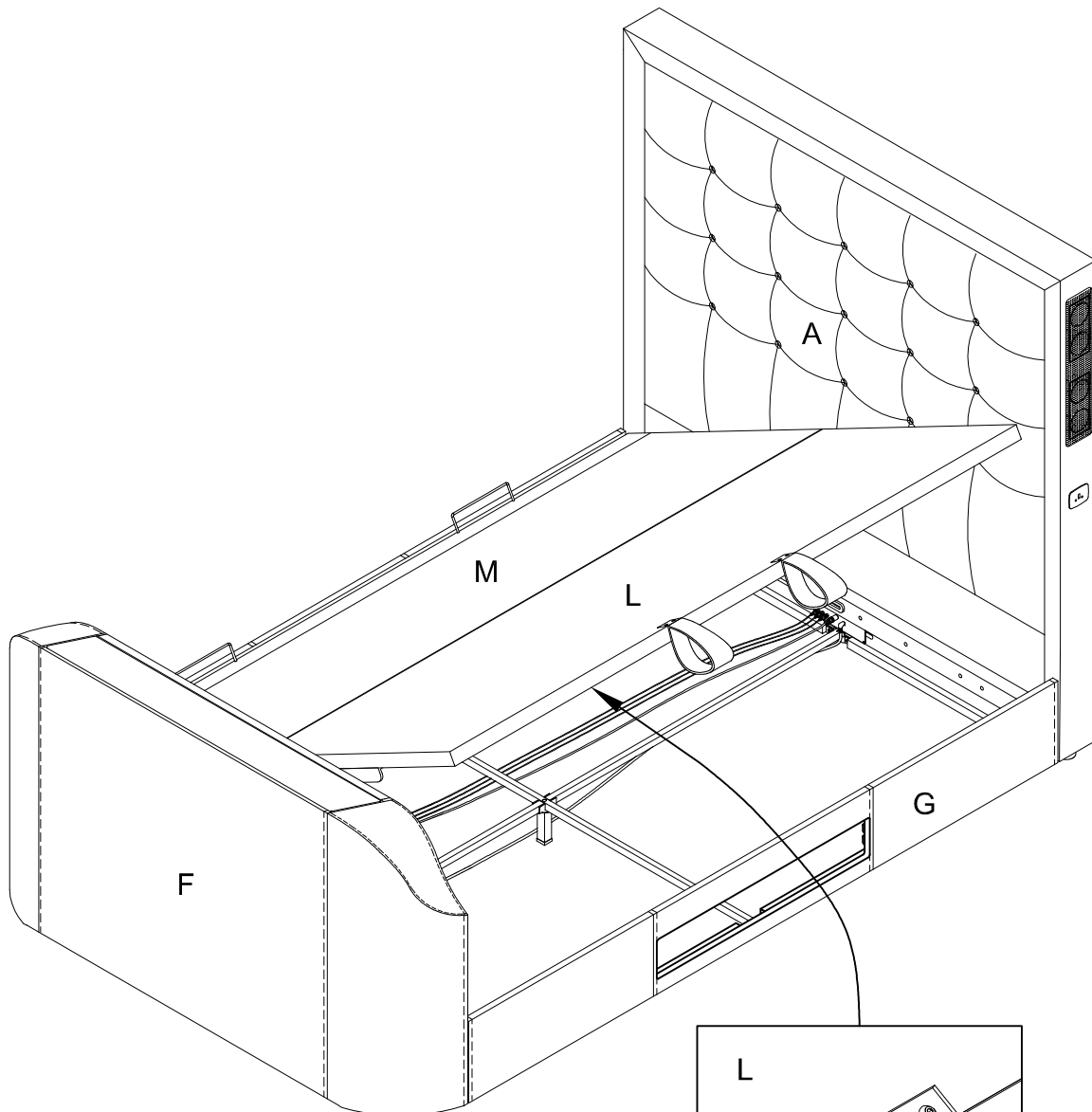
Step 21

- Put the front lift base 'L' on the top of lift up mechanism 'R' and 'S' then use the bolts and flat washers has removed on step 18 to fix the front lift base 'L' with lift up mechanism 'R' and 'S' as shown.
- Use Allen key 'ZH' fully tighten all the bolts as shown.



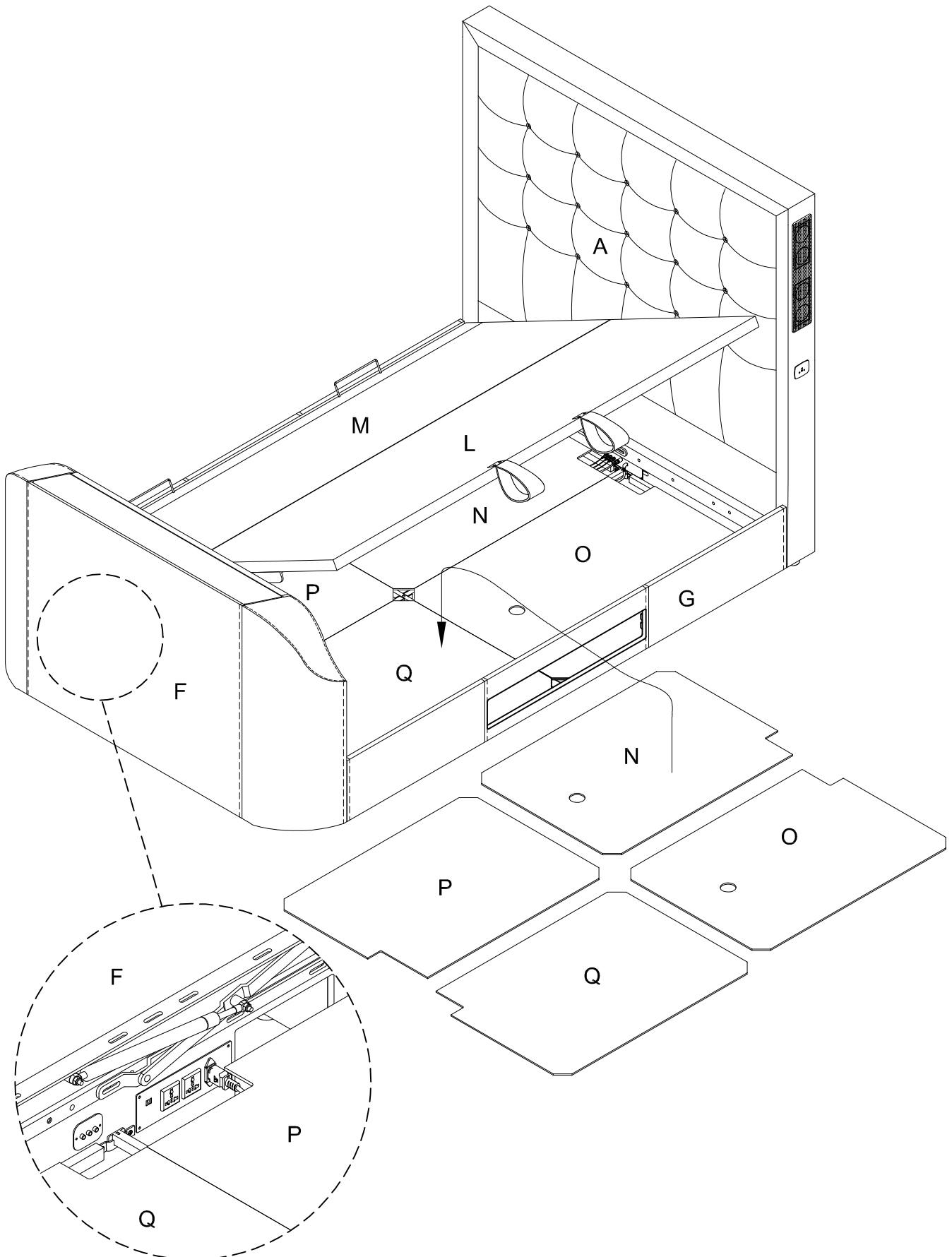
Step 22

- Attach the metal plate 'Z' to the underneath of lift base 'L' and 'M', fix with screw 'X' using screw driver 'ZG' provided as shown.



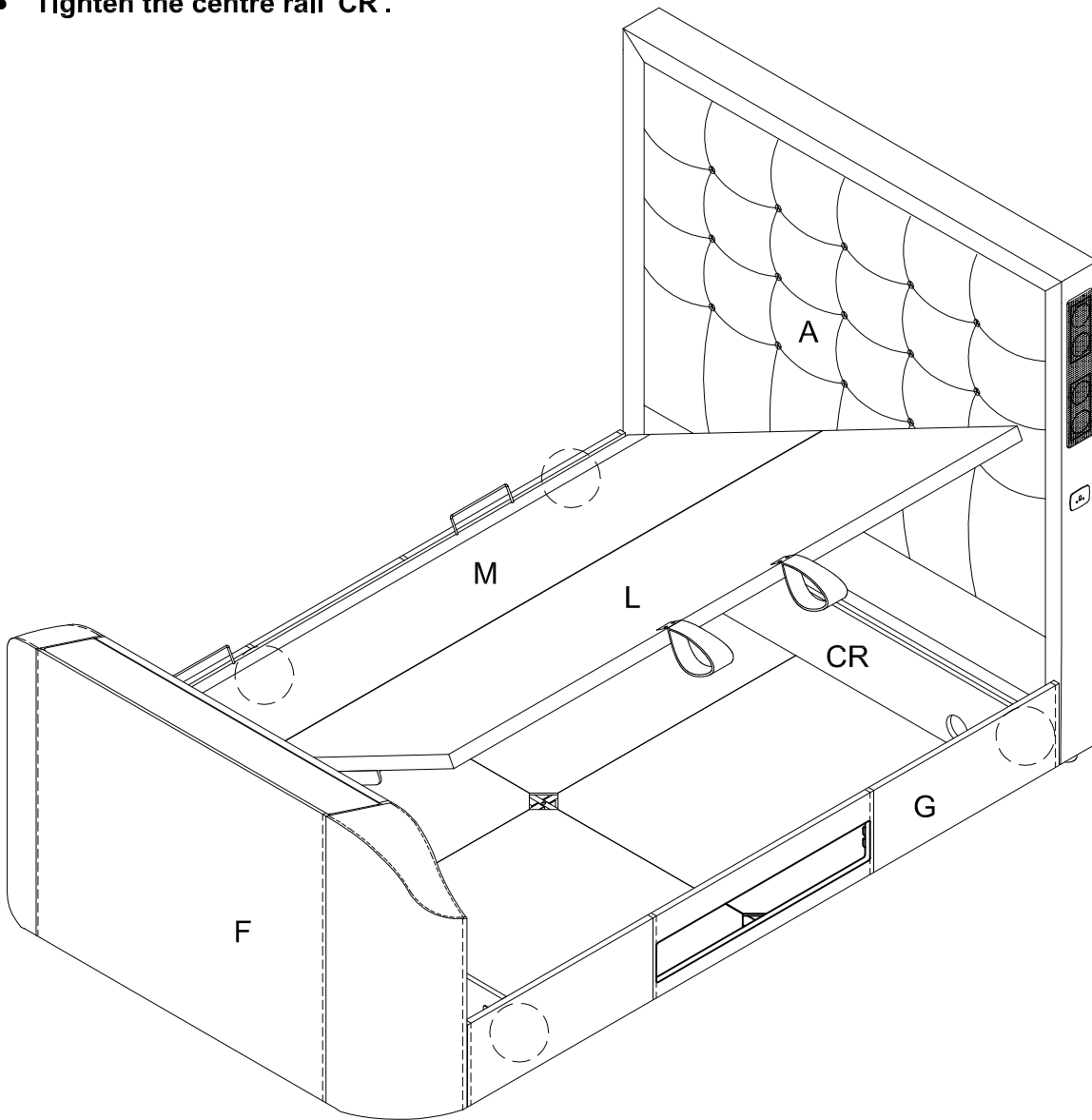
Step 23

- Put the base panel on the bottom cross bar as shown.
- Make sure to place the base panel 'P' at the foot end follow the diagram.
- Make sure all the power cable place under the base panel through the base panel corner space.

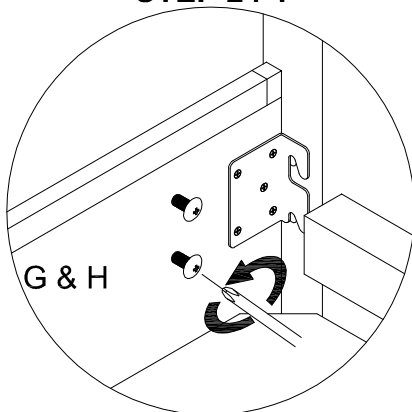


Step 24

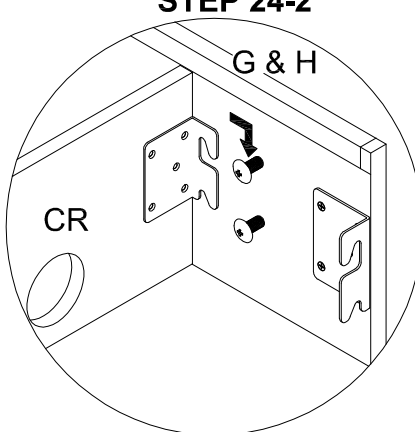
- Loosen the bolts attach to the side rail as shown. (Note: only loosen the bolts Do NOT remove them.)
- Hook the centre rail 'CR' over the bolts as shown.
- Repeat the action on the opposite side.
- Tighten the centre rail 'CR'.



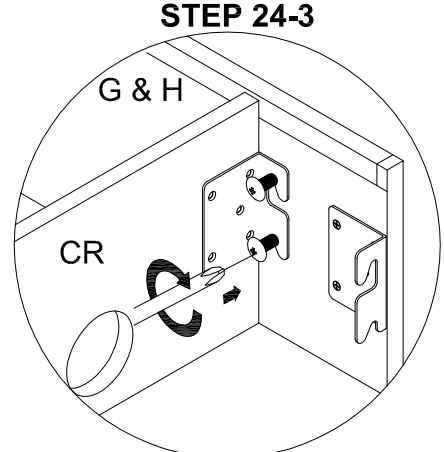
STEP 24-1



STEP 24-2

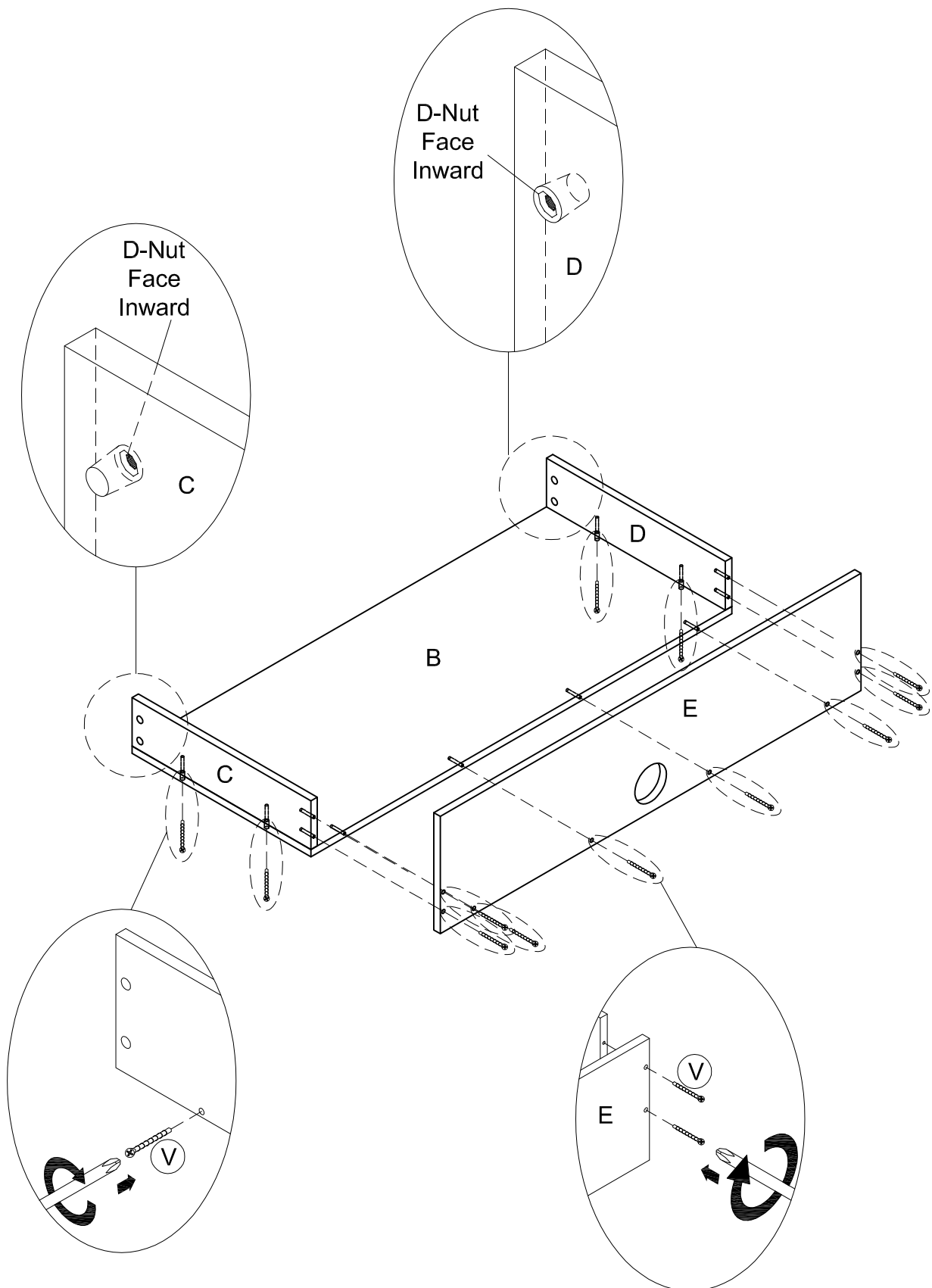


STEP 24-3



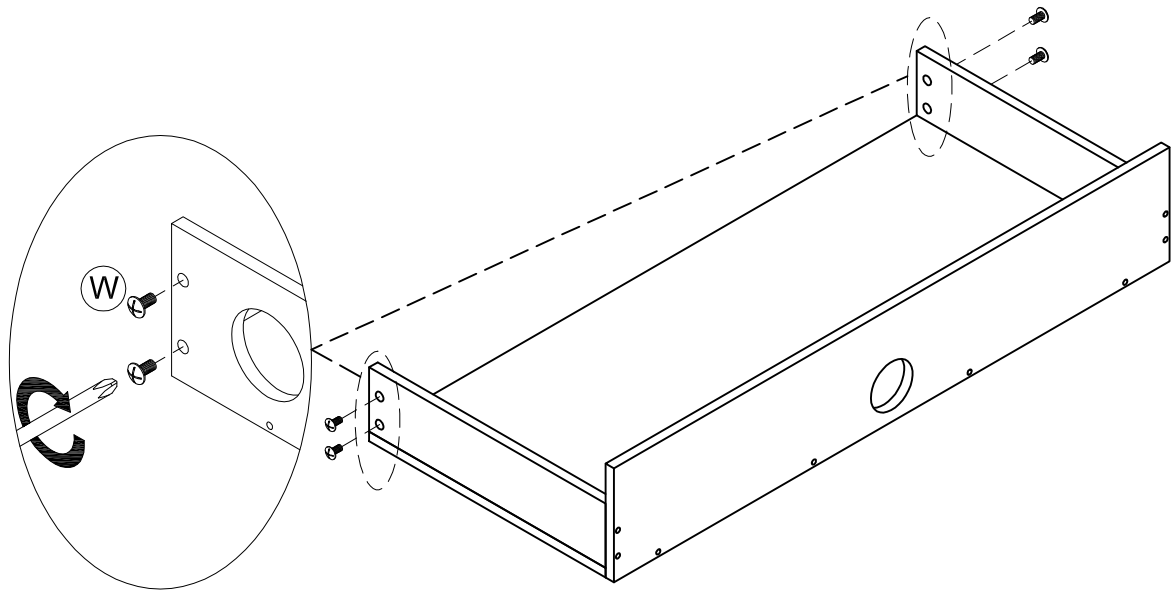
Step 25

- Attach "DVD / Media Compartment" rear, side and bottom panels to "DVD / Media Compartment" base panel as shown.



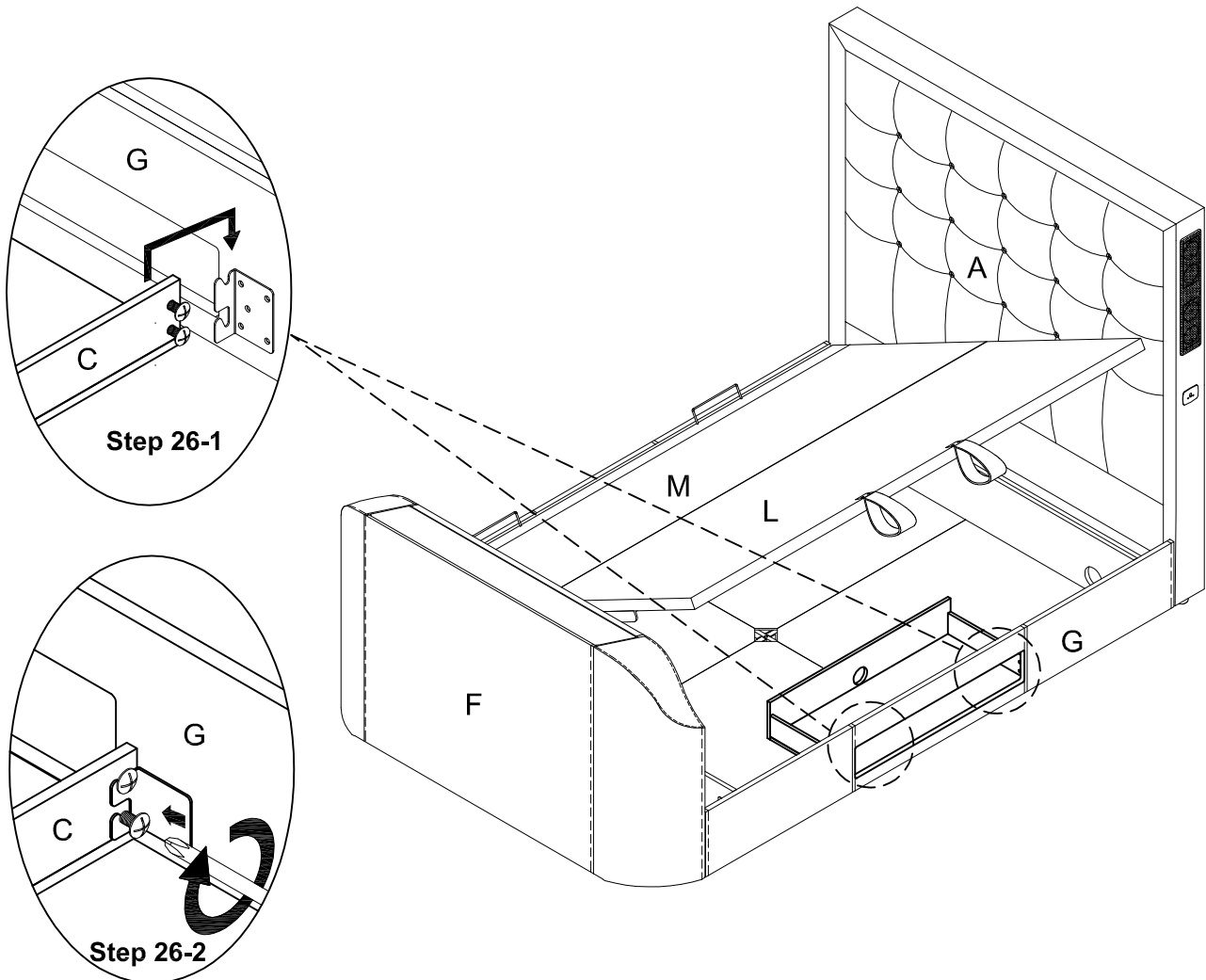
Step 26

- Attach the bolts to both side of "DVD / Media Compartment" side panels as shown.



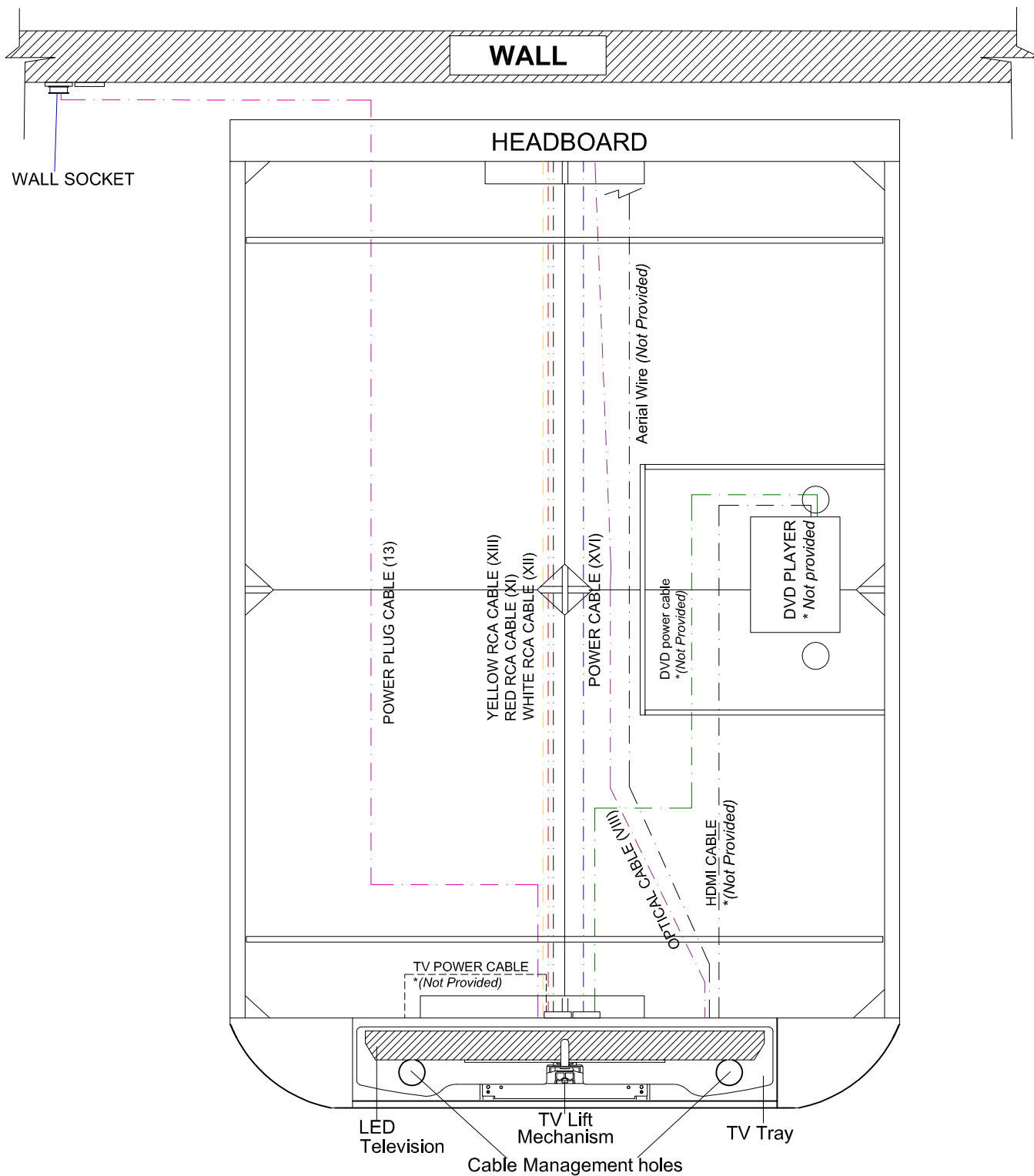
Step 27

- Attach the "DVD / Media Compartment" to the side rail as shown.
- Tighten all the bolts as shown.



Step 28

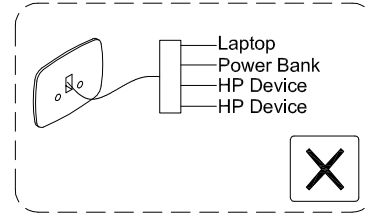
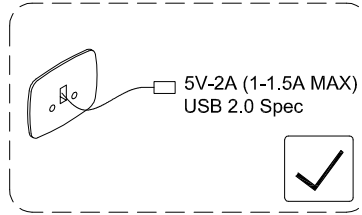
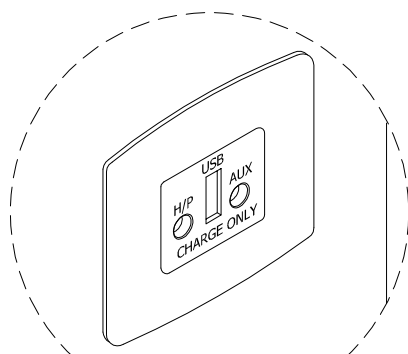
- Detail connection plan.



* The TV cable main supply can put either left or right side depends on the TV port location.

Step 29

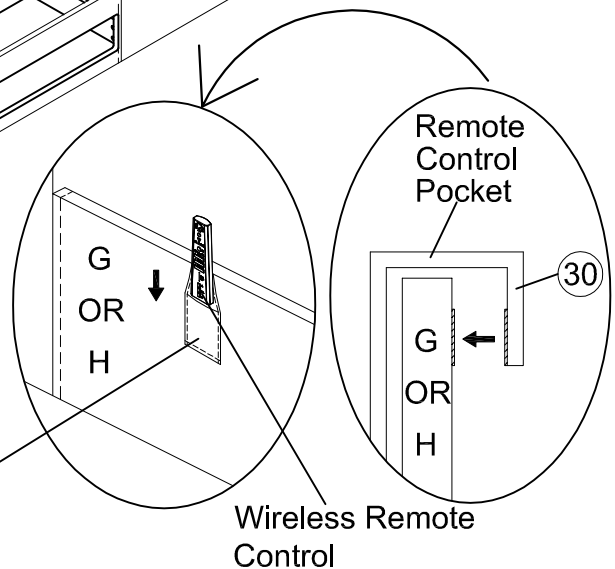
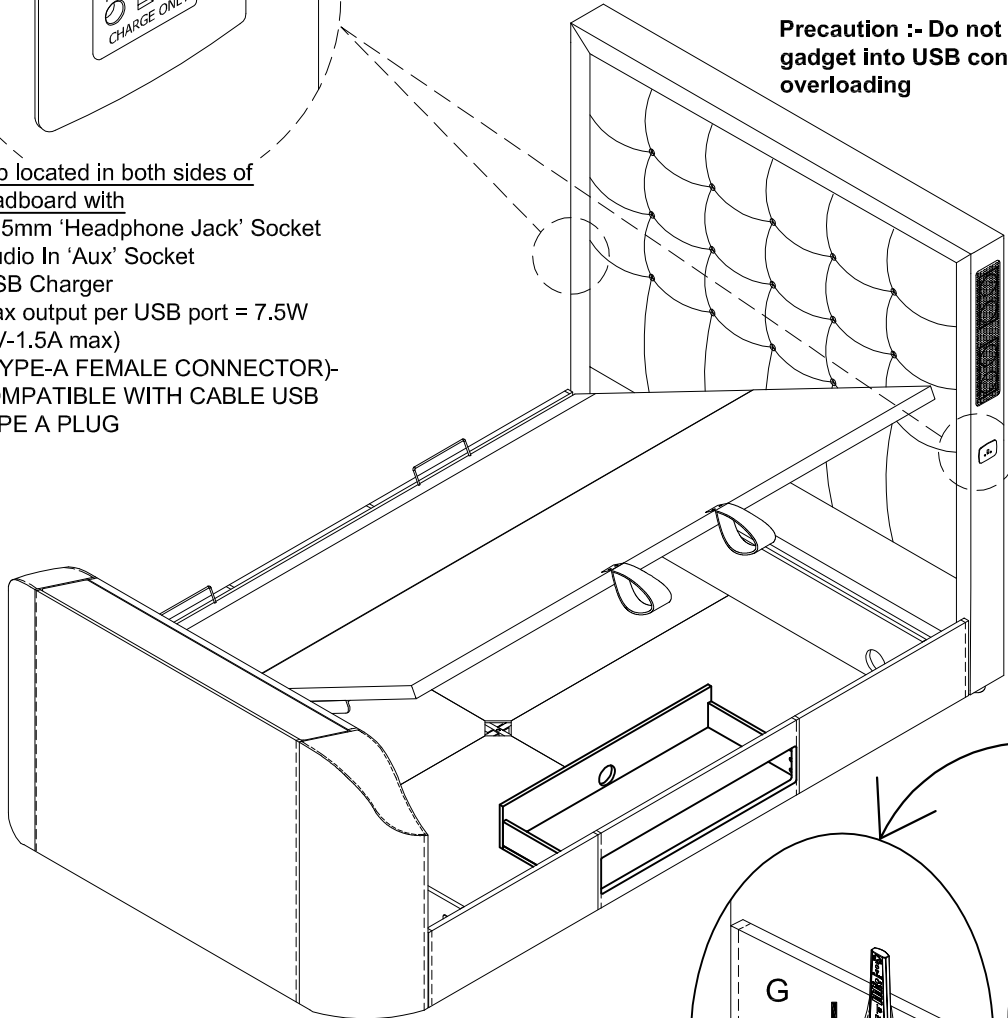
- Attach the Remote Control Pocket to the left or right sides of the side rail as preferred.



Precaution :- Do not insert more than one gadget into USB connector to prevent overloading

Hub located in both sides of headboard with

- 3.5mm 'Headphone Jack' Socket
- Audio In 'Aux' Socket
- USB Charger
- Max output per USB port = 7.5W (5V-1.5A max)
- *(TYPE-A FEMALE CONNECTOR)- COMPATIBLE WITH CABLE USB TYPE A PLUG



Remote Control Pocket

Wireless Remote Control

ATTENTION! PLEASE NOTE:

In the event you are experiencing any technical difficulties and you require additional assistance/ support with your product 'Mechanical/ Electrical' function - Please visit:

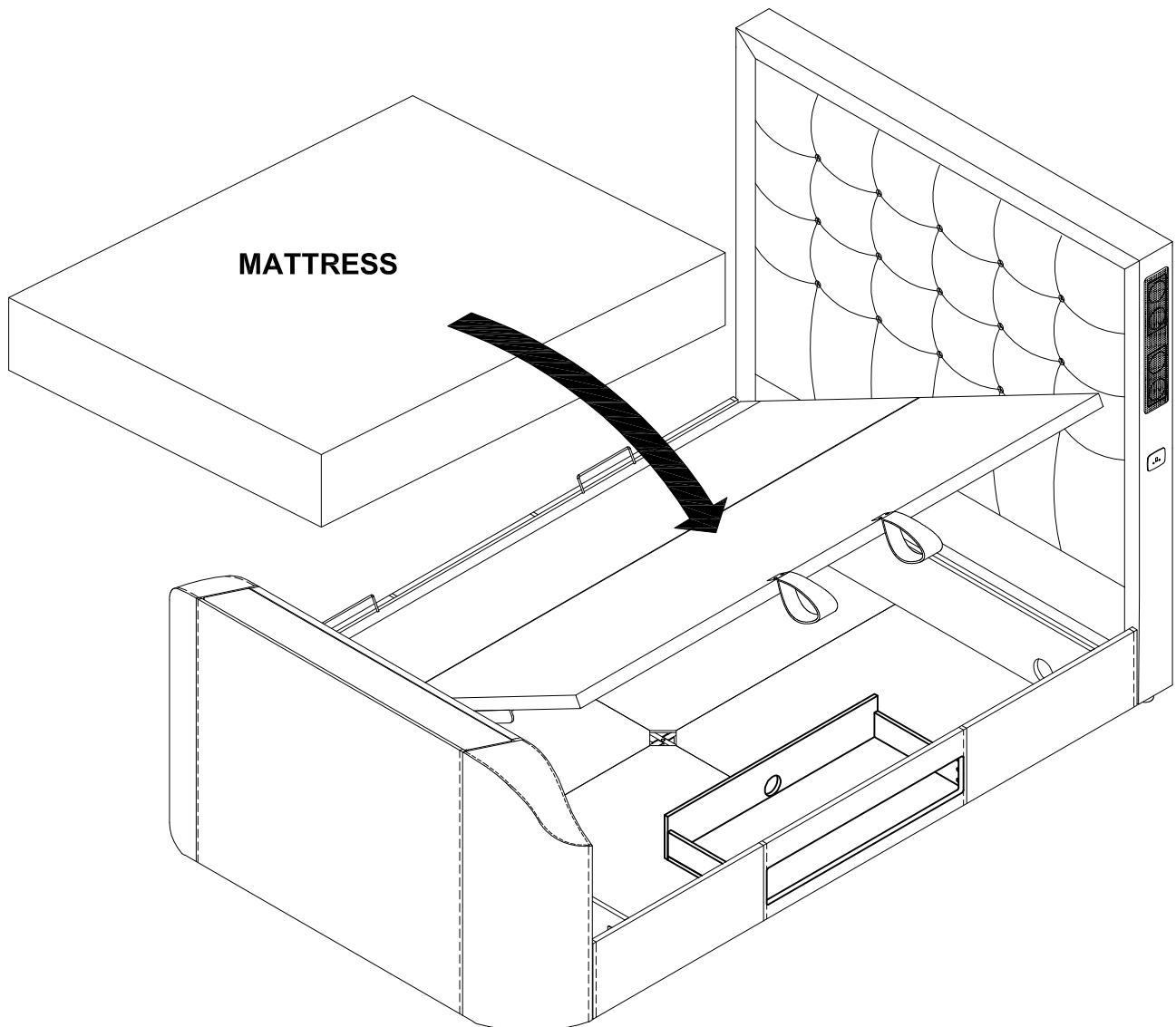
SUPPORT EMAIL: support@bssbfurnitureinnovation.com

UK PRODUCT SUPPORT HOTLINE : 01462600064

Contact your retailer for all other issues such as damage, missing or faulty components (non electrical) or anything else of a non technical/electrical nature.

Step 30

- Attach mattress before operate the lift base.



A. This Lift Mechanism provides assistance with the lift of the mattress fitted to the base - it does not lift the mattress for you. The system has been designed to effectively lift the base system fitted with a variety of mattress weights and combinations of depth. Depending on the combination of mattress weight and depth determines the degree of assistance provided by the mechanism.

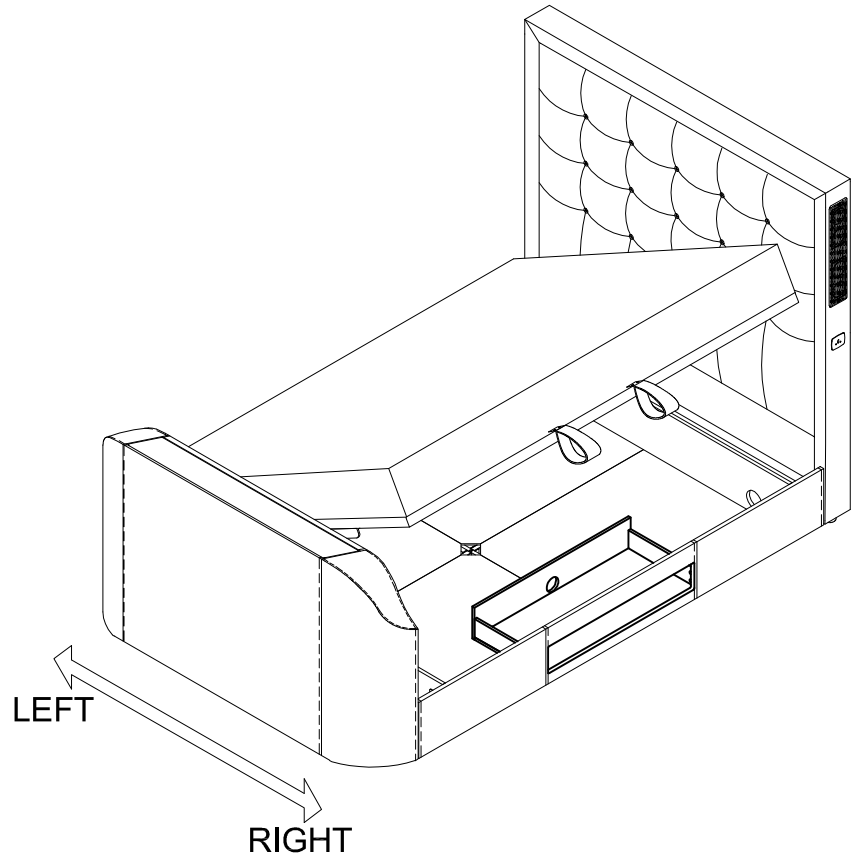
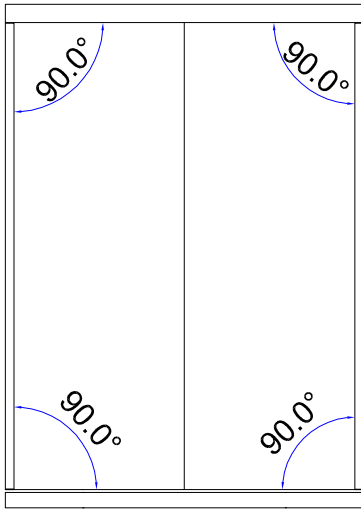
B. Following installation of the mechanism lift / pull the base up and down a few times to free off the system. The gas cylinders fitted to the system may be stiff when first used or if the system has not been operated for a period of time. The mattress must be fitted to the base.

C. Use the strap handle to lift up the mattress base using two hands - Pull the mattress base down using two hands equally spaced from the centre of the mattress base. **DO NOT** pull down on one side of the base only as this is likely to damage the base system with potential failure of the mattress base system and lift mechanism. **Do not operate the lift up mechanism without the mattress fitted to the base.**

CAUTION : Do not allow children to operate the lift Mechanism.
Do not allow children near the lift base when operating the Mechanism.
Do not allow children in the area of the internal storage base.
Keep hands clear of the mechanism when operating the base system.
Do not stand inside the bed / on the internal storage base.
Do not overload the internal storage base.

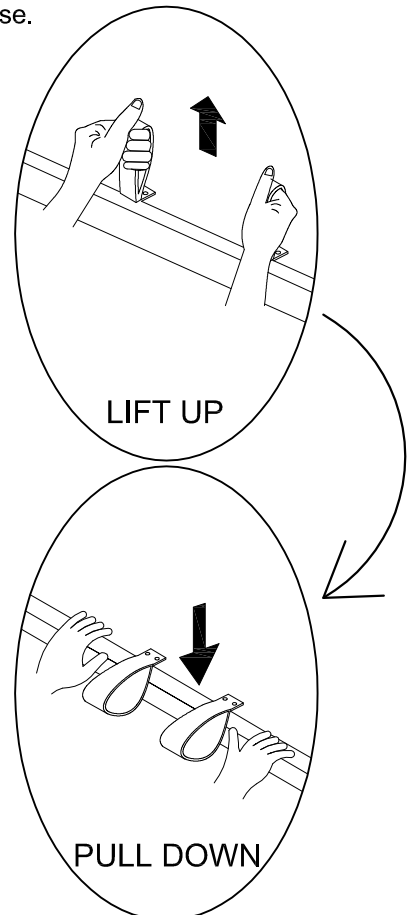
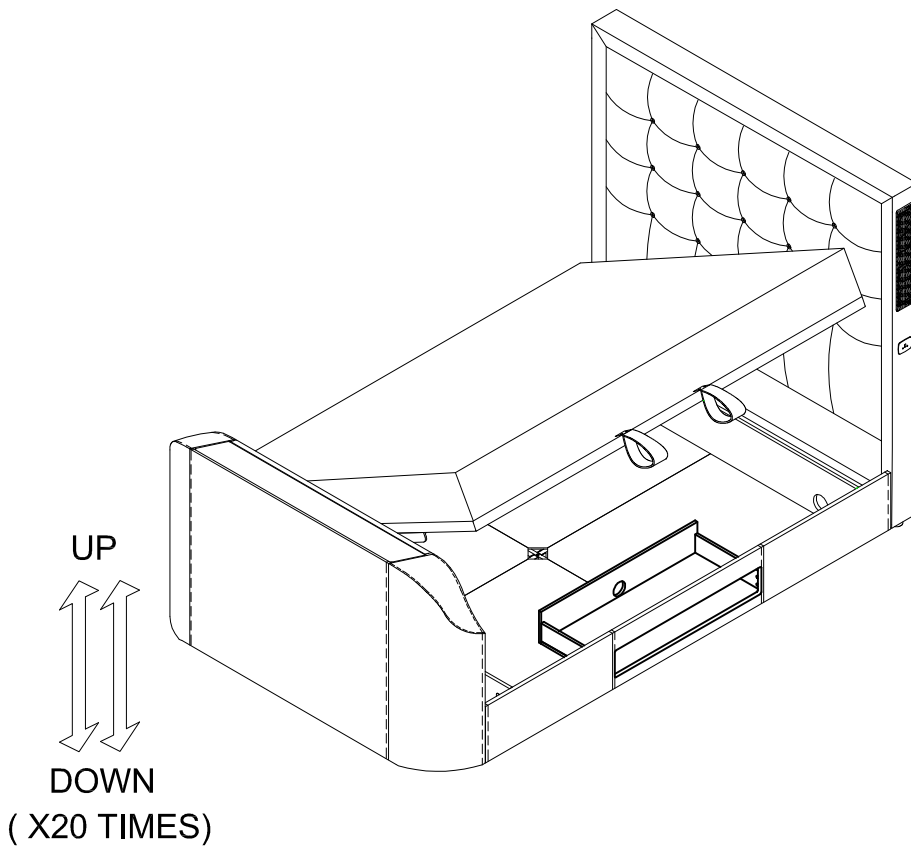
Step 30

- Make sure the bed frame 4 side angles are at 90 degrees before you closing the lift base.



Step 31

- The mattress must be fitted on the lift base. (Do not operate the lift up mechanism without the mattress fitted on the lift base.)
- Lift Up and Down the lift-up frame with mattress at least 20 times before use.



TROUBLE SHOOTING

TV LIFT DOES NOT OPERATE USING THE WIRELESS REMOTE CONTROL

CHECK

IS THERE A RED LIGHT ON THE BEDS POWER SUPPLY (12)?

YES

DOES THE LED LIGHT WORK ON THE WIRELESS REMOTE CONTROL WHEN A BUTTON IS PRESSED?

YES

POWER OFF THE BED SYSTEM AT THE MAINS SUPPLY

CONTINUOUSLY PRESS "ON BUTTON" ON THE WIRELESS REMOTE CONTROL (XV)

WHILE CONTINUING TO PRESS THE BUTTON ON THE WIRELESS REMOTE CONTROL ON THE MAIN SUPPLY (DO NOT RELEASE THE BUTTONS ON THE WIRELESS REMOTE CONTROL (XV) UNTIL AFTER 5 SECONDS

NOW TRY TO OPERATE THE TV LIFT

THE FAULT REMAINS

CONTACT HELPLINE

NO

ENSURE THERE IS A RECHARGEABLE BATTERY IN THE REMOTE AND FULLY CHARGE USING A MICRO USB POWER CABLE.

THE FAULT REMAINS

CONTACT HELPLINE

NO

ENSURE THE POWER SUPPLY (12) IS CONNECTED TO A 'SWITCHED ON' WORKING MAINS SUPPLY.

THE FAULT REMAINS

CONTACT HELPLINE

TROUBLE SHOOTING

**HEADBOARD
-USB PORT (TRY CHARGING AN ALTERNATIVE DEVICE WITH A DIFFERENT POWER CABLE)
-AUX SOCKET,
-H/P SOCKET, DOES NOT OPERATE**

CHECK

IS THERE A RED LIGHT ON THE BEDS POWER SUPPLY (12) & (II)?

YES

THE FAULT REMAINS

CONTACT HELPLINE

NO

ENSURE THE POWER SUPPLY (12) & (II) IS CONNECTED TO A 'SWITCHED ON' WORKING MAINS SUPPLY.

THE FAULT REMAINS

CONTACT HELPLINE

4.1 AUDIO SPECIFICATION

Factory Fitted Audio System

4.1 Channels - Surround Sound

17 x Speaker Drivers

(16 x 2.5" - '6w' Treble Speakers & 1 x 6" '24w' Woofer Speaker)

Total sound output

(120w RMS)

1 (Footboard Integrated, Front Facing 4 x LHS Speakers: 24w RMS)

2 (Footboard Integrated, Front Facing 4 x RHS Speakers: 24w RMS)

3 (Headboard Integrated, Rear Facing 4 x LHS Speakers: 24w RMS)

4 (Headboard Integrated, Rear Facing 4 x RHS Speakers: 24w RMS)

.1 (Footboard Integrated, Indirect Positioned 1 x Woofer Speaker '24w RMS')

Footboard Integrated - 4.1 Channel Digital Amplifier

(Frequency Response: 20Hz -- 20000Hz)

(Input Power: 21v - DC)

(Input Sensitivity: p-p 0.5v)

(Total PMPO 480W)

(Power On / Off LED Indicator)

(Power On / Off Switch)

(Digital Optical 'In' Socket)

Wireless Remote Control (Combined TV Lift & Speaker System Control)

Operates Speaker System

(Front/Rear Speaker Balance 'with BAL quick select) with LED level indicator

(Treble + / -) with LED level indicator

(Bass + / -) with LED level indicator

(Vol + / -) with LED level indicator

(Standby)

(1 x Audio Channel/Mode Selector - 'BT, Aux, TV Optical Sound') with LED indicator

Hub

(2 x 2.1amp 'USB Charging' Socket)

(2 x 3.5mm 'Headphone Jack' Socket) (5V~2A)

(2 x Audio In 'Aux' Socket)

USB Specification

Total output = 10W (5V-2A) x 2 port

Max output per USB port = 7.5W (5V-1.5A max)

Factory Fitted TV Lift System

Footboard integrated - Lightweight/Whisper-silent, Linear Actuated TV Lift System

(Auto TV Power Cut-Off Feature) During TV Down Operation)

2.4G Radio Frequency Remote Control (Combined TV Lift & Speaker System Control)

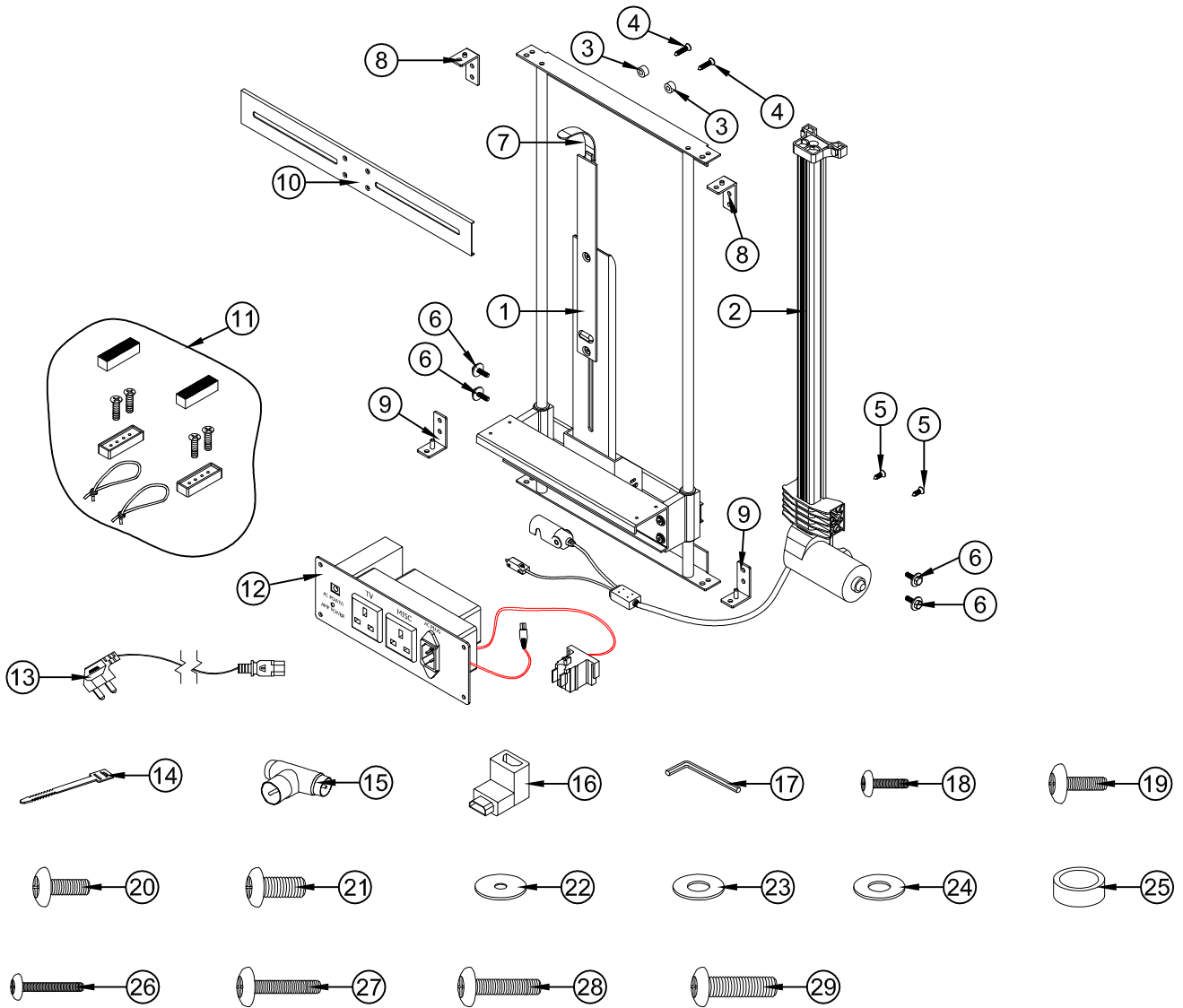
(Operates/Controls TV Lift) Up/Stop/Down Function

Footboard Integrated - Two way Power Supply Extension Box

(TV Power Socket)

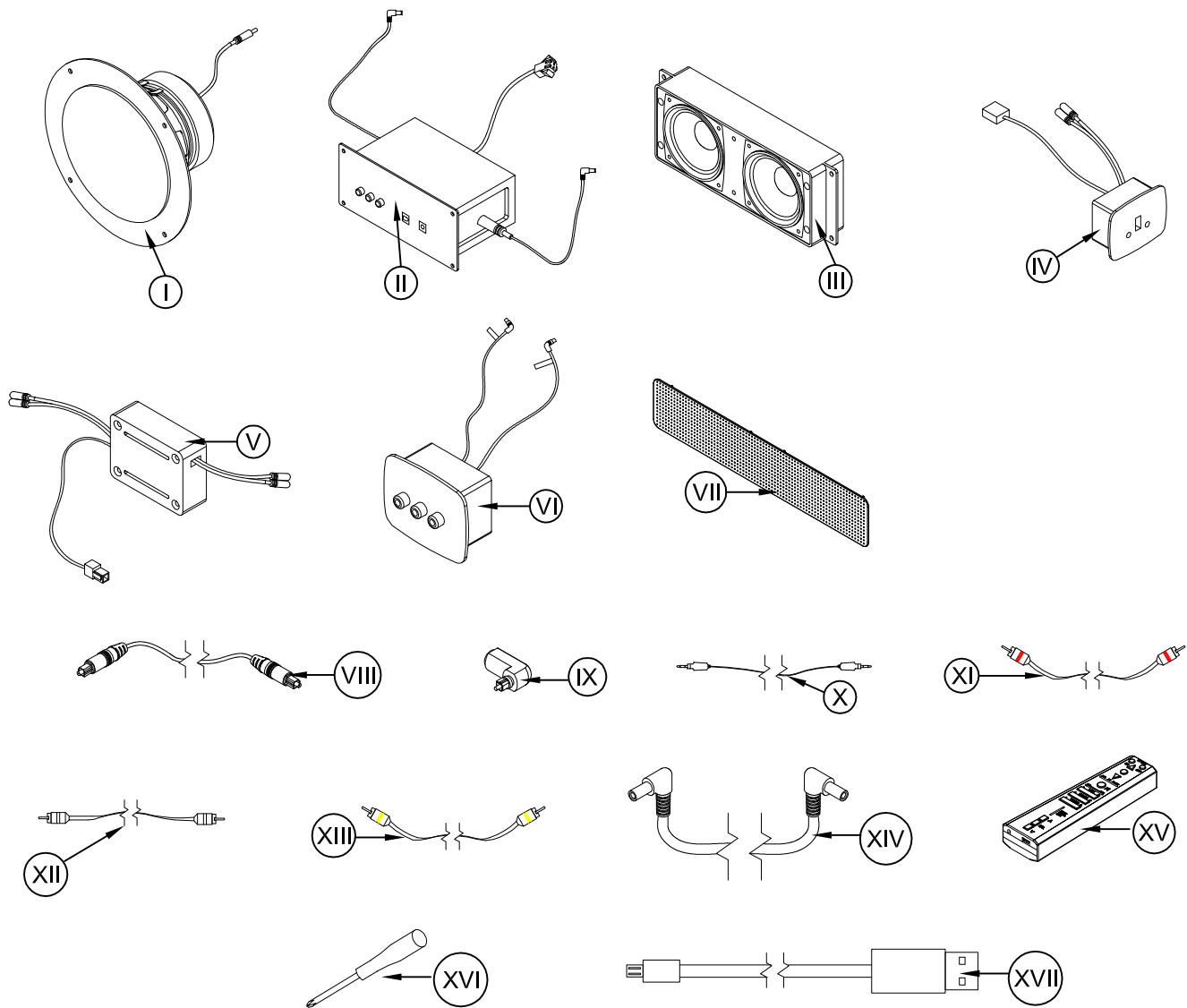
(DVD/Satellite/Games Console Power Socket)

G4 TV LIFT MECHANISM- OPTI-SERVE SPARE PARTS LIST



ITEM NO.	PART DESCRIPTION	IV CODE
1	Main TV-lift up mechanism (pre- assemble)	
2	TV-linear actuator G4 (pre-fixed)	
3	Actuator mounting top spacer (2pcs) (pre-fixed)	
4	Cross recessed countersunk flat head wood screw- Top mounting M6 x 30mm (2pcs) (pre-fixed)	IV 001614
5	Cross recessed countersunk flat head wood screw- Top mounting M6 x 20mm (2pcs) (pre-fixed)	
6	Actuator mounting bolt- screw M6 x 20mm (4pcs) (pre-fixed)	
7	Gooseneck (pre-fixed)	IV 001289
8	Top hanging bracket (2pcs) (pre-fixed)	
9	Bottom hanging bracket (2pcs) (pre-fixed)	IV 001636
10	TV- flat bracket (Vesa Bracket) (pre-fixed)	IV 001290
11	TV block (2pcs), screw M4 x 35mm (4pcs), block rubber cover (2pcs), cable management bungee cable (2pcs) (pre-fixed)	IV 001635
12	Power Adapter (1pc) (pre-fixed) UK	IV 001615
13	TV-lift up mechanism AC/ power-cable power plug	IV 000021
14	Cable clip (2pcs)-use to fix wire	
15	Aerial connection (1pc)	
16	90 degree HDMI adaptor (1pc)	
17	Allen key (M4) (1pc)	
18	Pan head screw M4 x 20mm (2pcs)	
19	Pan head screw M5 x 20mm (2pcs)	
20	Pan head screw M6 x 20mm (2pcs)	
21	Pan head screw M8 x 20mm (2pcs)	IV 001634
22	M5 washer (2pcs)	
23	M6 washer (2pcs)	
24	M8 washer (2pcs)	
25	Plastic collar (6pcs)	
26	Pan head screw M4 x 40mm (2pcs)	
27	Pan head screw M5 x 40mm (2pcs)	
28	Pan head screw M6 x 40mm (2pcs)	
29	Pan head screw M8 x 40mm (2pcs)	

4.1 AUDIO- OPTI-SERVE SPARE PARTS LIST



ITEM NO.	PART DESCRIPTION	IV CODE
I	Woofer (pre-fixed)	IV 001619
II	Amplifier (pre-fixed)	IV 001621
III	Speaker (8pcs) (pre-fixed)	IV 001620
IV	USB Connector (2pcs) (pre-fixed)	IV 000019
V	Power supply HUB (AUX/USB/HP) (2pcs) (pre-fixed)	IV 000017
VI	HUB speaker connect (1pc) (pre-fixed)	IV 001633
VII	Headboard & Footboard Speaker Mesh (4pcs) (pre-fixed)	IV 001936(SLV),IV 001623(BLK)
VIII	Optical Cable	
IX	Optical Adaptor Head	IV 001641
X	Aux Cable	IV 001927
XI	RCA Cable-Red	
XII	RCA Cable-White	IV 001632
XIII	RCA Cable-Yellow	
XIV	Power Cable	IV 001629
XV	Wireless remote control	IV 001968
XVI	Micro Philips Screw Driver	
XVII	USB Micro-B (Male) charger cable	IV 001722

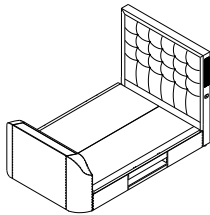


UKCA/EU DECLARATION OF COMFORMITY & INCORPORATION

Product ID: UKQ-BD003476/77/78, UKK-BD003479
 Description: [TITAN 3 OTTOMAN 4.1 MEDIA TV BED](#)
 Model: MK3-MTV-D6 (5FT & 6FT)
 Manufacturers:
 BSSB LEATHER AND FABRIC BEDS SDN BHD
 LOT, 728, JALAN KU 6, TAMAN KLANG UTAMA 42100, KLANG SELANGOR, MALAYSIA

Authorized representative:
 KAYDIAN DESIGN LIMITED
 REDBURN HOUSE, REDBURN ROAD, WESTERHOPE, NEWCASTLE UPON TYNE, NE5 1NB TEL+44(0)1912712118

Customer: KAYDIAN
 Bed model: [TITAN 3 OTTOMAN 4.1 MEDIA TV BED](#)
 Product Image



This declaration is issued under the sole responsibility of the manufacturer. We hereby certify that the product stipulated above complies with all the relevant provisions of the following EU/UKCA new approach directive/s:

- Electromagnetic Compatibility (EMC) 2014/30/EU
- Low Voltage Directive (LVD) 2014/35/EU
- Radio Equipment (RED) 2014/53/EU
- Restriction of Hazardous Substances (RoHS) 2011/65/EU
- Machinery Directive (MD) 2006/42/EC

Conformity is shown by compliance with the applicable requirements of the following **harmonized standards**:

Applicable Harmonized Standards <i>(Standard reference, date and amendments)</i>	Title <i>(The title/description of the harmonized standard)</i>
ESTI EN 62479: 2010	Assessment Compliance Lower power electronic & equipment
ETSI EN 300 328 V2.2.2	2.4 GHz Bluetooth 5.0 (only EDR)
ESTI EN 301 489-1 V2.2.3	2.4 GHz Bluetooth 5.0 (only EDR)
ESTI EN 301 489-17 V3.2.4	2.4 GHz Bluetooth 5.0 (only EDR)

RED: Where applicable, include description of accessories and components, including software, which allow the radio equipment to operate as intended and covered by the UKCA/EU declaration of conformity

Signed for and on behalf of: BSSB LEATHER & FABRIC BEDS SDN BHD
 Name: MIKE LIM
 Position: INNOVATION QUALITY MANAGER
 Signature:

