

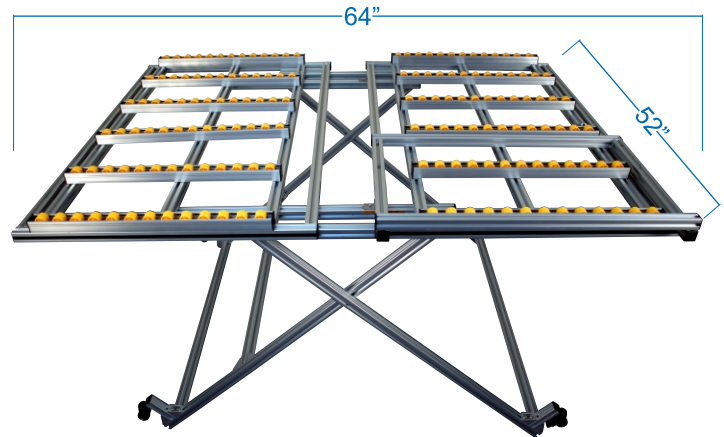
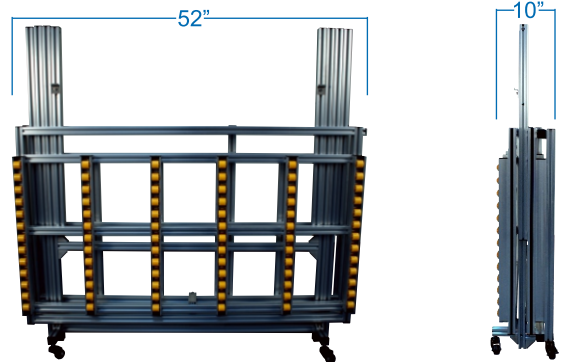
ELT-120 Lamination Worktable



This lamination worktable is the ideal & affordable alternative to the expensive flatbed lamination tables out on the market today. The ELT-120 is able to support 5'x10' sheets of material when set up. However, when storing, its total footprint is 1/6th of the open table. The ELT-120 will increase productivity & accuracy in the work environment.

Highlighted Features

- Low Cost & Versatile Functionality
- Light Weight High Quality Durable Aluminum
- Adjustable Table Height (34" - 39")
- Over 150 Conveyor Rollers for Smooth Material Handling
- Castors to Easily Transport Folded Table for Storage or Moving
- Guide Bar to insure that all Material is straight when being fed into the Laminator



Information subject to change without notice.

Specifications	ELT-120
WxLxH (uncrated folded)	10" x 52" x 48.5"
WxLxH (uncrated unfolded)	51" x 65" x 36"
Weight (uncrated)	60lbs
WxLxH (crated)	10.5" x 52" x 49.75"
Weight (crated)	75lbs
UPC Code	8 49023 07216 4

90 Day Warranty on Parts Only