



Portable Air Conditioner *3 in 1*

ARP-2208



Page en Français
Read and retain these instructions for future reference.
For any Customer Support needs, please choose the Support tab on
www.royalsovereign.com (USA)
www.royalsovereign.ca (Canada)

Royal Sovereign International Inc

CONTENTS

SAFETY INSTRUCTIONS -----	2-3
PRODUCT VIEW -----	4
INSTALLATION -----	6
OPERATION -----	7-10
MAINTAINANCE AND SELF DRAINAGE -----	11-12
TROUBLESHOOTING -----	13
SPECIFICATIONS -----	14
WARRANTY -----	15

SAFETY INSTRUCTIONS

When using this unit follow these safety precautions to reduce risk of fire, electric shock, or injury.



WARNING

ELECTRICAL SAFETY

1. For your safety, this unit should be properly grounded on a level surface indoors.
2. The unit should be placed near an electrical outlet so that the outlet is easily accessible.
3. Make sure the voltage meets the unit's electricity requirements (115-120V/60Hz).
4. Do not connect this machine to an outlet having the electrical ratings below or above this machine.
5. In case of any abnormality, be sure to turn off the machine, disconnect the plug, and contact Royal Sovereign Customer Service.
6. Do not operate if the electrical plug or power cord is damaged. If damaged, call Royal Sovereign Customer Service for repair/replacement.
7. Do not under any circumstances alter the electric plug.
8. Do not place heavy items on the plug or cord.
9. Do not plug this cord into a loose electrical outlet.
10. Only plug the unit into a properly installed, grounded 3 prong outlet.
11. If the electrical outlet you intend to use is not adequately grounded or protected by a time delay fuse or circuit breaker, you should have a qualified electrician install the proper outlet.
12. Do not share the electrical socket with other appliances.
13. Do not use an adapter plug or extension cord with this unit.
14. Never attempt to turn off this machine by disconnecting the plug.
15. When plugging or unplugging, keep your hands dry.
16. Always grasp the plug when plugging or unplugging the unit. Never unplug by pulling on the cord.
17. Do not pull on the power cord while moving the unit.
18. This unit uses a plug with a built-in fuse. Conduct a Power Plug Check before use to confirm normal operation.
19. Turn the unit off and unplug when: cleaning the unit, removing the filters, or not using the unit for an extended time period.

Read and Fully Understand this Owners Manual before using or operating the unit

SAFETY INSTRUCTIONS

When using this unit follow these safety precautions to reduce risk of fire, electric shock, or injury.



WARNING

OPERATIONAL SAFETY

1. Install the unit according to the installation instructions supplied.
2. Do not block air outlets or intake with obstacles.
3. Do not insert any objects into the unit.
4. Do not place heavy items or sit on the unit.
5. Do not place flammable or chemical substances near the unit.
6. Do not place this machine near heating appliances.
7. Do not splash or pour water on the housing or control panel.
8. To prevent the water from freezing, do not use this machine and the drain hose at a temperature below 41° (5°C).
9. Ensure the rubber drain plugs are securely plugged into the drain ports on the back of the unit to prevent water leaks.
10. Drain the unit before moving the unit or storing the unit.
11. Do not operate the unit with the back cover removed.
12. Do not use this machine outside.
13. Do not modify any part of this product.
14. Do not operate this unit for any other purpose other than its intended use.
15. This unit is not designed for use by young children.

Read and Fully Understand this Owners Manual before using or operating the unit

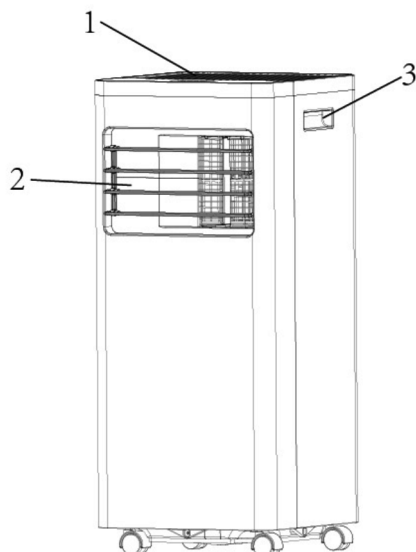
PRODUCT VIEW

UNIT

1. Control Panel

2. Adjustable Louver
Louver

3. Handle



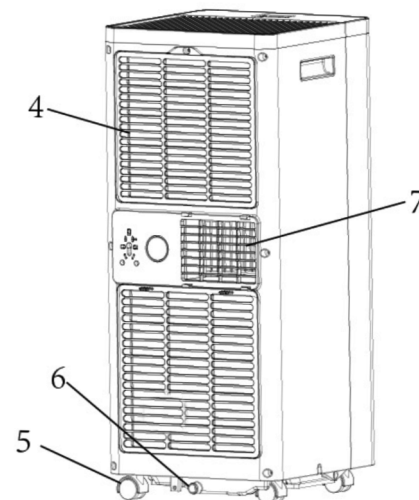
UNIT

4. Air Filter (Inlet)

5. Caster Wheels

6. Drainage Hole

7. Exhaust Duct



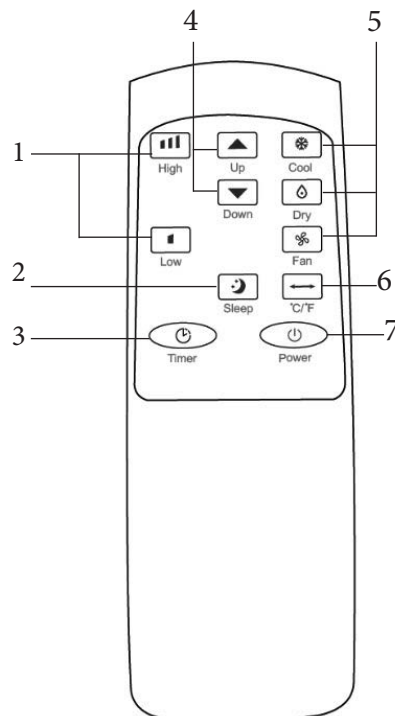
REMOTE CONTROL

1. High / Low Mode

2. Sleep Mode

3. Timer (On / Off)

4. Up / Down Mode



5. Mode (Cool / Dry / Fan)

6. Mode (°C / °F)

7. Power (On / Off)

UNPACKING

Accessories Included:

1. Exhaust hose



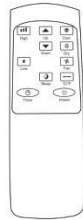
2. Hose connector



3. Window kit adapter



4. Remote control



5. Window Kit



Important:

To prevent damage after moving, unpack the unit and let the unit stand upright for a minimum of 2 hours. If the unit was accidentally placed on its side, allow the unit to set upright for at least 24 hours before use.

PLACEMENT

1. Place the unit on a firm, level surface in an area with at least 20" (50cm) of free space around it to allow for proper air circulation. The electrical outlet used should be in accordance with the local electric safety requirements.
2. Do not operate in close proximity to walls, curtains, or other objects that may block the units air inlet and outlet.
3. Keep the air inlet and outlet free of obstacles.

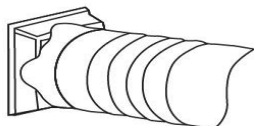
Never install the unit where it could be subject to:

- Heat sources such as radiators, heat registers, stoves or other products that produce heat.
- Direct sunlight
- Mechanical vibration or shock
- Excessive dust
- Lack of ventilation, such as next to a cabinet or bookcase
- Uneven surface

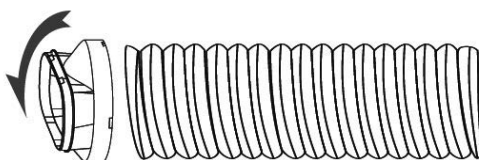
INSTALLATION

The air conditioner requires being vented outside so that the exhaust air can escape the room. Do not replace or extend exhaust hose beyond its specification. This will result in decreased efficiency of the unit and may cause the unit to shut down due to low backpressure.

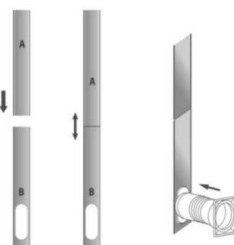
STEP 1: Connect the hose connector to one end of the exhaust hose.



STEP 2: Connect the windows kit adapter to the other end of the exhaust hose.

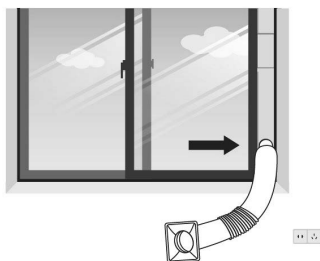


STEP 3: Extend the adjustable window kit the length of your window. Connect the exhaust hose to the window kit. The window kit can be installed either horizontally or vertically. The window kit can be adjusted from 25.6"-47.2" (0.65-1.2m). The exhaust hose can be adjusted from 9.4"-59" (240-1500mm).

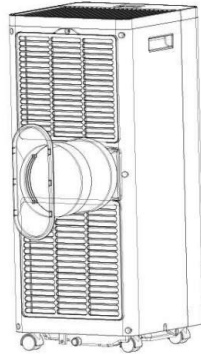


STEP 4: Open the window and place the window kit on the inside edge of the window. Adjust the window seal plate to the width of the window. Once secure, close the window to secure it in place.

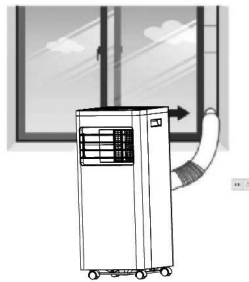
Note : Depending on the type of window frame, for some window installations the use of duct tape may be ideal to better seal the window kit to attain a better closed seal which will yield maximum efficiency.



STEP 5: Attach the hose connector to the exhaust air outlet of unit.



STEP 6: Adjust the length of the flexible exhaust hose. Avoid bends in the hose and ensure that the unit is near the electrical outlet.



OPERATION

BEFORE PLUGGING IN THE UNIT TO A POWER SOURCE:

1. Let the unit stand upright for a minimum of 2 hours. This will reduce the chance of malfunction in the cooling system.
2. Ensure the rubber drain plugs are securely plugged into the drain ports on the back of the unit to prevent any possible water leaks.
3. Ensure the exhaust hose and window kit installation has been installed properly and properly vented.

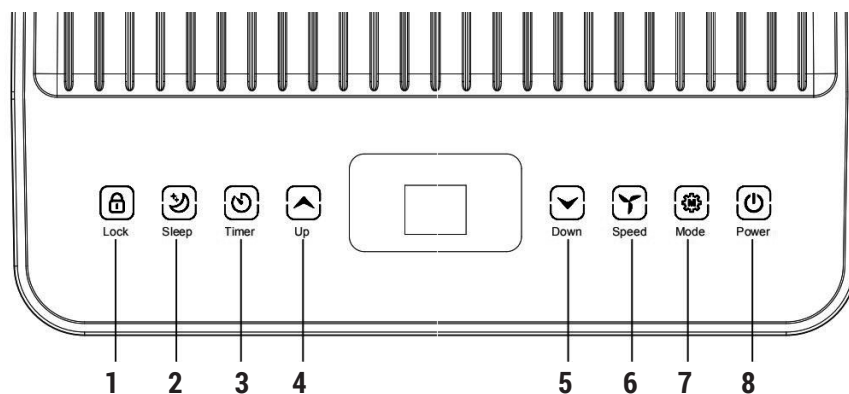
Conduct a Power Plug Check:

1. Press the RESET button on the power cord.
2. Plug the cord into an electrical outlet.
3. Press the TEST button on the power cord. The RESET button should pop up.
4. Press the RESET button for use.
5. Do not use the air conditioner if the test fails.

NOTE:

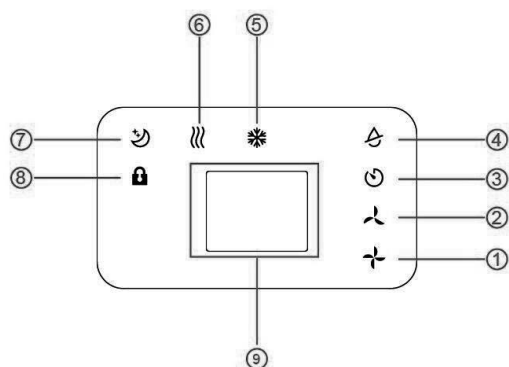
1. If you turn the air conditioner off and immediately restart it, allow up to 3 minutes for the compressor to restart cooling. In the event of a power failure, wait 3 minutes before restarting the unit.
2. The unit sold in the United States is preset to Fahrenheit. The unit sold in Canada is preset to Celsius.

UNIT PANEL



	Press button to turn ON/ OFF the child lock function
	Press button to turn ON/ OFF sleep mode.
	Press button to set a time for the unit to automatically start or stop.
	Press button to increase the desired temperature and/or used for timer setting.
	Press button to decrease the desired temperature and/or used for timer setting.
	Press button to switch the fan speed between HIGH and LOW.
	Press button to switch the operation mode between fan, cooling and dehumidifying mode.
	Press button to turn unit ON/ OFF.

SYMBOLS



- 1. High Fan Speed
- 2. Low Fan Speed
- 3. Timer
- 4. Dehumidifier Mode
- 5. Cooling Mode
- 6. Fan Mode
- 7. Sleep Mode
- 8. Lock Mode
- 9. Display Window

Fan Mode

Using the control panel

Press the Fan Mode button until fan mode is selected. The fan indicator light will blink for a few second and turn solid when set. In fan mode, only the unit will circulate air, while the units compressor is off.

To change between high and low setting, press the speed button.

To control the direction of the air flow, manually adjust the louvres by using the louvre handle.

Using the remote control

Press the Fan button. The fan indicator light will blink for a few seconds and turn solid when set.

To change between high and low setting, press the appropriate high or low button.

Dehumidifying Mode

Using the control panel

Press the Dehumidifying Mode button until fan mode is selected. The dehumidifier indicator light will blink for a few second and turn solid when set. In dehumidify mode, only fan runs at low speed and the temperature is not adjustable.

Using the remote control

Press the Dry button. The fan indicator light will blink for a few seconds and turn solid when set.

Important Note: In dehumidifying mode, the user may want to consider continuous drain option. Refer to Safety Precautions, Maintenance and Continuous Drainage section of this manual.

Cooling Mode

Using the control panel

Press the Cooling Mode button until cool mode is selected. The cool indicator light will blink for a few second and turn solid when set. Press the up or down icons to set the desired temperature. The display will show the current set temperature

To change between high and low setting, press the speed button.

Important Note: For optimal operation, shorten the length of the air duct and keep unit away from direct sunlight. To control the direction of the air flow, manually adjust the louvres by using the louvre handle.

Using the remote control

Press the Cool button. The cool indicator light will blink for a few seconds and turn solid when set.

To change between high and low setting, press the appropriate button. To change the temperature, press the up/down button.

Child Lock Function

This button is on the unit itself. When pressed, this function locks the air conditioner into the mode it is currently operating in. When in lock mode you cannot change modes from the display or remote control until it is unlocked. To operate, press and hold the Child Lock button. The lock icon LED light on the control panel will turn on to indicate that the unit is in lock mode. To turn off Child Lock feature, press and hold the Child Lock button. The Child Lock icon will turn off on the control panel.

Sleep Mode

Using the control panel

Press the sleep icon to switch to sleep mode. Sleep mode can only be used when the unit is in cooling mode. In sleep mode the fan runs at low speed. During sleep mode after 1 hour the preset temperature will increase by 1°F and every hour after by 1°F.

Timer

The timer function has two sets of operation (Timer OFF and Timer ON)

To turn off
(When power on)



Press **Timer** key to turn on the timer function.



Press **Up / Down** repeatedly to set the delay OFF time.

To turn on
(When power off)



Press **Timer** key to turn on the timer function.



Press **Up / Down** repeatedly to set the delay ON time.

Cancel timer



Press **Up / Down** repeatedly until the LED shows '00'.
Note: Pressing **POWER** will also exit the timer setting.

SAFETY PRECAUTIONS, MAINTENANCE AND CONTINUOUS DRAINAGE

Automatic Defrost

As a safety precaution, this unit is equipped with Automatic Defrost Feature. At low room temperatures, frost may buildup at the evaporator during operation. To ensure ideal operation of the unit, the units built in Automatic defrost function will activate. the air conditioner unit will automatically start defrosting and the POWER LED will blink.

The auto defrost feature will operate in cooling setting. When in cooling operation, if the unit ambient temperature sensor senses the evaporator coil temperature to be below -1°F, the compressor will stop operating for 10 minutes. When the coil temperature sensor detect 7 °F, the unit will restart to cool operating mode

Overload Protection

In the event of a power loss, to protect the compressor there is a 3-minute delay until the compressor restarts.

Drainage (Dehumidifying)

Built into this unit is self-evaporating drainage feature. Under normal operating conditions, the self-evaporative feature of the unit will operate without issue or maintenance being required. However, in high humidity conditions, you may need to drain manually water from the unit (Ft error). You may also choose to do continuous drain option, which would drain water automatically from the unit (in dehumidifier mode).

To Drain Manually

1. Turn off the power to the unit and unplug
2. Place a water tray under the drainage port at the bottom of the unit to collect water
3. Remove the rubber drainage plug and allow water to drain
4. Replace the plug, when drainage water stops flowing

For continuous drainage into a floor drain

To operate similar to a stand alone dehumidifier, you may choose to use continuous drain option:

- Turn off the power to the unit and unplug the unit.
- Remove the plug of the water outlet opening.
- Attach the drain hose. Ensure that the hose is straight without any knots and clear of obstruction.
- Place the other end of the drainage hose into a floor drain.
- Replace the rubber sealing plug after operation to prevent leaks.



Remove the rubber sealing plug.



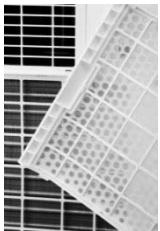
Continuous drain hose

CLEANING THE AIR FILTER

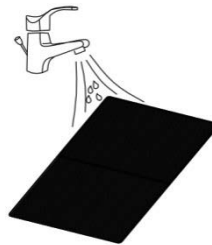
The filter should be cleaned about every 2 weeks to maintain proper air flow.

Important : Do not operate the unit without an air filter, or the evaporator may be contaminated.

1. Press POWER button to turn OFF the unit. Unplug the unit from the electrical power outlet.
2. Remove the filter mesh from the unit.
3. Use a vacuum cleaner or brush to clean the air filter.
4. Turn the filter over and rinse the air filter under running water. Set the air filter aside and allow the filter to air dry completely before reinstalling.



Turn OFF and unplug unit. Remove the two air filters for cleaning.



Rinse the air filter under running water.

STORAGE

If you will not be using the unit for an extended period of time (more than a few weeks) it is best to clean the unit and dry it out completely. The unit must be kept in upright position when in storage.

1. Unplug the unit and remove exhaust hose and window kit store with the unit.
2. Drain the remaining water from the unit.
3. Clean the filter and let the filter dry completely.
4. Re-install the filter.
5. Preserving the machine in ventilating, dry, non- corrosive gas and safe place indoor.

TROUBLESHOOTING

Symptom		Check	Solution
The unit is not operating.		Check the power connection.	Insert the power cord securely into the wall outlet.
		Check if the water is full.	Empty the drain pan by removing the rubber plug.. Refer to self evaporating drainage section of this manual.
		Check the room temperature.	The range of operating temperature is 41-95°F (5-35°C)
The unit works with reduced capacity.		Check the air filter to see if it needs cleaning.	Clean the air filter.
		Check if the air duct is blocked.	Clear the obstacle.
		Check if a room door or window is open where unit is operating.	Keep the door and windows closed.
		Check if the desired operating mode is selected and the temperature is properly set.	Set the mode and temperature to proper setting.
		The exhaust hose is detached.	Ensure the exhaust hose is securely attached.
Water Leakage		Overflow while moving the unit.	Empty the water tank before transport. Refer to self evaporating drainage section of manual.
		Check if the drain hose is kinked or bent.	Straighten the hose to avoid a trap existing.
Excessive Noise		Check if the unit is securely positioned.	Ensure the unit is on a flat, firm surface
		Check if any loose, vibrating parts.	Secure and tighten any parts.
		Noise sounds like water flowing.	Noise comes from flowing refrigerant. This is normal.
Error Codes	E0	Communication faults between main PCB and display PCB.	Check the wire harness of the display PCB for damage.
	E1	Ambient temperature sensor failure.	Check connection or replace it. Clean or replace the temperature sensor. Contact Royal Sovereign customer service .
	E2	Coil temperature sensor failures.	Check connection or replace it. Clean or replace the temperature sensor. Contact Royal Sovereign customer service.
	Ft	Condensate water high level alarm.	Empty the drain pan by removal the rubber plug. Refer to self evaporating drainage section of manual.

SPECIFICATIONS

Attributes

BTU: 8000 BTU ASHRAE (5000 BTU SACC)

Room Size: 300 sq. ft. (27.8m²) **Functions:**

Cool, Fan, Dehumidify

LED Digital Display: Yes

Remote Control Included: Yes

4-Way Manual Louvres: Yes

Fan Speeds: 2

24 Hour Timer: Yes

Sleep Mode: Yes

Auto Restart: Yes

Thermostat Range: 61-90°F / 16-32°C

Selectable °C / °F Setting: Yes

Temperature Display: Yes

Airflow Volume: 300 m³/h

Water Removal: Self-evaporative

Dehumidify Capacity / Day: 19.8L / 41.8 Pints

Sound: Low <52dB, High <54dB

Window Kit Included: Yes. Kit frame adjustable from 25.6"-47.2" (0.65-1.2m), Hose

9.4"-59" (240-1500mm) **Refrigerant:** R410A

Power Supply: 120V/60 Hz

Power Consumption: 800W, 7.1A

Dimensions and Weights

Unit Dimensions (w x d x h)

12.4" x 12.2" x 27.6" (315 x 310 x 700mm)

Unit Weight: 42 lbs (19.1 kg)



WARNING

DISPOSAL

Releasing refrigerant into the atmosphere is strictly forbidden!

Do not dispose of electrical appliances as unsorted municipal waste, use separate collection facilities. Contact your local government for information regarding the collection systems available. If electrical appliances are disposed of in landfills or dumps, hazardous substances can leak into the groundwater and get into the food chain, damaging your health and well-being.



* All specifications mentioned are under test conditions. Actual performance depends on ambient conditions.

ONE YEAR LIMITED WARRANTY

Royal Sovereign International, Inc. warrants this product to be free from defects in material and workmanship to the original purchaser only as outlined below.

Parts : Replacement of defective parts for 1 year from the date of customer purchase.

Compressor : 3-year warranty from the date of customer purchase. Royal Sovereign will supply a replacement compressor (parts only), free of charge.

Labour : 1 year from the date of end user purchase.

This warranty only covers products that are properly installed, properly maintained, and properly operated in accordance with the instructions provided. This limited warranty does not cover any failures or operating difficulties due to normal wear and tear, accident, abuse, misuse, alteration, misapplication, improper installation, or improper maintenance and service by you or any third party.

Returned product will not be accepted without a Return Authorization number. To request a Return Authorization number, please visit us at www.royalsovereign.com. All transportation costs for the return of damaged product or parts will be the responsibility of the purchaser. Return defective product, in original packaging, to the address below.

Royal Sovereign International, Inc. (and its affiliated companies) requires reasonable proof of your date of purchase from an authorized retailer or distributor. Therefore, you should keep your receipt, invoice, or canceled check from the original purchase. The limited warranty shall be limited to the repair or replacement of parts which prove defective under normal use and service within the warranty period.

Royal Sovereign International, Inc. (and its affiliated companies) SHALL HAVE NO LIABILITY WHATSOEVER TO PURCHASER OR ANY THIRD PARTY FOR ANY SPECIAL, INDIRECT, PUNITIVE, INCIDENTAL, OR CONSEQUENTIAL DAMAGES. Some states do not allow the exclusion or limitation of incidental or consequential damages so the above exclusion and limitations may not apply to you.

ROYAL SOVEREIGN INTERNATIONAL, INC.

2 Volvo Drive Rockleigh, NJ 07647 USA

TEL : (201) 750-1020

info@royalsovereign.com

www.royalsovereign.com

RS INTERNATIONAL CANADA INC.

191 Superior Blvd., Mississauga, ON L5T 2L6 CANADA

TEL: (905) 461-1095

e-mail: ca.support@royalsovereign.com

www.royalsovereign.ca

For product support and warranty questions, please visit us at
www.royalsovereign.com/customer-support.html



Climatiseur Portable *3 in 1*

ARP-2208



Page en français
Lisez et conservez ces instructions pour toute référence ultérieure
Pour tout besoin de support client, veuillez choisir l'onglet Support sur
www.royalsovereign.com (USA)
www.royalsovereign.ca (Canada)

Royal Sovereign International Inc

CONTENU

INSTRUCTIONS DE SÉCURITÉ -----	18-19
SURVOL DU PRODUIT-----	20
INSTALLATION -----	22
FONCTIONNEMENT -----	23-26
ENTRETIEN ET VIDANGE AUTOMATIQUE -----	27-28
DÉPANNAGE -----	29
SPÉCIFICATIONS -----	30
GATANTIE -----	31

CONSIGNES DE SÉCURITÉ

Lorsque vous utilisez cet appareil, suivez ces consignes de sécurité pour réduire les risques d'incendie, d'électrocution ou de blessure.



AVERTISSEMENT

SÉCURITÉ ÉLECTRIQUE

1. Pour votre sécurité, cet appareil doit être correctement mis à la terre sur une surface plane à l'intérieur.
2. L'appareil doit être placé à proximité d'une prise électrique de manière à ce que celle-ci soit facilement accessible.
3. Assurez-vous que la tension correspond aux exigences électriques de l'appareil (115-120 V/60 Hz).
4. Ne connectez pas cette machine à une prise dont les caractéristiques électriques sont inférieures ou supérieures à celles de cette machine.
5. En cas d'anomalie, veillez à éteindre l'appareil, à débrancher la prise et à contacter le service clientèle de Royal Sovereign.
6. Ne pas utiliser l'appareil si la fiche électrique ou le cordon d'alimentation est endommagé. S'il est endommagé, appelez le service clientèle de Royal Sovereign pour le faire réparer ou le remplacer.
7. Ne modifiez en aucun cas la fiche électrique.
8. Ne placez pas d'objets lourds sur la fiche ou le cordon.
9. Ne branchez pas ce cordon dans une prise électrique non raccordée.
10. Ne branchez l'appareil que sur une prise à 3 broches correctement installée et reliée à la terre.
11. Si la prise électrique que vous avez l'intention d'utiliser n'est pas correctement mise à la terre ou protégée par un fusible à retardement ou un disjoncteur, vous devez demander à un électricien qualifié d'installer la prise appropriée.
12. Ne partagez pas la prise électrique avec d'autres appareils.
13. N'utilisez pas de fiche adaptatrice ou de rallonge avec cet appareil.
14. N'essayez jamais d'éteindre cet appareil en débranchant la fiche.
15. Lorsque vous branchez ou débranchez l'appareil, gardez vos mains sèches.
16. Saisissez toujours la fiche lors du branchement ou du débranchement de l'appareil. Ne débranchez jamais en tirant sur le cordon.
17. Ne tirez pas sur le cordon d'alimentation lorsque vous déplacez l'appareil.
18. Cet appareil utilise une fiche avec un fusible intégré. Effectuez une vérification de la fiche d'alimentation avant de l'utiliser pour confirmer un fonctionnement normal.
19. Éteignez l'appareil et débranchez-le lorsque vous nettoyez l'appareil, retirez les filtres ou n'utilisez pas l'appareil pendant une période prolongée.

Lisez et comprenez entièrement ce guide d'utilisation avant d'utiliser ou de faire fonctionner l'appareil.

CONSIGNES DE SÉCURITÉ

Lorsque vous utilisez cet appareil, suivez ces consignes de sécurité pour réduire les risques d'incendie, d'électrocution ou de blessure.



AVERTISSEMENT

SÉCURITÉ DE FONCTIONNEMENT

1. Installez l'appareil conformément aux instructions d'installation fournies.
2. Ne bloquez pas les sorties ou l'entrée d'air avec des obstacles.
3. N'insérez pas d'objets dans l'appareil.
4. Ne posez pas d'objets lourds et ne vous asseyez pas sur l'appareil.
5. Ne pas placer de substances inflammables ou chimiques à proximité de l'appareil.
6. Ne placez pas cet appareil à proximité d'appareils de chauffage.
7. Ne pas éclabousser ou verser de l'eau sur le boîtier ou le panneau de commande.
8. Pour éviter que l'eau ne gèle, n'utilisez pas cet appareil et le tuyau d'évacuation à une température inférieure à 41° (5°C). 41° (5°C).
9. Assurez-vous que les bouchons de vidange en caoutchouc sont bien enfoncés dans les orifices de vidange situés à l'arrière de l'appareil afin d'éviter toute fuite d'eau. fuites d'eau.
10. Vidangez l'appareil avant de le déplacer ou de le ranger.
11. Ne faites pas fonctionner l'appareil si le couvercle arrière est retiré.
12. N'utilisez pas cette machine à l'extérieur.
13. Ne modifiez aucune partie de ce produit.
14. N'utilisez pas cet appareil à d'autres fins que celles pour lesquelles il a été conçu.
15. Cette unité n'est pas conçue pour être utilisée par de jeunes enfants. 18. Cet appareil utilise une fiche avec un fusible intégré. Effectuez une vérification de la fiche d'alimentation avant de l'utiliser pour confirmer un fonctionnement normal.

Lisez et comprenez entièrement ce guide d'utilisation avant d'utiliser ou de faire fonctionner l'appareil.

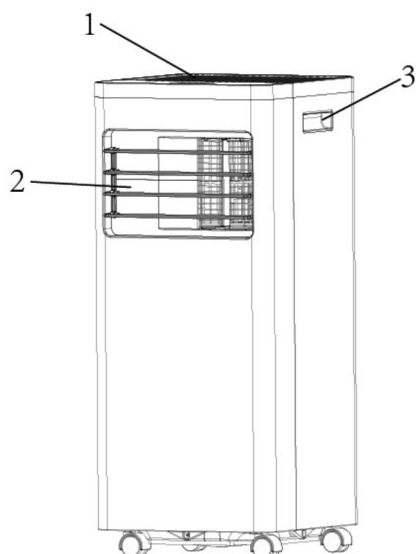
SURVOL DU PRODUIT

UNITÉ

1. **Panneau de contrôle**

2. **Lamelles réglables**

3. **Poignée**



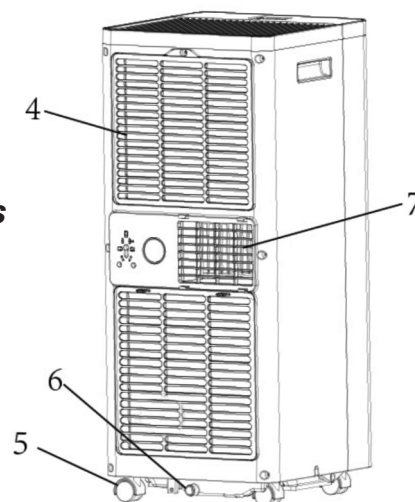
UNITÉ

4. **Filtre à air (entrée)**

5. **Roues pivotantes**

6. **Trou de drainage**

7. **Conduit d'échappement**



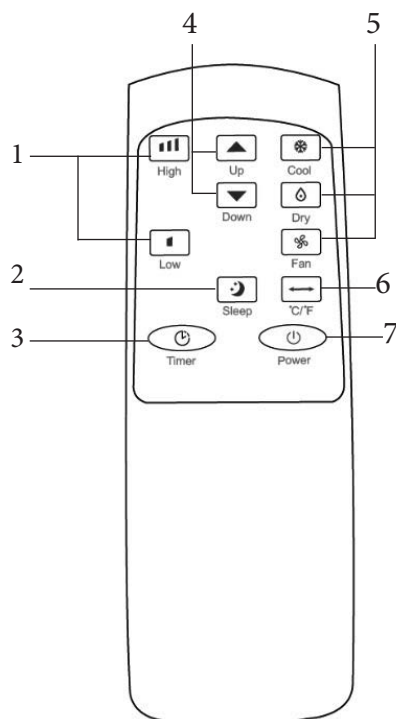
TÉLÉCOMMANDE

1. **MODE ÉLEVÉ/FAIBLE**

2. **Sleep Mode**

3. **Minuterie (en/hors fonction)**

4. **Mode haut/bas**



5. **Mode (frais/sec/ventilation)**

6. **Mode (°C/ °F)**

7. **Alimentation (en/hors fonction)**

DÉBALLAGE

Accessoires inclus :

1. Échappement



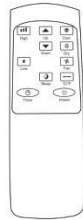
2. Raccord de tuyau



3. Connecteur de fenêtre



4. Télécommande



5. Trousse de fenêtre



Important:

Pour éviter tout dommage après un déplacement, déballez l'appareil et laissez-le reposer à la verticale pendant au moins 2 heures. Si l'appareil a été accidentellement placé sur le côté, laissez-le se redresser pendant au moins 24 heures avant de l'utiliser.

EMPLACEMENT

1. Placez l'appareil sur une surface ferme et plane, dans un endroit où il y a au moins 50 cm d'espace libre autour de lui pour permettre une bonne circulation de l'air. La prise électrique utilisée doit être conforme aux exigences locales en matière de sécurité électrique.
2. Ne pas utiliser l'appareil à proximité de murs, rideaux ou autres objets qui pourraient bloquer l'entrée et la sortie d'air de l'appareil. l'entrée et la sortie d'air de l'appareil.
3. Maintenez l'entrée et la sortie d'air libres de tout obstacle.

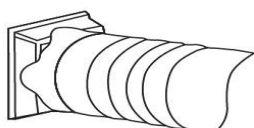
N'installez **jamais** l'appareil dans un endroit où il pourrait être exposé à des risques :

- Les sources de chaleur telles que les radiateurs, les bouches de chaleur, les poêles ou autres produits qui produisent de la de la chaleur.
- Lumière directe du soleil
- Vibrations ou chocs mécaniques
- Poussière excessive
- Manque de ventilation, par exemple à côté d'une armoire ou d'une bibliothèque
- Surface inégale

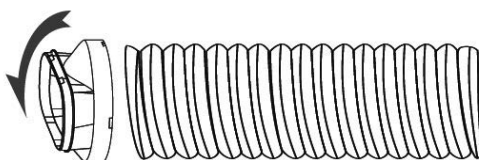
INSTALLATION

Le climatiseur doit être ventilé à l'extérieur pour que l'air évacué puisse sortir de la pièce. Ne pas remplacer ou prolonger le tuyau d'évacuation au-delà de ses spécifications. Cela entraînera une diminution de l'efficacité de l'unité et peut entraîner l'arrêt de l'unité en raison d'une faible contre-pression.

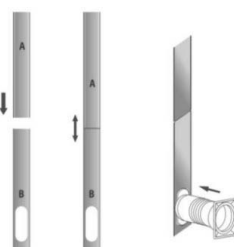
ÉTAPE 1 : Raccordez le connecteur de tuyau à une extrémité du tuyau d'échappement.



ÉTAPE 2 : Raccordez l'adaptateur de la trousse de fenêtres à l'autre extrémité du tuyau d'échappement.

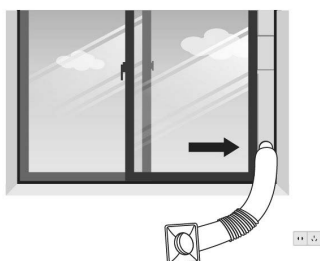


ÉTAPE 3 : Allongez la trousse de fenêtre réglable de la longueur de votre fenêtre. Raccordez le tuyau d'évacuation à la trousse de fenêtre. La trousse de fenêtre peut être installée horizontalement ou verticalement. La trousse de fenêtre peut être réglée de 0,65 à 1,2 m (25,6 à 47,2 po). Le tuyau d'évacuation peut être réglable de 9,4 po à 59 po (240-1 500 mm).

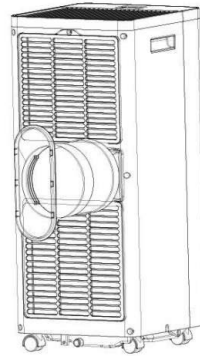


ÉTAPE 4 : Ouvrez la fenêtre et placez la trousse de fenêtre sur le bord intérieur de la fenêtre. Ajustez la plaque d'étanchéité de la fenêtre à la largeur de la fenêtre. Une fois qu'elle est bien fixée, fermez la fenêtre pour la verrouiller en place.

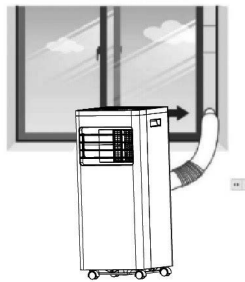
Remarque : Selon le type de cadre de la fenêtre, pour certaines installations de fenêtre, l'utilisation de ruban adhésif en toile peut être idéale pour mieux sceller la fenêtre. peut être idéal pour mieux sceller la trousse de fenêtre afin d'obtenir un meilleur joint fermé qui donnera une efficacité maximale.



ÉTAPE 5 : Fixez le connecteur du tuyau à la sortie d'air vicié de l'unité.



ÉTAPE 6 : Ajustez la longueur du tuyau flexible d'évacuation. Évitez les coudes dans le tuyau et assurez-vous que l'appareil est près de la prise électrique. L'appareil se trouve près d'une prise électrique.



FONCTIONNEMENT

AVANT DE BRANCHER L'APPAREIL À UNE SOURCE D'ALIMENTATION :

1. Laissez l'appareil en position verticale pendant au moins 2 heures. Cela réduira les risques de dysfonctionnement dans le système de refroidissement.
2. Assurez-vous que les bouchons de vidange en caoutchouc sont bien enfoncés dans les orifices de vidange situés à l'arrière de l'appareil afin d'éviter toute fuite d'eau. l'arrière de l'appareil pour éviter toute fuite d'eau.
3. Assurez-vous que le tuyau d'évacuation et la trousse de fenêtre ont été installés correctement et qu'ils sont correctement ventilés.

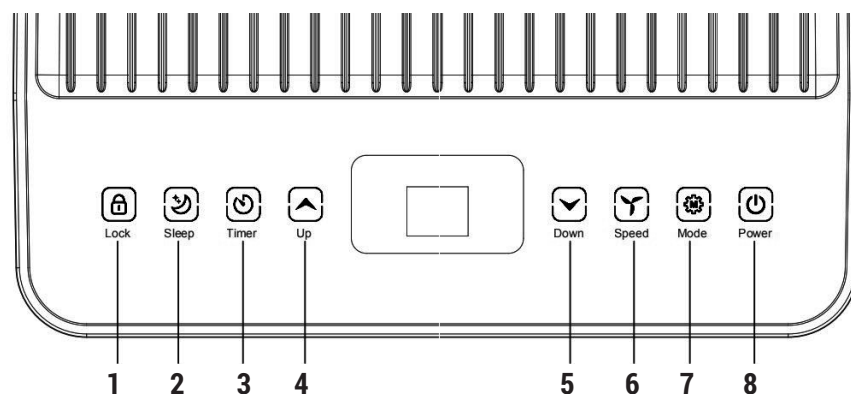
Effectuez une vérification de la prise électrique :

1. Appuyez sur la touche RESET du cordon d'alimentation.
2. Branchez le cordon sur une prise électrique.
3. Appuyez sur la touche TEST du cordon d'alimentation. Le bouton RESET doit apparaître.
4. Appuyez sur la touche RESET pour l'utiliser.
5. N'utilisez pas le climatiseur si le test échoue.

REMARQUES

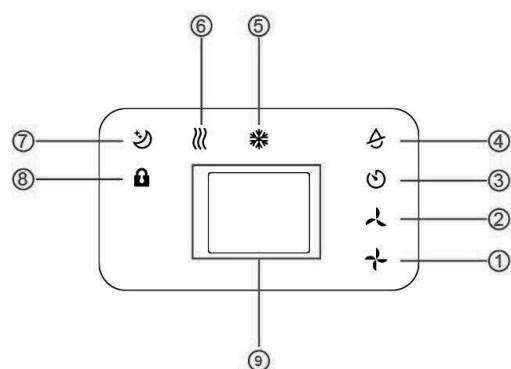
1. Si vous éteignez le climatiseur et que vous le redémarrez immédiatement, attendez 3 minutes pour que le compresseur recommence à refroidir. 3 minutes pour que le compresseur recommence à refroidir. En cas de panne de courant, attendez 3 minutes avant de redémarrer l'appareil. l'appareil.
2. L'appareil vendu aux États-Unis est réglé sur Fahrenheit. Celsius.

PANNEAU DE L'UNITÉ



	Appuyez sur la touche pour activer/désactiver la fonction de sécurité enfant.
	Appuyez sur la touche pour activer/désactiver le mode veille.
	Appuyez sur la touche pour régler une heure de démarrage ou d'arrêt automatique de l'appareil.
	Appuyez sur la touche pour augmenter la température souhaitée et/ou pour régler la minuterie.
	Appuyez sur la touche pour diminuer la température désirée et/ou pour régler la minuterie.
	Appuyez sur la touche pour changer la vitesse du ventilateur entre HIGH et LOW.
	Appuyez sur la touche pour basculer le mode de fonctionnement entre le mode ventilateur, refroidissement et déshumidification.
	Appuyez sur la touche pour mettre l'appareil en ou hors fonction.

SYMBOLS



1. Vitesse élevée du ventilateur **6. Mode de ventilation**

2. Vitesse faible du ventilateur

7. Mode veille

3. Minuterie

8. Mode verrouillage

4. Mode déshumidificateur

9. Mode fenêtre d'affichage

5. Mode de refroidissement

MODE DU VENTILATEUR

Utilisation du panneau de commande

Appuyez sur la touche "Mode" ventilateur jusqu'à ce que le mode ventilateur soit sélectionné. Le voyant du ventilateur clignote pendant quelques secondes et devient fixe une fois le mode sélectionné. secondes et deviendra fixe une fois réglé. En mode ventilateur, seul l'appareil fait circuler l'air, le compresseur de l'appareil étant éteint. compresseur est éteint. Pour passer du réglage haut au réglage bas, appuyez sur le bouton de vitesse. Pour contrôler la direction du flux d'air, réglez manuellement les lamelles en utilisant la poignée des grilles.

Utilisation de la télécommande

Appuyez sur la touche "Fan". Le témoin lumineux du ventilateur clignote pendant quelques secondes et devient fixe lorsqu'il est réglé. Pour passer du réglage élevé au réglage faible, appuyez sur la touche haut ou bas approprié.

Mode de déshumidification

Utilisation du panneau de commande

Appuyez sur la touche du mode déshumidification jusqu'à ce que le mode ventilateur soit sélectionné. Le témoin lumineux du déshumidificateur clignote pendant quelques secondes et devient fixe une fois le mode sélectionné. En mode déshumidification, seul le ventilateur fonctionne à basse vitesse et la température n'est pas réglable.

Utilisation de la télécommande

Appuyez sur la touche "Dry". Le témoin lumineux du ventilateur clignote pendant quelques secondes et devient fixe lorsqu'il est réglé.

Remarque importante : En mode déshumidification, l'utilisateur peut envisager l'option de drainage continu. Reportez-vous aux sections Précautions de sécurité, entretien et vidange en continu de ce guide d'utilisation.

Mode de refroidissement

Utilisation du panneau de commande

Appuyez sur la touche "Cooling Mode" jusqu'à ce que le mode de refroidissement soit sélectionné. Appuyez sur les icônes haut ou bas pour régler la température souhaitée. L'écran affiche la température actuellement réglée. Pour passer du réglage élevé au réglage bas, appuyez sur la touche de vitesse.

Remarque importante : Pour un fonctionnement optimal, raccourcissez la longueur du conduit d'air et tenez l'appareil à l'écart de la lumière directe du soleil. Pour contrôler la direction du flux d'air, réglez manuellement les lamelles à l'aide de la poignée.

Utilisation de la télécommande

Appuyez sur la touche "Cool". Le témoin lumineux "Cool" clignote pendant quelques secondes et devient fixe lorsqu'il est réglé. Pour passer du réglage élevé au réglage bas, appuyez sur les touches approprié. Pour modifier la température, appuyez sur les touches haut/bas.

Fonction de verrouillage des enfants

Ce bouton se trouve sur l'unité elle-même. Lorsqu'elle est enfoncée, cette fonction verrouille le climatiseur dans le mode dans lequel il fonctionne actuellement. En mode verrouillage, vous ne pouvez pas changer de mode à partir de l'écran ou de la télécommande jusqu'à ce qu'il soit déverrouillé. Pour faire fonctionner l'appareil, appuyez sur la touche "Child Lock" et maintenez-la enfoncée. Le voyant à DEL de l'icône de verrouillage sur le panneau de commande s'allume pour indiquer que l'appareil est en mode verrouillage. Pour désactiver la fonction de verrouillage des enfants, appuyez sur le bouton de verrouillage des enfants et maintenez-le enfoncé. L'icône de verrouillage s'éteint sur le panneau de commande.

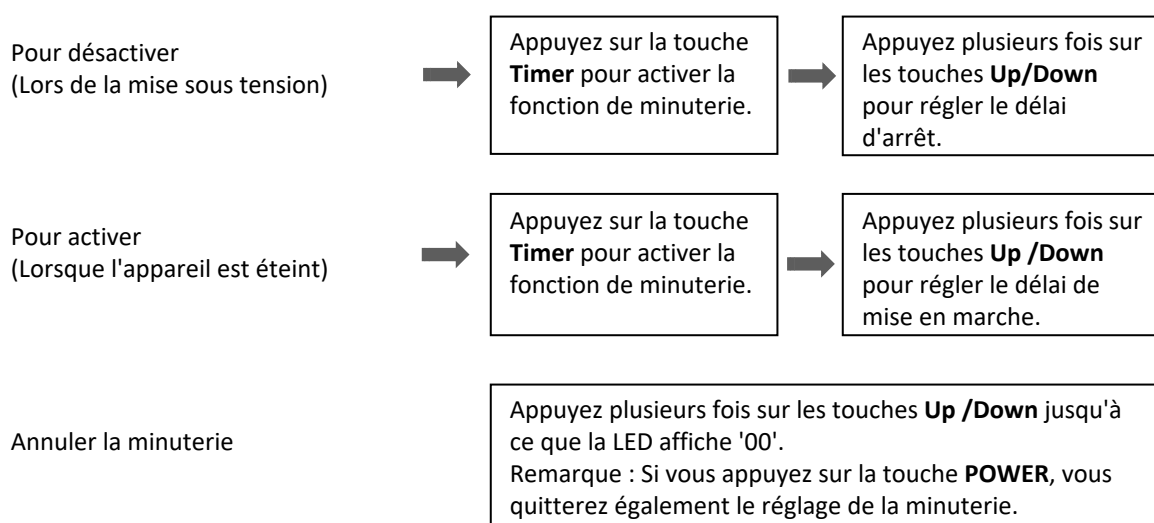
Mode de veille

Utilisation du panneau de commande

Appuyez sur l'icône de veille pour passer en mode veille. Le mode veille ne peut être utilisé que lorsque l'appareil est en mode de refroidissement. En mode veille, le ventilateur fonctionne à faible vitesse. En mode veille, le ventilateur fonctionne à basse vitesse. 1 heure, la température pré-réglée augmente de 1°C, puis de nouveau de 1°C toutes les heures.

Minuterie

La fonction de minuterie a deux types de fonctionnement (Minuterie OFF et Minuterie ON).



PRÉCAUTIONS DE SÉCURITÉ, ENTRETIEN ET DRAINAGE EN CONTINU

Dégivrage automatique

Dégivrage automatique

Par mesure de sécurité, cet appareil est équipé d'une fonction de dégivrage automatique. Lorsque la température ambiante, du givre peut s'accumuler sur l'évaporateur pendant le fonctionnement. Pour assurer le fonctionnement idéal de l'appareil, la fonction de dégivrage automatique intégrée à l'appareil s'active. automatiquement le dégivrage et le voyant à DEL POWER clignote.

La fonction de dégivrage automatique fonctionne en mode refroidissement. En mode de refroidissement, si le capteur de température ambiante de l'unité détecte que la température du serpentin de l'évaporateur est inférieure à -1°C, le compresseur s'arrête de fonctionner pendant 10 minutes. Lorsque le capteur de température du serpentin détecte 7 °C, l'unité redémarre en mode de refroidissement.

Protection contre la surcharge

En cas de coupure de courant, pour protéger le compresseur, il y a un délai de 3 minutes jusqu'à ce que le compresseur redémarre.

Drainage (déshumidification)

Cet appareil est doté d'un dispositif de drainage auto-évaporant. Dans des conditions de fonctionnement normales, la fonction d'auto-évaporation de l'unité fonctionnera sans problème ni entretien. Cependant, dans des conditions d'humidité élevée, vous devrez peut-être évacuer manuellement l'eau de l'unité. (Erreur Ft) Vous pouvez également choisir l'option de drainage continu, qui évacue automatiquement l'eau de l'unité. (en mode déshumidificateur)

Pour vidanger manuellement

1. Mettez l'appareil hors tension et débranchez la prise de courant.
2. Placez un bac à eau sous l'orifice de drainage situé au bas de l'appareil pour recueillir l'eau.
3. Retirez le bouchon de drainage en caoutchouc et laissez l'eau s'écouler.
4. Remettez le bouchon lorsque l'eau de drainage ne s'écoule plus.

Pour une évacuation continue dans un siphon de sol

Pour un fonctionnement similaire à celui d'un déshumidificateur autonome, vous pouvez choisir d'utiliser l'option de drainage continu :

- Coupez l'alimentation de l'appareil et débranchez-le.
- Retirez le bouchon de l'orifice de sortie d'eau.
- Fixez le tuyau de vidange. Assurez-vous que le tuyau est droit, sans nœud et qu'il n'est pas obstrué.
- Placez l'autre extrémité du tuyau d'évacuation dans un siphon de sol.
- Remettez le bouchon d'étanchéité en caoutchouc après l'utilisation pour éviter les fuites.



Retirez le bouchon d'étanchéité en caoutchouc.



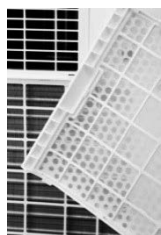
Tuyau de vidange continu.

NETTOYAGE DU FILTRE À AIR

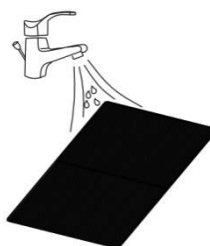
Le filtre doit être nettoyé environ toutes les deux semaines pour maintenir un débit d'air correct.

Important : Ne faites pas fonctionner l'appareil sans filtre à air, sinon l'évaporateur risque d'être contaminé.

1. Appuyez sur le bouton POWER pour éteindre l'appareil. Débranchez l'appareil de la prise électrique.
2. Retirez la maille du filtre de l'unité.
3. Utilisez un aspirateur ou une brosse pour nettoyer le filtre à air.
4. Retournez le filtre et rincez le filtre à air à l'eau courante. Mettez le filtre à air de côté et laissez-le et laissez-le sécher complètement à l'air libre avant de le réinstaller.



Éteignez et débranchez l'appareil.
Retirez les deux filtres à air pour les nettoyer.



Rincez le filtre à air sous l'eau courante.

ENTREPOSAGE

Si vous n'avez pas l'intention d'utiliser l'appareil pendant une période prolongée (plus de quelques semaines) il est préférable de nettoyer l'appareil et le faire sécher complètement. L'appareil doit être maintenu en position verticale lorsqu'il est entreposé.

1. Débranchez l'appareil et retirez le tuyau d'évacuation et la trousse de fenêtre stockés avec l'appareil.
2. Videz l'eau restante de l'appareil.
3. Nettoyez le filtre et laissez-le sécher complètement.
4. Réinstallez le filtre.
5. Conservez la machine dans un endroit ventilé, sec, sans gaz corrosif et sûr à l'intérieur.

DÉPANNAGE

Symptôme		Vérifiez	Solution
L'unité ne fonctionne pas		Vérifiez la connexion.	Insérez fermement la fiche dans la prise murale.
		Vérifiez si l'eau est pleine.	Videz le bac de vidange en retirant le bouchon en caoutchouc. Reportez-vous à la section sur la vidange par évaporation automatique de ce guide d'utilisation.
		Vérifiez la température de la pièce.	La plage de température de fonctionnement est de 5 à 35°C (41-95°F).
L'unité fonctionne avec une capacité réduite		Vérifiez si le filtre à air a besoin d'être nettoyé.	Nettoyez le filtre à air.
		Vérifiez si le boyau d'entrée d'air est bloqué.	Retirez ce qui obstrue le boyau.
		Vérifiez si une porte ou une fenêtre de la pièce est ouverte là où l'unité fonctionne.	Maintenez la porte et les fenêtres fermés.
		Vérifiez si le mode de fonctionnement souhaité est sélectionné et si la température est correctement réglée.	Réglez le mode et la température aux réglages appropriés.
		Le tuyau d'échappement est détaché.	Assurez-vous que le tuyau d'échappement est attaché solidement.
Fuite d'eau		Débordement lors du déplacement de l'appareil.	Videz le réservoir d'eau avant le transport. Reportez-vous à la section sur le vidange par auto-évaporation du guide d'utilisation.
		Vérifiez si le tuyau de vidange est plié ou écrasé.	Redressez le tuyau pour éviter la formation d'un bouchon.
Bruit excessif		Vérifiez si l'unité est positionnée de manière sécuritaire.	Assurez-vous que l'unité repose sur un emplacement plat et solide.
		Vérifiez pour des pièces lâches ou qui vibrent.	Solidifiez et serrez toute pièce lâche.
		Sons d'eau qui bouge.	Le bruit provient du réfrigérant qui se déplace.
Codes d'erreur	E0	Défauts de communication entre le PCB principal et le circuit imprimé d'affichage PCB.	Vérifiez que le faisceau de câbles du circuit imprimé de l'affichage n'est pas endommagé.
	E1	Défaillance du capteur de température ambiante.	Vérifiez la connexion ou remplacez-la. Nettoyez ou remplacez le capteur de température. Contactez le service clientèle de Royal Sovereign.
	E2	Défaillances du capteur de température de la bobine.	Vérifiez la connexion ou remplacez-la. Nettoyez ou remplacez le capteur de température. Contactez le service clientèle de Royal Sovereign.
	Ft	Alarme de niveau élevé de l'eau de condensation.	Videz le bac de vidange en retirant le bouchon en caoutchouc. Reportez-vous à la section sur le vidange par auto-évaporation du guide d'utilisation.

SPÉCIFICATIONS

Attributes

BTU : 8 000 BTU ASHRAE (5 000 BTU SACC)

Taille de la pièce : 27,8 m² (300 pieds carrés)

Fonctions : Refroidir, ventiler, déshumidifier

Affichage numérique à DEL : Oui

Télécommande incluse : Oui

Lamelles manuels à 4 voies : Oui

Vitesses du ventilateur : 2

Minuterie 24 heures : Oui

Mode veille : Oui

Redémarrage automatique : Oui

Plage du thermostat : 16-32°C / 61-90°F

Réglage °C/°F sélectionnable : Oui

Affichage de la température : Oui

Volume du flux d'air : 300 m³/h

Élimination de l'eau : Évaporation automatique

Capacité de déshumidification /Jour : 19,8 L / 41,8 pintes

Son : Faible <52 dB, élevé <54 dB

Trousse de fenêtre inclus : Oui, trousse du cadre réglable de 25,6 po-47,2 po (0,65-1,2 m),

tuyau 9,4 po -59 po (240-1 500 mm)(240-1 500 mm)

Réfrigérant : R410A

Alimentation électrique : 120 V/60 Hz

Consommation électrique : 800W, 7.1A

Dimensions et poids

Dimensions de l'unité (l x p x h)

315 x 310 x 700 mm (12,4 po x 12,2 po x 27,6 po)

Poids de l'appareil : 19,1 kg (42 lb)



AVERTISSEMENT

MISE AU REBUT

Le rejet de réfrigérant dans l'atmosphère est strictement interdit !

Ne pas jeter les appareils électriques avec les déchets municipaux non triés. collecte sélective. 

Contactez votre administration locale pour obtenir des informations sur les systèmes de collecte disponibles. Si les appareils électriques sont mis au rebut dans des décharges ou des décharges, des substances dangereuses peuvent s'infiltrer dans la nappe phréatique et entrer dans la chaîne alimentaire, nuisant ainsi à votre santé et à votre bien-être.



* Toutes les spécifications mentionnées sont dans des conditions de test, les performances réelles dépendent des conditions ambiantes.

GARANTIE LIMITÉE D'UN AN

Royal Sovereign International, Inc. garantit que ce produit est exempt de tout défaut de matériau et de fabrication. et de fabrication à l'acheteur d'origine, comme indiqué ci-dessous.

Pièces : Remplacement des pièces défectueuses pendant 1 an à compter de la date d'achat du client.

Compressor : Garantie de 3 ans à partir de la date d'achat du client. Royal Sovereign fournira un compresseur de remplacement (pièces seulement), sans frais.

Main d'oeuvre : 1 an à partir de la date d'achat par l'utilisateur final.

Cette garantie ne couvre que les produits correctement installés, entretenus et utilisés conformément aux instructions fournies. conformément aux instructions fournies. Cette garantie limitée ne couvre pas les défaillances ou les difficultés de fonctionnement dues à l'usure normale. difficultés de fonctionnement dues à une usure normale, un accident, un abus, une mauvaise utilisation, une altération, une mauvaise application, d'une installation inadéquate ou d'une maintenance ou d'un service inadéquats de votre part ou de celle d'un tiers.

Les produits retournés ne seront pas acceptés sans un numéro d'autorisation de retour. Pour demander un numéro d'autorisation de retour, veuillez nous rendre visite à l'adresse www.royalsovereign.com. Tous les frais de transport pour le retour Tous les frais de transport pour le retour de produits ou de pièces endommagés seront à la charge de l'acheteur. Retournez le produit défectueux, dans l'emballage d'origine, à l'adresse ci-dessous.

Royal Sovereign International, Inc. (et ses sociétés affiliées) exige une preuve raisonnable de la date de votre d'achat auprès d'un détaillant ou d'un distributeur agréé. Par conséquent, vous devez conserver votre reçu, votre facture ou votre chèque annulé. chèque annulé de l'achat initial. La garantie limitée se limitera à la réparation ou au remplacement des pièces qui s'avèrent défectueuses dans des conditions normales d'utilisation et d'entretien pendant la période de garantie.

Royal Sovereign International, Inc. (et ses sociétés affiliées) N'AURA AUCUNE RESPONSABILITÉ À L'ACHETEUR OU À UN TIERS POUR TOUT DOMMAGE SPÉCIAL, INDIRECT, PUNITIF, ACCESSOIRE OU CONSÉCUTIF. Certains états n'autorisent pas l'exclusion ou la limitation des dommages indirects. Certains États n'autorisent pas l'exclusion ou la limitation des dommages indirects ou consécutifs, de sorte que l'exclusion et les limitations ci-dessus peuvent ne pas s'appliquer à votre cas.

ROYAL SOVEREIGN INTERNATIONAL, INC.

2 Volvo Drive Rockleigh, NJ 07647 USA

TEL : (201) 750-1020

info@royalsovereign.com

www.royalsovereign.com

RS INTERNATIONAL CANADA INC.

191 Superior Blvd., Mississauga, ON L5T 2L6 CANADA

TEL: (905) 461-1095

e-mail: ca.support@royalsovereign.com

www.royalsovereign.ca

Pour toute question relative au support produit et à la garantie, veuillez visiter le www.royalsovereign.com/customer-support.html