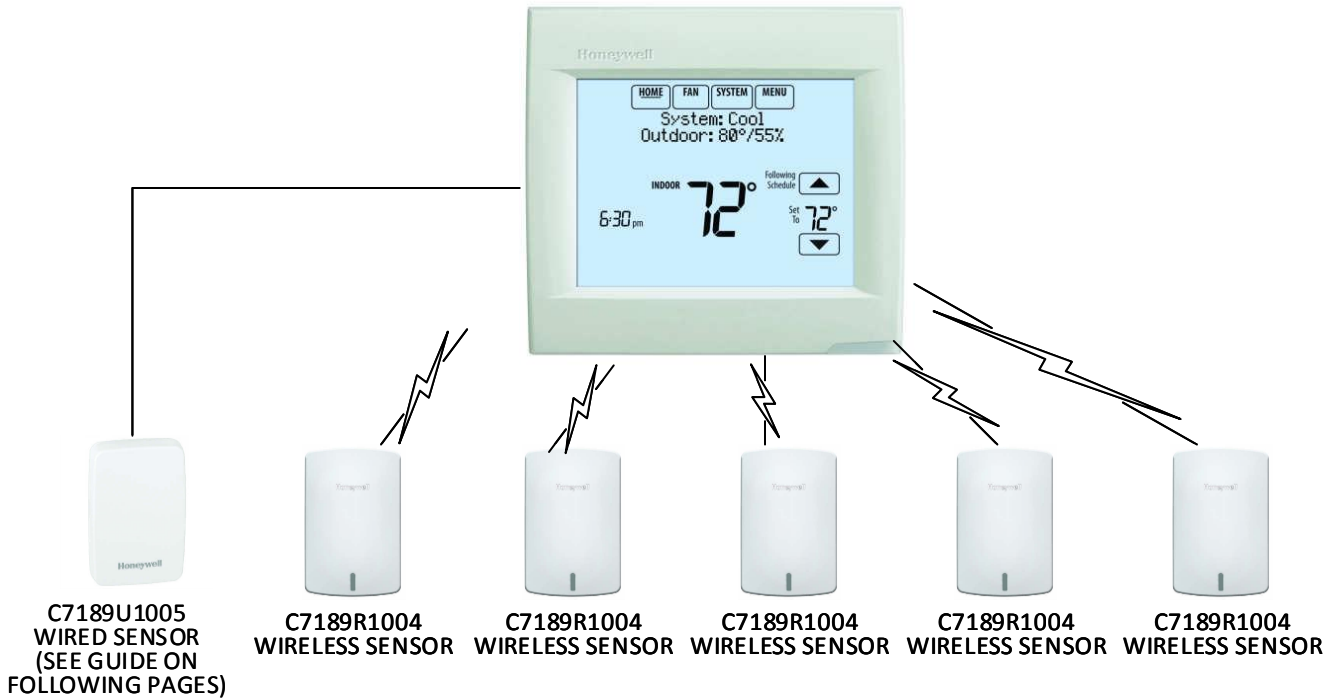
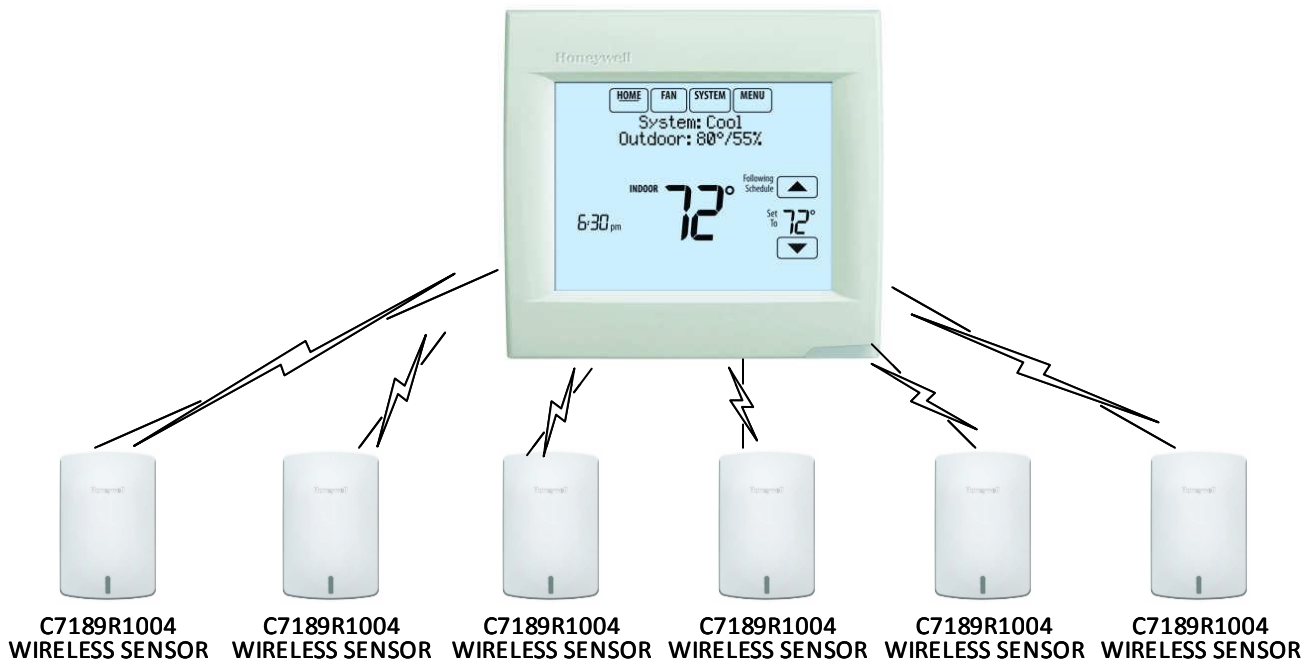


# TH8320R REMOTE SENSORS



*OR*

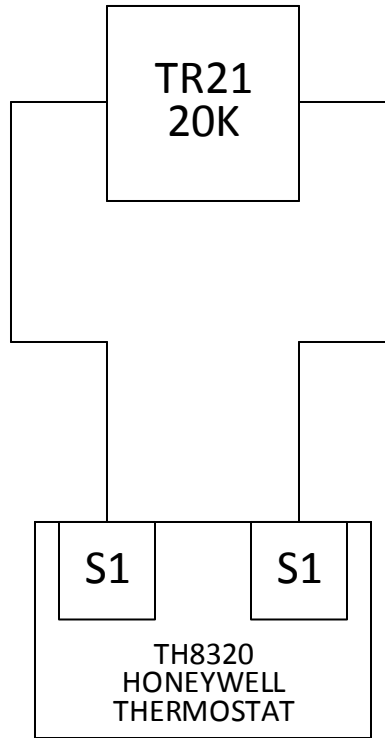


PROJECT:	SENSOR WIRING		
DRAWING TITLE:	TH8320R REMOTE SENSORS		
SALES ENGR:	JIM PENNOYER		
CONTRACTOR:	BUILDING CONTROLS GROUP	SHEET: 1 of 14	DATE: 2/14/17
DRAWN: JMP	FILE: Z:\HELP SHEETS\THERMOSTAT SENSOR AVERAGING\THERMOSTAT SENSOR AVERAGING.VSDX		

**BUILDING CONTROLS GROUP**  
SUPPLY • SUPPORT • SOLUTIONS

(651)289-1310  
On line at [BUILDINGCONTROLSGROUP.COM](http://BUILDINGCONTROLSGROUP.COM)

# 1 SENSOR / COMMERCIAL APPLICATION



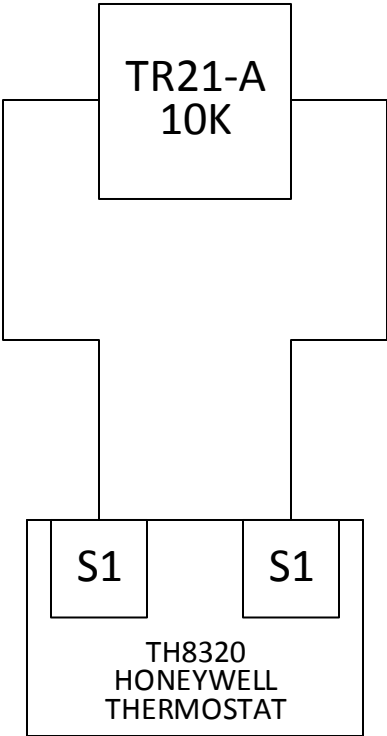
Set thermostat for  
Commercial Application.  
Indoor Sensor = 20K

PROJECT:	SENSOR WIRING		
DRAWING TITLE:	1 SENSOR / COMMERCIAL APPLICATION		
SALES ENGR:	JIM PENNOYER		
CONTRACTOR:	BUILDING CONTROLS GROUP	SHEET: 2 of 14	DATE: 2/14/17
DRAWN: JMP	FILE: Z:\HELP SHEETS\THERMOSTAT SENSOR AVERAGING\THERMOSTAT SENSOR AVERAGING.VSDX		



(651) 289-1310  
On line at [BUILDINGCONTROLSGROUP.COM](http://BUILDINGCONTROLSGROUP.COM)

# 1 SENSOR RESIDENTIAL APPLICATION



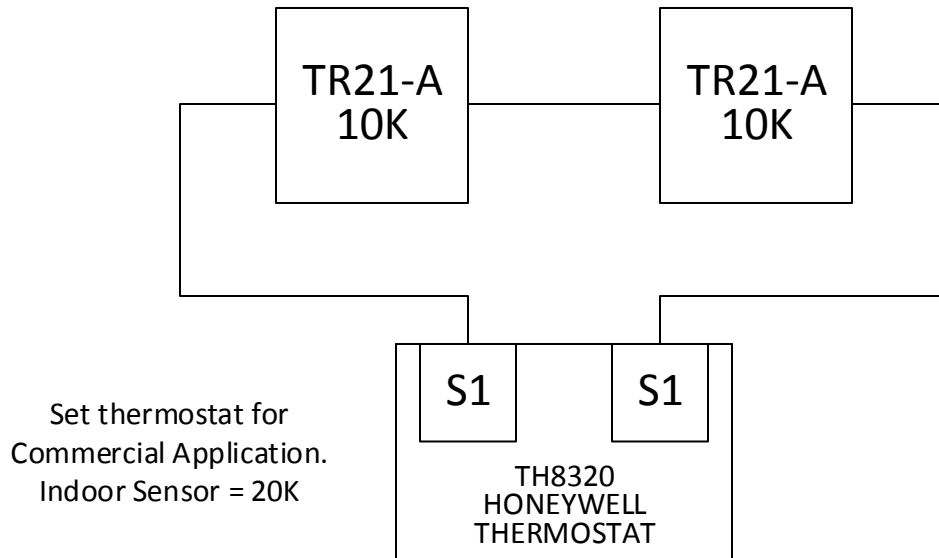
Set thermostat for  
Residential Application.  
Indoor Sensor = 10K

PROJECT:	SENSOR WIRING		
DRAWING TITLE:	1 SENSOR RESIDENTIAL APPLICATION		
SALES ENGR:	JIM PENNOYER		
CONTRACTOR:	BUILDING CONTROLS GROUP	SHEET: 3 of 14	DATE: 2/14/17
DRAWN: JMP	FILE: Z:\HELP SHEETS\THERMOSTAT SENSOR AVERAGING\THERMOSTAT SENSOR AVERAGING.VSDX		



(651) 289-1310  
On line at [BUILDINGCONTROLSGROUP.COM](http://BUILDINGCONTROLSGROUP.COM)

# 2 SENSORS / COMMERCIAL APPLICATION

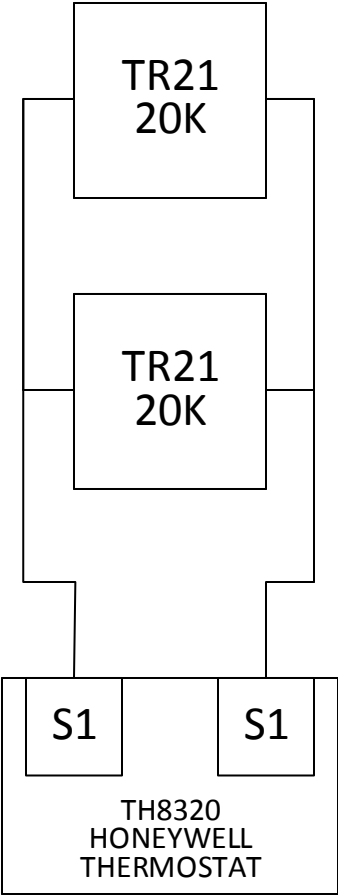


PROJECT:	SENSOR WIRING		
DRAWING TITLE:	2 SENSORS / COMMERCIAL APPLICATION		
SALES ENGR:	JIM PENNOYER		
CONTRACTOR:	BUILDING CONTROLS GROUP	SHEET: 4 of 14	DATE: 2/14/17
DRAWN: JMP	FILE: Z:\HELP SHEETS\THERMOSTAT SENSOR AVERAGING\THERMOSTAT SENSOR AVERAGING.VSDX		



(651) 289-1310  
On line at [BUILDINGCONTROLSGROUP.COM](http://BUILDINGCONTROLSGROUP.COM)

# 2 SENSORS RESIDENTIAL APPLICATION



Set thermostat for  
Residential Application.  
Indoor Sensor = 10K

PROJECT:	SENSOR WIRING		
DRAWING TITLE:	2 SENSORS RESIDENTIAL APPLICATION		
SALES ENGR:	JIM PENNOYER		
CONTRACTOR:	BUILDING CONTROLS GROUP	SHEET: 5 of 14	DATE: 2/14/17
DRAWN: JMP	FILE: Z:\HELP SHEETS\THERMOSTAT SENSOR AVERAGING\THERMOSTAT SENSOR AVERAGING.VSDX		

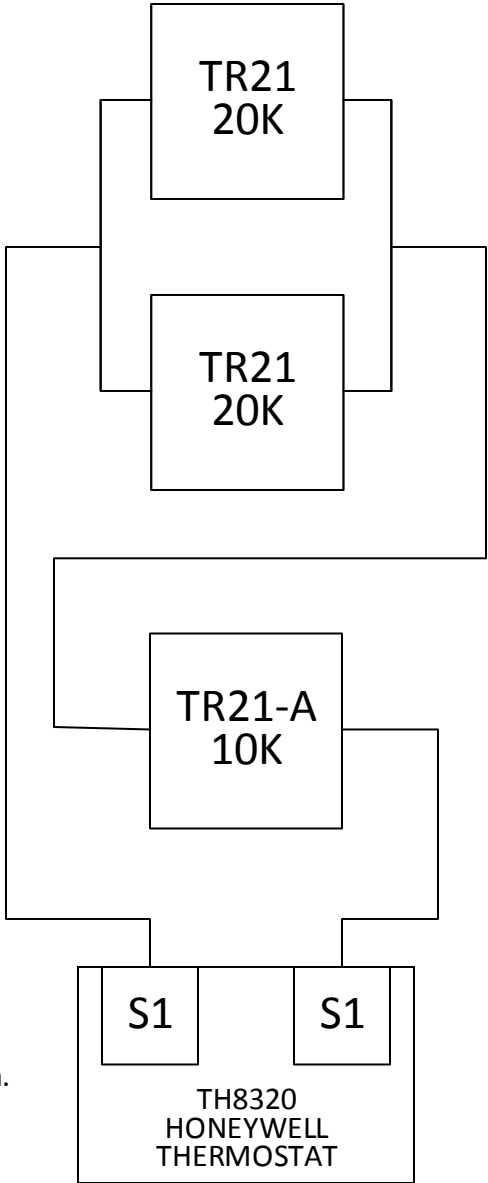


BUILDING  
CONTROLS GROUP

SUPPLY • SUPPORT • SOLUTIONS

(651)289-1310  
 On line at [BUILDINGCONTROLSGROUP.COM](http://BUILDINGCONTROLSGROUP.COM)

# 3 SENSORS / COMMERCIAL APPLICATION



Set thermostat for  
Commercial Application.  
Indoor Sensor = 20K

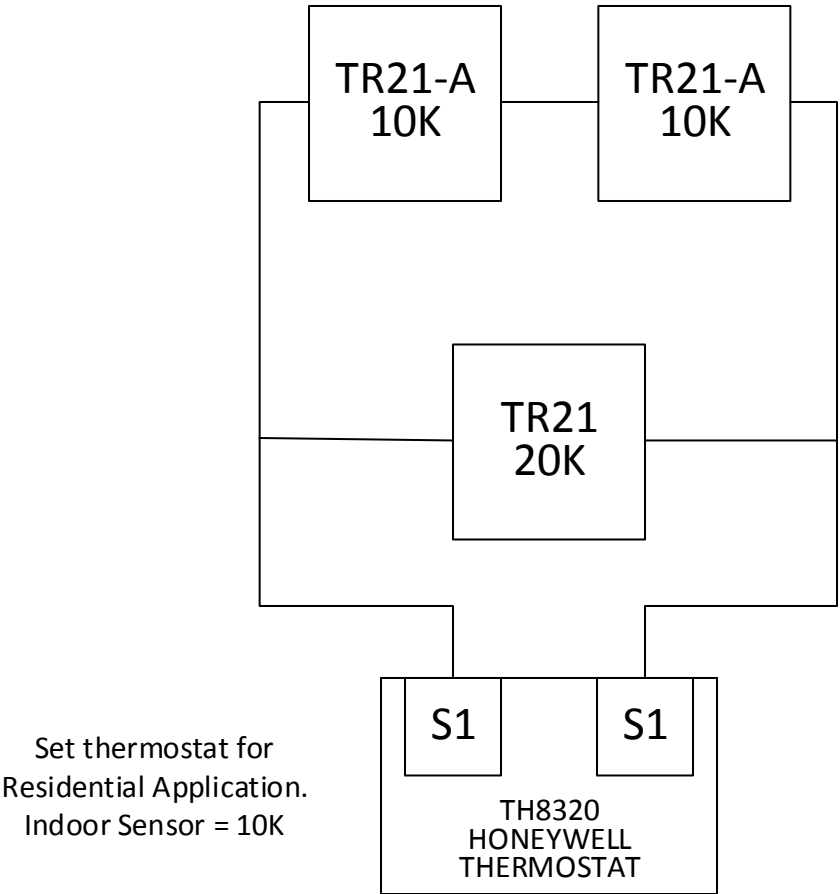
PROJECT:	SENSOR WIRING		
DRAWING TITLE:	3 SENSORS / COMMERCIAL APPLICATION		
SALES ENGR:	JIM PENNOYER		
CONTRACTOR:	BUILDING CONTROLS GROUP	SHEET: 6 of 14	DATE: 2/14/17
DRAWN: JMP	FILE: Z:\HELP SHEETS\THERMOSTAT SENSOR AVERAGING\THERMOSTAT SENSOR AVERAGING.VSDX		



**BUILDING  
CONTROLS GROUP**  
SUPPLY • SUPPORT • SOLUTIONS

(651) 289-1310  
On line at [BUILDINGCONTROLSGROUP.COM](http://BUILDINGCONTROLSGROUP.COM)

# 3 SENSORS RESIDENTIAL APPLICATION

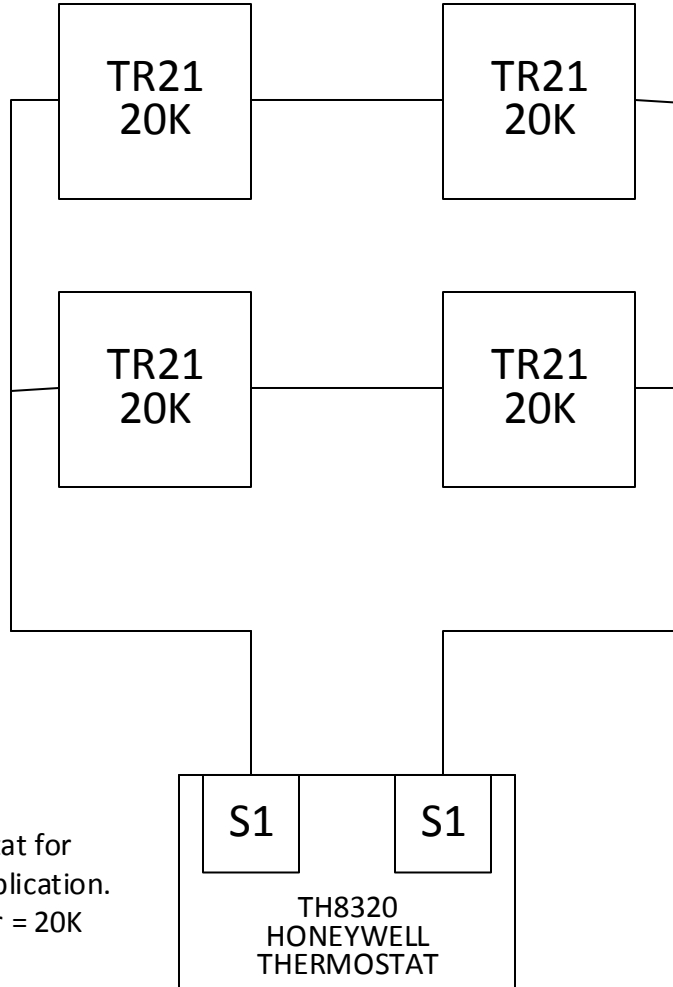


PROJECT:	SENSOR WIRING		
DRAWING TITLE:	3 SENSORS RESIDENTIAL APPLICATION		
SALES ENGR:	JIM PENNOYER		
CONTRACTOR:	BUILDING CONTROLS GROUP	SHEET: 7 of 14	DATE: 2/14/17
DRAWN: JMP	FILE: Z:\HELP SHEETS\THERMOSTAT SENSOR AVERAGING\THERMOSTAT SENSOR AVERAGING.VSDX		

**BUILDING CONTROLS GROUP**  
SUPPLY • SUPPORT • SOLUTIONS

(651) 289-1310  
On line at [BUILDINGCONTROLSGROUP.COM](http://BUILDINGCONTROLSGROUP.COM)

# 4 SENSORS / COMMERCIAL APPLICATION



Set thermostat for  
Commercial Application.  
Indoor Sensor = 20K

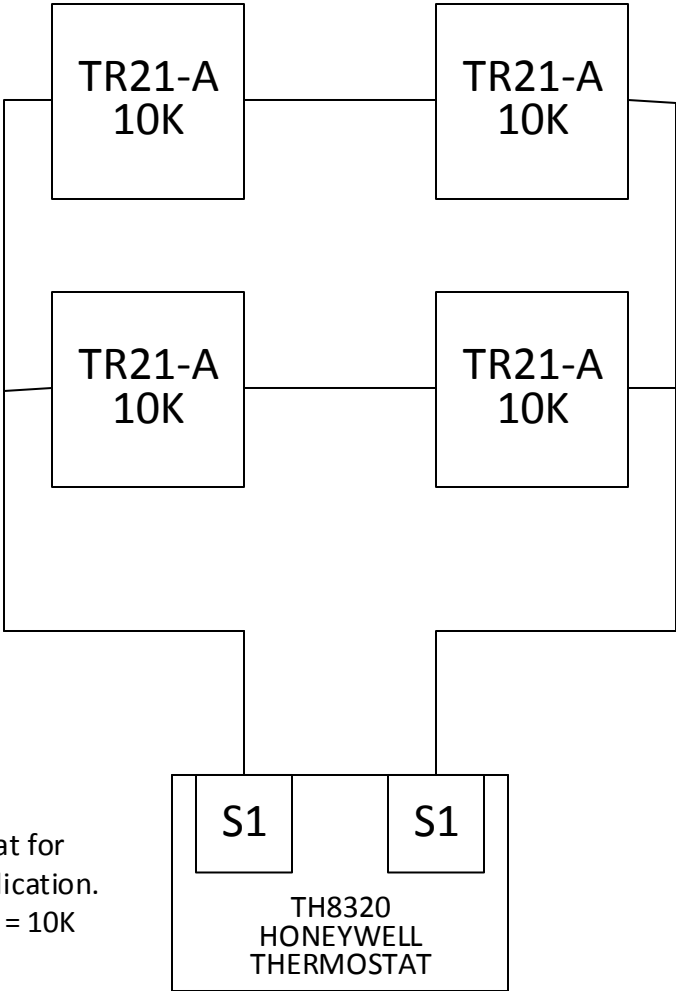
PROJECT:	SENSOR WIRING		
DRAWING TITLE:	4 SENSORS / COMMERCIAL APPLICATION		
SALES ENGR:	JIM PENNOYER		
CONTRACTOR:	BUILDING CONTROLS GROUP	SHEET: 8 of 14	DATE: 2/14/17
DRAWN: JMP	FILE: Z:\HELP SHEETS\THERMOSTAT SENSOR AVERAGING\THERMOSTAT SENSOR AVERAGING.VSDX		



(651) 289-1310  
On line at [BUILDINGCONTROLSGROUP.COM](http://BUILDINGCONTROLSGROUP.COM)



# 4 SENSORS RESIDENTIAL APPLICATION

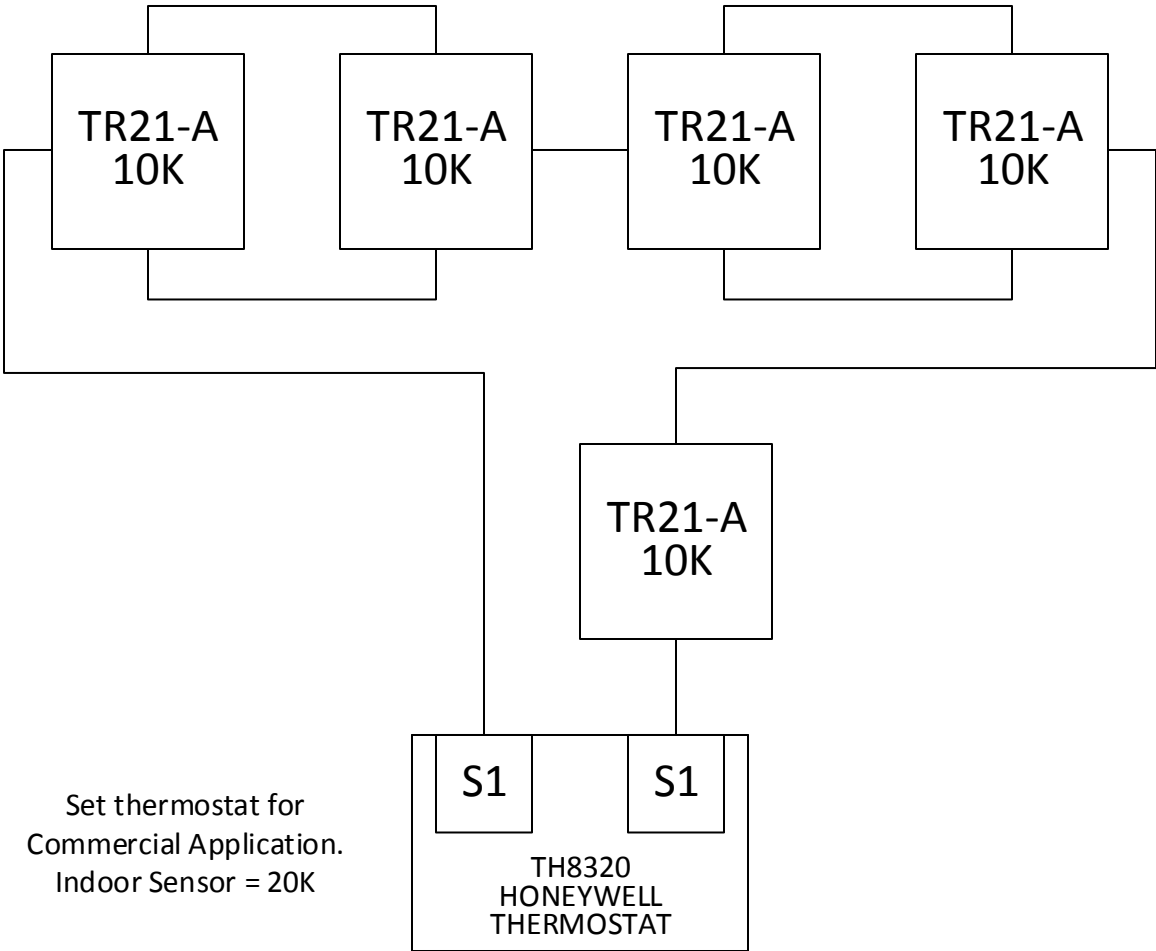


PROJECT:	SENSOR WIRING		
DRAWING TITLE:	4 SENSORS RESIDENTIAL APPLICATION		
SALES ENGR:	JIM PENNOYER		
CONTRACTOR:	BUILDING CONTROLS GROUP	SHEET: 9 of 14	DATE: 2/14/17
DRAWN: JMP	FILE: Z:\HELP SHEETS\THERMOSTAT SENSOR AVERAGING\THERMOSTAT SENSOR AVERAGING.VSDX		

**BUILDING CONTROLS GROUP**  
SUPPLY • SUPPORT • SOLUTIONS

(651) 289-1310  
On line at [BUILDINGCONTROLSGROUP.COM](http://BUILDINGCONTROLSGROUP.COM)

# 5 SENSORS / COMMERCIAL APPLICATION

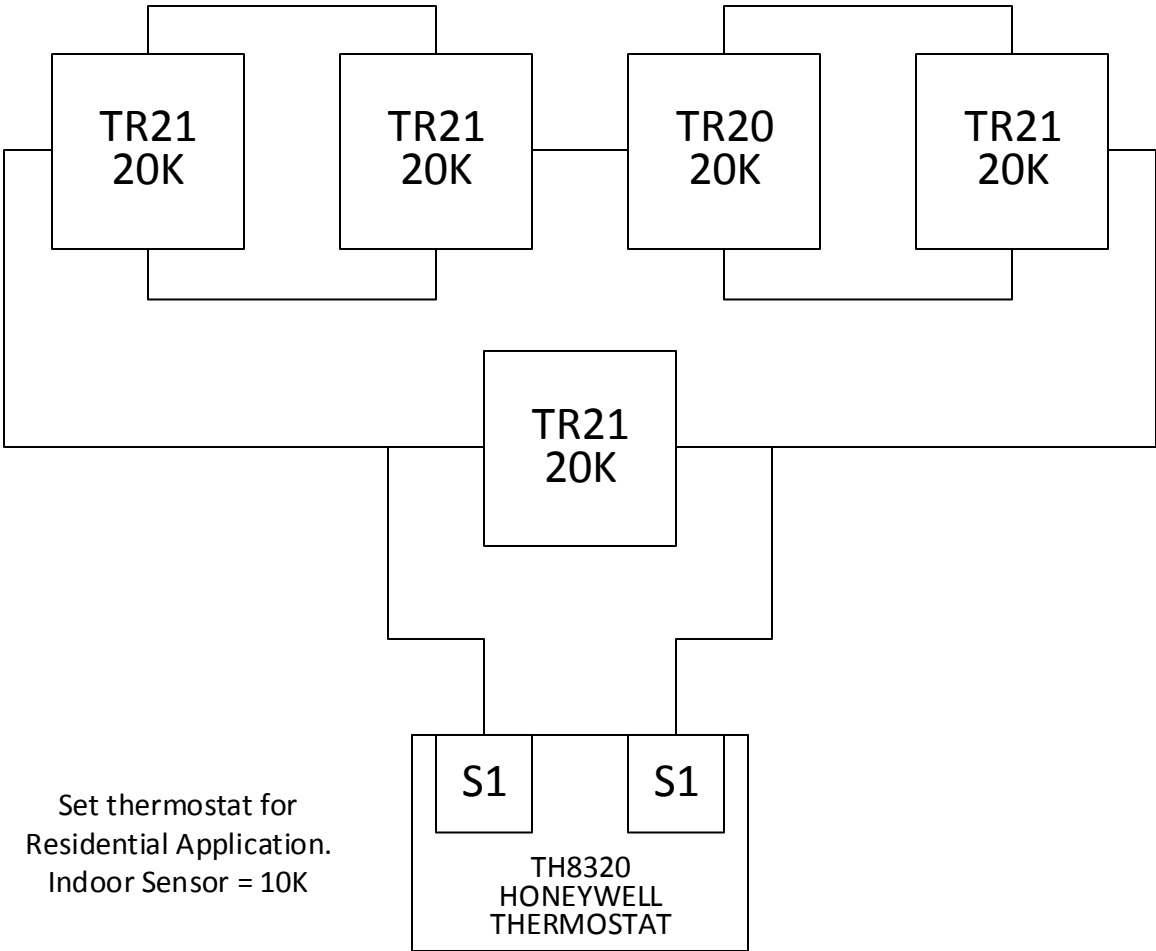


PROJECT:	SENSOR WIRING		
DRAWING TITLE:	5 SENSORS / COMMERCIAL APPLICATION		
SALES ENGR:	JIM PENNOYER		
CONTRACTOR:	BUILDING CONTROLS GROUP	SHEET: 10 of 14	DATE: 2/14/17
DRAWN: JMP	FILE: Z:\HELP SHEETS\THERMOSTAT SENSOR AVERAGING\THERMOSTAT SENSOR AVERAGING.VSDX		

**BUILDING CONTROLS GROUP**  
SUPPLY • SUPPORT • SOLUTIONS

(651) 289-1310  
On line at [BUILDINGCONTROLSGROUP.COM](http://BUILDINGCONTROLSGROUP.COM)

# 5 SENSORS RESIDENTIAL APPLICATION



PROJECT:	SENSOR WIRING		
DRAWING TITLE:	5 SENSORS RESIDENTIAL APPLICATION		
SALES ENGR:	JIM PENNOYER		
CONTRACTOR:	BUILDING CONTROLS GROUP	SHEET: 11 of 14	DATE: 2/14/17
DRAWN: JMP	FILE: Z:\HELP SHEETS\THERMOSTAT SENSOR AVERAGING\THERMOSTAT SENSOR AVERAGING.VSDX		



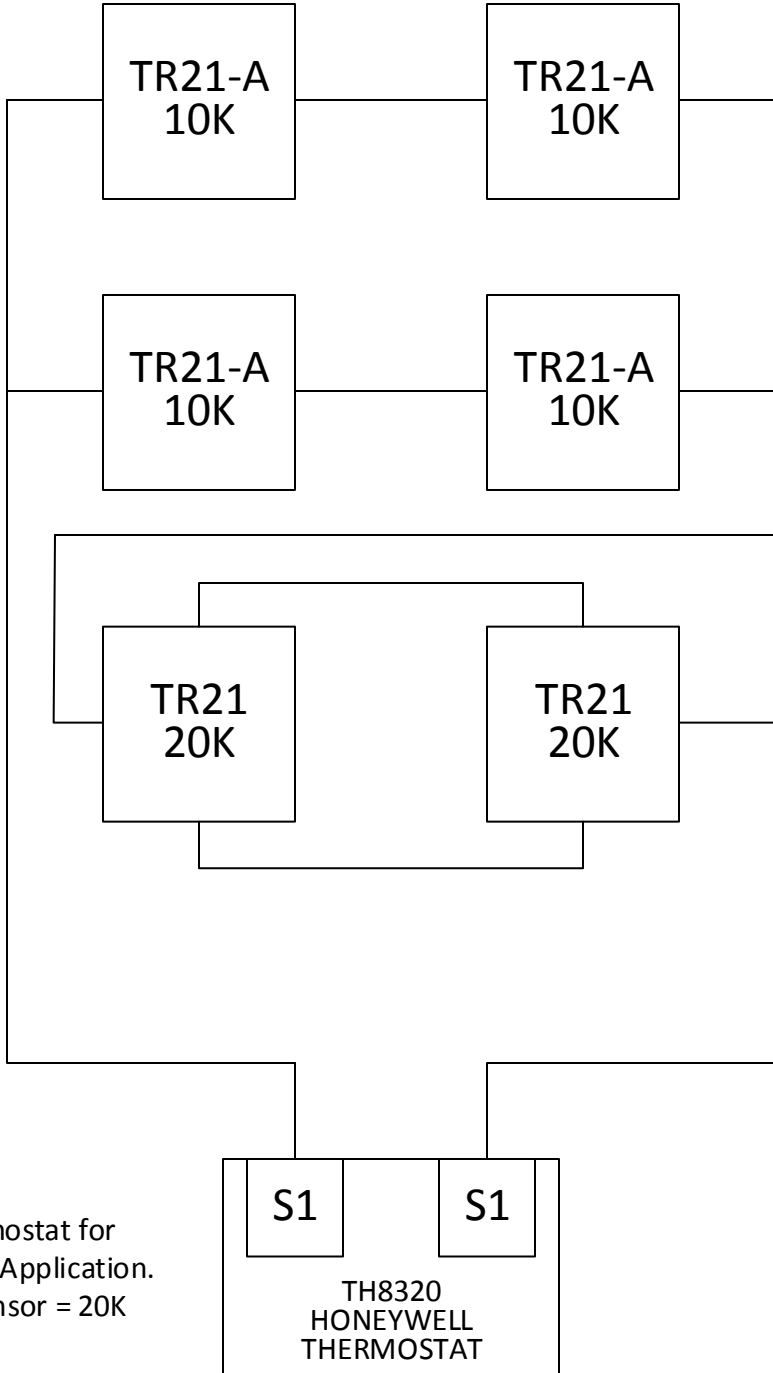
BUILDING  
CONTROLS GROUP

SUPPLY • SUPPORT • SOLUTIONS

(651) 289-1310

On line at [BUILDINGCONTROLSGROUP.COM](http://BUILDINGCONTROLSGROUP.COM)

# 6 SENSORS / COMMERCIAL APPLICATION



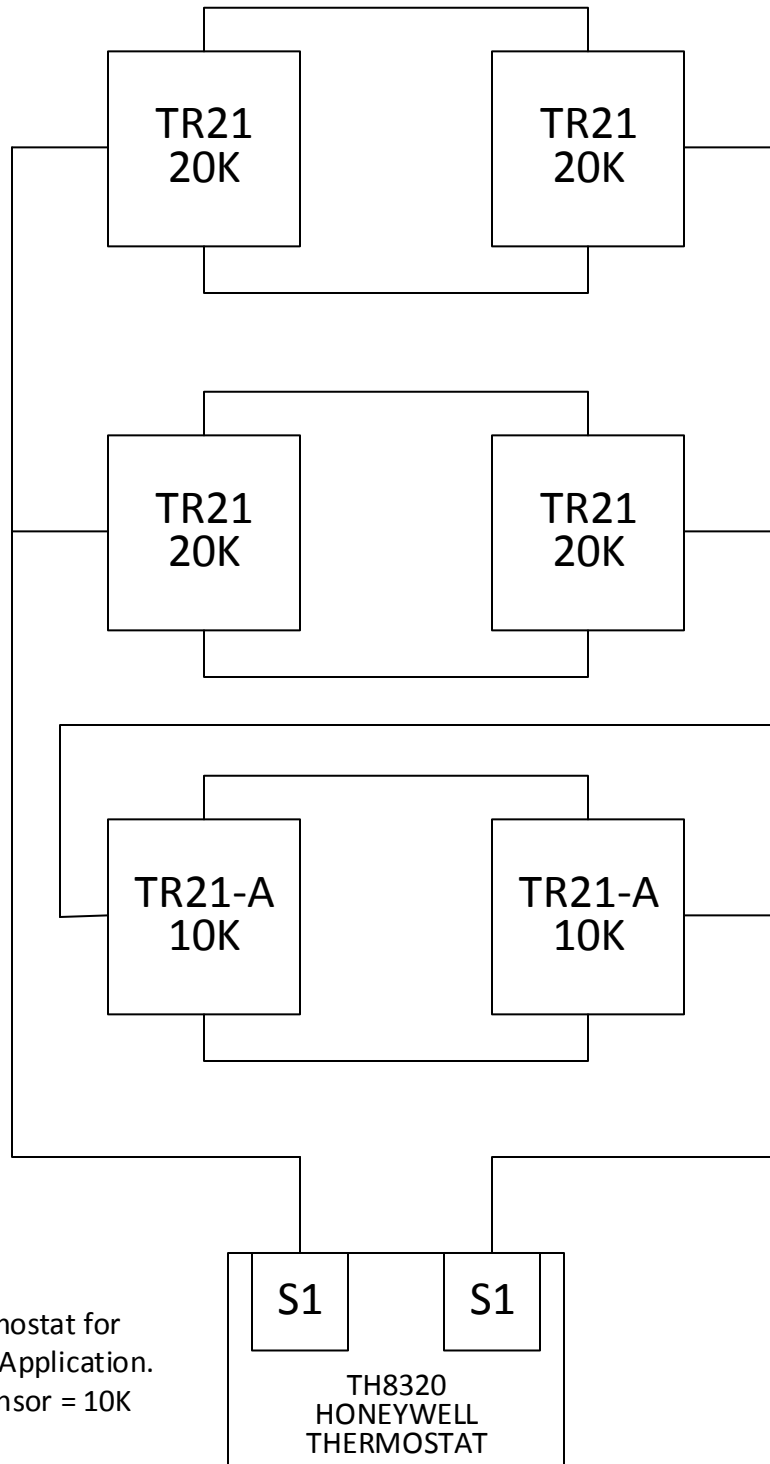
Set thermostat for  
Commercial Application.  
Indoor Sensor = 20K

PROJECT:	SENSOR WIRING		
DRAWING TITLE:	6 SENSORS / COMMERCIAL APPLICATION		
SALES ENGR:	JIM PENNOYER		
CONTRACTOR:	BUILDING CONTROLS GROUP	SHEET: 12 of 14	DATE: 2/14/17
DRAWN: JMP	FILE: Z:\HELP SHEETS\THERMOSTAT SENSOR AVERAGING\THERMOSTAT SENSOR AVERAGING.VSDX		

**BUILDING  
CONTROLS GROUP**  
SUPPLY • SUPPORT • SOLUTIONS

(651) 289-1310  
On line at [BUILDINGCONTROLSGROUP.COM](http://BUILDINGCONTROLSGROUP.COM)

# 6 SENSORS / RESIDENTIAL APPLICATION

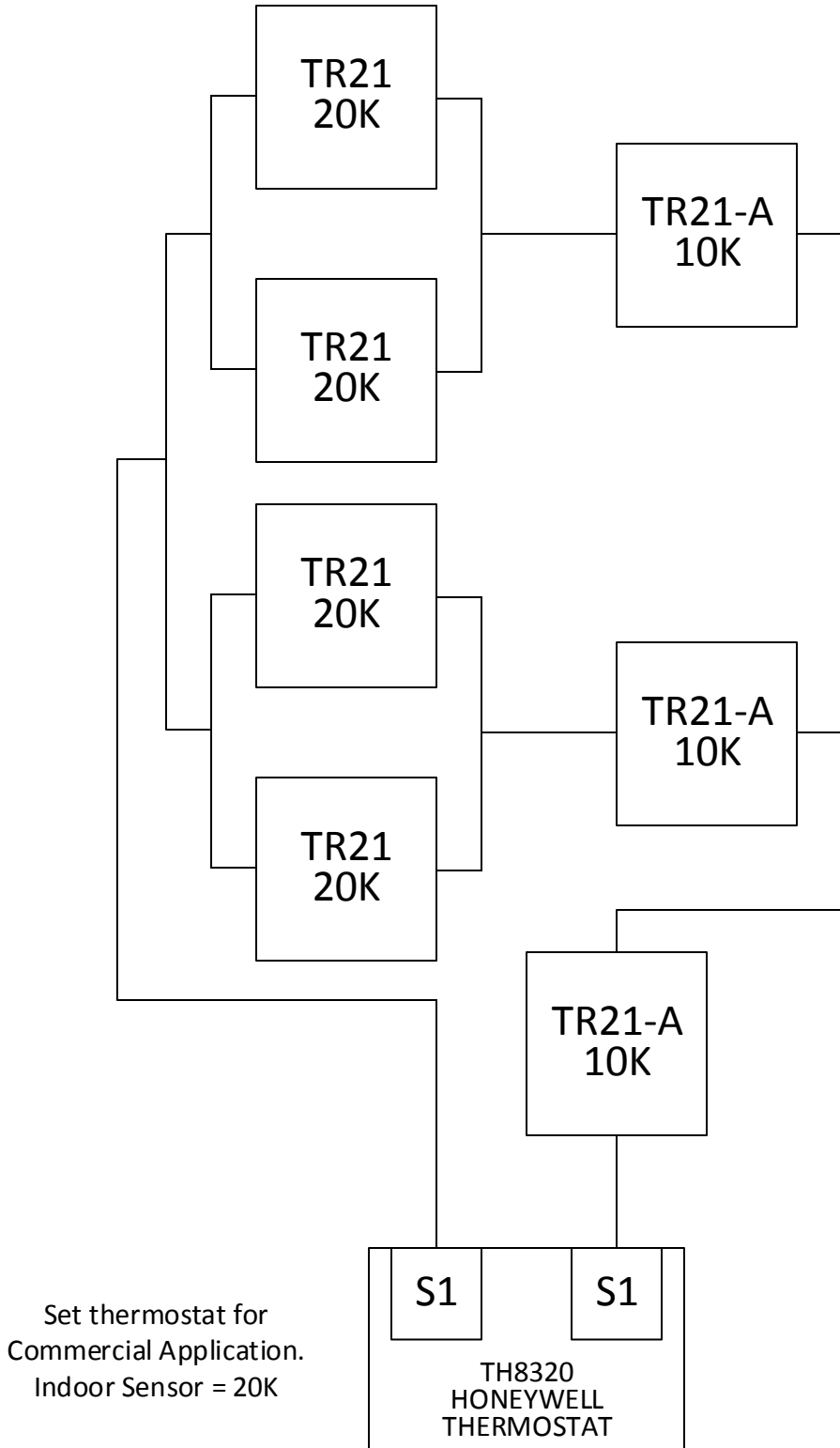


PROJECT:	SENSOR WIRING		
DRAWING TITLE:	6 SENSORS / RESIDENTIAL APPLICATION		
SALES ENGR:	JIM PENNOYER		
CONTRACTOR:	BUILDING CONTROLS GROUP	SHEET: 13 of 14	DATE: 2/14/17
DRAWN: JMP	FILE: Z:\HELP SHEETS\THERMOSTAT SENSOR AVERAGING\THERMOSTAT SENSOR AVERAGING.VSDX		



(651)289-1310  
On line at [BUILDINGCONTROLSGROUP.COM](http://BUILDINGCONTROLSGROUP.COM)

# 7 SENSORS / COMMERCIAL APPLICATION



PROJECT:	SENSOR WIRING		
DRAWING TITLE:	7 SENSORS / COMMERCIAL APPLICATION		
SALES ENGR:	JIM PENNOYER		
CONTRACTOR:	BUILDING CONTROLS GROUP	SHEET: 14 of 14	DATE: 2/14/17
DRAWN: JMP	FILE: Z:\HELP SHEETS\THERMOSTAT SENSOR AVERAGING\THERMOSTAT SENSOR AVERAGING.VSDX		



(651) 289-1310  
On line at [BUILDINGCONTROLSGROUP.COM](http://BUILDINGCONTROLSGROUP.COM)