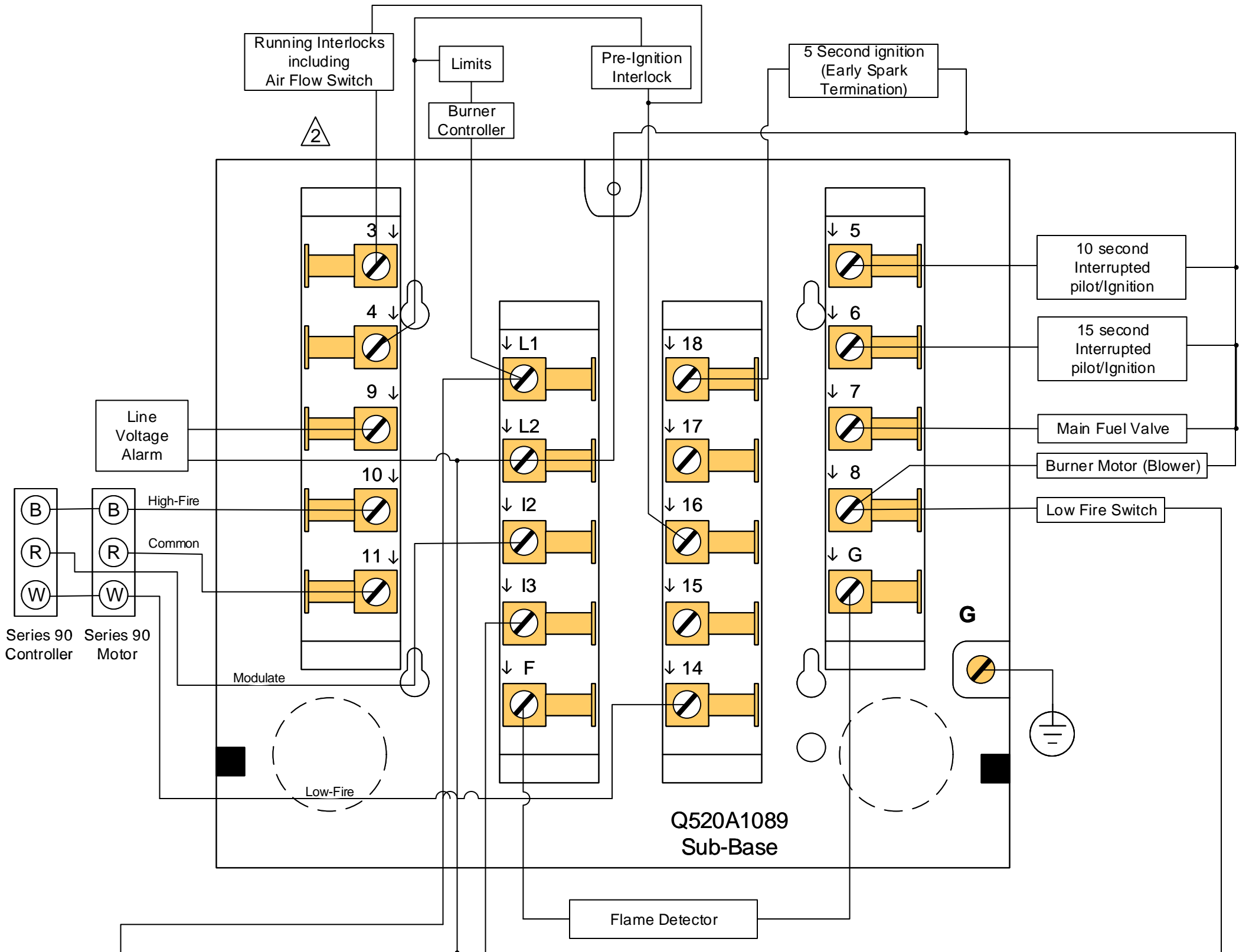
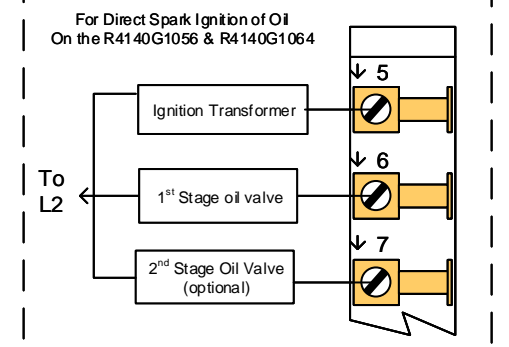
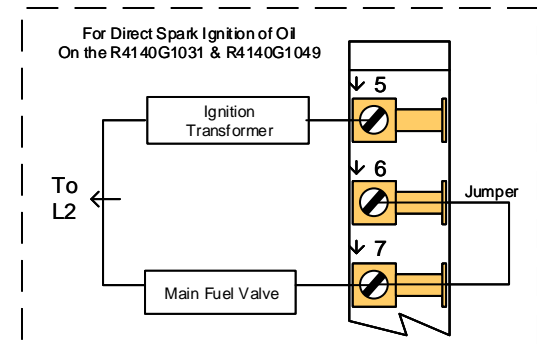


# R4140G1163 to RM7840G1022 Wiring Schematics

See reverse side for RM7840G1022 wiring schematic & conversion table.

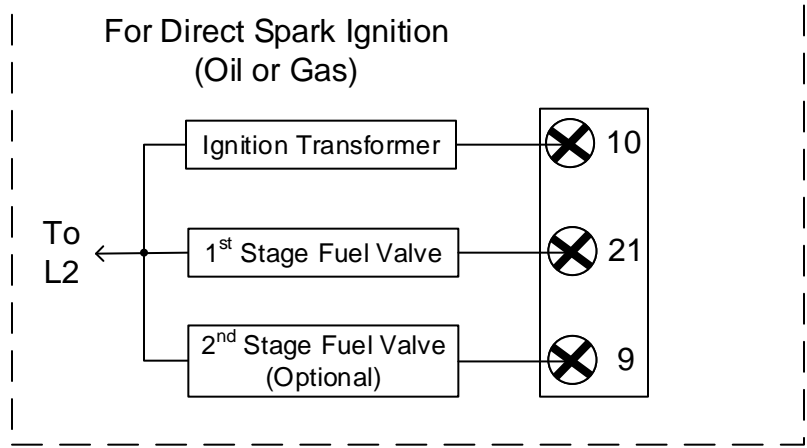
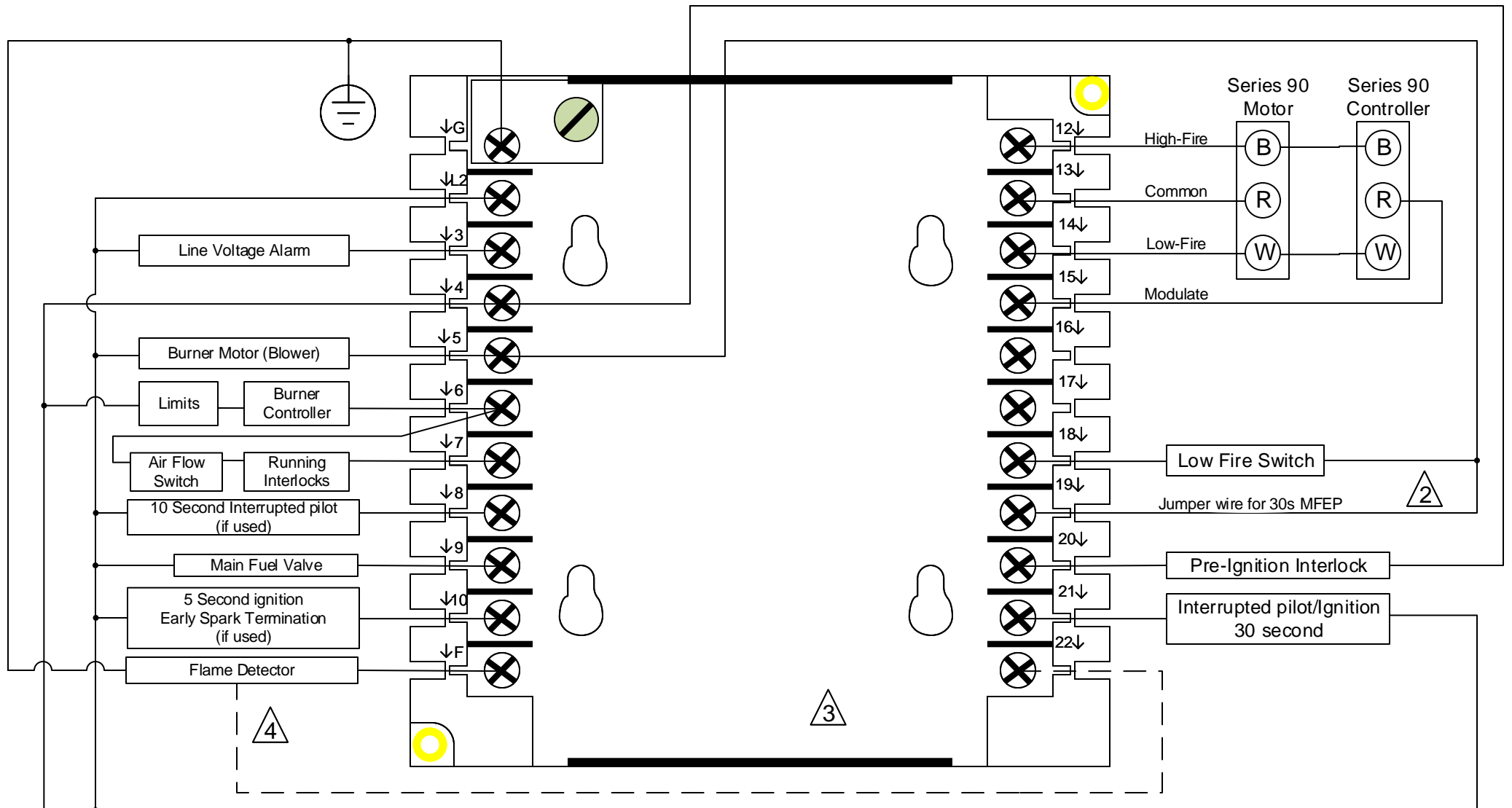


- 120V power supply. Provide disconnect means and overload protection as required.
- Do not connect any wires to unused terminals.
- See flame detection specifications for correct wiring. Clip jumper JR2 if using 3 second flame response time.
- Post Purge is programmed on startup using the ST7800A1142.
- Pre Purge is dependent on which ST7800 timer is installed.
- Provide line voltage input to terminal 18 for intermittent pilot operation.



# RM7840G1022 Wiring Schematic

See reverse side for R4140G wiring schematic



R4140G1163 to RM7840G1022 Conversion wiring chart

R4140G1163 Terminal	RM7840G1022 Terminal
G	Ground
L1	Hot
L1	Burner Controller & Limits
L2	Common
F	Flame Detection
3	Running Interlocks & Air Flow
4	Burner Controller & Limits
4	Pre-ignition Interlocks
5	10 second Interrupted pilot ignition (If used)
6	15 second Interrupted pilot ignition
7	Main Fuel Valve
8	Burner Motor
8	Low-Fire Switch to term 13
9	Line Voltage Alarm
10	Series 90 High Fire
11	Series 90 Common
12	Series 90 Modulate
13	Low Fire Switch to term 8
14	Series 90 Low Fire
16	Pre-Ignition interlocks
16	Running Interlocks & Air Flow
17	Shutter on self checking flame detectors
18	5 Second ignition (Early spark termination)
18	Low-Fire Start Switch to term 5
18	Series 90 High-Fire
18	Series 90 Common
18	Series 90 Modulate
18	Low-Fire Start Switch to term 5
18	Series 90 Low-Fire
18	Pre-Ignition Interlocks
18	Running Interlocks & Air Flow
18	Shutter on self checking flame detectors
18	5 Second ignition (Early spark termination)
19	Jumper wire to term 5 for 30 second MFEP.

- 1 120V power supply. Provide disconnect means and overload protection as required.
- 2 Add jumper for 30 second Main Flame Establishing period (MFEP)
- 3 Do not wire to any unused terminals.
- 4 See flame detector installation instructions for correct wiring.