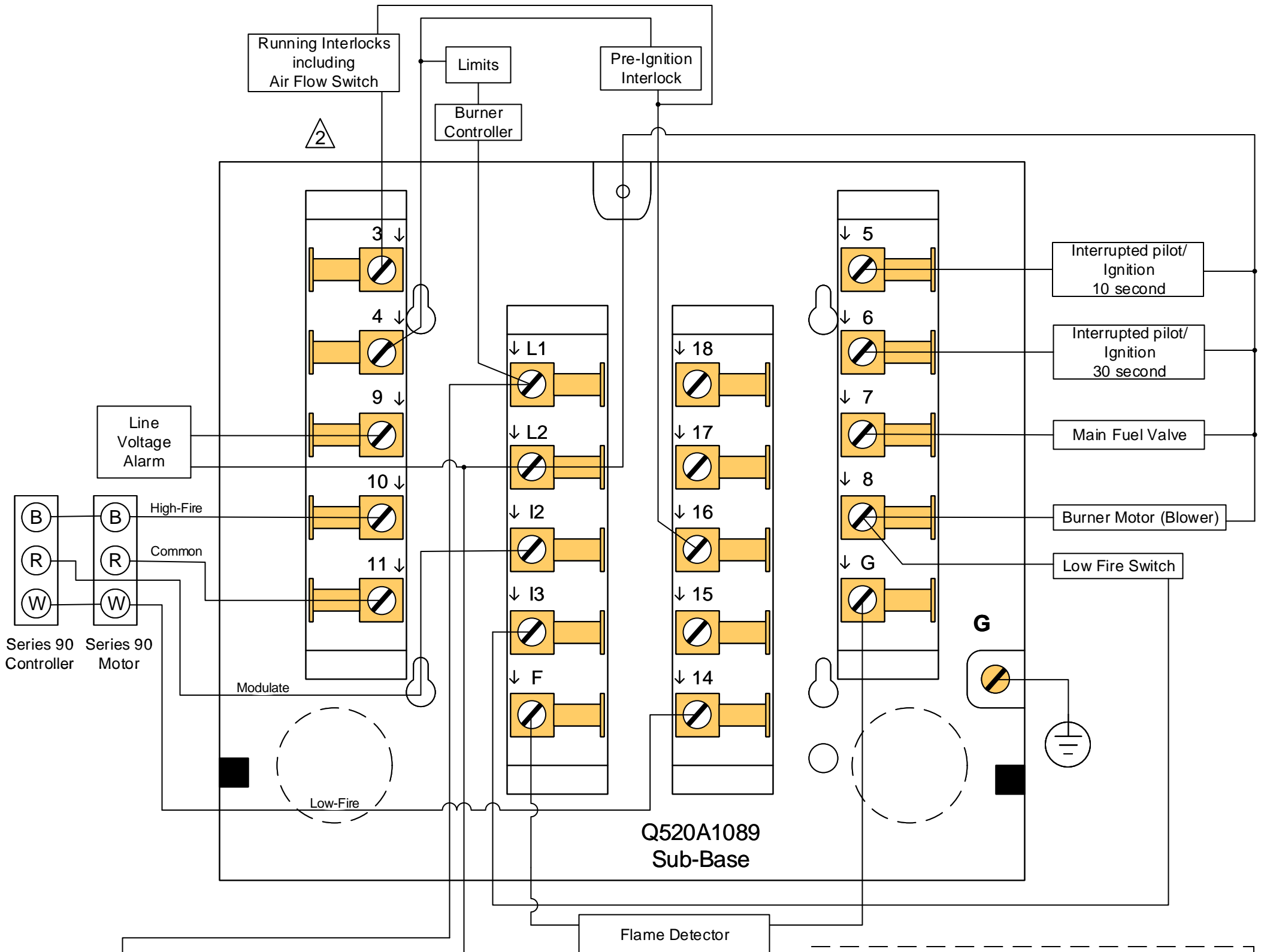
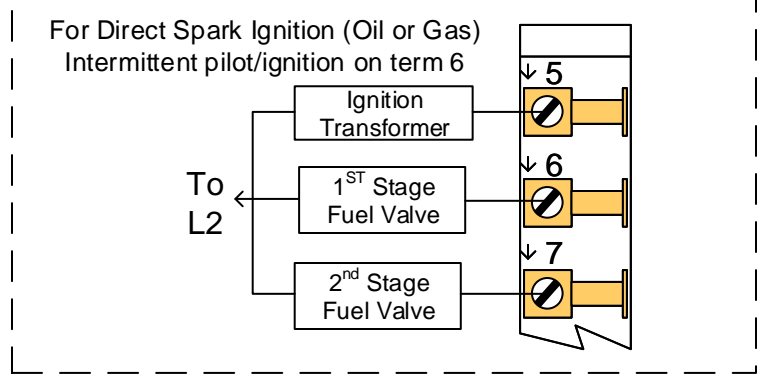
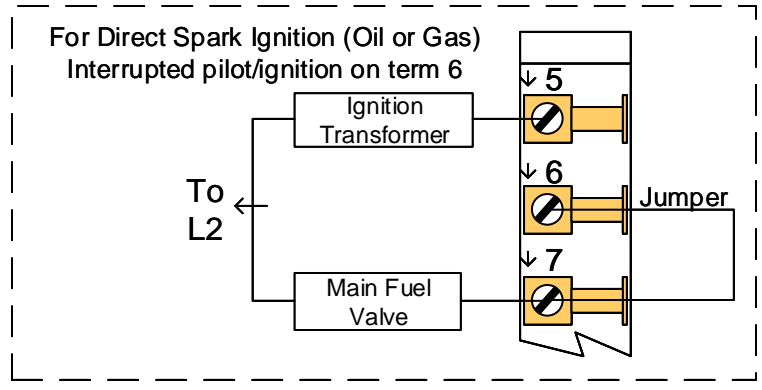


R4140G1148 Wiring Schematic

See reverse side for RM7840G1022 wiring schematic & conversion table.

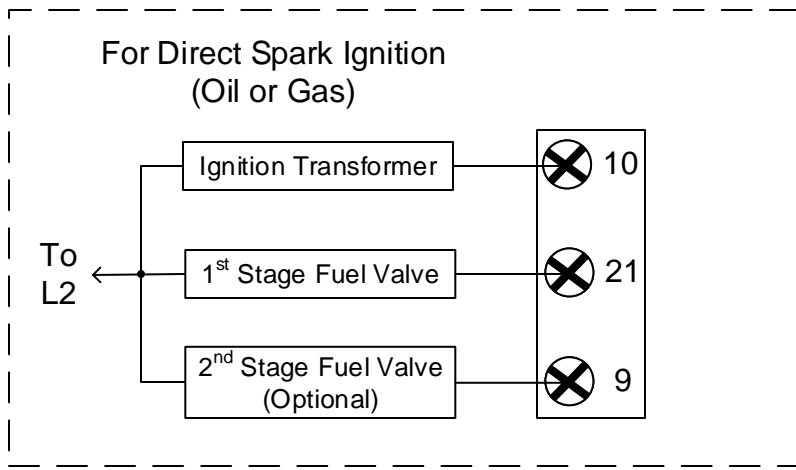
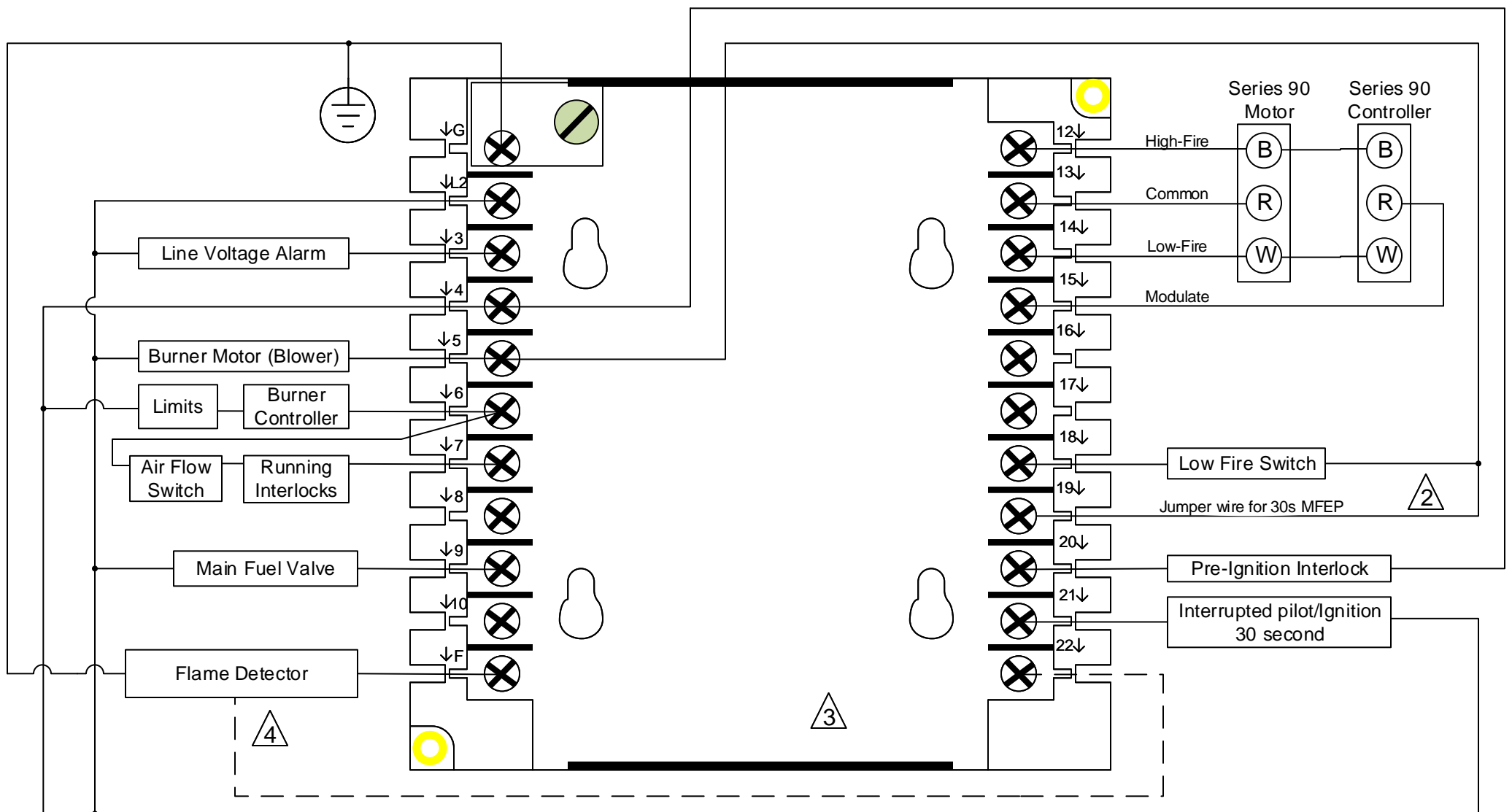


- 1 120V power supply. Provide disconnect means and overload protection as required.
- 2 Do not connect any wires to unused terminals.
- 3 See flame detection specifications for correct wiring. Clip jumper JR2 if using 3 second flame response time.
- 4 Post Purge is programmed on startup using the ST7800A1142.
- 5 Pre Purge is dependent on which ST7800 timer is installed.
- 6 Provide line voltage input to terminal 18 for intermittent pilot operation.



RM7840G1022 Wiring Schematic

See reverse side for R4140G1148 wiring schematic



- 1 120V power supply. Provide disconnect means and overload protection as required.
- 2 Add jumper for 30 second Main Flame Establishing period (MFEP)
- 3 Do not wire to any unused terminals.
- 4 See flame detector installation instructions for correct wiring.

R4140G1148 to RM7840G1022 Conversion wiring chart			
R4140G1148 Terminal		RM7840G1022 Terminal	
G	(Ground)	G	Ground
L1	Hot	4	L1 Hot
L1	Burner Controller & Limits	6	L1 to Burner controls & Limits and then term 6
L2	Common	L2	Common
F	Flame Detection	F	Flame Detection
3	Running Interlocks & Air Flow	6	Running Interlocks & Air Flow
4	Burner Controller & Limits	6	Burner Controls & Limits
4	Pre-ignition Interlocks	20	Pre-Ignition Interlock
5	10 second Interrupted pilot ignition (If used)	8	10 second Interrupted pilot ignition (If used)
6	30 second Interrupted pilot ignition	21	30 second Interrupted pilot ignition
7	Main Fuel Valve	9	Main Valve
8	Burner Motor	5	Burner Motor
8	Low-Fire Switch to term 13	5	Low-Fire Start Switch to term 18
9	Line Voltage Alarm	3	120V Alarm
10	Series 90 High Fire	12	Series 90 High-Fire
11	Series 90 Common	13	Series 90 Common
12	Series 90 Modulate	15	Series 90 Modulate
13	Low Fire Switch to term 8	18	Low-Fire Start Switch to term 5
14	Series 90 Low Fire	14	Series 90 Low-Fire
16	Pre-Ignition interlocks	20	Pre-Ignition Interlocks
16	Running Interlocks & Air Flow	7	Running Interlocks & Air Flow
17	Shutter on self checking flame detectors	22	Shutter on self checking flame detectors
		19	Jumper wire to term 5 for 30 second MFEP.