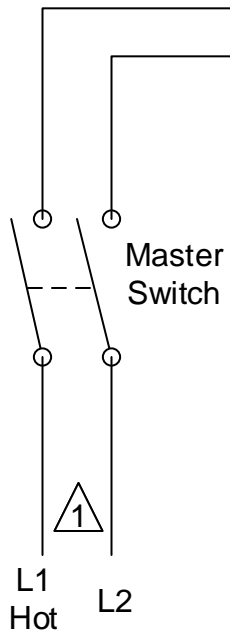
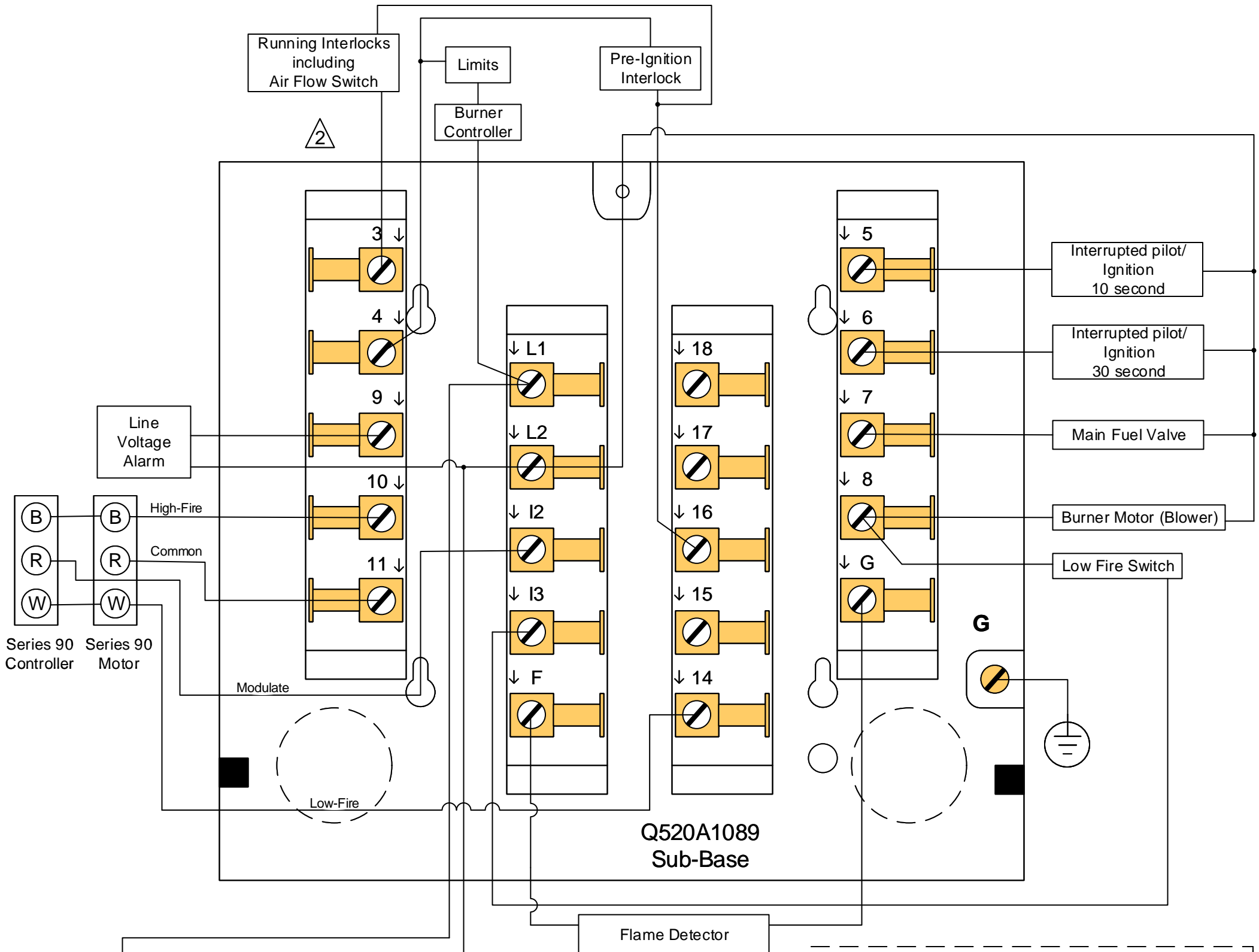
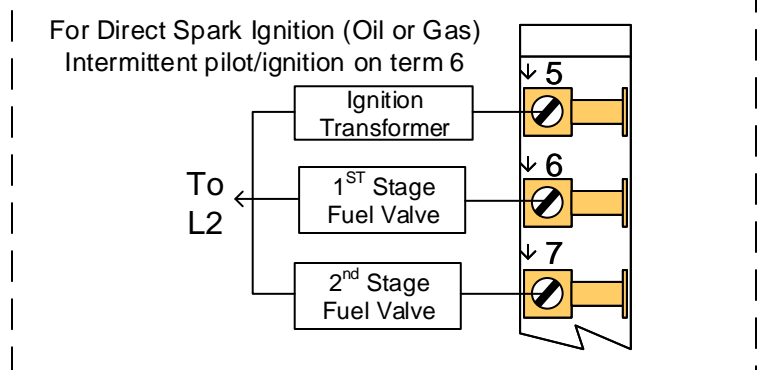
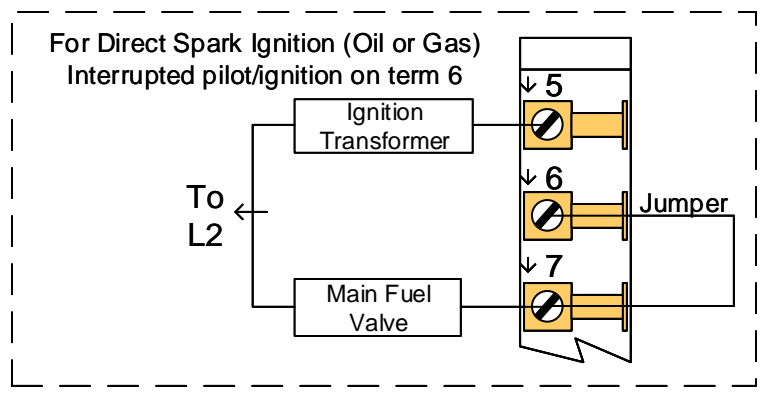


R4140G1130 Wiring Schematic

See reverse side for RM7840G1022 wiring schematic & conversion table.

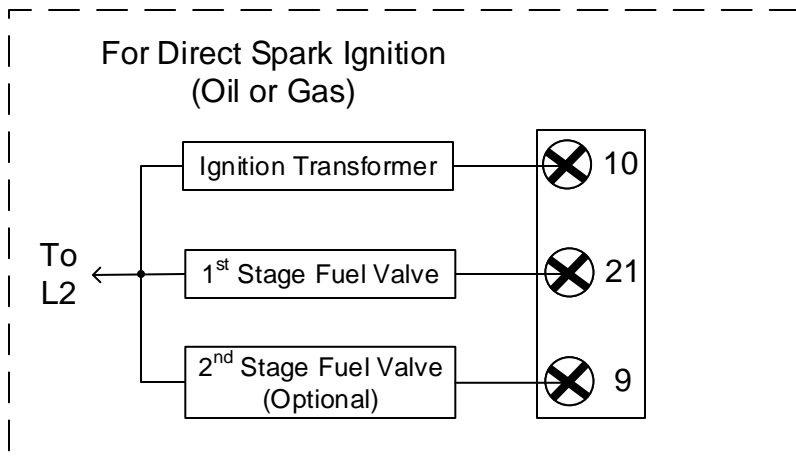
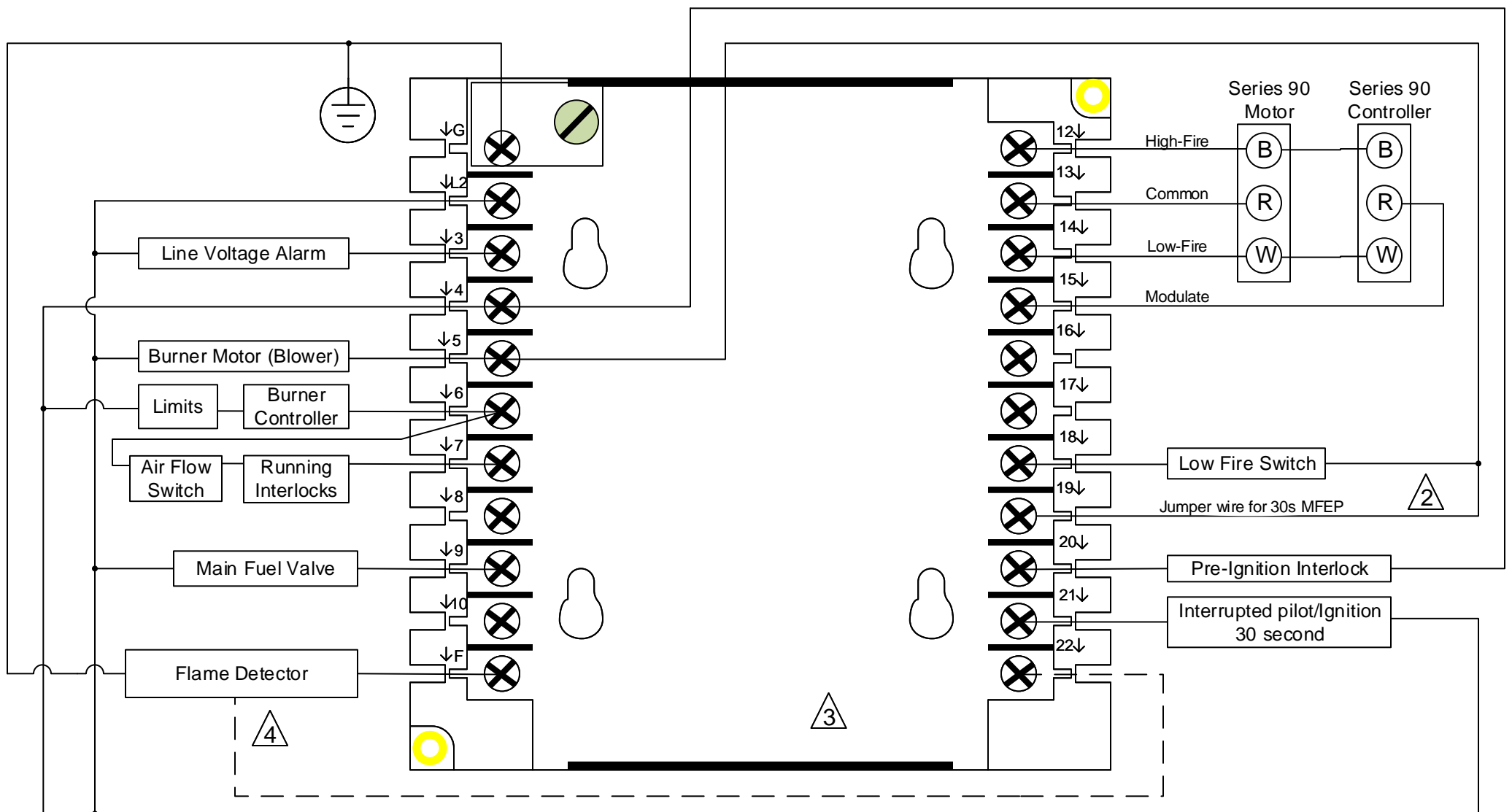


- 1 120V power supply. Provide disconnect means and overload protection as required.
- 2 Do not connect any wires to unused terminals.
- 3 See flame detection specifications for correct wiring. Clip jumper JR2 if using 3 second flame response time.
- 4 Post Purge is programmed on startup using the ST7800A1142.
- 5 Pre Purge is dependent on which ST7800 timer is installed.
- 6 Provide line voltage input to terminal 18 for intermittent pilot operation.



RM7840G1022 Wiring Schematic

See reverse side for R4140G1130 wiring schematic



- 1 120V power supply. Provide disconnect means and overload protection as required.
- 2 Add jumper for 30 second Main Flame Establishing period (MFEP)
- 3 Do not wire to any unused terminals.
- 4 See flame detector installation instructions for correct wiring.

| R4140G1130 to RM7840G1022 Conversion wiring chart | | | |
|---|--|----------------------|--|
| R4140G1130 Terminal | | RM7840G1022 Terminal | |
| G | (Ground) | G | Ground |
| L1 | Hot | 4 | L1 Hot |
| L1 | Burner Controller & Limits | 6 | L1 to Bumer controls & Limits and then term 6 |
| L2 | Common | L2 | Common |
| F | Flame Detection | F | Flame Detection |
| 3 | Running Interlocks & Air Flow | 6 | Running Interlocks & Air Flow |
| 4 | Burner Controller & Limits | 6 | Burner Controls & Limits |
| 4 | Pre-ignition Interlocks | 20 | Pre-Ignition Interlock |
| 5 | 10 second Interrupted pilot ignition (If used) | 8 | 10 second Interrupted pilot ignition (If used) |
| 6 | 30 second Interrupted pilot ignition | 21 | 30 second Interrupted pilot ignition |
| 7 | Main Fuel Valve | 9 | Main Valve |
| 8 | Burner Motor | 5 | Burner Motor |
| 8 | Low-Fire Switch to term 13 | 5 | Low-Fire Start Switch to term 18 |
| 9 | Line Voltage Alarm | 3 | 120V Alarm |
| 10 | Series 90 High Fire | 12 | Series 90 High-Fire |
| 11 | Series 90 Common | 13 | Series 90 Common |
| 12 | Series 90 Modulate | 15 | Series 90 Modulate |
| 13 | Low Fire Switch to term 8 | 18 | Low-Fire Start Switch to term 5 |
| 14 | Series 90 Low Fire | 14 | Series 90 Low-Fire |
| 16 | Pre-Ignition interlocks | 20 | Pre-Ignition Interlocks |
| 16 | Running Interlocks & Air Flow | 7 | Running Interlocks & Air Flow |
| 17 | Shutter on self checking flame detectors | 22 | Shutter on self checking flame detectors |
| | | 19 | Jumper wire to term 5 for 30 second MFEP. |