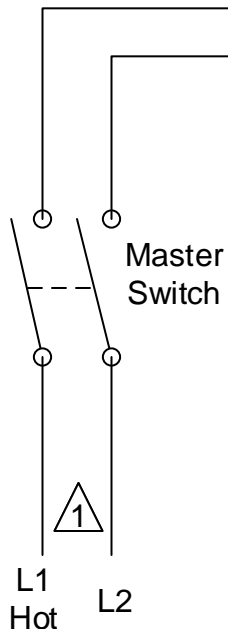
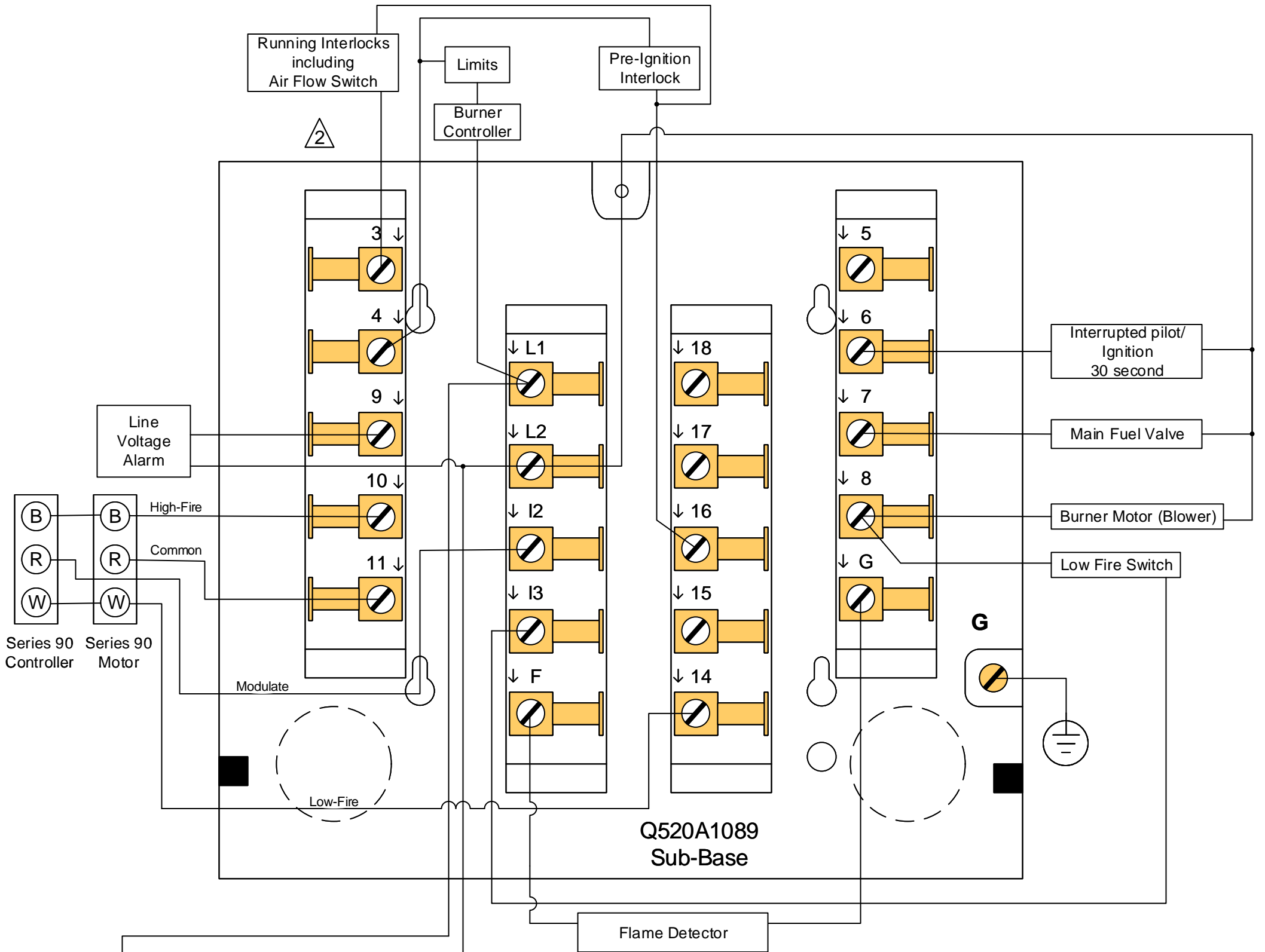
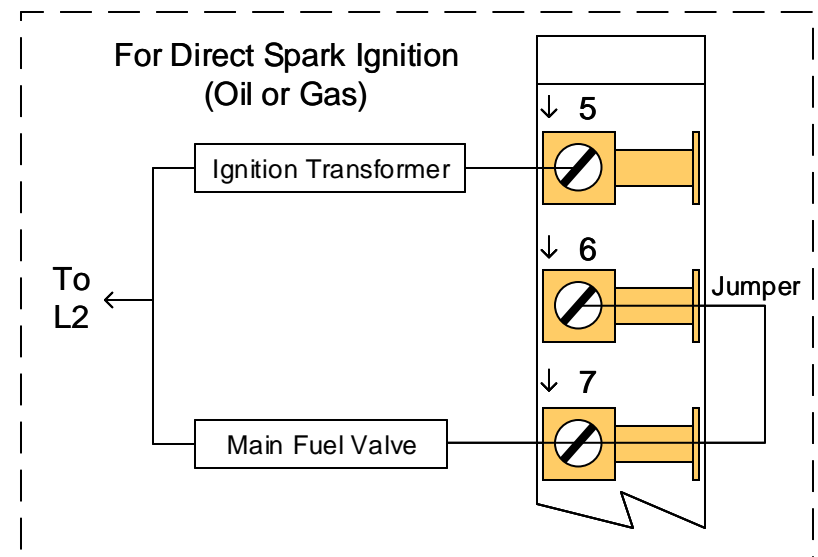


# R4140G1007 Wiring Schematic

See reverse side for RM7840G1022 wiring schematic & conversion table.

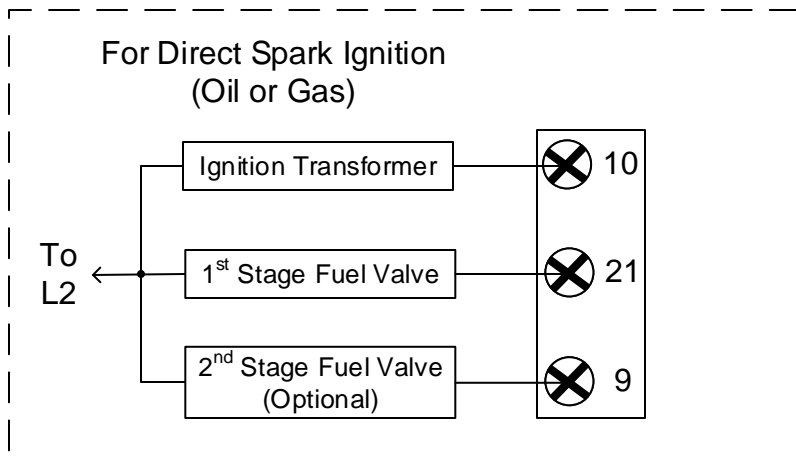
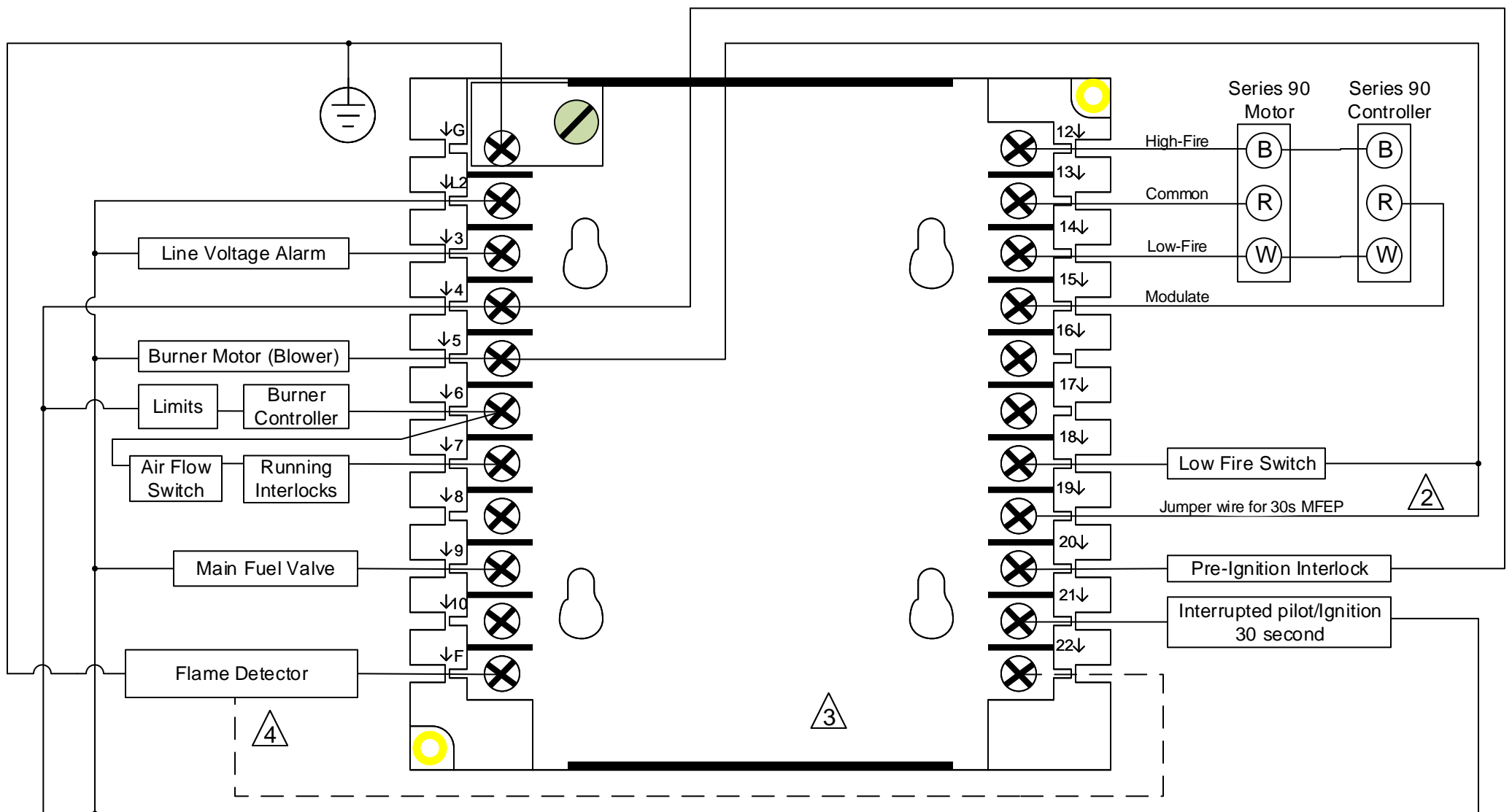


- ⚠️ 1 120V power supply. Provide disconnect means and overload protection as required.
- ⚠️ 2 Do not connect any wires to unused terminals.
- ⚠️ 3 See flame detection specifications for correct wiring. Clip jumper JR2 if using 3 second flame response time.
- ⚠️ 4 Post Purge is programmed on startup using the ST7800A1142.
- ⚠️ 5 Pre Purge is dependent on which ST7800 timer is installed.
- ⚠️ 6 Provide line voltage input to terminal 18 for intermittent pilot operation.



# RM7840G1022 Wiring Schematic

See reverse side for R4140G1007 wiring schematic



R4140G1007 to RM7840G1022 Conversion wiring chart

R4140G1007 Terminal	RM7840G1022 Terminal
G	(Ground)
G	Ground
L1	Hot
4	L1 Hot
L1	Burner Controller & Limits
6	L1 to Bumer controls & Limits and then term 6
L2	Common
L2	Common
F	Flame Detection
F	Flame Detection
3	Running Interlocks & Air Flow
6	Running Interlocks & Air Flow
4	Burner Controller & Limits
6	Burner Controls & Limits
4	Pre-ignition Interlocks
20	Pre-Ignition Interlock
5	10 second Interrupted pilot ignition (If used)
8	10 second Interrupted pilot ignition (If used)
6	30 second Interrupted pilot ignition
21	30 second Interrupted pilot ignition
7	Main Fuel Valve
9	Main Valve
8	Burner Motor
5	Burner Motor
8	Low-Fire Switch to term 13
5	Low-Fire Start Switch to term 18
9	Line Voltage Alarm
3	120V Alarm
10	Series 90 High Fire
12	Series 90 High-Fire
11	Series 90 Common
13	Series 90 Common
12	Series 90 Modulate
15	Series 90 Modulate
13	Low Fire Switch to term 8
18	Low-Fire Start Switch to term 5
14	Series 90 Low Fire
14	Series 90 Low-Fire
16	Pre-Ignition interlocks
20	Pre-Ignition Interlocks
16	Running Interlocks & Air Flow
7	Running Interlocks & Air Flow
17	Shutter on self checking flame detectors
22	Shutter on self checking flame detectors
19	Jumper wire to term 5 for 30 second MFEP.

- 1 120V power supply. Provide disconnect means and overload protection as required.
- 2 Add jumper for 30 second Main Flame Establishing period (MFEP)
- 3 Do not wire to any unused terminals.
- 4 See flame detector installation instructions for correct wiring.