



A CSW Industrials Company

PRODUCT DATA SHEET

DUST FREE® DUALITY® Mini-Split UV

Description

The Dust Free Duality UV is a compact, high-quality UV light designed for confined spaces such as ductless or mini-split systems. It features dual-spectrum UV that maximizes sanitized surface areas, as well as a VOC filter that doubles the sanitizing options. The Duality UV is easy to install and maintain, and it can help to improve indoor air quality by reducing the presence of viruses, bacteria*, and other harmful contaminants.

* Based on results from the testing of SARS CoV-2, MS2, Bacillus Thuringiensis, Staphylococcus Epidermis, Aspergillus Niger, and Serratia Marcescens. See more at dustfree.com/support/testing.

Applications

Ductless mini-split

Included inside box

- 90-240V LED driver with airflow sensor
- UV LED strips (2)
- VOC filters (2)
- Vent clip for airflow sensor
- Nylon cable tie (8)
- 3M tape (8)
- Filter clips (10)
- Installation & operation manual
- UV warning label

Before Installing

Read all instructions carefully. Failure to do so could damage the equipment or cause harm to yourself or others.

- Acknowledge all warnings.
- Only qualified technicians should perform the installation.

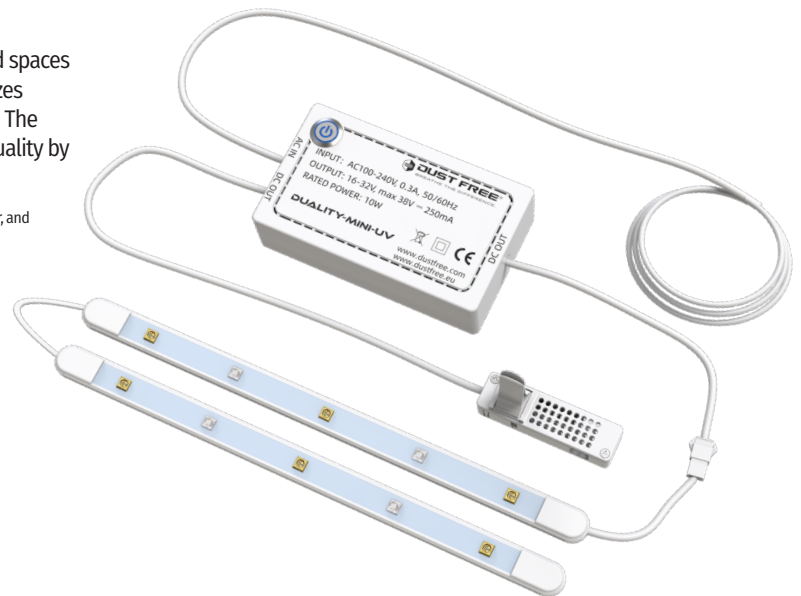
Safety information



1. High intensity ultraviolet light. 2. Exposure to direct LED UV light may be harmful. 3. Always protect eyes and skin from UV LEDs. 4. Never look directly into UV LEDs during operation. 5. Disconnect before servicing. 6. After installation, all UV light should remain internal within the installed unit. 7. Ensure no UV light is visible from outside the installed unit. 8. LED lifespan can vary. For optimization, replace LEDs every 12 months.



1. The appliance must be installed in accordance with national wiring regulations. 2. Main power supply must be isolated prior to carrying out any electrical work. 3. The supply cord cannot be replaced. If damaged the appliance must be replaced. 4. The external accessories must be used only with the appliance provided by the manufacturer. 5. The power supply's main system must be provided with an all-pole terminal that provides a full disconnection under overvoltage category III.



Characteristics | Features

- Dual UV LED arrays
- Dual UV spectrums, UV-A and UV-C irradiation
- Dual sanitizing options, VOC filter and UV coil scrubbing
- Dual input voltage, 120VAC or 230VAC
- Zero ozone emissions
- Easy installation
- Easy clip-on airflow sensor automatically and proactively powers unit on/off
- Durable 3M adhesives fit every installation need
- EMC and LVD tested and qualified for safe indoor applications

Packaging

Code	Size	Qty. per Case	Lbs. per Case	Cubic Ft per Case
89097	Duality Mini-UV	16	22	2.3
89096	Duality Replacement LED array	25	8	0.83

Specifications

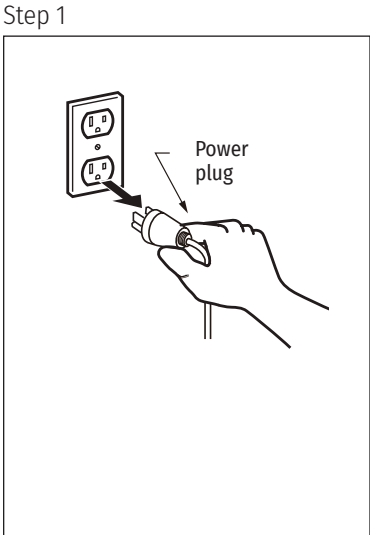
Power Module	Led Strip	VOC filters	Electrical	Weight	LED Strip Life	Warranty
4"L x 2.3"W x 1"H, 102.4mm L x 60mm W x 27mm H	8.8"L x 0.4"W, 224mm L x 10.5mm W	7.87"L x 2.3"W x 0.1"H, 200mm L x 60mm W x 2.5mm H	90-240V	1.1 lb, 0.5kg	8,000 - 10,000 hours	2-year on power module. 6 months on UV LED strips.

UV INSTALLATION NOTES

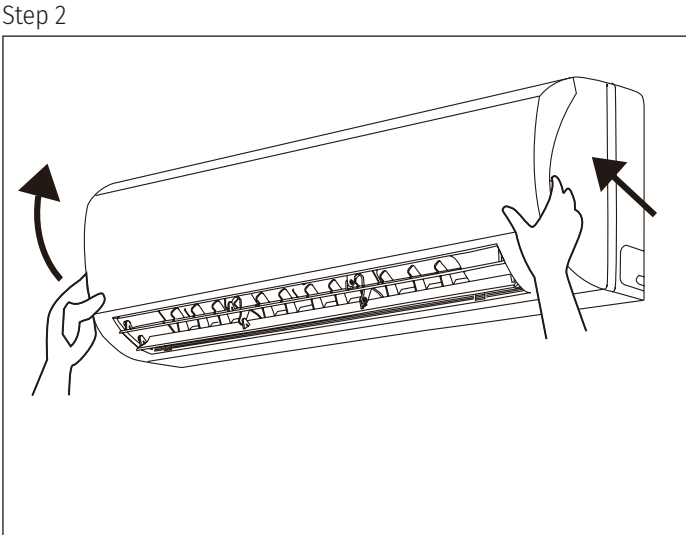
This device is typically mounted within mini split systems and other limited space applications that are susceptible to the build up of molds and bacteria. For optimal VOC efficacy, mount the UV lights inside the supply vent panel facing the blower wheel and ensure the UV light is directed through the provided VOC filter. For applications where VOC filters are not deemed necessary, direct the UV light onto the rear side coils where moisture build up is most prevalent. Ensure the mounting of the UV strips do not direct light immediately out of the unit and into the living space.

Installation Instructions

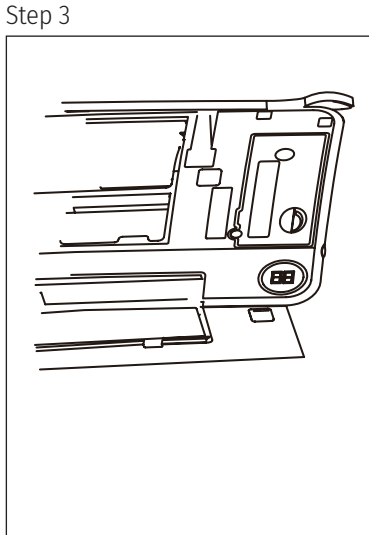
POWER CONNECTION



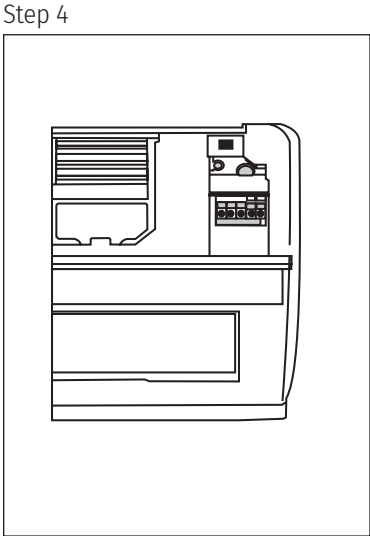
Disconnect power from your system.



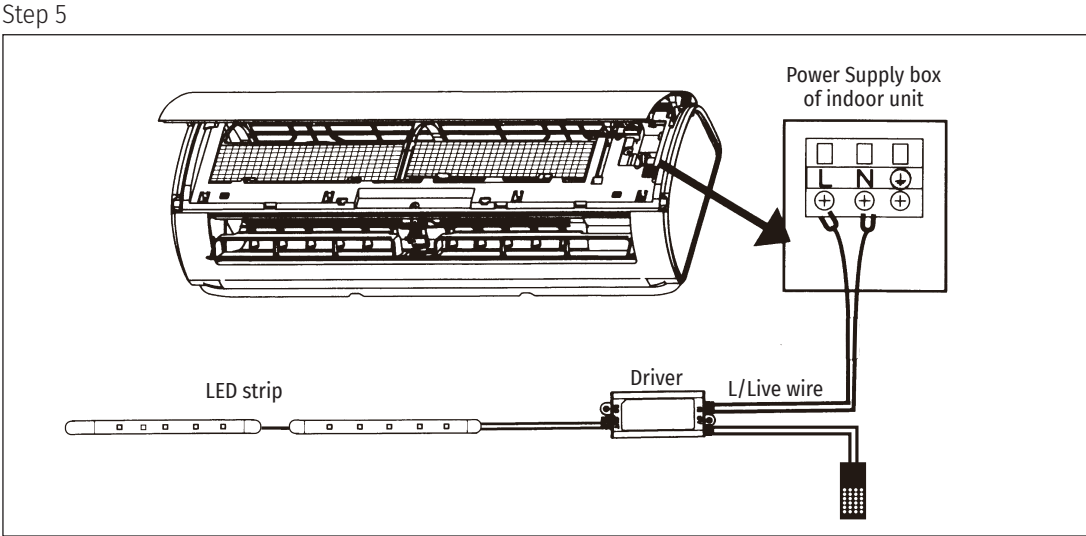
Remove the Cover.



Have a qualified electrician remove the electric panel cover.



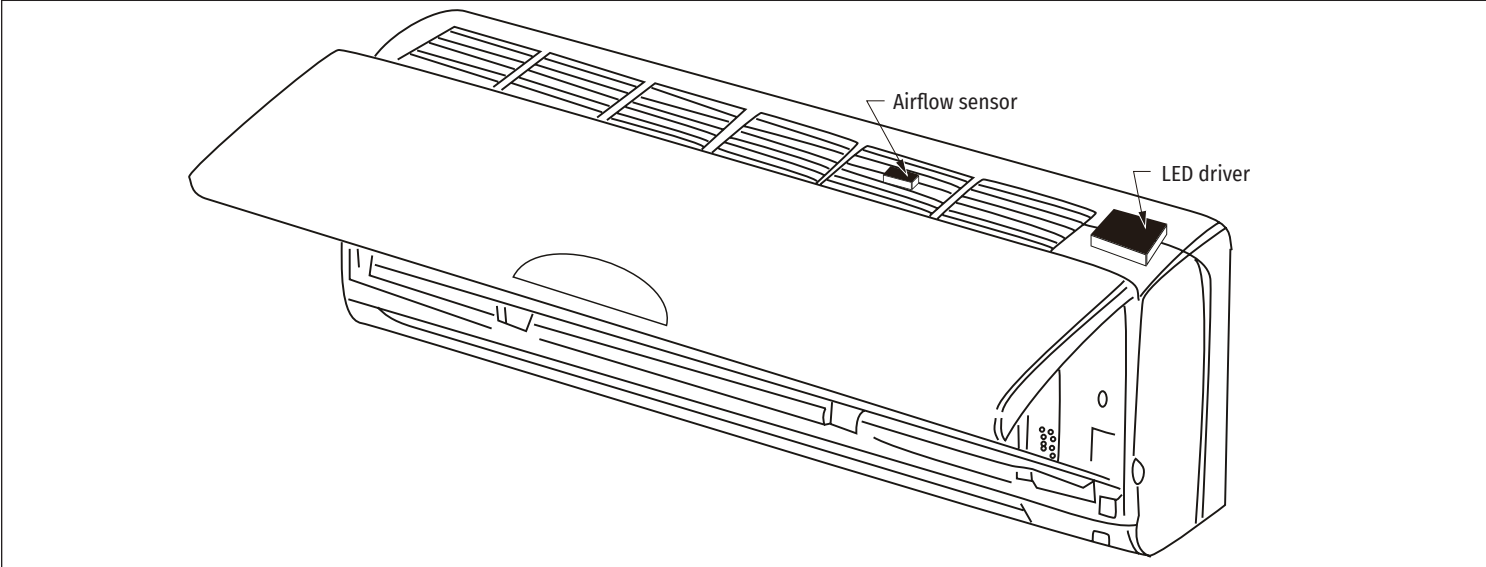
Connect the power line from the UV driver into the power supply feed of the system.



Airflow sensor.

LED DRIVER AND AIRFLOW SENSOR

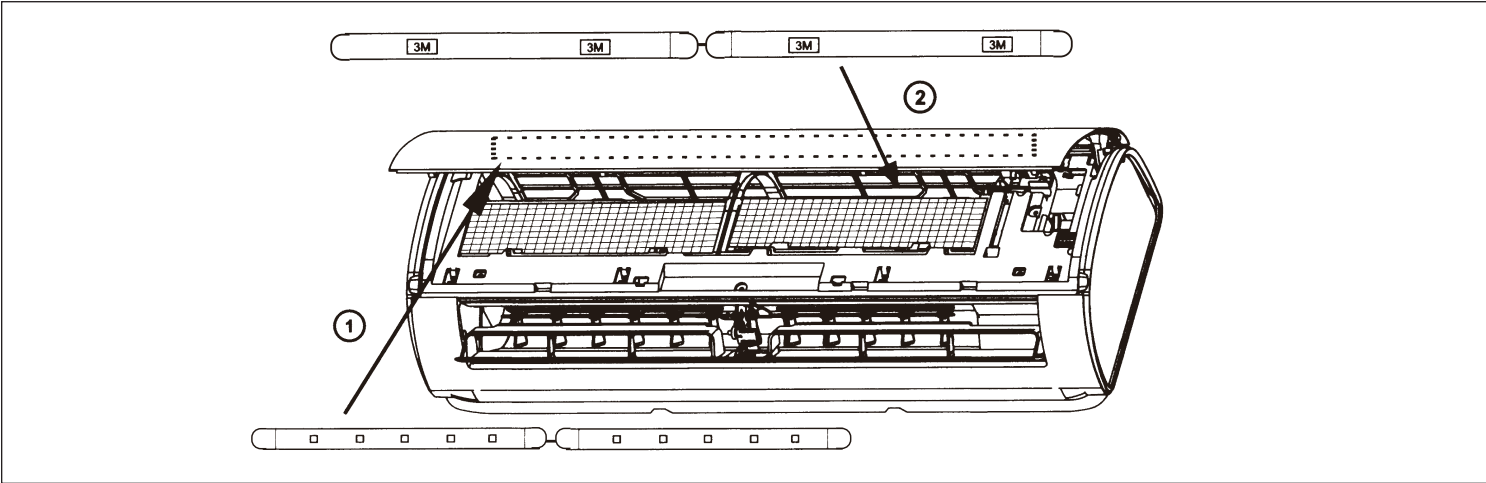
Step 1



Mount the LED Driver and airflow sensor above air conditioner.

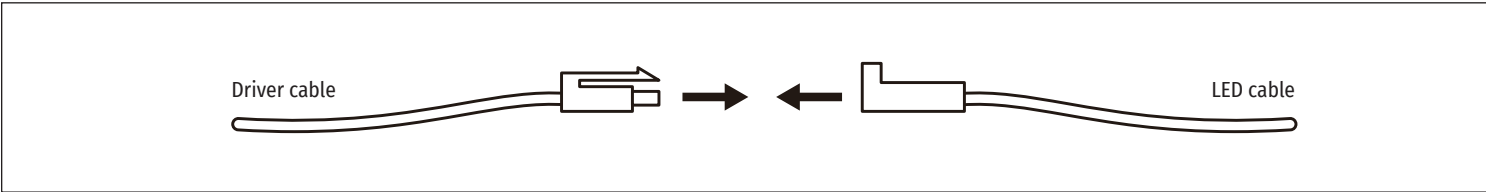
UV LED STRIPS

Step 1



Determine the best location for the UV LEDs (see UV Installation Notes). To ensure proper adhesion of 3M tape, thoroughly clean and dry area before mounting UV LEDs.

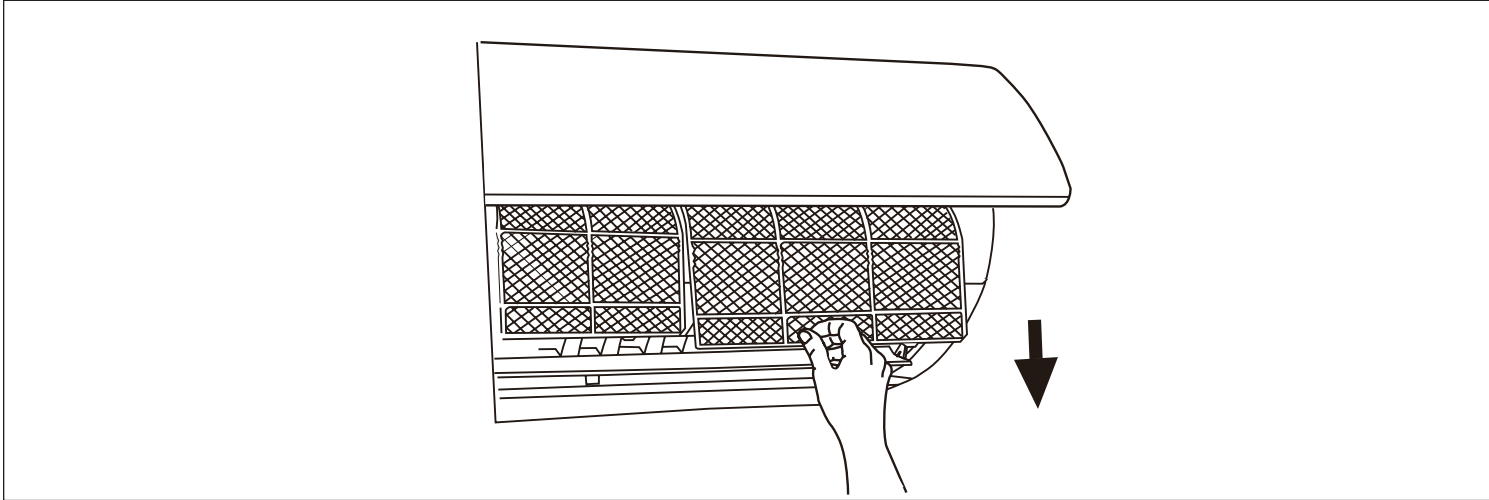
Step 2



Connect the LED driver with UV LED strips.

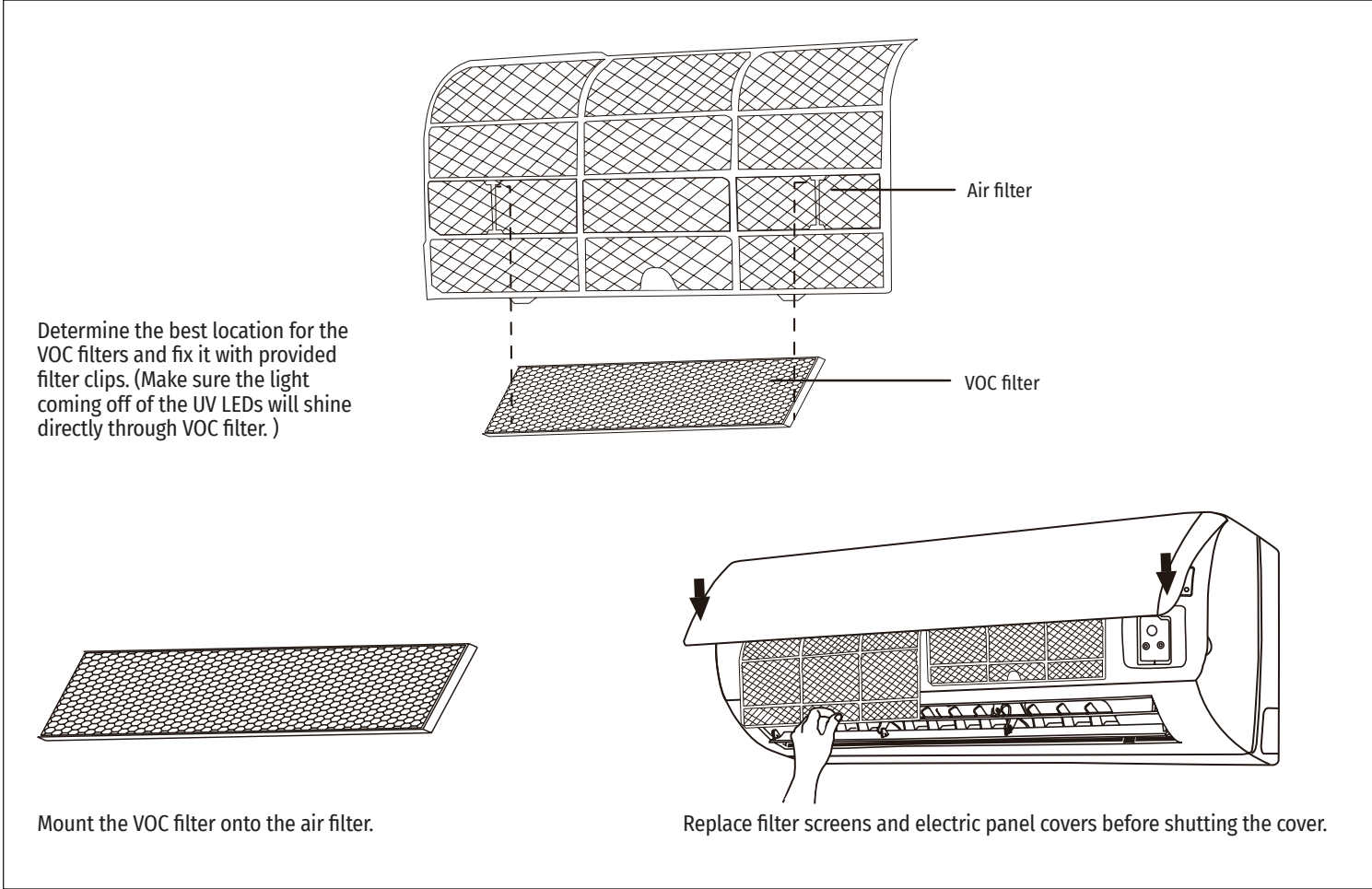
VOC FILTERS

Step 1



Take out the AC filters and clean with a dry cloth.

Step 2



Warning label

To ensure safe maintenance in the future, apply the provided UV warning label in a convenient location on your AC system. To track the lifetime of your UV lamps, use a pen to note the date of installation on the warning label.

EPA Device Manufacturer Establishment No. 73316-TX-1.

The product and technologies described are not medical devices, and are not intended to diagnose, treat, cure, or prevent any disease or illness.

For replacement UV LED arrays contact Dust Free, LP.
Replacement Duality UV Array: Part # 19201



Limited Warranty



For more information on our product limited warranty, visit RectorSeal.com

Distributed by

RectorSeal, LLC

2601 Spenwick Drive • Houston, TX 77055, USA • 800-231-3345 • Fax 800-441-0051 • rectorseal.com

A CSW Industrials Company. RectorSeal, the logos and other trademarks are property of RectorSeal, LLC, its affiliates or its licensors and are protected by copyright, trademark and other intellectual property laws, and may not be used without permission. RectorSeal reserves the right to change specifications without prior notice. ©2023 RectorSeal. All rights reserved. R50846-0723