

CT1 Series CO2/Temp Recessed/Wall

Optional LCD with field calibration menu
 High accuracy NDIR CO2 element
 Sense up to 10,000 ppm CO2 or choose Dual Channel element
 Integrated setpoint relay on LCD versions



DESCRIPTION

The new Senva CT1 Series comes in our newly engineered enclosure making it the most attractive and quickest-installed CO2 sensor on the market. Designed with a selectable analog output and a variety of thermistor options allows flexibility on-site and ease of ordering. It mounts easily in any junction box or it can be unobtrusively mounted directly to drywall using Senva's built-in drywall clamps. Save installation time and energy costs with this versatile product.

APPLICATIONS

- Controlling ventilation in response to occupancy
- Facilitating compliance with ASHRAE 62.1 standard for air quality
- Offices, conference rooms, and public assembly areas
- Greenhouses, hospitals, convenience stores, etc (dual channel version)



Drywall clamps make installation simple without a junction box



Optional "wall" enclosure for surface-mount applications



Made in America - Best in industry 7-year warranty!

FEATURES

- Mounts easily in standard wall plates
- Innovative drywall clamps allow unobtrusive and secure mounting without a junction box
- Ideal for schools and institutional environments
- Analog output provides 0-5V, 0-10V, or 3-wire 4-20mA
- Thermistor outputs for temperature optional
- Optional LCD display
- Optional Dual Channel element
- Non-dispersive infrared sensing element (NDIR)
- 15+ year life expectancy on CO2 sensing element
- High Accuracy: ± 30 ppm, $\pm 3\%$ of reading
- Auto-calibration mode returns sensor to baseline values

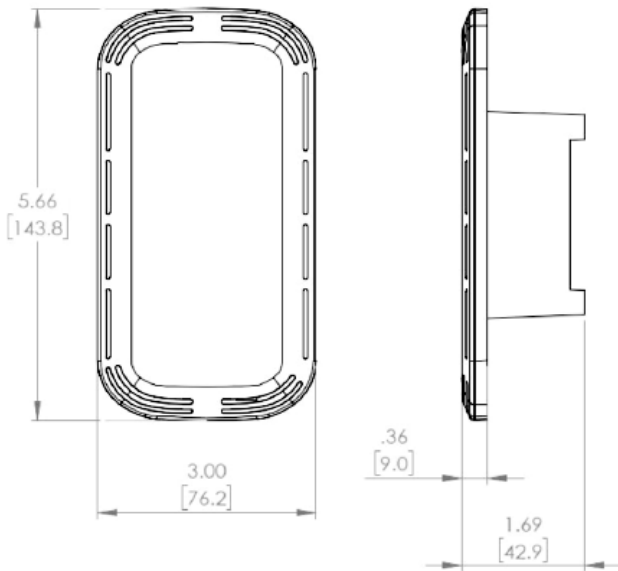
ORDERING

| | | | | | | | |
|-----|-------------------------------|---|--|---|--|---|--|
| CT1 | □ | - | □ | □ | □ | - | □ |
| | Enclosure | | Temperature | Output | Display (LCD) | | Dual Channel |
| | R = Recessed Wall W = Wall | | A= None B= Transmitter C= 100PtRTD D= 1000PtRTD E= 10K Type 2 F= 10K Type 3 G= 10K W/ 11K H= 3K I = 2K2 J = 1K8 K = 20K L= 100K | 3= 4-20mA, 0-5V, 0-10V 3-Wire Connection | X= None D=Display+ Setpoint Relay | | BLANK= None D=Dual Channel CO ₂ Element |

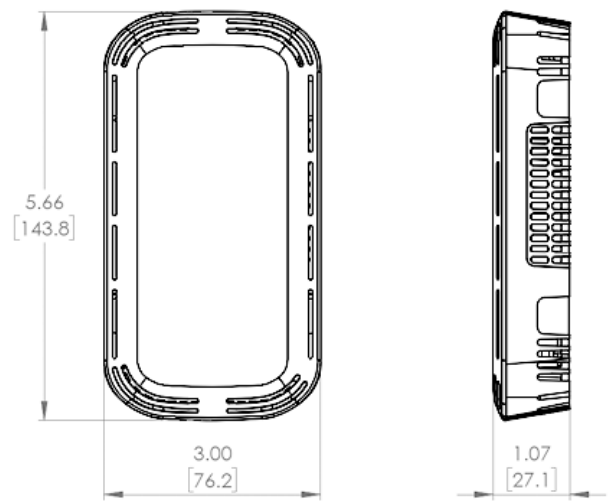
To order replacement sensor elements, please consult factory.

DIMENSIONS

CT1R



CT1W



Warning: The datasheet is designed for reference only. Refer to installation instructions that accompany the product and heed all safety instructions. Product improvement is a continuing process at Senva. Changes may occur to products without prior notice

SPECIFICATIONS

| | | |
|--|--|---|
| Power Supply | | 12-30VDC/24VAC(1), 100mA max. |
| Analog Outputs | Analog | 3-wire 4-20mA and 0-5V/0-10V(2) (dip switch selectable) |
| | Output scaling | 0 - 2000 (default) or 0 - 5000 ppm (selectable) |
| Digital Setpoint Output | Programmable | Solid-state, 1A @ 30VAC/DC, N.O. on LCD version only. |
| Sensor Performance | Type | Non-dispersive Infrared (NDIR) |
| | Accuracy (Standard) | $\pm(30\text{ppm} + 3\% \text{ of reading})$ (400-2000ppm), @ -10-50°C |
| | | $\pm(50\text{ppm} + 5\% \text{ of reading})$ (2000-5000ppm), @ -10-50°C |
| | | $\pm(100\text{ppm} + 10\% \text{ of reading})$ (5000-10000ppm), @ 0-50C |
| | Accuracy (Dual Channel) | $\pm(30\text{ppm} + 3\% \text{ of reading})$ (0-2000ppm), @ 0-50C |
| | | $\pm(50\text{ppm} + 3\% \text{ of reading})$ (2000-5000ppm), @ -10-50C |
| | | $\pm(100\text{ppm} + 10\% \text{ of reading})$ (5000-10000ppm), @ 0-50C |
| | Drift with ABC disabled (Standard) | 35ppm/month (3) |
| Drift with ABC disabled (Dual Channel) | 5ppm/month (3) | |
| Range | 0-2000/5000ppm; Programmable up to 10,000ppm | |
| Response time | 60s to 90% reading | |
| Output update rate | 1s | |
| LCD Menu Setup Parameters | SPH, Setpoint, Hi (On point) | 500ppm to full-scale (800ppm default) |
| | SPL, Setpoint, Lo (Off point) | 400ppm to full-scale (700ppm default) |
| | SCL, Scaling | 0-2000ppm, 0-5000ppm, 0-10000ppm (2000ppm default) |
| | ADJ, Adjustment | Offset adjustment +/-250ppm (0 default) |
| | CAL, Calibration mode | Automatic mode ON or OFF (default=ON) |
| | RUN, Run mode | Displays CO2 in ppm |
| Operating Environment | Temperature | 14 to 122oF (-10 to 50oC) |
| | Humidity | 0-95% non-condensing |
| Enclosure | Material | ABS Plastic |
| | Dimensions (fits low-voltage bracket) | 5.66" h x 3.0" w x 1.69" d (1.07d" for surface mount) |

(1) One side of transformer secondary is connected to signal common. Dedicated transformer is recommended.

(2) 15-30VDC/24VAC power supply voltage required for 10 volt output.

** Product improvement is a continual process as Senva and product features and specification may change without prior notice. Refer to instructions that accompany the product for installation and wiring.*