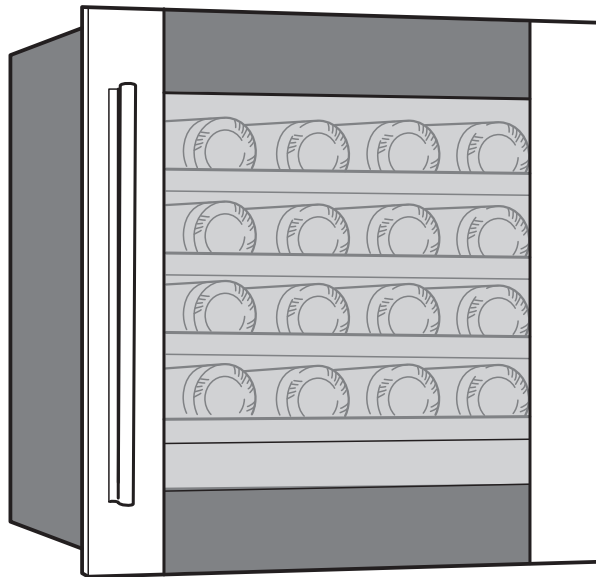


LeCavist

Instruction Manual

WINE COOLER

MODEL: TAS36VXBI



CONGRATULATIONS

Congratulations and thank you for choosing LeCavist for your wine storage solution.

This appliance complies with all relevant safety requirements in Australia. Inappropriate use can, however, lead to personal injury and damage to property.

In order to operate the unit correctly and safely, please read this instruction manual carefully before installation and use. This user manual which provides you with all required instructions related to safety, installation, use and maintenance of the appliance.

For future reference, please store this booklet in a safe place and ensure that all users are familiar with the contents. Pass them on to any future owner of the appliance.

Record Model & Serial Number

Model:.....

Serial Number

Register your product at www.lecavist.com

WARNING

This symbol means that the safe operation of the product and the personal safety of the operator are concerned, and that the operation must be performed in strict compliance with the requirements as specified.

CAUTION

This symbol means that the operator must pay attention to the information as described.

PROHIBITION

This symbol means that the behavior as described is not allowed.

IMPORTANT

Adherence to the directions for use in this manual is extremely important for health and safety. Failure to strictly adhere to the requirements in this manual may result in personal injury, property damage and affect your ability to make a claim under the LeCavist manufacturer's warranty provided with your product. Products must be used, installed and operated in accordance with this manual. You may not be able to claim on the LeCavist manufacturer's warranty in the event that your product fault is due to failure to adhere this manual.

Correct Conditions of Use

- The appliance is intended for use in the home and similar environments only. It is not intended for commercial use.
- The appliance is not suitable for outdoor use, non-stationary installation.
- This wine cooler can be only used to store various types of wines


 Installation must comply with the valid standards, regulations and laws. All safety and warning information and the operating and installation instructions must be complied with.

TABLE OF CONTENTS

1. General Information	03	6. Wine storage	07
1.1 Appliance information		7. Care and maintenance	08
2. General Safety Instructions	03	7.1 Cleaning	
2.1 General safety information		7.2 Power cut	
2.2 Safety instruction - Installation		7.3 Out of service for a long time	
2.3 Correction use & Operation	04	7.4 Moving the appliance	
2.4 Disassembling and Disposal		8. Troubleshooting guide	08
of the Appliance		9. Environmental tips	09
2.5 Accessories and Spare parts		9.1 Disposal considerations	
3. Product description	04	9.2 Disposing your old appliance	
4. Installation	05	10. Warranty and After sales	09
Installing the handle and reversing the		10.1 Warranty	
door swing		10.2 After sales service	
5. Operation	07	10.3 Replacement of spare parts	
5.1 Start operation			
5.2 Control panel			


Additional information on products, accessories, warranty, replacement parts and services can be found at www.lecavist.com

1. GENERAL INFORMATION

1.1 Appliance Information

- A damaged appliance can be dangerous. If you find the appliance is damaged or marked, you must report it within 7 days if you wish to claim for damage/marks under the manufacturer's warranty. This does not affect your statutory rights. Do not use a damaged appliance.
- The manufacturer's warranty will be invalidated if the appliance is not repaired by a LeCavist approved service technician.
- Faulty components must only be replaced by genuine LeCavist spare parts. The manufacturer can only guarantee the safety of the appliance when LeCavist replacement parts are used.
- If the power cord is damaged, it must only be replaced by a LeCavist authorised service technician or suitably qualified electrician in order to avoid a hazard.
- LeCavist cannot be held liable for non-compliance with these instructions, resulting from incorrect or improper use or operation.

2. GENERAL SAFETY INSTRUCTIONS

 The appliance complies with the stipulated safety requirements in Australia. The user is responsible for appliance cleaning and maintenance as well as its safe use. Improper use can lead to personal injury and damage to property.

2.1 General Safety Instructions

Children and People with Special Needs



WARNING

This appliance is not intended for use by persons (including children) with reduced physical, sensory or mental capabilities, or lack of experience and knowledge, unless they have been given supervision or instruction concerning use of the appliance by a person responsible for their safety.

- The appliance is NOT suitable for use by children without supervision.
- Young children should be supervised near the appliance to ensure they do not play with this appliance.
- Children may be able to wrap themselves in packing material or pull it over their heads with the risk of suffocation. Keep children away from any packing material.

Unauthorised Modifications

Unauthorised modifications can cause the appliance to pose risks. Do not conduct any modifications to the appliance.

Cleaning & Maintenance

The device must be cleaned regularly. Dirt can lead to damage or the build up of odours.

- Always clean the appliance exactly as indicated in the operating instructions.
- Always ensure the appliance is switched off before cleaning or replacing parts.
- There is a risk of fire if cleaning is not carried out as described in these operating instructions.
- Make sure no water penetrates inside the device when cleaning. Do not use a steam cleaning appliance to clean this appliance. The steam could reach electrical components and cause a short circuit.
- In areas which may be subject to infestation by cockroaches or other vermin, pay particular attention to keeping the machine and its surroundings in a clean condition at all times. Any damage which may be caused by cockroaches or other vermin will not be covered by the machine warranty.

2.2 Safety Instructions - Installation

- In order to avoid any potential hazard, the installation instructions must be followed.
- Observe all regional regulations for the installation of ventilation systems.
- During installation, maintenance and repair work, the appliance must be disconnected from the mains electricity supply. It is only completely isolated from the electricity supply when:
 - the mains circuit breaker is switched off, or
 - it is switched off at the wall socket and the plug is withdrawn from the socket.
- Do not damage the refrigerant circuit.
- After the wine cooler is installed in place, the plug shall be easily accessible to facilitate the removal of the cooler plug in case of any accident.

- Do not pull the mains connection cable but the mains plug to disconnect your appliance from the mains electricity supply.
- Do not connect the appliance to the mains electricity supply by a multi-socket unit or an extension lead.
- Extension leads are a fire hazard and do not guarantee the required safety of the appliance.
- Tampering with electrical connections or components and mechanical parts is highly dangerous to the user and can cause operational faults. Only open the housing as described in the instructions given in "Installation" section of this booklet. Under no circumstances should any other parts of the housing be opened.
- Do not use mechanical devices or other means to accelerate the defrosting process, other than those recommended by the manufacturer.

- THIS APPLIANCE MUST BE PROPERLY EARTHED. It is most important that this basic safety requirement is present and tested regularly and, where there is any doubt, the household wiring system should be inspected

by a qualified electrician. LeCavist cannot be held liable for noncompliance with these instructions, resulting from incorrect or improper use or operation.

2.3 Correct use and Operation

- For safety reasons, this appliance may only be used after it has been installed.
- Reliable and safe operation of this appliance can only be assured if it has been connected to the main electricity supply.
- Before using the appliance, ensure that all packaging materials are removed from the appliance and make sure that the connection data on the data plate [voltage (V) and frequency (Hz)] indicated on the appliance corresponds to the voltage and frequency of the power supply in your household. Consult a qualified electrician if in doubt.
- DO NOT store or spray flammable materials in the appliance or near this appliance while it is in operation (e.g. aerosols).
- Prevent water ingress. Never sprinkle or flush the cooler using water, place the cooler in an area exposed to moisture water sprinkling, or fill the cooler with water, so as to avoid impairment of the electric insulation of the cooler. Furthermore, failing to follow such requirements may lead to electric shock and fire, or other accidents.

- After the cooler is put into operation, never touch its inner surface, especially when your hand is wet; otherwise the skin may stick onto the inner surface to get injured.
- Regularly clean surfaces that can come in contact with food and accessible drainage systems. If the refrigerating appliance is left empty for long periods, switch off, clean, dry, and leave the door open to prevent mould developing within the appliance.
- Opening the door for long periods can cause a significant increase of the temperature in the compartments of the appliance.
- Cracks, fissures or fractures in the panels can damage the underlying electronics. Switch off and disconnect the appliance immediately.

WARNING

The refrigerant isobutane (R600a) is contained within the refrigerant circuit of the appliance, a natural gas with a high level of environmental compatibility, which is nevertheless flammable. During transportation and installation of the appliance, ensure that none of the components of the refrigerant circuit becomes damaged.

2.4 Disassembling and Disposal of the Appliance

(see the "Environmental Tips" section for best practices on disposing of this appliance).

The device must only be disassembled by trained specialists who are familiar with and comply with the standard national regulations and supplementary regulations of the local utility companies.

Work on electrical components must only be conducted by trained electrical personnel.

2.5 Accessories and Spare parts

Incorrect components can lead to personal injury or damage to the appliance. Only use original Lecavist spare parts for repairs.

Modifications, additions or alterations to the appliance can lead to safety risks. If spare parts or accessories from other manufacturers are used, the warranty will be invalidated, and Lecavist cannot accept liability.

Please check www.lecavist.com for more information.

3. PRODUCT DESCRIPTION

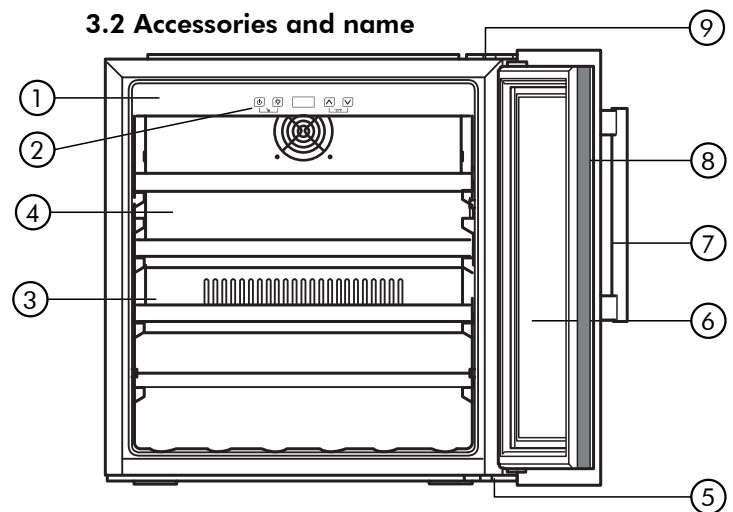
3.1 Technical data sheet

Product model	TAS36tVXBI
Voltage/frequency	220-240VAC, 50Hz
Refrigerant/weight	R600a/25g
Effective volume	85 L
Loading capacity	36 bottles
Net weight	33.2kg
Unit dimension (WxDxH)	590×563×595mm
Packing dimension (WxDxH)	650×650×655mm

Remarks :

1. The net weight includes the shelves, and the unit dimension is without the door's handle.
2. The manufacturer reserves all the rights to change the above parameters without prior notice. Please refer to the nameplate of your appliance.
3. Loading capacity depends on the arrangement and sizes of the bottles. (standard Bordeaux with 750ml is applied here).

3.2 Accessories and name



- | | | |
|-----------------|---------------|---------------|
| ① Housing | ④ Cover board | ⑦ Handle |
| ② Control panel | ⑤ Lower hinge | ⑧ Door seal |
| ③ Shelf | ⑥ Door | ⑨ Upper hinge |

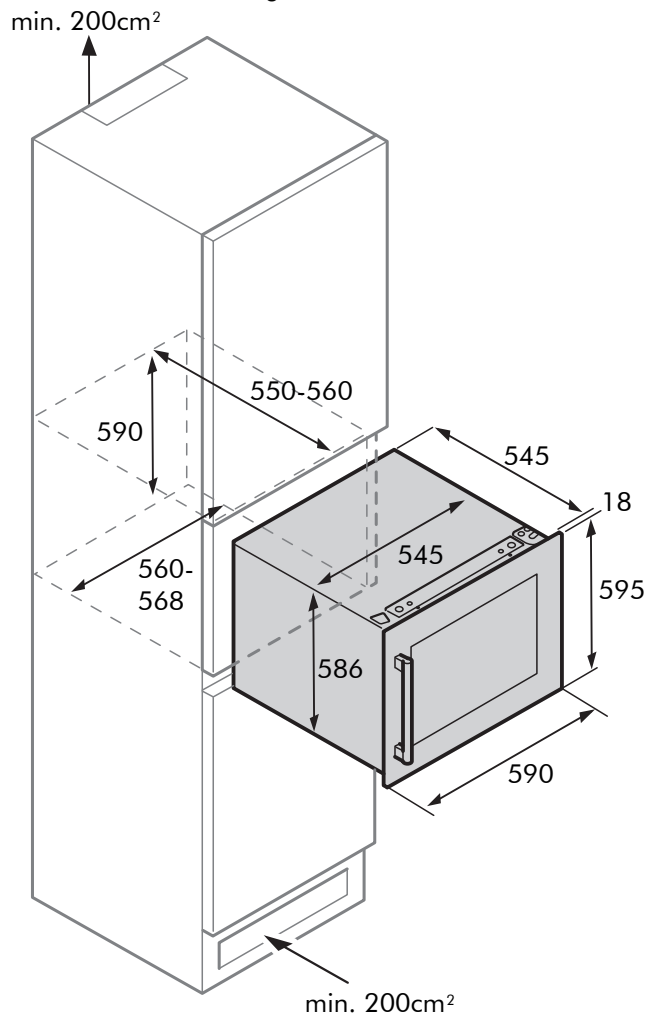
4. INSTALLATION

- ⚠ Do not lean the appliance over 45° when moving it to position.
- ❗ The appliance must be put on flat, firm & dry floor or similar noncombustible pad; do not use the package foam pad.
- ❗ Do not put the appliance in the wet place.
- ⊘ Do not use the appliance in the frozen place.
- ⊘ Do not use the appliance outdoor in case of sunlight or rain.

Note 1: Shelves, door frame, handle and other accessories could be different according to different models and configuration. All photos in this manual are for reference. The appliance you buy might not be exactly the same as shown here. Please refer to the actual product.

Note 2: You can start storing wine bottles after operating an hour or when you feel cooling inside.

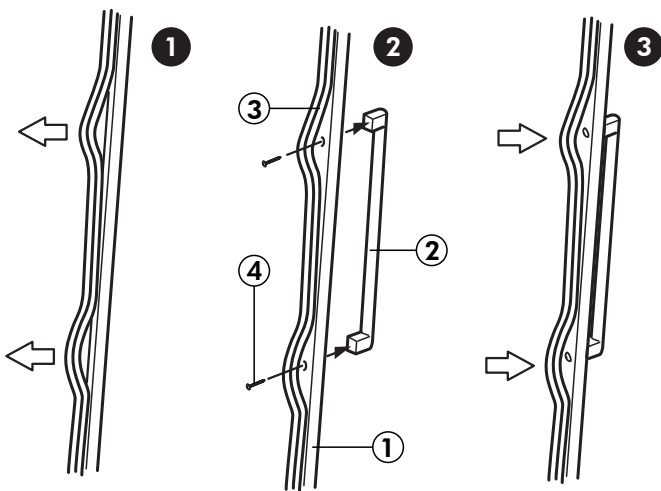
The appliance is designed to be fully build into the cabinet. Demonstration for building into the cabinet:



Installing the handle

Attach the handle to the door frame. The handle is delivered in a separated package with screws together inside the box.

- ① Reveal two small holes on the door frame from the inner side by gently pulling out the door seal, enough for the screw to be inserted.

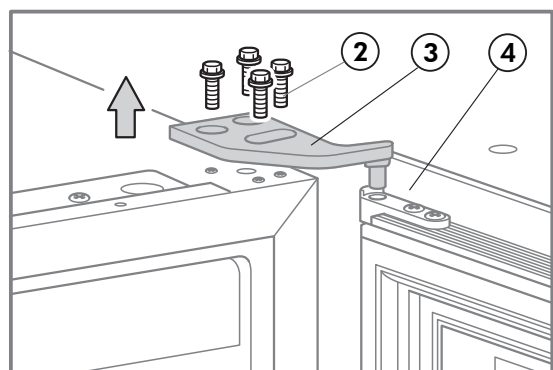


- ② Aim the handle to the holes and insert the screws from inside. Screw them up with screw-driver.
- ③ Put back door seal to cover the screws.

Reversing the door Swing

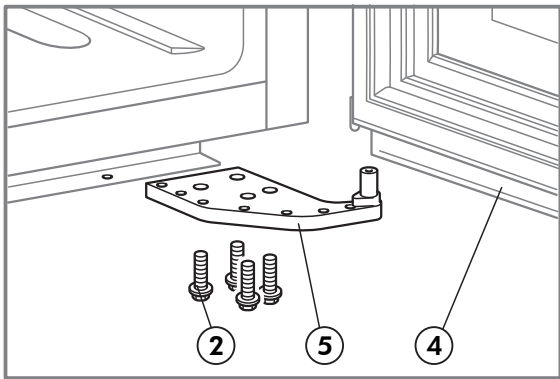
Our wine cooler is delivered with the door opening from left to right. To reverse the opening direction.

- ① Open the door at 90 degrees and keep it steady. Loosen the M5x16screws ②, remove the right upper hinge ③, and remove the door.[Figure 1].

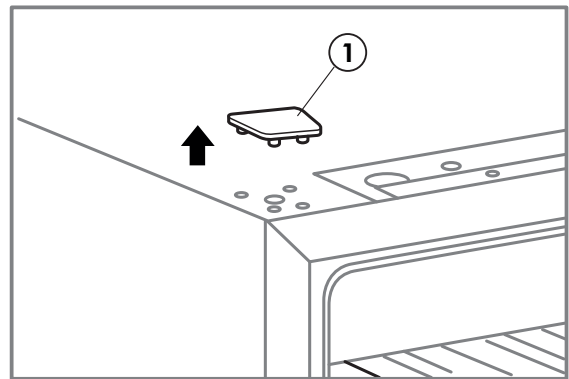


cont. installation

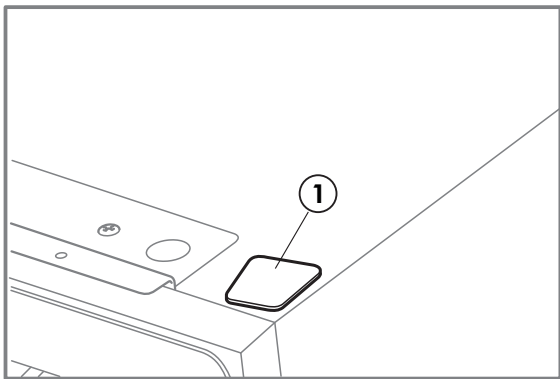
- ② Loosen the M5x16 screws ②, remove the right lower hinge ⑤ .[Figure 2]



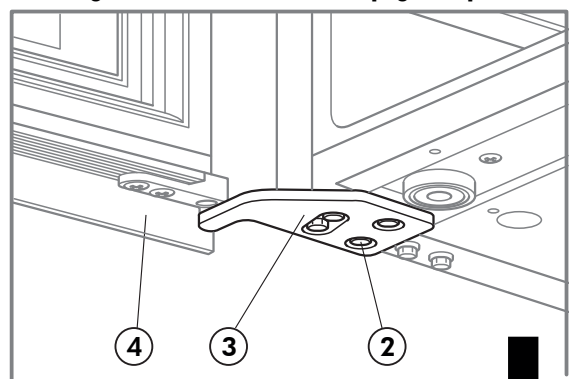
- ③ Remove the hinge cover ①.[Figure 3] (from the left side)



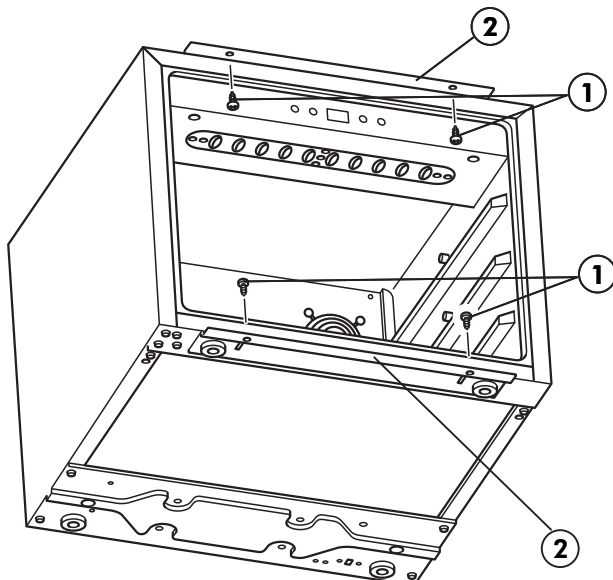
- ④ Attach the hinge cover ①.[Figure 4] (on the right side)



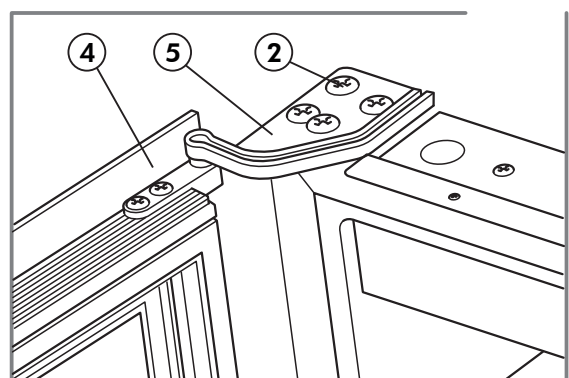
- ⑤ Install the right upper hinge ③, and screw tight the M5x16 screws ②.[Figure 5]



Bracket installation



- ⑥ Turn the door ④ 180 degrees, and insert the right lower hinge ⑤, screw tight M5x16 screws ②. [Figure 6]Door reversing is finished.



The appliance is equipped with a pair of brackets at the top ② and at the bottom. This pair of brackets might not necessary depending on your installation situation when attaching your appliance in a closet. If the opening of the closet is bigger than the appliance, you could fix 4 screws ①, ST4x13 (packed separately in a plastic bag) into the inner wood plate of closet. In this way, the appliance will be built-in and fixed tight with your closet.

Note:

LeCavist does not hold responsibility for any damages to the door or other parts during operation if the end-user does not follow this instruction in installing the appliance.

5. OPERATION

5.1 Start operation

1. Cleaning the compartment

Before powering on, clean the inside of the appliance and check the drainage pipe if properly connected.
See "care and maintenance"

2. Placement

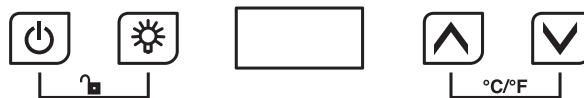
Before turning the power for the first time, keep it static at least for at least 30minutes.

3. Power on

When the appliance starts operation, it should start to cool down after an hour, If not please check the power connection.

5.2 Control panel

All keys won't be active if in lock mode. Please unlock first.



ON/ OFF

1. Keep pressing the key for 3 seconds, power goes down, then to stand-by mode.
2. Keep pressing the key again for 3 seconds to return back to normal operation.

LIGHT

Press the light key to turn ON / OFF the LED lights inside. In stand-by mode, the key is inactive.

UP

Press the UP key once, LED Display in regular flash shows current set temperature. Continue pressing to adjust the temperature, 1 press is an increase of 1°C. Stop and set required temperature. Flashing stops 5seconds after your last press. Actual temperature is displayed on LED display.

DOWN

Press the DOWN key once, LED Display in regular flash shows current set temperature. Continue pressing to adjust the temperature, 1 press is a decrease of 1°C. Stop and set required temperature. Flashing stops 5seconds after your last press. Actual temperature is displayed on LED display.

Child Lock (Combination key)

1. Lock: Press both keys at the same time for 3 seconds to lock.
2. Unlock: Press both keys at the same time for 3 seconds to unlock.

Fahrenheit/Celsius display interchange

Switch temperature display between Fahrenheit and Celsius by pressing both keys

Attention:

1. The cooling temperature could be set from 5 to 20°C.
2. Alarm sound: when a system malfunction occurs and the alarm sounds, press any key on the control panel to cancel the alarm sound.
3. Error codes:

When the upper zone temperature sensor fails, error code displays:

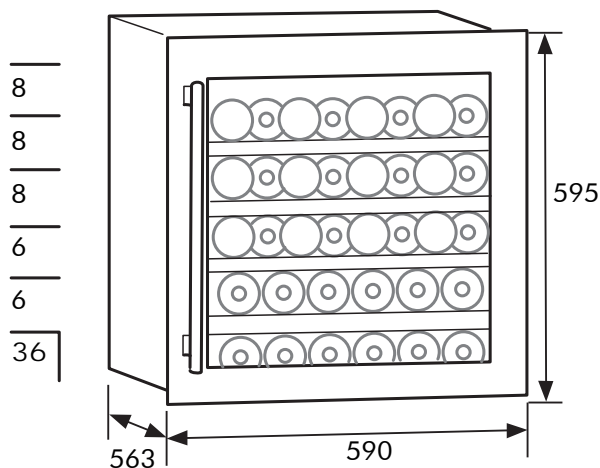
E1 for open circuit; E2 for short circuit.

When the defrost sensor failure occurs, error code displays:

E3 for open circuit; E4 for short circuit.

6. WINE STORAGE

- > The appliance equips with independent shelf to allow your collection of wine get mature quietly and peacefully.
- > 4 wooden shelves loading capacity:36 bottles. (standard Bordeaux with 750ml)



- > Loading capacity will vary in terms of different way of bottle arrangement or different bottle sizes.
- > Each shelf is designed to put on 1 or 2 layers of wine bottles. More than 2 layers of bottle arrangement on one shelf are not recommended.
- > Each shelf pulls out partly to store wine bottles easily.
- > Open the door wide enough before pulling out shelves.
- > If the wine cooler would have no load for a long time, it is recommended to power it off, clean it carefully, and open the door for ventilation.

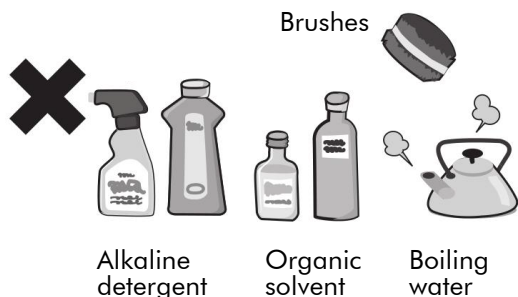
- > Below table is the recommended temperature for wine storing & drinking:

Red wine	15-18°C
White wine	9-14°C
Rose wine	10-11°C
Champagne and sparkling wine	5-8°C

7. CARE AND MAINTENANCE

7.1 Cleaning

- Disconnect the appliance before cleaning.
- Clean the appliance with soft cloth or sponge by water.
- Do not use organic solvents, alkaline detergent, boiling water, washing powder or acid liquid etc.
- Do not flush the compartment of the appliance.
- Clean regularly surfaces that can come in contact with accessible drainage systems.



7.2 Power failure

- Most power cuts could be resolved within a short time.
- To protect your wines during a power cut, avoid opening the door as much as possible. During very long power cuts, take the necessary measures to protect your wine.

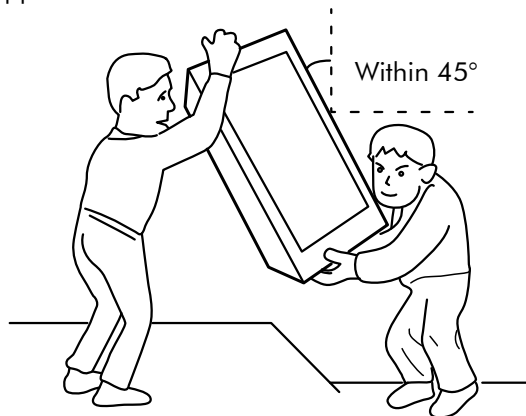
7.3 Out of service for long time

Remove all bottles from the appliance, switch off, defrost, clean, dry, and leave the door open to prevent mould developing within the appliance.

If the appliance is disconnected or if there is a power cut, you must wait at least five minutes before re-starting.

7.4 Moving the appliance

Cut off the power supply and unplug the appliance. Remove all bottles from the appliance. When moving the appliance, do not lean the appliance over 45°.



8. TROUBLESHOOTING GUIDE

You can solve many common Wine Cooler problems easily, saving you the cost of a possible service call. Try the suggestions below to see if you can solve the problem before calling the servicer.

PROBLEM	POSSIBLE CAUSE	POSSIBLE SOLUTION
Making too much noise.	- The Wine Cooler is not leveled.	- Please adjust the front foot, keep the appliance leveled. - Please keep the appliance enough distance from the walls.
Liquid flowing inside the cabinet.		- It is normal because of the refrigerant working inside.
The appliance does start.	- Not plugged in / Turned OFF. - Tripped breaker/ Blown fuse	- Make sure to turn the power On, or re-plugged the appliance. - Compressor restarts in 5minutes after a power failure.
Compressor runs continuously.		- If appliance is not cooling down call the after-sale service.
The door does not close properly.	- The Wine Cooler is not leveled. - Dirty door seal is distorted, stiff or loose.	- Please adjust the front foot, keep the appliance leveled. 1. Heat the door seal with ot-wind blower or hot towel. 2. The door seal get softened and close the door.
Temperature is not cold enough.	- Temperature not set correctly. - The door is opened too often/ or not properly closed. - Damage or loose door seal.	- Reset temperature, wait a few minutes. Environment and weather may require a higher setting. - Check the door for damages. Replace door seal. - Do not open the door too often.
Unpleasant smells inside cabinet.	- A little plastic smell for a newly bought appliance is normal and will dissipate in a short time.	- Clean the compartment and ventilate it for a few hours.
Condensation on the glass door.	- High ambient temperature and humidity can cause condensation.	- Please do not open the door frequently or for a long time. - Please do not set the temperature too low.
The light is not working.	- Not plugged in/ Turned OFF. - Tripped circuit breaker/ Blown fuse - The light button is "OFF".	- Turn it On, or re-plugged the appliance. - Check circuit breaker and fuse if working. - Check and press the light button.

8. ENVIRONMENTAL TIPS

Observe all safety and warning information during operation (see the "General Safety Instructions" section).

8.1 Disposal considerations

The transport and protective packaging has been selected from materials which are environmentally friendly for disposal, and can normally be recycled.

Recycling the packaging reduces the use of raw materials in the manufacturing process and also reduces the amount of waste in landfill sites. Ensure that any plastic wrappings, bags etc. are disposed of safely and kept out of the reach of babies and young children. Danger of suffocation.



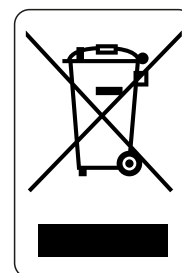
8.2 Disposing of your old appliance

Electrical devices marked with this label may not be disposed of in domestic waste at the end of their service life.

Electrical and electronic appliances often contain valuable materials. They also contain specific materials, compounds and components, which were essential for their correct function and safety. These could be hazardous to human health and to the environment if disposed of with your domestic waste or if handled incorrectly. Please do not, therefore, dispose of your old appliance with your household waste.

Please dispose of those materials by contacting your local authorities and ask for the correct method of disposal. Please ensure that your old appliance poses no risk to children while being stored prior to disposal.

By disposing of this product in accordance with the regulations, you protect the environment and the health of those around you from negative consequences.



9. WARRANTY & AFTER SALES SERVICE

Observe all safety and warning information during operation (see the "General Safety Instructions" section).

In the event of a fault which you cannot remedy yourself, please contact LeCavist.

9.1 Warranty

The manufacturer's warranty for this appliance is 2 years.

9.2 After sales service

The contact details for LeCavist are given at the beginning and end of these instructions.

When contacting LeCavist, please quote the model and serial number of your appliance. These can be found on the data plate at the back of the Wine Cooler.

Record model & serial number

Model:.....

Serial Number:.....

Register your product www.lecavist.com

9.3 Replacement of spare parts

Incorrect components can lead to personal injury or damage to the appliance. Use only genuine original Lecavist spare parts.

Modifications, additions or alterations to the appliance can lead to safety risks. If spare parts or accessories from other manufacturers are used, the warranty will be invalidated, and Lecavist cannot accept liability.

Please check www.lecavist.com for more information.

LIKE TO KNOW MORE?

For further information on all LeCavist products, or to obtain detailed dimension and installation information, phone or email our Customer Care team or visit our website: **www.lecavist.com**

Operating and installation instructions:

Original

√ Translation

Osass Australia Pty Ltd.
ACN 005 635 398
ABN 96 005 635 398

The distribution and duplication of this document, as well as the use and disclosure of its contents are prohibited unless expressly authorised.

These operating and installation instructions have been drawn up with the greatest of care. But it cannot be ruled out that subsequent technical modifications have not yet been incorporated or the relevant content has not yet been adapted. Please accept our apologies in this eventuality. An updated version can be requested from our team. Subject to printing errors and mistakes.

© LeCavist

All rights reserved.
