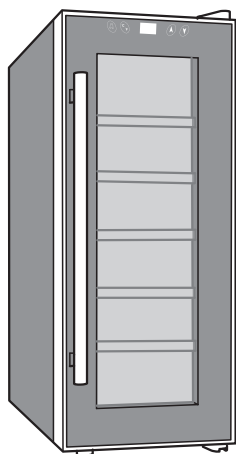


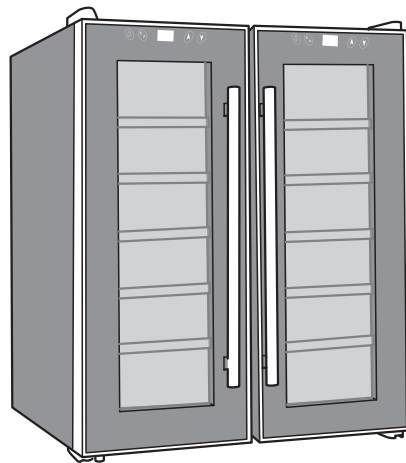
LeCavist

Instruction Manual

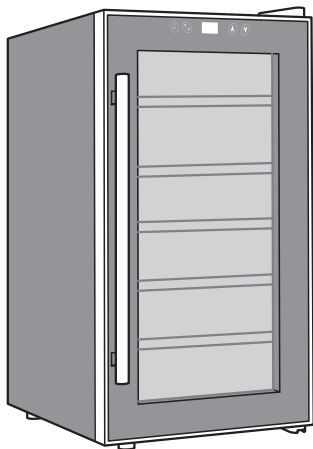
THERMOELECTRIC WINE COOLER



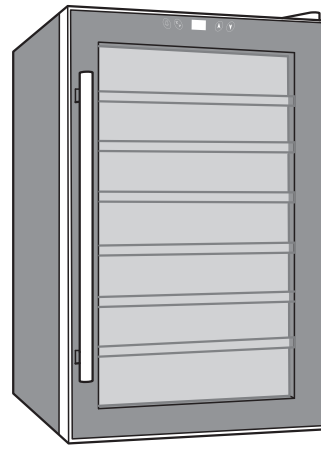
LCCV12B



LCCV24B2Z



LCCV18B



LCCV28B

CONGRATULATIONS

Congratulations and thank you for choosing LeCavist for your wine storage solution.

This appliance complies with all relevant safety requirements in Australia. Inappropriate use can, however, lead to personal injury and damage to property.

In order to operate the unit correctly and safely, please read this instruction manual carefully before installation and use. This user manual which provides you with all required instructions related to safety, installation, use and maintenance of the appliance.

For future reference, please store this booklet in a safe place and ensure that all users are familiar with the contents. Pass them on to any future owner of the appliance.

Record Model & Serial Number

Model:.....

Serial Number

Register your product at www.lecavist.com

IMPORTANT

Adherence to the directions for use in this manual is extremely important for health and safety. Failure to strictly adhere to the requirements in this manual may result in personal injury, property damage and affect your ability to make a claim under the LeCavist manufacturer's warranty provided with your product. Products must be used, installed and operated in accordance with this manual. You may not be able to claim on the LeCavist manufacturer's warranty in the event that your product fault is due to failure to adhere this manual.

Correct Conditions of Use

- The appliance is intended for use in the home and similar environments only. It is not intended for commercial use.
- The appliance is not suitable for outdoor use, non-stationary installation.
- This wine cooler can be only used to store various types of wines



Installation must comply with the valid standards, regulations and laws. All safety and warning information and the operating and installation instructions must be complied with.

TABLE OF CONTENTS

1. General Information	03	6. Operation of wine cooler	06
1.1 Appliance information	03	Recommended temperature settings	06
2. General Safety Instructions	03	Installation of the Door handle	06
2.1 General safety information	03	7. Specific precaution	06
2.2 Safety instruction - Installation	03	8. Maintenance	07
2.3 Correct use & Operation	04	9. Troubleshooting guide	07
2.4 Disassembling and Disposal	04	10. Electrical parts	07
of the Appliance		11. Environmental tips	08
2.5 Accessories and Spare parts	04	11.1 Disposal considerations	08
3. Installation instructions	04	11.2 Disposing your old appliance	08
3.1 Before Using Your Wine Cooler	04	12. Warranty and After sales	08
3.2 Defrosting	04	12.1 Warranty	08
3.3 Installation of Your Wine Cooler		12.2 After sales service	08
4. Technical data sheet	05	12.3 Replacement of spare parts	08
5. Structural diagram	05		


Additional information on products, accessories, warranty, replacement parts and services can be found at www.lecavist.com

1. GENERAL INFORMATION

1.1 Appliance Information

- A damaged appliance can be dangerous. If you find the appliance is damaged or marked, you must report it within 7 days if you wish to claim for damage/marks under the manufacturer's warranty. This does not affect your statutory rights. Do not use a damaged appliance.
- The manufacturer's warranty will be invalidated if the appliance is not repaired by a LeCavist approved service technician.
- Faulty components must only be replaced by genuine LeCavist spare parts. The manufacturer can only guarantee the safety of the appliance when LeCavist replacement parts are used.
- If the power cord is damaged, it must only be replaced by a LeCavist authorised service technician or suitably qualified electrician in order to avoid a hazard.
- LeCavist cannot be held liable for non-compliance with these instructions, resulting from incorrect or improper use or operation.

2. GENERAL SAFETY INSTRUCTIONS

 The appliance complies with the stipulated safety requirements in Australia. The user is responsible for appliance cleaning and maintenance as well as its safe use. Improper use can lead to personal injury and damage to property.

2.1 General Safety Instructions

Children and People with Special Needs



WARNING

This appliance is not intended for use by persons (including children) with reduced physical, sensory or mental capabilities, or lack of experience and knowledge, unless they have been given supervision or instruction concerning use of the appliance by a person responsible for their safety.

- The appliance is NOT suitable for use by children without supervision.
- Young children should be supervised near the appliance to ensure they do not play with this appliance.
- Children may be able to wrap themselves in packing material or pull it over their heads with the risk of suffocation. Keep children away from any packing material.

Unauthorised Modifications

Unauthorised modifications can cause the appliance to pose risks. Do not conduct any modifications to the appliance.

Cleaning & Maintenance

The device must be cleaned regularly. Dirt can lead to damage or the build up of odours.

- Always clean the appliance exactly as indicated in the operating instructions.
- Always ensure the appliance is switched off before cleaning or replacing parts.
- There is a risk of fire if cleaning is not carried out as described in these operating instructions.
- Make sure no water penetrates inside the device when cleaning. Do not use a steam cleaning appliance to clean this appliance. The steam could reach electrical components and cause a short circuit.
- In areas which may be subject to infestation by cockroaches or other vermin, pay particular attention to keeping the machine and its surroundings in a clean condition at all times. Any damage which may be caused by cockroaches or other vermin will not be covered by the machine warranty.

2.2 Safety Instructions - Installation

- In order to avoid any potential hazard, the installation instructions must be followed.
- Observe all regional regulations for the installation of ventilation systems.
- During installation, maintenance and repair work, the appliance must be disconnected from the mains electricity supply. It is only completely isolated from the electricity supply when:
 - the mains circuit breaker is switched off, or
 - it is switched off at the wall socket and the plug is withdrawn from the socket.
- Do not damage the refrigerant circuit.
- After the wine cooler is installed in place, the plug shall be easily accessible to facilitate the removal of the cooler plug in case of any accident.

- Do not pull the mains connection cable but the mains plug to disconnect your appliance from the mains electricity supply.
- Do not connect the appliance to the mains electricity supply by a multi-socket unit or an extension lead.
- Extension leads are a fire hazard and do not guarantee the required safety of the appliance.
- Tampering with electrical connections or components and mechanical parts is highly dangerous to the user and can cause operational faults. Only open the housing as described in the instructions given in "Installation" section of this booklet. Under no circumstances should any other parts of the housing be opened.
- Do not use mechanical devices or other means to accelerate the defrosting process, other than those recommended by the manufacturer.

- THIS APPLIANCE MUST BE PROPERLY EARTHED. It is most important that this basic safety requirement is present and tested regularly and, where there is any doubt, the household wiring system should be inspected

by a qualified electrician. LeCavist cannot be held liable for noncompliance with these instructions, resulting from incorrect or improper use or operation.

2.3 Correct use and Operation

- For safety reasons, this appliance may only be used after it has been installed.
- Reliable and safe operation of this appliance can only be assured if it has been connected to the main electricity supply.
- Before using the appliance, ensure that all packaging materials are removed from the appliance and make sure that the connection data on the data plate [voltage (V) and frequency (Hz)] indicated on the appliance corresponds to the voltage and frequency of the power supply in your household. Consult a qualified electrician if in doubt.
- DO NOT store or spray flammable materials in the appliance or near this appliance while it is in operation (e.g. aerosols).
- Prevent water ingress. Never sprinkle or flush the cooler using water, place the cooler in an area exposed to moisture or water sprinkling, or fill the cooler with water, so as to avoid impairment of the electric insulation of the cooler. Furthermore, failing to follow such requirements may lead to electric shock and fire, or other accidents.

- After the cooler is put into operation, never touch its inner surface, especially when your hand is wet; otherwise the skin may stick onto the inner surface to get injured.
- Regularly clean surfaces that can come in contact with food and accessible drainage systems. If the refrigerating appliance is left empty for long periods, switch off, clean, dry, and leave the door open to prevent mould developing within the appliance.
- Opening the door for long periods can cause a significant increase of the temperature in the compartments of the appliance.
- Cracks, fissures or fractures in the panels can damage the underlying electronics. Switch off and disconnect the appliance immediately.

WARNING

The refrigerant isobutane (R600a) is contained within the refrigerant circuit of the appliance, a natural gas with a high level of environmental compatibility, which is nevertheless flammable. During transportation and installation of the appliance, ensure that none of the components of the refrigerant circuit becomes damaged.

2.4 Disassembling and Disposal of the Appliance

(see the “Environmental Tips” section for best practices on disposing of this appliance).

The device must only be disassembled by trained specialists who are familiar with and comply with the standard national regulations and supplementary regulations of the local utility companies.

Work on electrical components must only be conducted by trained electrical personnel.

2.5 Accessories and Spare parts

Incorrect components can lead to personal injury or damage to the appliance. Only use original Lecavist spare parts for repairs.

Modifications, additions or alterations to the appliance can lead to safety risks. If spare parts or accessories from other manufacturers are used, the warranty will be invalidated, and Lecavist cannot accept liability.

Please check www.lecavist.com for more information.

3. INSTALLATION INSTRUCTIONS

Before Using Your Wine Cooler

- Remove the exterior and interior packing.
- Before connecting the Wine Cooler to the power source, let it stand upright for approximately 2 hours. This will reduce the possibility of a malfunction in the cooling system from handling during transportation.
- Clean the interior surface with lukewarm water using a soft cloth.
- Install the handle on the left side of the door.

Defrosting:

While running, wine cooler has got one time defrosting process every 8 hours and defrosting will last about 30 minutes. The defrosting water will be collected in the drip tray before evaporating.

At this process, the temperature display may be higher than the setting temperature.

Installation of Your Wine Cooler

- This appliance is designed for free standing or built-in (full recessed) installation.
- Place your Wine Cooler on a floor that is strong enough to support it when it is fully loaded. To level your Wine Cooler, adjust the front leveling legs at the bottom of the Wine Cooler.
Locate the Wine Cooler away from direct sunlight and sources of heat (stove, heater, radiator, etc.). Direct sunlight may affect the acrylic coating and heat sources may increase electrical consumption. Extreme cold ambient temperatures may also cause the unit not to perform properly.
- Avoid locating the unit in moist areas.
- Plug the Wine Cooler into an exclusive, properly installed-grounded wall outlet. Do not under any circumstances cut or remove the third (ground) prong from the power cord. Any questions concerning power and/or grounding should be directed toward a certified or an authorised products service center.

4. TECHNICAL DATA SHEET

Product model	LCCV12B, LCCV18B, LCCV28B	LCCV24B2Z
Rated voltage	AC 220-240V	AC 220-240V
Ampere	0.5A/0.55A	0.9A
Rated frequency	50Hz	50Hz
Climate class	N, SN, T	N, SN,T
Protection against electrical shock	I	I
Insulation foam	Cyclopentane	Cyclopentane

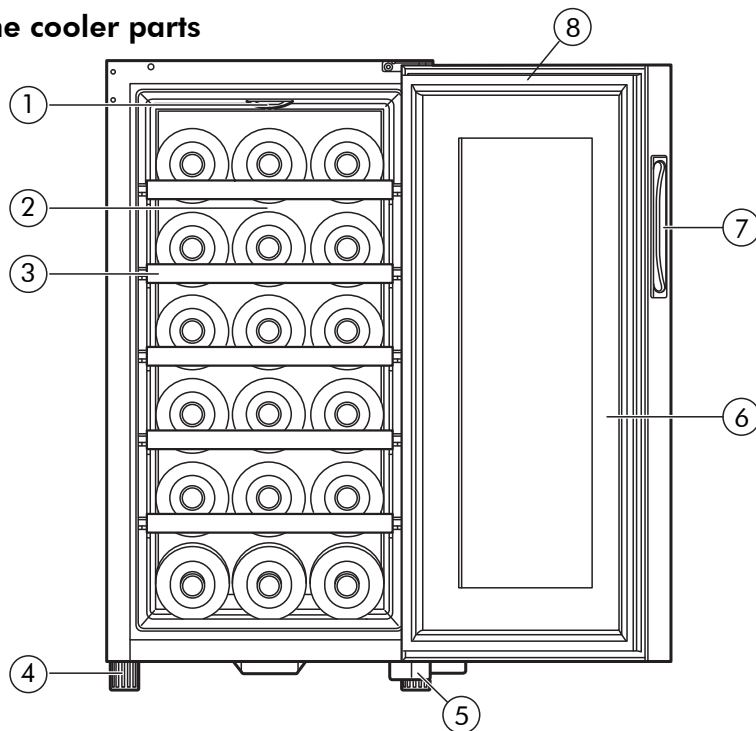
Climate class

- Extended temperate(SN): 'this refrigerating appliance is intended to be used at ambient temperatures ranging from 10 °C to 32 °C';
- Temperate(N): 'this refrigerating appliance is intended to be used at ambient temperatures ranging from 16 °C to 32 °C';
- Subtropical(ST): 'this refrigerating appliance is intended to be used at ambient temperatures ranging from 16 °C to 38 °C';
- Tropical(T): 'this refrigerating appliance is intended to be used at ambient temperatures ranging from 16 °C to 43 °C';

Note: For more information, please scan the QR code on the energy label.

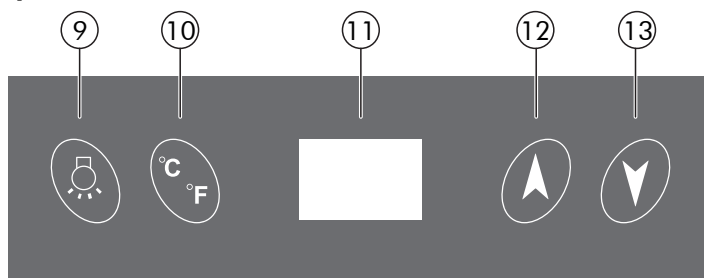
5. STRUCTURAL DIAGRAM

Wine cooler parts






1. LIGHT
2. ALUMINUM RACK
3. SHELF TRIM
4. FOOT
5. HINGE
6. MAGNETIC SEAL
7. HANDLE
8. DOOR

Control panel



9. LIGHT BUTTON
10. CELCIUS/ FAHRENHEIT
11. LCD DISPLAY
12. SET TEMP. UP BUTTON
13. SET TEMP. DOWN BUTTON

6. OPERATION OF WINE COOLER

- The internal temperature of this thermoelectric wine cooler depends on the room temperature. The wine cooler can be adjusted in the range 11–18°C ($\pm 2^\circ\text{C}$) when it is located in an ideal room temperature of 25°C.
- When first turned on, with no objects placed inside it, the wine cooler will reach the temperature programmed after 2--2.5 hours.
- When the power is connected, the cooling system starts to work.
- The temp. you want can be set by touching  and  with your finger. While the internal temperature is higher than the set temperature, the cooling system will function. While the internal temperature is lower than the set temperature, the cooling system will not function and the inside temperature will rise. When it rises above the set temperature, the cooling system will start functioning again. The wine cooler has cooling cycles.
- The light can be turned ON or OFF by touching "  ". The light will switch off 10 min after pressing the button.

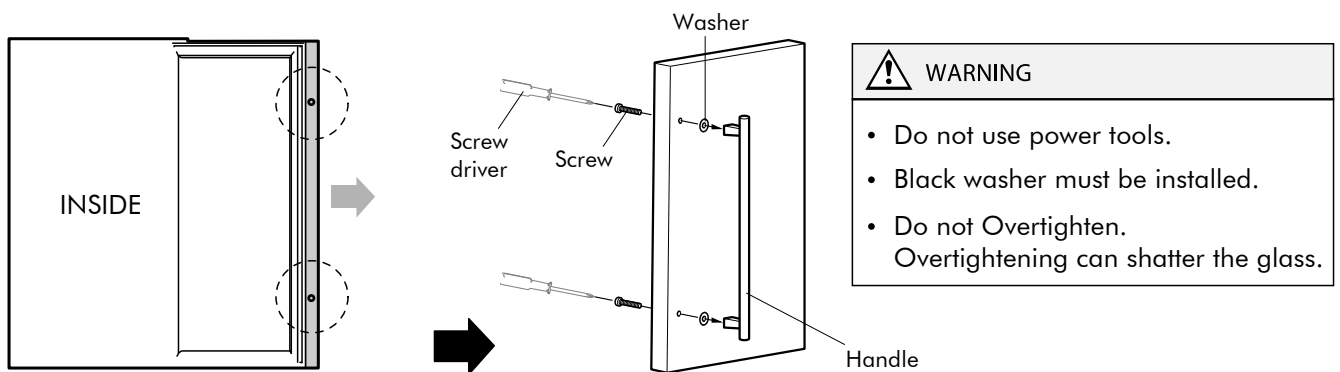
Recommended temperature settings

- This wine cooler is intended for keeping wine however can be used for other beverages including juices, nutritional drinks, soft drinks, snacks, water, and beer.
- The chart indicates the ideal storage temperatures for different types of wines:

Red Wines	15.5-18 \pm 1°C
Dry/White Wines	11-15°C
Vintage wine	13°C

Installation of the Door handle

1. Remove the rubber seal of the Door on the other side.
There will be 2 designated holes for the handle to be installed.
2. Position the handle on the outside of the door aligning the screw holes of the handle with the holes on the door.
(Black washer must be installed)
3. Tighten the screws to fix the handle to the door. DO NOT over tighten the screws.
4. Reattach the rubber seal by pressing it into the door groove.



7. SPECIFIC PRECAUTIONS

- In order to function optimally, this wine cooler needs to be placed on a flat floor with 2cm gaps to the sides and a 10cm gap at the rear.
- Use the adjusters provided to make sure the wine cooler is completely level.
- Avoid placing the wine cooler in sunlight and other heat sources.
- Hot items should be cooled down before being placed in the wine cooler.
- Do not place heavy items on the top of the wine cooler.
- Opening the door for long periods can cause a significant increase of the temperature in the compartments of the appliance.
- If the wine cooler is left empty for long periods, switch off, clean, dry, and leave the door open to prevent mould developing within the appliance.

8. MAINTENANCE

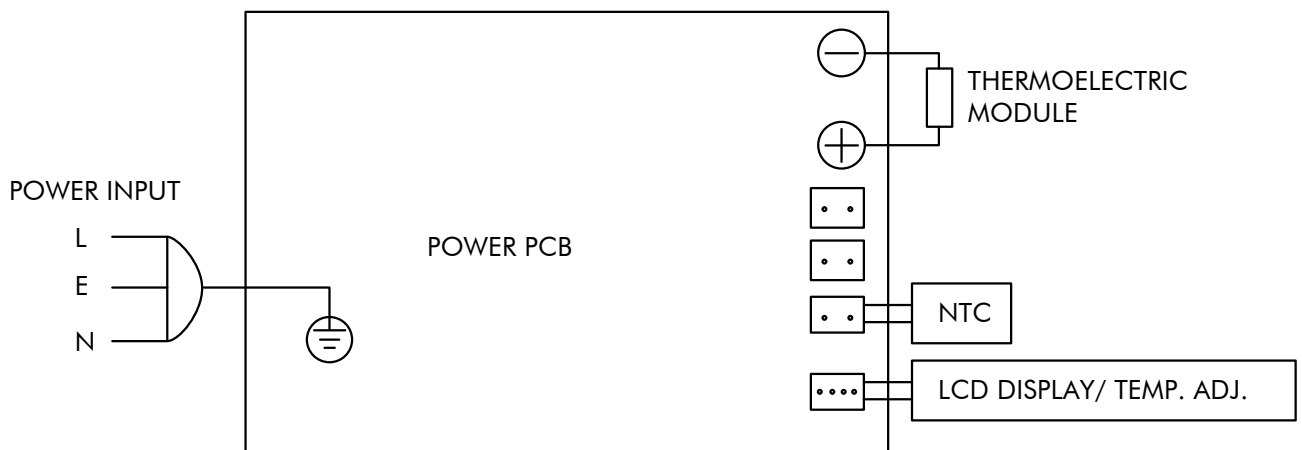
- Shut off the power supply before cleaning the interior.
- Take out all bottles, and the shelves, then clean the interior with water containing bi-card soda first, then wipe again with clean water.
- Do not use soap or detergent to clean the interior.
- Clean the wine cooler regularly.

9. TROUBLESHOOTING GUIDE

You can solve many common Wine Cooler problems easily, saving you the cost of a possible service call. Try the suggestions below to see if you can solve the problem before calling the servicer.

PROBLEM	POSSIBLE CAUSE	POSSIBLE SOLUTION
Wine Cooler does not operate.	- Not plugged in / Turned OFF. - Tripped circuit breaker/ Blown fuse	- Turn it On, or re-plug the appliance. - Check circuit breaker and fuse if working.
Temperature is not cold enough.	- Temperature control not set correctly. - The door is opened too often/ or not properly closed. - Damage or loose door seal.	- Reset temperature, wait a few minutes. Environment and weather may require a higher setting. - Check the door for damages. Replace door seal.
Turns On and Off too often.	- Wrong temperature setting. - Large contents added to wine cooler. - The door is opened too often/ or not properly closed. - Damage or loose door seal.	- Reset temperature, wait a few minutes. Environment and weather may require a higher setting. - Check the door for damages. Replace door seal.
The light does not work.	- Not plugged in/ Turned OFF. - Tripped circuit breaker/ Blown fuse - The light button is "OFF".	- Turn it On, or re-plugged the appliance. - Check circuit breaker and fuse if working. - Check and press the light button.
Vibrations.	- The Wine Cooler is not level.	- Check and adjust wine cooler feet.
Making too much noise.	- As each cycle ends, you may hear gurgling sounds caused by the flow of refrigerant. Some noise may come from the flow, which is normal. - Contraction and expansion of the inside walls may cause popping and crackling noises. - The Wine Cooler is not level.	- Check and adjust wine cooler feet.
The door does not close properly.	- The Wine Cooler is not level. - Door is reversed and/ or not installed correctly. - Dirty door seal. - Shelves are not place correctly.	- Check and adjust wine cooler feet. Choose an even/flat surface. - Re-install the door. - Replace the door seal. - Position the seal correctly.

10. ELECTRICAL PARTS



11. ENVIRONMENTAL TIPS

Observe all safety and warning information during operation (see the "General Safety Instructions" section).

11.1 Disposal considerations

The transport and protective packaging has been selected from materials which are environmentally friendly for disposal, and can normally be recycled.

Recycling the packaging reduces the use of raw materials in the manufacturing process and also reduces the amount of waste in landfill sites. Ensure that any plastic wrappings, bags etc. are disposed of safely and kept out of the reach of babies and young children. Danger of suffocation.



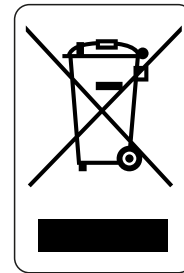
11.2 Disposing of your old appliance

Electrical devices marked with this label may not be disposed of in domestic waste at the end of their service life.

Electrical and electronic appliances often contain valuable materials. They also contain specific materials, compounds and components, which were essential for their correct function and safety. These could be hazardous to human health and to the environment if disposed of with your domestic waste or if handled incorrectly. Please do not, therefore, dispose of your old appliance with your household waste.

Please dispose of those materials by contacting your local authorities and ask for the correct method of disposal. Please ensure that your old appliance poses no risk to children while being stored prior to disposal.

By disposing of this product in accordance with the regulations, you protect the environment and the health of those around you from negative consequences.



12. WARRANTY & AFTER SALES SERVICE

Observe all safety and warning information during operation (see the "General Safety Instructions" section).

In the event of a fault which you cannot remedy yourself, please contact LeCavist.

12.1 Warranty

The manufacturer's warranty for this appliance is 2 years.

12.2 After sales service

The contact details for LeCavist are given at the beginning and end of these instructions.

When contacting LeCavist, please quote the model and serial number of your appliance. These can be found on the data plate at the back of the Wine Cooler.

Record model & serial number

Model:.....

Serial Number:.....

Register your product www.lecavist.com

12.3 Replacement of spare parts

Incorrect components can lead to personal injury or damage to the appliance. Use only genuine original LeCavist spare parts.

Modifications, additions or alterations to the appliance can lead to safety risks. If spare parts or accessories from other manufacturers are used, the warranty will be invalidated, and LeCavist cannot accept liability.

Please check www.lecavist.com for more information.

LIKE TO KNOW MORE?

For further information on all LeCavist products, or to obtain detailed dimension and installation information, phone or email our Customer Care team or visit our website: **www.lecavist.com**

Operating and installation instructions:

Original

√ Translation

Osass Australia Pty Ltd.
ACN 005 635 398
ABN 96 005 635 398

The distribution and duplication of this document, as well as the use and disclosure of its contents are prohibited unless expressly authorised.

These operating and installation instructions have been drawn up with the greatest of care. But it cannot be ruled out that subsequent technical modifications have not yet been incorporated or the relevant content has not yet been adapted. Please accept our apologies in this eventuality. An updated version can be requested from our team. Subject to printing errors and mistakes.

© LeCavist

All rights reserved.
