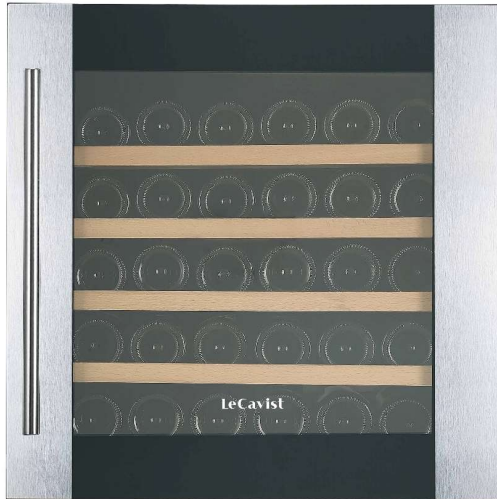


# TAS36VXBI

## 36 Bottle Built in Wine Fridge

Cuvée Pomerol



### Signature Features

#### 36 Bottle Capacity

- The capacity needed for a social season and ideal for the bottles you intend to consume within 3 months

#### Beech Wooden Shelves & Anti-Vibration System

- 2 wooden shelves give a premium look and feel, while assist in reducing vibration and allowing maximum use of internal space for your comfort

#### Double layer tempered glass

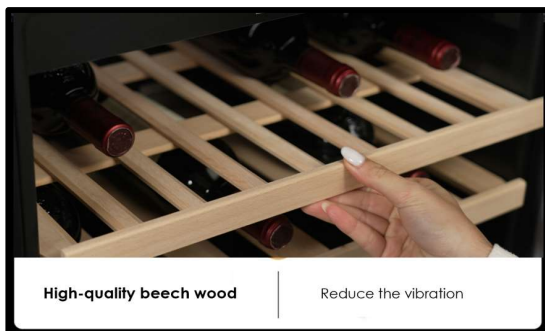
- Protect your wine collection from harmful UV rays, while keeping the interior insulated and moisture out

#### Precise Temperature & Humidity Control System

- Digital LED display and intuitive digital control to monitor and adjust for optimal temperature and humidity with just a touch of your fingertips

#### Built in installation

- Complete your luxury kitchen with a full built in wine cooler The perfect solution for a modern and stylish kitchen



**High-quality beech wood**

Reduce the vibration



**Integrated door hinge**

180 degree door rotation



**LED lighting**

Soft led light to keep your wine in good condition



**Touch Control display**

Easily adjust the temperature

Actual color may vary. Design, specifications, and color availability are subject to change without notice, check [lecast.com](http://lecast.com) for up-to-date information. © Lecavist | Australia  
JUN22.V01

# TAS36VXBI

## 36 Bottle Built in Wine Fridge

Cuvee Pomerol

### Features

- 36 Bordeaux bottles capacity
- 92L fridge capacity
- Built-in installation
- 1 zone (5-20°C)
- SN/N/ST Climate class
- Double layer tempered glass door
- Digital LED temperature & humidity control system
- Energy efficiency
- 4 beech wood shelves
- Anti-vibration system
- High efficiency compressor
- No frost system
- Quiet operation
- Stainless steel handle and door edge
- 220-240W / 50Hz

### Aesthetics

- Full black glass with Stainless steel decoration
- White LED light
- Inside temperature control display
- Door is reversible

### Warranty

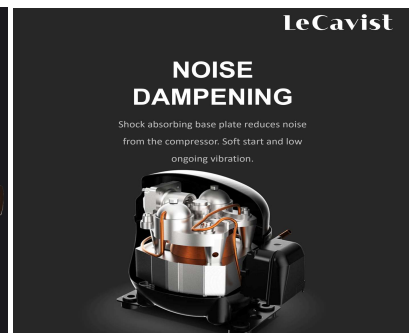
- One (1) year parts and labor
- \*Extend 1 year your warranty by registering your product [lecast.com](http://lecast.com)*

### Product Dimensions & Weight

- Outside: 590 (W) x 595 (H) x 563 (D) mm
- Weight: 32.5kg

### Shipping Dimensions & Weight

- Dimensions: 650 (W) x 655 (H) x 650 (D) mm
- Weight: 36kg



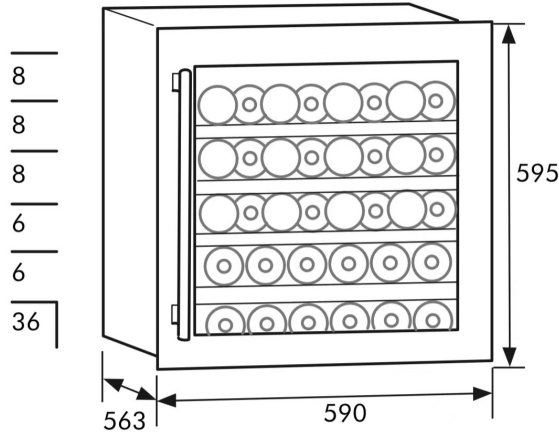
Actual color may vary. Design, specifications, and color availability are subject to change without notice, check [lecast.com](http://lecast.com) for up-to-date information. © LeCavist | Australia  
JUN22.V01

# TAS36VXBI

## 36 Bottle Built in Wine Fridge

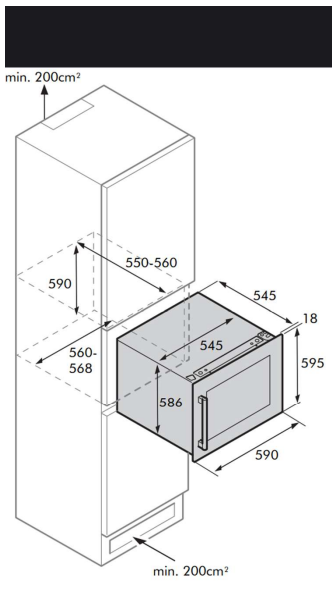
Cuvee Pomerol

### Bottle Loading Capacity



### Ideal Whine Temperature

- Amarone Classic Dry Red Wine 17°C
- Amarone Classic Dry Red Wine 17°C
- Barbaresco Wine 17°C
- Barolo Wine 17°C
- Beaujolais Wine 13°C
- Bordeaux Blanc 6°C
- Dry white wine 8°C
- Bordeaux Red Wine 17°C
- White Burgundy 11°C
- Red Burgundy 18°C
- Brunello Wine 17°C
- Champagne 6°C
- Chianti Classico 16°C
- Languedoc-Roussillon 13°C
- Passito di Pantelleria 6°C
- Provence Rose 12°C
- Sweet Sparkling Wine 6°C
- Verdicchio di Matelica 8°C
- Verdicchio dei Castelli di Jesi 8°C
- Trentino White Wine 11°C
- Franciacorta White Wine 11°C
- Aromatic White 10°C
- Fruity Dry White 8°C
- Friulano Venetian Julia White Wine 11°C
- Rodano White Wine 15°C
- Loire Dry White Wine 10°C
- Loire Liqueur Wine 10°C
- Loire Red Wine 14°C
- Passito Liqueur Wine 8 - 18°C
- Rose Wine, New Wine 12°C
- Light Red Wine with Malt Tannins 14°C
- Red Wine with a Little of Tannins 16°C



### Easy built-in installation



Actual color may vary. Design, specifications, and color availability are subject to change without notice, check [lecast.com](http://lecast.com) for up-to-date information. © Lecavist | Australia  
JUN22.V01