

Cuvée Emilion



For those working with smaller spaces, our Cuvée Emilion line will provide compact and well-constructed wine fridge. This might just be the perfect solution. Its freestanding design lets you place the fridge anywhere: kitchen floor, living room, hallway, etc.

Despite its size, it packs a punch with features, including compressor cooling technology and a digital control panel to monitor the unit's temperature and interior lights. Best of all, the wine fridge keeps your bottles cool while maintaining quiet operation, thanks to a vibration-free system.

LCS100VN

111 Bottle Single Zone Wine Fridge – 195L

Cuvee Emillion



Signature Features

111 Bottle Capacity

- The capacity needed for a social season and ideal for the bottles you intend to consume within 6 months

Compressor operated

- Compressor fridges for better cooling, lower energy consumption and reach lower temperature (5 to 20 degrees)

Wine glass holder

- Store your wine glass safe from the dust.

Precise Temperature & Humidity Control System

- Digital LED display and intuitive digital control to monitor and adjust for optimal temperature and humidity with just a touch of your fingertips

Beech Wooden Shelves & Anti-Vibration System

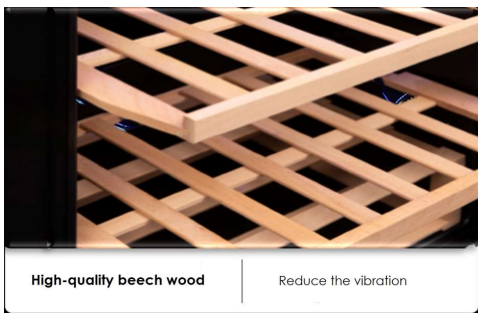
- 4 wooden shelves for a premium look and feel, while assist in reducing vibration and allowing maximum use of internal space

Champagne wooden rack

- Perfect for storing champagne bottles and over-sized wine bottles

Double layer tempered glass

- Protect your wine collection from harmful UV rays, while keeping the interior insulated and moisture out



High-quality beech wood

Reduce the vibration



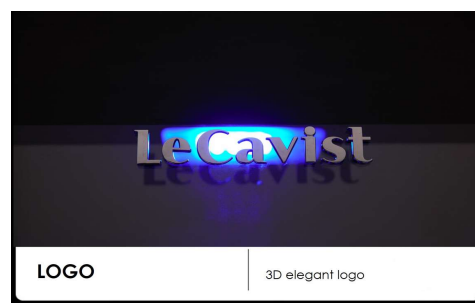
LED lighting

Soft led light to keep your wine in good condition



GLASS HOLDER

Store your wine glass safe from the dust and in a stylish way



LOGO

3D elegant logo

Actual color may vary. Design, specifications, and color availability are subject to change without notice, check lecavist.com for up-to-date information. © Lecavist | Australia
JUN22.V01

LCS100VN

116 Bottle Single Zone Wine Fridge – 195L

Cuvee Emilion

Features

- 111 Bordeaux bottles capacity
- 195L fridge capacity
- Free-standing installation
- Dual Zone (5-20°C)
- SN / N / ST Climate class
- Double layer tempered glass door
- Digital LED temperature & humidity control system
- Energy efficiency
- 4 beech wood shelves
- Anti-vibration system
- High efficiency compressor
- No frost system
- Quiet operation (45 dB(A))
- 2 Adjustable feet
- Lock
- Stainless steel handle
- 220-240W / 50Hz

Aesthetics

- Full glass door
- White LED light
- Inside temperature control display
- Door not reversible
- 2 Adjustable front feet

Warranty

- Two (2) year parts and labor
- *Extend your warranty by registering your product lecast.com*

Product Dimensions & Weight

- Outside: 500 (W) x 1250 (H) x 560 (D) mm
- Weight: 40kg

Shipping Dimensions & Weight

- Dimensions: 520 (W) x 1350 (H) x 600 (D) mm
- Weight: 45kg



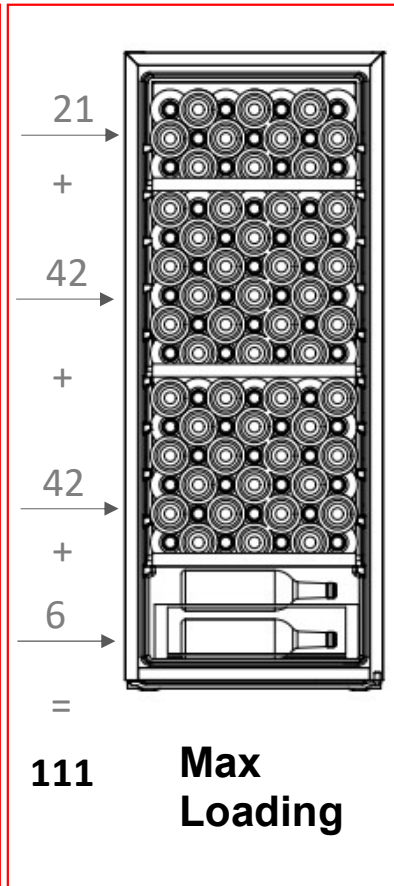
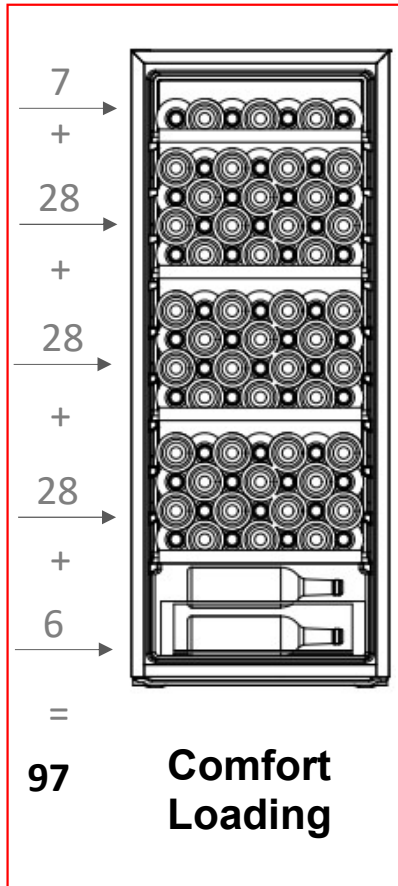
Actual color may vary. Design, specifications, and color availability are subject to change without notice, check lecast.com for up-to-date information. © Lecavist | Australia
JUN22.V01

LCS100VN

116 Bottle Single Zone Wine Fridge – 195L

Cuvee Emillon

Bottle Loading Capacity



Ideal Wine Temperature

- Amarone Classic Dry Red Wine 17°C
- Amarone Classic Dry Red Wine 17°C
- Barbaresco Wine 17°C
- Barolo Wine 17°C
- Beaujolais Wine 13°C
- Bordeaux Blanc 6°C
- Dry white wine 8°C
- Bordeaux Red Wine 17°C
- White Burgundy 11°C
- Red Burgundy 18°C
- Brunello Wine 17°C
- Champagne 6°C
- Chianti Classico 16°C
- Languedoc-Roussillon 13°C
- Passito di Pantelleria 6°C
- Provence Rose 12°C
- Sweet Sparkling Wine 6°C
- Verdicchio di Matelica 8°C
- Verdicchio dei Castelli di Jesi 8°C
- Trentino White Wine 11°C
- Franciacorta White Wine 11°C
- Aromatic White 10°C
- Fruity Dry White 8°C
- Friulano Venetian Julia White Wine 11°C
- Rodano White Wine 15°C
- Loire Dry White Wine 10°C
- Loire Liqueur Wine 10°C
- Loire Red Wine 14°C
- Passito Liqueur Wine 8 - 18°C
- Rose Wine, New Wine 12°C
- Light Red Wine with Malt Tannins 14°C
- Red Wine with a Little of Tannins 16°C



Actual color may vary. Design, specifications, and color availability are subject to change without notice, check lecast.com for up-to-date information. © Lecavist | Australia
JUN22.V01