

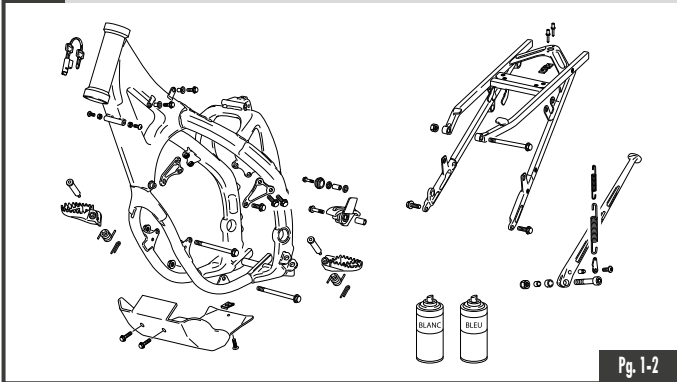
SHERCO



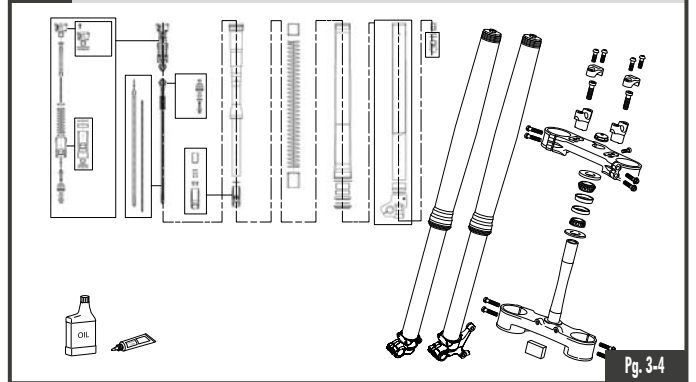
SPARE PARTS BOOK '23

250-300 SEF FACTORY

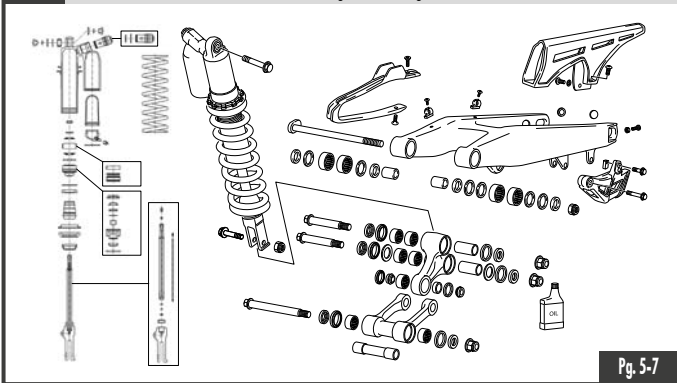
1 Cadre / Frame / Chasis



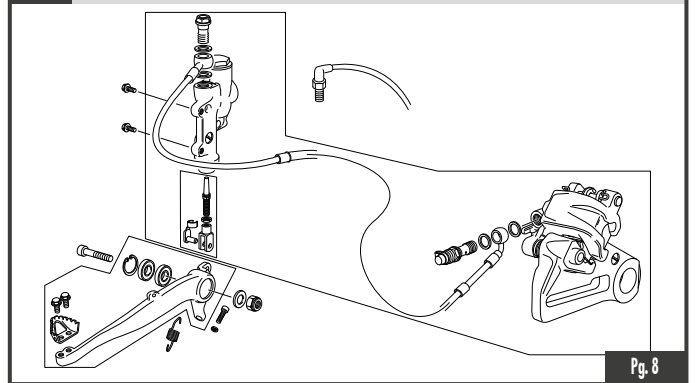
2 Fourche KAYABA / Fork KAYABA / Horquilla KAYABA



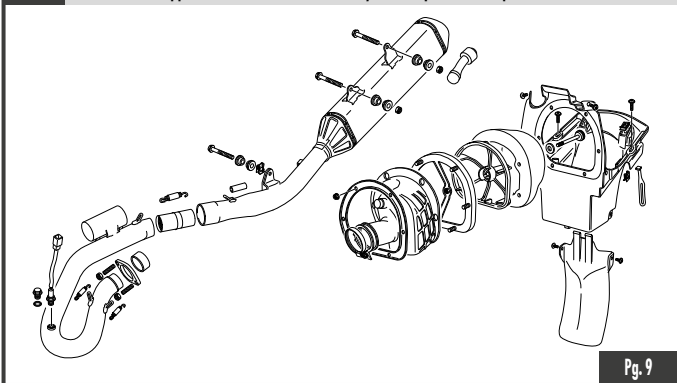
3 Amortisseur - Bras oscillant / Rear Shock - Swingarm / Amortiguador - Basculante



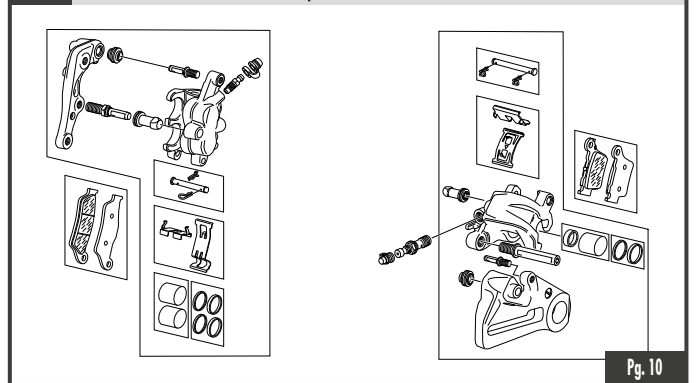
4 Frein arrière / Rear brake / Freno trasero



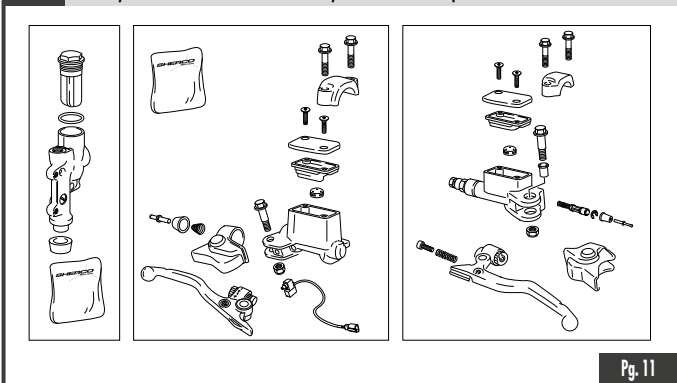
5 Boîte filtre - échappement / Air filter box - exhaust system / Caja filtro - escape



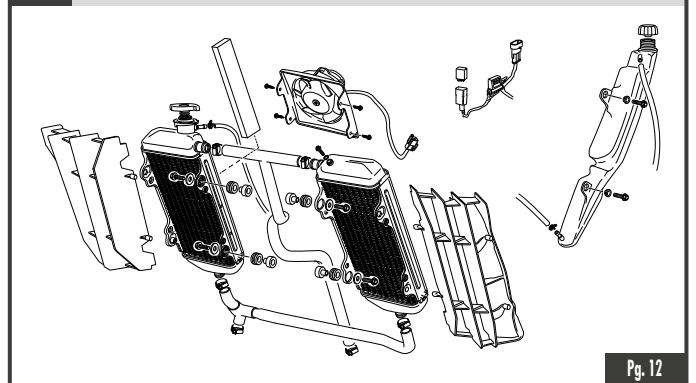
6 Etrier frein arrière-avant / Front rear caliper / Pinzas freno trasero - delantero



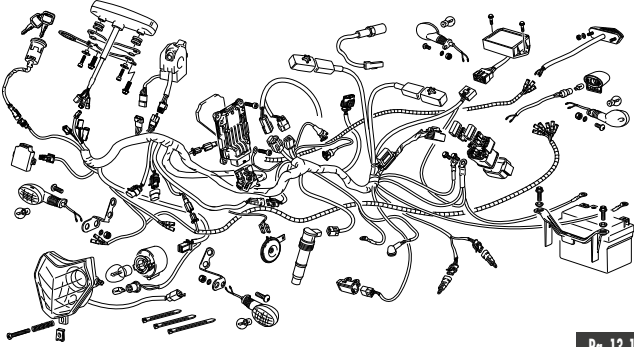
7 Maître cylindre frein avant - arrière / Master cylinder Front rear caliper / Bomba freno trasero - delantero



8 Radiateur / Radiator / Radiador

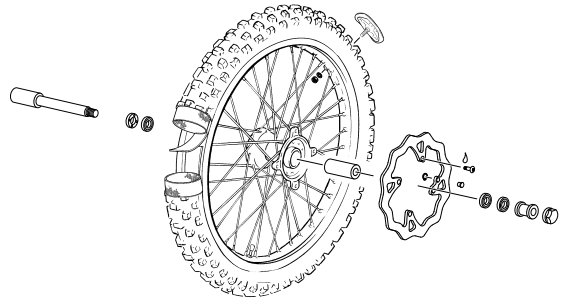


9 Faisceau électrique / Electrical system / Instalación eléctrica



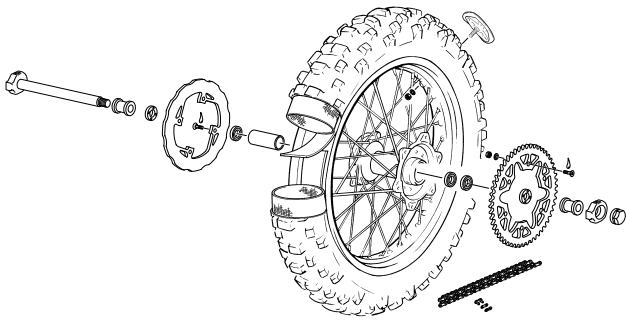
Pg. 13-14

10 Roue avant / Front wheel / Rueda delantera



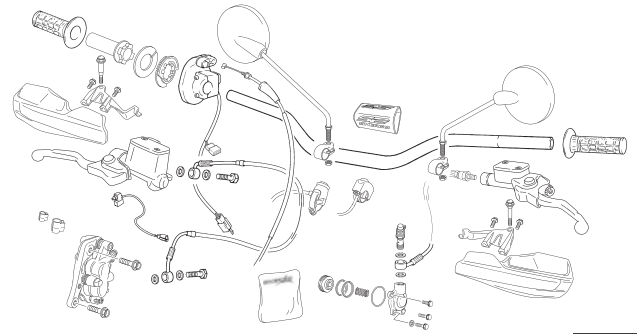
Pg. 15

11 Roue arrière / Rear wheel / Rueda trasera



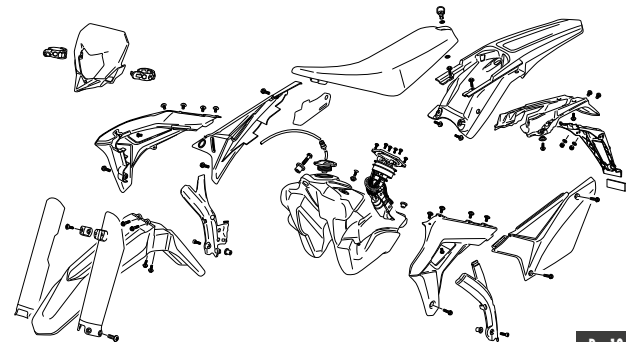
Pg. 16

12 Guidon / Handlebar / Manillar



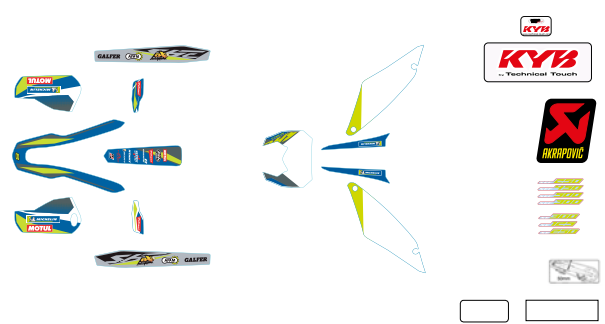
Pg. 17-18

13 Plastiques / Plastics / Plásticos



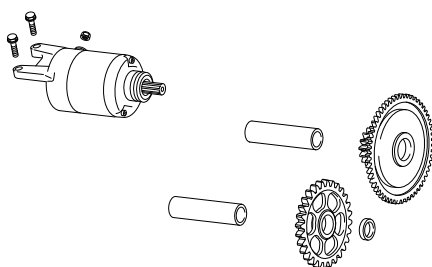
Pg. 19-20

14 Adhésif / Sticker / Adhesivo



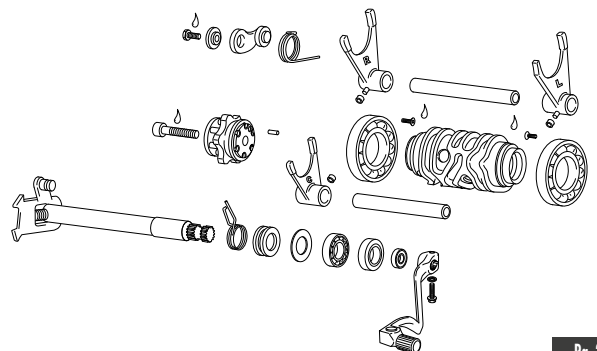
Pg. 21

15 Démarreur / Starter motor / Motor de arranque



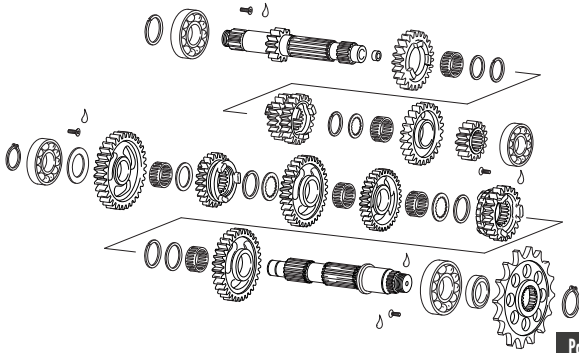
Pg. 22

16 Selecteur / Gear selector group / Selector cambio

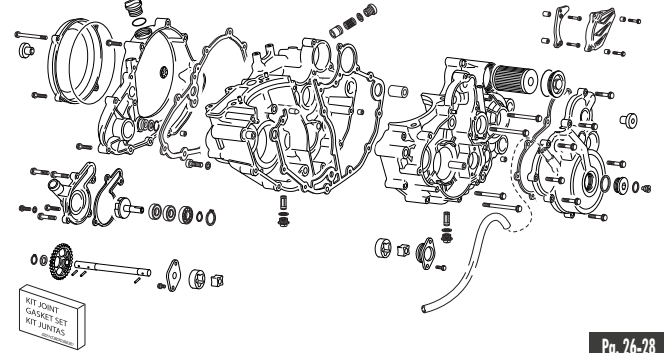


Pg. 23

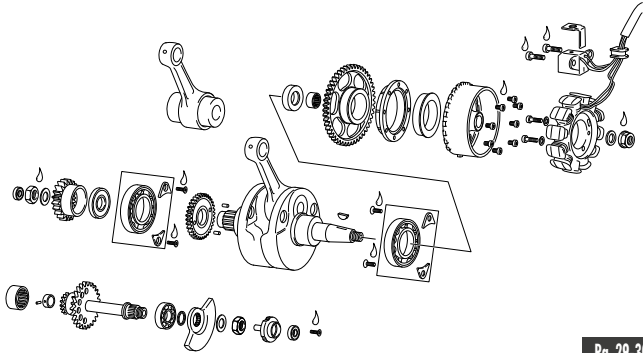
17 Boîte de vitesses / Gear set / Cambio



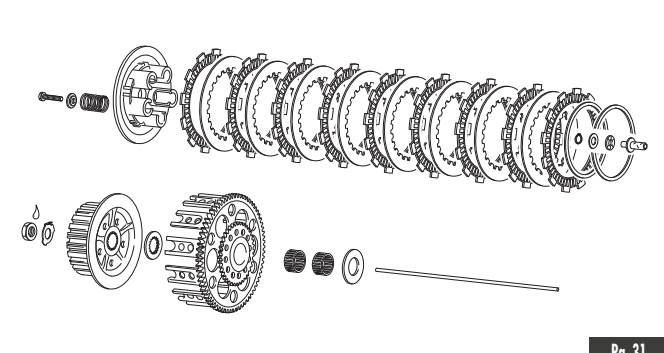
18 Groupe carter / Crankcase assembly / Grupo carter



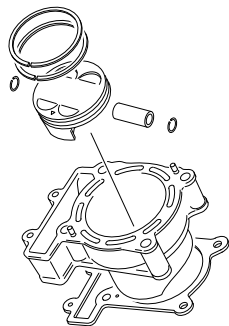
19 vilebrequin assemblé / Crankshaft assembly / Cigüeñal biela



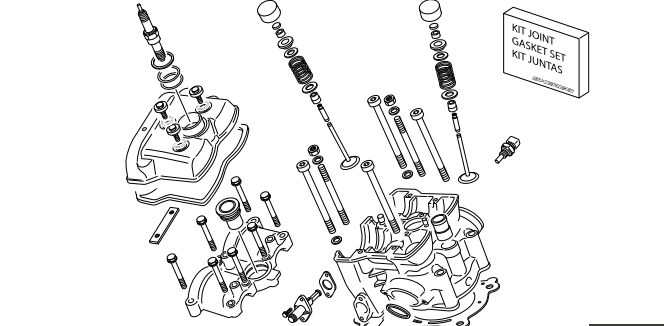
20 Embrayage / Clutch / Embrague



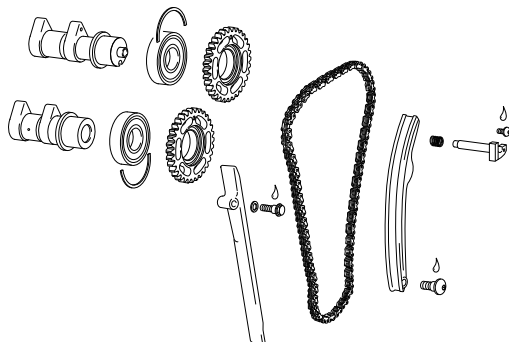
21 Cylindre / Cylinder / Cilindro



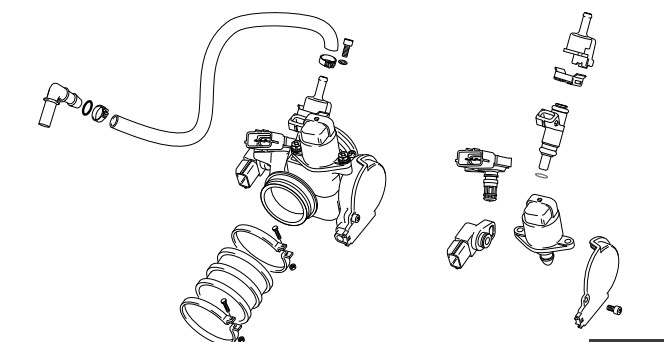
22 Culasse / Cylinder head / Culata



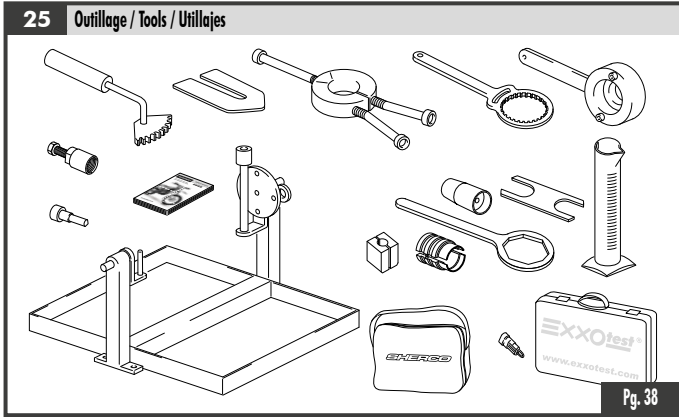
23 Distribution / Camshaft and drive assembly / Distribución



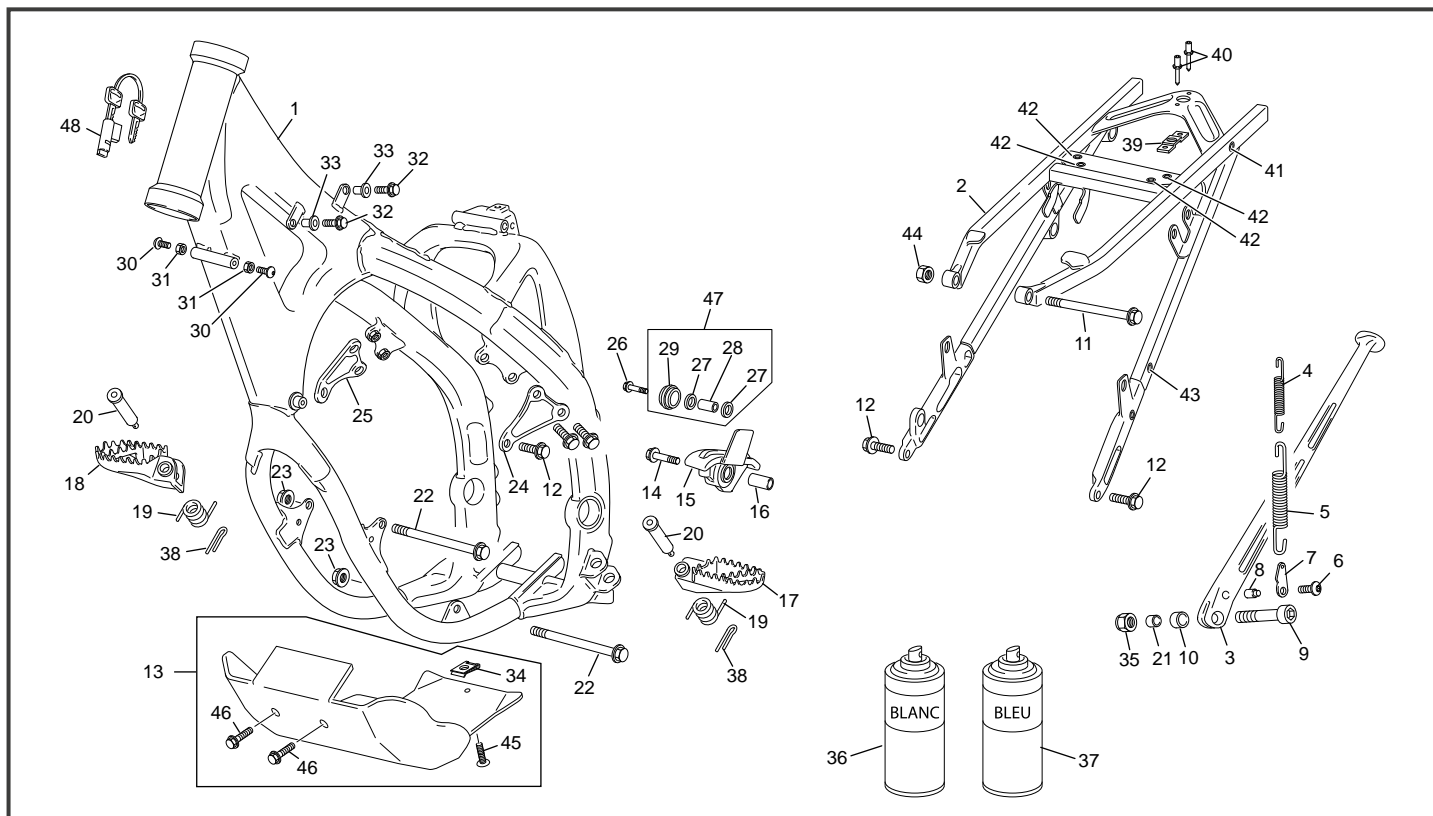
24 Corps injection / Injector body / Cuerpo inyección



25 Outillage / Tools / Utillajes



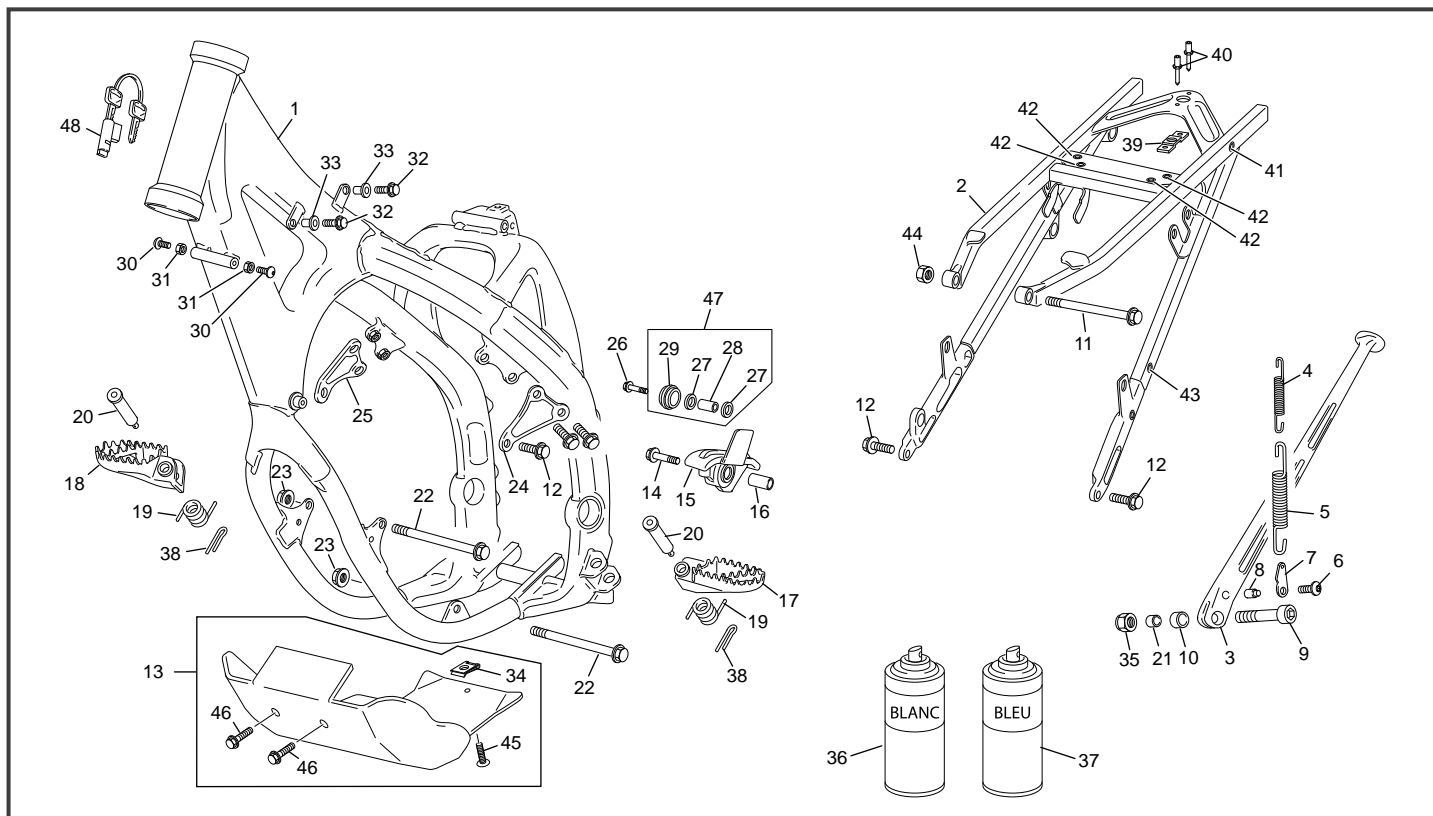
Cadre Frame / Chasis



| POS. | 250 SEF-F | 300 SEF-F | FRANÇAIS | ENGLISH | ESPAÑOL |
|------|-----------|-----------|---|--|---|
| 1 | 8738 | 8738 | CADRE 250/300 SEF BLEU SYN BLEUE KYB | FRAME PAINT 250/300 SEF SYNERJECT BLUE KYB | CHASIS PEINT 250/300 SEF SYNERJECT AZUL KYB |
| 2 | 7293 | 7293 | BERCEAU ARRIERE 250/300/450 SEF EVO | REAR SUB FRAME 250/300/450 SEF EVO | SOPORTE SILLIN 250/300/450 SEF EVO |
| 3 | 3348 | 3348 | BEQUILLE END 2012 | SIDE STAND END 2012 | CABALLETE END 2012 |
| 4 | 3086 | 3086 | RESSORT DE BEQUILLE INT END 2011 | STAND SPRING INT END 2011 | MUELLE CABALETE INT END 2011 |
| 5 | 3085 | 3085 | RESSORT BEQUILLE EXT END 2011 | SPRING STAND EXT END 2011 | MUELLE CABALETE EXT END 2011 |
| 6 | M258 | M258 | VIS BHC 5 X 16 1093 ZN NI TR | SCREW BHC 5 X 16 ZN NI TR | TORNILLO 5 X 16 ULS ZN NI TR |
| 7 | 3087 | 3087 | PLAQUE MAINTIEN RESSORT BEQUILLE END 2012 | FIXATION SIDE STAND PLATE END 2012 | PLACA FIACION CABALETTE END 2012 |
| 8 | 3450 | 3450 | ENTRETOISE CAME HOMOLOGATION BEQUILLE END | SPACER SIDE STAND END | CASQUILLO CABALLETE END |
| 9 | 3478 | 3478 | VIS CHC M10 X 40 TETE BASSE ZI BLANC END 2012 | STAND SCREW END 2010 | TORNILLO CABALETE END 2012 |
| 10 | 3089 | 3089 | ENTRETOISE RESSORT BEQUILLE END | STAND SPACER | CASQUILLO CABALETE |
| 11 | 4825 | 4825 | VIS CHC M8 X 120 DIN 912 8.8 ZI BLANC | SCREW M8 X 120 DIN 912 8.8 ZI WHITE | TORNILLO M8 X 120 DIN 912 8.8 ZI BLANCO |
| 12 | 3363 | 3363 | VIS TH EP M8 X 20 | SCREW TH EP M8 X 20 | TORNILLO TH EP M8 X 20 |
| 13 | 7508 | 7508 | SABOT PLASTIQUE 250/300 SEF EVO | SKID PLATE PLASTIC 250/300 SEF EVO | PROTECTORES CARTER PLATIC 250/300 SEF EVO |
| 14 | 0578 | 0578 | VIS TH EP M8 X 30 | SCREW TH EP M8 X 30 | TORNILLO TH EP M8 X 30 |
| 15 | 3078 | 3078 | PATIN DE CHAINE AVANT INFERIEUR END 2012 | FRONT CHAIN GUID PLATE END 2012 | PATIN CADENA DELANTERO END 2012 |
| 16 | 3479 | 3479 | DOUILLE PATIN CHAINE END 2012 | SPACER CHAIN GUIDE END 2012 | CASQUILLO PATIN CADENA END 450 |
| 17 | 0227 | 0227 | REPOSE PIED GAUCHE END | LEFT FOOT REST END | ESTIBERO |
| 18 | 0226 | 0226 | REPOSE PIED DROIT END | RIGHT FOOT REST END | ESTIBERO DER END |
| 19 | 0229 | 0229 | RESSORT REPOSE PIED END | FOOT REST SPRING END | MUELLE ESTIBERO END |
| 20 | 6482 | 6482 | AXE REPOSE PIED END | FOOT REST AXEL END | EJE ESTIBERA END |
| 21 | 0516 | 0516 | ENTRETOISE INT BEQUILLE 450 / 500 END | SPACER INT STAND 450 / 500 END | CASQUILLO INT CABALETE 450 / 500 END |
| 22 | 1672 | 1672 | AXE MOTEUR 10 X 135 | ENGIN AXEL 10 X 135 | EJE MOTOR 10 X 135 |
| 23 | 0703 | 0703 | ECROU NYLSTOP M10 EPAULE DIN 6926 | NUT NYLSTOP M10 DIN 6926 | TUERCA NYLSTOP M10 CON VALONA DIN 6926 |
| 24 | 3073 | 3073 | SUPPORT CULASSE GAUCHE 250/300 4T | LEFT CYLINDER HEAD SUPPORT 250/300 4T | SOPORTE CULATA IZQUERDO 250/300 4T |
| 25 | 3072 | 3072 | SUPPORT CULASSE DROIT 250/300 4T | RIGHT CYLINDER HEAD SUPPORT 250/300 4T | SOPORTE CULATA DERECHO 250/300 4T |
| 26 | 0578 | 0578 | VIS TH EP M8 X 30 | SCREW TH EP M8 X 30 | TORNILLO TH EP M8 X 30 |
| 27 | M027 | M027 | ROULEMENT A BILLE 608.2RSH | BALL BEARING 608.2RSH | COJINETE DE RODAMIENTO 608.2RSH |
| 28 | 0556 | 0556 | DOUILLE GALET CHAINE END 450 | SPACER CHAIN WHEEL END 450 | CASQUILLO ROLO CADENA END 450 |
| 29 | 0231 | 0231 | GALET DE CHAINE END | ROLER CHAIN GUIDE END | ROLO CADENA END |
| 30 | M280 | M280 | VIS BHC 8 X 16 ZN NI TR PRE IMPREGNEE FAIBLE | SCREW BHC 8 X 16 ZN NI TR - TL 180° | TORNILLO 8 X 16 ULS ZN NI TR - TL 180° |
| 31 | 3481 | 3481 | ECROU BAS M8 ZI BLANC | NUT M8 | TUERCA M8 |
| 32 | 0554 | 0554 | VIS TH EP 5 X 20 | SREW TH EP 5 X 20 | TORNILLO TH EP 5 X 20 |
| 33 | 0597 | 0597 | INSERT WELL NUT END 450 | INSERT WELL NUT END 450 | INJERTO WELL NUT END 450 |
| 34 | M308 | M308 | ECROU CLIP M6 0500500400 | NUT CLIP M6 | TUERCA CLIP M6 |
| 35 | M304 | M304 | ECROU NYLSTOP M10 0368.10 | NUT NYLSTOP M10 | TUERCA NYLSTOP M10 |

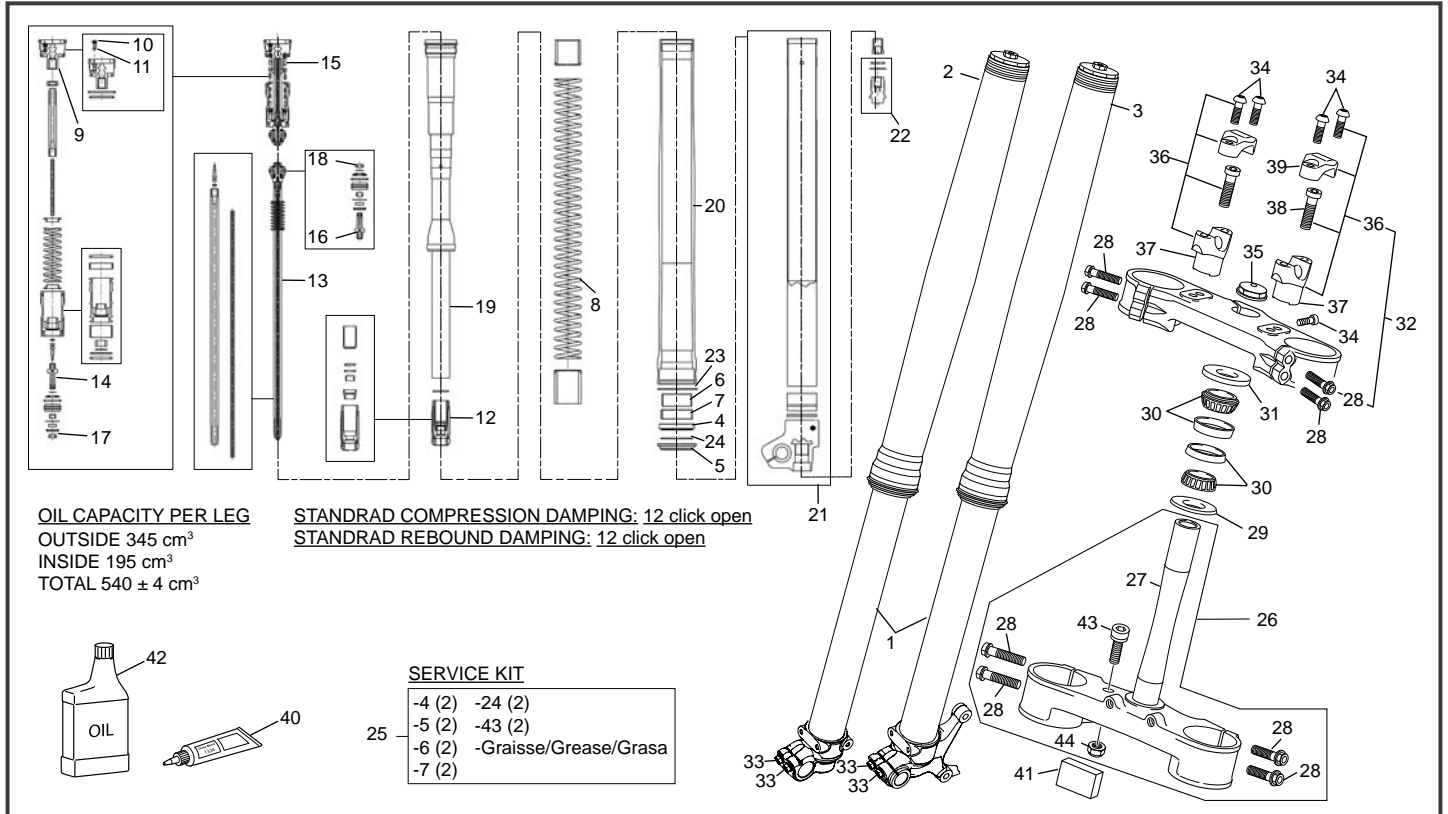
*Sherco se réserve les droits de modification des références, merci de contrôler sur le portail Sherconetwork avant toute commande. - *Sherco reserves the right to make change on the references, please check on your Sherconetwork portal before ordering.
*Sherco se reserva el derecho para hacer modificaciones sobre las referencias. Por favor, verifica en el Sherconetwork antes de hacer un pedido.

Cadre Frame / Chasis



| POS. | 250 SEF-F | 300 SEF-F | FRANÇAIS | ENGLISH | ESPAÑOL |
|------|-----------|-----------|--|------------------------------------|--------------------------------------|
| 36 | 3898 | 3898 | BOMBE DE PEINTURE RETOUCHE BLANC 250 END | CAN OF WHITE AEROSOL PAINT 250 END | POMPA AEROSOL PEINTURA WHITE 250 END |
| 37 | 3897 | 3897 | BOMBE DE PEINTURE RETOUCHE BLEU COBALT 250 END | CAN OF BLUE AEROSOL PAINT 250 END | POMPA AEROSOL PEINTURA AZUL 250 END |
| 38 | 0240 | 0240 | GOUILLE AXE REPOSE PIED END | GOUILLE 3.2X20 AXE FOOT REST END | PASADOR DIN 94 3.2X20 Z BLA |
| 39 | 6681 | 6681 | PLAQUE DZUS D8 | PLAQUE DZUS D8 | PLACA DZUS D8 |
| 40 | 0701 | 0701 | RIVET ZEBRA 3 X 10 | RIVET POP DIAM 3 X 10 | REMACHE3 X 10 |
| 41 | 1250 | 1250 | INSERT ECROUS 50 125 06 | INSERT NUT | TUERCA DE SUPORTE SILLIN 50 125 06 |
| 42 | 4772 | 4772 | INSERT RIVETE M6 FRAISE | INSERT M6 | INSERT M6 |
| 43 | 4773 | 4773 | INSERT RIVETE M5 | INSERT M5 | INSERT M5 |
| 44 | M305 | M305 | ECROU NYLSTOP M8 0368.8 | NUT NYLSTOP M8 | TUERCA NYLSTOP M8 |
| 45 | 1993 | 1993 | VIS FHC 6 X 20 1089 | SCREW FHC 6 X 20 | TORNILLO AVELLANADO M 6 X 20 |
| 46 | 7754 | 7754 | VIS TH EP EPAULE M 6 X 25 | SPECIAL SCREW TH EP 6 X 25 | TORNILLO ESPECIAL TH EP 6 X 25 |
| 47 | 5549 | 5549 | GALET DE CHAINE END COMPLET | ROLER CHAIN GUIDE END SET | ROLO CADENA END COMPLETO |
| 48 | H173 | H173 | ANTIVOL DIRECTION END | STEERING LOCK ENDURO | ANTIROBO DIRECCION END |

Fourche KAYABA Fork KAYABA / Horquilla KAYABA



| POS. | 250 SEF-F | 300 SEF-F | Français | English | Español |
|------|-----------|-----------|--|--|--|
| 1 | 7439 | 7439 | FOURCHE SHERCO KYB 250/300 2T 4T | FRONT FORK COMPLETE SHERCO KYB 250/300 2ST 4ST | HORQUILLA SHERCO KYB 250/300 2ST 4ST |
| 2 | 7656 | 7656 | JAMBE FOURCHE DROITE 250/300 KYB | RIGHT FORK LEG WP 250/300 KYB | GAMBA HORQUILLA DER WP 250/300 KYB |
| 3 | 7657 | 7657 | JAMBE FOURCHE GAUCHE 250/300 KYB | LEFT FORK LEG WP 250/300 KYB | GAMBA HORQUILLA IZQ WP 250/300 KYB |
| 4 | 7674 | 7674 | KIT JOINT 48 MM | OIL SEAL SET 48 MM | SELLO DE ACEITE SET 48 MM |
| 5 | 7675 | 7675 | KIT CACHE POUSSIERE 48 MM | DUST SEAL SET 48 MM | SELLO DE POLVO SET 48 MM |
| 6 | 7676 | 7676 | JEU PISTON 48 MM | PISTON METAL SET 48 MM | JUEGO PISTON METAL 48 MM |
| 7 | 7677 | 7677 | JEU SEGMENT METALLIQUE 48 MM | SLIDE METAL SET 48MM | GUÍA METÁLICA JUEGO 48 MM |
| 8 | 7680 | 7680 | JEUX DE RESSORT 48MM 460L 3,8N | FF SPRING SET 48MM 460L 3,8N | JUEGO DE MUELLES FF 48MM 460L 3,8N |
| 8 | 7681 | 7681 | JEUX DE RESSORT 48MM 460L 3,9N | FF SPRING SET 48MM 460L 3,9N | JUEGO DE MUELLES FF 48MM 460L 3,9N |
| 8 | 7682 | 7682 | JEUX DE RESSORT 48MM 460L 4,0N | FF SPRING SET 48MM 460L 4,0N | JUEGO DE MUELLES FF 48MM 460L 4,0N |
| 8 | 7683 | 7683 | JEUX DE RESSORT 48MM 460L 4,1N | FF SPRING SET 48MM 460L 4,1N | JUEGO DE MUELLES FF 48MM 460L 4,1N |
| 8 | 7684 | 7684 | JEUX DE RESSORT 48MM 460L 4,2N | FF SPRING SET 48MM 460L 4,2N | JUEGO DE MUELLES FF 48MM 460L 4,2N |
| 8 | 7685 | 7685 | JEUX DE RESSORT 48MM 460L 4,3N | FF SPRING SET 48MM 460L 4,3N | JUEGO DE MUELLES FF 48MM 460L 4,3N |
| 8 | 7686 | 7686 | JEUX DE RESSORT 48MM 460L 4,4N | FF SPRING SET 48MM 460L 4,4N | JUEGO DE MUELLES FF 48MM 460L 4,4N |
| 8 | 7687 | 7687 | JEUX DE RESSORT 48MM 460L 4,5N | FF SPRING SET 48MM 460L 4,5N | JUEGO DE MUELLES FF 48MM 460L 4,5N |
| 8 | 7688 | 7688 | JEUX DE RESSORT 48MM 460L 4,6 N | FF SPRING SET 48MM 460L 4,6 N | JUEGO DE MUELLES FF 48MM 460L 4,6 N |
| 9 | 7691 | 7691 | BOUCHON SUPERIEUR COMP | TOP CAP COMP | TAPA SUPERIOR COMP |
| 10 | 7692 | 7692 | VIS DE PURGE | BLEED BOLT | PERNO PURGADO |
| 11 | 7693 | 7693 | JOINT TORIQUE VIS DE PURGE | O-RING BLEED BOLT | O RING PERNO PURGADO |
| 12 | 7694 | 7694 | TETE DE CYLINDRE COMPLETE | CYLINDER HEAD COMP | TETE DE CYLINDRE COMPLETO |
| 13 | 7700 | 7700 | PISTON ROD REBOUND ASSY | PISTON ROD REBOUND ASSY | VARILLA DE PISTÓN DE COMPRESIÓN COMPLETO |
| 14 | 7697 | 7697 | BASE CALPET DE COMPRESSION | BASE VALVE COMP | CALPET COMPRESSION BÁSICOS |
| 15 | 7696 | 7696 | ENSEMBLE BASE CALPET DE COMPRESSION | BASE VALVE COMP ASSY | GOUPO CALPET COMPRESSION BÁSICOS |
| 16 | 7698 | 7698 | BASE CALPET DETENTE | BASE VALVE REBOUND | CALPET RETORNO BÁSICOS |
| 17 | 7699 | 7699 | ECROUS PLAT 6 MM | LOCK NUT FLAT 6MM BASE VALVE | TUERCA DE BLOQUEO DE VÁLVULA BASE DE 6 MM |
| 18 | 7699 | 7699 | ECROUS PLAT 6 MM | LOCK NUT FLAT 6MM BASE VALVE | TUERCA DE BLOQUEO DE VÁLVULA BASE DE 6 MM |
| 19 | 7695 | 7695 | CYLINDRE COMPLET | CYLINDER COMP | CYLINDRO COMPLETO |
| 20 | 7701 | 7701 | TUBE COMPLET | OUTERTUBE COMPLET | TUBOS COMPLETO |
| 21 | 7702 | 7702 | TUBE INTERRIEUR COMPLET DROIT | INNERTUBE COMPLET RIGHT | TUBO INTERIOR COMPLETO DERECHO |
| 21 | 7703 | 7703 | TUBE INTERRIEUR COMPLET GAUCHE | INNERTUBE COMPLET GAUCHE | TUBO INTERIOR COMPLETO GAUCHE |
| 22 | 7704 | 7704 | REGALGE DE DETENTE COMPLET | REBOUND ADJUSTER COMP | AJUSTADOR DE REBOTE |
| 23 | 7705 | 7705 | RONDELLE FOUREAU | SNAP RING OUTERTUBE | ANNELO TUBOS EXTERIOR |
| 24 | 7718 | 7718 | JOINT RACLEUR | SCRAPER SEAL | SELLO DE RASPADOR |
| 25 | 7673 | 7673 | KIT ENTRETIEN | SERVICE KIT | KIT DE MANTENIMIENTO |
| 26 | 9002 | 9002 | T FOURCHE INF COMPLET KYB DIRLOCK SE/SEF | LOWER PLATE FORK SET KYB DIRLOCK SE / SEF | PLATINA INF HORQUILLA KYB DIRLOCK SE / SEF |

Fourche KAYABA Fork KAYABA / Horquilla KAYABA

OIL CAPACITY PER LEG
 OUTSIDE 345 cm³
 INSIDE 195 cm³
 TOTAL 540 ± 4 cm³

STANDRAD COMPRESSION DAMPING: 12 click open
STANDRAD REBOUND DAMPING: 12 click open

SERVICE KIT

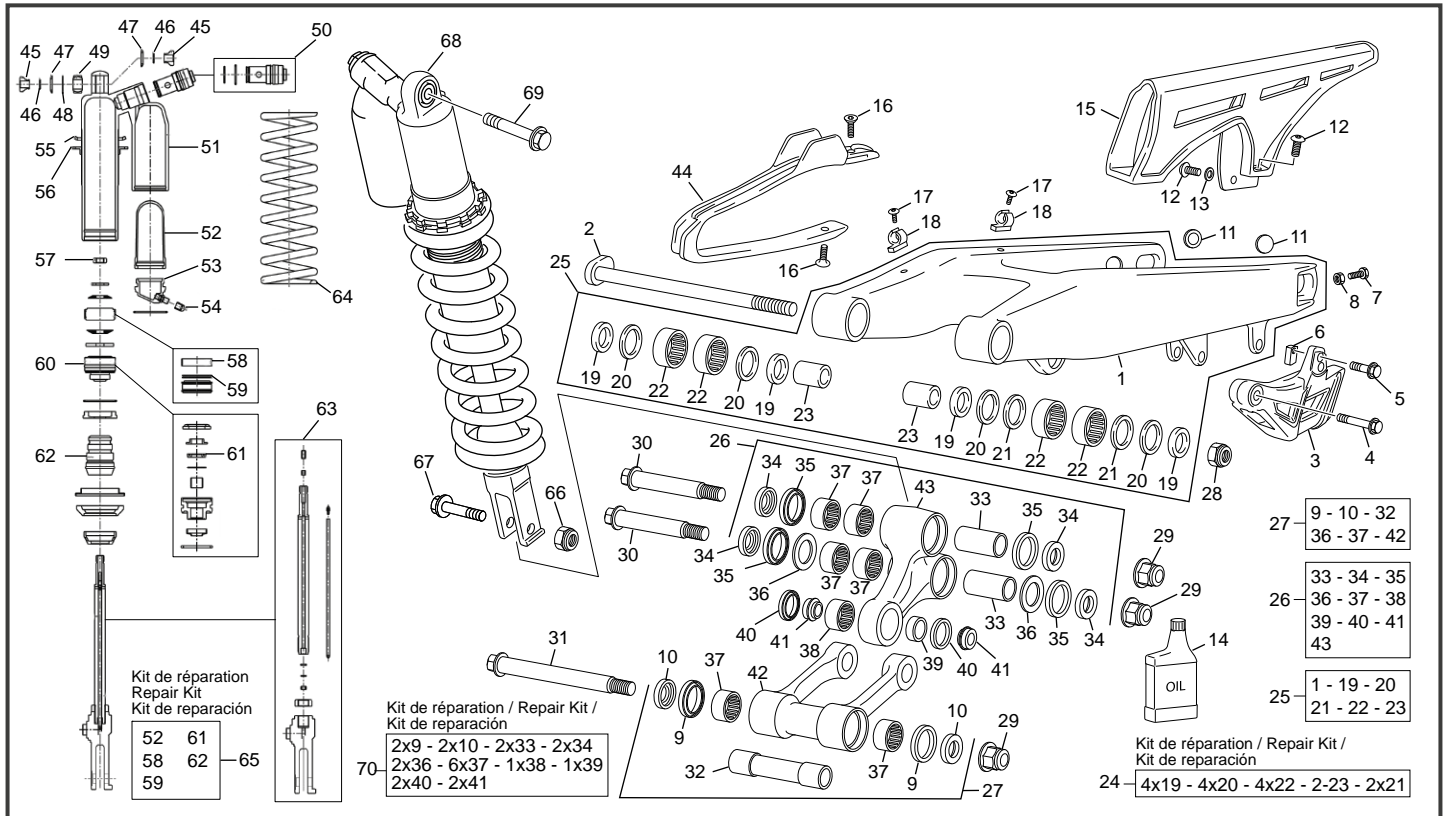
- 4 (2) -24 (2)
- 5 (2) -43 (2)
- 6 (2) -Graisse/Grease/Grasa
- 7 (2)

Diagram labels: 9, 10, 11, 12, 13, 14, 15, 16, 17, 18, 19, 20, 21, 22, 23, 24, 25, 26, 27, 28, 29, 30, 31, 32, 33, 34, 35, 36, 37, 38, 39, 40, 41, 42, 43, 44.

| POS. | 250 SEF-F | 300 SEF-F | FRANÇAIS | ENGLISH | ESPAÑOL |
|------|-----------|-----------|--|--|--|
| 27 | 0348 | 0348 | PIVOT DIRECTION END 450 | STEERING AXEL END 450 | EJE DIRECTION END 450 |
| 28 | 8397 | 8397 | VIS TH EP M8 X 35 TORX | SCREW SPECIAL M 8 X 35 TORX | TORNILLO HEXA M8 X 35 TORX |
| 29 | 0410 | 0410 | JOINT DIRECTION INF END | SEAL DIRECTION END | JUNTA DIRECTION INF END |
| 30 | 0353 | 0353 | ROULEMENT DIRECTION 320/28X/Q END | BEARING 320/28X/Q END | COJINET DIRECTION 320/28X/Q END |
| 31 | 0354 | 0354 | PROTECTEUR SUP COLONNE DIRECTION END 450 | PROTECTOR DIRECTION BEARING END 450 | PROTECTOR COJINET DIRECTION END 450 |
| 32 | 10034 | 10034 | T FOURCHE SUP COMPLET SEF SE EVO | UPPER PLAT FORK STE FACTORY SEF SE EVO | PLATINA SUP HORQUILLA JUEGO FACTORY EVO |
| 33 | 8366 | 8366 | VIS PIED DE FOURCHE KYB | FORK AXCEL BRACKET SCREW KYB | TORNILLO ESPECIAL KYB |
| 34 | 6874 | 6874 | VIS M8X25 | SCREW M8X25 | TORNILLO M8X25 |
| 35 | 0460 | 0460 | ECROU PIVOT DIRECTION END 450 | STEERING AXEL BOLT END 450 | TUERCA EJE DIRECTION END 450 |
| 36 | 8597 | 8597 | BRIDE GUIDON COMPLETE SE SEF 42.5 | HANDELBAR HOLDER SET SE SEF 42.5 | BRIDA INF MANILLAR JUEGO SE SEF 42.5 |
| 37 | 3257 | 3257 | BRIDE GUIDON INFERIEURE 42.5 END 2011 | BRIDE INF HANDLE BAR 42.5 END 2011 | BRIDA INFERIOR 42.5 MANILLARD END 2011 |
| 37 | 3258 | 3258 | BRIDE GUIDON INFERIEURE 50 MM END 2011 | BRIDE INF HANDLE BAR 50MM END 2011 | BRIDA INFERIOR 50MM MANILLARD END 2011 |
| 37 | 3259 | 3259 | BRIDE GUIDON INFERIEURE 57.5 MM END 2011 | BRIDE INF HANDLE BAR 57.5MM END 2011 | BRIDA INFERIOR 57.5MM MANILLARD END 2011 |
| 38 | 3255 | 3255 | VIS CHC M10 X35 NEKEN | SCREW CHC M10 X35 NEKEN | TORNILLO CHC M10 X35 NEKEN |
| 39 | 3256 | 3256 | BRIDE GUIDON SUPERIEURE END | BRIDE SUP HANDLE BAR END | BRIDA SUPERIOR MANILLARD END |
| 40 | 7721 | 7721 | GRAISSE 250 ML | GREASE 250ML | GRASA 250 ML |
| 41 | 3924 | 3924 | ADHESIF GUIDE DURITE END 12 | DECALC HOSE GUIDE END 12 | AD. PATIN TUBOS END 12 |
| 42 | 7719 | 7719 | HUILE DE FOURCHE 1L | FRONTFORK OIL 01M 1L | ACEITE HORQUILLA 1L |
| 42 | 7720 | 7720 | HUILE DE FOURCHE 5L | FRONTFORK OIL 01M 5L | ACEITE HORQUILLA 5L |
| 43 | 8950 | 8950 | VIS TE INFERIEURE BLOCAGE DIRECTION | SELF BRITTLE SCREW DIERTION LOCK | TORNILLO BLOQUEO DE DIRECCIÓN INFERIOR |
| 44 | C575 | C575 | ECROU M12 NYLSTOP | NUT M12 NYLSTOP | TUERCA M12 AUTOBLOCANTE |

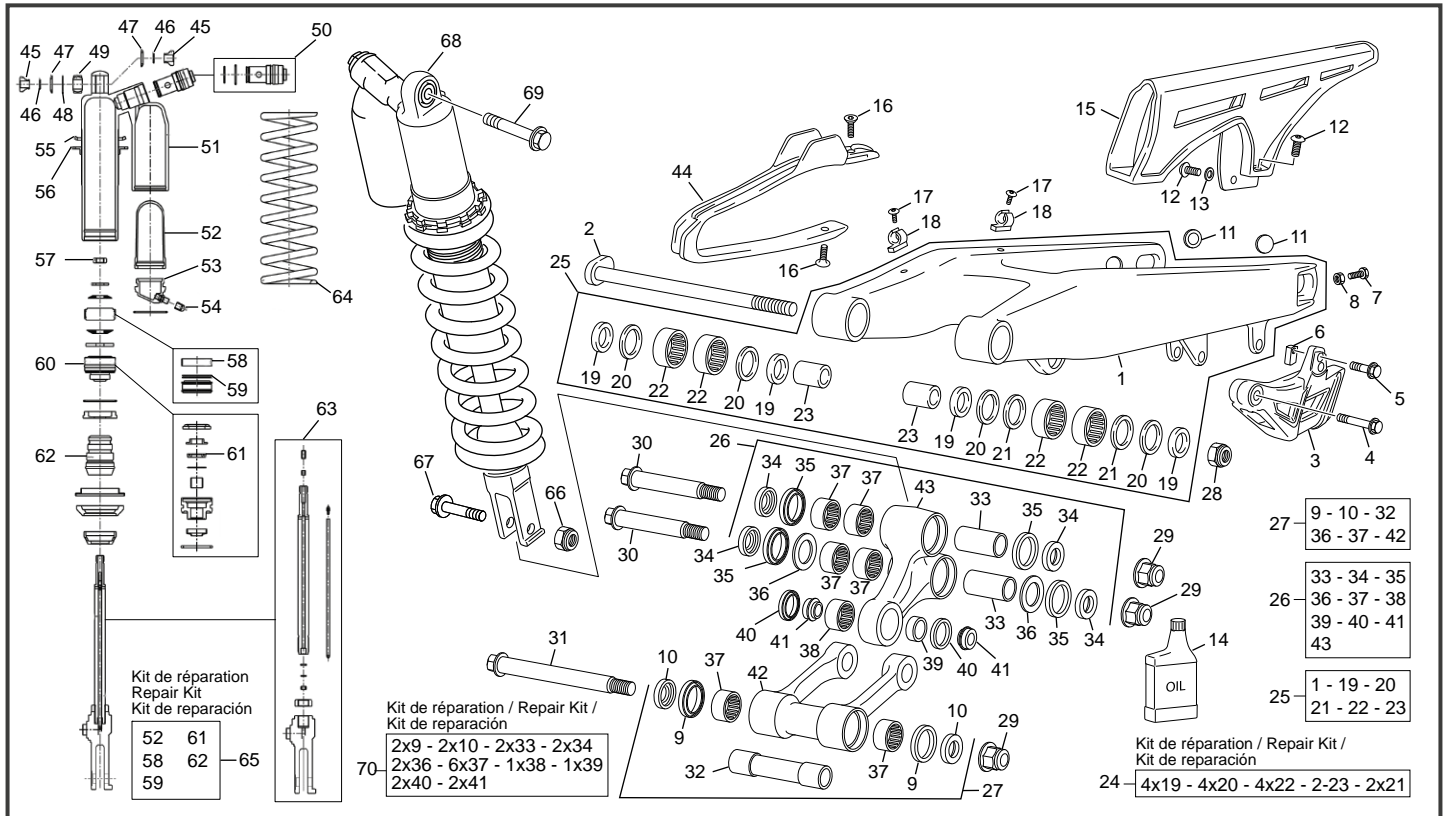
*Sherco se réserve les droits de modification des références, merci de contrôler sur le portail Sherconetwork avant toute commande. - *Sherco reserves the right to make change on the references, please check on your Sherconetwork portal before ordering.
 *Sherco se reserva el derecho para hacer modificaciones sobre las referencias. Por favor, verifica en el Sherconetwork antes de hacer un pedido.

Amortisseur - Bras oscillant Rear Shock - Swingarm / Amortiguador - Basculante



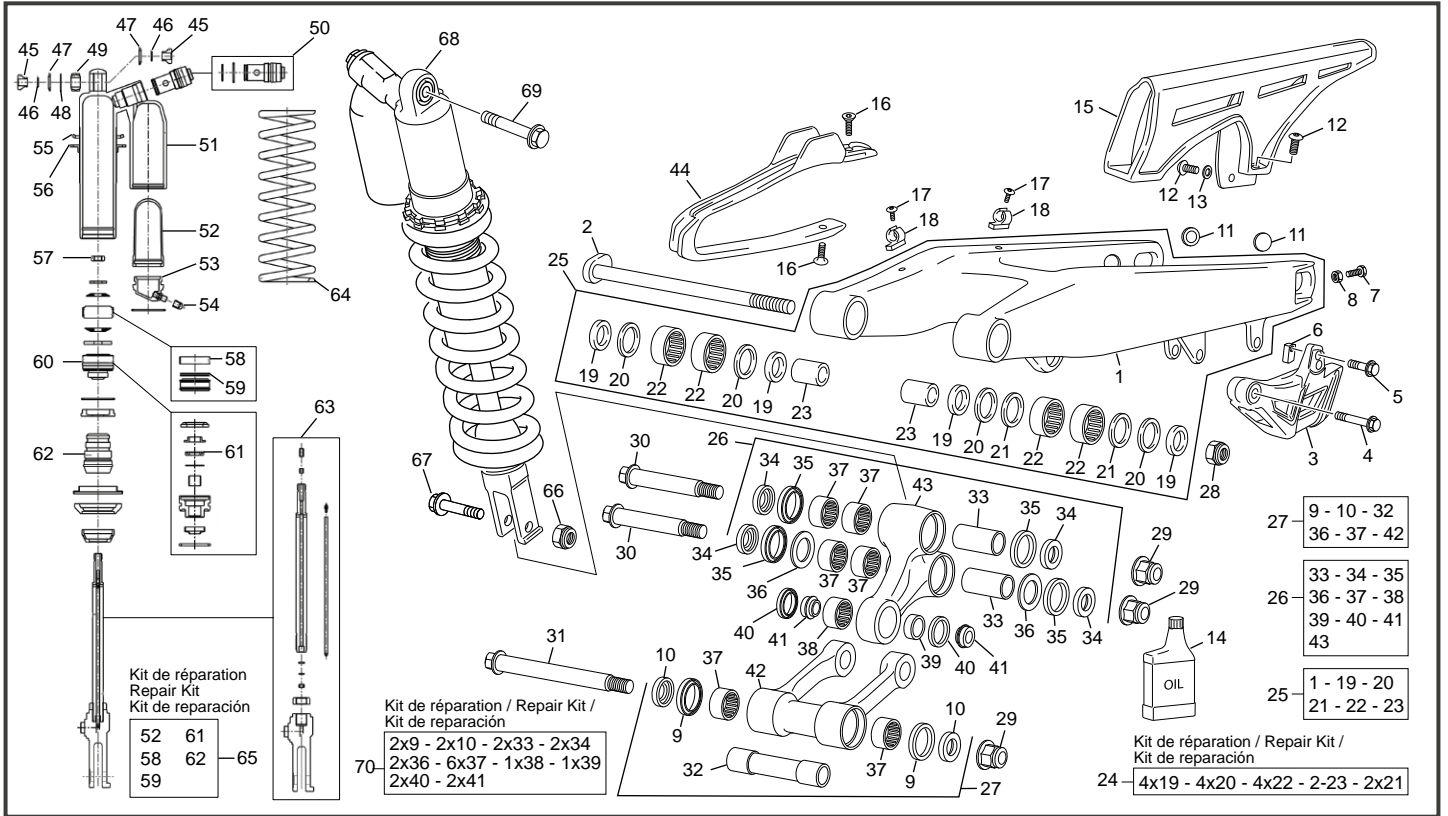
| POS. | 250 SEF-F | 300 SEF-F | FRANÇAIS | ENGLISH | ESPAÑOL |
|------|-----------|-----------|--|---|--|
| 1 | 8144 | 8144 | BRAS OSCILLANT SE SEF EVO2 | SWINGARM SE SEF EVO2 | BASCULANTE SE SEF EVO2 |
| 2 | 0451 | 0451 | AXE BRAS END 450 | AXEL SWINGARM END 450 | EJE BASCULANTE END 450 |
| 3 | 4533 | 4533 | GUIDE CHAINE END RACING BLEU | CHAIN GUID END RACING BLUE | GUIDA CADENA END RACING AZUL |
| 4 | 0549 | 0549 | VIS TH EP 6 X 45 | SREW TH EP 6 X 45 | TORNILLO TH EP 6 X 45 |
| 5 | 0546 | 0546 | VIS TH EP 6 X 20 | SREW TH EP 6 X 20 | TORNILLO TH EP 6 X 20 |
| 6 | 2343 | 2343 | ECROU SPECIAL PATIN DE CHAINE(2 PIECES) | CHAIN GUIDE SCREW (2 PARTS) | TUERCA ESPECIAL CHAIN GUIDE (2 PIEZAS) |
| 7 | 0462 | 0462 | VIS TENDEUR DE CHAINE | TENSOR CHAIN SCREW | TORNILLO TENSOR CADENA |
| 8 | M272 | M272 | ECROU EMBASE X8 0692 | COLLAR HEX NUT M8 | TUERCA CON VALONA M8 |
| 9 | 6493 | 6493 | JOINT LEVRE 25X32X4 | OIL SEAL 25X32X4 | RETEN 25X32X4 |
| 10 | 8137 | 8137 | RONDELLE ENTRETOISE INF AMORTISSEUR SE SEF | LOW SHOCK ABSORBER SPACER WASHER SE SEF | CASQUILLO ARRANDELA AMORTIGUADOR SE SEF |
| 11 | 1103 | 1103 | RONDELLE ENTRETOISE BIELLETTE H EVO2 | H LINK SPACER WASHER SE SEF EVO2 | CASQUILLO ARRANDELA BIELETA H SE SEF EVO2 |
| 12 | M283 | M283 | VIS BHC 6 X 16 1093 ZI NI TR | SCREW BHC 6 X 16 ZI NI TR | TORNILLO 6 X 16 ULS ZI NI TR |
| 13 | C427 | C427 | RONDELLE M6 X 15 | WASHER M6 X 15 | ARANDELA M6 X 15 |
| 14 | 7749 | 7749 | HUILE AMORTISSEUR 1L | SHOCK OIL 1L | ACEITE HORQUILLA 1L |
| 14 | 7750 | 7750 | HUILE AMORTISSEUR 5L | SHOCK OIL 5L | ACEITE HORQUILLA 5L |
| 15 | 0298 | 0298 | CARTER DE CHAINE END 450 | CHAIN PROTECTOR END 450 | CADENA PRODECTOR END 450 |
| 16 | C432 | C432 | VIS FHC M6 X 16 | SCREW FHC M6 X 16 | TORNILLO FHC M6 X 16 |
| 17 | M278 | M278 | VIS BHC 5 X10 1093 ZN NI TR TUFLOK180 | SCREW BHC 5X10 ZN NI TR TUFLOK 180 | TORNILLO 5 X 10 ULS ZN NI TR TUFLOK 180 |
| 18 | 0307 | 0307 | GUIDE DURITE FREIN AR END 450 | HOSE BRACK HOLDER END 450 | SUPPORTO TUBO FRENO END 450 |
| 19 | 0440 | 0440 | ENTRETOISE ETANCHEITE BRAS 22X28X5 | SPACER SWING ARM 22X28X5 | CASQUILLO BASCULANTE 22X28X5 |
| 20 | 0292 | 0292 | JOINT LEVRE 28X35X4 | OIL SEAL 28X35X4 | RETEN 28X35X4 |
| 21 | 0398 | 0398 | RONDELLE CALAGE BRAS OSCILLANT 22 X 0.8 | WASHER SWING ARM 22 X 0.8 | ARANDELA REGLAJE 22 X 0.8 |
| 22 | 0290 | 0290 | DOUILLE AIGUILLE HK 2216 | NEEDLE BEARING HK 2216 | CASQUILLO AGUJAS HK 2216 |
| 23 | 0291 | 0291 | ENTRETOISES INTERNE 17X22X38 | SPACER INTERNE 17X22X38 | CASQUILLO INTERNE 17X22X38 |
| 24 | 8450 | 8450 | KIT REFECTION BRAS OSCILLANT SE SEF | REBUILT KIT SWIGN ARM SE SEF | KIT DE RECONSTRUCCIÓN BASCULANTE SE SEF |
| 25 | 6686 | 6686 | BRAS OSCILLANT END COMPLET | SWINGARM END ASSEMBLY | BASCULANTE END COMPLETO |
| 26 | 8444 | 8444 | BIELLETTTE DELTA END 250/510 COMPLETE EVO | LINK DELTA END 250/510 END ASSEMBLY EVO | TRAPECIO END 250/510 END COMPLETO EVO |
| 27 | 8443 | 8443 | BIELLETTTE H END COMPLETE D14 EVO | FORK LINK END ASSEMBLY D14 EVO | BIELETA H END COMPLETA D14 EVO |
| 28 | 7506 | 7506 | ECROU BRAS OSCILLANT SE SEF EVO | REAR BOLT SWINGARM AR SE SEF EVO | TUERCA BASCULANTE SE SEF EVO |
| 29 | 0444 | 0444 | ECROU NYLSTOP EPAULE M12 | SCREW NYLSTOP EPAULE M12 | TUERCA AUTOBLOCANTE CON VALONA M12 BOSSARD |
| 30 | 6489 | 6489 | AXE BIELLETTE DELTA M14 SE SEF | AXEL DELTA LINK M14 SE SEF | EJE BIELETA DELTA M14 SE SEF |
| 31 | 6492 | 6492 | AXE BIELLETTE H 14 MM SE SEF | AXEL FORK LINK 14 MM SE SEF | EJE BIELETA H 14 MM SE SEF |
| 32 | 8148 | 8148 | ENTRETOISE BIELLETTE H SE SEF 14MM | H LINK SPACER SE SEF 14 MM | CASQUILLO BIELETA H SE SEF 14 MM |
| 33 | 6486 | 6486 | ENTRETOISE CAGE AIGUILLES BIELLETTE DELTA SE SEF | DELTA LINK SPACER SE SEF | CASQUILLO BIELETA DELTA SE SEF |
| 34 | 6485 | 6485 | RONDELLE ENTRETOISE BIELLETTE DELTA SE SEF | DELTA LINK SPACER WASHER SE SEF | CASQUILLO ARRANDELA BIELETA DELTA SE SEF |

Amortisseur - Bras oscillant Rear Shock - Swingarm / Amortiguador - Basculante



| POS. | 250 SEF-F | 300 SEF-F | FRANÇAIS | ENGLISH | ESPAÑOL |
|------|-----------|-----------|--|---|---|
| 35 | 6493 | 6493 | JOINT LEVRE 25X32X4 | OIL SEAL 25X32X4 | RETEN 25X32X4 |
| 36 | 6484 | 6484 | RONDILLE CALAGE 20X31.5X1 | WASHER 20X31.5X1 | ARANDELA 20X31.5X1 |
| 37 | 6495 | 6495 | DOUILLE AIGUILLE JOINTIVE DL 20X26X16 | NEEDLE BEARING DL 20X26X16 | CASQUILLO AGUJAS DL 20X26X16 |
| 38 | 8139 | 8139 | DOUILLE AIGUILLE JOINTIVE 20X26X12 19X1 | NEEDLE BEARING 20X26X12 19X1 | CASQUILLO AGUJAS 20X26X12 19X1 |
| 39 | 8142 | 8142 | ENTRETOISE AMORTISSEUR SE SEF EVO2 | SHOCK ABSORBER SPACER SE SEF EVO2 | CASQUILLO AMORTIGUADOR SE SEF EVO2 |
| 40 | 8143 | 8143 | JOINT SPI | OIL SEAL | RETEN |
| 41 | 8141 | 8141 | RONDILLE ENTRETOISE INF AMORTISSEUR SE SEF | LOW SHOCK ABSORBER SPACER WASHER SE SEF | CASQUILLO ARRANDELA AMORTIGUADOR SE SEF |
| 42 | 8138 | 8138 | BIELLETTE H SE SEF EVO2 | FORK LINK SE SEF EVO2 | BIELETA H SE SEF EVO2 |
| 43 | 8140 | 8140 | BIELLETTE DELTA SE SEF EVO2 | LINK DELTA SE SEF EVO2 | TRAPECIO END SE SEF EVO2 |
| 44 | 0297 | 0297 | PATIN DE CHAÎNE END 450 | CHAIN GUID PLATE END 450 | PATIN CADENA END 450 |
| 45 | 7722 | 7722 | ENTRETOISE ROTULE SUP AMORTISSEUR | BEARING BODY COLLAR | DISTANCIAL ROTULA |
| 46 | 7723 | 7723 | O-RING ROTULE SUP AMORTISSEUR | BEARING BODY O-RING | O-RING ROTULA |
| 47 | 7724 | 7724 | RONDILLE ROTULE SUP AMORTISSEUR | BEARING BODY DUST SEAL | ARANDELA ROTULA |
| 48 | 7725 | 7725 | RONDILLE ROTULE SUP AMORTISSEUR | BEARING BODY STOP RING | CLIP ROTULA |
| 49 | 7726 | 7726 | ROTULE SUP AMORTISSEUR | BEARING BODY | ROTULA |
| 50 | 7727 | 7727 | GROUPE RÉGULATION COMPR | COMPRESSION ADJUSTER ASSY | GROUPE REGULACION COMPR |
| 51 | 7728 | 7728 | CORPS D'AMORTISSEUR | SHOCK BODY | CUERPO DEL AMORTIGUADOR |
| 52 | 7729 | 7729 | MENBRANE GAZ AMORTISSEUR | BLADDER | MEMBRANA |
| 53 | 7730 | 7730 | COUVERCLE BOMBONE GAZ COMPL | GAS CAP COMP | TAPA |
| 54 | 7731 | 7731 | BOUCHON DE VALVE | VALVE CAP STEEL | ENCHUFE |
| 55 | 7732 | 7732 | CONTRE ÉCROU SUP RESSORT | SPRING RETAINER TOP | TUERCA MUELLE SUP |
| 56 | 7733 | 7733 | CONTRE ÉCROU INF RESSORT | SPRING RETAINER BOTTOM | TUERCA MUELLE INF |
| 57 | 7734 | 7734 | ECROU | NUT | TUERCA |
| 58 | 7735 | 7735 | BAGUE ACIER DE PISTON | PISTON RING | ANILLO PISTON ACERO |
| 59 | 7736 | 7736 | O-RING DU PISTON | O-RING PISTON | O-RING PISTON |
| 60 | 7737 | 7737 | JOINT TÊTE DE TIGE CPL | SEAL HEAD COMP | RETEN |
| 61 | 7738 | 7738 | JOINT SPI | OIL SEAL | RETEN |
| 62 | 7739 | 7739 | TAMPON DE FIN DE COURSE | BUMP RUBBER | GOMA FIN DE CORSA |
| 63 | 7740 | 7740 | TIGE ET PIED AMOR CPL | PISTON ROD COMP | BRIDA HORQUILLA DEL AMORTIGUADOR CPL |
| 64 | 7741 | 7741 | RESSORT D'AMORTISSEUR 42 N | SHOCK SPRING 42 N | MUELLE AMORTIGUADOR 42 N |
| 64 | 7742 | 7742 | RESSORT D'AMORTISSEUR 44 N | SHOCK SPRING 44 N | MUELLE AMORTIGUADOR 44 N |
| 64 | 7743 | 7743 | RESSORT D'AMORTISSEUR 46 N | SHOCK SPRING 46 N | MUELLE AMORTIGUADOR 46 N |
| 64 | 7744 | 7744 | RESSORT AMORTISSEUR STD 48 N | STD SHOCK SPRING 48 N | MUELLE AMORTIGUADOR STD 48 N |
| 64 | 7745 | 7745 | RESSORT D'AMORTISSEUR 50 N | SHOCK SPRING 50 N | MUELLE AMORTIGUADOR 50 N |
| 64 | 7746 | 7746 | RESSORT D'AMORTISSEUR 52 N | SHOCK SPRING 52 N | MUELLE AMORTIGUADOR 52 N |

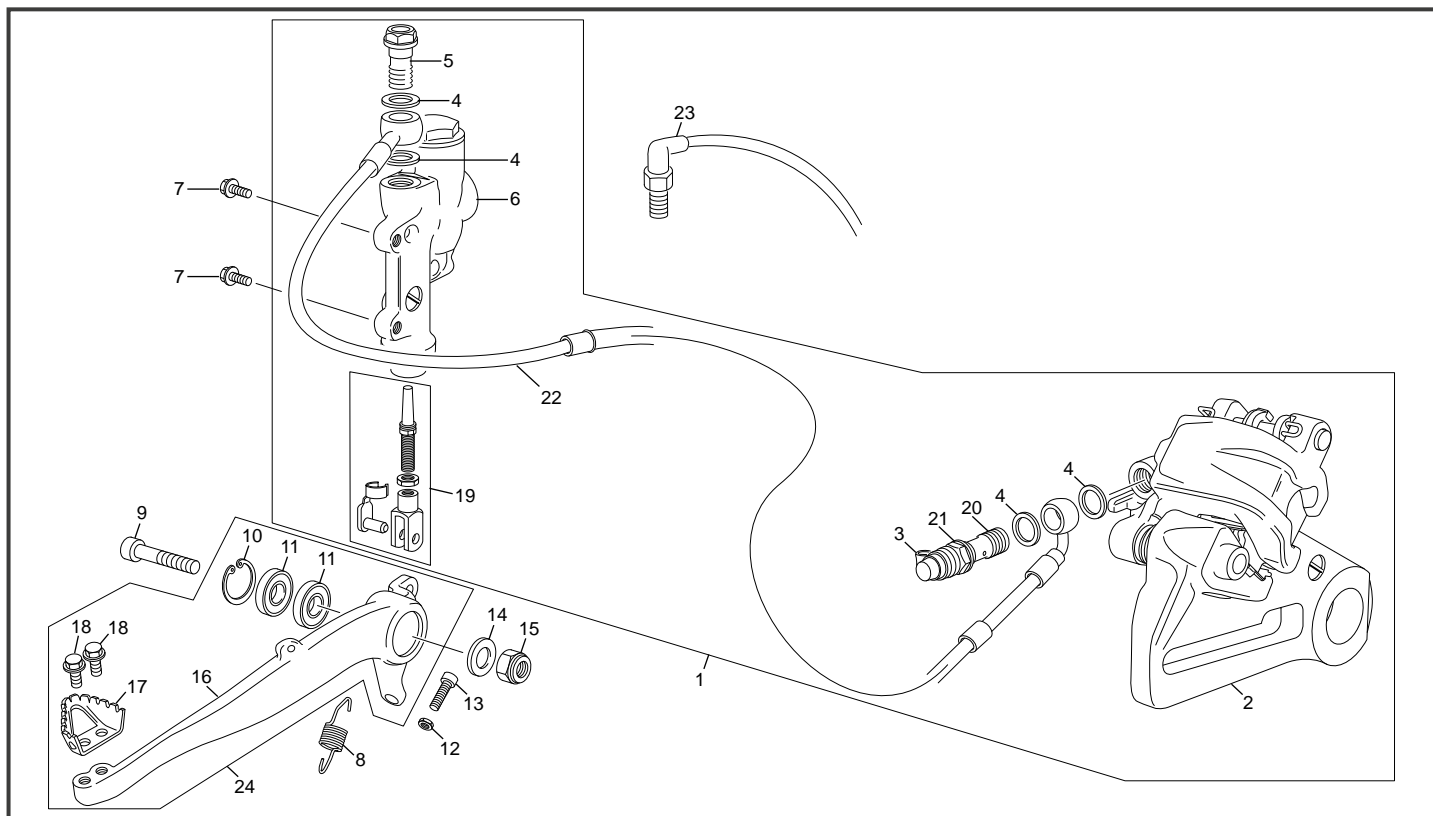
Amortisseur - Bras oscillant
Rear Shock - Swingarm / Amortiguador - Basculante



| POS. | 250 SEF-F | 300 SEF-F | FRANÇAIS | ENGLISH | ESPAÑOL |
|------|-----------|-----------|--|---|---|
| 64 | 7747 | 7747 | RESSORT D'AMORTISSEUR 54 N | SHOCK SPRING 54 N | MUELLE AMORTIGUADOR 54 N |
| 65 | 7748 | 7748 | KIT REPARATION AMORTISSEUR | SERVICE KIT SHOCK | SERVICE KIT AMORTIGUADOR |
| 66 | 7515 | 7515 | ECROU U ACIER TYPE FIN | NUT SPECIAL KYB | TUERCA SPECIAL KYB |
| 67 | 7514 | 7514 | AXE AMORTISSEUR INF SEF KYB | AXEL SHOK ABSORBEUR INF SEF KYB | EJE AMORTIGUADOR INF SEF KYB |
| 68 | 9986 | 9986 | AMORTISSEUR 250/300 SE SEF KYB 22" | SHOCK ABSORBER 250/300 2ST SE SEF KYB 22" | AMORTIGUADOR 250/300 SE SEF KYB 22" |
| 69 | 0478 | 0478 | AXE AMORTISEUR SUP M10 X51 END 450 | AXEL REAR SHOCK SUP M10 X 51 END 450 | EJE SUP AMORTIGUADOR M10 X 51 END 450 |
| 70 | 8451 | 8451 | KIT REFECTION BIELLETTA DELTA ET H 14MM 2020 | REBUILT KIT LINKAGE BEARING 14MM 2020 | KIT DE RECONSTRUCCIÓN BIELLETTA DELTA Y H 14MM 2020 |

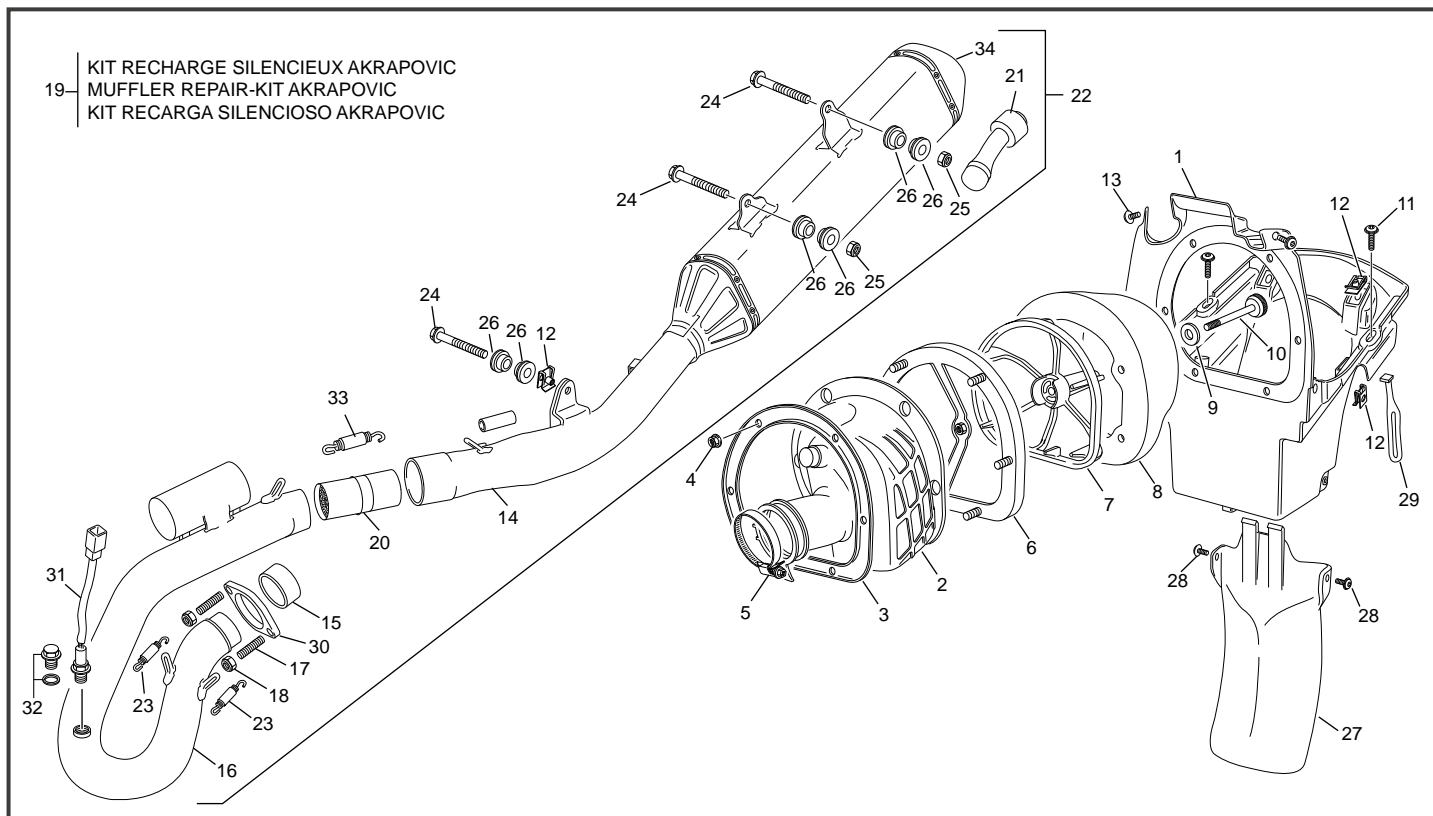
*Sherco se réserve les droits de modification des références, merci de contrôler sur le portail Sherconetwork avant toute commande. - *Sherco reserves the right to make change on the references, please check on your Sherconetwork portal before ordering.
*Sherco se reserva el derecho para hacer modificaciones sobre las referencias. Por favor, verifica en el Sherconetwork antes de hacer un pedido.

Frein arrière Rear brake / Freno trasero



| POS. | 250 SEF-F | 300 SEF-F | FRANÇAIS | ENGLISH | ESPAÑOL |
|------|-----------|-----------|-----------------------------------|------------------------------------|---|
| 1 | 8310 | 8310 | GRUPE FREIN AR. CPL SE SEF EU 4 | REAR BRAKE SYSTEM ASSY SE SEF EU 4 | CTO FRENO TRAS SE SEF EU 4 |
| 2 | 3559 | 3559 | ETRIER FREIN AR BREMBO END | REAR CALIPER BREMBO END | PINZA FRENO TRASERA BREMBO END |
| 3 | 3618 | 3618 | PROTECTION VIS DE PURGE END 12 | DUST COVER END 12 | PROTECCIÓN TORNILLO DE PURGA END 12 |
| 4 | 3620 | 3620 | RONDELLE BANJO END BREMBO | COPPER WASHER END BREMBO | ARANDELLA BANJO END BREMBO |
| 5 | 3619 | 3619 | VIS RACCORD BANJO END 2.5/3.0 12 | BANJO BOLT END 12 | TORNILLO RACORD END 12 |
| 6 | 3560 | 3560 | POMPE FREIN AR END 2.5/5.1 12 | REAR MASTER CYLINDER 2.5/5.1 12 | BOMBA FRENO TRASERO 2.5/5.1 12 |
| 7 | 0943 | 0943 | VIS TH EP 6 X 12 | SCREW TH EP M6 X 12 | TORNILLO TH EP M6 X 12 |
| 8 | 0336 | 0336 | RESSORT PEDALE FREIN END | REAR BRAKE LEVER SPRING END | MUELLE PALANCA FRENO END |
| 9 | 2926 | 2926 | VIS SPECIALE CHC M10 X 48 | SCREW CHC M10 X 48 | TORNILLO CHC M10 X 48 |
| 10 | 2925 | 2925 | CIRCLIP ALESAGE 26 X 1.2 | CIRCLIP CYLINDER 26 X 1.2 | CIRCLIP 26 X 1.2 |
| 11 | 2924 | 2924 | ROULEMENT 6000 2RS 26X10X8 | BEARING 6000 2RS 26X10X8 | RODAMIENTO 6000 2RS 26 X 10 X 8 |
| 12 | 3556 | 3556 | ECROU M6 BAS ZI | SCREW M6 | TUERCA M6 |
| 13 | C410 | C410 | VIS CHC M6 X 25 | SCREW CHC M6 X 25 | TORNILLO CHC M6 X 25 |
| 14 | C424 | C424 | RONDELLE M10 | WASHER M10 | ARANDELA M10 |
| 15 | 0703 | 0703 | ECROU NYLSTOP M10 EPAULE DIN 6926 | NUT NYLSTOP M10 DIN 6926 | TUERCA NYLSTOP M10 CON VALONA DIN 6926 |
| 16 | 3496 | 3496 | PEDALE DE FREIN AR END 2012 | REAR BRAKE LEVER END 2012 | PALANCA FRENO TRAS END 2012 |
| 17 | 2153 | 2153 | EMBOUT PEDAL FREIN END EVO | POINT BREAK PEDAL END EVO | PUNTERA PEDAL FRENO END EVO |
| 18 | 0655 | 0655 | VIS TH EP 5 X 10 | SREW TH EP 5 X 10 | TORNILLO TH EP 5 X 10 |
| 19 | 3520 | 3520 | TIGE DE PEDALE DE FREIN END 12 | BRAKE PEDAL ROD END 12 | VARILLA PEDAL DE FRENO END 12 |
| 20 | 3640 | 3640 | RACCORD BANJO END 12 | BANJO BOLT | TORNILLO BANJO BREMBO |
| 21 | 3639 | 3639 | PURGEUR BREMBO END 12 | BLEEDER SCREW BREMBO | TORNILLO DE PURGA BREMBO |
| 22 | 3562 | 3562 | DURITE FREIN AR END 2.5/5.1 12 | REAR BRAKE HOSE END 2.5/5.1 12 | LATIGUILLO FRENO TRASERO END 2.5/5.1 12 |
| 23 | 0625 | 0625 | INTERUPTEUR FREIN | BRAKE ELECTRIC CONTACT | INTERUPTOR FRENO |
| 24 | 8740 | 8740 | PEDALE FREIN ALU COMPLETE | COMPLETE REAR BRAKE PEDAL | PEDAL DE FRENO TRASERO COMPLETA |

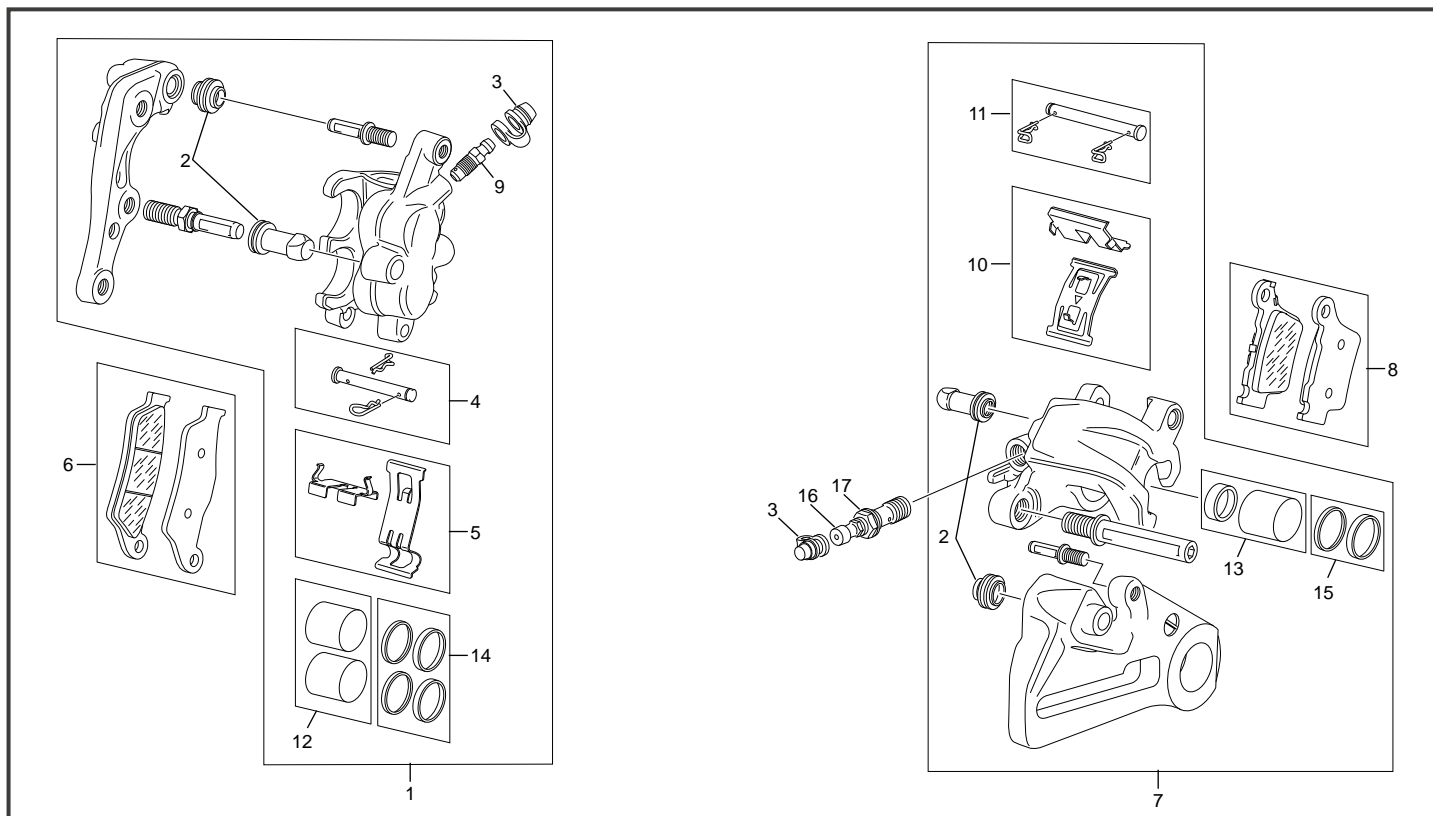
Boîte filtre - échappement Air filter box - exhaust system / Caja filtro - escape



| POS. | 250 SEF-F | 300 SEF-F | FRANÇAIS | ENGLISH | ESPAÑOL |
|------|-----------|-----------|--|--|---|
| 1 | 3055 | 3055 | BOITIER FILTRE AIR END | AIR BOX END | CAJA FILTRO END |
| 2 | 3049 | 3049 | MANCHON FILTRE/ CARBU END SEF | RUBER INJECTION HOSE END 250/300 2012 | GOMA INJECTION/CAJA FILTRO END 250/300 2012 |
| 3 | 3045 | 3045 | PLAQUE MAINTIEN SUPPORT FILTRE | FILTER FIXATION RETAINER PLATE END 2011 | PLACA FIJACION SOPORTE ESPUMA END 2011 |
| 4 | 3552 | 3552 | ECROU EMBASE M5 | COLLAR HEX NUT BASIS NOTCHED M5 | TUERCA CON VALONA EMBASE ENTALLADURA M5 |
| 5 | 0595 | 0595 | COLLIER KC060 MANCHON CORP INJECTION END 450 40-60 | COLLAR KC060 HOSE BODY INJECTION END 450 40-60 | BRIDA TOBERA KC060 CUERPO INYECCION END 450 40-60 |
| 6 | 3046 | 3046 | BRIDE SUPPORT DE FILTRE AIR END 2012 | BRIDE FILTER FIXATION RETAINER PLATE END 2012 | BRIDA PLACA FIJACION SOPORTE ESPUMA END 2012 |
| 7 | 3044 | 3044 | SUPPORT MOUSSE FILTRE END 2012 | FILTER FOAM SUPPORT END 2012 | SUPORTE ESPUMA FILTRO END 2012 |
| 8 | 3043 | 3043 | MOUSSE FILTRE END 250/300 2012 | FILTER FOAM END 250/300 2012 | ESPUMA FILTRO END 250/300 2012 |
| 9 | C429 | C429 | RONDELLE M6 X 25 | WASHER M6 X 25 | ARANDELA M6 X 25 |
| 10 | 3048 | 3048 | VIS DE FILTRE AIR END EVO | AIR FILTER SCREW END EVO | TORNILLO ESPUMA FILTRE END EVO |
| 11 | 3679 | 3679 | VIS BHC 6 X 20 EMBASE ZINGUE NOIR | SCREW BHC 6 X 20 BLACK | TORNILLO 6 X20 BHC NEGRO |
| 12 | M308 | M308 | ECROU CLIP M6 0500500400 | NUT CLIP M6 | TUERCA CLIP M6 |
| 13 | 0546 | 0546 | VIS TH EP 6 X 20 | SREW TH EP 6 X 20 | TORNILLO TH EP 6 X 20 |
| 14 | 8926 | 8926 | SILENCIEUX RACING AKRAPOVIC "21 | RACING SILENCER AKRAPOVIC "21 | SILENCOSO RACING AKARPOVIC "21 |
| 15 | 4285 | 4285 | TUBE INTER CYLINDRE POT END AKRA 250/300 | CYLINDER HEAD SLEEVE END AKRAPOVIC 250/300 | TUBOS INTER CILINDRO END AKRAPOVIC 250/300 |
| 16 | 8925 | 8925 | TUBE PRIMAIRE TITANE AKRAPOVIC | TITANIUM HEADER TUBE SET AKRAPOVIC | TUBO PRIMARIO AKRAPOVIC TITANIO |
| 17 | 2065 | 2065 | GOUJON DE CULASSE 6 X 30 | STUD CYLINDER HEAD 6X30 | ESPARRAGO CULATA 6 X 30 |
| 18 | 2198 | 2198 | ECROU FREIN M6 ACIER POUR GOUJON CULASSE | BREAK NUT M6 | TUERCA M6 |
| 19 | 10222 | 10222 | KIT RECHARGE SILENCIEUX AKRAPOVIC | MUFFLER REPACK KIT AKRAPOVIC | KIT RECARGA SILENCIOSA AKRAPOVIC |
| 20 | 8768 | 8768 | CATALYSEUR 250/300 4T | CATALYST 250/300 4T | CATALIZADOR 450/500 4T |
| 21 | 8927 | 8927 | DB KILLER POT END AKRA | NOISE RECUCTION INSERT END AKRAPOVIC | DB KILLER END AKRAPOVIC |
| 22 | 8150 | 8150 | ECHAPPEMENT COMPLET 250/300 SEF AKRA TITANE | EXAUST SYSTEM SET 250/300 SEF AKRA TITANIUM | TUBO ESCAPE RACING 250/300 SEF AKRA TITANIUM |
| 23 | 4284 | 4284 | RESSORT POT END AKRA | SPRING EXHAUST END AKRAPOVIC | MUELLE ESCAPE END AKRAPOVIC |
| 24 | 0547 | 0547 | VIS TH EP 6 X 30 | SCREW TH EP 6 X 30 | TORNILLO TH EP 6 X 30 |
| 25 | M306 | M306 | ECROU NYLSTOP M6 0368.6 | NUT NYLSTOP M6 | TUERCA NYLSTOP M6 |
| 26 | 0274 | 0274 | SILENT BLOC SILENCIEUX | SILENBLOC SILENCEUR | SILENBLOC SILENCIOSO |
| 27 | 3056 | 3056 | BAVETTE DE FILTRE END | BAVETTE FILTRE END | BAVETTE FILTRO END |
| 28 | 1687 | 1687 | VIS BHC EPAULE M5 X 10 | SCREW BHC M5 X 10 | TORNILLO ULS CON VALONA M5 X 10 |
| 29 | 0306 | 0306 | CAUCHOUX DE MAINTIEN DE BEQUILLE END 450 | STAND SIDE RUBER END 450 | GOMA CABALETE END 450 |
| 30 | 6637 | 6637 | BRIDE D' ECHAPPEMENT AKRA | EXHAUST FLANGE AKRA | BRIDA ESCAPE AKRA |
| 31 | 6782 | 6782 | SONDE LAMBDA | OXYGENE SENROR 4 WIRES | OXYGENE SENROR 4 WIRES |
| 32 | 6790 | 6790 | BOUCHON SONDE LAMBDA | LAMBDA PLUG | JUNTA LAMBDA TAPON |
| 33 | 10221 | 10221 | RESSORT POT LONG AKRA SEF 250.300 | LONG SPRING EXHAUST AKRAPOVIC SEF 250.300 | LARGA MUELLE ESCAPE END AKRAPOVIC SEF 250.300 |
| 34 | 10219 | 10219 | EMBOUT SILENCIEUX RACING AKRAPOVIC SEF 250.300 | END CAP SILENCER AKRAPOVIC SEF 250.300 | TAPA SI LENCOSO RACING AKARPOVIC SEF 250.300 |

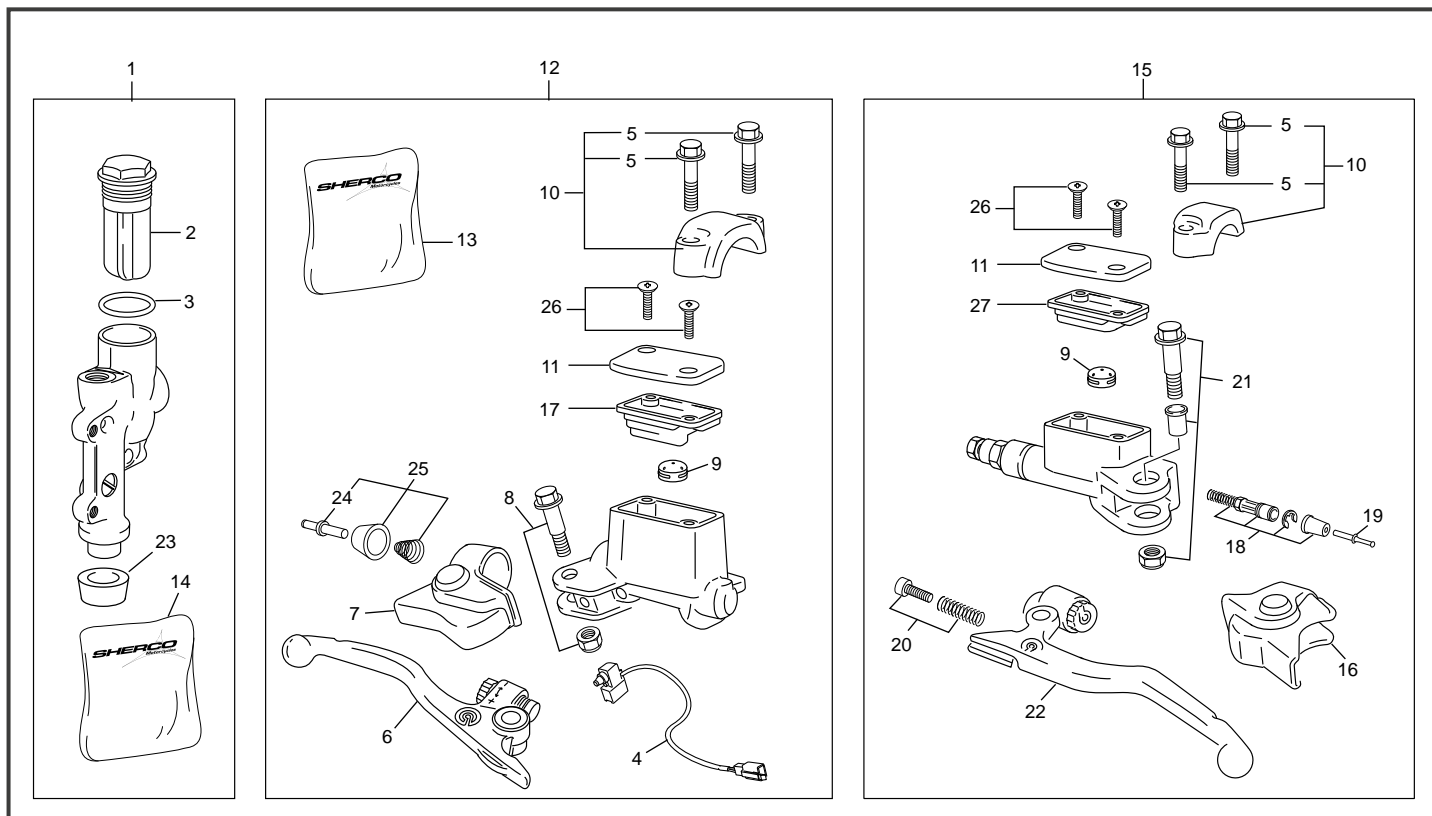
*Sherco se réserve les droits de modification des références, merci de contrôler sur le portail Sherconetwork avant toute commande. - *Sherco reserves the right to make change on the references, please check on your Sherconetwork portal before ordering.
*Sherco se reserva el derecho para hacer modificaciones sobre las referencias. Por favor, verifica en el Sherconetwork antes de hacer un pedido.

Etrier frein arrière-avant Front rear caliper / Pinzas freno trasero - delantero



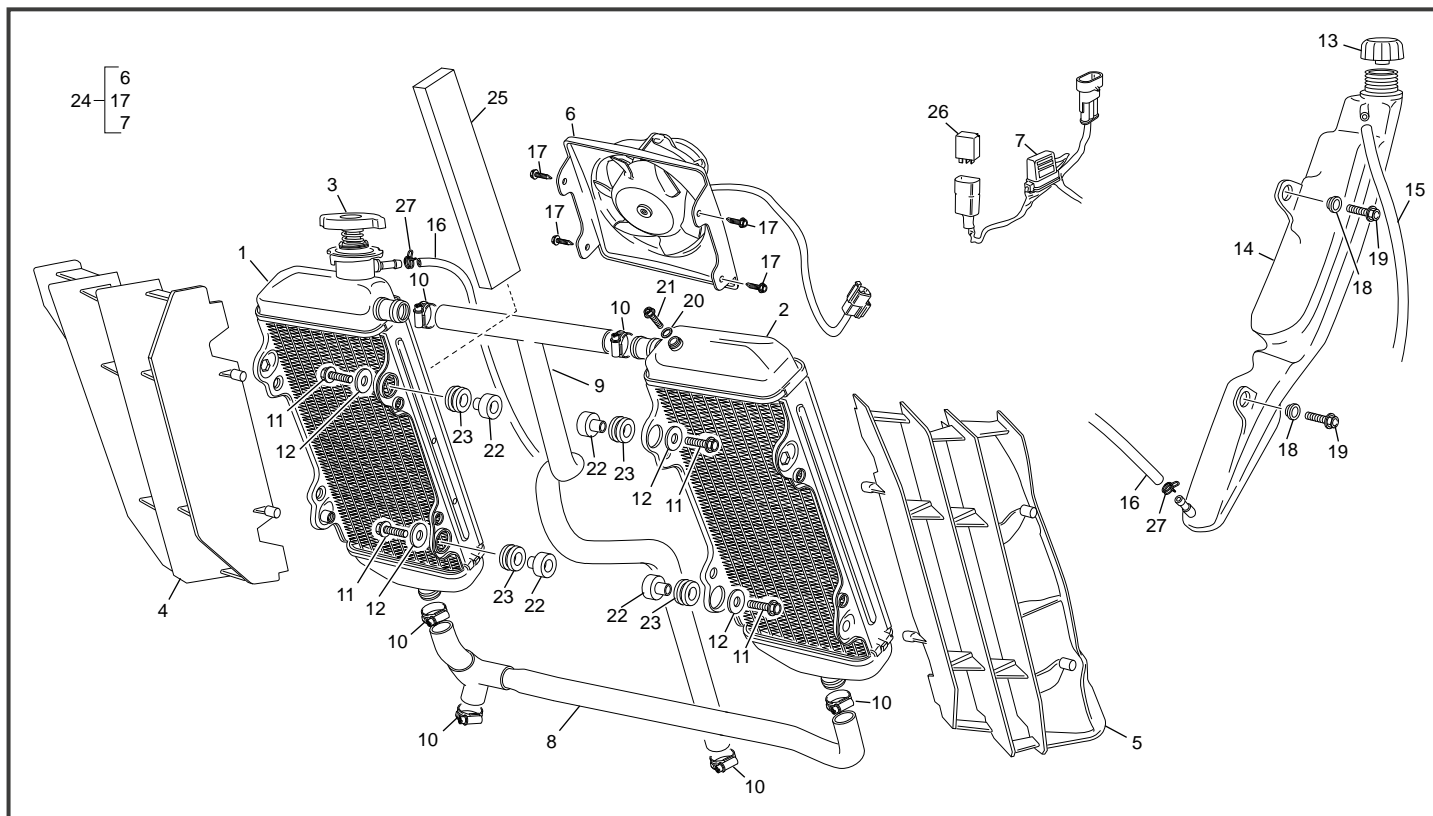
| POS. | 250 SEF-F | 300 SEF-F | FRANÇAIS | ENGLISH | ESPAÑOL |
|------|-----------|-----------|---|------------------------------------|--|
| 1 | 3561 | 3561 | ETRIER FREIN AVANT BREMBO END | BREMBO FRONT CALIPER ASSY END | PINZA FRENO DEL BREMBO END |
| 2 | 3706 | 3706 | CACHE POUSSIERE | AXEL DUST COVER/ BOOTS | PROTECCION |
| 3 | 3618 | 3618 | PROTECTION VIS DE PURGE END 12 | DUST COVER END 12 | PROTECCIÓN TORNILLO DE PURGA END 12 |
| 4 | 3708 | 3708 | AXE DE FREIN AVANT BREMBO | PIN + RETAINER BREMBO | PERNO BREMBO |
| 5 | 3709 | 3709 | PLAQUE ANTI VIBRATION DE FREIN AVANT BREMBO | SPRING + STEEL CLIP BREMBO | JUEGO DE PLACA BREMBO |
| 6 | 10069 | 10069 | PLAQUETTES DE FREIN AVANT BREMBO | BRAKE PADS FRONT BREMBO | JUEGO DE PASTILLAS FRENO DEL BREMBO |
| 7 | 3559 | 3559 | ETRIER FREIN AR BREMBO END | REAR CALIPER BREMBO END | PINZA FRENO TRASERA BREMBO END |
| 8 | 3711 | 3711 | PLAQUETTES DE FREIN ARRIERE BREMBO | BRAKE PADS REAR BREMBO | JUEGO DE PASTILLAS FRENO TRASSERO BREMBO |
| 9 | 3707 | 3707 | VIS PURGE ETRIER DE FREIN AVANT BREMBO | BLEEDER SCREW BREMBO | TURCA SANGRADOR BREMBO |
| 10 | 3712 | 3712 | PLAQUE ANTI VIBRATION DE FREIN ARRIERE BREMBO | RETAINING SPRING SET BREMBO | PLACA FIXACION FRENO TRASSERO BREMBO |
| 11 | 3713 | 3713 | AXE DE PLAQUETTES DE FREIN ARRIERE BREMBO | PIN + RETAINER REAR CALIPER BREMBO | PERNO FIXACION FRENO TRASSERO BREMBO |
| 12 | 4056 | 4056 | PISTON ETRIER AV BREMBO END 12 | PISTON FRONT CALIPER BREMBO END 12 | PISTON PINZA DEL BREMBO END 12 |
| 13 | 4057 | 4057 | PISTON ETRIER AR BREMBO END | PISTON REAR CALIPER BREMBO END | PISTON PINZA TRAS BREMBO END |
| 14 | 4405 | 4405 | JOINT PISTON AV BREMBO | DEAL BREMBO FRONT | RETEN |
| 15 | 4406 | 4406 | JOINT PISTON AR BREMBO | DEAL BREMBO REAR | RETEN |
| 16 | 3639 | 3639 | PURGEUR BREMBO END 12 | BLEEDER SCREW BREMBO | TORNILLO DE PURGA BREMBO |
| 17 | 3640 | 3640 | RACCORD BANJO END 12 | BANJO BOLT | TORNILLO BANJO BREMBO |

Maitre cylindre frein avant - arrière Master cylinder Front rear caliper / Bomba freno trasero - delantero



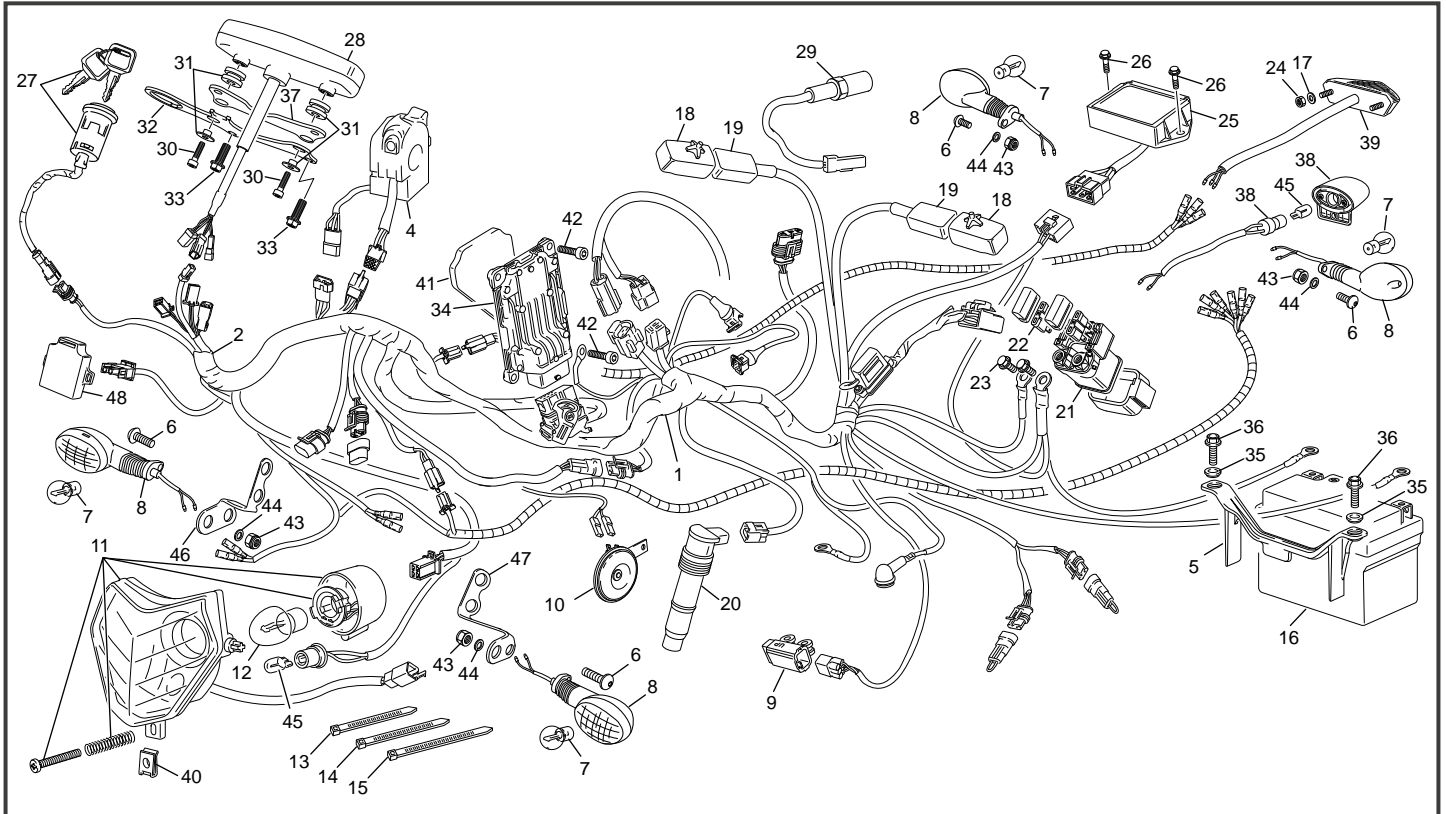
| POS. | 250 SEF-F | 300 SEF-F | FRANÇAIS | ENGLISH | ESPAÑOL |
|------|-----------|-----------|---|---|---|
| 1 | 3560 | 3560 | POMPE FREIN AR END 2.5/5.1 12 | REAR MASTER CYLINDER 2.5/5.1 12 | BOMBA FRENO TRASERO 2.5/5.1 12 |
| 2 | 3696 | 3696 | COUVERCLE DE MAITRE CYLINDRE AR COMPLET BREMBO | REAR BRAKE CYLINDER SET COVER BREMBO | TAPETA BOMBA FRENO TRASERO COMPLETO BREMBO |
| 3 | 3695 | 3695 | JOINT DE MAITRE CYLINDRE AR BREMBO | FOOT BRAKE CYLINDER GASKET | JUNTA BOMBA FRENO TRASERO |
| 4 | 5705 | 5705 | CONTACT FREIN AVANT BREMBO EVO | MICRO SWITCH BREMBO EVO | INTERRUPTOR FRENO DELANTERO BREMBO EVO |
| 5 | 5712 | 5712 | VIS BRIDE DE FIXATION MAITRE CYLINDRE BREMBO | CLAMP SCREW BREMBO | TORNILLO TAPA FIXACION BOMBA EMBRAGE BREMBO |
| 6 | 5707 | 5707 | LEVIER DE FREIN AVANT AVEC REGLAGE BREMBO | BRAKE LEVER WITH SETTING BREMBO | MANETA FRENO DELANTERO AJUSTABLE BREMBO |
| 7 | 5708 | 5708 | PROTECTION LEVIER DE FREIN AVANT BREMBO | PROTECTION CAP HAND BRAKE BREMBO | GUARDAPOLVO MANETA FRENO DELANTERO BREMBO |
| 8 | 5709 | 5709 | BOULON LEVIER DE FREIN AVANT BREMBO | LEVER CSREW ASSEMBLY BREMBO | TORNILLO Y TUERCA MANETA FRENO DELANTERO BREMBO |
| 9 | 4061 | 4061 | VALVE ANTI BULLE EMBRAYAGE BREMBO | VALVE ANTI BUBLE CLUTCH BREMBO | VÁLVULA ANTI BURBUJA EMBRAGE BREMBO |
| 10 | 5711 | 5711 | BRIDE DE FIXATION MAITRE CYLINDRE BREMBO | CLAMP ASSEMBLY NATURE BREMBO | TAPA FIXACION BOMBA BREMBO |
| 11 | 5721 | 5721 | COUVERCLE POMPE BREMBO | CAP FRONT BREMBO | TAPETA BOMBA |
| 12 | 5544 | 5544 | POMPE FREIN AV CPL. END R 250/510 2015 | FRONT BRAKE MASTER CYLINDER END 2015 | BOMBA FRENO DEL BREMBO END 2015 |
| 13 | 5713 | 5713 | KIT REPARATION MAITRE CYL. | KIT REPAIR FRONT MASTER CYLINDER | KIT REPARACION BOMBA DEL |
| 14 | 4059 | 4059 | KIT REPARATION MAITRE CYL. FREIN AR BREMBO END 12 | PISTON SET REAR MASTER CYLINDER BREMBO END 12 | KIT REPARACION BOMBA TRAS BREMBO END 12 |
| 15 | 5543 | 5543 | POMPE EMB CPL BREMBO | CLUTCH MASTER CYLINDER ASSY | GRUPO BOMBA EMBRAGUE |
| 16 | 4060 | 4060 | PROTECTION | PROTECTION | GUARDAPOLVO |
| 17 | 8387 | 8387 | MENBRANE BREMBO MAITRE CYLINDRE FREIN AVANT | RUBBER COVER BREMBO FRONT BRAKE MASTER CYLINDER | GOMA DEL TAPA BREMBO FRENO DELANTERO |
| 18 | 4063 | 4063 | KIT REPARATION PISTON EMBRAYAGE BREMBO END 12 | KIT REPAIR PISTON CLUTCH BREMBO END 12 | KIT REPARACION BOMBA EMBRAGE BREMBO END 12 |
| 19 | 5716 | 5716 | TIGE DE POUSSE EMBRAYAGE BREMBO | PUSH ROD CLUTCH BREMBO | VARILLA EMBRAGE BREMBO |
| 20 | 4065 | 4065 | PIVOT DE LEVIER EMBRAYAGE BREMBO END 12 | SPRING GUIDE MC CLUTCH BREMBO END 12 | TORNILLO TUERCA MANETA EMBRAGE BREMBO END 12 |
| 21 | 5718 | 5718 | KIT ECROU DE FIXATION | LEVER SCREW KIT | JUEGO TORNILLO TUERCA MANETA EMBRAGE |
| 22 | 5719 | 5719 | LEVIER EMB BREMBO | CLUTCH LEVER | MANETA EMB |
| 23 | 4404 | 4404 | AXE ET CACHE POUSSIÈRE | AXEL DUST COVER/ BOOTS | EJE FONDA |
| 24 | 5717 | 5717 | PIVOT DE LEVIER EMBRAYAGE BREMBO | SPRING GUIDE MC CLUTCH BREMBO | TORNILLO TUERCA MANETA EMBRAGE BREMBO |
| 25 | 5929 | 5929 | KIT PIVOT DE LEVIER FREIN BREMBO | SPRING GUIDE BRAKE MC SET BREMBO | JUEGO TORNILLO TUERCA MANETA FRENO BREMBO |
| 26 | 5720 | 5720 | VIS COUVERCLE BREMBO | SCREW CAP BREMBO | TORNILLO TAPETA BOMBA |
| 27 | 5706 | 5706 | MENBRANE BREMBO MAITRE CYLINDRE EMBRAYAGE | RUBBER COVER BREMBO CLUTCH MASTER CYLINDER | GOMA DEL TAPA BREMBO EMBRAGE |

Radiateur Radiator / Radiador



| POS. | 250 SEF-F | 300 SEF-F | FRANÇAIS | ENGLISH | ESPAÑOL |
|------|-----------|-----------|---|---|---|
| 1 | 4463 | 4463 | RADIATEUR DROIT 250/500 EVO1 | RIGHT RADIATOR 250/500 EVO1 | RADIATOR DER END 250/500 EVO1 |
| 2 | 3027 | 3027 | RADIATEUR GAUCHE 250/500 2012 | LEFT RADIATOR 250/500 2012 | RADIATOR IZQ 250/500 2012 |
| 3 | 3265 | 3265 | BOUCHON RADIATEUR 2 OREILLES 1.8 BAR | 2 HEAR RADIATOR TAP 1.8 BAR | TAPON RADIADOR 1.8 BAR 2 EAR |
| 4 | 4621 | 4621 | GRILLE RADIATEUR D END 2013 | RIGHT RADIATOR PROTECTOR END 2013 | GRILLA RADIATOR DER END 2013 |
| 5 | 4622 | 4622 | GRILLE RADIATEUR G END 2013 | LEFT RADIATOR PROTECTOR END 2013 | GRILLA RADIADOR IZQ END 2013 |
| 6 | 3066 | 3066 | VENTILATEUR END 2011 | FAN END 2011 | VENTILADOR END 2011 |
| 7 | 3577 | 3577 | FAISCEAU ADAPTATION VENTILLATEUR END 250/300 2012 | WIRE HARNESS FOR FAN END 250/300 2012 | INSTAL. ELECTRICA VENTILADOR END 250/300 2012 |
| 8 | 6733 | 6733 | DURITE INF 250/300 SEF EVO | RUBBER TUBE INF 250/300 SEF EVO | MANGUITO INF 250/300 SEF EVO |
| 9 | 3100 | 3100 | DURITE SUP 250 END | RUBBER TUBE SUP 250 END | MANGUITO SUP 250 END |
| 10 | 0281 | 0281 | COLLIER K025 FIXATION DURITE END 450 16-25 MM | COLLAR K025 HOSE RADIATOR END 450 | BRIDA K025 TUBO RADIADOR END 450 |
| 11 | 0546 | 0546 | VIS TH EP 6 X 20 | SREW TH EP 6 X 20 | TORNILLO TH EP 6 X 20 |
| 12 | 4939 | 4939 | RONDELLE M6 X 22 INOX | WASHER M6 X 25 INOX | ARANDELA M6 X 25 INOX |
| 13 | 0748 | 0748 | BOUCHON VASE EXPANSION END 450 | EXPANSION TANK STOPPER END 450 | TAPON VASO EXPANSION END 450 |
| 14 | 3079 | 3079 | VASE D' EXPANSION END | EXPANSION TANK END | VASO EXPANSION END |
| 15 | 3903 | 3903 | DURITE EXPANSION L260 250 300 END 2012 | EXPANSION PIPE L260 250 300 END 2012 | TUBO EXPANSION RADIDOR L900 250 300 END 2012 |
| 16 | 3910 | 3910 | DURITE EXPANSION RADIATEUR L900 250 300 END 2012 | EXPANSION PIPE RADIATOR L900 250 300 END 2012 | TUBO EXPANSION RADIDOR L900 250 300 END 2012 |
| 17 | 3285 | 3285 | VIS AUTOFOREUSE | SCREW ZEBRA 7504 | TORNILLO ZEBRA 7504 |
| 18 | 0565 | 0565 | ENTRETOISE INOX CARROSSERIE 450 END | SPACER INOX BOODY 450 END | CASQUILLO INOX CARROCERIA 450 END |
| 19 | 0554 | 0554 | VIS TH EP 5 X 20 | SREW TH EP 5 X 20 | TORNILLO TH EP 5 X 20 |
| 20 | 0601 | 0601 | RONDELLE ALU 6.5 X 11 X 1 END 450 | WASHER ALU 6.5 X 11 X 1 END 450 | ARENDELLA ALU 6.5 X 11 X 1 END 450 |
| 21 | 0592 | 0592 | VIS TH EP 6 X 8 | SCREW TH EP 6 X 8 | TORNILLO TH EP 6 X 8 |
| 22 | 3779 | 3779 | ENTRETOISE RADIATEUR END 4T | SPACER RADIATOR END 4T | CASQUILLO RADIADOR END 4T |
| 23 | H059 | H059 | SILENT BLOC RADIATEUR | RADIATOR SILENTBLOCK | SILENTBLOCK RADIADOR |
| 24 | 3913 | 3913 | KIT VENTILATEUR END 250/300 2012 | KIT FAN END 250/300 2012 | KIT VENTILADOR END 250/300 2012 |
| 25 | 4515 | 4515 | MOUSSE PROTECTION RADIATEUR END | FOAM PROTEC RADIATOR END | ESPUMA RADIATOR M3C END |
| 26 | 5095 | 5095 | RELAIS ECU SYN END | SYN ECU RELAY END | RELE ECU SYN END |
| 27 | 5569 | 5569 | COLLIER COBRA 9 | COLLAR COBRA 9 | ABRAZADERA COBRA 9 |

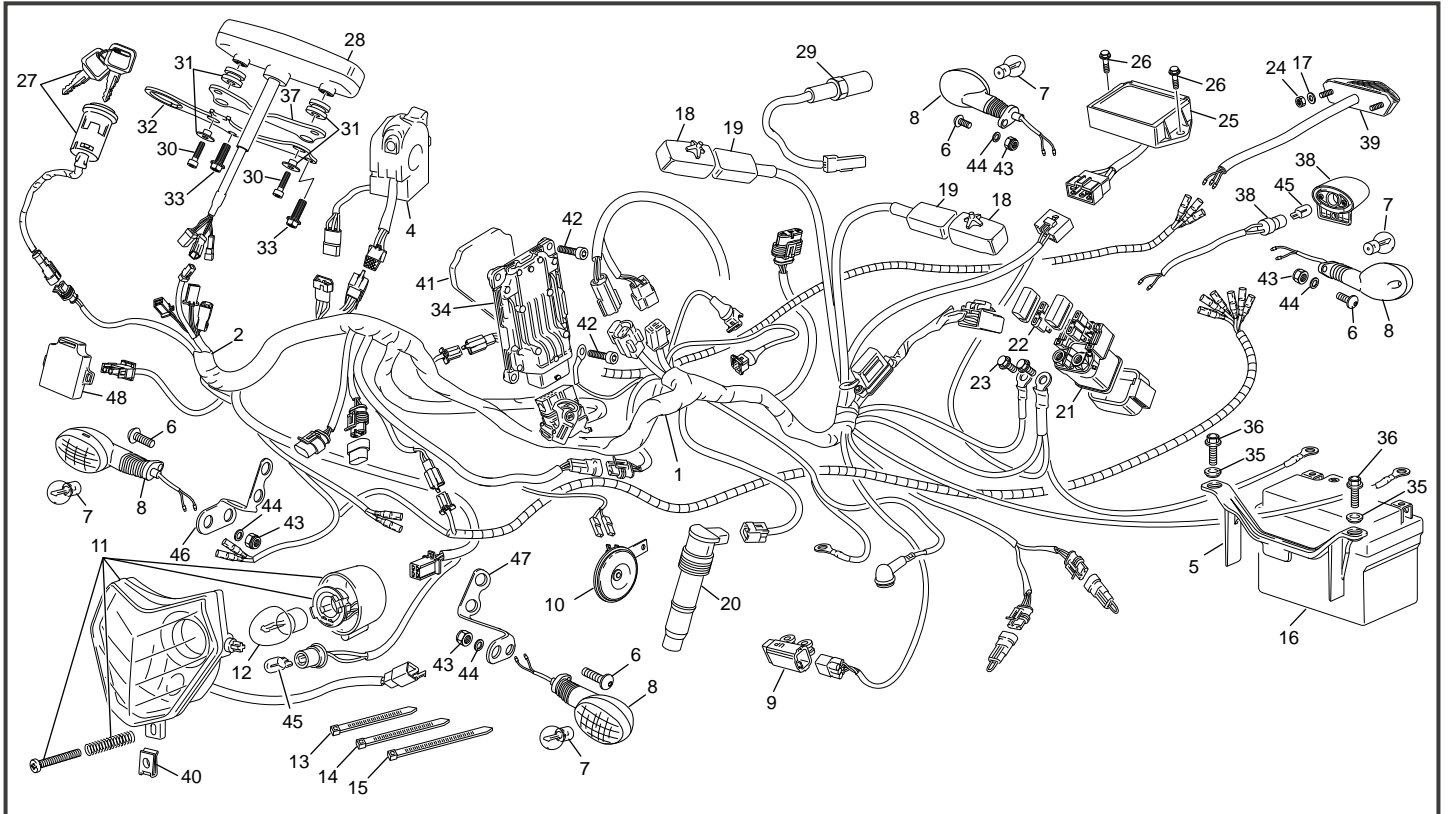
Faisceau électrique Electrical system / Instalación eléctrica



| POS. | 250 SEF-F | 300 SEF-F | FRANÇAIS | ENGLISH | ESPAÑOL |
|------|-----------|-----------|--|--|---|
| 1 | 7317 | 7317 | FAISCEAU ELECT INJECTION SEF TILT | INJECTION ELECTRIC CABLE SYSTEM SEF TILT | INSTALATION ELECTRIC INJECTION SEF TILT |
| 2 | 6845 | 6845 | FAISCEAU ELECT RACING END 250/300 EURO4 | RACING ELECTRIC CABLE SYSTEM END EURO4 | INSTALATION ELECTRIC RACING END EURO4 |
| 2 | 8145 | 8145 | FAISCEAU LUMIERE ET HOMOLOGUATION STANDARD EURO4 | LIGHT AND HOMOL. WIRE HARNESS SYSTEM SE SEF EURO 4 | HAZ DE LUZ Y HOMOLOGACION ESTANDAR EURO 4 |
| 4 | 0413 | 0413 | COMMODO GAUCHE END 450 | SWITCH LEFT END 450 | COMODO ELECTRIC END 450 |
| 5 | 7512 | 7512 | CALE BATERIE LITHIUM | LITHIUM BATTERY HOLDER | SUPPORTO BATERIE ELITHIUM |
| 6 | M283 | M283 | VIS BHC 6 X 16 1093 ZI NI TR | SCREW BHC 6 X 16 ZI NI TR | TORNILLO 6 X 16 ULS ZI NI TR |
| 7 | 10046 | 10046 | AMPOULE CLIGNO HOMOLOG 12V 21W LA PAIRE | BULB IND LIGHT CE 12V 21W PAIR | BOMBILLA INTERMITENTES CE 12V 21W PAR |
| 8 | 9954 | 9954 | CLIGNOTEUR DROIT ET GAUCHE LONG END EVO | TURN LIGHT LEFT RIGHT LONG END EVO | INTERMITENTE IZQUIERDO DERECHO LARGO END EVO |
| 9 | 6909 | 6909 | CAPTEUR D ANGLE SEF | TTL SENSOR | SENSOR DE ANGULO SEF |
| 10 | 9212 | 9212 | KLAXON END COUDE SEF | HORN END CUBIT SEF | CLAXON CODO SE/SEF/50CC |
| 11 | 3053 | 3053 | OPTIQUE PHARE END/SM EVO | FRONT LIGHT OPTICAL END/SM EVO | FARO DEL END/SM EVO |
| 12 | C403 | C403 | AMPOULE PHILIPS PHARE HOMOL 12V 35/35W | BULB FRONT LIGHT PHILIPS HOMOL 12V 35/35W | BOMBILLA FARO PHILIPS 12V 35/35W |
| 13 | M330 | M330 | COLLIER RISLAN 178 X 4.8 | PLASTIC CLAMPS 178 X 4.8 | ABRAZADERA 178 X 4.8 |
| 14 | C441 | C441 | COLLIER RYSLAN 280 X 4.8 | PLASTIC CLAMPS 280 X 4.8 | ABRAZADERA 280 X 4.8 |
| 15 | M331 | M331 | COLLIER RISLAN100 X 2.5 | PLASTIC CLAMPS 100 X 2.5 | ABRAZADERA 100X 2.5 |
| 16 | 7388 | 7388 | BATERIE LITHIUM BSLI-02 | BATTERY LITHIUM BSLI-02 | BATERIE LITHIUM BSLI-02 |
| 17 | M318 | M318 | RONDELLE 4X12 0411 | WASHER 4X12 | ARANDELA 4X12 |
| 18 | 1291 | 1291 | SUPPORT RELAIS END 450 | HOLDER RELAY END 450 | SUPPORTO RELE END 450 |
| 19 | 5095 | 5095 | RELAIS ECU SYN END | SYN ECU RELAY END | RELE ECU SYN END |
| 20 | 0967 | 0967 | BOBINE CRAYON 250 END | IGNITION SPARK PLUG CAP 250 END | BOBINA PIPA BUJIA 250 END |
| 21 | 0367 | 0367 | RELE DEMARREUR END | STARTER RELEY END | STARTER RELEY END |
| 22 | 0661 | 0661 | FUSIBLE 30 A LITLIFUSE | FUSIBLE 30 A LITLIFUSE | FUSIBLE 30 A LITLIFUSE |
| 23 | 0592 | 0592 | VIS TH EP 6 X 8 | SCREW TH EP 6 X 8 | TORNILLO TH EP 6 X 8 |
| 24 | M307 | M307 | ECROU NYLSTOP M4 0368.4 | NUT NYLSTOP M4 | TUERCA NYLSTOP M4 |
| 25 | 7215 | 7215 | REGULATEUR END EVO | REGULATOR END EVO | REGULADOR END EVO |
| 26 | 0546 | 0546 | VIS TH EP 6 X 20 | SREW TH EP 6 X 20 | TORNILLO TH EP 6 X 20 |
| 27 | 7254 | 7254 | BLOC CLE DEMARRAGE 4T EURO4 | BLOC KEY STARTER EURO 4 | BLOC LLAVE ARRANQUE EURO 4 |
| 28 | 4387 | 4387 | COMPTEUR DE VITESSE END TRAIL TECH 2013 | SPEEDOMETER END TRAIL TECH 2013 | VELOCIMETRO END TRAIL TECH 2013 |
| 29 | 4508 | 4508 | CABLE CAPTEUR COMPTEUR END TRAIL TECH | SPEEDOMETER SENSOR HARNESS END TRAIL TECH | INSTALACION SENSOR VELOCIMETRO END TRAIL TECH |
| 30 | M267 | M267 | VIS CHC 4 X 16 0084 ZN NI TR | SCREW VIS CHC 4 X 16 ZN NI TR | TORNILLO 4 X 16 ALLEN ZN NI TR |
| 31 | 4513 | 4513 | KIT SILENT BLOC ENTRETOISE COMPTEUR END TRAIL TECH | DASHBORD ISOLATOR KIT END TRAIL TECH | KIT SILENBLOC VELOCIMETRO END TRAIL TECH |
| 32 | 4389 | 4389 | SUPPORT COMPTEUR SE SEF 250 TRAIL TECH EURO 4 | SPEEDO METER HOLDER SE SEF 250 TRAIL TECH EURO 4 | SUPPORTE VELOCIMETRO SE SEF 250 TRAIL TECH EURO 4 |
| 33 | 0656 | 0656 | VIS TH EP 6 X 16 | SREW TH EP 6 X 16 | TORNILLO TH EP 6 X 16 |
| 34 | 3459 | 3459 | ECU SYN END M3C | ECU SYN END M3C | ECU SYN END M3C |
| 35 | 3096 | 3096 | ENTRETOISE CARROSSERIE 2.3 END 2012 | SPACER 2.3 INOX BOODY END 2011 | CASQUILLO 2.3 INOX CARROCERIA END 2011 |

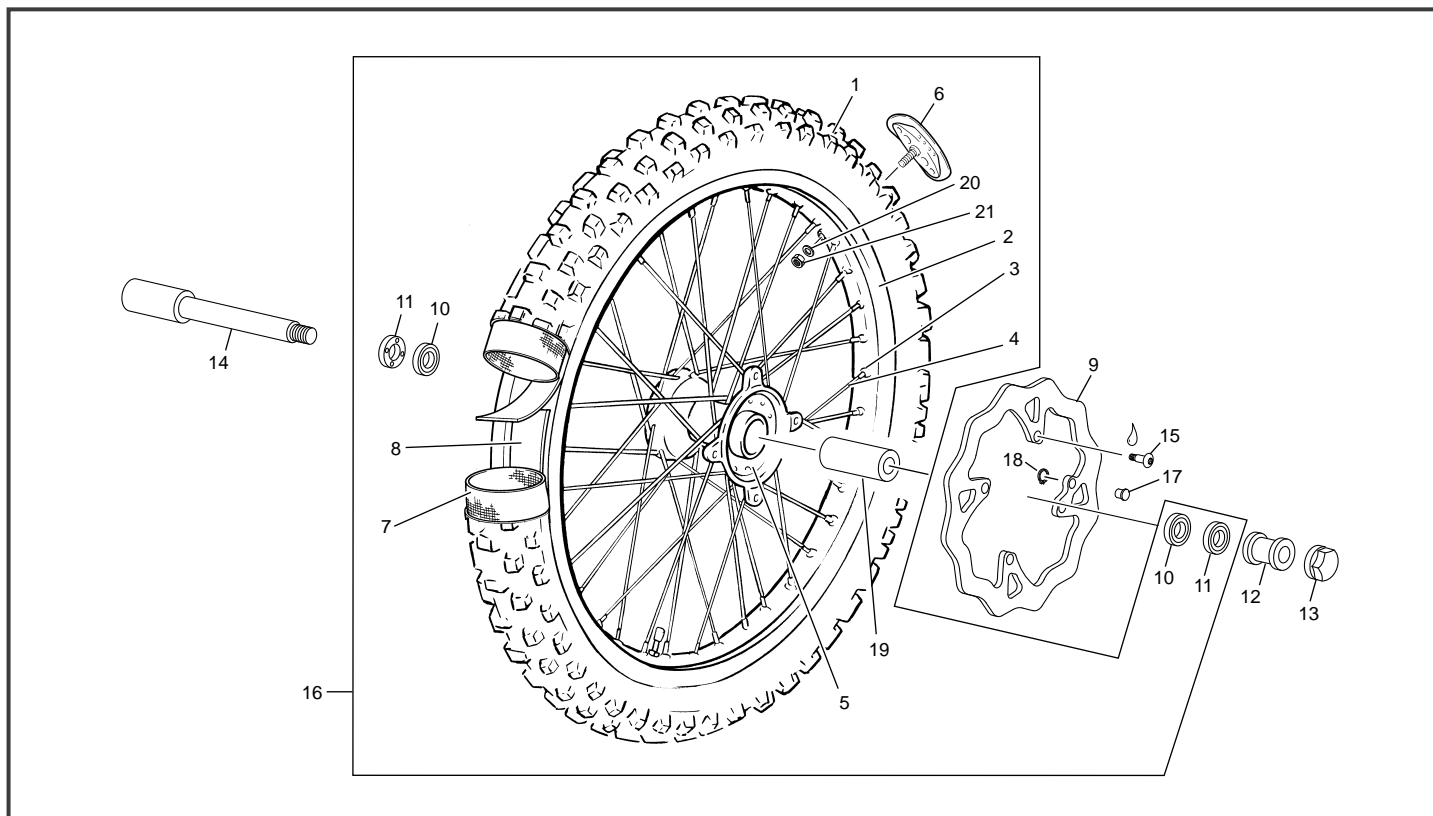
*Sherco se réserve les droits de modification des références, merci de contrôler sur le portail Sherconetwork avant toute commande. - *Sherco reserves the right to make change on the references, please check on your Sherconetwork portal before ordering.
*Sherco se reserva el derecho para hacer modificaciones sobre las referencias. Por favor, verifica en el Sherconetwork antes de hacer un pedido.

Faisceau électrique Electrical system / Instalación eléctrica



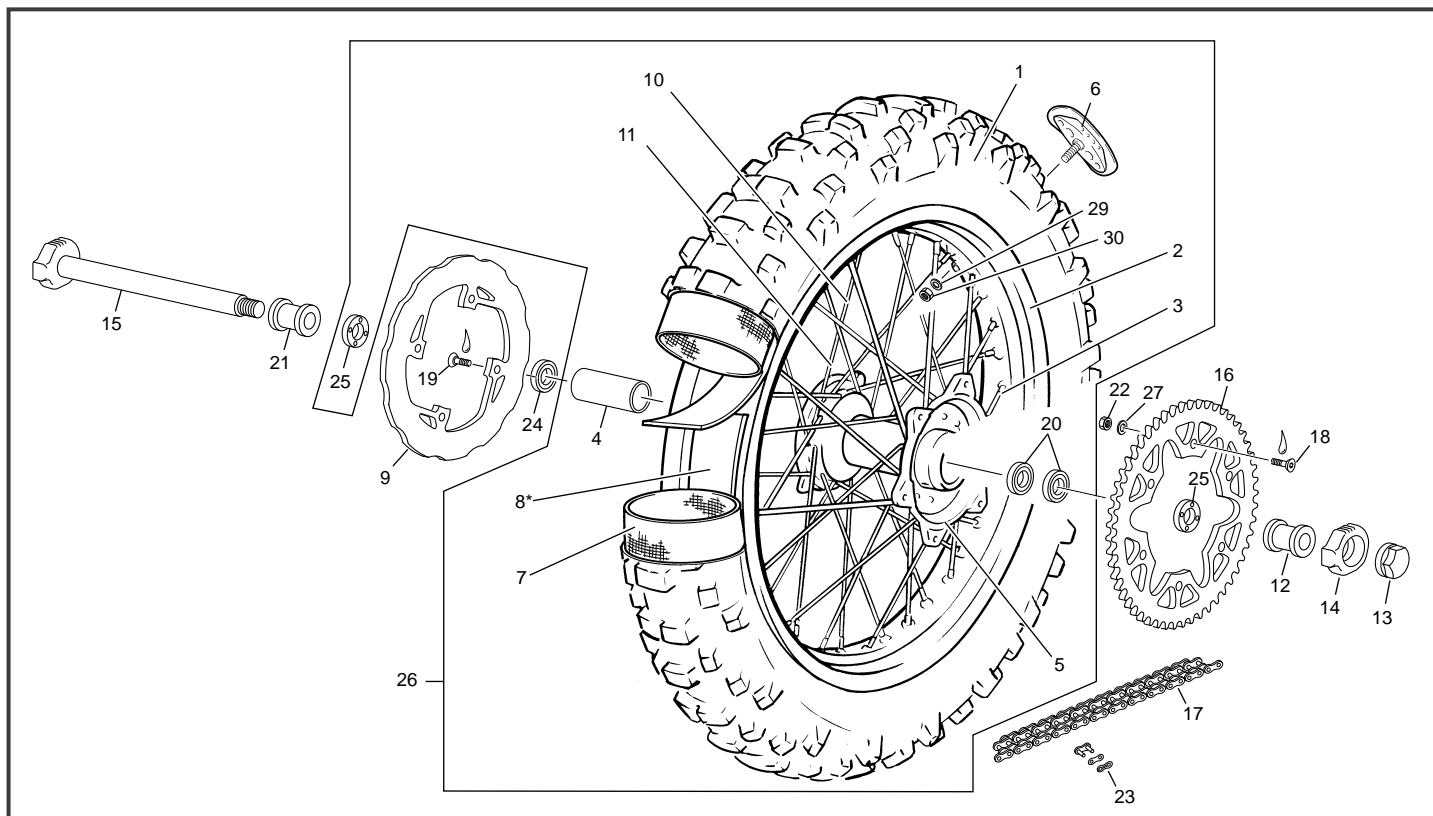
| POS. | 250 SEF-F | 300 SEF-F | FRANÇAIS | ENGLISH | ESPAÑOL |
|------|-----------|-----------|---|--|---|
| 36 | 0553 | 0553 | VIS TH EP 5 X 12 | SREW TH EP 5 X 12 | TORNILLO TH EP 5 X 12 |
| 37 | 4526 | 4526 | SUPPORT COMPTEUR SE SEF 250 TRAIL TECH RACING | SPEEDO METER HOLDER SE SEF 250 TRAIL TECH RACING | SUPPORTE VELOCIMETRO SE SEF 250 TRAIL TECH RACING |
| 38 | 3510 | 3510 | FEU ECLAIRAGE PLAQUE END 2012 | PLATE NUMBER REAR LIGHT END 2012 | FARO TRAS HOMOLO END 2012 |
| 39 | 3506 | 3506 | FEU AR END 450 2012 | RACING REAR LIGHT END 450 2012 | RACING FARO TRAS END 450 2012 |
| 40 | M378 | M378 | ECROU CLIP M5 | NUT CLIM M5 | TUERCA CLIP M5 |
| 41 | 4474 | 4474 | MOUSSE ECU M3C END | FOAM ECU M3C END | ESPUMA ECU M3C END |
| 42 | 0659 | 0659 | VIS CHC M5 X 25 PRE IMPREGNEE FAIBLE | SCREW CHC M5 X 25 PRE IMPREGNEE FAIBLE | TORNILLO M5 X 25 DIN 912 PRE IMPREGNEE FAIBLE |
| 43 | M306 | M306 | ECROU NYLSTOP M6 | NUT NYLSTOP M6 | TUERCA NYLSTOP M6 |
| 44 | C427 | C427 | RONDELLE M6 X 15 | WASHER M6 X 15 | ARANDELA M6 X 15 |
| 45 | C067 | C067 | AMPOULE 2001 12V 5W | BULB 2001 | BOMBILLA 2001 12V 5W |
| 46 | 8399 | 8399 | SUPPORT CLIGNOTANT DROIT END | SUPPORT RIGHT TURN LIGHT END | SOPORTE INTERMITENTES DER. END |
| 47 | 8400 | 8400 | SUPPORT CLIGNOTANT GAUCHE END 2020 | SUPPORT LEFT TURN LIGHT END 2020 | SOPORTE INTERMITENTES IZQ. END 2020 |
| 48 | 0364 | 0364 | CENTRALE CLIGNOT END 450 | INDICATIVE LIGHT SYSTEM END 450 | CENTRAL INTERMITENCIA END 450 |

Roue avant Front wheel / Rueda delantera



| POS. | 250 SEF-F | 300 SEF-F | FRANÇAIS | ENGLISH | ESPAÑOL |
|------|-----------|-----------|---|---|--|
| 1 | 7392 | 7392 | PNEU AVANT 90/90 - 21 54R F TT MEDIUM | FRONT TYRE 90/90 - 21 54R F TT | NEUMATICO DEL 90/90 - 21 54R F TT |
| 2 | 1203 | 1203 | JANTE NOIRE AV 1.6 X 21 | BLACK RIM FRONT 1.6 X 21 | LLANTA NEGRA DEL 1.6 X 21 |
| 3 | 6181 | 6181 | ECROU RAYON ALUMINIUM M5/M4 | SPOKE HEAD ALOYALUMINIUM M5/M4 | CABEZA RADIO ALUMINIO M5/M4 |
| 4 | 6183 | 6183 | RAYON AVANT 3.5/3/6/3.5 233 SE/SEF | SPOKE FRONT 3.5/3/6/3.5 233 SE/SEF | RADIO DELANTERO 3.5/3/6/3.5 233 SE/SEF |
| 5 | 0822 | 0822 | MOYEU COMPLET AV SM 450 | HUB SM 450 | BUJE DEL CPL SM 450 |
| 6 | 3575 | 3575 | GRIPSTER RACING 1.6 END 450 | RACING TYRE STAY END1.60 | AGARRACUBERTIAS RACING END 450 |
| 7 | 0313 | 0313 | CHAMBRE OXIA 2.75/3.00-21 80 / 100 - 21 | TUBE OXIA 2.75/3.00-21 80 / 100 - 21 | CUBIERTAS 21 END/MX 2.75/3.00-21 |
| 8 | 0314 | 0314 | FOND JANTE AV 21 END 450 | RIM RUBBER BAND 21 END 450 | FONDO LLANTAS 21 END 450 |
| 9 | 7395 | 7395 | DISQUE FREIN AV XP FACTORY | FRONT BREAK DISC XP FACTORY | DISCO FRENO DEL XP FACTORY |
| 10 | 0175 | 0175 | ROULEMENT BILLE 6004.2RSH/C3 | BERING BALL 6004.2RSH/C3 | COJINETE 6004.2RSH/C3 |
| 11 | 0706 | 0706 | JOINT DOUBLE LEVRE 25 X 42 X 7 | SEAL 25 X 42 X 7 | RETEN 25 X 42 X 7 |
| 12 | 6750 | 6750 | ENTRETOISE ROUE AVANT XPLOR / KYB | FRONT WHEEL SPACER XPLOR / KYB | CASQUILLO RUEDA DEL XPLOR / KYB |
| 13 | 0316 | 0316 | ECROU ROUE AVANT END 450 | FRONT WHEEL BOLT END 450 | TUERCA RUEDA DEL END 450 |
| 14 | 6759 | 6759 | AXE DE ROUE AVANT XPLOR | FRONT WHEEL AXEL XPLOR | EJE RUEDA DEL XPLOR |
| 15 | 0452 | 0452 | VIS SPECIALE DISQUE END 450 | SCEW SPECIAL BRAKE DISC END 450 | TORNILLO ESPECIAL DISCO FRENO END 450 |
| 16 | 7608 | 7608 | ROUE AVANT NOIRE SANS DISQUE MICHELIN | FRONT WHEEL BLACK WITHOUT DISC MICHELIN | RUEDA DEL NEGRA SIN DISCO MICHELIN |
| 17 | 4529 | 4529 | AIMANT CAPTEUR COMPTEUR TRAIL TECH | MAGNETIC BOLT TRAIL TECH | IMAN SENSOR CONTADOR TRAIL TECH |
| 18 | 4603 | 4603 | CIRCLIP AIMANT D9 TRAIL TECH | CIRCLIP D9 | CIRCLIP D9 |
| 19 | 4972 | 4972 | ENTRETOISE MOYEU AV 250/510 END | FRONT HUB SPEACER 250/510 END | SEPARADOR BUJE DEL 250/510 END |
| 20 | 5497 | 5497 | RONDELLE GROSVER M8 ZI | WASHER GROSVER M8 ZI | ARRANDELA GROSVER M8 ZI |
| 21 | 3481 | 3481 | ECROU BAS M8 ZI BLANC | NUT M8 | TUERCA M8 |

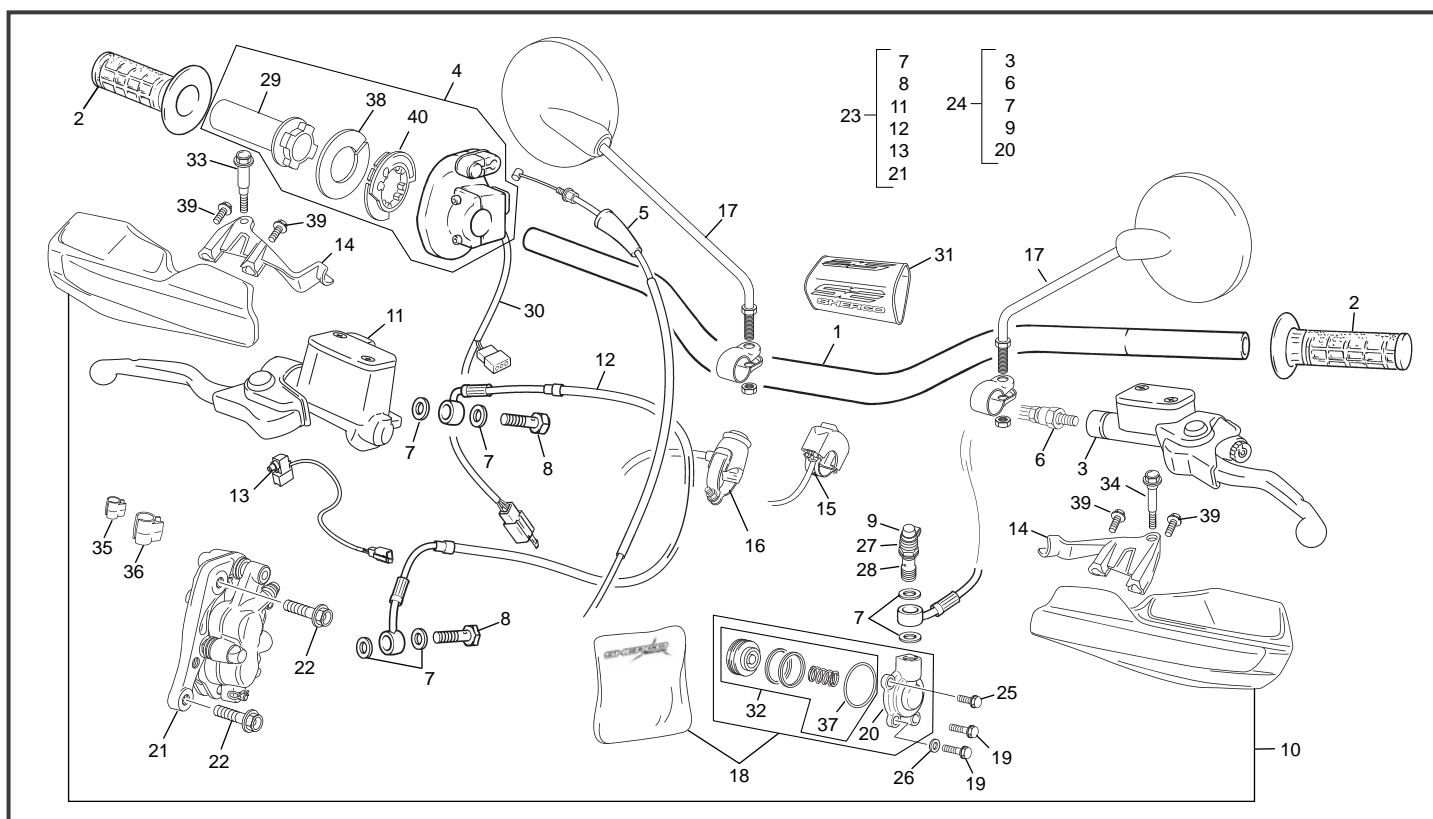
Roue arrière Rear wheel / Rueda trasera



| POS. | 250 SEF-F | 300 SEF-F | FRANÇAIS | ENGLISH | ESPAÑOL |
|------|-----------|-----------|---|---|---------------------------------------|
| 1 | 7391 | 7391 | PNEU AR 140 X 18 70R R TT MEDIUM | BACK TYRE 140 X 18 70R R TT | NEUMATCO TRAS 140 X 18 70R R TT |
| 2 | 1204 | 1204 | JANTE NOIRE AR 2,15 X18 | BLACK REAR RIM 2.15 X18 | LLANTA NEGRA TRAS 2.15 X18 |
| 3 | 6182 | 6182 | ECROU RAYON ALUMINIUM M5/M4.5 | SPOKE HEAD ALOYALUMINIUM M5/M4.4 | CABEZA RADIO ALUMINIO M5/M4.5 |
| 4 | 4973 | 4973 | ENTRETOISE MOYEU AR 250/510 END | REAR HUB SPEACER 250/510 END | SEPARADOR BIJE TRAS 250/510 END |
| 5 | 0823 | 0823 | MOYEU COMPLET AR SM | BACK HUB SM | BIJE TRAS SM |
| 6 | 3576 | 3576 | GRIPSTER RACING 2.15" AR END 450 | RACINGTYRE STAY BACK END 2.15" | AGARRACUBIERTAS RACING TRAS END 450 |
| 7 | 0324 | 0324 | CHAMBRE AIR 18 END 250/510 | TUBE OXIA 4.25/4.50-18 140/80-18 | CAMARA 18 END 250/510 |
| 8 | 10013* | 10013* | FOND JANTE AR 18 END 450 | BACK RIM RUBBER 18 END 450 | FONDO LLANTA 18 END 450 |
| 9 | 3789 | 3789 | DISQUE FREIN AR END 250/300 RACING PLEIN 2012 | REAR BREAK FULL DISC END 2012 | DISCO FRENO TRAS END 2012 |
| 10 | 0711 | 0711 | RAYON POSTERIEUR 4/35,4 L 193 | ECO ZING SPOKE 4/3.5/4 193 MM THREAD MM18 NECK 2 BEND 171 | RADIO TRASERO 4/35,4 L 193 |
| 11 | 0712 | 0712 | RAYON POSTERIEUR 4/35,4 L 197 | ECO ZING SPOKE 4/3.5/4 197 MM THREAD MM18 NECK 3 BEND 171 | RADIO TRASERO 4/35,4 L 193 |
| 12 | 0343 | 0343 | ENTRETOISE ROUE AR GAUCHE END 450 | REAR WHEEL SPACER LEFT END 450 | CASQUILLO RUEDA TRAS IZQ END 450 |
| 13 | 0329 | 0329 | ECROU ROUE AR | REAR BOLT WHEEL | TUERCA RUEDA TRAS |
| 14 | 0327 | 0327 | TENSEUR CHAINE DROIT END 450 | RIGHT CHAIN TENSOR END 450 | TENSOR CADENA DER END 450 |
| 15 | 0326 | 0326 | AXE DE ROUE AR END | REAR WHEEL AXEL END | EJE RUEDA TRAS END |
| 16 | 7919 | 7919 | COURONNE ACIER SUPER LIGHT ANTIBOUÉ 48 DENTS | REAR SPROCKET STEEL SUPER LIGHT MUD GROOVE 48 TEETH | CORONA DE ACERO EJERCITO 48 DIENTES |
| 16 | 8197 | 8197 | COURONNE ACIER SUPER LIGHT ANTIBOUÉ 49 DENTS | REAR SPROCKET STEEL SUPER LIGHT MUD GROOVE 49 TEETH | CORONA DE ACERO EJERCITO 49 DIENTES |
| 17 | 8413 | 8413 | CHAINE 112M SE SEF | CHAIN 112M SE SEF | CADENA 112M SE SEF |
| 18 | 0454 | 0454 | VIS SPECIALE COURONNE END 450 | SCREW SPECIAL SPROCKET END 450 | TORNILLO ESPECIAL CORONA END 450 |
| 19 | 0452 | 0452 | VIS SPECIALE DISQUE END 450 | SCEW SPECIAL BRAKE DISC END 450 | TORNILLO ESPECIAL DISCO FRENO END 450 |
| 20 | 0716 | 0716 | ROULEMENT 6005 2RSH 25X47X12 END 450 | BEARING 6005 2RSH 25X47X12 | RODAMIENTO 6005 2RSH 25X47X12 |
| 21 | 3495 | 3495 | ENTRETOISE ROUE AR DROITE END 2012 | REAR WHEEL SPACER RIGHT END 2012 | CASQUILLO RUEDA TRAS DER END 2012 |
| 22 | M305 | M305 | ECROU NYLSTOP M8 0368.8 | NUT NYLSTOP M8 | TUERCA NYLSTOP M8 |
| 23 | R473 | R473 | ATTACHE RAPIDE DE CHAINE DID END | CONNECTING LINK DID END | ENGANCHE CADENA END DID |
| 24 | 0707 | 0707 | ROULEMENT 63005 2RS 25X47X16 | BEARING 63005 2RS 25X47X16 | RODAMIENTO 63005 2RS 25X47X16 |
| 25 | 0718 | 0718 | JOINT LEVRE 32X47X7 END 450 | OIL SEAL 32X47X7 | RETEN 32X47X7 |
| 26 | 6180 | 6180 | ROUE ARRIERE NOIRE SANS DISQUE/COURRONE | REAR WHEEL EVO BLACK WITHOUT DISC | RUEDA TRASSERA EVO NERO SIN DISCO |
| 27 | C430 | C430 | RONDELLE M8 | WASHER M8 | ARRANDELA M8 |
| 29 | 5497 | 5497 | RONDELLE GROSVER M8 ZI | WASHER GROSVER M8 ZI | ARRANDELA GROSVER M8 ZI |
| 30 | 3481 | 3481 | ECROU BAS M8 ZI BLANC | NUT M8 | TUERCA M8 |

* NOUVELLE PIECE
NEW PART
PIEZA NUEVA

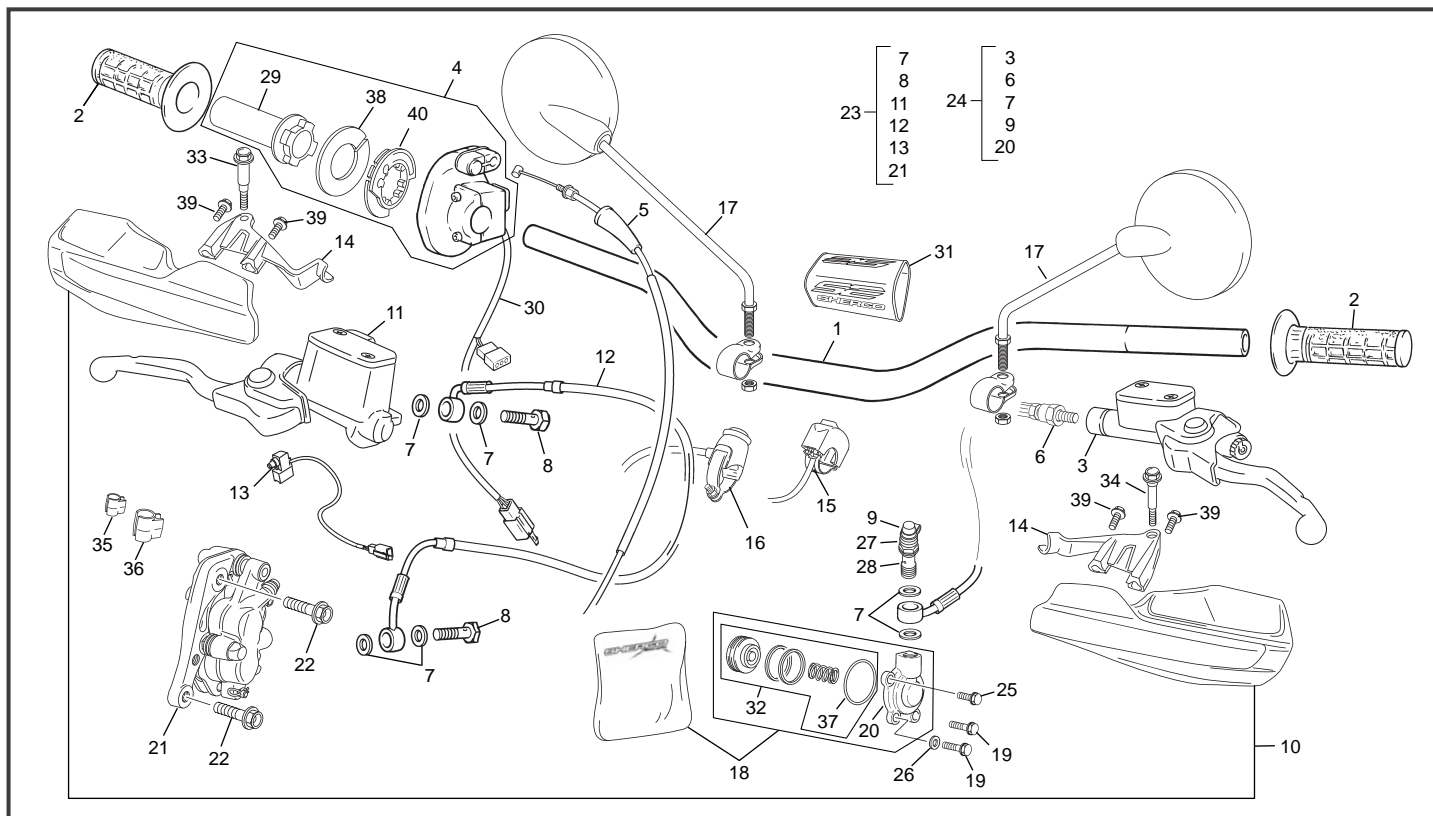
Guidon Handlebar / Manillar



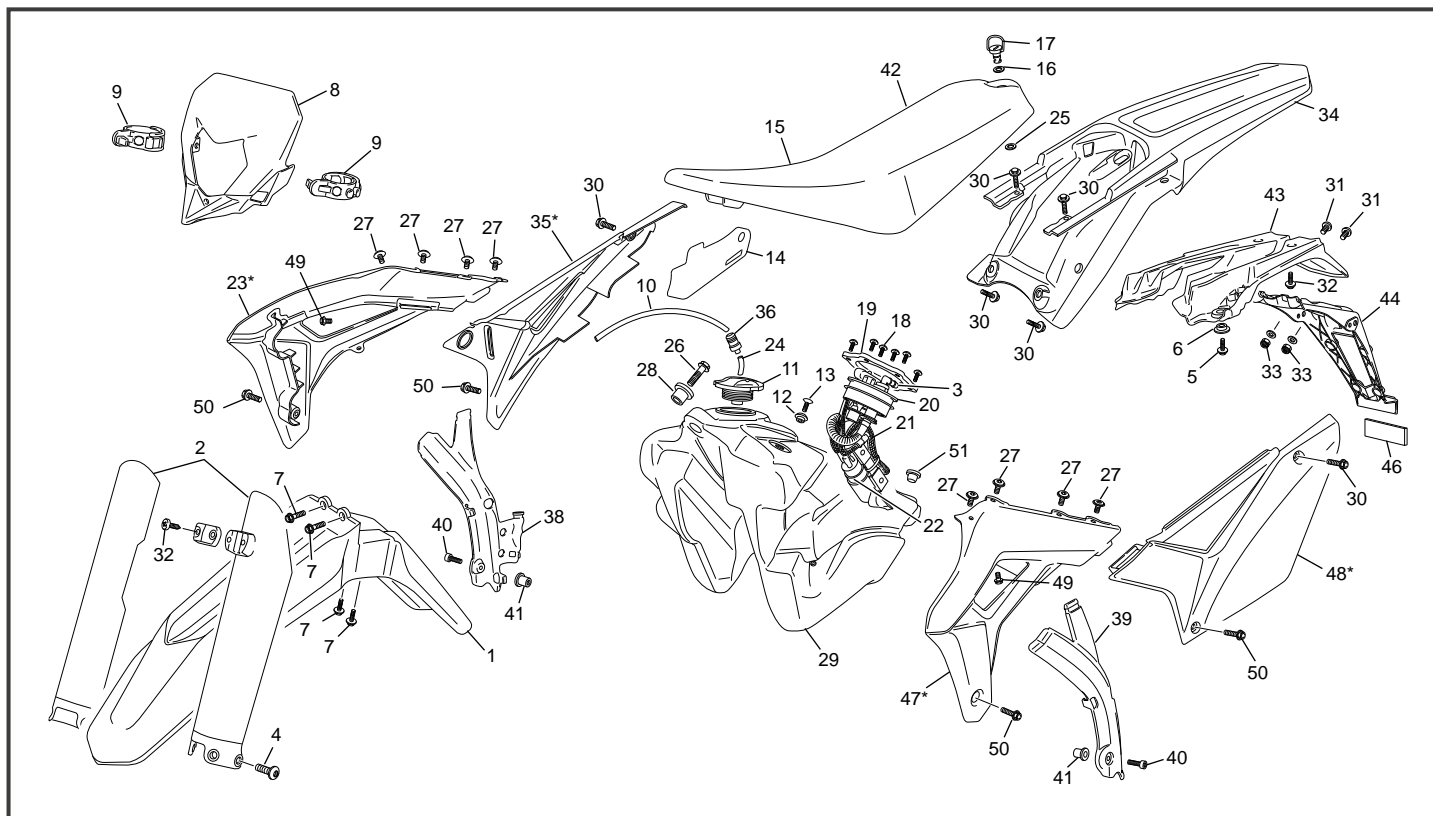
| POS. | 250 SEF-F | 300 SEF-F | FRANÇAIS | ENGLISH | ESPAÑOL |
|------|-----------|-----------|---------------------------------------|--|---|
| 1 | 6978 | 6978 | GUIDON NOIR ANTRACITE END EVO | BLACK ANTHRACITE HANDLE BAR END EVO | MANILLAR ANTRACITA END 450 |
| 2 | 9959 | 9959 | POIGNEE SHERCO PAIRE NOIR BLANC SOFT | GRIPS SET SHERCO BLACK WHITE SOFT | JUEGO EMPUNADURAS SHERCO NEGRA BLANCO SOFT |
| 3 | 5543 | 5543 | POMPE EMB CPL BREMBO | CLUTCH MASTER CYLINDER ASSY | GRUPO BOMBA EMBRAGUE |
| 4 | 4619 | 4619 | COMMANDE DE GAZ END 250/300 SYN | THROTTLE GAZ END 250/300 SYN | MANDO GAS END 250/300 SYN |
| 5 | 4832 | 4832 | CABLE DE GAZ SEF EVO | THROTTLE CABLE SEF EVO | CABLE DE GAZ SEF EVO |
| 6 | 3617 | 3617 | DURITE EMBRAYAGE END 125/250/300 | CLUTCH HOSE 125/250/300 | LATIGUILLO EMBRAGUE 125/250/300 |
| 7 | 3620 | 3620 | RONDELLE BANJO END BREMBO | COPPER WASHER END BREMBO | ARANDELLA BANJO END BREMBO |
| 8 | 3619 | 3619 | VIS RACCORD BANJO END 2.5/3.0 12 | BANJO BOLT END 12 | TORNILLO RACORD END 12 |
| 9 | 3618 | 3618 | PROTECTION VIS DE PURGE END 12 | DUST COVER END 12 | PROTECCIÓN TORNILLO DE PURGA END 12 |
| 10 | 6102 | 6102 | PARES MAINS BLEU JEU SE SEF | HAND GUARD BLUE SHERCO SET END | PARA MANO AZUL JUEGO SHERCO END |
| 11 | 5544 | 5544 | POMPE FREIN AV CPL END R | FRONT BRAKE MASTER CYLINDER END | BOMBA FRENO DEL BREMBO END |
| 12 | 3563 | 3563 | DURITE FREIN AV END 2.5/5.1 12 | FRONT BRAKE HOSE END 2.5/5.1 12 | LATIGUILLO FRENO DELANTERO END 2.5/5.1 12 |
| 13 | 5705 | 5705 | CONTACT FREIN AVANT BREMBO | CONTACT FRONT BRAKE LIGHT BREMBO | INTERRUPTOR FRENO DELANTERO BREMBO |
| 14 | 6261 | 6261 | SUPPORT PARES MAINS SHERCO JEU SE SEF | HAND GUARD BRACKETS BLACK SHERCO SET END | SOPORTE PARA MANO JUEGO SHERCO END |
| 15 | 3507 | 3507 | COMMUTATEUR PHARE RACING END | COMMAND LIGHT RACING END | CONMUTADOR FARO RACING END |
| 16 | 3658 | 3658 | BOUTON STOP MOTEUR ENDURO | STOP ENGINE ENDURO | STOP MOTOR EN DURO |
| 17 | S232 | S232 | RETROVISEUR | DRIVING MIRROR | RETROVISOR |
| 18 | 6616 | 6616 | RECEPTEUR D EMBRAYAGE SEF | CLUTCH RECEIVER END | BOMBIN EMBRAGE END |
| 19 | 0656 | 0656 | VIS TH EP 6 X 16 | SREW TH EP 6 X 16 | TORNILLO TH EP 6 X 16 |
| 20 | 3915 | 3915 | CYLINDRE RECEPTEUR D EMBRAYAGE | CYLINDRE CLUTCH RECEIVER | CILINDRO BOMBIN EMBRAGE |
| 21 | 3561 | 3561 | ETRIER FREIN AVANT BREMBO END | BREMBO FRONT CALIPER ASSY END | PINZA FRENO DEL BREMBO END |
| 22 | 4620 | 4620 | VIS TH EP M8 X 32 ETRIER BREMBO | SCREW TH EP M8 X 32 | TORNILLO TH EP M8 X 32 |
| 23 | 5540 | 5540 | GRUPE FREIN AVANT COMPL | FRONT BREAK SYSTEM END | CTO FRENO DEL END |
| 24 | 5541 | 5541 | GRUPE EMBRAYAGE CLP SEF | HYDROLIC CLUTCH SYSTEM END SEF | CTO ENBRAGUE END SEF |
| 25 | 0943 | 0943 | VIS TH EP 6 X 12 | SCREW TH EP M6 X 12 | TORNILLO TH EP M6 X 12 |
| 26 | M317 | M317 | RONDELLE 6 X12 0407 6 | WASHER X 6 | ARANDELA 6 DIN 125 A |
| 27 | 3639 | 3639 | PURGEUR BREMBO END 12 | BLEEDER SCREW BREMBO | TORNILLO DE PURGA BREMBO |
| 28 | 3640 | 3640 | RACCORD BANJO END 12 | BANJO BOLT | TORNILLO BANJO BREMBO |
| 29 | 4974 | 4974 | TUBE COMMANDE DE GAZ END MM | PIPE THROTTLE CONTROL END | TUBO MANDO DE GAS END |
| 30 | 4975 | 4975 | CONNECTEUR DOUBLE COURBE | SWITCH DOBLE CURVE | CONECTADOR DOBLE ENCORVA |
| 31 | 8698 | 8698 | MOUSSE GUIDON SEF FACTORY JAUNE EVO | FOAM HANDLEBAR YELLOW FACTORY EVO | ESPUMA MANILLAR AMARILLO FACTORY EVO |
| 32 | 1954 | 1954 | KIT REPARATION PISTON EMBRAYAGE | KIT REPAIR CLUTCH CYLINDER | KIT REPARACION PISTON EMBRAGUE |
| 33 | 6213 | 6213 | KIT VIS PARES MAINS SEF DROIT | HAND GUARD SCREW BRAKE KIT | TORNILLO PARA MANO SEF DERECHA KIT |
| 34 | 6214 | 6214 | VIS PARES MAINS SEF GAUCHE | HAND GUARD SCREW CLUTCH SIDE | TORNILLO PARA MANO SEF IZQUIERDA |
| 35 | 6635 | 6635 | CLIP FIXATION CABLE COMPTEUR PETIT | WIRE FIXING CLIP SMALL | CLIP FIXACION CABLE CUENTAQUILOMETROS PEQUENO |

*Sherco se réserve les droits de modification des références, merci de contrôler sur le portail Sherconetwork avant toute commande. - *Sherco reserves the right to make change on the references, please check on your Sherconetwork portal before ordering.
 *Sherco se reserva el derecho para hacer modificaciones sobre las referencias. Por favor, verifica en el Sherconetwork antes de hacer un pedido.

Guidon Handlebar / Manillar

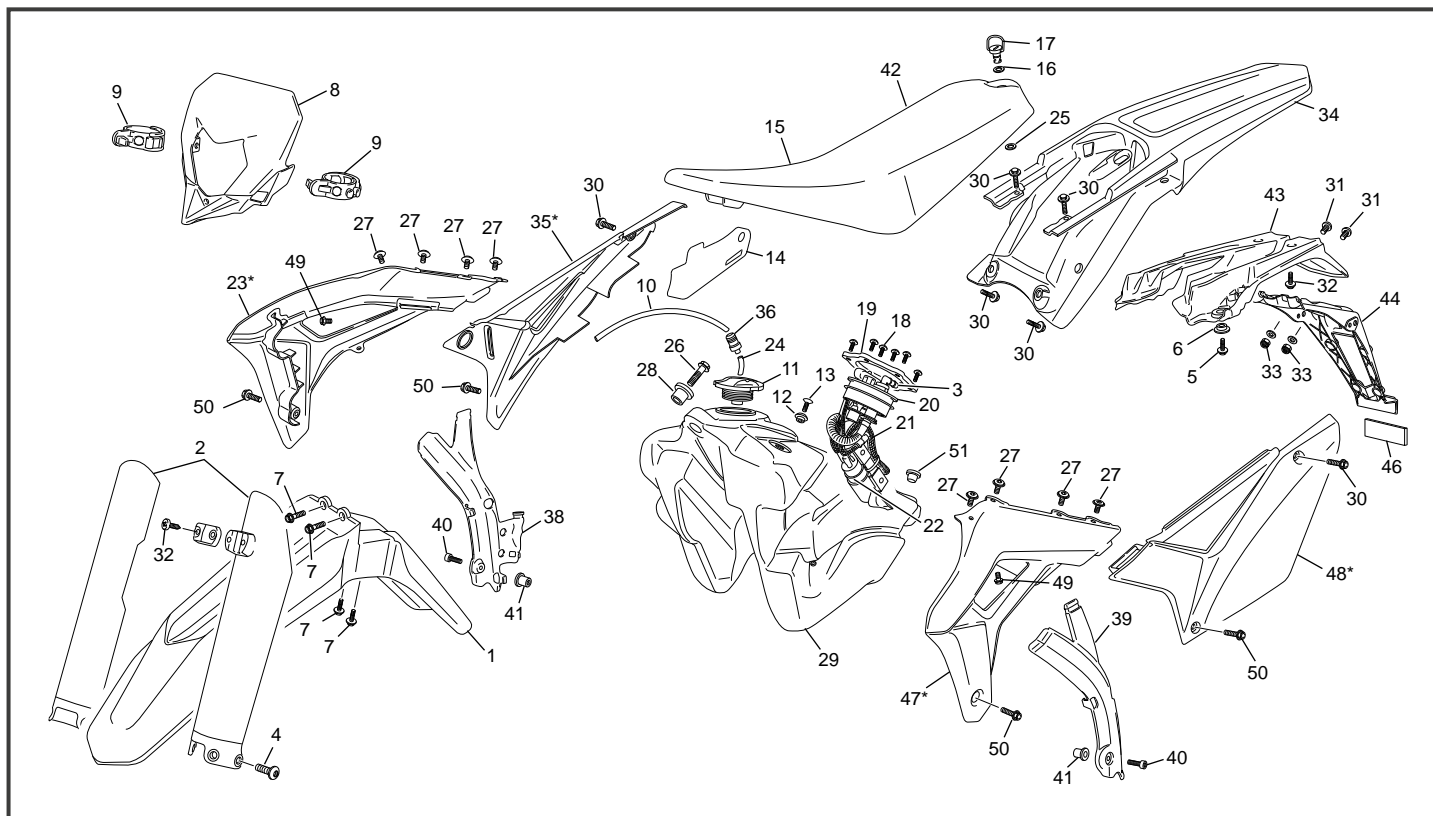


| POS. | 250 SEF-F | 300 SEF-F | FRANÇAIS | ENGLISH | ESPAÑOL |
|------|-----------|-----------|------------------------------------|----------------------|--|
| 36 | 6636 | 6636 | CLIP FIXATION CABLE COMPTEUR GRAND | WIRE FIXING CLIP BIG | CLIP FIXACION CABLE CUENTAQUILOMETROS GRANDE |
| 37 | 3643 | 3643 | TORIQUE EMB/CARTER | O-RING (CLUTCH) | TORICA EMBRA/CARTER |
| 38 | 1970 | 1970 | RONDELLE FRICTION POIGNEE GAZ | PLATE THRUST | ARANDELA ESPUMA PUÑO GAS |
| 39 | 3555 | 3555 | VIS PLASTIQUE DELTA 5 X18 | PLASTIC SCREW 5 X18 | TORNILLO PLASTIC 5X18 |
| 40 | 8638 | 8638 | CAME DE GAZ 4T | CAM REEL 4T | ANILLO DE GAS DE CONTROL 4T |



| POS. | 250 SEF-F | 300 SEF-F | FRANÇAIS | ENGLISH | ESPAÑOL |
|------|-----------|-----------|--|---|---|
| 1 | 6383 | 6383 | PARE BOUE AVANT BLEU END 2016 EVO | BLUE FRONT MUGUARD END 450 2016 EVO | GUARDABARRO DEL AZUL END 450 2016 EVO |
| 2 | 6755 | 6755 | PROTECTEUR FOURCHE BLANC PAIRE | WHITE FORK PROTECTOR SET | PROTECTOR HORQUILLA JUEGO BLANCO |
| 3 | 4944 | 4944 | RACCORD PLASTIQUE POMPE ESS. END | FUEL CONEXION PUMP END | CONECTOR BOMBA GASOLINA END |
| 4 | 6757 | 6757 | VIS SPECIALE PROTECTEUR FOURCHE XPLOR | FORK PROTECTOR BOLT XPLOR | TORNILLO ESPECIAL PROTECTOR HORQUILLA XPLOR |
| 5 | 0546 | 0546 | VIS TH EP 6 X 20 | SREW TH EP 6 X 20 | TORNILLO TH EP 6 X 20 |
| 6 | 3097 | 3097 | ENTRETOISE 2 INOX | SPACER 2 INOX | CASQUILLO 2 INOX |
| 7 | 8601 | 8601 | VIS TH EP 6 X 20 EPAULE | SREW TH EP 6 X 20 SPECIAL | SREW TH EP 6 X 20 SPECIAL |
| 8 | 3065 | 3065 | PLAQUE PHARE END 2012 | FRONT LIGHT PLASTIC END 2012 | PLACA FARO END 2012 |
| 9 | H050 | H050 | ELASTIQUE PLAQUE PHARE | FRONT LIGHT RUBBER BAND | ELASTICO PLAQA FARO |
| 10 | 0252 | 0252 | DOURITE ESSENCE DIA INT 5 DIA EXT 9 X 350 MM | PETROL TUBE DIA INT 5 DIA EXT 9 X 350 MM | TUBO RESPIRADERO DIA INT 5 DIA EXT 9 X 350 MM |
| 11 | H398 | H398 | BOUCHON ESSENCE PLAT ACERBIS | PETROL CAP | TAPON GASOLINA PLANO ACERBIS |
| 12 | 0497 | 0497 | FIXATION SELLE RESERVOIR END 450 | SPACER SEAT /TANK END 450 | CASQUILLO SILING DEPOSITO END 450 |
| 13 | 0652 | 0652 | VIS FHC M6 X 25 | SCREW FHC M6 X 25 | TORNILLO AVELL M6 X 25 DIN 7991 |
| 14 | 6684 | 6684 | PROTECTION THERMIQUE PLAQUE LATERAL | THERMIC PROTECTOR SIDE NUMBER PLATE | PROTECTOR TERMICO PLACA LATERAL |
| 15 | 7298 | 7298 | SELLE GRIS DIAMANT FACTORY | FACTORY SEAT GRAY DIAMANT | SILLIN GRIS DIAMANT FACTORY |
| 16 | 6732 | 6732 | RONDILLE PLASTIQUE SELLE 2017 | WASHER PLASTIQUE SELLE 2017 | ARENDELLA PLASTIQUE SELLE 2017 |
| 17 | 6685 | 6685 | DZUS DE SELLE L29 D8 END 2017 | DZUS DE SELLE L29 D8 END 2017 | DZUS DE SELLE L29 D8 END 2017 |
| 18 | 0888 | 0888 | VIS TH EP 5 X 16 | SCREW TH EP M5 X16 | TORNILLO TH EP M5 X16 |
| 19 | 3033 | 3033 | PLATINE SUPPORT POMPE INJECTION END 2012 | INJECTION PUMP HOLDER END 2012 | SUPPORTE BOMBA INYECCION END 2012 |
| 20 | 3550 | 3550 | JOINT TORIQUE POMPE A ESSENCE END 2012 | O RING FUEL PUMP END 2012 VITON | TORICA BOMBA INYECCION FPM |
| 21 | 3482 | 3482 | POMPE INJECTION END 2012 | INJECTION PUMP END 2012 | BOMBA INYECCION END 2012 |
| 22 | 3351 | 3351 | FILTRE A ESSENCE END BITRON | PETROL FILTER END BITRON | FILTRO GASOLINA END BITRON |
| 23 | 10669* | 10669* | OUIE DROITE END IPD FACTORY 23" | RADIATOR SIDE PANEL R END IPD FACTORY 23" | RADIADOR SIDE PANEL R END IPD FACTORY 23" |
| 24 | 5585 | 5585 | DURITE ESSENCE DIA INT 5 DIA EXT 9 X 50 MM | PETROL TUBE DIA INT 5 DIA EXT 9 X 50 MM | TUBO RESPIRADERO DEPOSITO DIA INT 5 DIA EXT 9 X 50 MM |
| 25 | 6683 | 6683 | RONDILLE VEROUILLAGE DZUS END 450 D8 | WASHER VEROUILLAGE DZUS END 450 D8 | ARANDELLA VEROUILLAGE DZUS END 45 D8 |
| 26 | 0547 | 0547 | VIS TH EP 6 X 30 | SCREW TH EP 6 X 30 | TORNILLO TH EP 6 X 30 |
| 27 | 6812 | 6812 | VIS SPECIALE M6X8 | SPECIAL SCREW M6X8 | TORNILLO SPECIAL M6X8 |
| 28 | 3349 | 3349 | SILENBLOC RESERVOIR END 2012 | SILENBLOC TANK END 2012 | SILENBLOC DEPOSITO END 2012 |
| 29 | 6499 | 6499 | RESERVOIR ESSENCE END 4T 17 | PETROL TANK END 250 4T 17 | DEPOSITO END 250 4T 17 |
| 30 | 5201 | 5201 | VIS TH EP SPECIAL M 6 X 16 | SPECIAL SCREW TH EP 6 X 16 | TORNILLO ESPECIAL TH EP 6 X 16 |
| 31 | 3679 | 3679 | VIS BHC 6 X 20 EMBASE ZINGUE NOIR | SCREW BHC 6 X 20 BLACK | TORNILLO 6 X20 BHC NEGRO |
| 32 | 3555 | 3555 | VIS PLASTIQUE DELTA 5 X18 | PLASTIC SCREW 5 X18 | TORNILLO PLASTIC 5X18 |
| 33 | 2086 | 2086 | ECROU EMBASE M6 EMBASE LISSE DIN 6923 | COLLAR HEX NUT FLAT BASIS M6 DIN 6923 | TUERCA CON VALONA BASE LISA M6 6923 |
| 34 | 7304 | 7304 | PARE BOUE ARRIERE SE SEF BLEU | BLUE BACK MUGUARD SE SEF | GUARDABARRO TRA SE SEF AZUL |
| 35 | 10671* | 10671* | PLAQUE LATERALE DROITE END IPD FACTORY 23" | SIDE NUMBER PLATE R END IPD FACTORY 23" | PLACA N° DER AZUL BLANCA END IPD FACTORY 23" |

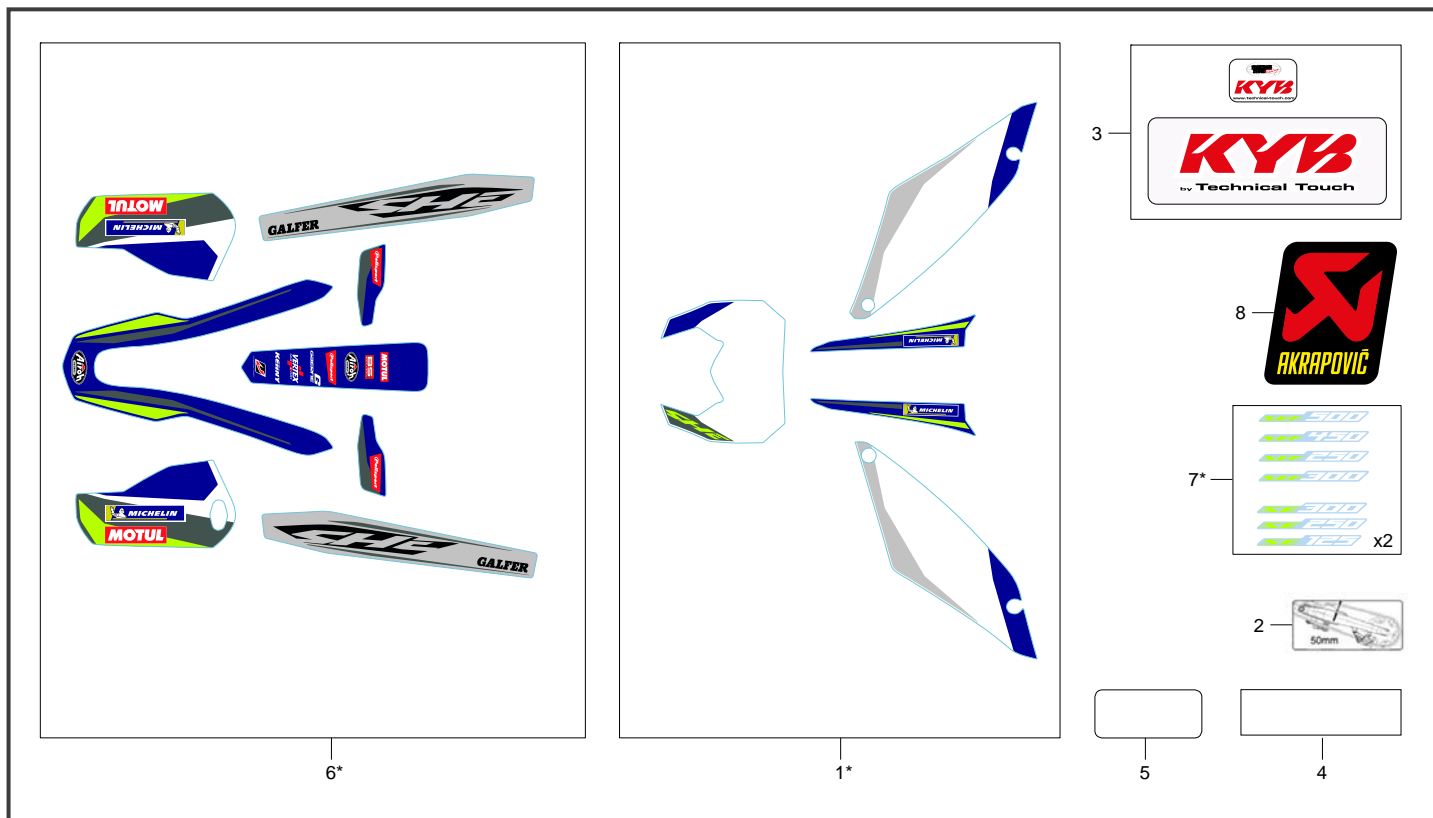
*Sherco se réserve les droits de modification des références, merci de contrôler sur le portail Sherconetwork avant toute commande. - *Sherco reserves the right to make change on the references, please check on your Sherconetwork portal before ordering.
*Sherco se reserva el derecho para hacer modificaciones sobre las referencias. Por favor, verifica en el Sherconetwork antes de hacer un pedido.



| POS. | 250 SEF-F | 300 SEF-F | FRANÇAIS | ENGLISH | ESPAÑOL |
|------|-----------|-----------|--|---|--|
| 36 | 5725 | 5725 | VALVE ANTI RETOUR PASTIQUE | ANTI RETURN VALVE PLASTIK | VALVULA ANTI RETORNO PLASTICO |
| 38 | 6618 | 6618 | PROTECTEUR CADRE DROIT | RIGHT FRAME PROTECTOR | PROTECTOR CUADRO DERECHO |
| 39 | 3486 | 3486 | PROTECTEUR CADRE GAUCHE | LEFT FRAME PROTECTOR | PROTECTOR CUADRO IZQUIERDO |
| 40 | 3880 | 3880 | VIS BHC M5X30 EMBASE ZI | SCREW BHC M5X30 EMBASE ZI | TORNILLO BHC M5X30 EMBASE ZI |
| 41 | 3793 | 3793 | ECROU M5 WELNUT | ECROU M5 WELNUT | ECROU M5 WELNUT |
| 42 | 7653 | 7653 | HOUSSE DE SELLE FACTORY | SLEEVE SEAT END FACTORY | FUNDA ASIENTO END FACTORY |
| 43 | 6512 | 6512 | BAVETTE FEU AR SE SEF 2017 | REAR NUMBER PLATE HOLDER SE SEF 2017 | PORTAMATRICULAS TRASERO SE SEF 2017 |
| 44 | 3549 | 3549 | SUPPORT PLAQUE IMMATRICULATION END 2012 | SUPPORT NUMBER PLATE END 2012 | SOPORT PLACA IMMATRICULACION END 2012 |
| 46 | 1526 | 1526 | CATADIOPTRE ROUGE AR 50 125 END SM | REAR RED REFLECTORS 50 125 END SM | REFLECTORES ROJO TRAS 50 125 END SM |
| 47 | 10670* | 10670* | OUIE GAUCHE END IPD FACTORY 23" | RADIATOR SIDE PANEL L END IPD FACTORY 23" | PLACA RADIADOR IZQU END IPD FACTORY 23" |
| 48 | 10672* | 10672* | PLAQUE LATERALE DROITE END IPD FACTORY 23" | SIDE NUMBER PLATE R END IPD FACTORY 23" | PLACA N° DER AZUL BLANCA END IPD FACTORY 23" |
| 49 | 3554 | 3554 | VIS BHC 6 X 8 EMBASE | SCREW BHC 6 X 8 | TORNILLO 6 X8 BHC |
| 50 | 5200 | 5200 | VIS TH EP SPECIAL M 6 X 20 | SPECIAL SCREW TH EP 6 X 20 | TORNILLO ESPECIAL TH EP 6 X 20 |
| 51 | 8567 | 8567 | BOUCHON FIXATION RESERVOIR | FUEL TANK CAP FIXING | TAPON DEPOSITO |

* NOUVELLE PIECE
NEW PART
PIEZA NUEVA

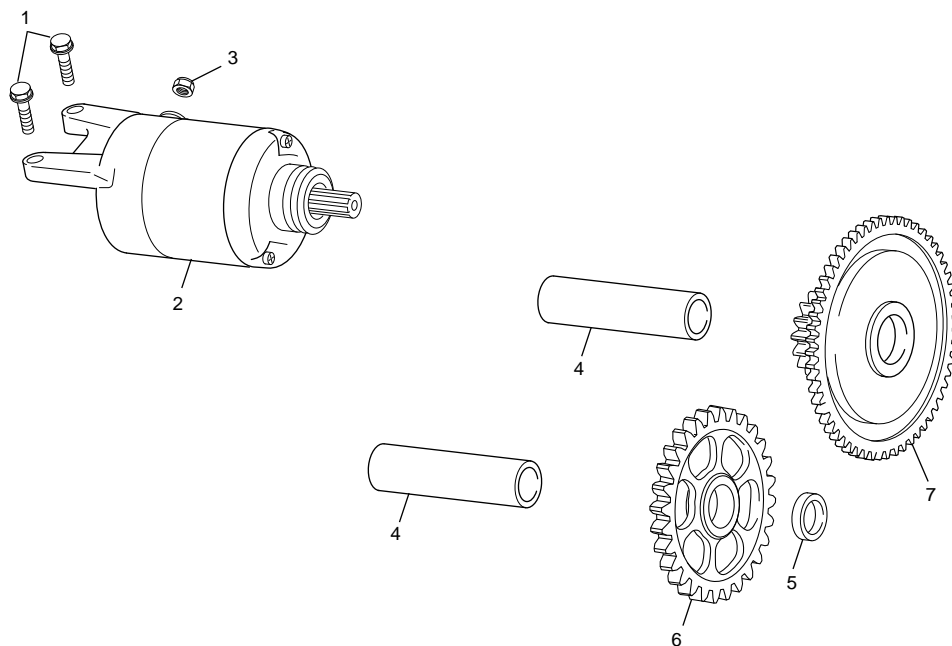
Adhésif Sticker / Adhesivo



| POS. | 250 SEF-F | 300 SEF-F | FRANÇAIS | ENGLISH | ESPAÑOL |
|------|-----------|-----------|--|--|--|
| 1 | 10668* | 10668* | KIT ADHESIF PLAQUES NUMERO 23" | NUMBER PLATE STICKER KIT 23" | PLACA NUMERO KIT ADHESIVOS 23" |
| 2 | 3735 | 3735 | ADHÉSIF TENSION DE CHAÎNE | STICKER CHAIN TENSIONER | ADHESIVO TENSION DE CADENA |
| 3 | 9992 | 9992 | KIT ADHESIF FOURCHE KAYABA ROUGE | KAYABA FORK STICKERS KIT RED | KAYABA JUEGO ADHESIVOS ROJO |
| 4 | 4516 | 4516 | ADH. PROTECTION N°. SERIE CADRE | STICKER N°. FRAME PRETECTION | ADH. N°. DE PROTECCIÓN CHASSIS |
| 5 | 5617 | 5617 | ADH. PROTECTION PLAQUE CONSTR. | STICKER CONSTR. PLATE PROTECTION | ADH. PLACA CONSTR. DE PROTECCIÓN |
| 6 | 10667* | 10667* | KIT ADHESIF PLAQUE BRAS PROTEC MAINS 23" | NUMBER PLATE SWING ARM HAND GARD STICKER KIT 23" | PLACA DE NÚMERO BASCULANTE PARAMANO KIT ADH. 23" |
| 7 | 10744* | 10745* | JEU ADHÉSIFS CYLINDRÉE "23 | ADHESIVE KIT DISPLACEMENT "23 | JUEGO ADHESIVOS CILINDRADA "23 |
| 8 | 5309 | 5309 | ADHESIF SILENCIEUX AKRAPOVIC END | STICKER SPECIAL AKRAPOVIC END | ADHESIVO SILENCOSO AKRAPOVIC END |

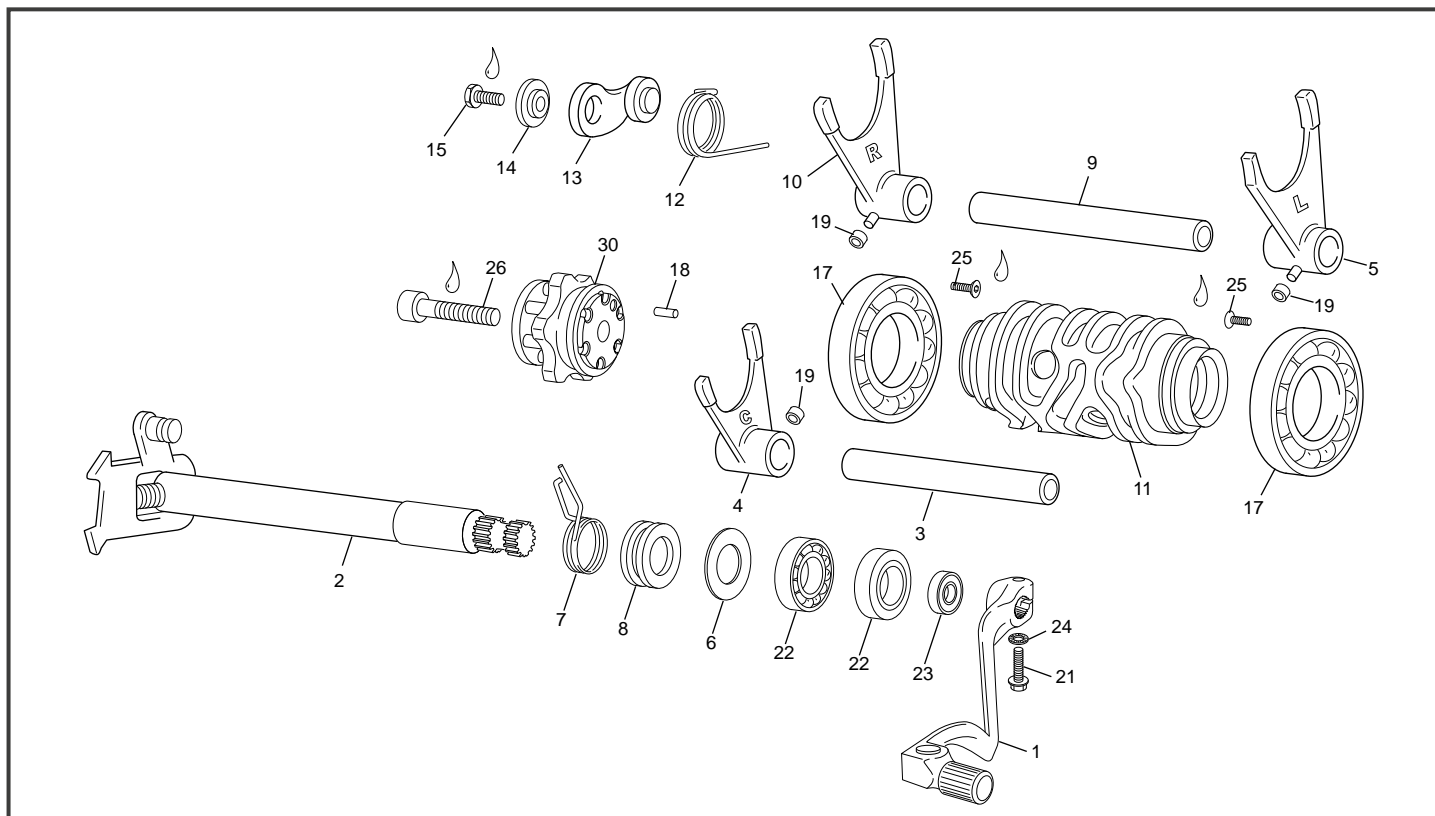
* NOUVELLE PIÈCE
NEW PART
PIEZA NUEVA

Démarrreur Starter motor / Motor de arranque



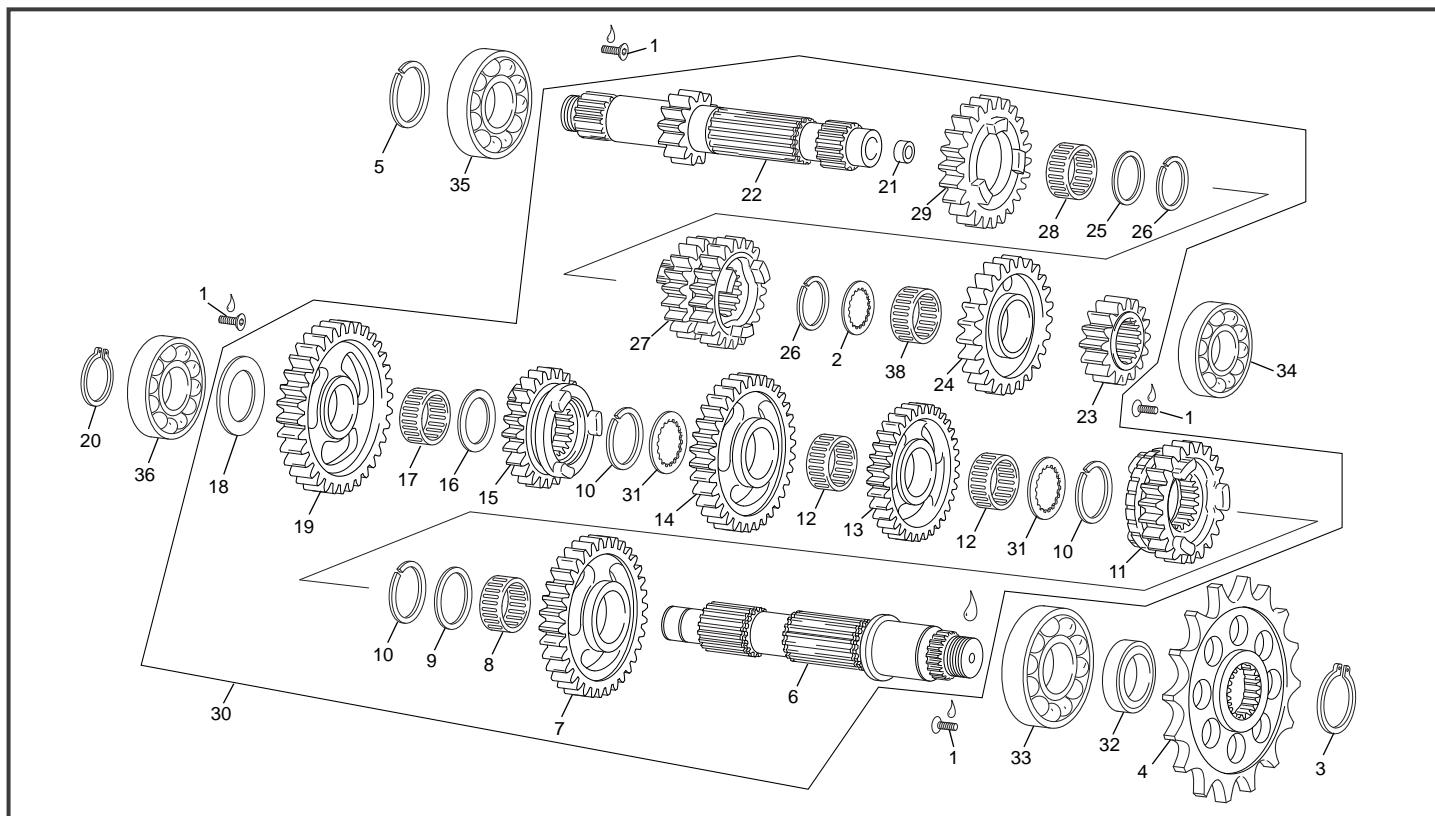
| POS. | 250 SEF-F | 300 SEF-F | FRANÇAIS | ENGLISH | ESPAÑOL |
|------|-----------|-----------|---|------------------------------------|-------------------------------------|
| 1 | 0546 | 0546 | VIS TH EP 6 X 20 | SREW TH EP 6 X 20 | TORNILLO TH EP 6 X 20 |
| 2 | 0972 | 0972 | DEMARREUR ELECTRIQUE 250 END | ELECTRIC START ENGINE 250 END | MOTOR ELECTRIC STARTER 250 END |
| 3 | M306 | M306 | ECROU NYLSTOP M6 0368.6 | NUT NYLSTOP M6 | TUERCA NYLSTOP M6 |
| 4 | 0960 | 0960 | AXE PIGNON INTERMEDIAIRE 250 END | INTERMEDIARI GEAR AXIS 250 END | EJE PIÑON INTERMEDIARIO 250 END |
| 5 | 0961 | 0961 | ENTRETOISE PIGNON INTERMEDIAIRE 250 END | WASHER INTERMEDIARI SPOKET 250 END | CASQUILLO EJE INTERMEDIARIO 250 END |
| 6 | 7972 | 7972 | PIGNON INTERMEDIAIRE Z28 250 SEF LIGHT | STARTERGEAR Z 28 250 SEF LIGHT | PINON INTERMEDIO Z28 250 SEF LIGHT |
| 7 | 1995 | 1995 | LIMITEUR DE COUPLE 250 END | TORQUE LIMITER 250 END | LIMITADOR DE PAR 250 END |

Selecteur Gear selector group / Selector cambio



| POS. | 250 SEF-F | 300 SEF-F | FRANÇAIS | ENGLISH | ESPAÑOL |
|------|-----------|-----------|--|--|---|
| 1 | 1042 | 1042 | SELECTEUR 250 300 450 SEF CYLINDRIQUE | SELECTEUR 250 300 450 SEF CYLINDRIQUE | PALANCA CAMBIO 250 300 450 SEF CYLINDER |
| 2 | 5064 | 5064 | AXE DE SELECTEUR COMPLET 250 END | AXE DE SELECTEUR COMPLET 250 END | ARBOL SELECTOR CILINDRICO 250 END |
| 3 | 1019 | 1019 | AXE DE FOURCHETTE 250 END | AXE DE FOURCHETTE 250 END | EJE HORQUILLA 90 MM 250 END |
| 4 | 2324 | 2324 | FOURCHETTE 5/6 250 END/MX EVO | FOURCHETTE 5/6 250 END/MX EVO | HORQUILLA 5/6 250 END/MX EVO |
| 5 | 1016 | 1016 | FOURCHETTE 2/4 250 END | FOURCHETTE 2/4 250 END | HORQUILLA 2/4 250 END |
| 6 | 0529 | 0529 | RONDELLE 14 X 28 X 1 | RONDELLE 14 X 28 X 1 | ARANDELLA 14 X 28 X 1 |
| 7 | 0208 | 0208 | RESSORT RAPPEL SELECTEUR END | RESSORT RAPPEL SELECTEUR END | MUELLE SELECTOR |
| 8 | 0209 | 0209 | DOUILLE RESSORT SELECTEUR END | DOUILLE RESSORT SELECTEUR END | CASQUILLO MUELLE SELECTOR END |
| 9 | 1018 | 1018 | AXE DE FOURCHETTE 100MM 250 END | AXE DE FOURCHETTE 100MM 250 END | EJE HORQUILLA 100MM 250 END |
| 10 | 1017 | 1017 | FOURCHETTE 1/3 250 END | FOURCHETTE 1/3 250 END | HORQUILLA 1/3 250 END |
| 11 | 1013 | 1013 | BARILLET DE SELECTION 250 END | BARILLET DE SELECTION 250 END | DESMODRONICO SELECTOR 250 END |
| 12 | 1022 | 1022 | RESSORT EPINGLE DE DOIGT 250 END | RESSORT EPINGLE DE DOIGT 250 END | MUELLE BOOMERANG 250 END |
| 13 | 5138 | 5138 | DOIGT DE VEROUILLAGE COMPLET 250 END EVO | DOIGT DE VEROUILLAGE COMPLET 250 END EVO | PALANCA CIERRE SELECTOR 250 END EVO |
| 14 | 0215 | 0215 | ENTRETOISE DE VEROUILLAGE 450 END | ENTRETOISE DE VEROUILLAGE 450 END | CASQUILLO GUIA LEVA 450 END |
| 15 | 0548 | 0548 | VIS TH EP 6 X 35 | VIS TH EP 6 X 35 | TORNILLO TH EP 6 X 35 |
| 17 | 0868 | 0868 | ROULEMENT 61905 DE BARILLET 250 END | ROULEMENT 61905 DE BARILLET 250 END | RODAMIENTO 61905 DE TAMBOR 250 END |
| 18 | 0101 | 0101 | AIGUILLE NRB X 3 X 11.8 | AIGUILLE NRB X 3 X 11.8 | AGUJAS X 3 X 11.8 |
| 19 | 1015 | 1015 | ROULEAU FOUCHETTE 250 END | ROULEAU FOUCHETTE 250 END | ANILLO HORQUILLA 250 END |
| 21 | 0546 | 0546 | VIS TH EP 6 X 20 | VIS TH EP 6 X 20 | TORNILLO TH EP 6 X 20 |
| 22 | 0527 | 0527 | DOUILLE AIGUILLE HK 1412 | DOUILLE AIGUILLE HK 1412 | CASQUILLO AGUJAS HK14 12 |
| 23 | 0660 | 0660 | JOINT LEVRE DOUBLE 14X24X6 NITRILE L METAL | JOINT LEVRE DOUBLE 14X24X6 NITRILE L METAL | RETEN 14X24X6 NITRILE DOUBLE L METAL |
| 24 | 0746 | 0746 | RONDELLE AET 6 | RONDELLE AET 6 | ARANDELA AET6 |
| 25 | 0872 | 0872 | VIS FHC M5 X 10 250 END DIN 7991 | VIS FHC M5 X 10 250 END DIN 7991 | TORNILLO FHC M5 X10 250 END |
| 26 | M253 | M253 | VIS CHC 6 X 30 0084 | VIS CHC 6 X 30 0084 | TORNILLO 6 X 30 DIN 912 |
| 30 | 5137 | 5137 | ETOILE DE SELECTION 250 END 4T EVO | ETOILE DE SELECTION 250 END 4T EVO | ESTRELLA SELECTOR 250 END 4T EVO |

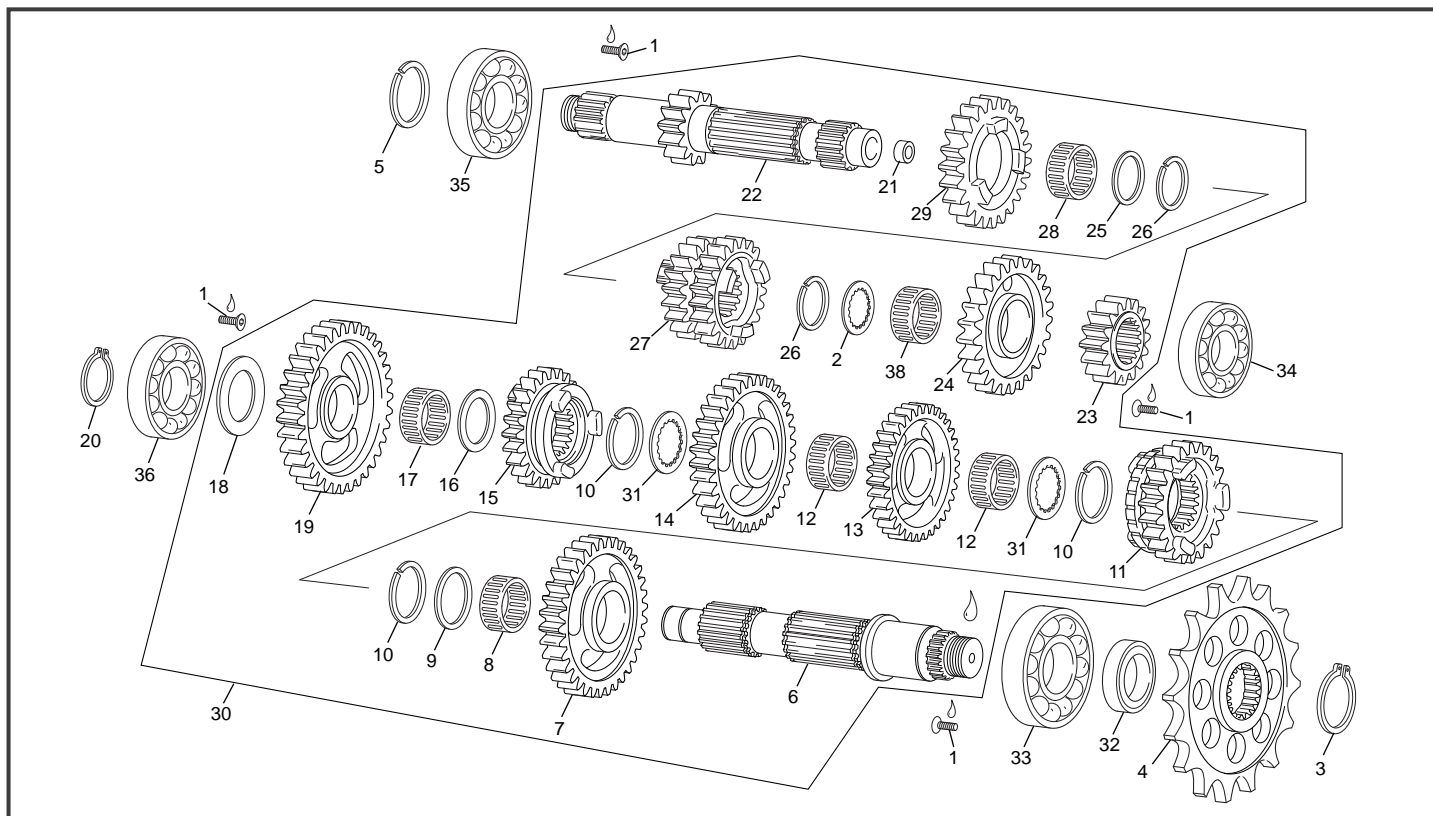
Boîte de vitesses Gear set / Cambio



| POS. | 250 SEF-F | 300 SEF-F | FRANÇAIS | ENGLISH | ESPAÑOL |
|------|-----------|-----------|---|--|--|
| 1 | 0872 | 0872 | VIS FHC M5 X 10 DIN 7991 PRE IMPREGNEE FAIBLE | SCREW FHC M5 X 10 250 END PRE IMPREGNEE FAIBLE | TORNILLO FHC M5 X10 250 END PRE IMPREGNEE FAIBLE |
| 2 | 1794 | 1794 | RONDELLE 19.5X27.8X1 250 END | WASHER 19.5X27.8X1 | ARANDELLA CIGUENAL 19.5X27.8X1 250 END |
| 3 | 8491 | 8491 | CIRCLIPS AS 22 / E22 DIN | CIRCLIPS AS 22 / E22 DIN | CIRCLIPS AS 22 / E22 DIN |
| 4 | 8539 | 8539 | PIGNON DE CHAINE 13D "21 | CHAIN PIGNON 13T "21 | PIÑÓN CADENA 13D "21 |
| 5 | 8920 | 8920 | RONDELLE 32X35X0.5 | WASHER 32X35X0.5 | ARANDELA 32X35X0.5 |
| 5 | 8921 | 8921 | RONDELLE 32X35X0.4 | WASHER 32X35X0.4 | ARANDELA 32X35X0.4 |
| 5 | 8922 | 8922 | RONDELLE 32X35X0.3 | WASHER 32X35X0.3 | ARANDELA 32X35X0.3 |
| 5 | 8923 | 8923 | RONDELLE 32X35X0.2 | WASHER 32X35X0.2 | ARANDELA 32X35X0.2 |
| 5 | 8924 | 8924 | RONDELLE 32X35X0.1 | WASHER 32X35X0.1 | ARANDELA 32X35X0.1 |
| 6 | 8543 | 8543 | ARBRE SECONDAIRE SEF | SECONDARY SHAFT SEF | EJE SECUNDARIO SEF |
| 7 | 4181 | 4181 | PIGNON Z30 2EM | GEAR 2ND Z30 | PIÑÓN 2 Z30 |
| 8 | 1778 | 1778 | BAGUE A AIGUILLE 24X28X10 250 END | NEEDLE BEARING 24X28X10 250 END | CASQUILLO DE AGUJA 24X28X10 250 END |
| 9 | 1779 | 1779 | RONDELLE 24.2X32X1.5 250 END | SHAFT WASHER 24.2X32X1.5 250 END | ARANDELLA 24.2X32X1.5 250 END |
| 10 | 1780 | 1780 | CIRCLIP SW 23 | CIRCLIP SW 23 | CIRCLIP SW 23 |
| 11 | 1781 | 1781 | PIGNON 5 Z22 250 END | GEAR 5TH Z22 250 END | PINON 5 Z22 250 END |
| 12 | 1782 | 1782 | BAGUE A AIGUILLE K20X24X10 250 END | NEEDLE BEARING K 20X24X10 250 END | CASQUILLO DE AGUJA K20X24X10 250 END |
| 13 | 5062 | 5062 | PIGNON 4 Z26 250 END | GEAR 4TH Z26 250 END | PIÑÓN 4 Z26 250 END |
| 14 | 1785 | 1785 | PIGNON 3 Z28 250 END | GEAR 3TH Z28 250 END | PIÑÓN 3 Z28 250 END |
| 15 | 1784 | 1784 | PIGNON 5 Z24 250 END | GEAR 5TH Z24 250 END | PIÑÓN 5 Z24 250 END |
| 16 | 1787 | 1787 | RONDELLE 18.2X28X1.5 250 END | SHAFT WASHER 18.2X28X1.5 250 END | ARANDELLA 18.2X28X1.5 250 END |
| 17 | 3366 | 3366 | CAGE A AIGUILLE K18X22X10: | NEEDL BEARING K18X22X10: | COJINETE AGUJAS K18X22X10: |
| 18 | 1788 | 1788 | RONDELLE 17X28X1.5 250 END | SHAFT WASHER 17X28X1.5 250 END | ARANDELLA CIGUENAL 17X28X1.5 250 END |
| 19 | 4180 | 4180 | PIGNON 1 Z33 250 END | GEAR 1 Z33 250 END | PIÑÓN 1 Z33 250 END |
| 20 | M171 | M171 | SEGMENT ARRET DIAN 17 | RETAINING RING17 | SIGER DIAMETRO 17 |
| 21 | 1790 | 1790 | BAGUE BRONZE END 250 | SPACER BRONZE END 250 | CASQUILLO BRONZE END 250 |
| 22 | 4332 | 4332 | ARBRE PRIMAIRE 250 END EVO2 | AXLE MAIN 250 END EVO 2 | EJE PRIMARIO 250 END EVO2 |
| 23 | 4182 | 4182 | PIGNON 2 Z17 250 END | GEAR 1 Z17 250 END | PIÑÓN 1 Z17 250 END |
| 24 | 1793 | 1793 | PIGNON 6 Z25 250 END | GEAR 6 Z25 250 END | PIÑÓN 6 Z25 250 END |
| 25 | 1794 | 1794 | RONDELLE 19.5X27.8X1 250 END | WASHER 19.5X27.8X1 | ARANDELLA CIGUENAL 19.5X27.8X1 250 END |
| 26 | 1795 | 1795 | CIRCLIP SW 21 | CIRCLIP SW 21 | CIRCLIP SW 21 |
| 27 | 1796 | 1796 | PIGNON 3/4 Z19/21 250 END | GEAR 3/4 Z19/21 250 END | PIÑÓN 3/4 Z19/21 250 END |
| 28 | 1797 | 1797 | BAGUE A AIGUILLE 22X26X10 250 END | NEEDLE BEARING K22 250 END | CASQUILLO DE AGUJA 22X26X10 250 END |
| 29 | 5061 | 5061 | PIGNON 5 Z23 250 END | GEAR 5TH Z23 250 END | PIÑÓN 5 Z23 250 END |
| 30 | 8542 | 8542 | BOITE DE VITESSE COMPLETE SEF | COMPLETE GEAR SET SEF | CTO. CAMBIO SEF |
| 31 | 1799 | 1799 | RONDELLE 21.5X31X1 250 END | SHAFT WASHER 21.5X31X1 250 END | ARANDELLA 21.5X31X1 250 END |

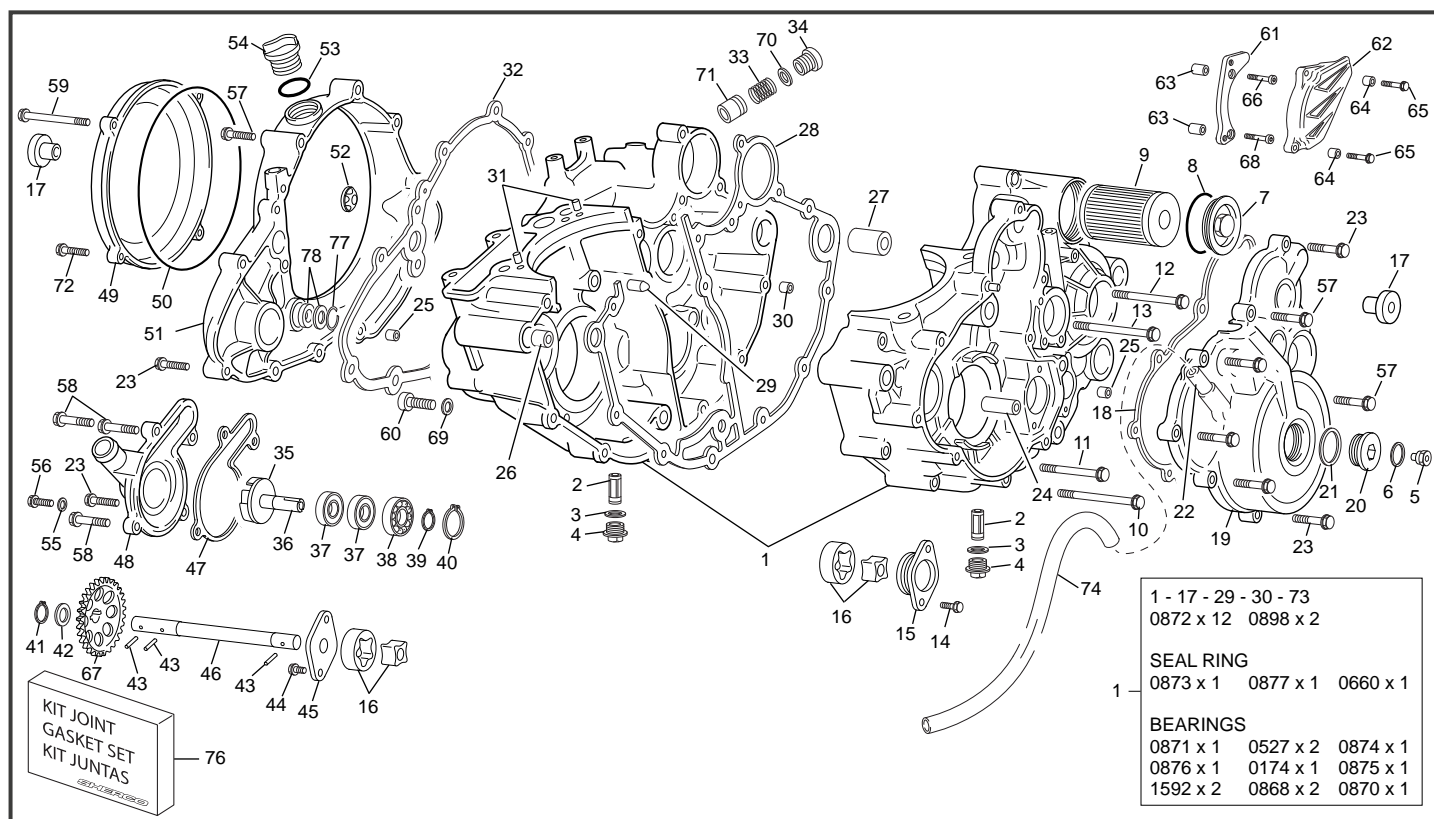
*Sherco se réserve les droits de modification des références, merci de contrôler sur le portail Sherconetwork avant toute commande. - *Sherco reserves the right to make change on the references, please check on your Sherconetwork portal before ordering.
*Sherco se reserva el derecho para hacer modificaciones sobre las referencias. Por favor, verifica en el Sherconetwork antes de hacer un pedido.

Boîte de vitesses Gear set / Cambio



| POS. | 250 SEF-F | 300 SEF-F | FRANÇAIS | ENGLISH | ESPAÑOL |
|------|-----------|-----------|------------------------------------|-----------------------------------|------------------------------------|
| 32 | 0877 | 0877 | JOINT LEVRE 25 X 37 X 6 DL 250 END | SEAL RING 25 X 37 X 6 DL 250 END | RETEN BOMBA 25 X 37 X 6 DL 250 END |
| 33 | 0174 | 0174 | ROULEMENT BILLE 6205 C3 | BEARING BALL 6205 C3 | COJINETE 6205 C3 |
| 34 | 0874 | 0874 | ROULEMENT 6003 2RSLTN9/C3VT162 | BALL BEARING 6003 2RSLTN9/C3VT162 | COJINETE 6003 2RSLTN9/C3VT162 |
| 35 | 0876 | 0876 | ROULEMENT 6222 250 END | BALL BEARING 6222 250 END | COJINETE 6222 250 END |
| 36 | 0874 | 0874 | ROULEMENT 6003 2RSLTN9/C3VT162 | BALL BEARING 6003 2RSLTN9/C3VT162 | COJINETE 6003 2RSLTN9/C3VT162 |
| 38 | 3366 | 3366 | CAGE A AIGUILLE K18X22X10: | NEEDL BEARING K18X22X10: | COJINETE AGUJAS K18X22X10: |

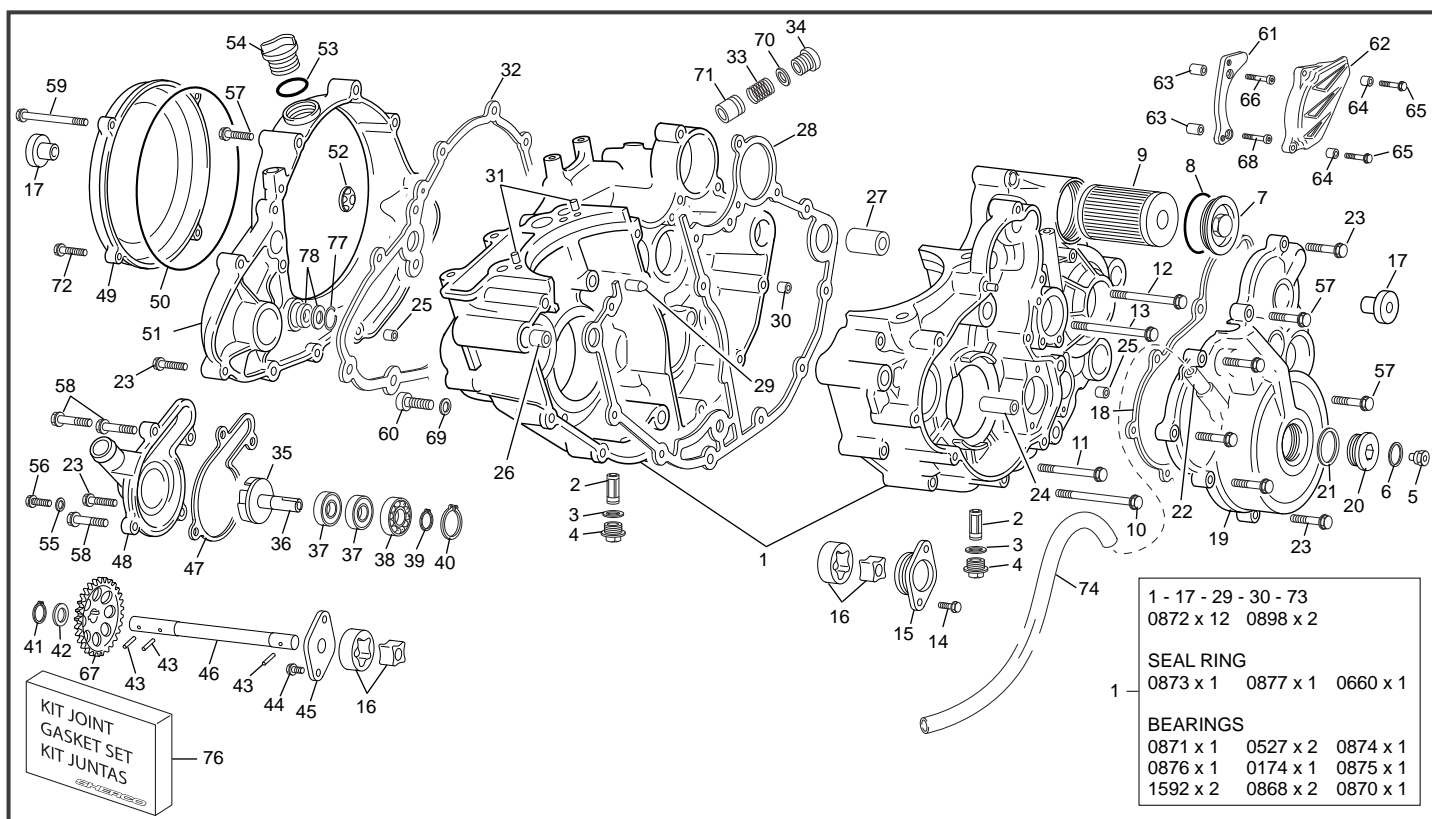
Groupe carters Crankcase assembly / Grupo carters



| POS. | 250 SEF-F | 300 SEF-F | FRAÇAIS | ENGLISH | ESPAÑOL |
|------|-----------|-----------|--|--------------------------------------|---|
| 1 | 8917 | 8917 | GRUPE CARTERS CENTRAUX SEF COMPLETS | CRANKCASE SET SEF PREASSEMBLY | JUEGO CARTERS CENTRALES SEF COMPLETO |
| 2 | 0508 | 0508 | PREFILTRE END 450 | PREFILTER END 450 | PREFILTRO END 450 |
| 3 | 0583 | 0583 | RONDELLE CUIVRE DIAM 18 X 22 X 1.5 | WASHER CU DIAM 18 X 22 X 1.5 | ARANDELA CU DIAM 18 X22 X 1.5 |
| 4 | 0507 | 0507 | BOUCHON 18 PREFILTRE END 450 | CAP 18 END 450 | TAPON 18 END 450 |
| 5 | 0510 | 0510 | BOUCHON 12 VIDANGE END 450 | CAP 12 END 450 | TAPON 12 END 450 |
| 6 | 0610 | 0610 | RONDELLE CUIVRE 12 X 18 X 1.5 END 450 | WASHER CU 12 X18 X 1.5 END 450 | ARANDELA CU 12 X 18 X 1.5 END 450 |
| 7 | 0117 | 0117 | COUVERCLE FILTRE HUILE END | OIL FILTER CUP END | TAPON FILTRO ACIETE END |
| 8 | 0118 | 0118 | JOINT TORIQUE 41 X 1.78 | O RING 41 X 1.78 | TORICA 41 X 1.78 |
| 9 | 0116 | 0116 | FILTRE A HUILE PAPIER END | OIL FILTER END | FILTRO ACIETE END |
| 10 | 0550 | 0550 | VIS TH EP 6 X 55 | SREW TH EP 6 X 55 | TORNILLO TH EP 6 X 55 |
| 11 | 0551 | 0551 | VIS TH EP 6 X 60 | SREW TH EP 6 X 60 | TORNILLO TH EP 6 X 60 |
| 12 | 0552 | 0552 | VIS TH EP 6 X 75 | SREW TH EP 6 X75 | TORNILLO TH EP 6 X 75 |
| 13 | 0550 | 0550 | VIS TH EP 6 X 55 | SREW TH EP 6 X 55 | TORNILLO TH EP 6 X 55 |
| 14 | 0553 | 0553 | VIS TH EP 5 X 12 | SREW TH EP 5 X 12 | TORNILLO TH EP 5 X 12 |
| 15 | 0947 | 0947 | COUVERCLE DE POMPE A HUILE 250 END | OIL PUMP COVER 250 END | TAPA BOMBA DE ACEITE 250 END |
| 16 | 0946 | 0946 | POMPE A HUILE COMPLETE 250 SEF | OIL PUMP SET 250 SEF | BOMBA DE ACEITE COMPLETA 250 SEF |
| 17 | 1106 | 1106 | BAGUE CARTER 450 510 | COLLAR BUSH | MANGUITO CARTER 450 510 |
| 18 | 0859 | 0859 | JOINT DE CARTER D ALLUMAGE 250 END | GASKET MAGNETO COVER 250 END | JUNTA CARTER ENCENDIDO |
| 19 | 4383 | 4383 | CARTER D ALLUMAGE SYN | IGNITION COVER SYN | CARTER INCENDIDO SYN |
| 20 | 6411 | 6411 | BOUCHON CARTER SEF M27X100 EVO | MAGNETIC SEF M27X100 EVO | TAPON TAPA SEF M27X100 EVO |
| 21 | M644 | M644 | JOINT TORIQUE 23 X 2.5 BOUCHON FILTRE HUILE TRIAL | O-RING 23 X 2.5 CAP OIL FILTER TRIAL | JUNTA TORICA 23 X 2 TAPON FILTRO ACIETE TRIAL |
| 22 | 1722 | 1722 | RENIFLARD CARTER CENTRAL END 250 | AIR VENT CRANKCASES END 250 | DEPRESSOR CARTERS END 250 |
| 23 | 0970 | 0970 | VIS TH EP 6 X 25 | SCREW TH EP M6 X 25 | TORNILLO TH EP M6 X 25 |
| 24 | 1580 | 1580 | AXE CENTRIFUGEUR 250 END | CENTRIFUGAL AXIS 250 END | EJE CENTRIFUGA 250 END |
| 25 | 0008 | 0008 | DOUILLES CENTRAGE 8X6X11 | SPACER CENTRAGE 8X6X11 | CENTRADOR 8X6X11 |
| 26 | 0006 | 0006 | DOUILLES CENT CARTERS CENT ANTERIEUR 14X11X16 | SPACER CRANK CASE FRONT 14X11X16 | CASQUILLO CARTER CENTAL DEL 14X11X16 |
| 27 | 0490 | 0490 | DOUILLE CENT CARTERS CENT POSTERIEURE 21.5X17.5X18 | SPACER CRANK CASE POST 21.5X17.5X18 | CASQUILLO CENTRADO CARTER POST 21.5X17.5X18 |
| 28 | 4599 | 4599 | JOINT DE CARTER CENTRAL 250/300 LC END | CRANKCASE GASKET 250/300 LS END | JUNTA CARTER CENTRAL 250/300 LC END |
| 29 | 0865 | 0865 | GICLEUR D HUILE DE PISTON 250 END | PISTON OIL JET 250 END | CHICLE PISTON 250 END |
| 30 | 0866 | 0866 | GICLEUR DE BOITE 0.6MM 250 END | GEARBOX JET OIL 0.6MM 250 END | CHICLE CAMBIO 0.6MM 250 END |
| 31 | 0864 | 0864 | AIGUILLE 5 X 10 250 END | NEEDLE 5 X 10 250 END | AGUJA 5 X 10 250 END |
| 32 | 0858 | 0858 | JOINT DE CARTER EMBRAYAGE 250 END | CLUTCH COVER GASKET 250 END | JUNTA CARTER EMBRAGE 250 END |
| 33 | 0950 | 0950 | RESSORT PISTON CLAPET DE DECHARGE 250 END | OIL VALVE SPRING 250 END | RESORTE 250 END |
| 34 | 0952 | 0952 | VIS DE CLAPET M 14 X 100 250 END | VIS M 14 X 100 DE CLAPET 250 END | VIS M 14 X 100 DE CLAPET 250 END |
| 35 | 6220 | 6220 | ROTOR DE POMPE A EAU 250/300 SEF EVO | WATER PUMP ROTOR 250/300 SEF EVO | ROTOR BOMBA AGUA 250/300 SEF EVO |

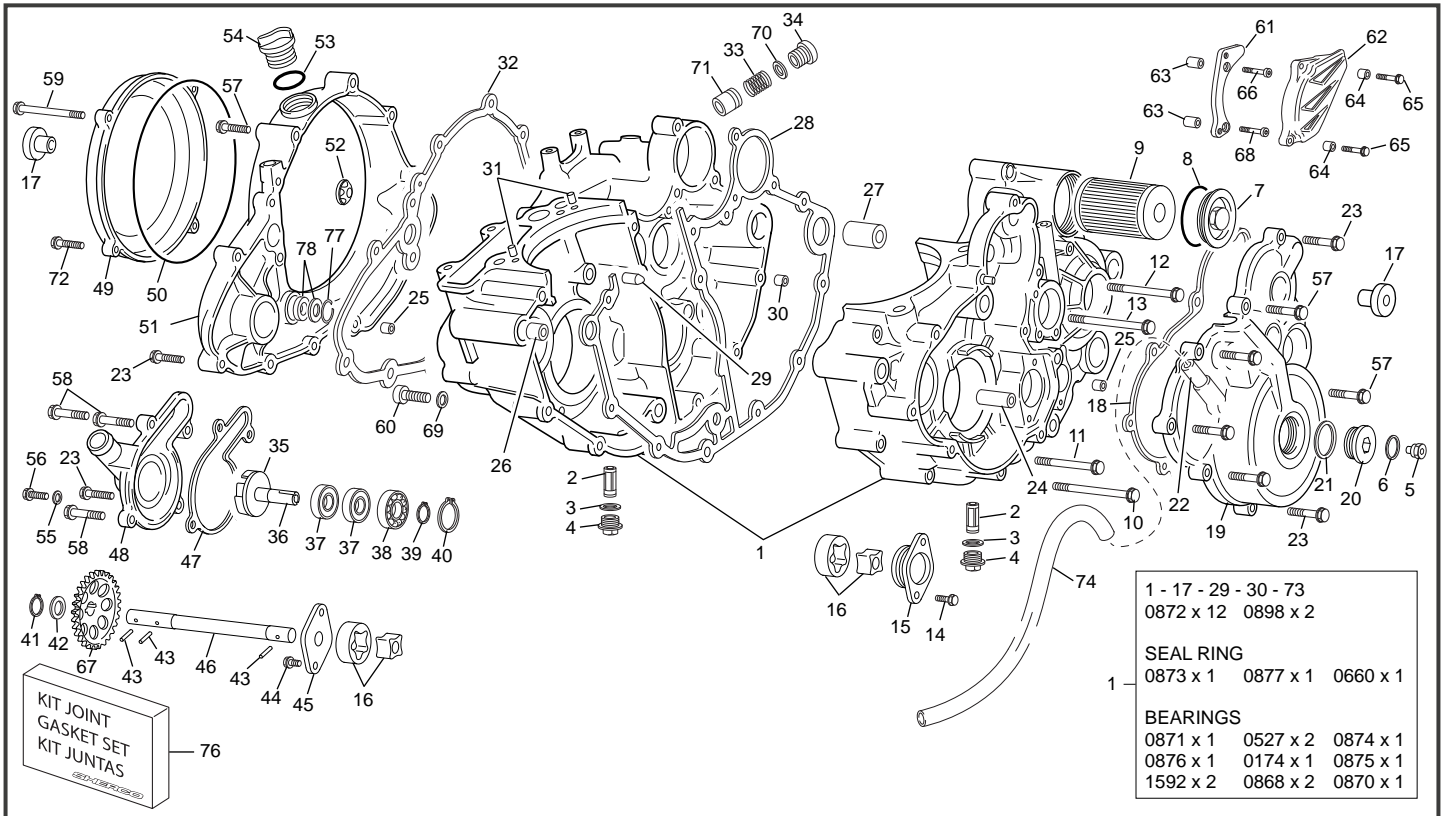
*Sherco se réserve les droits de modification des références, merci de contrôler sur le portail Sherconetwork avant toute commande. - *Sherco reserves the right to make change on the references, please check on your Sherconetwork portal before ordering.
*Sherco se reserva el derecho para hacer modificaciones sobre las referencias. Por favor, verifica en el Sherconetwork antes de hacer un pedido.

Groupe carter Crankcase assembly / Grupo carter



| POS. | 250 SEF-F | 300 SEF-F | FRAÇAIS | ENGLISH | ESPAÑOL |
|------|-----------|-----------|--|---|--|
| 36 | 8012 | 8012 | AXE POMPE A EAU 250/300 SEF EVO | WATER PUMP AXLE 250/300 SEF EVO | EJE BOMBA AGUA 250 250/300 SEF EVO |
| 37 | 6071 | 6071 | JOINT LEVRE 12 X 24 X 4.5 BAL PRESSION | SEAL RING 12 X 24 X 4.5 BAL PRESSION | RETen 12 X 24 X 4.5 BAL PRESSION |
| 38 | 0939 | 0939 | ROULEMENT 16100 250 END | BALL BEARING 16100 250 END | COJINETE 16100 250 END |
| 39 | 0096 | 0096 | CIRCLIPS DIAM 10X1 E 10 | RETAINING RING 10X1 E 10 | SEGER 10X1 E 10 |
| 40 | 0942 | 0942 | CIRCLIPS B28 DIN472 250 END | CIRCLIPS B28 DIN 472 250 END | CIRCLIP B28 DIN 472 250 END |
| 41 | 0080 | 0080 | SEGMENT D' ARRET E 8 | REATAINING RING E 8 | SEGER E 8 |
| 42 | 0955 | 0955 | RONDELLE CALAGE 8 X 12 X 1 250 END | ADJUST WASHER 8 X 12 X 1 250 END | ARANDELA REGLAGE 8 X 12 X 1 250 END |
| 43 | 0954 | 0954 | AIGUILLE 2.5 X 11.8 250 END | NEEDLE 2.5 X 11.8 250 END | ABUJA 2.5 X 11.8 250 END |
| 44 | 0553 | 0553 | VIS TH EP 5 X 12 | SREW TH EP 5 X 12 | TORNILLO TH EP 5 X 12 |
| 45 | 0948 | 0948 | CLOISON DE POMPE 250 END | PUMP COVER 250 END | TAPA BOMBA 250 END |
| 46 | 0945 | 0945 | AXE DE POMPE A HUILE 250 END | PUMPSHAFT 250 END | EJE BOMBA DE ACEITE 250 END |
| 47 | 0937 | 0937 | JOINT CARTER POMPE A EAU 250 END | WATER SEAL RING 250 END | JUNTA DE BOMBA AGUA 250 END |
| 48 | 0938 | 0938 | COUVERCLE POMPE EAU 250 END | WATER PUMP COVER 250 END | TAPA BOMBA AGUA 250 END |
| 49 | 2378 | 2378 | COUVERCLE D' EMBRAYAGE INJECTE | INJECTED CLUTCH COVER | TAPA EMBRAGUE INYECTADA |
| 50 | 0989 | 0989 | JOINT DE COUVERCLE D' EMBRAYAGE 250 END | CLUTCH O-RING 250 END | JUNTA TAPA EMBRAGUE 250 END |
| 51 | 9951 | 9951 | CARTER D' EMBRAYAGE PALIER | CLUTCH CRANKCASE PALIER | CARTER EMBRAGUE PALIER |
| 52 | 0029 | 0029 | VOYANT NIVEAU HUILE (0X25X7,2) | OIL LEVEL GAUGE (0X25X7,2) | VISOR NIVEL ACEITE (0X25X7,2) |
| 53 | 0606 | 0606 | JOINT TORIQUE 19 X3 | O RING 19 X 3 | TORICA 19 X 3 |
| 54 | 0509 | 0509 | BOUCHON 24 HUILE 450 / 500 END | CAP 24 450 / 500 END | TAPON 24 450 / 500 END |
| 55 | 0601 | 0601 | RONDELLE ALU 6.5 X 11 X 1 END 450 | WASHER ALU 6.5 X 11 X 1 END 450 | ARENDELLA ALU 6.5 X 11 X 1 END 450 |
| 56 | 0592 | 0592 | VIS TH EP 6 X 8 | SCREW TH EP 6 X 8 | TORNILLO TH EP 6 X 8 |
| 57 | 0547 | 0547 | VIS TH EP 6 X 30 | SCREW TH EP 6 X 30 | TORNILLO TH EP 6 X 30 |
| 58 | 0548 | 0548 | VIS TH EP 6 X 35 | SCREW TH EP 6 X 35 | TORNILLO TH EP 6 X 35 |
| 59 | 0552 | 0552 | VIS TH EP 6 X 75 | SREW TH EP 6 X 75 | TORNILLO TH EP 6 X 75 |
| 60 | 0855 | 0855 | BOUCHON TSC/FOM 10 X 1 VILO 250 END | PLUG TSC/FOM 10 X 1 250 END WITHOUT EXTERNAL WASHER | TAPON TSC/FOM 10 X 1 250 END |
| 61 | 1588 | 1588 | PROTECTEUR PIGNON CHAINE 250 END | CASE PROTECTOR 250 END | PROTECTOR PINON CADENA 250 END |
| 62 | 0538 | 0538 | CARTER PIGNON SORTIE DE BOITE 450 / 500 END | PINION CHAIN COVER 450 / 500 END | CARTER PROTECTOR PINION CADENA 450 / 500 END |
| 63 | 1701 | 1701 | ENTRETOISE CARTER DE CHAINE 250 | SPACER CHAIN COVER | CASQUILLO TAPON CADENA |
| 64 | 0008 | 0008 | DOUILLES CENTRAGE 8X6X11 | SPACER CENTRAGE 8X6X11 | CENTRADOR 8X6X11 |
| 65 | 0656 | 0656 | VIS TH EP 6 X 16 | SREW TH EP 6 X 16 | TORNILLO TH EP 6 X 16 |
| 66 | 1720 | 1720 | VIS CHC 6 X 25 TETE BASSE ZI BLANC DIN 7984 8.8 | SCREW CHC 6 X 25 SP | TORNILLO CHC 6 X 25 TETE BASSE ZI |
| 67 | 7937 | 7937 | PIGNON INTERMEDIAIRE DE POMPE A HUILE Z30 LIGHT | PUMPGEAR Z30 250 END LIGHT | PINON INTERMEDIO BOMBA A ACEITE Z30 250 END LIGERO |
| 68 | 1721 | 1721 | VIS CHC 6 X 30 ZI BL DIN 7984 PRE IMPREGNEE FAIBLE | SCREW CHC 6 X 30 SP | TORNILLO CHC 6 X 30 TETE BASSE ZI |
| 69 | 1661 | 1661 | RONDELLE ALU 10 X 14 X 1.5 END 250 | WASHER ALU 10 X 14 X 1.5 END 250 | ARENDELLA ALU 10 X 14 X 1.5 END 250 |
| 70 | 0951 | 0951 | RONDELLE JOINT ALU 14 X 20 X 1.5 250 END | WASHER ALU 14 X 20 X 1.5 250 END | ARANDELA ALUMINIO 14 X 20 X 1.5 250 END |

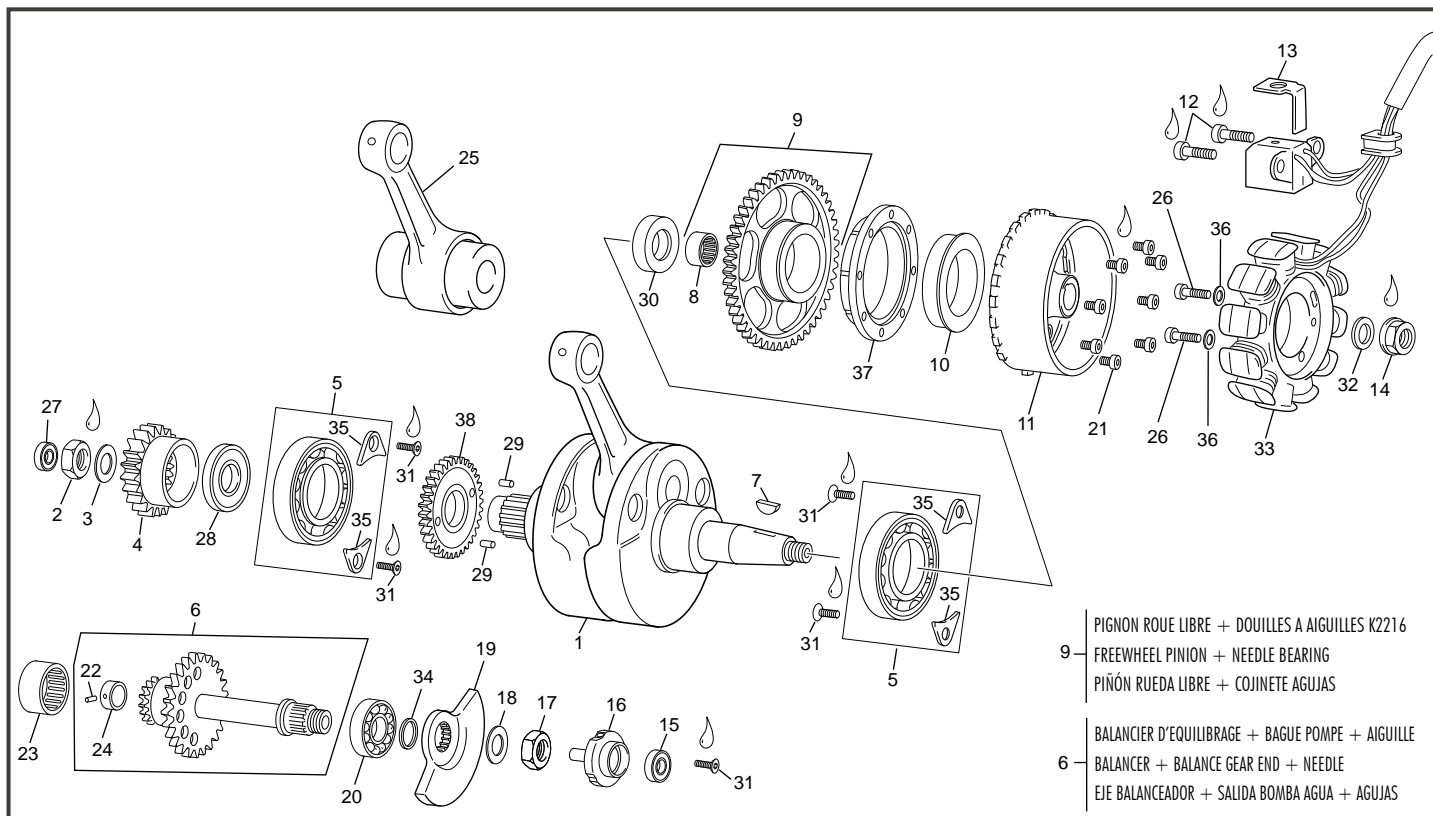
Groupe carters
Crankcase assembly / Grupo carters



| POS. | 250 SEF-F | 300 SEF-F | FRANÇAIS | ENGLISH | ESPAÑOL |
|------|-----------|-----------|---|--|---|
| 71 | 0949 | 0949 | PISTON CLAPET DE DECHARGE 250 END | OIL PISTON REGULATOR 250 END | PISTON CLAPET DE DECHARGE 250 END |
| 72 | 0546 | 0546 | VIS TH EP 6 X 20 | SREW TH EP 6 X 20 | TORNILLO TH EP 6 X 20 |
| 74 | 6133 | 6133 | DURITE RENIFLEUR BALANCIER POLYO END L0.985 | OIL BREATHING HOUSSEL BALANCE SHAFT L. 0.985 | TUBO VENTILACION POLYO L.0985 |
| 76 | 5109 | 5109 | KIT JOINT BAS MOTEUR 250/300 4T END | KIT GASKET BOTTOM ENGINE 250/300 4T END | KIT JUNTA MOTOR PARTE INFERIOR 250/300 4T END |
| 77 | 9218 | 9218 | CIRCLIPS DIN 472 I.18 | RETAINING RING DIN 472 I.18 | SEGER DIN 472 I.18 |
| 78 | 7541 | 7541 | JOINT SPI RENFORCE 8X18X6 | SEAL RING 25X38X7 | RETEN CIGUENAL 25X38X7 |

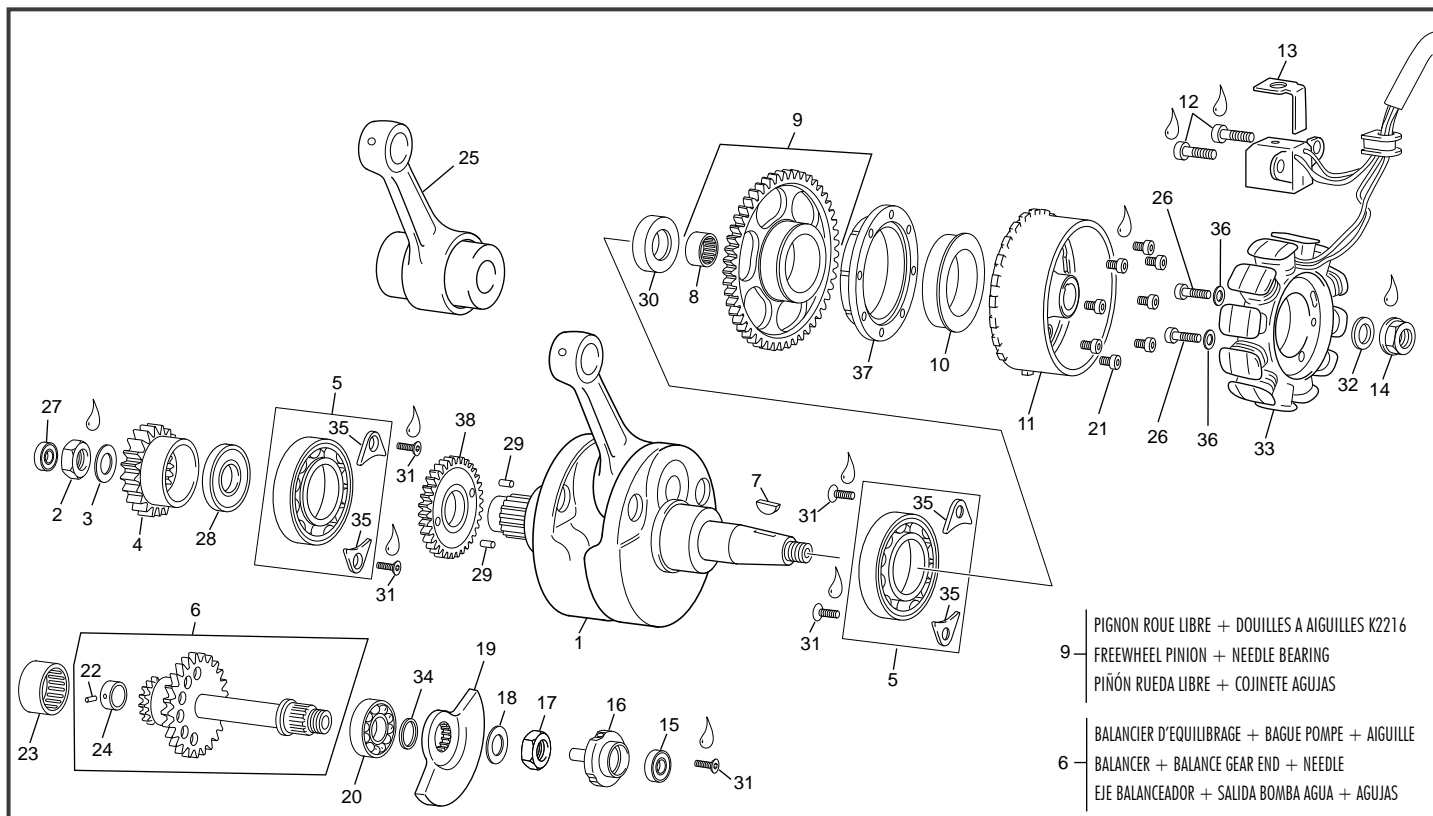
*Sherco se réserve les droits de modification des références, merci de contrôler sur le portail Sherconetwork avant toute commande. - *Sherco reserves the right to make change on the references, please check on your Sherconetwork portal before ordering.
*Sherco se reserva el derecho para hacer modificaciones sobre las referencias. Por favor, verifica en el Sherconetwork antes de hacer un pedido.

Vilebrequin assemble Crankshaft assembly / Cigüeñal biela

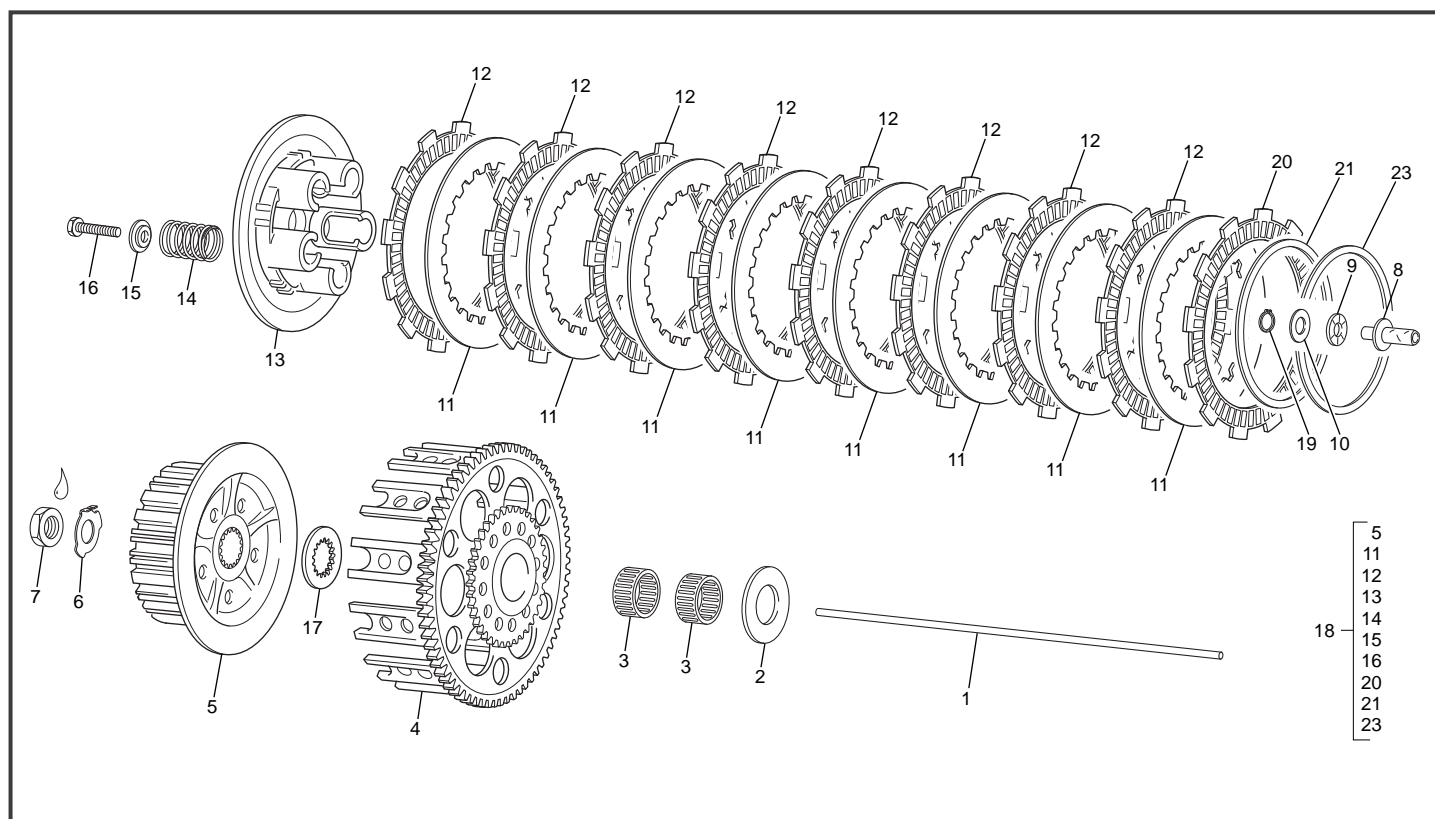


| POS. | 250 SEF-F | 300 SEF-F | FRANÇAIS | ENGLISH | ESPAÑOL |
|------|-----------|-----------|---|--|--|
| 1 | 7540 | 6962 | VILEBREQUIN ASSEMBLE PALIER | CRANKSHAFT ASSY PLAIN BEARING | CIGUENAL COMPLETO 250 END TENIENDO |
| 2 | 0051 | 0051 | ECROU SPECIAL M20 X 1 END 450 | SPECIAL SREW M20 X 1 END | TUERCA ESPECIAL M20 X 1 END |
| 3 | 0050 | 0050 | RONDELLE CONIQUE 20/21/32/1.2 BN1225 | WASHER CONIQUE 20/21/32/1.2 BN1225 | ARANDELA CONICA 20/21/32/1.2 BN1225 |
| 4 | 0976 | 0976 | PIGNON PRIMAIRE Z 21 250 END | PRIMARRAD Z21 250 END | PINON PRIMARIA Z21 250 END |
| 5 | 2950 | 2950 | ROULEMENT ROULEAUX NJ206 EPC/C3 HVA624 | ROLLER BEARING NJ206EPC/C3 HVA624 | COJINETE ROLO NJ206 EPC/C3 HVA624 |
| 6 | 7505 | 7505 | JEU PIGNON BALANCIER 250/300 SEF | BALANCE GEAR SET 250/300 SEF | JUEGO PIÑON EQUILIBRA Z34 250/300 SEF |
| 7 | 0055 | 0055 | CLAVETTE DEMI LUNE 3X5 13 DIN 6888 | WOODDURFF 3X5 13 DIN 6888 | CHAVETA MEDIA LUNA 3X5 13 DIN 6888 |
| 8 | 0290 | 0290 | DOUILLE AIGUILLE HK 2216 | NEEDLE BEARING HK 2216 | CASQUILLO AGUJAS HK 2216 |
| 9 | 7973 | 7973 | PIGNON ROUE LIBRE Z49 250 SEF LIGHT | STARTER GEAR Z49 SEF LIGHT | PIGNON POST MARCHA Z49 250 SEF LIGHT |
| 10 | 3925 | 3925 | ROUE LIBRE MCD70816R 250 END EVO | FREE WHEEL MCD70816R 250 END EVO | CORONA LIBRE MCD70816R 250 END EVO |
| 11 | 4667 | 4667 | ROTOR ALLUMAGE END 250/300 CC SEEC | ROTOR IGNITION END 250/300 CC SEEC | ROTOR ENCENDIDO END 250/300 CC SEEC |
| 12 | 2990 | 2990 | VIS CHC M5X12 ZI PRE IMPREGNEE FAIBLE | SCREW CHC M5X12 ZI | TORILLO CHC M5X12 ZI |
| 13 | 0964 | 0964 | PLAQUE MAINTIEN FAISCEAU ALLUMAGE | FIXATION HARNESS PLATE 250 END | PLACA FIJACION HAZ 250 END |
| 14 | 1405 | 1405 | ECROU SPECIAL M12 X 1 250/450 | NUT M12 X 1 250/450 | TUERCA M12 X 1 250/450 |
| 15 | 0660 | 0660 | JOINT LEVRE DOUBLE 14X24X6 NITRILE L METAL | SEAL 14X24X6 NITRILE DOUBLE L METAL | RETEN 14X24X6 NITRILE DOUBLE L METAL |
| 16 | 7025 | 7025 | CENTRIFUGEUR 250/300 SEF EVO | CENTRIFUGAL WHEEL 250/300 SEF EVO | RUEDA CENTRIFUGA 250/300 SEF EVO |
| 17 | 0861 | 0861 | ECROU M14/100 DE MASSE D EQUILIBRAGE 250 END | ECROU M14/100 DE MASSE D EQUILIBRAGE 250 END | TUERCA M14/100 DE MASSE D EQUILIBRAGE 250 END |
| 18 | 0887 | 0887 | RONDELLE CONIQUE 14.2 X 28 X 1.5 BN1225 250 END | WASHER 14.2 X 28 X 1.5 250 END | ARANDELA CONICA 14.2 X 28 X 1.5 BN1225 250 END |
| 19 | 0851 | 0851 | MASSE EQUILIBRAGE 250 END | BALANCE WEIGHT 250 END | MASA EQUILIBRA 250 END |
| 20 | 0875 | 0875 | ROULEMENT 6003-2RS1TN9/C3 | BALL BEARING 6003-2RS1TN9/C3 | COJINETE 6003-2RS1TN9/C3 |
| 21 | 0600 | 0600 | VIS CHC M5 X 8 10.9 Z N PRE IMPREGNEE MOYEN | SCREW CHC M5 X 8 10.9 ZN PRE IMPREGNEE MOYEN | TORNILLO M5 X 8 10.9 Z N DIN 912 PRE IMPREGNEE MOYEN |
| 22 | 0110 | 0110 | AIGUILLE 3X15.8 | NEEDL 3X15.8 | AGUJA 3X15.8 |
| 23 | 0871 | 0871 | BAGUE AIGUILLE R NA 2RS 4905 250 END | NEEDLE BEARING R NA 2RS 4905 250 END | CASQUILLO DE AGUJA R NA 2RS 4905 250 END |
| 24 | 0853 | 0853 | BAGUE ENTRAINEMENT POMPE A EAU 250 END | WATER PUMP RING 250 END | ANILLO BOMBA DE AGUA 250 END |
| 25 | 8919 | 8919 | KIT BIELLE PALIER | BIELLE BEARING SHELL | KIT BIELA-CIGÜENAL |
| 26 | 1029 | 1029 | VIS CHC M5 X 20 PRE IMPREGNEE MOYEN | SCREW M5 X 20 | TORNILLO M5 X 20 |
| 27 | 7541 | 7541 | JOINT SPI RENFORCE 8X18X6 | SEAL RING 25X38X7 | RETEN CIGUENAL 25X38X7 |
| 28 | 0873 | 0873 | JOINT LEVRE SC 36 X 54 X 7.5 250 END | SEAL RING SC 36 X 54 X 7.5 250 END | RETEN BOMBA 36 X 54 X 7.5 250 END |
| 29 | 0864 | 0864 | AIGUILLE 5 X 10 250 END | NEEDLE 5 X 10 250 END | AGUJA 5 X 10 250 END |
| 30 | 6221 | 6221 | ENTRETOISE ROUE LIBRE 250/300 SEF EVO | FREE WHEEL SPACER 250/300 SEF EVO | CASQUILLO RUEDA LIBRE 250/300 SEF EVO |
| 31 | 0872 | 0872 | VIS FHC M5 X 10 DIN 7991 PRE IMPREGNEE FAIBLE | SCREW FHC M5 X 10 250 END PRE IMPREGNEE FAIBLE | TORNILLO FHC M5 X 10 250 END PRE IMPREGNEE FAIBLE |
| 32 | 1963 | 1963 | RONDELLE CONIQUE 12.2 X 23 X 1 | WASHER CONIQUE 12.2 X 23 X 1 | ARANDELA CONIQUE 12.2 X 23 X 1 |
| 33 | 4668 | 4668 | STATOR ALLUMAGE 250/300/450 4ST | STATOR IGNITION 250/300/450 4ST | STATOR ENCENDIDO 250/300/450 4ST |
| 34 | 8541 | 8541 | RONDELLE CALAGE BALANCIER SEF "21 | ADJUST WASHER BALANCIER SEF "21 | ARANDELA 19X8.3X0.5 BALANCIER SEF "21 |
| 35 | 3942 | 3942 | PLAQUE ROULEMENT END 455 | BEARING PLATE END 455 | BLOQUEADOR RODAMIENTO END 455 |

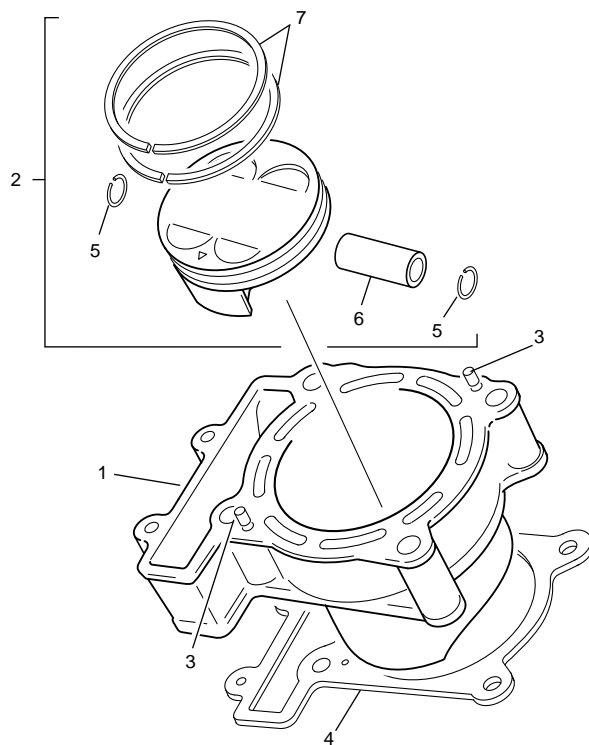
Vilebrequin assemble Crankshaft assembly / Cigüeñal biela



| POS. | 250 SEF-F | 300 SEF-F | FRANÇAIS | ENGLISH | ESPAÑOL |
|------|-----------|-----------|--|--------------------------------------|---|
| 36 | 4751 | 4751 | RONDELLE SCHNORR M5 ZI | RONDELLE SCHNORR M5 ZI | ARANDELA SCHNORR M5 ZI |
| 37 | 4382 | 4382 | CLOCHE DE ROUE LIBRE TSUBAKI END 250/300 | FREEWHEEL HOLDER TSUBAKI END 250/300 | CAMPANA RUEDA LIBRE TSUBAKI END 250/300 |
| 38 | 8642 | 8642 | PIGNON Z34 DE BALANCIER 250 SEF | BALANCE GEAR Z34 250 SEF | PIÑÓN EQUILIBRA Z34 250 SEF |

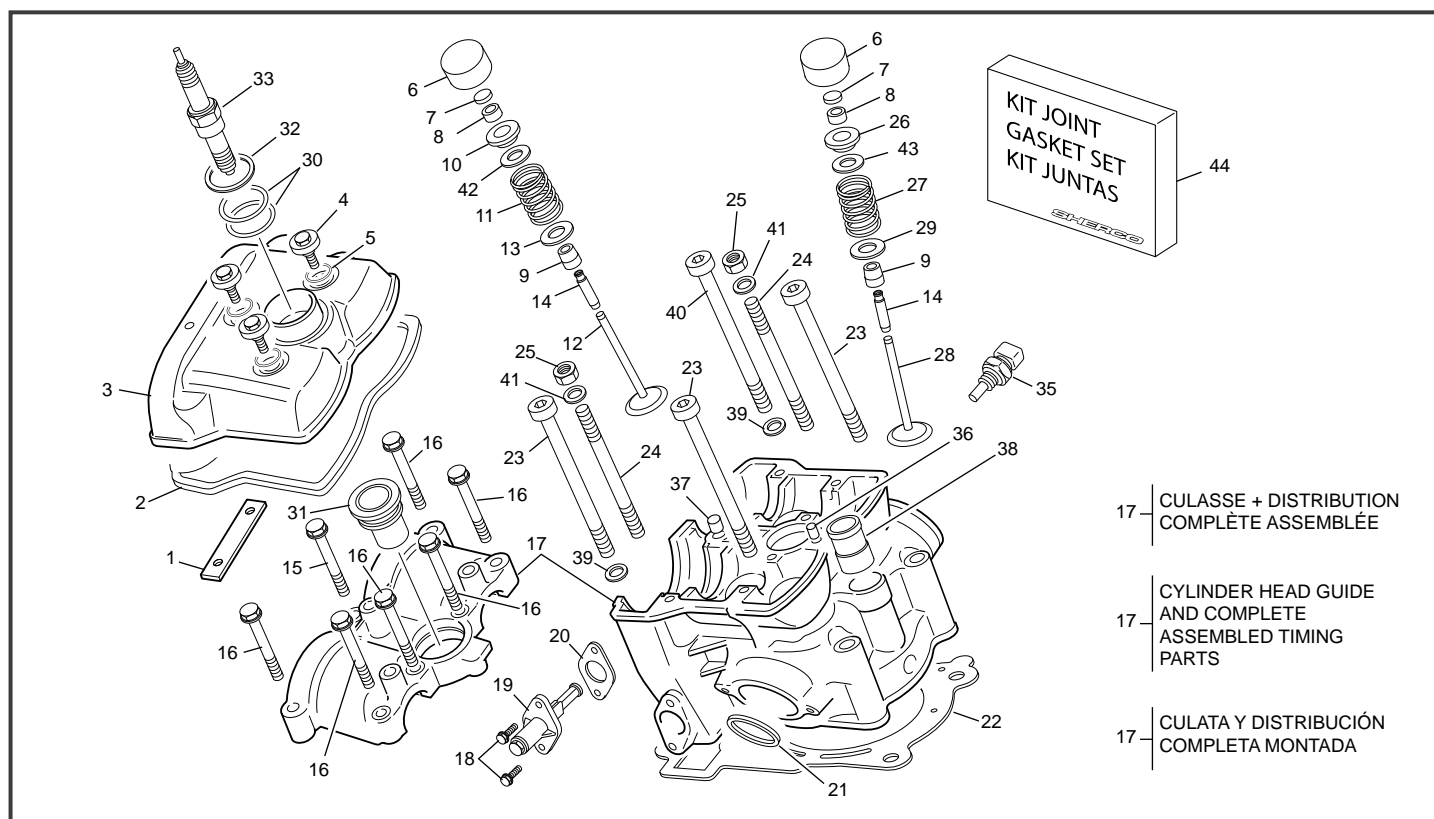


| POS. | 250 SEF-F | 300 SEF-F | FRANÇAIS | ENGLISH | ESPAÑOL |
|------|-----------|-----------|--|---------------------------------------|---|
| 1 | 0982 | 0982 | TIGE D EMBRAYAGE 250 END | CLUTCH AXEL 250 END | VARILLA EMBRAGUE 250 END |
| 2 | 0990 | 0990 | RONDELLE DE CALLAGE 22.2/40/1.4 | WASHER 22.2 X 40 X 1.4 | ARANDELA 22.2 X 40 X 1.4 |
| 3 | 0992 | 0992 | CAGE AIGUILLE 22X26X10 250 END | NEEDLE BEARING 22X26X10 250 END | COJINETE AGUJAS 22X26X10 250 END |
| 4 | 5669 | 5669 | CLOCHE D EMBRAYAGE RACING 250 END | CLUTCH OUTER ASSY Z48 250 END | CAMPANA EMBRAGUE PINON BOMBA ACEITE Z48 250 END |
| 5 | 3290 | 3290 | NOIX D EMBRAYAGE 250/300 END 2011 | BOSS CLUTCH 250 END 2011 | MAZA EMBRAGUE 250 END 2011 |
| 6 | 4876 | 4876 | RONDELLE FREIN EMBRAYAGE 250/300 4T | BRAKE CLUTCH WASHER 250/300 4T | ARANDELA FRENO EMBRAGUE 250/300 4T |
| 7 | 0994 | 0994 | ECROU M18 X 100 | NUT M18 X 100 | TUERCA M 18 X 100 |
| 8 | 0983 | 0983 | BUTEE EMBRAYAGE 250 END | CLUTCH RELEASE 250 END | PULSADOR AXIAL 250 END |
| 9 | 0997 | 0997 | BUTEE AIGUILLE AXK 821 250 END | NEEDLE THRUST BEARING AXK 821 250 END | CORONA COJINETE ABUJAS AXK 821 250 END |
| 10 | 0998 | 0998 | RONDELLE INA 8 X 21 X 1 | WASHER 8 X 21 X 1 | ARANDELA 8 X 21 X 1 |
| 11 | 0985 | 0985 | DISQUE METAL 250 END | PLATE CLUTCH 250 END | DISCO EMBRAGUE METALICO 250 END |
| 12 | 4923 | 4923 | DISQUE GARNI 250/300 END EVO | FRICTION CLUTCH DISK 250/300 END EVO | DISCO EMBRAGUE FORRADO 250/300 END EVO |
| 13 | 0987 | 0987 | PLATEAU PRESSION 250 END | PLATE PRESSURE 250 END | PLATO DE PRESION 250 END |
| 14 | 5096 | 5096 | RESSORT D` EMBRAYAGE 250/300 EVO END | CLUTCH SPRING 250/300 EVO END | MUELLE EMBRAGUE 250/300 EVO END |
| 15 | 3293 | 3293 | RONDELLE 6 SPECIALE | SPECIAL WASHER 6 | ARANDELLA 6 ESPECIAL |
| 16 | 0970 | 0970 | VIS TH EP 6 X 25 | SCREW TH EP M6 X 25 | TORNILLO TH EP M6 X 25 |
| 17 | 0991 | 0991 | RONDELLE BUTEE CRENELEE 250 END | SPACER WASHER 250 END | ARANDELA CRENELEE 250 END |
| 18 | 0854 | 0854 | EMBRAYAGE COMPLET 250 END | CLUTCH ASSY 250 END | EMBRAGUE COMPLETO 250 END |
| 19 | 0080 | 0080 | SEGMENT D` ARRET E 8 | RETAINING RING E 8 | SEGER E 8 |
| 20 | 3291 | 3291 | DISQUE GARNI SPECIAL 250/300 END | SPECIAL FRICTION CLUTCH DISK 250 END | DISCO EMBRAGUE FORRADO ESPECIAL 250 END |
| 21 | 3292 | 3292 | DISQUE METAL RESSORT 250/300 END | JUDDER SPRING 250/300 END | DISCO EMBRAGUE METALICO RESORTE 250/300 END |
| 23 | 3387 | 3387 | RONDELLE D APPUI POUR DISQUE RESSORT 250/300 END | SEAT, JUDDER SPRING 250/300 END | ARANDELA ASIENTO PARA DISCO MUELLE 250/300 END |



| POS. | 250 SEF-F | 300 SEF-F | FRANÇAIS | ENGLISH | ESPAÑOL |
|------|-----------|-----------|------------------------------------|-----------------------------------|-------------------------------------|
| 1 | 7546 | 6224 | CYLINDRE SEF EVO | CYLINDER SEF EVO | CILINDRO SEF EVO |
| 2 | 0845 | 5085 | PISTON COMPLET TAILLE A | PISTON SET SIZE A | PISTON JUEGO TAMAÑO A |
| 2 | 5100 | ---- | PISTON COMPLET 76 250 END CLASSE B | PISTON SET 76 END 250 END CLASS B | PISTON JUEGO 76 END 250 END TIPO B |
| 2 | ---- | 10008 | PISTON COMPLET 84 VIPER 300 SEF B | PISTON SET 84 VIPER END 300 SEF B | PISTON JUEGO 84 VIPER END 300 SEF B |
| 3 | 0864 | 0864 | AIGUILLE 5 X 10 250 END | NEEDLE 5 X 10 250 END | AGUJA 5 X 10 250 END |
| 4 | 3017 | 3017 | JOINT D EMBASE 0.3 250/300 SEF | CYLINDER GASKET 0.3 250/300 SEF | JUNTA CILINDRO 0.3 250/300 SEF |
| 4 | 4968 | 4968 | JOINT D EMBASE 0.4 250/300 END | CYLINDER GASKET 0.4 250/300 END | JUNTA CILINDRO 0.4 250/300 END |
| 5 | 0850 | 0850 | CIRCLIPS 16 MM 250 END | CIRCLIPS 16 MM 250 END | CIRCLIPS 16 MM 250 END |
| 6 | 7072 | 7072 | AXE DE PISTON 300 SEF EVO | PISTON PIN 300 SEF EVO | BULON PISTON 300 SEF EVO |
| 7 | 0848 | 8027 | SEGMENT PISTON 250 END JEU | OIL RING PISTON 250 END SET | ARO PISTON 250 END JUEGO |

Culasse Cylinder head / Culata



17 CULASSE + DISTRIBUTION
COMPLÈTE ASSEMBLÉE

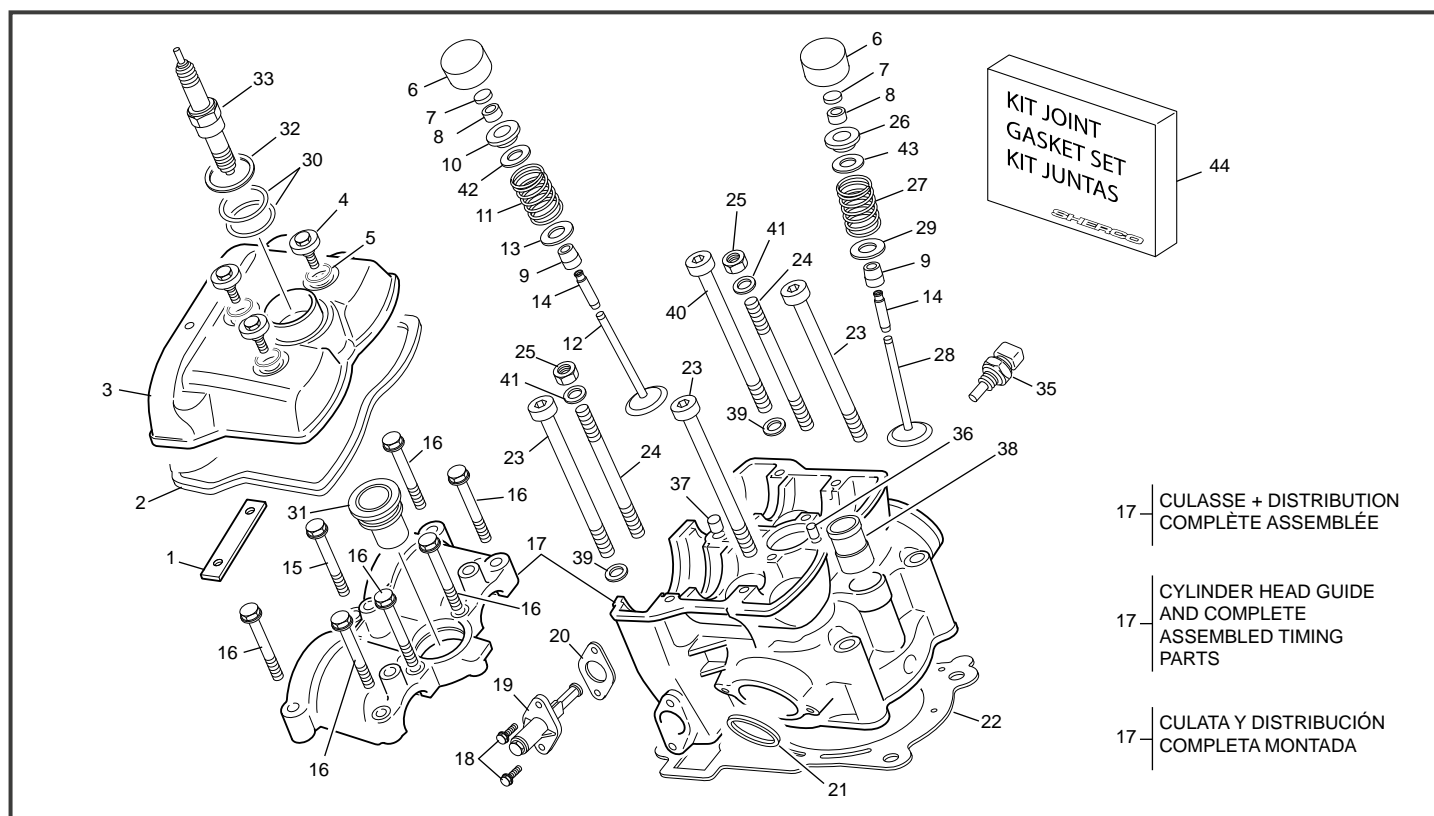
17 CYLINDER HEAD GUIDE
AND COMPLETE
ASSEMBLED TIMING
PARTS

17 CULATA Y DISTRIBUCIÓN
COMPLETA MONTADA

| POS. | 250 SEF-F | 300 SEF-F | FRANÇAIS | ENGLISH | ESPAÑOL |
|------|-----------|-----------|---|---------------------------------------|--|
| 1 | 1585 | 1585 | PATIN COUVRE CULASSE 250 END | GUIDE CYLIN.HEAD COVER 250 END | GUIA TAPON CULATA 250 END |
| 2 | 0902 | 0902 | COUVERCLE CULASSE 250 END MANGANESE | CYLINDER HEAD COVER 250 END MANGANESE | TAPA CULATA 250 END MANGANESE |
| 3 | 8191 | 8191 | COUVERCLE CULASSE 250 END | CYLINDER HEAD COVER 250 END | TAPA CULATA 250 END |
| 4 | 4758 | 4758 | VIS COUVRE CULASSE M6 X 10 250 END | SCREW TH EP M6 X 10 SPECIAL 250 END | TORNILLO TH EP M6 X 10 SPE. 250 END |
| 5 | 0900 | 0900 | JOINT TORIQUE 10.5X2.7 VIS COUVRE CULASSE 250 E | SCREW ROCKER ARM COVER O-RING 250 END | JUNTO DE TORNILLO TAPA BALANCING 250 END |
| 6 | 0910 | 0910 | POUSOIR DIAMETRE 24 250 END | TAPPETS D 24 250 END | BOTON D24 250 END |
| 7 | 3470 | 3470 | PASTILLE DE REGLAGE 1.25 SOUPAPE END 250 | ADJUSTING VALVE PADS 1.25 END 250 | PASTILLA REGLAJE 1.25 VALVULA END 250 |
| 7 | 3471 | 3471 | PASTILLE DE REGLAGE 1.30 SOUPAPE END 250 | ADJUSTING VALVE PADS 1.30 END 250 | PASTILLA REGLAJE 1.30 VALVULA END 250 |
| 7 | 3472 | 3472 | PASTILLE DE REGLAGE 1.35 SOUPAPE END 250 | ADJUSTING VALVE PADS 1.35 END 250 | PASTILLA REGLAJE 1.35 VALVULA END 250 |
| 7 | 3473 | 3473 | PASTILLE DE REGLAGE 1.40 SOUPAPE END 250 | ADJUSTING VALVE PADS 1.40 END 250 | PASTILLA REGLAJE 1.40 VALVULA END 250 |
| 7 | 3474 | 3474 | PASTILLE DE REGLAGE 1.45 SOUPAPE END 250 | ADJUSTING VALVE PADS 1.45 END 250 | PASTILLA REGLAJE 1.45 VALVULA END 250 |
| 7 | 1596 | 1596 | PASTILLE DE REGLAGE 1.50 SOUPAPE END 250 | ADJUSTING VALVE PADS 1.50 END 250 | PASTILLA REGLAJE 1.50 VALVULA END 250 |
| 7 | 1598 | 1598 | PASTILLE DE REGLAGE 1.54 SOUPAPE END 250 | ADJUSTING VALVE PADS 1.54 END 250 | PASTILLA REGLAJE 1.54 VALVULA END 250 |
| 7 | 1600 | 1600 | PASTILLE DE REGLAGE 1.58 SOUPAPE END 250 | ADJUSTING VALVE PADS 1.58 END 250 | PASTILLA REGLAJE 1.58 VALVULA END 250 |
| 7 | 1602 | 1602 | PASTILLE DE REGLAGE 1.62 SOUPAPE END 250 | ADJUSTING VALVE PADS 1.62 END 250 | PASTILLA REGLAJE 1.62 VALVULA END 250 |
| 7 | 1604 | 1604 | PASTILLE DE REGLAGE 1.66 SOUPAPE END 250 | ADJUSTING VALVE PADS 1.66 END 250 | PASTILLA REGLAJE 1.66 VALVULA END 250 |
| 7 | 1606 | 1606 | PASTILLE DE REGLAGE 1.70 SOUPAPE END 250 | ADJUSTING VALVE PADS 1.70 END 250 | PASTILLA REGLAJE 1.70 VALVULA END 250 |
| 7 | 1608 | 1608 | PASTILLE DE REGLAGE 1.74 SOUPAPE END 250 | ADJUSTING VALVE PADS 1.74 END 250 | PASTILLA REGLAJE 1.74 VALVULA END 250 |
| 7 | 1610 | 1610 | PASTILLE DE REGLAGE 1.78 SOUPAPE END 250 | ADJUSTING VALVE PADS 1.78 END 250 | PASTILLA REGLAJE 1.78 VALVULA END 250 |
| 7 | 1612 | 1612 | PASTILLE DE REGLAGE 1.82 SOUPAPE END 250 | ADJUSTING VALVE PADS 1.82 END 250 | PASTILLA REGLAJE 1.82 VALVULA END 250 |
| 7 | 1614 | 1614 | PASTILLE DE REGLAGE 1.86 SOUPAPE END 250 | ADJUSTING VALVE PADS 1.86 END 250 | PASTILLA REGLAJE 1.86 VALVULA END 250 |
| 7 | 1616 | 1616 | PASTILLE DE REGLAGE 1.90 SOUPAPE END 250 | ADJUSTING VALVE PADS 1.90 END 250 | PASTILLA REGLAJE 1.90 VALVULA END 250 |
| 7 | 1618 | 1618 | PASTILLE DE REGLAGE 1.94 SOUPAPE END 250 | ADJUSTING VALVE PADS 1.94 END 250 | PASTILLA REGLAJE 1.94 VALVULA END 250 |
| 7 | 1620 | 1620 | PASTILLE DE REGLAGE 1.98 SOUPAPE END 250 | ADJUSTING VALVE PADS 1.98 END 250 | PASTILLA REGLAJE 1.98 VALVULA END 250 |
| 7 | 1622 | 1622 | PASTILLE DE REGLAGE 2.02 SOUPAPE END 250 | ADJUSTING VALVE PADS 2.02 END 250 | PASTILLA REGLAJE 2.02 VALVULA END 250 |
| 7 | 1624 | 1624 | PASTILLE DE REGLAGE 2.06 SOUPAPE END 250 | ADJUSTING VALVE PADS 2.06 END 250 | PASTILLA REGLAJE 2.06 VALVULA END 250 |
| 7 | 1626 | 1626 | PASTILLE DE REGLAGE 2.10 SOUPAPE END 250 | ADJUSTING VALVE PADS 2.10 END 250 | PASTILLA REGLAJE 2.10 VALVULA END 250 |
| 7 | 1628 | 1628 | PASTILLE DE REGLAGE 2.14 SOUPAPE END 250 | ADJUSTING VALVE PADS 2.14 END 250 | PASTILLA REGLAJE 2.14 VALVULA END 250 |
| 7 | 1630 | 1630 | PASTILLE DE REGLAGE 2.18 SOUPAPE END 250 | ADJUSTING VALVE PADS 2.18 END 250 | PASTILLA REGLAJE 2.18 VALVULA END 250 |
| 7 | 1632 | 1632 | PASTILLE DE REGLAGE 2.22 SOUPAPE END 250 | ADJUSTING VALVE PADS 2.22 END 250 | PASTILLA REGLAJE 2.22 VALVULA END 250 |
| 7 | 1634 | 1634 | PASTILLE DE REGLAGE 2.26 SOUPAPE END 250 | ADJUSTING VALVE PADS 2.26 END 250 | PASTILLA REGLAJE 2.26 VALVULA END 250 |
| 7 | 1636 | 1636 | PASTILLE DE REGLAGE 2.30 SOUPAPE END 250 | ADJUSTING VALVE PADS 2.30 END 250 | PASTILLA REGLAJE 2.30 VALVULA END 250 |
| 7 | 1638 | 1638 | PASTILLE DE REGLAGE 2.34 SOUPAPE END 250 | ADJUSTING VALVE PADS 2.34 END 250 | PASTILLA REGLAJE 2.34 VALVULA END 250 |
| 7 | 1640 | 1640 | PASTILLE DE REGLAGE 2.38 SOUPAPE END 250 | ADJUSTING VALVE PADS 2.38 END 250 | PASTILLA REGLAJE 2.38 VALVULA END 250 |
| 7 | 1641 | 1641 | PASTILLE DE REGLAGE 2.40 SOUPAPE END 250 | ADJUSTING VALVE PADS 2.40 END 250 | PASTILLA REGLAJE 2.40 VALVULA END 250 |

*Sherco se réserve les droits de modification des références, merci de contrôler sur le portail Sherconetwork avant toute commande. - *Sherco reserves the right to make change on the references, please check on your Sherconetwork portal before ordering.
*Sherco se reserva el derecho para hacer modificaciones sobre las referencias. Por favor, verifica en el Sherconetwork antes de hacer un pedido.

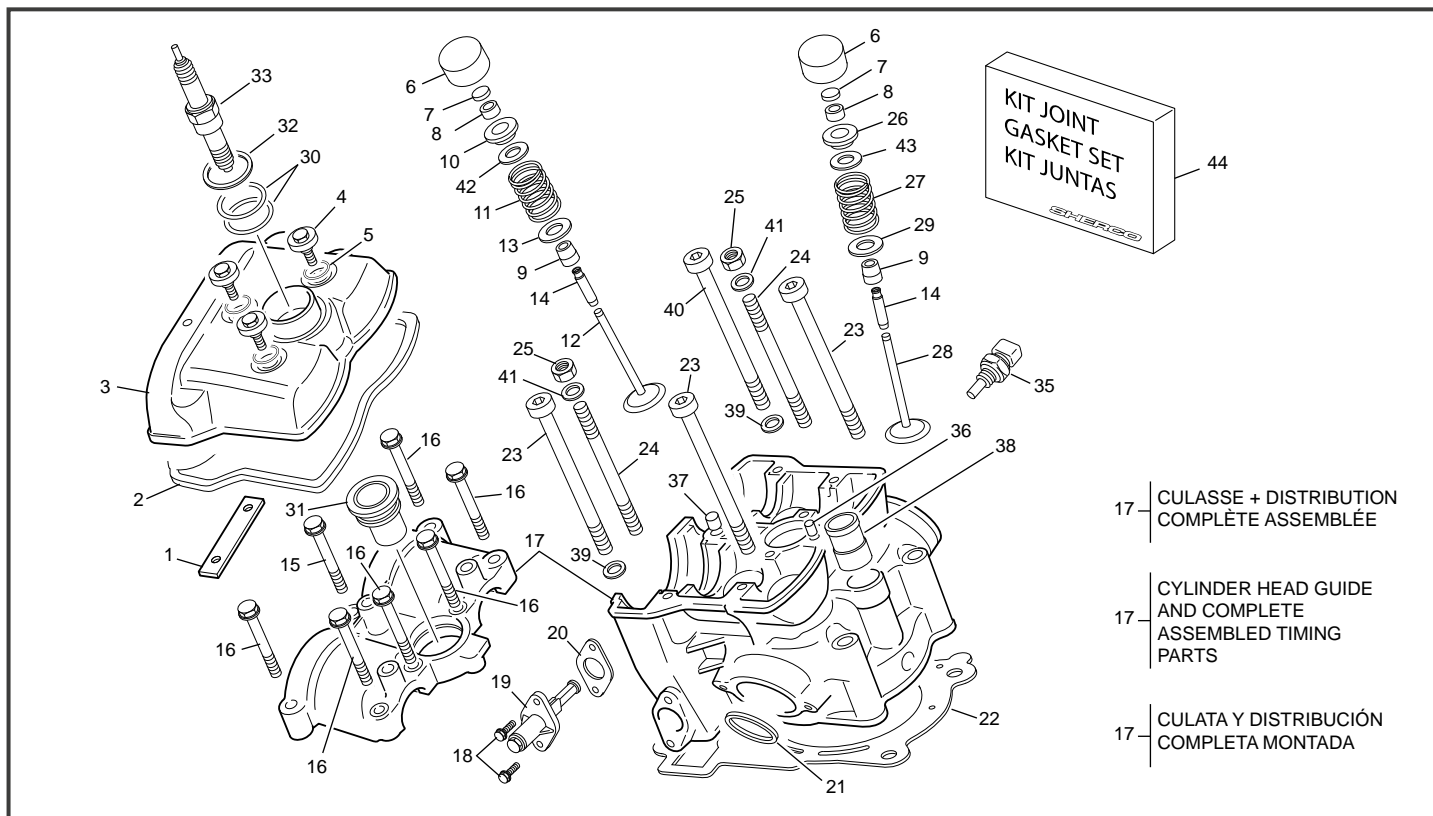
Culasse Cylinder head / Culata



| POS. | 250 SEF-F | 300 SEF-F | FRANÇAIS | ENGLISH | ESPAÑOL |
|------|-----------|-----------|--|--|--|
| 7 | 1643 | 1643 | PASTILLE DE REGLAGE 2.44 SOUPAPE END 250 | ADJUSTING VALVE PADS 2.44 END 250 | PASTILLA REGLAJE 2.44 VALVULA END 250 |
| 7 | 1645 | 1645 | PASTILLE DE REGLAGE 2.48 SOUPAPE END 250 | ADJUSTING VALVE PADS 2.48 END 250 | PASTILLA REGLAJE 2.48 VALVULA END 250 |
| 7 | 1647 | 1647 | PASTILLE DE REGLAGE 2.52 SOUPAPE END 250 | ADJUSTING VALVE PADS 2.52 END 250 | PASTILLA REGLAJE 2.52 VALVULA END 250 |
| 7 | 1649 | 1649 | PASTILLE DE REGLAGE 2.56 SOUPAPE END 250 | ADJUSTING VALVE PADS 2.56 END 250 | PASTILLA REGLAJE 2.56 VALVULA END 250 |
| 7 | 1650 | 1650 | PASTILLE DE REGLAGE 2.58 SOUPAPE END 250 | ADJUSTING VALVE PADS 2.58 END 250 | PASTILLA REGLAJE 2.58 VALVULA END 250 |
| 7 | 0911 | 0911 | PASTILLE DE REGLAGE 2.60 250 END | VALVE SHIM 2.60 250 END | PASTILLAS REGLAJE VALVULA 2.60 END 250 |
| 7 | 3469 | 3469 | PASTILLE DE REGLAGE 1.20 SOUPAPE END 250 | ADJUSTING VALVE PADS 1.20 END 250 | PASTILLA REGLAJE 1.20 VALVULA END 250 |
| 8 | 0930 | 0930 | DEMI CONE SOUPAPE END 250 UNITEE | HALF CONE VALVE END 250 UNITS | SEMICONO VALVULA END 250 UNIDAD |
| 9 | 0934 | 0934 | JOINT DE SOUPAPE 250 END | VALVES SEAL 250 END | RETEN VALVULA 250 END |
| 10 | 3370 | 3370 | COUPELLE RESSORT ECHAPPEMENT 2.5 / 3.0 END EVO | EXHAUST VALVE SPRING CAP 2.5 / 3.0 END EVO | ESCAPE SMBRERETE VALVULA 2.5 / 3.0 END EVO |
| 11 | 3368 | 3368 | RESSORT SOUPAPES ECHAPPEMENT 250 END | EXHAUST VALVE SPRING SK 14-06-0243 | MUELLE VALVULA ESCAPE SK 14-06-0243 |
| 12 | 5584 | 5584 | SOUPAPE ECHAPPEMENT 250/300 SEF 26 MM | EXHAUST VALVES 250/ 300 SEF 26 MM | VALVULA ESCAPE 250/300 SEF 26 MM |
| 13 | 1518 | 1518 | SIEGE DE RESSORT ECHAPPEMENT 250 END | EXHAUST SPRINGSEAT 250 END | ARANDELLA MUELE VALVULA ESCAPE 250 END |
| 14 | 1813 | 1813 | GUIDE SOUPAPE | VALVE GUIDE | GUIA VALVULA |
| 15 | 0548 | 0548 | VIS TH EP 6 X 35 | SCREW TH EP 6 X 35 | TORNILLO TH EP 6 X35 |
| 16 | 0547 | 0547 | VIS TH EP 6 X 30 | SCREW TH EP 6 X 30 | TORNILLO TH EP 6 X 30 |
| 17 | 8083 | 8084 | CULASSE 250 SEF 2019 SAV | HEAD CYLINDER 250 SEF 2019 SPARE PART | CULATA 250 SEF 2019 REPUESTOS |
| 18 | 0656 | 0656 | VIS TH EP 6 X 16 | SREW TH EP 6 X 16 | TORNILLO TH EP 6 X 16 |
| 19 | 0921 | 0921 | TENDEUR DE CHAINE 250 END | CHAIN TENSIONER 250 END | TENSOR DE CADENA 250 END |
| 20 | 0922 | 0922 | JOINT DE TENDEUR 250 END | TENSIONER GASKET 250 END | JUNTO TENSOR 250 END |
| 21 | 1766 | 1766 | JOINT ECHAPPEMENT END 250 | EXHAUST GASKET END 250 | JUNTA ESCAPE END 250 |
| 22 | 3114 | 3016 | JOINT DE CULASSE 3 FEUILLES 250 END 78 MM | CYLINDER HEAD GASKET 3 LAYER 250 END 78 MM | JUNTA CULATA 250 END EVO 78 MM |
| 23 | 0896 | 0896 | VIS M10 X 115 250 END | SCREW M10 X 115 250 END | TORNILLO M10 X 115 250 END |
| 24 | 7951 | 0898 | GOUJON CYLINDRE 250 SEF L80.5 | CYLINDER PIN 250 END L 80.5 | CILINDRO TORNILLO 250 END L 80.5 |
| 25 | C440 | C440 | ECROU BORGNE M6 | SCREW BORGNE M6 | TUERCA BORGNE M6 |
| 26 | 0929 | 0929 | COUPELLE RESSORT ADMISSION 250 END | INTAKE VALVE SPRING CAP 250 END | ADMISION SMBRERETE VALVULA 250 END |
| 27 | 0931 | 0931 | RESSORT SOUPAPES ADMISSION 250 END | INTAKE SPRING VALVES 250 END | MUELLE VALVULA ADMISION 250 END |
| 28 | 5586 | 5586 | SOUPAPE ADMISSION 250 END 31MM | INTAKE VALVES 250 END 31 MM | VALVULA ADMISION 250 END 31 MM |
| 29 | 0933 | 0933 | SIEGE DE RESSORT ADMISSION 250 END | INTAKE SPRINGSEAT 250 END | ARANDELLA MUELE VALVULA 250 END |
| 30 | 0969 | 0969 | JOINT TORIQUE 28 X 2 NBR 250 END | O-RING 28 X 2 NBR 250 END | ANILLO O 28 X 2 NBR 250 END |
| 31 | 0895 | 0895 | TUBE PUIITS DE BOUGIE 250 END | SPARK PLUG TUBE 250 END | TUBO DE BUJIA 250 END |
| 32 | 0899 | 0899 | JOINT DE PUIITS DE BOUGIE 250 END | SPARK PLUG TUBE O-RING 250 END | JUNTO TUBO BUJIA 250 END |
| 33 | 0431 | 0431 | BOUGIE CR8EK/U24ETR END 450 | SPARK PLUG CR8EK/U24ETR END 450 | BUJIA NGK CR8EK/U24ETR END 450 |
| 35 | 0380 | 0380 | CAPTEUR EAU END | SENSOR WATER END | SENSOR AGUA END |
| 36 | 0864 | 0864 | AIGUILLE 5 X 10 250 END | NEEDLE 5 X 10 250 END | AGUJA 5 X 10 250 END |

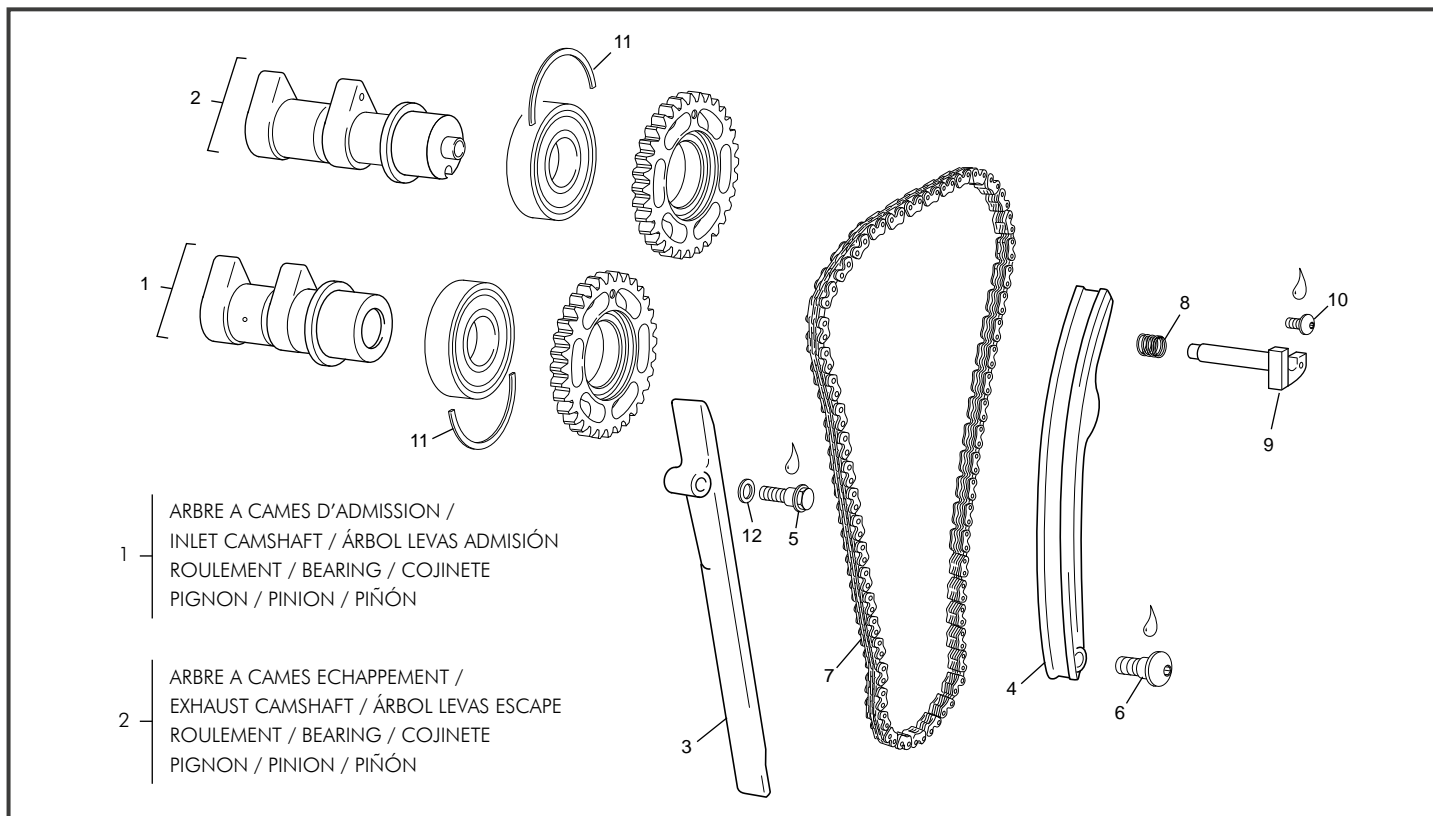
*Sherco se réserve les droits de modification des références, merci de contrôler sur le portail Sherconetwork avant toute commande. - *Sherco reserves the right to make change on the references, please check on your Sherconetwork portal before ordering.
*Sherco se reserva el derecho para hacer modificaciones sobre las referencias. Por favor, verifica en el Sherconetwork antes de hacer un pedido.

Culasse Cylinder head / Culata



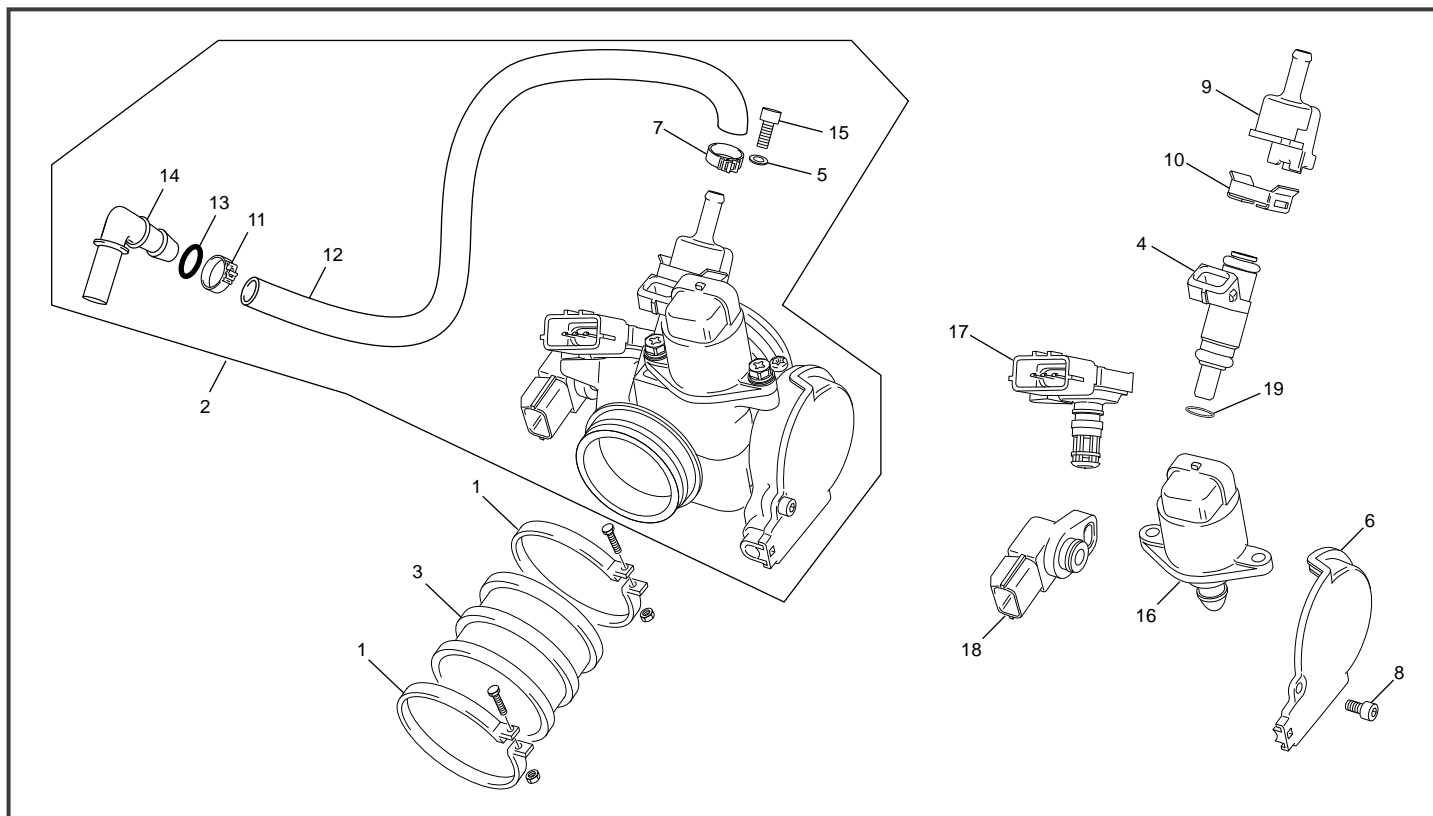
| POS. | 250 SEF-F | 300 SEF-F | FRANÇAIS | ENGLISH | ESPAÑOL |
|------|-----------|-----------|---------------------------------------|-------------------------------------|--|
| 37 | 0008 | 0008 | DOUILLES CENTRAGE 8X6X11 | SPACER CENTRAGE 8X6X11 | CENTRADOR 8X6X11 |
| 38 | 0464 | 0464 | RACCORD CYLINDRE/DURITE END | CILINDER WATER CONEXION END | CONECTOR TUBO AGUA CILINDRO END |
| 39 | 1774 | 1774 | BAGUE D` APPUI VIS CULASSE 250 END | SPACER SCREW CYLINDER HEAD 250 END | CASQUILLO TORNILLO CULATA 250 END |
| 40 | 0897 | 0897 | VIS M10 X 125 250 END | SCREW M10 X 125 250 END | TORNILLO M10 X 125 250 END |
| 41 | 2390 | 2390 | RONDELLE CUIVRE 6 X 12 X 1.5 UNITAIRE | WASHER COPPER 6 X 12 X1.5 UNITARY | ARANDELA COBRE 6 X 12 X 1.5 UNIDAD |
| 42 | 4315 | 4315 | RONDELLE RESSORT ECH 250 END | EXAUST WASHER SPRING 250 END | ARANDELA DE RESORTE ECAP 250 END 0.3MM |
| 43 | 4316 | 4316 | RONDELLE RESSORT ADM 250 END | INTAKE WASHER SPRING 250 END | ARANDELA DE RESORTE ADM 250 END 0.3MM |
| 44 | 8019 | 5108 | KIT JOINT HAUT MOTEUR 250 SEF 78 MM | KIT GASKET TOP ENGINE 250 SEF 78 MM | KIT JUNTA MOTOR PARTE SUPERIOR 250 SEF 78 MM |

Distribution Camshaft and drive assembly / Distribución

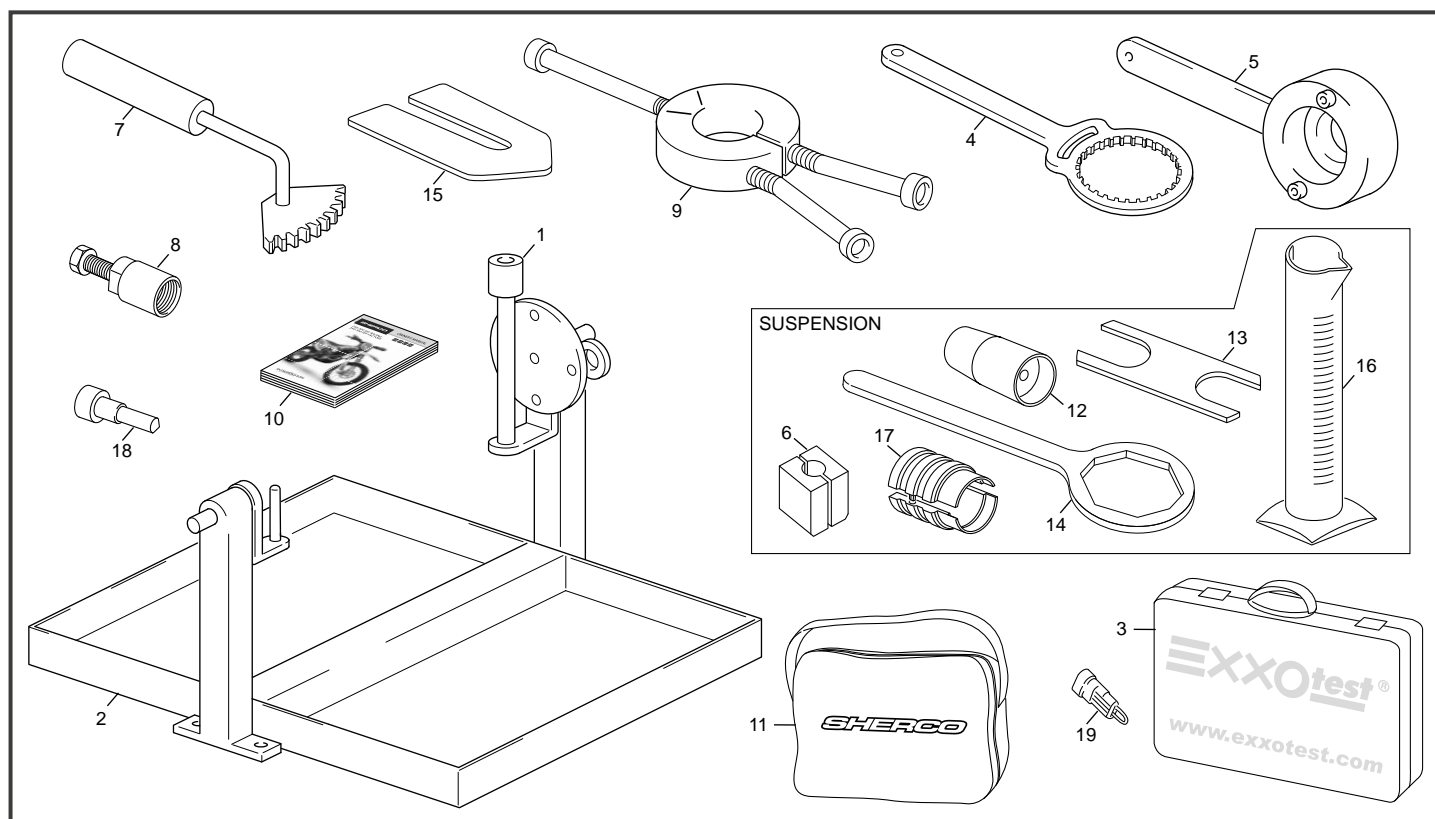


| POS. | 250 SEF-F | 300 SEF-F | FRANÇAIS | ENGLISH | ESPAÑOL |
|------|-----------|-----------|--|---|---------------------------------------|
| 1 | 10563 | 10561 | ENSEMBLE ARBRE A CAMES ADMISSION SEF "21 SAV | INTAKE CAMSHAFT SEF "21 SPARE PARTS | ARBOL LEVAS ADMISION "21 SEF RECAMBIO |
| 2 | 10562 | 10560 | ENSEMBLE ARBRE A CAMES ECHAP SEF "21 SAV | EXHAUST CAMSHAFT SEF "21 SPARE PARTS | ARBOL LEVAS ESCAPE SEF "21 RECAMBIO |
| 3 | 0913 | 0913 | GUIDE CHAINE 250 END | CHAIN GUIDE 250 END | GUIA CADENA 250 END |
| 4 | 0914 | 0914 | PATIN TENDEUR DE CHAINE 250 END | GUIDE STOPPER 250 END | TOPE DE GUIA 250 END |
| 5 | 0915 | 0915 | VIS PATIN TH M8 250 END | SCREW TH M8 SPECIAL 250 END | TORNILLO TH M8 SPECIAL 250 END |
| 6 | 0916 | 0916 | VIS M6 PATIN TENDEUR 250 END | SCREW M6 SPECIAL 250 END | TORNILLO M6 SPECIAL 250 END |
| 7 | 1892 | 1892 | CHAINE DE DISTRIBUTION 104 MAILLONS | CHAIN OF DISTRIBUTION 104 LINKS ENDLESS | CADENA DE DISTRIBUCION 104 ENLACES |
| 8 | 1511 | 1511 | RESSORT DECOMP. 250 END | DECOMPRESSOR SPRING 250 END | MUELE DECOMPRESSOR 250 END |
| 9 | 1510 | 1510 | DECOMPRESSEUR AUTOMATIQUE 250 END | DECOMPRESSOR AUTOMATIC 250 END | DECOMPRESOR AUTOMATICO 250 END |
| 10 | 1687 | 1687 | VIS BHC EPAULE M5 X 10 | SCREW BHC M5 X 10 | TORNILLO ULS CON VALONA M5 X 10 |
| 11 | 0926 | 0926 | DEMI SEGMENT D ARRET 250 END | HALF SNAP RING 250 END | SEMI SEGER 250 END |
| 12 | 0120 | 0120 | RONDELLE CUIVRE 8 X 12 X 1 | WASHER COPPER 8 X 12 X 1 | ARANDELA COBRE 8 X 12 X 1 |

Corps injection Injector body / Cuerpo inyección



| POS. | 250 SEF-F | 300 SEF-F | FRANÇAIS | ENGLISH | ESPAÑOL |
|------|-----------|-----------|--|--|---|
| 1 | 0595 | 0595 | COLLIER KCO60 MANCHON CORP INJECTION END | COLLAR KCO60 HOSE BODY INJECTION END 450 | BRIDA TOBERA KCO60 CUERPO INYECCION END 450 40-60 |
| 2 | 7209 | 7211 | CORP D' INJECTION END SYN COMPLET EVO | INJECTION BOODY END SYN COMPLET EVO | CORPO INJECTION END SYN COMPLET EVO |
| 3 | 4313 | 4313 | MANCHON CULASSE/INJECTION END SYNERJECT | MANIFOLD CILINDER HEAD/INJECTION END SYNERJECT | TUBERA CULATA/INJECTION END SYNERJECT |
| 4 | 3464 | 3464 | INJECTEUR DK4 | INJECTOR DK4 | INJECTEUR DK4 |
| 5 | 4754 | 4754 | RONDELLE M5 X 10 | WASHER M5X10 | ARANDELA M5X10 |
| 6 | 5102 | 5102 | COUVERCLE CORP INJECTION END SYN | INJECTION COVER END SYN | TAPA CORPO INJECTION END SYN |
| 7 | 5101 | 5101 | COLLIER CLIC 12 | COLLAR 12 | ABRAZADERA 12 |
| 8 | M286 | M286 | VIS BHC 4 X 10 | SCREW BHC 4 X 10 | TORNILLO 4 X 10 ULS |
| 9 | 4427 | 4427 | SUPPORT INJECTEUR DK4 | CUP AND BRACKET INJECTOR DK4 | SOPORTE INJECTOR DK4 |
| 10 | 4426 | 4426 | CLIPS INJECTEUR DK4 | CLIPS INJECTOR DK4 | CLIPS INJECTOR DK4 |
| 11 | H263 | H263 | COLLIER CLIC 66/125 | COLLAR 66/125 | ABRAZADERA 66/125 |
| 12 | 3487 | 3487 | DURITE ALIMENTATION END | HOSE INJECTION/FUEL END | TUBO GASOLINA/INJECTION END |
| 13 | 3547 | 3547 | JOINT TORIQUE Ø6X1.5 | O RING Ø6X1.5 | TORICA Ø6X1.5 |
| 14 | 3546 | 3546 | RACCORD RAPIDE 90° POMPE BITRON END | FAST FUEL CONEXION 90° PUMP BITRON EN | CONECTOR TUBO RAPIDO END |
| 15 | 2990 | 2990 | VIS CHC M5X12 ZI PRE IMPREGNEE FAIBL | SCREW CHC M5X12 ZI | TORILLO CHC M5X12 ZI |
| 16 | 5103 | 5103 | VANNE INJECTION END SYN | ACTUATOR MOTOR END SYN | MOTOR PASO A PASO END SYN |
| 17 | 3465 | 3465 | CAPTEUR TMAP 30 | SENSOR TMAP 30 | SENSOR TMAP 30 |
| 18 | 5104 | 5104 | CAPTEUR TPS INJECTION END SYN | TPS SENSOR END SYN | CAPTADOR TPS END SYN |
| 19 | 8398 | 8398 | JOINT TORIQUE VITON INJECTEUR DK4 | JOINT TORIQUE VITON INJECTEUR DK4 | TORICA 22.5X2 VITON INJECTEUR DK4 |



| POS. | 250 SEF-F | 300 SEF-F | FRANÇAIS | ENGLISH | ESPAÑOL |
|------|-----------|-----------|--|---|--|
| 1 | R455 | R455 | OUTIL SUPPORT MOTEUR | OUTIL SUPPORT MOTEUR | UTIL SOPORTE MOTOR |
| 2 | R481 | R481 | SERVANTE | SERVANTE | BANDEJA |
| 3 | 8561 | 8561 | KIT OUTIL DIAGNOSTIC INJECTION SYNERJECT | TOOL DIAGNOSTIC INJECTION SYNERJECT KIT | KIT UTILLAJE DIAGNOSTICO INYECCION SYNERJECT |
| 4 | 5749 | 5749 | OUTIL CLOCHE EMBRAYAGE | OUTIL CLOCHE EMBRAYAGE | UTIL CAMPANA EMBRAGUE |
| 5 | 4753 | 4753 | OUTIL ALLUMAGE | OUTIL ALLUMAGE | UTIL ENCENDIDO |
| 6 | 7670 | 7670 | COLLIER DE TUBE INTERIEUR 48 MM | INNER TUBE CLAMP 48 MM | PINZA INTERNA DEL TUBO 48 MM |
| 7 | 5593 | 5593 | OUTIL BLOC PIGNON PRIMAIRE | OUTIL BLOC PIGNON PRIMAIRE | UTIL PINION PRIMARIO |
| 8 | R462 | R462 | EXTRACTEUR VOLANT | EXTRACTEUR VOLANT | EXTRACTOR VOLANTE |
| 9 | R464 | R464 | EXTRACTEUR ANNEAU INTERNE 450 | EXTRACTEUR ANNEAU INTERNE 450 | EXTRACTOR ANILLO INTERIOR |
| 10 | 8700 | 8700 | MANUEL DU PROPRIETAIRE SEF-R 250-300 | MANUEL DU PROPRIETAIRE SEF-R 250-300 | MANUAL PROPIETARIO SEF-R 250-300 |
| 11 | 0726 | 0726 | TROUSSE OUTILS | TROUSSE OUTILS | RIÑONERA HERRAMIENTAS |
| 12 | 7668 | 7668 | GUIDE JOINT 48 MM | OIL SEAL INSERT 48 MM | SELLO DE ACEITE INSERTAR 48 MM |
| 13 | 7667 | 7667 | SUPPORT PISTON | PISTON ROD HOLDER | TENEDOR DE VARILLA DE PISTON |
| 14 | 7666 | 7666 | CLÉ À CAPUCHON TOP 49 MM BLEU | TOP CAP WRENCH 49 MM BLUE | LLAVE DE LA TAPA SUPERIOR 49 MM AZUL |
| 15 | 5774 | 5774 | OUTIL SUPPORT PISTON SEF | SUPPORT PISTON TOOL SEF | UTIL SOPORTE PISTON SEF |
| 16 | 7671 | 7671 | ALIMENTADOR 500 ML | MEASURING CAN 500 ML | ALIMENTADOR 500 ML |
| 17 | 7669 | 7669 | SUPPORT JOINT 48 MM | SEAL HAMMER 48 MM | SELLO MARTILLO 48 MM |
| 18 | 10338 | 10338 | VIS VILO PMH | DEAD POINT SCREW TOOL | TORNILLO PUNTO MUERTO |
| 19 | 6267 | 6267 | FAISCEAU SHUNT OUTIL DIAGNOSTIQUE KEY LESS | HARNES SHUNT DIAGNOSTIC TOOL KEY LESS | SHUNT HERRAMIENTA DIAGNOSTICA A KEY LESS |

SHERCO



WWW.SHERCO.COM

MOTUL

KENNY

Airoh
HELMET

G
GAERNE

KYB
... Technical Touch

MICHELIN

Polisport
Performance Parts

VERTEX
PISTON & POWER

WUF

GALFER

AX
RACING

UNIRACING

RENTHAL

BUD
RACING

FACTORY LINKS
OFF-ROAD SERIES

AFAM

SCOTT

HEXIS

BS
BATTERY

OXFLIGHT

AKRAPOVIČ

created by www.candisseny.com