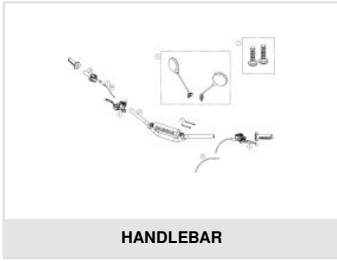


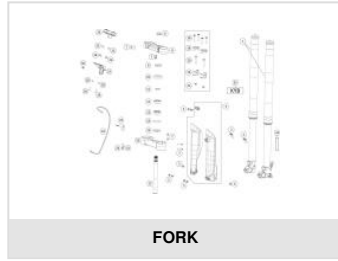


MR 200 RANGER USA WHITE 2023

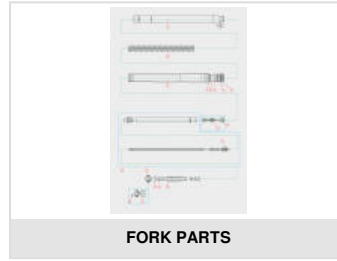
Exploded



HANDLEBAR



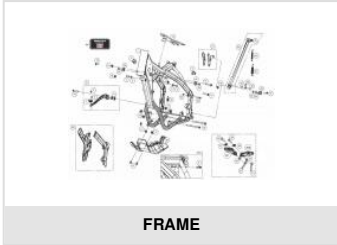
FORK



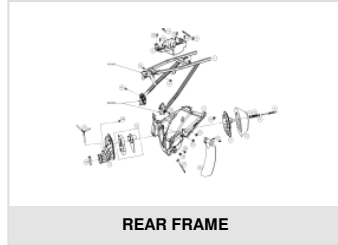
FORK PARTS



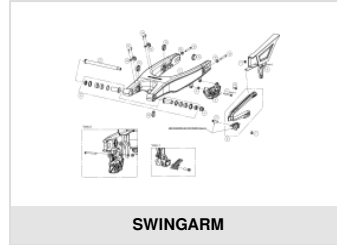
KYB TOOLS



FRAME



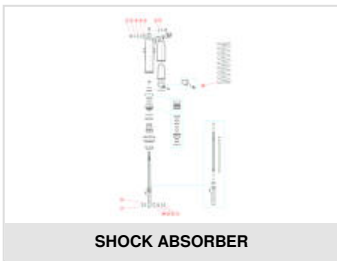
REAR FRAME



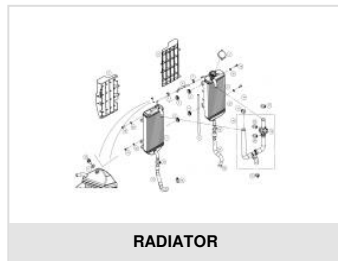
SWINGARM



SHOCK ABSORBER



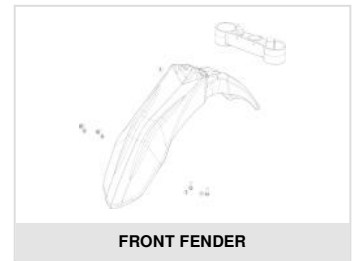
SHOCK ABSORBER



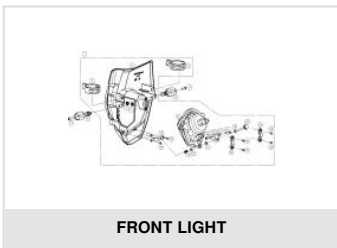
RADIATOR



ELECTRICAL PARTS



FRONT FENDER



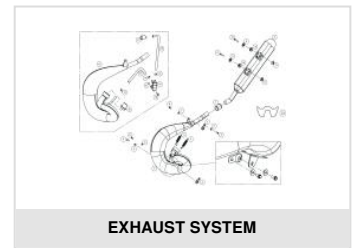
FRONT LIGHT



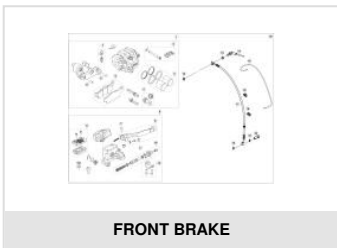
TANK



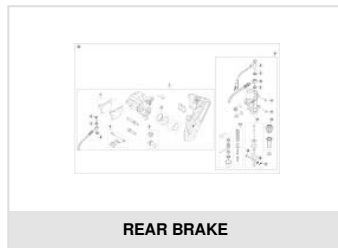
REAR FAIRING



EXHAUST SYSTEM



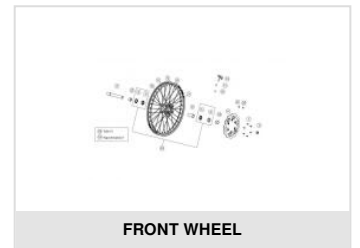
FRONT BRAKE



REAR BRAKE



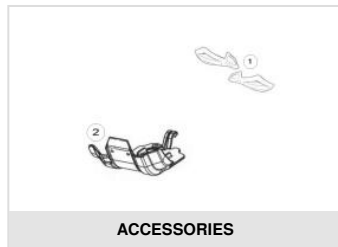
CLUTCH CONTROL



FRONT WHEEL



REAR WHEEL



ACCESSORIES



STICKERS



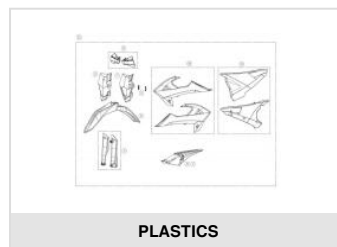
ACCESSORIES



ELECTRICAL FAN

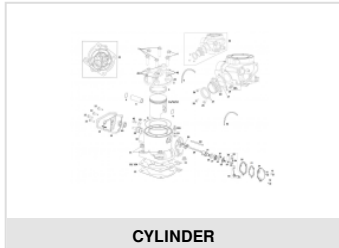
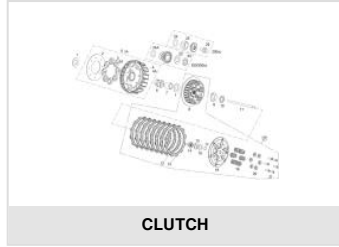
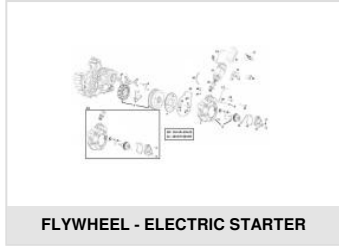
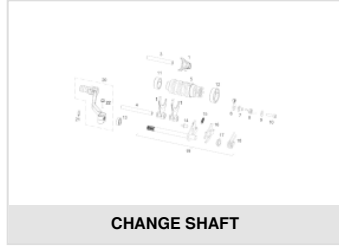
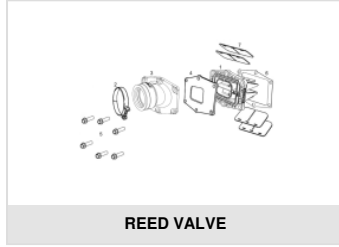
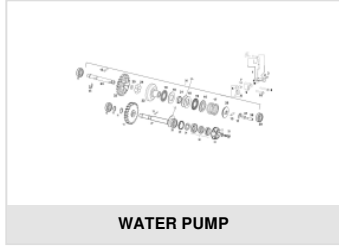
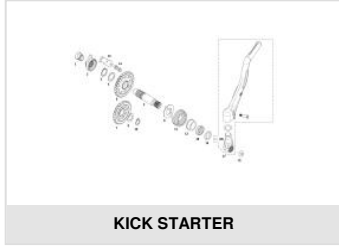


TRANSPARENT STICKER

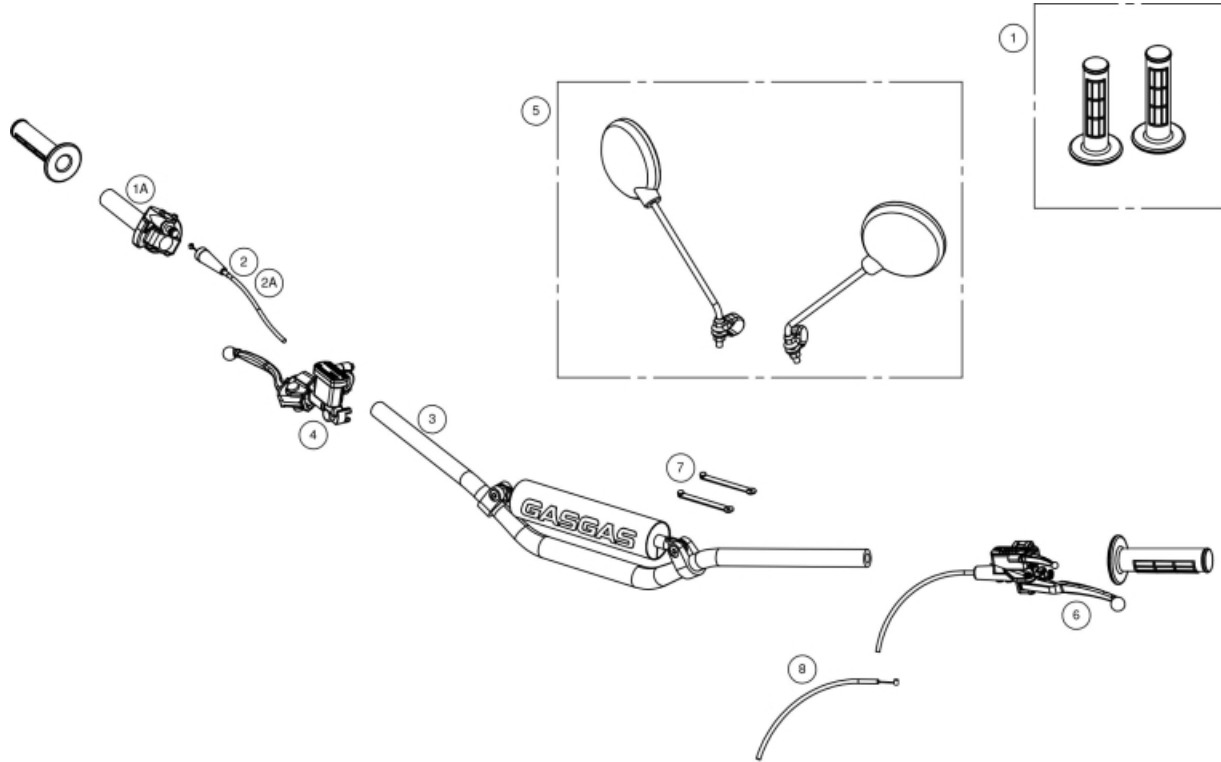


PLASTICS

ENGINE MR 2022 V1

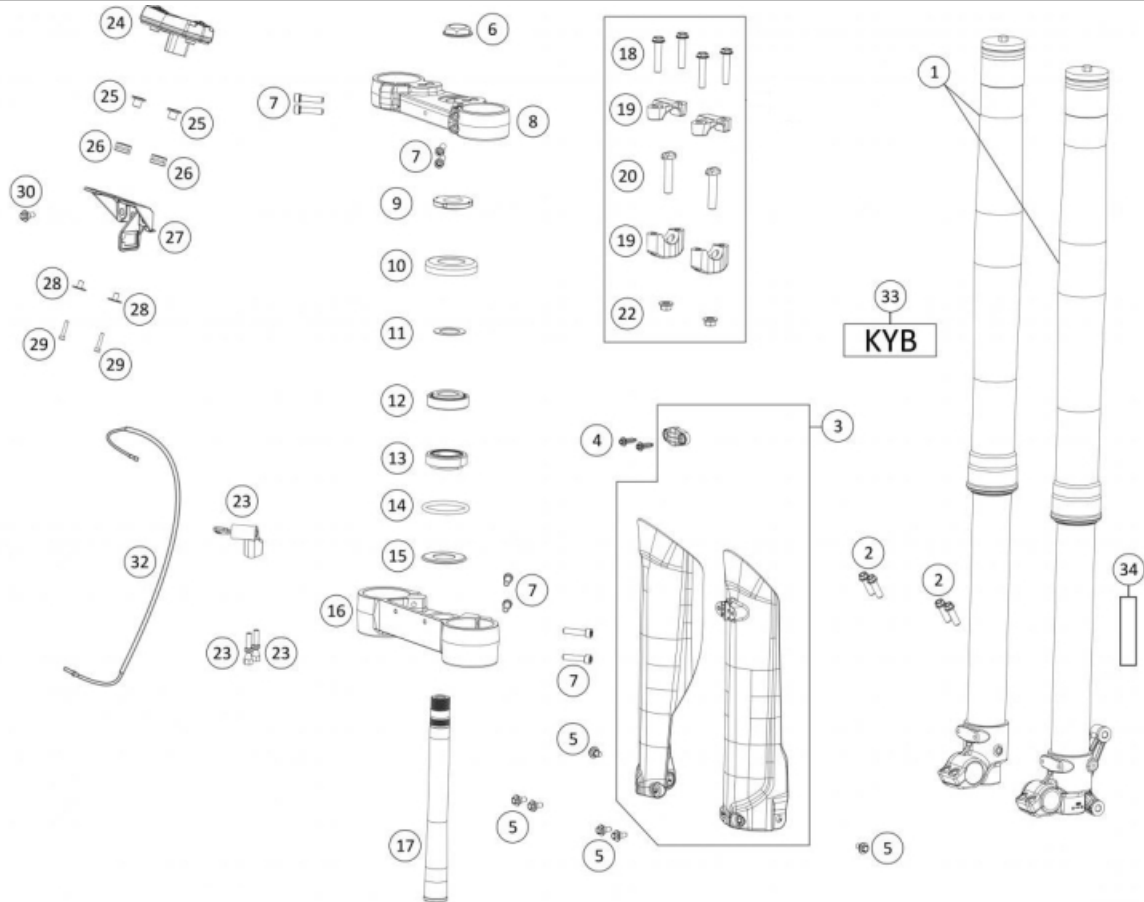


HANDLEBAR



1	RJ-MR HANDLEBAR NEKEN GRIPS SET (BLACK) (2019) : BE26100GG-CSK-1 0/000.530.9101 (u. 1)
1A	RJ-MR THROTTLE GRIP TWIST (2001-2019) : BE25624007 : BE25724007 0/000.530.9100 (u. 1)
2	RJ-MR THROTTLE CABLE (2018-2019) : BE78500GG-CLJ-1 0/000.550.9101 (u. 1)
2A	RJ-MR THROTTLE CABLE (HOMOLOGATED) (2018-2019) : BE78501GG-CLJ-1 0/000.550.9102 (u. 1)
3	RJ-MR HANDLEBAR (EC 2006-2018) : BE250002511, BE250624001 : BE25000GG-CAB-1 0/000.170.9100 (u. 1)
4	(ENDURO) (FRONT) BRAKE PUMP (RANGER) BE61000CT-CTR-1 (u. 1)
5	REAR VIEW MIRROR SET : 1610010211, L300760 : BT29000GG-CKR-1 0/000.990.9100 (u. 1)
6	RJ-MR COMPLETE MAGURA CLUTCH PUMP, 9.5 (167) (2018-2019) : BE45000003011 : ME250632026 0/000.830.9101 (u. 1)
7	RUBBER CABLE TIES : BFS450320067 0/000.360.9110 (u. 2) RJ-MR HANDLEBAR ZIP-TIES 0/000.680.0060 (u. 2)
8	RJ-MR STARTER CABLE (2018-2019) : BE25601GG-CLJ-1 0/000.550.9100 (u. 1)

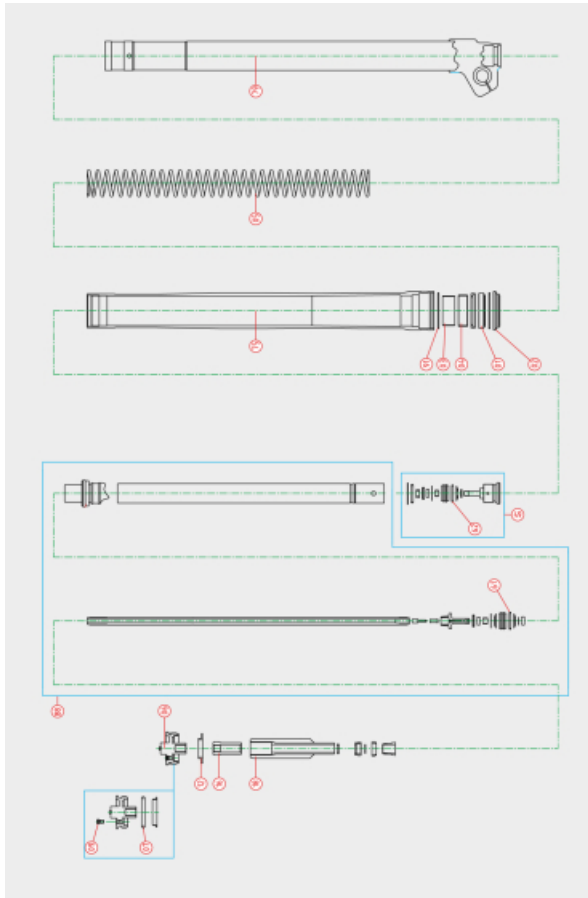
FORK



1	RJ-MR COMPLETE SUSPENSION (MR RANGER 2021) 0/K00.130.9102 (u. 1)
2	SCREW ESP. 8x25 : T0228025 0/000.460.9137 (u. 4)
3	RJ-FORK PROTECTOR SET {GASGAS EC/XC 18→, RIEJU MR 21→} (WHITE) 0/000.220.9144 (u. 1)
4	PENDING - T0806023 : SPECIAL SCREW THREAD PLASTIC HEXAGON CABOT WITH WASHER 6x20 T0806020 (u. 2) TORNILLO ESPECIAL ROSCA PLASTI T0806023 (u. 2)
5	SCREW ESP.6X8 PLASTIC : T0806008 0/000.460.9162 (u. 6)
6	RJ-MR STEERING SHAFT NUT : S220730 : BE25610030 0/000.340.9102 (u. 1)
7	ALLEN BOLT 7x30 : T0307030 0/000.460.9151 (u. 10)
8	TOP-BRIDGE SUSPENSION PAMPERA : BE22000GG-CTR-1 0/000.660.9103 (u. 1)
9	RJ-MR LOWER STEERING SHAFT NUT : S220720 : BE25610029 0/000.340.9101 (u. 1)
10	RJ-MR BEARING DUST COVER (BLACK) (STD. 2019) : BE24005GG-CSK-1 0/000.200.9100 (u. 1)
11	RJ-MR STEERING WASHER (2018-2019) : S220715 : BE25610028 0/000.440.9101 (u. 1)
12	RJ-MR STEERING BEARING (2018-2018) : C140700 : BE25610008 0/000.960.9101 (u. 1)
13	RJ-MR STEERING BEARING (2018-2019) : BE250610008 0/000.960.9100 (u. 1)

14	RJ-MR STEERING O-RING (2018-2019) : C300700, C300701 : BE25610012 0/000.490.9102 (u. 1)	
15	RJ-MR STEERING CAP (2018-2019) : BE250610026 0/000.200.9101 (u. 1)	
16	LOWER-BRIDGE SUSPENSION PAMPERA : BE21000GG-CTR-1 0/000.660.9101 (u. 1)	
17	RJ-MR STEERING AXLE (2018-2019) : BE24000GG-CLJ-1 0/000.190.9100 (u. 1)	
18	SPECIAL BOLT 8x40 : T0228040 0/000.460.9140 (u. 4)	
19	RJ-UPPER/LOWER HANDLEBAR CLAMP SET {RIEJU MR RANGER 21->} (BLACK) 0/K00.350.9103 (u. 1)	
20	SPECIAL BOLT 10x45 : T0201045 0/000.460.9113 (u. 2)	
22	RJ-FLANGE NUT DIN 6926 M10 : T3110003, 0/000.340.9124 0/000.340.0182 (u. 2) OBSOLETE - 0/000.340.0182 : FLANGE NUT M10-1.50 : T3110003 0/000.340.9124 (u. 2)	OBSOLETE
23	(ENDURO) ADDRESS BLOCK KIT (2018-2019) BE15025CT-CLJ-1 (u. 1)	
24	RJ-MR MULTIFUNCIN "EVEREST" SET (2018-2019) : EE60000CT-CLJ-1 0/001.000.9100 (u. 1)	
25	RJ-SCHNORR M4 STAINLESS STEEL WASHER 0/000.440.0043 (u. 2) RJ-WIDE WASHER DIN 522 M4 STAINLESS STEEL 0/000.440.0044 (u. 2)	
26	RJ-RUBBER GROMMET : BE25632003, G220000, 0/000.360.9112 0/000.360.4002 (u. 2)	
27	RJ-FRONT FORK MULTI-FUNCTION BRACKET {GASGAS EC/XC 18-19} : EE65000GG-CSK-1 0/000.980.9108 (u. 1)	
28	RJ-MARKER CAP MR 0/000.480.9130 (u. 2)	
29	RJ-SCREW ISO 7380 TORX T-20 M4x20 INOX 0/000.460.0079 (u. 2)	
30	SCREW +WASHER 6x7 : T0806007 0/000.460.9161 (u. 1)	
32	RJ-MR MULTI-FUNCTION HOSE TT : BE250634050 0/001.010.9100 (u. 1)	
33	RJ-SUSPENSION ADHESIVE KYB 200 x 87 mm 0/000.390.9142 (u. 1) PENDING - (ENDURO) KYB DECAL KIT (RANGER) BE95285GG-CTR-1 (u. 1)	
34	RJ-MR (FRONT) FORK REFLECTOR DECAL : BE93915GG-CRB-1 0/000.630.9102 (u. 2)	

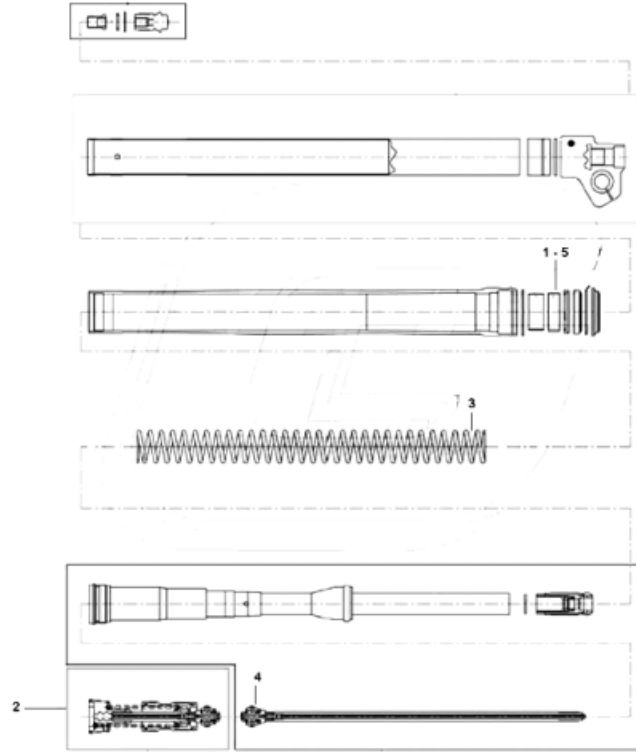
FORK PARTS



1	(ENDURO) COMPLETE KYB SUSPENSION RETAINERS (RANGER) BE20140CT-CTR-1 (u. 1)
2	(ENDURO) COMPLETE KYB SUSPENSION DUST GUARD (RANGER) BE20130CT-CTR-1 (u. 1)
3	(ENDURO) KYB GLACIER BOTTLE SUSPENSION (RANGER) BE20150GG-CTR-1 (u. 1)
4	(ENDURO) KYB GLADIER SUSPENSION BAR (RANGER) BE20151GG-CTR-1 (u. 1)
5	(ENDURO) COMPLETE KYB SUSPENSION SPRINGS K-4.2N (RANGER) BE20172CT-CTR-1 (u. 1)
	(ENDURO) COMPLETE KYB SUSPENSION SPRINGS K-4.0N (RANGER) BE20170CT-CTR-1 (u. 1)
	(ENDURO) COMPLETE KYB SUSPENSION SPRINGS K-3.8N (RANGER) BE20171CT-CTR-1 (u. 1)
6	(ENDURO) COMPLETE COMPRESSION CAP (RANGER) BE20125GG-CTR-1 (u. 1)
7	(ENDURO) TORICA COMPRESSION PLUG (RANGER) BE20126GG-CTR-1 (u. 1)
9	(ENDURO) SCREW CAP REGULATION COMPRESSION WITH TORICA (RANGER) BE20175GG-CTR-1 (u. 1)
12	RJ-MR RANGER COMPRESSION PLUG SPRING BE20195GG-CTR-1 (u. 1)
16	RJ-MR RANGER SPRING GUIDE NUT BE20156GG-CTR-1 (u. 1)
18	RJ-MR RANGER SPRING GUIDE BE20155GG-CTR-1 (u. 1)
49	(ENDURO) COMPRESSION BASE PLUG (RANGER) BE20250GG-CTR-1 (u. 1)

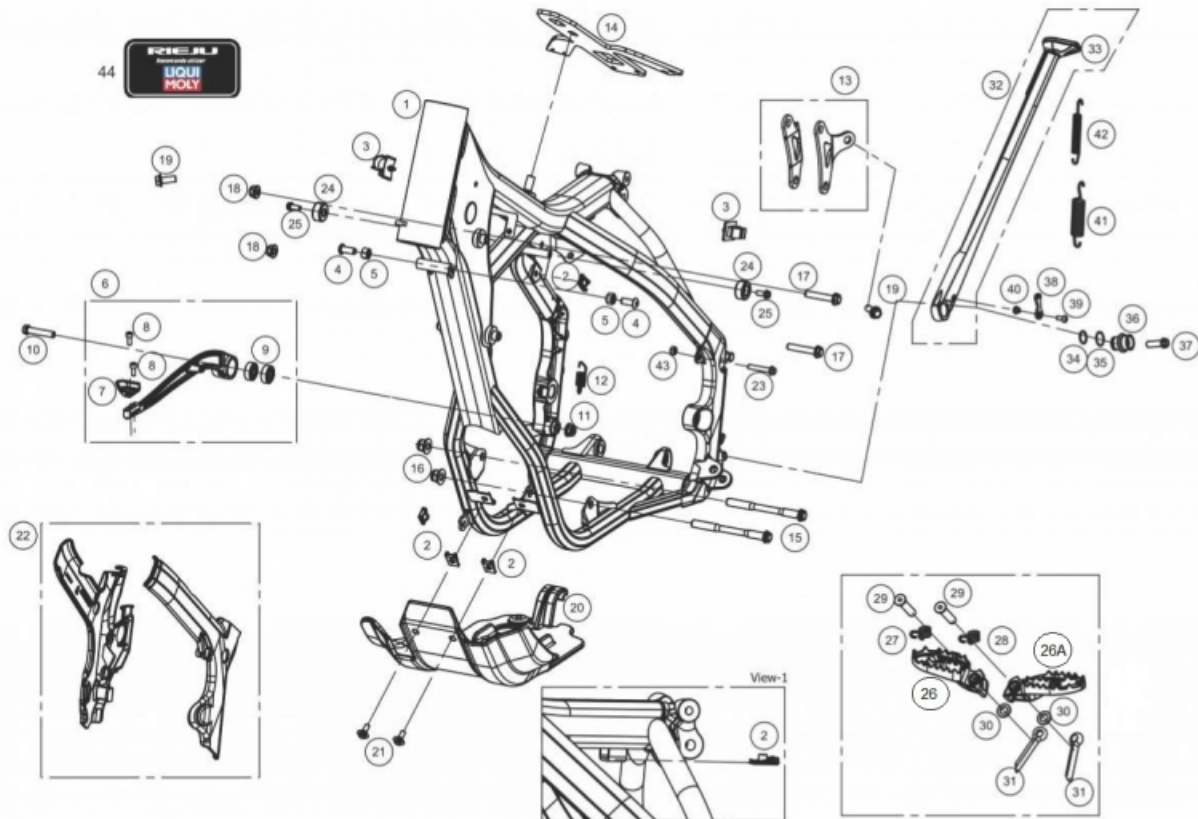
61	(ENDURO) SEEGER REBOUND PISTON (RANGER) BE20260GG-CTR-1 (u. 1)
62	(ENDURO) TORICA COMPRESSION BASE PLUG (RANGER) BE20255GG-CTR-1 (u. 1)
75	(ENDURO) KYB SUSPENSION BOTTLE (RANGER) BE20100GG-CTR-1 (u. 1)
79	(ENDURO) (RIGHT) COMPLETE KYB SUSPENSION (RANGER) BE20110CT-CTR-1 (u. 1)
	(ENDURO) (LEFT) COMPLETE KYB SUSPENSION (RANGER) BE20115CT-CTR-1 (u. 1)
88	(ENDURO) BASTAGO COMPRESION (RANGER) BE20190GG-CTR-1 (u. 1)
91	(ENDURO) CIRCLIP SUSPENSION KAYABA (RANGER) BE20135GG-CTR-1 (u. 1)

KYB TOOLS



1	(ENDURO) KAYABA SUSPENSION SEAL TOOL BE20225GG-CLJ-1 (u. 1)
2	(ENDURO) KAYABA SUSPENSION CAP TOOL BE21105GG-CLJ-1 (u. 1)
3	(ENDURO) KAYABA SUSPENSION PISTON BRACKET TOOL BE20230GG-CLJ-1 (u. 1)
4	(ENDURO) KAYABA SUSPENSION CARTRIDGE CAP TOOL BE21106GG-CLJ-1 (u. 1)
5	(ENDURO) KAYABA SUSPENSION SEAL INSERT TOOL BE20235GG-CLJ-1 (u. 1)

FRAME

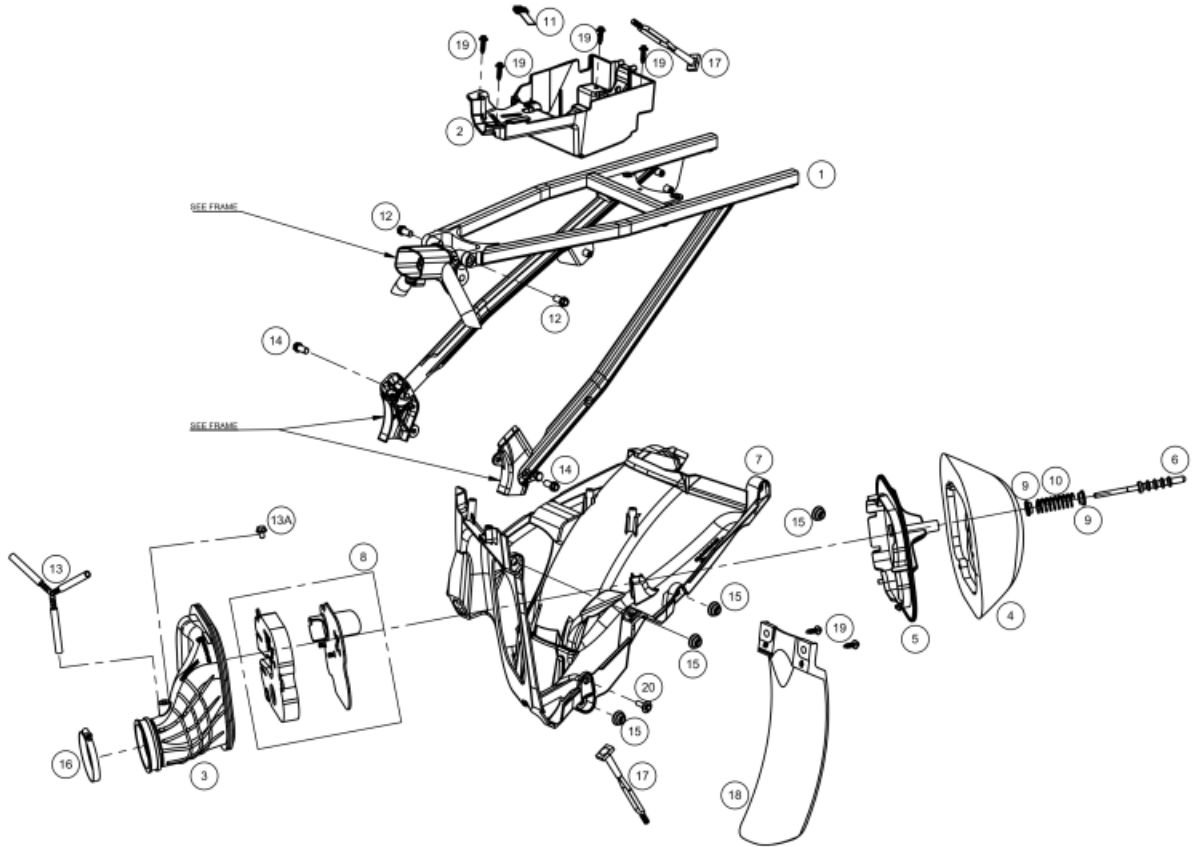


1	RJ-FRAME (200,250,300) {RIEJU MR 20} (BLACK) 0/000.010.9100 (u. 1)
2	CAGE NUT 6mm : T2606000 0/000.340.9120 (u. 3)
3	RJ-MR CLIP (1E3J) SUJ. INST. (2018-2019) : BE10984GG-CLJ-1 0/000.630.9100 (u. 2)
4	BUTTONHEAD ALLEN BOLT 8X25 : T0508025 0/000.460.9157 (u. 2)
5	ZINC STEERING STOPNUT M8X13X8 : T2008002 0/000.340.9109 (u. 2)
6	RJ-MR KICK BRAKE (2018-2019) : BE13000CT-CLJ-1 0/000.730.9100 (u. 1)
7	(ENDURO) BRAKE PEDAL BE130102510 (u. 1)
9	(ENDURO) BRAKE PEDAL BEARING 628-2RS BE13025GG-CLJ-1 (u. 2)
10	RJ-SCREW DIN 912 Allen M8x45 Cal.8.8 Z (WHITE): T0208045 0/000.460.0382 (u. 1)
11	RJ-M8 NUT 0/000.340.0180 (u. 1)
12	RJ-MR BRAKE PEDAL SPRING : BE13015GG-CAB-1 0/000.470.9100 (u. 1)
13	CYLINDER HEAD BRACKET SET (250,300cc) {GASGAS 18-19} : BE11100GG-CLJ-1, BE11101GG-CLJ-1 BE11100CT-CLJ-1 (u. 1)
14	RJ-MR RUBBER PROT.TANK GASOLINE (2018-2019) : BE76045GG-CLJ-1 0/000.220.9116 (u. 1)
15	SCREW M10x113 : T0210113 0/000.460.9132 (u. 2)

16	10MM NUT (1.25) : T3110002 0/000.340.9123 (u. 2)
17	SPECIAL SCREW 8x50 : T0228050 0/000.460.9141 (u. 1)
19	SPECIAL SCREW 8x20 : T0228020 0/000.460.9136 (u. 4)
	RJ-FLAT WASHER 8x16 : T4008017, T4008016 0/000.440.0160 (u. 4)
	RJ-NUT DIN 6927 M8 Cal.8 Z (WHITE) 0/000.340.0188 (u. 4)
20	RJ-RANGER SKID PLATE 0/R00.220.9100 (u. 1)
22	RJ-FRAME GUARDS SET {GASGAS EC/XC 18-19, MR 20→} (BLACK) 0/K00.220.9103 (u. 1)
23	SPECIAL BOLT 6x35 : T0206035 0/000.460.9124 (u. 1)
24	RJ-MR GAS TANK SILENTBLOCK+WASHER : BE76066GG-CLJ-1 0/000.360.9106 (u. 2)
25	HEX FLANGE BOLT 6x14 : T0206014/2 : T0206014 0/000.460.9118 (u. 2)
26	RJ-FOOTPEG KIT {MR RACING/RANGER} : BE14005GG-CLJ-1, BE14010GG-CLJ-1, 0/K00.740.9101 0/K00.740.9101 (u. 1)
27	RJ-MR (RIGHT) FOOT PEG SPRING (2018-2019) : BE14030GG-CLJ-1 0/000.470.9101 (u. 1)
28	RJ-MR (LEFT) FOOT PEG SPRING (2018-2019) : BE14035GG-CLJ-1 0/000.470.9102 (u. 1)
	RJ-RH&LH PILOT STRIP SPRING 0/000.470.9113 (u. 1)
29	RJ-MR FOOT PEG BUSH PIN : BE25610006 : BE14025GG-CAB-1 0/000.480.9101 (u. 2)
30	PENDING - RJ-WASHER 10x20x2 : T4001020 0/000.440.9115 (u. 2)
31	RJ-MR FOOT PEG COTTER PIN : BE14040GG-CEQ-1 0/000.840.9100 (u. 2)
32	RJ-COMPLETE KICKSTAND KIT {GASGAS EC/XC 18-19, RIEJU MR 2021→} 0/K00.210.9101 (u. 1)
33	RJ-MR RUBBER END FOR KICK STAND (2018-2019) : BE14255GG-CLJ-1 0/000.570.9100 (u. 1)
34	RJ-MR KICK STAND O-RING 15x1.5 : BE14260GG-CLJ-1 0/000.490.9100 (u. 1)
35	RJ-MR KICK STAND O-RING 17x1.5 : BE14261GG-CLJ-1 0/000.490.9101 (u. 1)
36	RJ-MR KICK STAND BUSHING (2018-2019) : BE14220GG-CLJ-1 0/000.480.9102 (u. 1)
	RJ-COMPETITION KICKSTAND BUSHING 0/000.480.9129 (u. 1)
37	RJ-SCREW ISO 7380 TORX T-40 M8x25 INOX 0/000.460.0081 (u. 1)
	SCREW ESP. 8x25 : T0228025 0/000.460.9137 (u. 1)
38	RJ-MR KICK STAND LCAM (2018-2019) : BE14230GG-CLJ-1 0/000.830.9100 (u. 1)

	ISO 7380 Torx T-25 SCREW W/ WASHER M5x16 INOX 0/000.460.0083 (u. 1)	
39	ISO 7380 Torx T-25 SCREW W/ WASHER M5x16 INOX 0/000.460.0083 (u. 1)	
	OBSOLETE - 0/000.460.0083 : BUTTONHEAD ALLEN BOLT 5X16 : T0505016 0/000.460.9155 (u. 1)	OBSOLETE
40	RJ-MR KICK STAND BUSHING LCAM (2018-2019) : BE14231GG-CLJ-1 0/000.480.9103 (u. 1)	
41	RJ-MR EXTERIOR KICK STAND SPRING (2018-2019) : BE14245GG-CLJ-1 0/000.470.9103 (u. 1)	
42	RJ-MR INTERIOR KICK STAND SPRING (2018-2019) : BE14250GG-CLJ-1 0/000.470.9104 (u. 1)	
43	NYLOC NUT 6mm : T2106001 0/000.340.9113 (u. 1)	

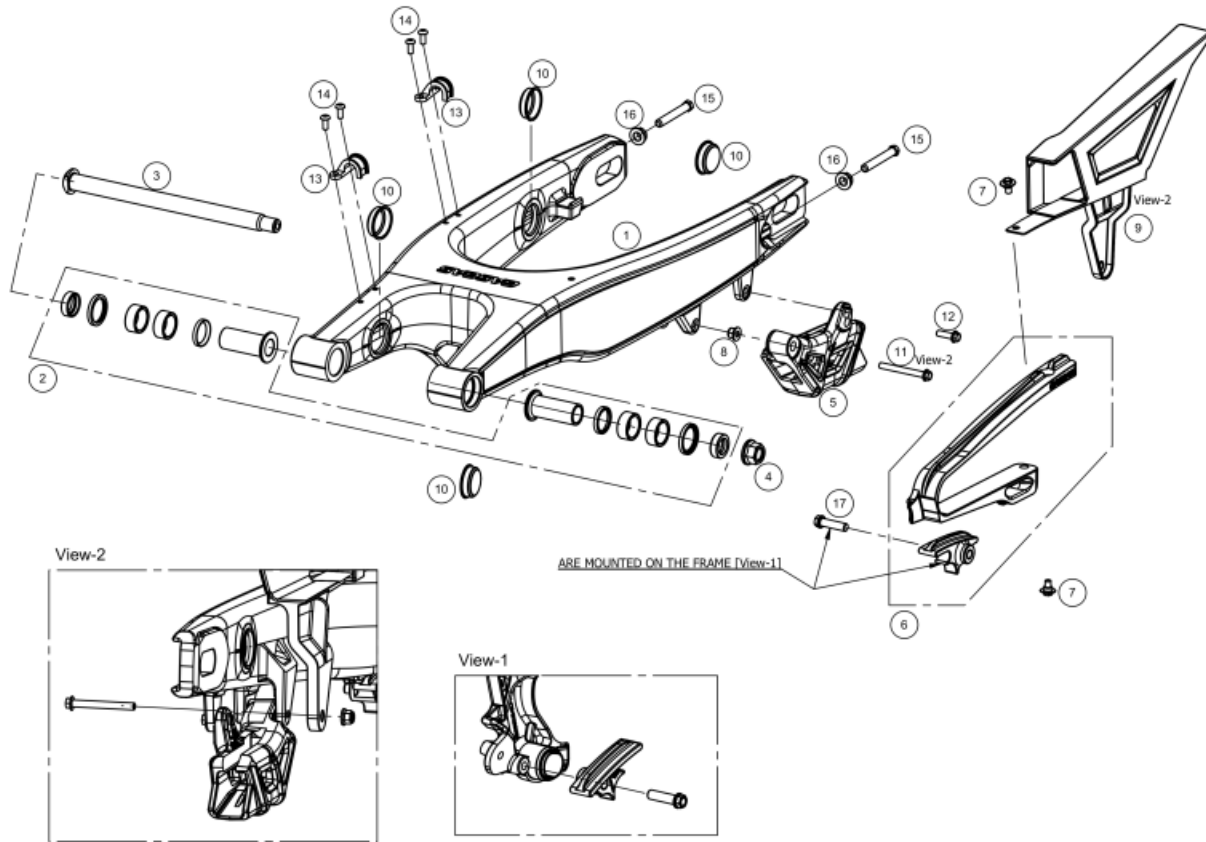
REAR FRAME



1	RJ-SUB-FRAME {MR} 0/K00.010.9102 (u. 1)
2	RJ-MR BATTERY BRACKET-CDI-RELE STARTER (2018-2019) : BE41010GG-CLJ-1 0/000.570.9101 (u. 1)
3	RJ-MR MANIFOLD C. FILTER (2018-2019) : BE79200GG-CLJ-1 0/000.360.9113 (u. 1)
4	RJ-ENDURO AIR FILTER (OEM158084X) {GASGAS 18-19, RIEJU MR 21->} : BE79500GG-CLJ-1 0/001.070.9100 (u. 1)
5	RJ-MR AIR FILTER HOLDER (2018-2019) : BE79505GG-CLJ-1 0/000.570.9104 (u. 1)
6	BE250728003 : AIR FILTER SUPPORT ROD (SILVER) (2018-2019) : MF25000032512 0/000.980.9117 (u. 1)
7	RJ-MR FILTER AIR BOX (2018-2019) : BE79000GG-CLJ-1 0/000.570.9103 (u. 1)
8	(ENDURO) AIR FILTER RESTRICTOR KIT (2018-2019) BE79800CT-CLJ-1 (u. 1)
9	RJ-MR AIR FILTER NYLON WASHER (2018-2019) : BE250728052 0/000.440.9100 (u. 2)
10	RJ-MR AIR FILTER BOX SPRING (2018-2019) : BE79525GG-CAK-1 : BE250728051 0/000.470.9105 (u. 1)
11	RJ-MR CDI HOLD-DOWN BAND : BE250034100 0/000.360.9101 (u. 1)
12	SCREW ESP. 8x25 : T0228025 0/000.460.9137 (u. 2)
13A	M6X12 BLACK ESPECIAL PLASTIC SCREW : BT35000083012 0/000.460.9109 (u. 1)
13	RJ-MR BLOW-BY DEVAPORIZING TUBE SET (2018-2019) : BE71155CT-CLJ-1 0/000.290.9106 (u. 1)

14	SCREW ESP. 8x16 : T0228016 0/000.460.9135 (u. 2)
15	RJ-MR SILENTBLOCK GROMMET NUMBER-PLATE (2018-2019) : BE93010GG-CLJ-1 0/000.360.9109 (u. 4)
16	RJ-MR CLAMP 50-70/9 : BE250328033 0/000.680.9101 (u. 1)
17	RJ-MR RUBBER STAND (2018-2019) : BE14205GG-CEQ-1 0/000.360.9100 (u. 2)
18	RJ-REAR SHOCK PROTECTOR {GASGAS EC/XC 18-19, RIEJU MR RACING/PRO 2021->} (BLACK) : BE25620008, BP25720060, P320104, P320700 : BE79555GG-CLJ-1 0/000.220.9117 (u. 1)
19	TORNILLO ESPECIAL ROSCA PLASTI T0806023 (u. 6)
	PENDING - T0806023 : SPECIAL SCREW THREAD PLASTIC HEXAGON CABOT WITH WASHER 6x20 T0806020 (u. 6)
20	SCREW +WASHER 6x16 : T0806016 0/000.460.9100 (u. 1)
21	CYLINDER VENT NIPPLE : ME25610012 : M01032001 0/000.630.9105 (u. 1)

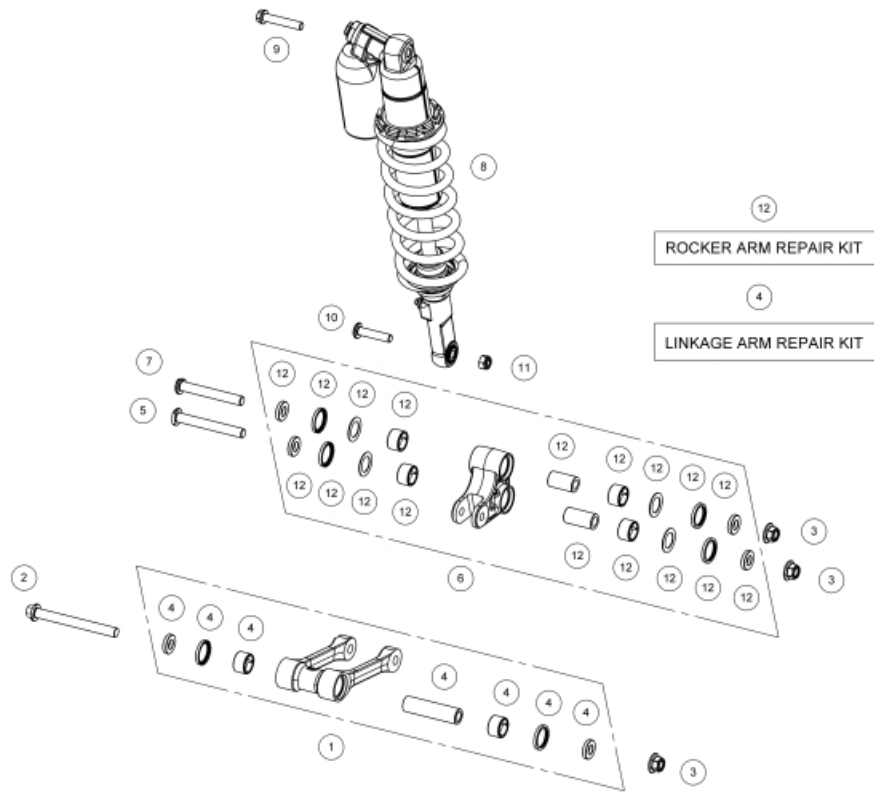
SWINGARM



1	RJ-MR SWINGARM (2018-2019) : BE4000GG-CLJ-1 0/000.020.9100 (u. 1)	
2	SWINGARM REPAIR KIT {GASGAS 18-19, RIEJU MR 20->} BE41000CT-CLJ-1 (u. 1)	
3	RJ-MR SWINGARM AXLE (2018-2019) : BE44500GG-CLJ-1 0/000.190.9101 (u. 1)	
4	RJ-MR SWINGARM NUT : B260700 : BE25612009 0/000.340.9103 (u. 1)	
5	RJ-GUIDE CHAIN {GASGAS EC/XC 18-19, MR 20->} : BE42000GG-CLJ-1 0/000.710.9100 (u. 1)	
6	CHAIN SLIDER KIT {GASGAS EC/XC 18-19} : BE43015GG-CLJ-1, BE43016GG-CLJ-1, BE43017GG-CLJ-1 BE43015CT-CLJ-1 (u. 1)	
7	SCREW +WASHER 6x7 : T0806007 0/000.460.9161 (u. 2)	
8	RJ-FLANGE NUT 6926 M6 Cal.8 Z : T2206002, 0/000.340.9117 0/000.340.0170 (u. 1)	
	OBSOLETE - 0/000.340.0170 : HEX FLANGE NUT W/ NYLON INSERT M6 DIN-6926 : T2206002 0/000.340.9117 (u. 1)	OBSOLETE
9	RJ-FLANGE NUT 6926 M6 Cal.8 Z : T2206002, 0/000.340.9117 0/000.340.0170 (u. 1)	
9	RJ-MR CHAIN PROTECTION (STD) : BE44520GG-CLJ-1 0/000.220.9107 (u. 1)	
10	RJ-MR SWINGARM CAP (2018-2019) (465658) : BE43000GG-CLJ-1 0/000.410.9100 (u. 4)	
11	SPECIAL SCREW 6X55 : T0206055 0/000.460.9127 (u. 1)	
12	HEX BOLT 6x20 10.9 : T0206020/2, T0206020/3 : T0206020 0/000.460.9120 (u. 1)	
13	RJ-SWINGARM HOSE HOLDER {GASGAS EC/XC 18-19} : BE25612006, BE25612008, B240700 0/000.630.9101 (u. 2)	

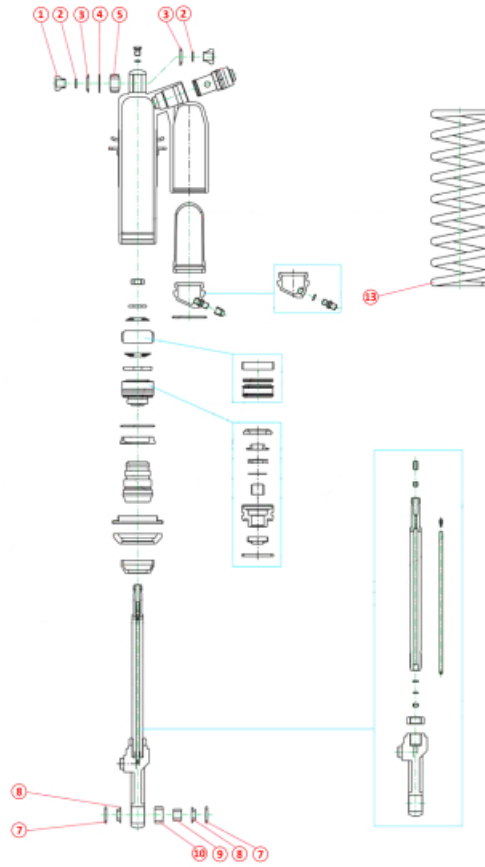
14	HEAD SCREW 5x15: T0205015/2, T0205010 : T0205015 0/000.460.9115 (u. 4)
15	WHEEL TENSOR SCREW : BFS450722212 0/000.460.9105 (u. 2)
16	M8 SELFLOCKING NUT WITH WASHER : T2208000 : T2208001 0/000.340.9118 (u. 2)
17	SPECIAL SCREW 8X35 : T0228035 0/000.460.9139 (u. 1)

SHOCK ABSORBER



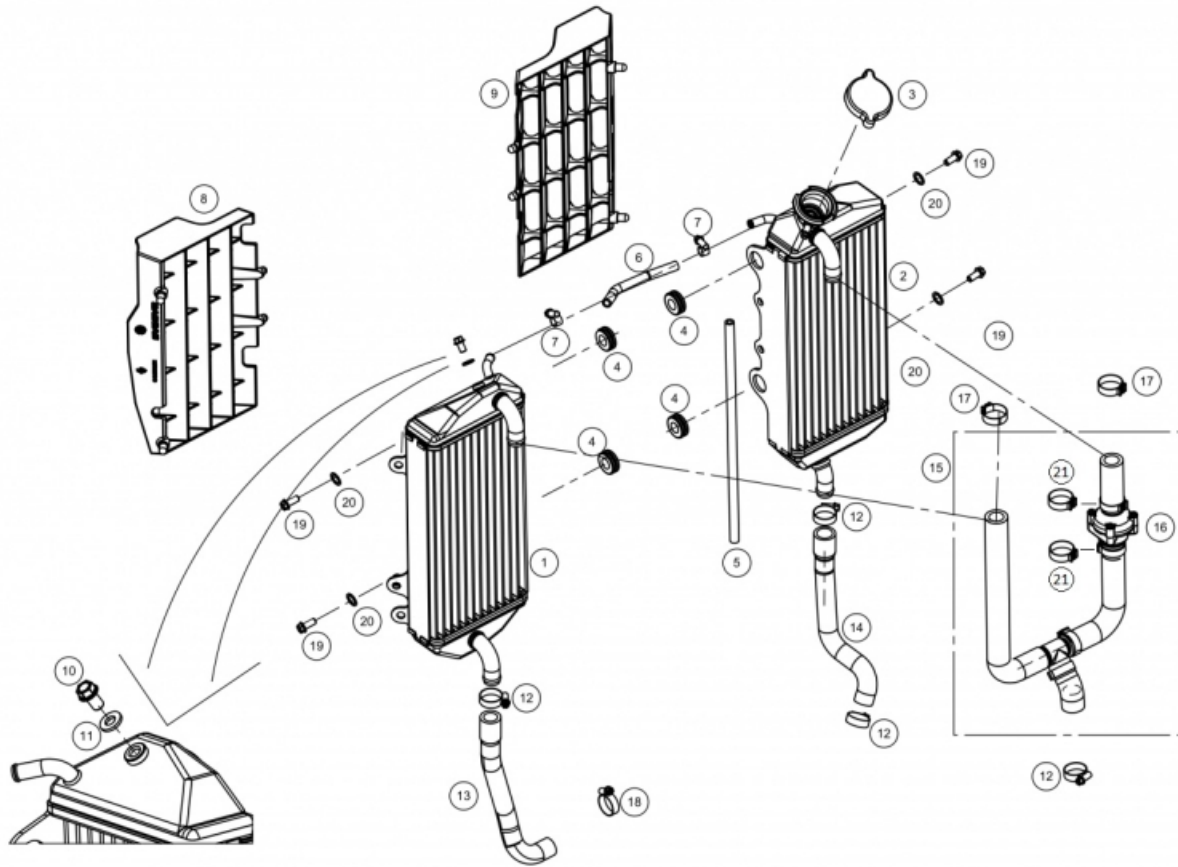
1	RJ-Linkage System, Adjustable, +7 / -31mm, RIEJU MR 21-Up 0/K00.770.9101 (u. 1)
2	RJ-MR FRAME LINKAGE AXLE BOLT 22X128 (2018-2019) : BE35001GG-CLJ-1 0/000.460.9102 (u. 1)
3	NUT M12X1.25 .ZINC DIN 6923 : T2112003, MFS400134011 0/000.340.9115 (u. 3)
5	RJ-MR ROCKER AXLE LINKAGE BOLT 22X99.5 (2018-2019) : BE35002GG-CLJ-1 0/000.460.9103 (u. 1)
6	(ENDURO) ROCKER PARTS KIT (2018-2019) BE32000CT-CLJ-1 (u. 1)
7	RJ-MR ROCKER SWINGARM AXLE BOLT 22X92.5 (2018-2019) : BE35003GG-CLJ-1 0/000.460.9104 (u. 1)
8	RJ-MR KYB SHOCK ABSORBER (RANGER) : BE30000GG-CTR-1 0/000.180.9101 (u. 1)
9	RJ-UPPER SHOCK BOLT 10x60 ISO 898-1 GEOMET 10.9 : T0210060 0/000.460.9131 (u. 1)
10	RJ-MR SHOCK AXLE INF. SCREW 20X48.5 : BE35000GG-CLJ-1 0/000.460.9107 (u. 1)
11	NUT AUTOBLOC.M10X125 DIN 985 ZINC : T21010003 0/000.340.9110 (u. 1)
12	(ENDURO) ROCKER ARM REPAIR KIT (2018-2019) BE34035CT-CLJ-1 (u. 1)

SHOCK ABSORBER



1	(ENDURO) KAYABA SUSPENSION BUSHING (2018-2019) BE20210GG-CLJ-1 (u. 1)
2	(ENDURO) KAYABA SUSPENSION BALL-JOINT O-RING BE30025GG-CLJ-1 (u. 3)
3	(ENDURO) KAYABA SUSPENSION SUPERIOR BALL-JOINT SEAL BE23295GG-CLJ-1 (u. 3)
4	(ENDURO) KAYABA SUSPENSION BALL-JOINT WASHER : BE23290GG-CLJ-1 BE232990GG-CLJ-1 (u. 1)
5	(ENDURO) KAYABA SUSPENSION SUPERIOR BALL-JOINT BE23250GG-CLJ-1 (u. 1)
7	KAYABA SUSPENSION DUST KEEPER LOWER BALL-JOINT SEAL {GASGAS EC/XC} BE23280GG-CLJ-1 (u. 2)
8	KAYABA SUSPENSION LOWER BALL-JOINT BUSHING {RIEJU MR} BE23285GG-CLJ-1 (u. 2)
9	(ENDURO) KAYABA SUSPENSION LOWER NOZZLE BEARING BE36060GG-CLJ-1 (u. 1)
10	(ENDURO) KAYABA SUSPENSION LOWER BALL-JOINT BEARING BE23300GG-CLJ-1 (u. 1)
13	(ENDURO) KAYABA SUSPENSION MUZZLE SHOCK ABSORBER 46mm 54N BE30012GG-CLJ-1 (u. 1)
	(ENDURO) KAYABA SUSPENSION MUZZLE SHOCK ABSORBER 46mm 50N BE30010GG-CLJ-1 (u. 1)
	(ENDURO) KYB SUSPENSION SPRING SHOCK ABSORBER 46 mm 52n BE30011GG-CLJ-1 (u. 1)

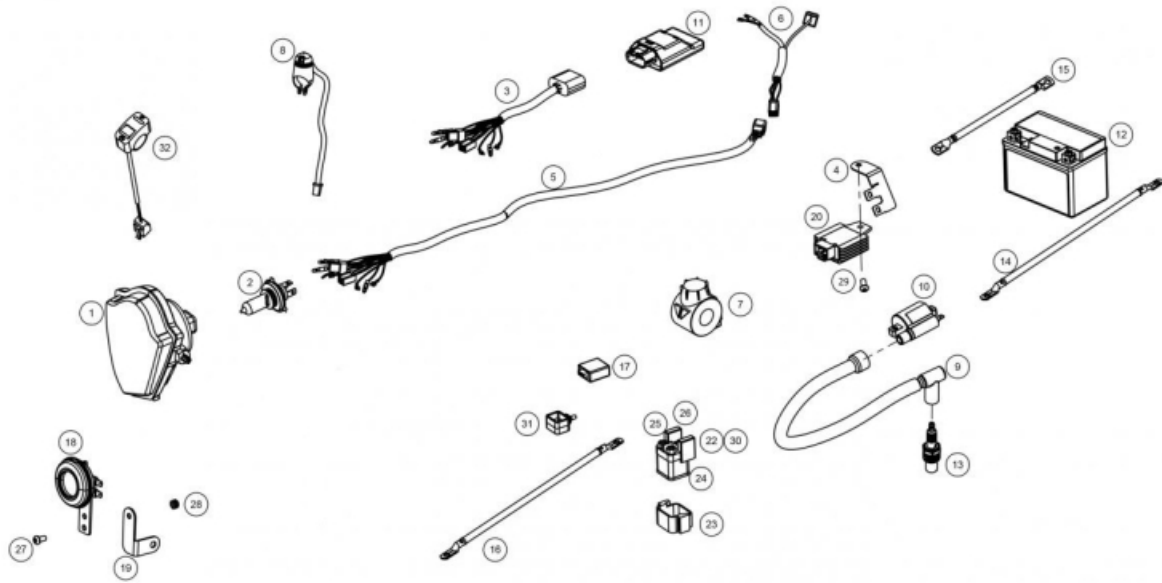
RADIATOR



1	RJ-MR (LEFT) RADIATOR (SIX-DAYS) (2019) : BE70500GG-CSK-1, 0/000.580.9101 0/000.580.9103 (u. 1)
2	RJ-MR (RIGHT) RADIATOR (SIX-DAYS) (2019) : BE70000GG-CSK-1, BE70000GG-CLJ-1 0/000.580.9102 (u. 1)
3	RJ-MR FLOWERED RADIATOR CAP 1.8 REDUCED 0/000.410.9112 (u. 1)
4	(ENDURO) RADIATOR SILENBLOCK GROMMET : G210700 BIE500132031 (u. 4)
5	RJ-MR RADIATOR BREATHER HOSE 5X8 39CM (2018-2019) : BE25632009 0/000.290.9117 (u. 1)
6	RJ-MR RADIATOR UNION HOSE (2018-2019) : BE71015GG-CLJ-1 0/000.290.9103 (u. 1)
7	TORRO COLLAR WITHOUT END (10107270010) : L200060 0/000.680.9108 (u. 2)
8	RJ-LEFT RADIATOR GRID {GASGAS EC/XC 18-19, RIEJU MR RACING/PRO 2021->} (BLACK) : BE73055GG-CLJ-1 0/000.220.9113 (u. 1)
9	RJ-RIGHT RADIATOR GRID {GASGAS EC/XC 18-19, RIEJU MR RACING/PRO 2021->} (BLACK) : BE73050GG-CLJ-1 0/000.220.9112 (u. 1)
10	FLANGE SCREW 6x10 : T0226010 0/000.460.9133 (u. 1)
11	HEAD BOLT WASHER 6x8 : ME25916002 : T4006008 0/000.440.9122 (u. 1)
12	RJ-TORRO COLLAR WITHOUT END 16-27 (10107270027) : L200059 0/000.680.9107 (u. 4)
13	RJ-MR (LEFT) RADIATOR LOWER HOSE (2018-2019) : BE71085GG-CLJ-1 0/000.290.9105 (u. 1)
14	RJ-RIGHT RADIATOR LOWER HOSE {GASGAS 18-19, RIEJU MR 20->} : BE71080GG-CAB-1 0/000.290.9104 (u. 1)

15	RADIATOR-THERMOSTAT HOSE KIT {RIEJU 2018 --->} : BE71010GG-CLJ-1 0/000.290.9118 (u. 1)
16	RJ-RADIATOR THERMOSTAT 0/001.010.9103 (u. 1) PENDING - (ENDURO) THERMOSTAT (2018-2019) BE250432070 (u. 1)
17	PENDING - HOSE CLAMP 21mm : L200040, 2108UA : L200046 0/000.680.9105 (u. 2) RJ-CLAMP 22.5-24 0/000.680.3009 (u. 2)
18	HOSE CLAMP 19mm : L200043 0/000.680.9104 (u. 1)
19	HEX FLANGE BOLT 6x14 : T0206014/2 : T0206014 0/000.460.9118 (u. 4)
20	RJ-MR WASHER 6x20x2 : ME85170GG-CAB-1 0/000.440.9112 (u. 4)
21	RJ - COBRA HOSE CLAMP 0/000.680.0567 (u. 2)

ELECTRICAL PARTS

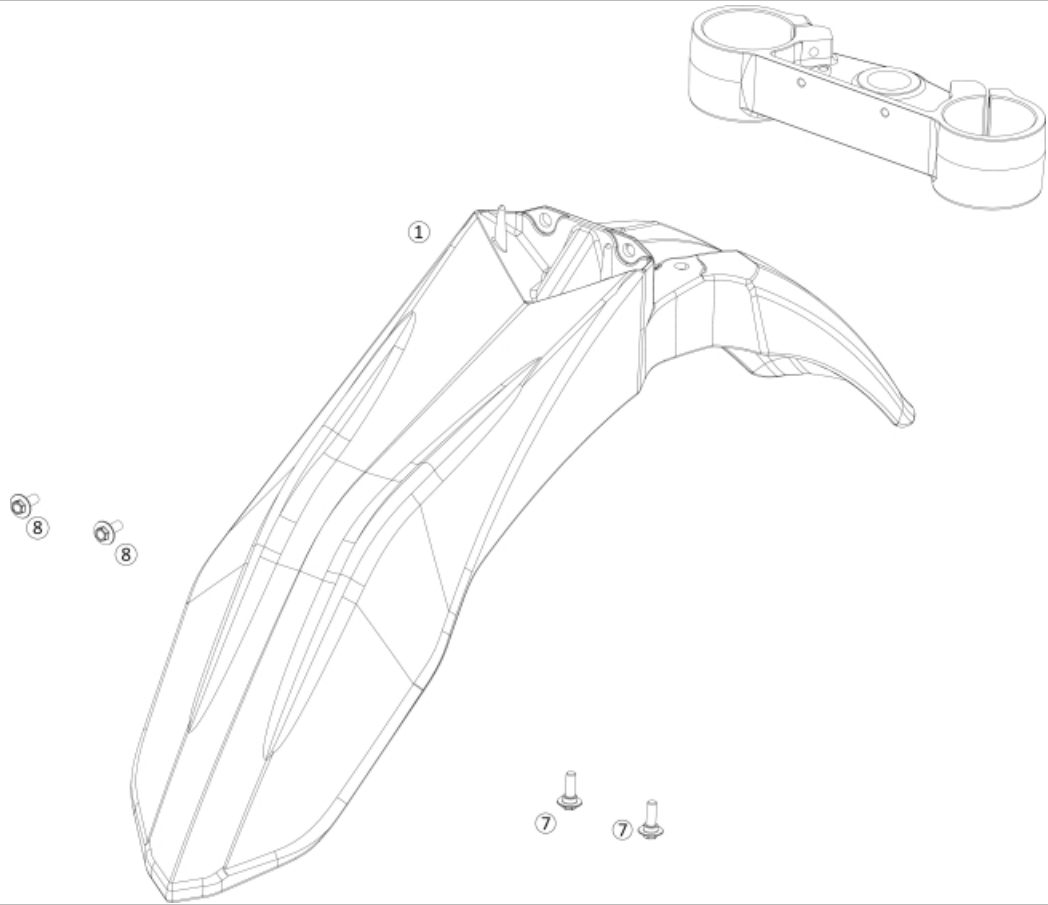


1	RJ-MR COMPLETE HEADLAMP BEAM UNIT: EE200002511 0/000.600.0270 (u. 1)
2	HS1 12V3535W HALOGEN BULB L300125 (u. 1)
3	RJ-MR CDI WIRE HARNESS (2018, 2020) : EE10000GG-CLJ-1 0/000.160.9100 (u. 1)
4	RJ-MR IGNITION CONNECTOR BRACKET (2018-2019) : EE75050GG-CLJ-1 0/000.980.9110 (u. 1)
5	RJ-GENERAL WIRE HARNESS : 0/000.160.9102, EE10010GG-CLJ-1 0/000.160.9112 (u. 1)
6	RJ-MR (REAR) TAIL LIGHT WIRE HARNESS (2018-2019) : EE30010GG-CLJ-1 0/000.160.9103 (u. 1)
7	RJ-MR EC STARTING SWITCH (2018-2019) : EE60201GG-CLJ-1 0/000.720.9101 (u. 1)
8	RJ- KILL SWITCH : ET85500GG-CGI-1 0/000.720.9102 (u. 1)
9	RJ-MR SPARK PLUG CAP NGK 5K OHM : BT280634000, BT27934000 : BE25934000 0/005.110.9100 (u. 1)
11	(ENDURO) CDI PROGRAM (RANGER) EE51100CT-CTR-1 (u. 1)
12	OBSOLETE - LITHIUM BATTERY 4.0 AH : EE40000GG-CSK-1 0/000.900.9100 (u. 1)
12	RJ-BS LITHIUM BATTERY - BSLI-02 0/000.900.9103 (u. 1)
	RJ-BS LITHIUM BATTERY - BSLI-02 0/000.900.9103 (u. 1)
13	RJ-MR SPARK PLUG DENSO W24ESRU : ME25634000, 25006012, NGK BR8EG : ME25934000 0/005.110.9101 (u. 1)
14	RJ-MR POSITIVE BATTERY CABLE (2019) : EE40015GG-CSK-1 0/000.160.9105 (u. 1)
15	RJ-MR NEGATIVE BATTERY CABLE (2018-2019) : EE40010GG-CLJ-2 0/000.160.9104 (u. 1)
16	RJ-MR STARTING MOTOR RELAY CABLE (2019) 0/000.160.9107 (u. 1)

OBSOLETE

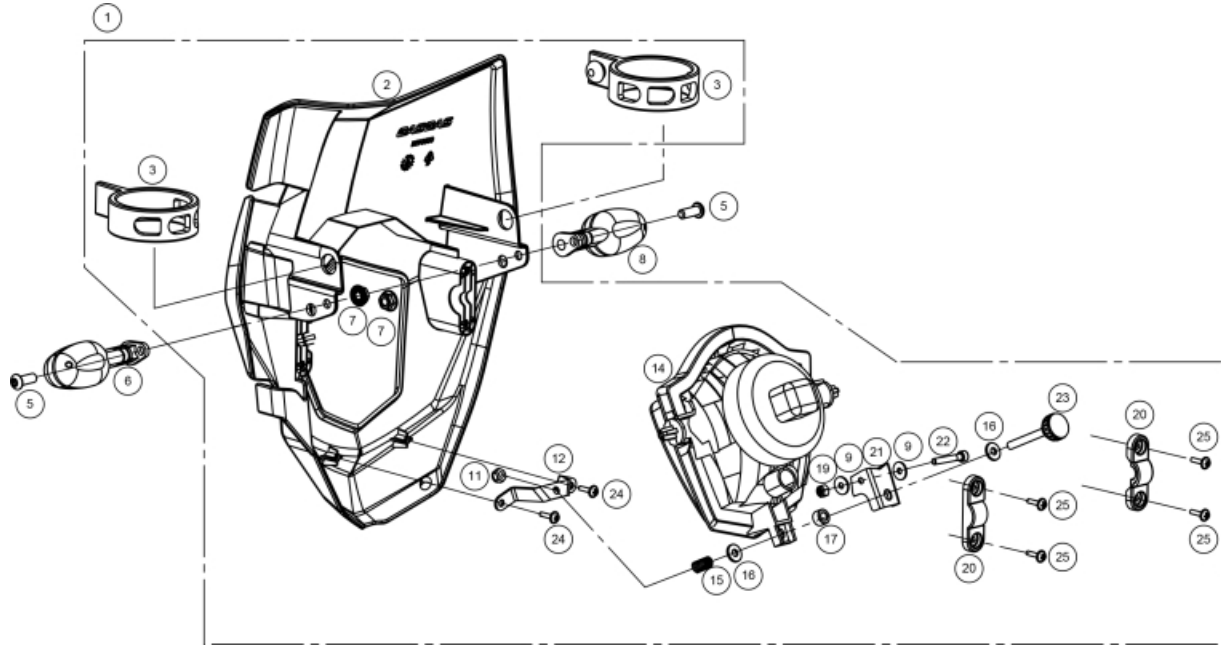
17	MODUL DIODES SHOTKY : EE80060GG-CSK-1 0/001.200.9100 (u. 1)
18	RJ-HORN CLASS II TYPE DL128J - 12V : 0/000.420.5011 0/000.420.5011 (u. 1)
19	RJ-MR HORN BRACKET (2018-2019) : EE25400GG-CLJ-1 0/000.980.9107 (u. 1)
20	REGULATOR : EE51200GG-CAB-1 0/005.070.9101 (u. 1)
22	RJ-START RELAY (RC19-005 [®]) STARTER RELAY 00020 A7343-888-00-000: BFS400134075 : BFS400134075/2 : 0/001.200.9101 : 0/001.200.9101 0/001.200.9103 (u. 1) OBSOLETE - PENDING - 0/001.200.9103 : RJ-STARTING RELAY : BFS400134075 : BFS400134075/2 0/001.200.9101 (u. 1)
	OBSOLETE
23	RUBBER BRACKET RELE STARTER FIJ.VERTICAL EE85205GG-CAK-1 (u. 1)
24	FUSE PROTECTION CAP (B4694-730-00-001) EE851052511 (u. 2)
25	RJ-WASHER DIN 6798 / J M6 Cal.A2 INOX 0/000.440.0240 (u. 2)
26	FLANGE SCREW 6x10 : T0226010 0/000.460.9133 (u. 2)
27	INOX FLANGE BOLT 6x12 : BT35000073012 0/000.460.9108 (u. 1)
28	CAGE NUT 6mm : T2606000 0/000.340.9120 (u. 1)
29	HEX FLANGE BOLT 6x14 : T0206014/2 : T0206014 0/000.460.9118 (u. 1)
30	RJ-MR FUSE 20 amp : EE40200GG-CSK-1 0/000.910.9100 (u. 2)
31	DIODES MODULE RUBBER SUPPORT : EE80065GG-CSK-1 0/000.360.9111 (u. 1)

FRONT FENDER



1	RJ-FRONT FENDER {GASGAS EC 18-19, RIEJU MR 21 →} (WHITE) : BE91004GG-CLJ-1 0/000.050.9101 (u. 1)
7	SCREW +WASHER 6x16 : T0806016 0/000.460.9100 (u. 2)
8	SCREW +WASHER 6x7 : T0806007 0/000.460.9161 (u. 2)

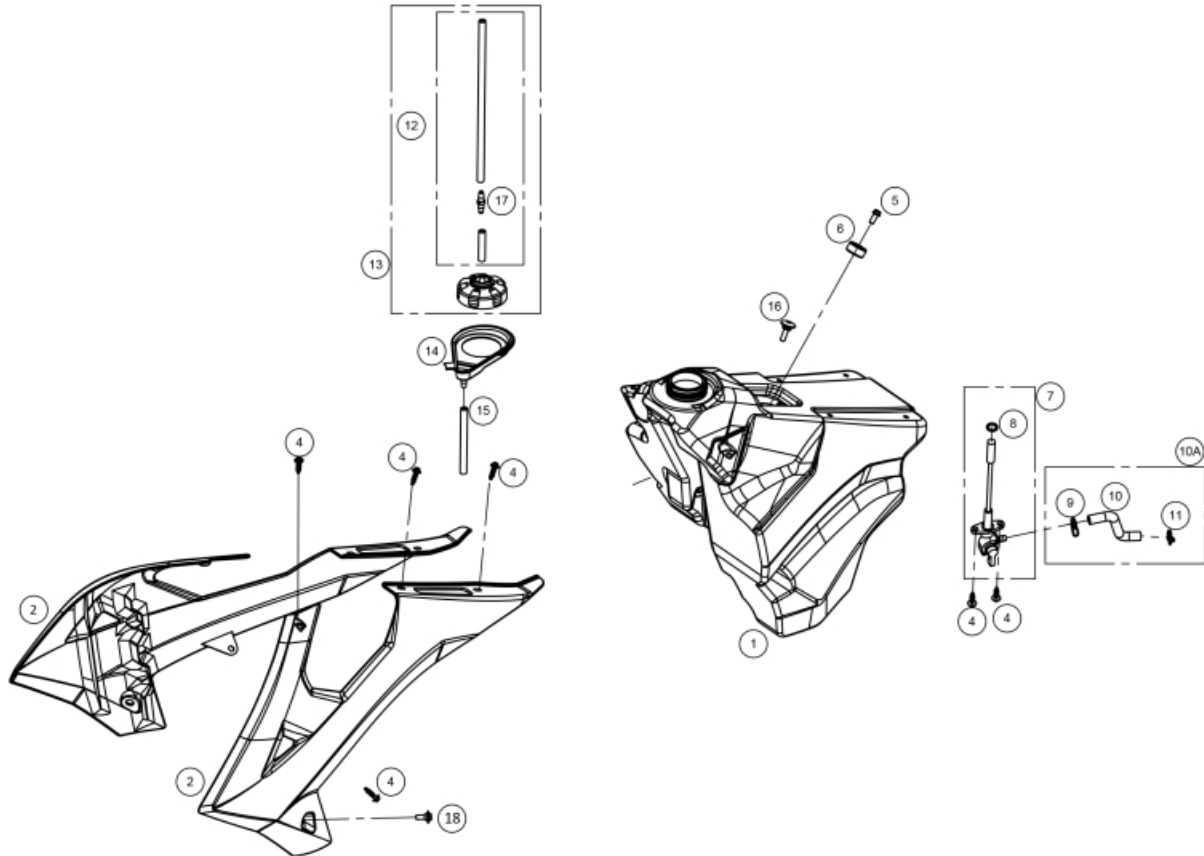
FRONT LIGHT



1	RJ-COMPLETE HEADLIGHT KIT {MR} (WHITE) 0/K00.620.9100 (u. 1)
2	RJ-MR (FRONT) EC NUMBER PLATE (WHITE) (2018-2019) : BE90500GG-CLJ-1 0/000.620.9100 (u. 1)
3	RJ-MR RUBBER HEADLIGHT HOLDER : BE25636015 0/000.360.9102 (u. 2)
5	6X16 ULS SCREW : T0506016N, T0506016N/2 0/000.460.9156 (u. 2)
6	RJ-MR (LEFT FRONT) INDICATOR : BE250634019 0/000.150.9101 (u. 1)
7	FLANGE NUT 6mm : T2306000 : T2206000 0/000.340.9116 (u. 2)
8	RJ-MR (RIGHT FRONT) INDICATOR : BE250634018 0/000.150.9100 (u. 1)
9	WASHER 4x12x1 : T4004012 0/000.440.9119 (u. 2)
11	NYLOC NUT 5mm : 25049629, 12549633 : T2105000 0/000.340.9112 (u. 1)
12	RJ-MR HEADLIGHT LIGHT BRACKET : BE90000033012 0/000.980.9103 (u. 1)
13	PLASTIC SCREW 4x10 : T0804010 0/000.460.9159 (u. 2)
14	RJ-COMPLETE HEADLAMP BEAM UNIT 0/000.600.0260 (u. 1)
15	RJ-SCREW REG LAMP SPRING : BX250020026 0/000.470.9107 (u. 1)
16	WASHER 5x12x1.5 : T4005012 0/000.440.9121 (u. 2)
17	RJ-ALUMINIUM BUSHING 55x10x6 : T90055100006M 0/000.480.9128 (u. 1)
19	NYLOC NUT 4mm : T2104000 0/000.340.9111 (u. 1)

20	RJ-PLASTIC LIGHT SUPPORT {MR} (BLACK) 0/000.980.9127 (u. 2)
	RJ-MR PLASTIC LIGHT SUPPORT (WHITE) (2012- 2019) : BE905102511 0/000.980.9104 (u. 2)
21	RJ-MR HEADLIGHT REINFORCEMENT BRACKET : EE20000013012 0/000.980.9106 (u. 1)
22	ALLEN BOLT 4x25 ZINC DIN 912 : T0304025 0/000.460.9144 (u. 1)
23	RJ-MR HEADLIGHT REGULATOR BOLT : BE35000013012 0/000.460.9106 (u. 1)
24	PLASTIC SCREW 4x10 : T0804010 0/000.460.9159 (u. 2)
25	SPECIAL PLASTIC BOLT 4x12 : T0804012 0/000.460.9160 (u. 4)

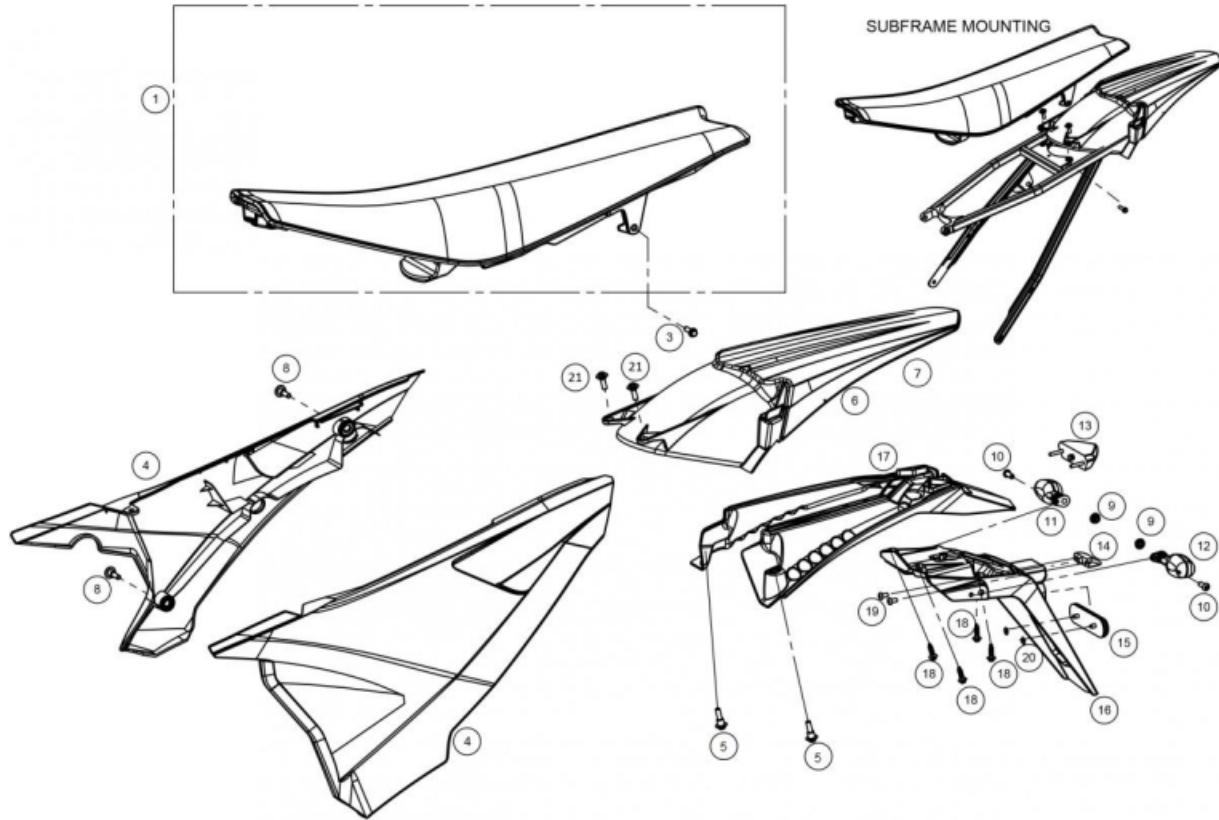
TANK



1	RJ-MR FUEL TANK (2018-2021) : BE76000GG-CLJ-1 0/000.030.9100 (u. 1)
2	RJ-RADIATOR GUARDS SET (WHITE) 0/K00.570.9107 (u. 1)
4	PENDING - T0806023 : SPECIAL SCREW THREAD PLASTIC HEXAGON CABOT WITH WASHER 6x20 T0806020 (u. 10)
5	HEX FLANGE BOLT 6x14 : T0206014/2 : T0206014 0/000.460.9118 (u. 1)
6	RJ-MR GAS TANK SILENTBLOCK GROMMET+WASHER : BE76065GG-CLJ-1 0/000.360.9105 (u. 1)
7	PETCOCK ASSEMBLY {RIEJU MR 18→} : BE76020GG-CLJ-1 0/000.370.9100 (u. 1)
8	FUEL TAP O-RING 10x25 B740120 (u. 1)
9	RJ-MR SPRING CLAMP : BE25610044 0/000.680.9102 (u. 1)
10	RJ-MR GASOLINE TUBE (STRAIGHT) (2018-2019) : BE78006GG-CLJ-1 0/000.290.9109 (u. 1)
11	RJ-MR COLLAR SPRING M-12X1.5 : BE25610046 0/000.680.9103 (u. 1)
12	RJ-MR FUEL TANK VENT HOSE 26cm : BE25636004, BT27810018, BT280310018E, G470000 : BT280310018 0/000.290.9115 (u. 1)
13	(ENDURO) GAS CAP KIT+TUBE : BE76010GG-CAB-1, BE250520010CT, BE250520010 BE76010CT-CAB-1 (u. 1)
14	REBOSADERO DEP.GASOL. : BE76050GG-CLJ-1 0/000.570.9102 (u. 1)
15	RJ-MR FUEL OVERFLOW TUBE : BE76055GG-CLJ-1 0/000.290.9107 (u. 1)

16	TORNILLO ESPECIAL ROSCA PLASTI T0806023 (u. 1)
17	(TRIALS) FUEL TANK CHECK VALVE BT27836025 (u. 1)
18	BOLT SPECIAL THREAD PLASTIC CABOTA HEXAGONAL 6X12 : T0806012 0/000.460.9101 (u. 2)

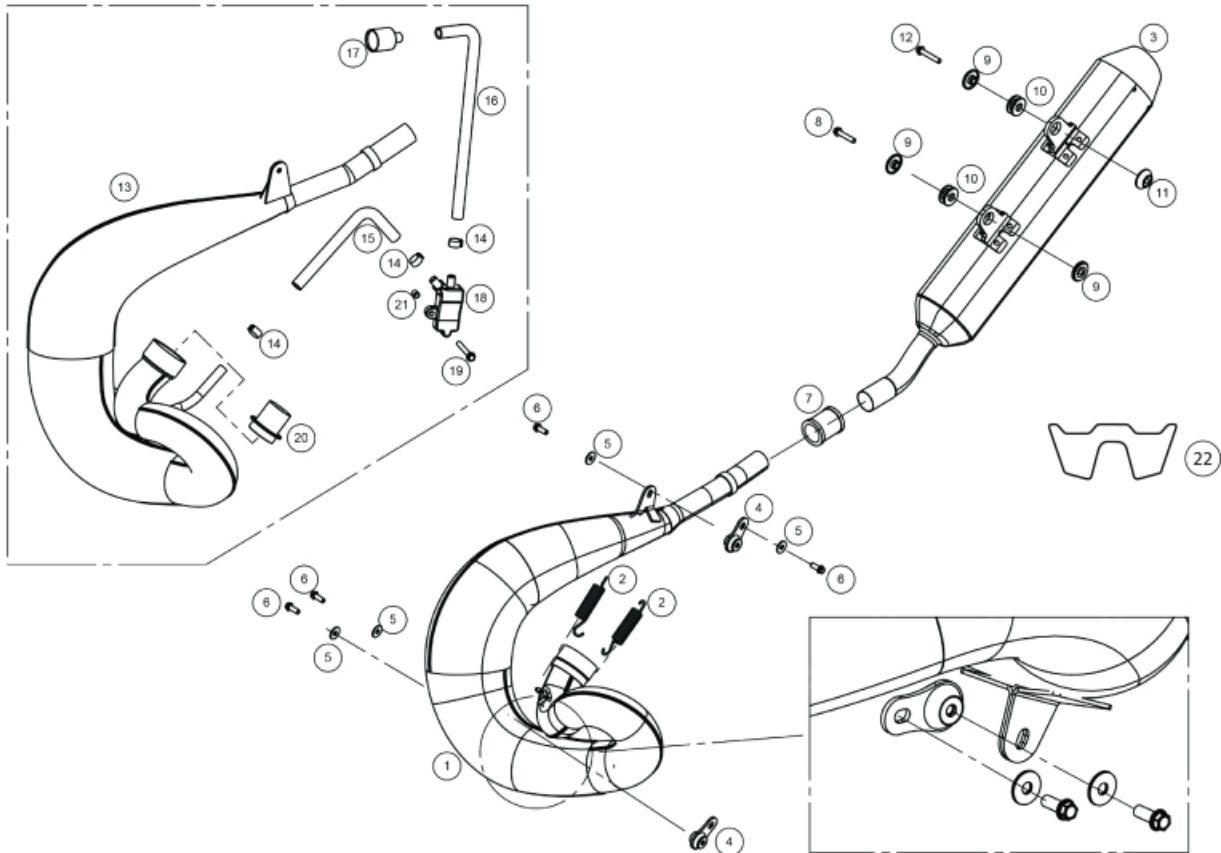
REAR FAIRING



1	RJ-SEAT COVER {MR RANGER} 0/000.040.9106 (u. 1)	
	RJ-COMPLETE LOWERED *22mm* SEAT KIT {MR RANGER 22→} 0/000.040.9104 (u. 1)	
3	FLANGE BOLT 6x25 10.9 : T0206025/2 : T0206025 0/000.460.9121 (u. 1)	
4	RJ-MR MR NUMBER PLATE SET (WHITE) 0/K00.570.9101 (u. 1)	
5	RJ-SPECIAL SCREW 6x16 WITH DRACOMET CENTERING 0/000.460.9163 (u. 2)	
6	RJ-MR (REAR) FENDER (WHITE) (2018-2019) : BE93500GG-CLJ-1 0/000.060.9100 (u. 1)	
8	SCREW +WASHER 6x16 : T0806016 0/000.460.9100 (u. 2)	
9	FLANGE NUT 6mm : T2306000 : T2206000 0/000.340.9116 (u. 2)	
10	6X16 ULS SCREW : T0506016N, T0506016N/2 0/000.460.9156 (u. 2)	
11	RJ-MR (RIGHT REAR) INDICATOR (2005-2019) : BE250134021, BE250634021 : BE250634021/2 0/000.150.9102 (u. 1)	
12	RJ-MR (LEFT REAR) INDICATOR (2005-2019) : BE250634022, BE250134022 : BE250634022/2 0/000.150.9103 (u. 1)	
	OBSOLETE - RJ - MR (REAR) LED TAIL LIGHT : EE30000GG-CLJ-1, 0/000.150.9106 0/000.150.9105 (u. 1)	OBSOLETE
13	RJ - Tail Light, LED, Rear, RIEJU 0/000.150.9106 (u. 1)	
	RJ - Tail Light, LED, Rear, RIEJU 0/000.150.9106 (u. 1)	
	RJ - Tail Light, LED, Rear, RIEJU 0/000.150.9106 (u. 1)	

14	RJ-MR (REAR) LIGHT PLATE (HD008000) (2018-2019) : BE30020GG-CLJ-1 0/000.150.9104 (u. 1)
15	CATADIOPTIC 700R ENDURO 2007 : BQ300234125 : BQ300234125/2 0/000.630.9103 (u. 1)
16	OBSOLETE - RJ-0/K00.060.5302: MR (REAR) LICENSE PLATE HOLDER 0/000.060.9102 (u. 1)
17	RJ-MR (REAR) LICENSE PLATE SUPPORT (BLACK) (2018) : BE93900GG-CLJ-1 0/000.060.9101 (u. 1)
18	PENDING - T0806023 : SPECIAL SCREW THREAD PLASTIC HEXAGON CABOT WITH WASHER 6x20 T0806020 (u. 4)
19	ULS TORX WITH ARAND.4X08 INOX (BN 10649) : T0574008 0/000.460.9158 (u. 2)
20	GRAPA 02110396 SRRM-5 CATADRIOPTICO QUAD : 0508LA : BQ300234126 0/000.440.9102 (u. 2)
21	BOLT SPECIAL THREAD PLASTIC CABOTA HEXAGONAL 6X12 : T0806012 0/000.460.9101 (u. 2)

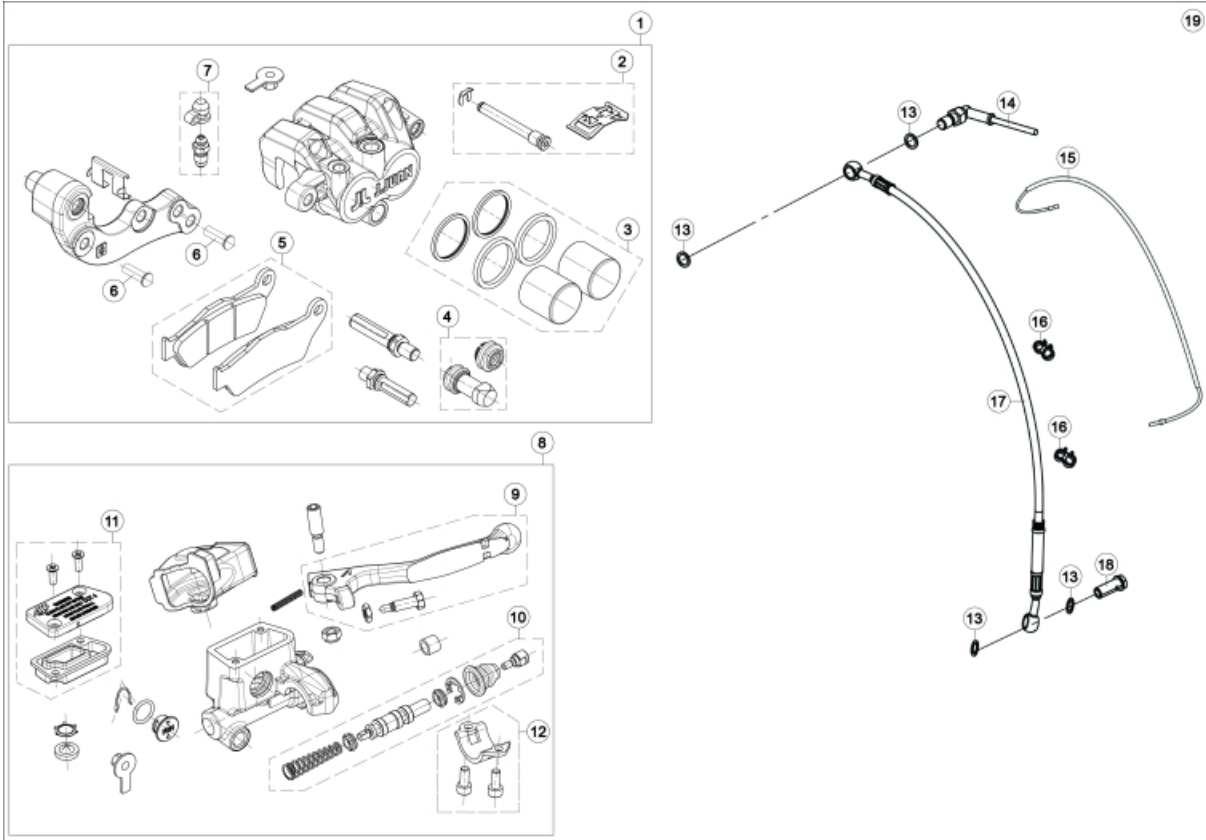
EXHAUST SYSTEM



1	RJ-MR EXHAUST (RANGER) : BE86001GG-CTR-1 0/000.290.9102 (u. 1)
2	RJ-MR EXHAUST PIPE SPRING (2016-2019) : BE25610042 : BE86050GG-EKF-1 0/000.470.9106 (u. 2)
3	RJ-MR FINAL SILENCER (RANGER) : BE87000GG-CTR-1 0/000.870.9100 (u. 1) RJ-FIBER FOR SILENCER (MR RANGER) 0/000.870.9106 (u. 1)
4	RJ-MR EXHAUST SILENBLOCK (2018-2019) : BE86055GG-CEQ-1 0/000.360.9107 (u. 2)
5	WASHER 6x18x1.5 : T4006018 0/000.440.9126 (u. 4)
6	HEX FLANGE SCREW 6x16 : T0206016/2, T0106016N, T0106016, BE25618032, BE250018029 : T0206016 0/000.460.9119 (u. 4)
7	RJ-MR EXHAUST RUBBER GASKET : C280705, BE25626003 0/000.490.9103 (u. 1)
8	ALLEN BOLT 6X30 : BE250114144 : T0206030 0/000.460.9123 (u. 1)
9	RJ-MR BUSH SILENCER (SHORT) (2018-2019) : BE87301GG-CLJ-1 0/000.480.9115 (u. 3)
10	RJ-MR EXHAUST PIPE SILENBLOCK : BE86055GG-CLJ-1 0/000.360.9108 (u. 2)
11	RJ-MR MUFFLER LONG BUSHING (2018-2019) : BE87300GG-CLJ-1 0/000.480.9114 (u. 1)
12	SPECIAL BOLT 6x35 : T0206035 0/000.460.9124 (u. 1)

13	(ENDURO) HOMOLOGATE EXHAUST (RANGER) BE86000GG-CTR-1 (u. 1)
	RJ-MR EXHAUST PIPE (HOMOLOGATED) (2018-2019) : BE86000GG-CLJ-1 0/000.290.9113 (u. 1)
14	CLAMP 15 (COBRA15/8 W4) : L200053 0/000.680.9106 (u. 3)
15	RJ-MR EXHAUST RUBBER VALVE FILTER TUBE (HOMOLOGATED) : BE785502509 0/000.290.9110 (u. 1)
16	RJ-MR EXHAUST TO VALVE RUBBER TUBE (HOMOLOGATED) : BE785551209 0/000.290.9111 (u. 1)
17	SECONDARY AIR FILTER BT280626059 (u. 1)
18	RJ-MR EXHAUST AIS VALVE (HOMOLOGATED) : BE785652509 0/000.640.9100 (u. 1)
19	HEAD SCREW 6x60 : T0206060 0/000.460.9128 (u. 1)
20	RJ-MR EXHAUST CATALIZER (HOMOLOGATED) : BE250226250 0/001.600.9100 (u. 1)
21	LOAD LIMITER BUSH : ME250036019 0/000.980.9112 (u. 1)

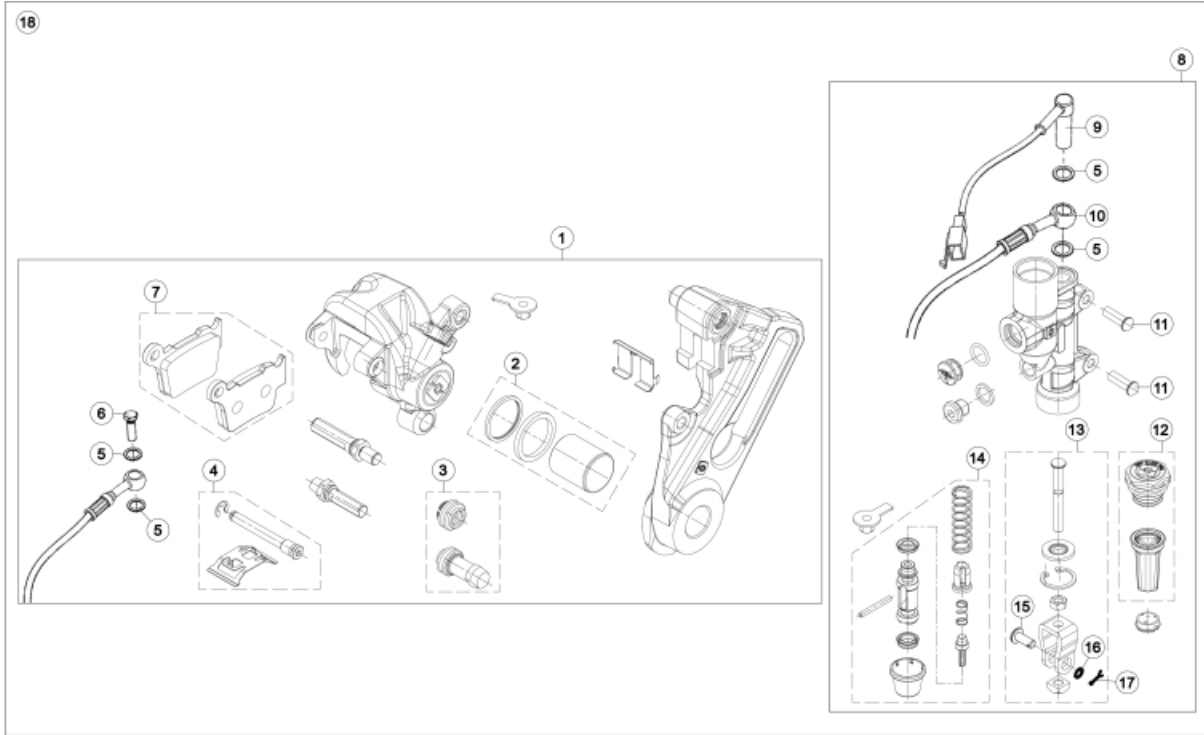
FRONT BRAKE



1	(ENDURO) (FRONT) BRAKE CALIPER (RANGER) BE62000GG-CTR-1 (u. 1)	
2	RJ-MR RANGER FRONT BRAKE PAD PIN BE62020GG-CTR-1 (u. 1)	
3	(ENDURO) (REAR) BRAKE CALIPER PISTON (200cc) BE67560GG-CTR-1 (u. 1)	
4	OBSOLETE - BE67580GG-CTR-1 :RJ-MR RANGER BRAKE CALIPER PIN KIT BE62030GG-CTR-1 (u. 1)	OBSOLETE
5	RJ-FRONT BRAKE PADS (RIEJU MR RANGER) BE62500GG-CTR-1 (u. 1)	
6	SCREW ESP.8X30 : T0228030 0/000.460.9138 (u. 2)	
7	RJ-MR RANGER FRONT BRAKE CALIPER BLEEDER KIT BE62040GG-CTR-1 (u. 1)	
8	(ENDURO) (FRONT) BRAKE PUMP (RANGER) BE61000CT-CTR-1 (u. 1)	
9	(ENDURO) (FRONT) BRAKE LEVER (RANGER) BE61300GG-CTR-1 (u. 1)	
10	(ENDURO) (FRONT) BRAKE PUMP REPAIR KIT (RANGER) BE61405GG-CTR-1 (u. 1)	
11	(ENDURO) (FRONT) BRAKE COVER REPAIR KIT (RANGER) BE61010GG-CTR-1 (u. 1)	
12	(ENDURO) HANDLEBAR FLANGE BRACKET (RANGER) BE61350GG-CTR-1 (u. 1)	
13	RJ-CLUTCH HOSE WASHER 10x4x1 : R330700 BE25622007 (u. 4)	
14	RJ-INTERRUPTOR 23-016/1 STOP BOMBA NISSIN 3 0/000.720.9104 (u. 1)	

15	RJ-MR MULTI-FUNCTION HOSE TT : BE250634050 0/001.010.9100 (u. 1)
16	SPEEDO CABLE HOLDER CLIP : EE650202508 0/000.630.9104 (u. 2)
17	(ENDURO) (FRONT) BRAKE HOSE (RANGER) BE61100GG-CTR-1 (u. 1)
18	HOSE HOLDER BOLT 10x125 : BE25622030 BC25722006 (u. 1)
19	RJ-MR (FRONT) BRAKE SET (RANGER) : BE60000CM-CTR-1 0/000.820.9102 (u. 1)

REAR BRAKE



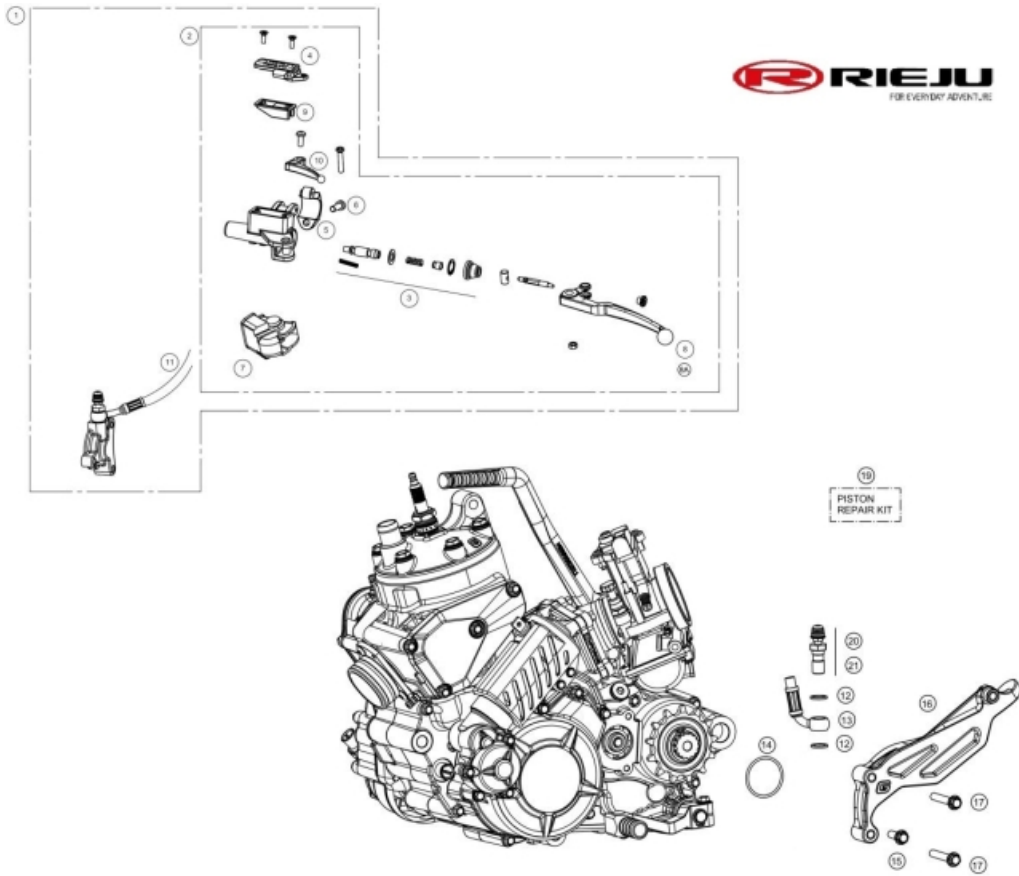
1	(ENDURO) COMPLETE BRAKE CALIPER (RANGER) BE67000GG-CTR-1 (u. 1)
2	(ENDURO) (REAR) BRAKE REPAIR KIT BE67120GG-CTR-1 (u. 1)
3	RJ-MR RANGER COMPLETE REAR BRAKE CALIPER DUST GUARD, BE62030GG-CTR-1 BE67580GG-CTR-1 (u. 1)
4	RJ-MR RANGER REAR BRAKE PAD PIN BE67495GG-CTR-1 (u. 1)
5	RJ-CLUTCH HOSE WASHER 10x4x1 : R330700 BE25622007 (u. 4)
6	HOSE HOLDER BOLT 10x125 : BE25622030 BC25722006 (u. 1)
7	RJ-REAR BRAKE PADS (RIEJU MR RANGER) BE67500GG-CTR-1 (u. 1)
8	(ENDURO) (REAR) BRAKE PUMP (RANGER) BE66000CT-CTR-1 (u. 1)
9	RJ-INTERRUPTOR 23-016/1 STOP BOMBA NISSIN 3 0/000.720.9104 (u. 1)
10	(ENDURO) (REAR) BRAKE HOSE (RANGER) BE66100GG-CTR-1 (u. 1)
11	HEX FLANGE SCREW 6x16 : T0206016/2, T0106016N, T0106016, BE25618032, BE250018029 : T0206016 0/000.460.9119 (u. 2)
12	(ENDURO) (REAR) BRAKE PUMP REPAIR KIT BE66005GG-CTR-1 (u. 1)
13	(ENDURO) (REAR) BRAKE STRAP (RANGER) BE66050GG-CTR-1 (u. 1)
14	(ENDURO) REAR BRAKE PUMP KIT BE66025GG-CTR-1 (u. 1)
15	RJ-MR (REAR) BRAKE PEDAL PIN 8x20 : BE25622026 0/000.840.9101 (u. 1)
16	RJ-FLAT WASHER 8x16 : T4008017, T4008016 0/000.440.0160 (u. 1)

2023 - MR 200 RANGER USA WHITE



17	RJ-MR (REAR) BRAKE PEDAL PIN STOPPER 2x20 : BE25622027 0/000.840.9102 (u. 1)
18	RJ-MR (REAR) BRAKE SET (RANGER) : BE65000CM-CTR-1 0/000.820.9103 (u. 1)

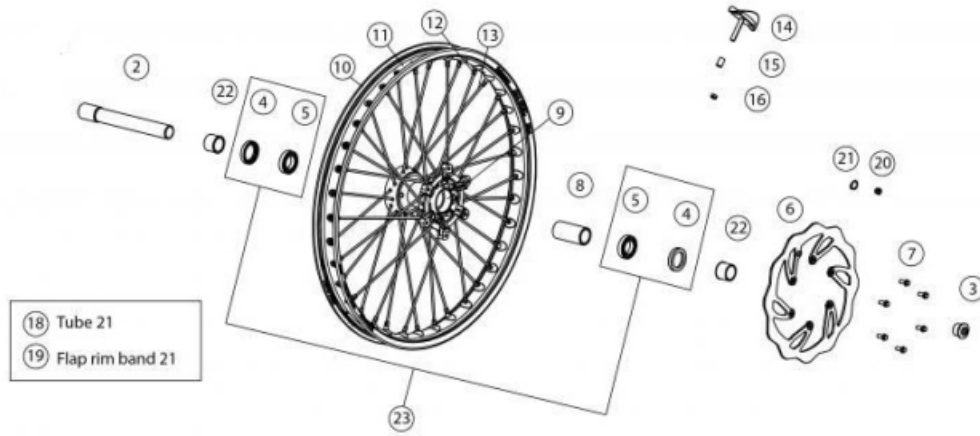
CLUTCH CONTROL



1	RJ-MR COMPLETE MAGURA CLUTCH PUMP, 9.5 (167) (2018-2019) : BE45000003011 : ME250632026 0/000.830.9101 (u. 1)
2	MAGURA MASTER CYLINDER UPGRADE *200,250,300cc* (GASGAS 01-19) BE45000013011 (u. 1)
3	(ENDURO) CLUTCH PISTON KIT 9.5mm (0723184) BE45000043011 (u. 1)
4	(ENDURO) CLUTCH MINERAL OIL COVER (0723164) BE45000053011 (u. 1)
5	RJ-CLUTCH PUMP COVER 167.2 (BLACK) 0/000.350.9119 (u. 1)
6	(ENDURO) CLUTCH HOLDER CLAMP BE45000063011 (u. 1)
7	HEX BOLT 6x20 10.9 : T0206020/2, T0206020/3 : T0206020 0/000.460.9120 (u. 1)
8	(ENDURO) CLUTCH DUST SHIELD BE45000093011 (u. 1)
8A	(ENDURO) LONG CLUTCH LEVER (MAGURA) (2011-2019) BE45000033011 (u. 1)
8	(ENDURO) SHORT CLUTCH LEVER (MAGURA) BE45000023011 (u. 1)
9	RJ-CLUTCH PUMP COVER 167.2 (BLACK) 0/000.350.9119 (u. 1) OBSOLETE - CLUTCH MINERAL OIL MEMBRANE (0723162) 0/000.350.9119 BE45000103011 (u. 1)
	OBSOLETE
10	(ENDURO) CHOKE LEVER (2011-2019) BE45000073011 (u. 1)
11	CLUTCH HOSE (GASGAS) : BE25622003, R310705 BE250522003 (u. 1)

12	RJ-CLUTCH HOSE WASHER 10x4x1 : R330700 BE25622007 (u. 2)	
13	CLUTCH HOSE {GASGAS} : BE25622003, R310705 BE250522003 (u. 1)	
14	(ENDURO) CLUTCH PUMP O-RING ME25632024 (u. 1)	
15	HEX BOLT 6x20 10.9 : T0206020/2, T0206020/3 : T0206020 0/000.460.9120 (u. 1)	
16	CHAIN SLIDER KIT {GASGAS EC/XC 18-19} : BE43015GG-CLJ-1, BE43016GG-CLJ-1, BE43017GG-CLJ-1 BE43015CT-CLJ-1 (u. 1)	
17	HEAD SCREW 6x50 : T0206050 0/000.460.9126 (u. 2)	
18	OBSOLETE - 0/000.830.9101 (ENDURO) CLUTCH BOMBIN 550.00.006C (2014-2019) : BE250622050 ME250632026 (u. 1)	OBSOLETE
19	OBSOLETE - 0/000.830.9101 (ENDURO) CLUTCH BOMBIN 550.00.006C (2014-2019) : BE250622050 ME250632026 (u. 1)	OBSOLETE
20	BLEEDER CAP : BE25622055, R234001 BT27922055 (u. 1)	
21	REAR BRAKE CALIPER BLEEDER {GASGAS 00-19} BE25622060 (u. 1)	

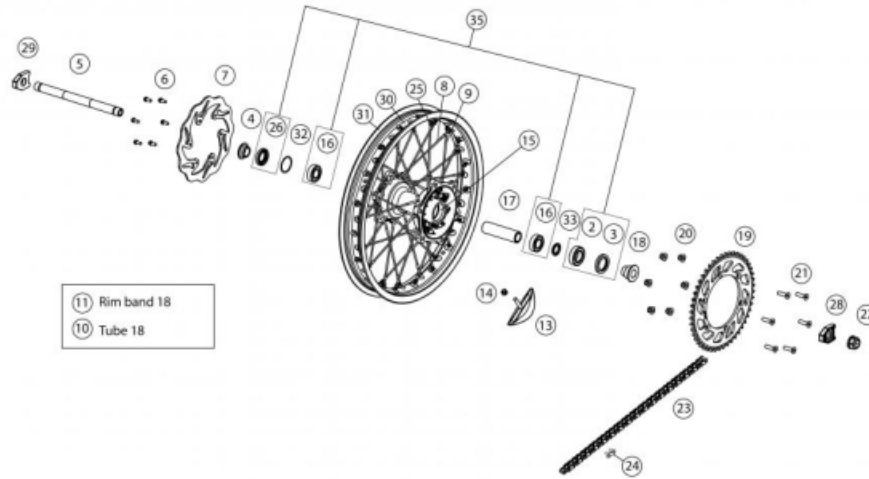
FRONT WHEEL



2	RJ-FRONT AXLE INNER SCREW {RIEJU MR 22} 0/000.460.9166 (u. 1)
	RJ-MR (FRONT) WHEEL AXLE 208CM (2011-CURRENT) : BE53000R3011 0/000.190.9102 (u. 1)
3	RJ-MR (FRONT) WHEEL AXLE BOLT (2007-2019) : BE250718026 0/000.340.9100 (u. 1)
4	FRONT WHEEL GASKET {GASGAS EC/XC} BE250418057 (u. 2)
5	(ENDURO) (FRONT) WHEEL BEARING ME120136055 (u. 2)
6	FRONT BRAKE DISC 260mm {RIEJU MR}: BE520002509 : BE52000GG-CLJ-1 : 0/001.090.9105 : BE52000N3011 0/001.090.9107 (u. 1)
7	BOLT 0.6x14 : T0246014 0/000.460.9142 (u. 6)
8	RJ-MR FRONT WHEEL SPACER BE250418058 (u. 1)
9	RJ-FRONT WHEEL HUB {GASGAS 14-19/RIEJU 20} BE54110GG-CAB-1 (u. 1)
10	RJ - Rim, Front, 21" x 1.6", Anodized, Black, RIEJU 0/000.230.9104 (u. 1)
11	RJ-FRONT WHEEL 1.6x21 {MR RANGER} 0/000.110.9102 (u. 1)
12	FRONT WHEEL SPOKE NUT {GASGAS EC/XC} BE542503013 (u. 36)
13	(ENDURO) (FRONT) WHEEL SPOKE (SILVER) BE542003013 (u. 36)
14	RJ-MR (FRONT) TIRE HOLDER : BE505002509 0/000.220.9114 (u. 1)
15	RJ-MR (FRONT) WHEEL HOLDING BUSHING 8X12X12 : BE250518048/2, BE250518048 : BE555102510 0/000.480.9112 (u. 1)

16	NYLOC NUT 8mm : T2108001, T2108001/2 0/000.340.9114 (u. 1)
18	RJ-MR (FRONT) TIRE AIR HOSE 21 METZELER : BE25618001, BE25618001/2, N120700, N120000, N120000/2 : BE502002511 0/000.520.9100 (u. 1)
19	RJ-MR (FRONT) TIRE RIM BAND : BE25618028, N100000, N100000/2 : BE503002511 0/000.220.9108 (u. 1)
20	RJ-MR (FRONT) WHEEL MAGNET (2018-2019) : BE520502510 0/001.010.9101 (u. 1)
21	RJ-MR (FRONT) WHEEL SEGEER A 9 DIN 471 MAGNET BRACKET (2018-2019) : BE520602510 0/000.300.9100 (u. 1)
22	RJ-MR FRONT WHEEL SPACER INSIDE BRAKE DISC : BC250418019 0/000.480.9100 (u. 1)
23	(ENDURO) (FRONT) WHEEL BEARINGS & SEALS KIT BE51000CT2510 (u. 1)

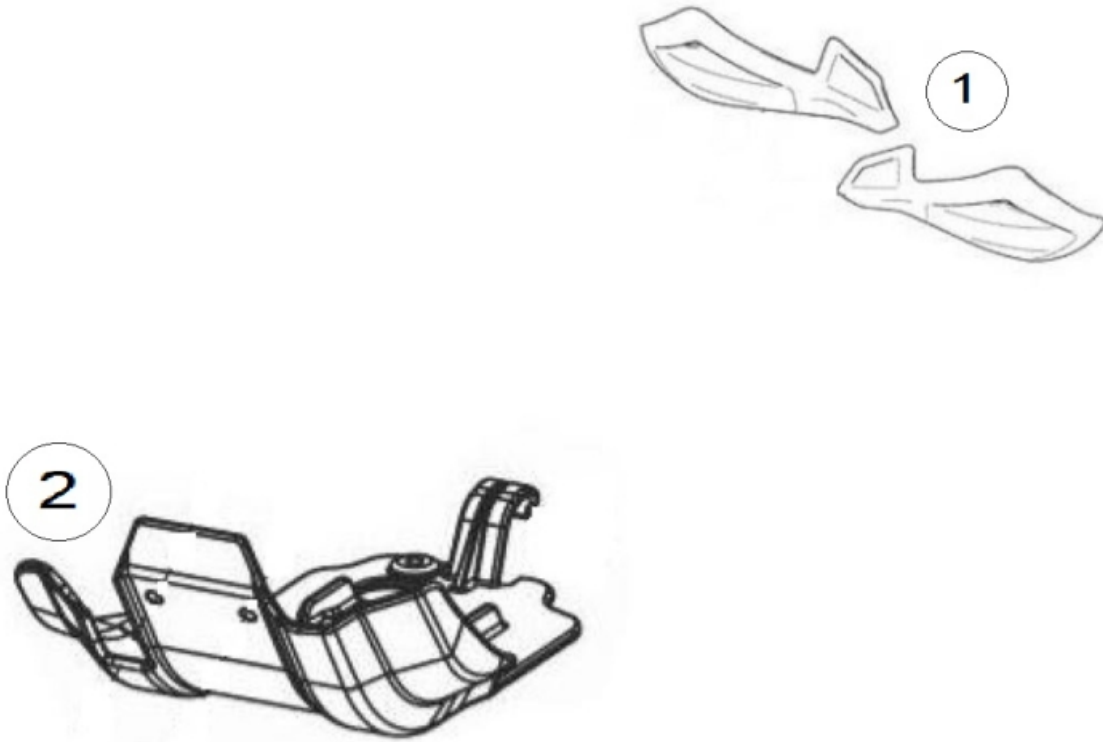
REAR WHEEL



2	WHEEL BEARING {GASGAS EC/XC 04-19} BE250318054 (u. 1)	
3	(ENDURO) (REAR) WHEEL SEAL BE250318055 (u. 1)	
4	RJ-REAR SHORT WHEEL SPACER : R600701 : BE250018025 0/000.480.9104 (u. 1)	
5	RJ-WHEEL AXLE {GASGAS 18-19} : BE58000GG-CLJ-1 0/000.190.9103 (u. 1)	
6	HEX FLANGE BOLT 6x14 : T0206014/2 : T0206014 0/000.460.9118 (u. 6)	
7	OBSOLETE - REAR BRAKE DISC FLOR EC 2010 0/001.090.9102 (u. 1)	OBSOLETE
	RJ-REAR BRAKE DISC {GASGAS EC/XC 18-19} 0/001.090.9108 (u. 1)	
8	REAR WHEEL SPOKE 192x4.5 *BRAKE SIDE 18** {GASGAS} (SILVER) BE59200GG-CLJ-1 (u. 18)	
9	REAR WHEEL SPOKE 188x4.5 (SILVER) (CROWN SIDE 18") {GASGAS EC/XC} BE59210GG-CLJ-1 (u. 18)	
10	RJ-MR (REAR) AIR HOSE ME-CR18F NHS M/CV1-09-1 : BE25618004, N180705 : BE552002511 0/000.520.9102 (u. 1)	
11	RJ-MR (REAR) WHEEL RIM BAND : BE25618003, N160700 : BE553002511 0/000.220.9110 (u. 1)	
13	RJ-MR (REAR) TIRE HOLDER (2001-2019) : R520003, BE25618008/3, BE25618008, BE250218008 : BE555002509 0/000.220.9115 (u. 1)	
14	NYLOC NUT 8mm : T2108001, T2108001/2 0/000.340.9114 (u. 1)	
15	(ENDURO) (REAR) WHEEL HUB BE59100GG-CLJ-1 (u. 1)	

16	WHEEL BEARING : C160700 C160001 (u. 2)
17	(ENDURO) (REAR) WHEEL HUB SPACER (2018-2019) BE59105GG-CLJ-1 (u. 1)
18	RJ-MR (LEFT REAR) WHEEL BUSHING (2018-2019) : BE58110GG-CLJ-1 0/000.480.9113 (u. 1)
19	RJ-MR REAR 48 TOOTH SPROCKET {GASGAS 01->} : BE250418034/3, BE25618034N, BE250418034N, BE250418034, BC25718024, 00060062-0 : BE573002511 0/000.500.9101 (u. 1)
	RJ-MR REAR 49 TOOTH SPROCKET (2001-->) : BC25818024 0/000.500.9100 (u. 1)
	RJ-MR REAR 50 TOOTH SPROCKET (2001-->) : BE57300GG-CAF-1 0/000.500.9102 (u. 1)
20	RJ-M8 NUT 0/000.340.0180 (u. 6)
21	C/SUNK ALLEN BOLT 8X30 : BE25618030 : T0408030 0/000.460.9153 (u. 6)
22	RJ-REAR WHEEL NUT {GASGAS EC/XC 18-19} : BE58020GG-CLJ-1 : BE25618023 0/000.340.9104 (u. 1)
23	CHAIN (520/135 RH2) 112 STEPS WITH CLIP (WITHOUT RETENES) : BE57800GG-CTR-1 0/001.050.9101 (u. 1)
24	RJ-CHAIN HITCH 520 RXP 0/001.050.9111 (u. 1)
25	(ENDURO) (REAR) WHEEL SPOKE NUT BE592153013 (u. 36)
26	FRONT WHEEL GASKET {GASGAS EC/XC 01-19} C160710 (u. 1)
28	RJ-MR (RIGHT) TENSOR CHAIN (2018-2019) : BE44001GG-CLJ-1 0/000.380.9100 (u. 1)
29	RJ-MR (LEFT) CHAIN TENSOR (2018-2019) : BE44002GG-CLJ-1 0/000.380.9101 (u. 1)
30	RJ-REAR WHEEL 2.15x18 {MR RANGER} 0/000.120.9102 (u. 1)
31	RJ - Rim, Rear, 18" x 2.15", Anodized, Black, RIEJU 0/000.230.9105 (u. 1)
32	O-RING D42 {GASGAS EC/XC} BE25618038 (u. 1)
33	(ENDURO) (REAR) WHEEL INTERIOR HUB WASHER : BE555012509 BE250318056 (u. 1)
35	(ENDURO) (REAR) WHEEL BEARINGS & SEALS KIT BE56000CT2510 (u. 1)

ACCESSORIES



2 RJ-RANGER SKID PLATE
0/R00.220.9100 (u. 1)

STICKERS

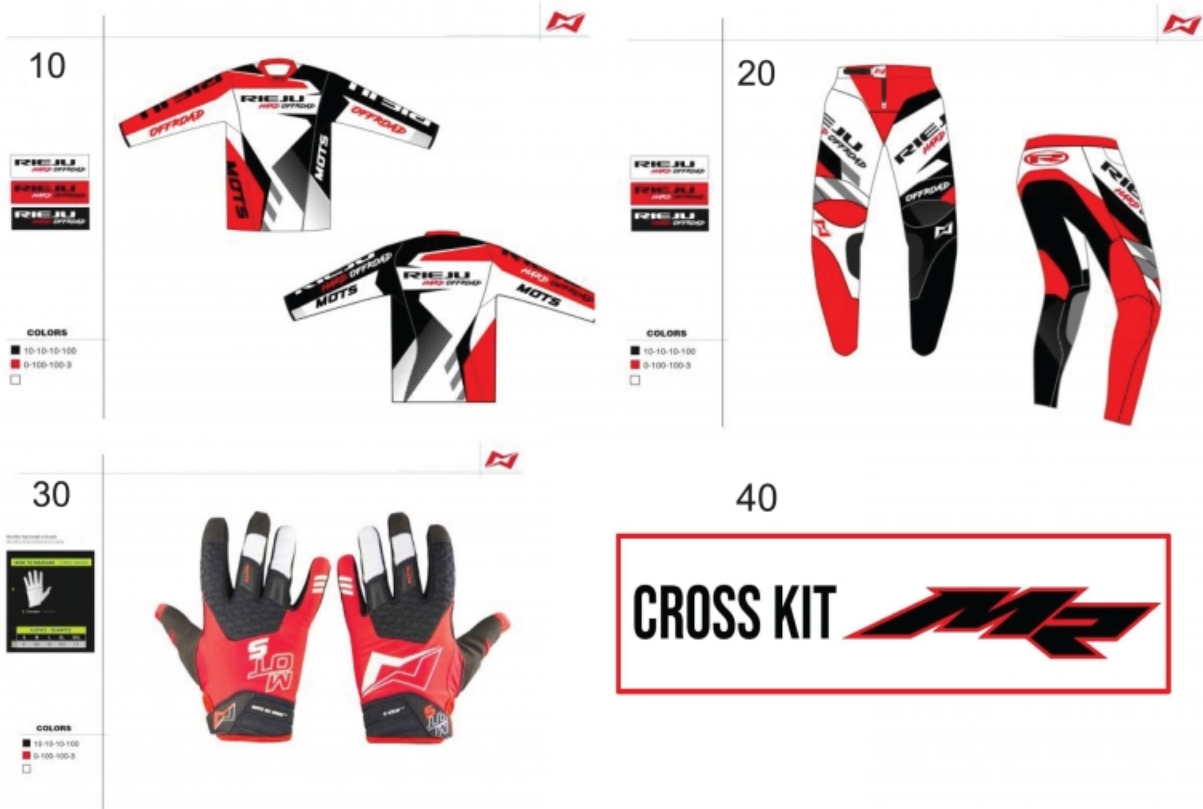
0/000.390.9132 JUEGO CALCAS MR RANGER 2022



1

RJ-DECAL SET *MR RANGER 22*
0/000.390.9132 (u. 1)

ACCESSORIES



RIEJU JERSEY HARD OFF ROAD 2021 (XL)
0/000.001.0273 (u. 1)

RIEJU JERSEY HARD OFF ROAD 2021 (SM)
0/000.001.0270 (u. 1)

10 RIEJU JERSEY HARD OFF ROAD 2021 (MD)
0/000.001.0271 (u. 1)

RIEJU JERSEY HARD OFF ROAD 2021 (XXL)
0/000.001.0274 (u. 1)

RIEJU JERSEY HARD OFF ROAD 2021 (LG)
0/000.001.0272 (u. 1)

RIEJU PANTS HARD OFF ROAD 2021 (XXL)
0/000.001.0279 (u. 1)

RIEJU PANTS HARD OFF ROAD 2021 (SM)
0/000.001.0275 (u. 1)

20 RIEJU PANTS HARD OFF ROAD 2021 (LG)
0/000.001.0277 (u. 1)

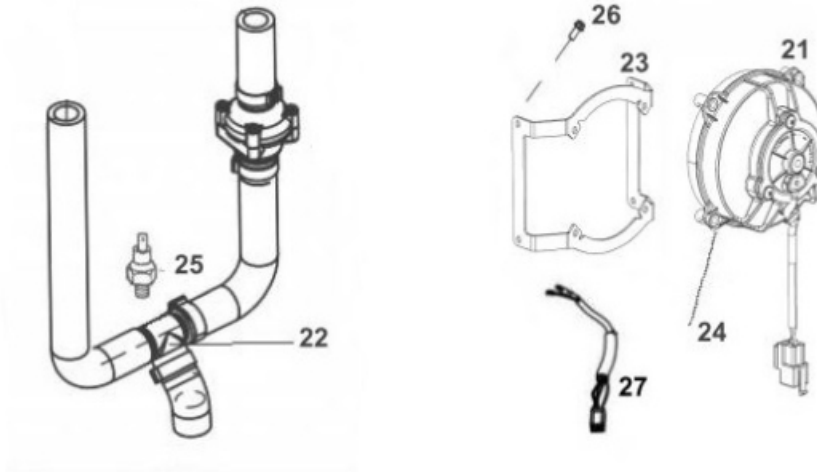
RIEJU PANTS HARD OFF ROAD 2021 (MD)
0/000.001.0276 (u. 1)

RIEJU PANTS HARD OFF ROAD 2021 (XL)
0/000.001.0278 (u. 1)

	Gloves, Hard Off-Road, 2021, Red, MOTS Rieju (SM) 0/000.001.0280 (u. 1)
	Gloves, Hard Off-Road, 2021, Red, MOTS Rieju (XXL) 0/000.001.0284 (u. 1)
30	Gloves, Hard Off-Road, 2021, Red, MOTS Rieju (LG) 0/000.001.0282 (u. 1)
	Gloves, Hard Off-Road, 2021, Red, MOTS Rieju (MD) 0/000.001.0281 (u. 1)
	Gloves, Hard Off-Road, 2021, Red, MOTS Rieju (XL) 0/000.001.0283 (u. 1)
40	RJ-MR XC DECAL KIT (EC CONVERTED) BE99996CT-CMV-1 (u. 1)

ELECTRICAL FAN

**28 = 21, 22, 23, 24,
25, 26, 27**



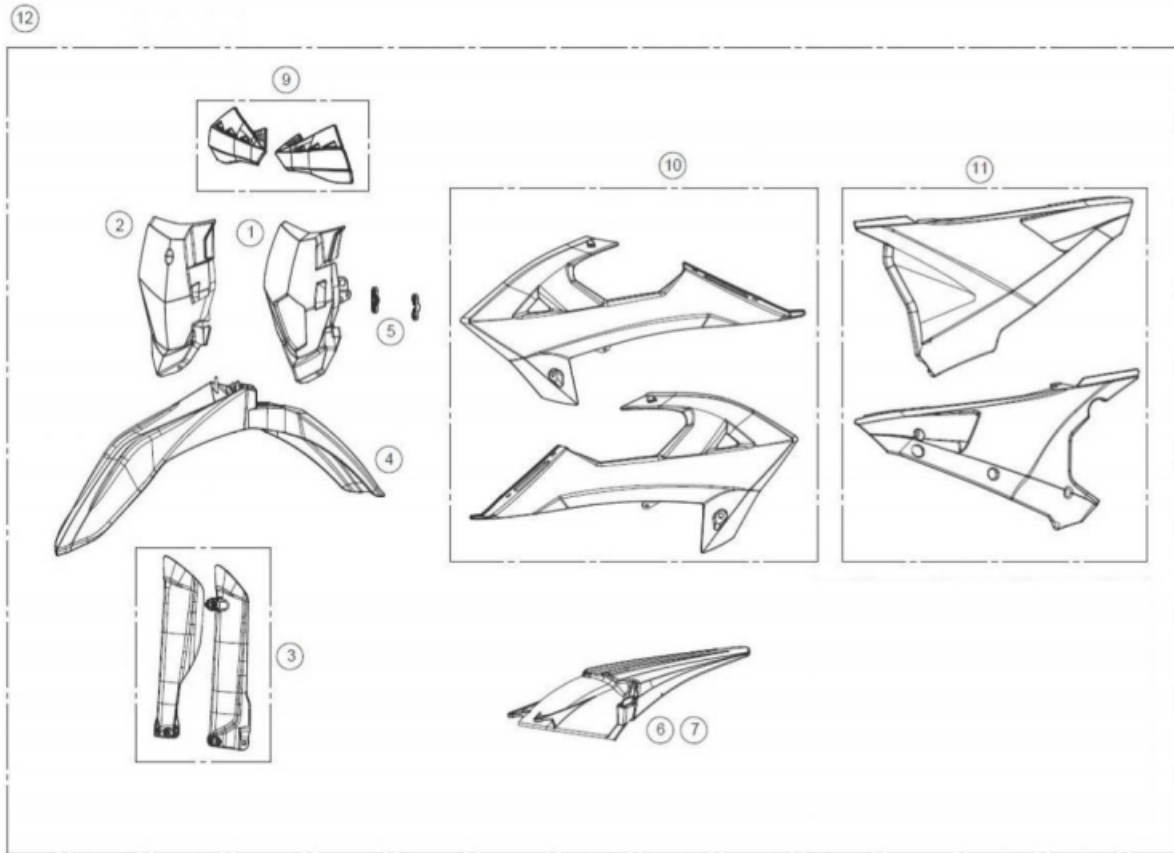
21	RJ-MR PRO ELECTRIC RADIATOR FAN 0/005.060.9100 (u. 1)
22	RJ-RADIATOR HOSE T FITTING 0/000.290.9119 (u. 1)
23	RJ-MR PRO ELECTRIC RADIATOR FAN SUPPORT 0/000.980.9124 (u. 1)
24	RJ-SCREW RHS81P 5x12 Torx Z (WHITE) 0/000.460.0090 (u. 4)
25	RJ-TEMPERATUR SENSOR 87Å° M14x1,5 0/001.010.9102 (u. 1)
26	RJ-RIVET DIN 7337 / B 4.8x10 0/000.330.0053 (u. 4)
27	RJ-MR PRO ELECTRIC RADIATOR FAN WIRE HARNESS 0/000.160.9111 (u. 1)
28	RJ-ELECTRIC RADIATOR FAN KIT RIEJU (21-Up), GasGas (01-19) 0/K05.060.9100 (u. 1)

TRANSPARENT STICKER



1 RJ-DECALS *SIDE LENTICULAR* {RIEJU MR 22}
0/000.390.9134 (u. 1)

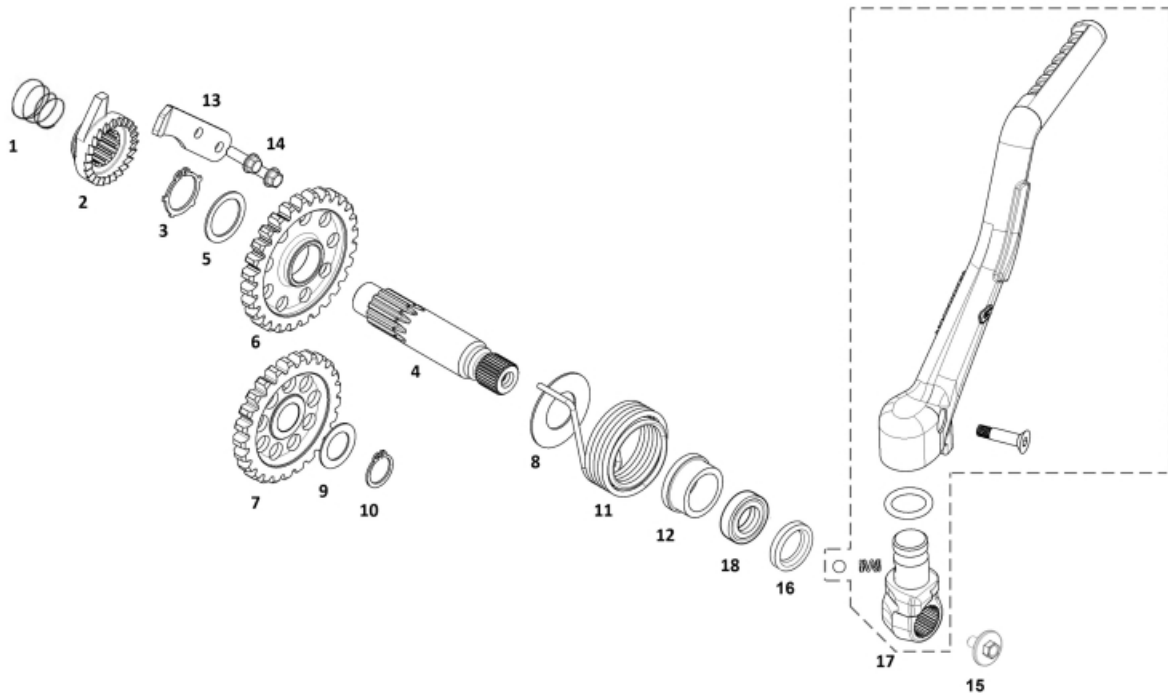
PLASTICS



1	RJ-MR (FRONT) EC NUMBER PLATE (WHITE) (2018-2019) : BE90500GG-CLJ-1 0/000.620.9100 (u. 1)
2	RJ-FRONT NUMBER PLATE {GASGAS XC 18-19, RIEJU 21→} (WHITE) : BE90500GG-MXC-1 0/000.570.9113 (u. 1)
3	RJ-FORK PROTECTOR SET {GASGAS EC/XC 18→, RIEJU MR 21→} (WHITE) 0/000.220.9144 (u. 1)
4	RJ-FRONT FENDER {GASGAS EC 18-19, RIEJU MR 21 →} (WHITE) : BE91004GG-CLJ-1 0/000.050.9101 (u. 1)
5	RJ-MR PLASTIC LIGHT SUPPORT (WHITE) (2012- 2019) : BE905102511 0/000.980.9104 (u. 2) RJ-PLASTIC LIGHT SUPPORT {MR} (BLACK) 0/000.980.9127 (u. 2)
6	RJ-MR (REAR) FENDER (WHITE) (2018-2019) : BE93500GG-CLJ-1 0/000.060.9100 (u. 1)
9	CTO.PARAMANOS ENDURO BLANCO(QWEST) : BE94500CT-CLJ-1 0/000.770.9100 (u. 1)
10	RJ-RADIATOR GUARDS SET (WHITE) 0/K00.570.9107 (u. 1)
11	RJ-MR MR NUMBER PLATE SET (WHITE) 0/K00.570.9101 (u. 1)
12	RJ-COMPLETE PLASTICS KIT (WHITE) {MR RANGER} 0/K00.570.9105 (u. 1)

ENGINE MR 2022 V1

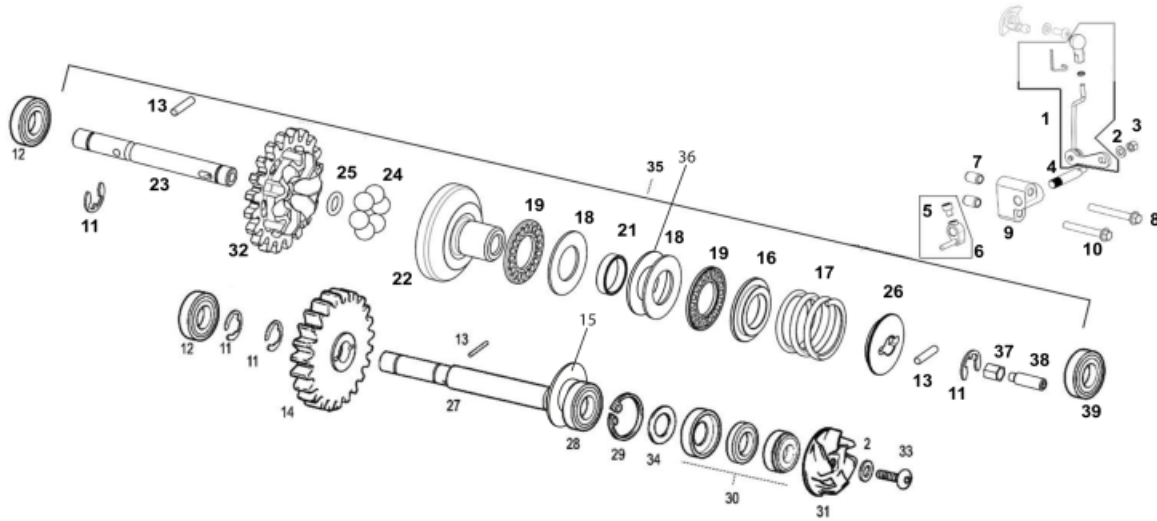
KICK STARTER



1	RJ-MR KICKSTART SPRING : ME25636006 0/000.470.9109 (u. 1)
2	RJ-MR INNER KICKSTART GEAR : ME250126004, ME25636004 : ME120126004 0/005.400.9110 (u. 1)
3	RJ-MR KICKSTART CIRCLIP : M03615000 : ME25636052 0/000.300.9105 (u. 1)
4	RJ-MR KICKSTARTER SHAFT : ME25636003 : ME250126003 0/005.400.9106 (u. 1)
5	RJ-MR KICKSTART WASHER 27x202x1 : ME25636000 0/000.440.9109 (u. 1)
6	RJ-KICKSTART GEAR {GASGAS/RIEJU} : ME25636002 : ME250126002 0/005.400.9105 (u. 1)
7	RJ-MR KICKSTART INNER PINION : ME880002508 0/005.400.9108 (u. 1)
8	RJ-MR KICKSTART WASHER 20x40x1 : ME25636051 0/000.440.9111 (u. 1)
9	RJ-MR WASHER 24x15x.08 : ME25636018 : ME25636012 0/000.440.9110 (u. 1)
10	CIRCLIP 15mm : MIT50036512 : M02623000 0/000.300.9101 (u. 1)
11	RJ-MR KICKSTART RETURN SPRING : ME86000GG-CAB-1 0/000.470.9110 (u. 1)
12	RJ-MR KICKSTART RETURN SPRING BUSHING : ME250136053 : ME86500GG-CAB-1 0/000.480.9125 (u. 1)
13	RJ-MR KICKSTART RATCHET BRACKET : ME25636005 0/000.980.9114 (u. 1)
14	HEAD SCREW 5x15: T0205015/2, T0205010 : T0205015 0/000.460.9115 (u. 2)
15	SPECIAL SCREW 6x11 : BE250036062, T0226011 0/000.460.9134 (u. 1)
16	RJ-MR KICKSTART LEVER BUSHING (2014-2019) : ME89025GG-CAB-1 0/000.480.9126 (u. 1)

17	RJ-MR KICKSTART LEVER : 0/005.430.9103 0/005.430.9103 (u. 1)
18	RJ-MR KICKSTART OIL SEAL 20x30x7 (GASGAS) : ME25632021 0/000.890.9105 (u. 1)

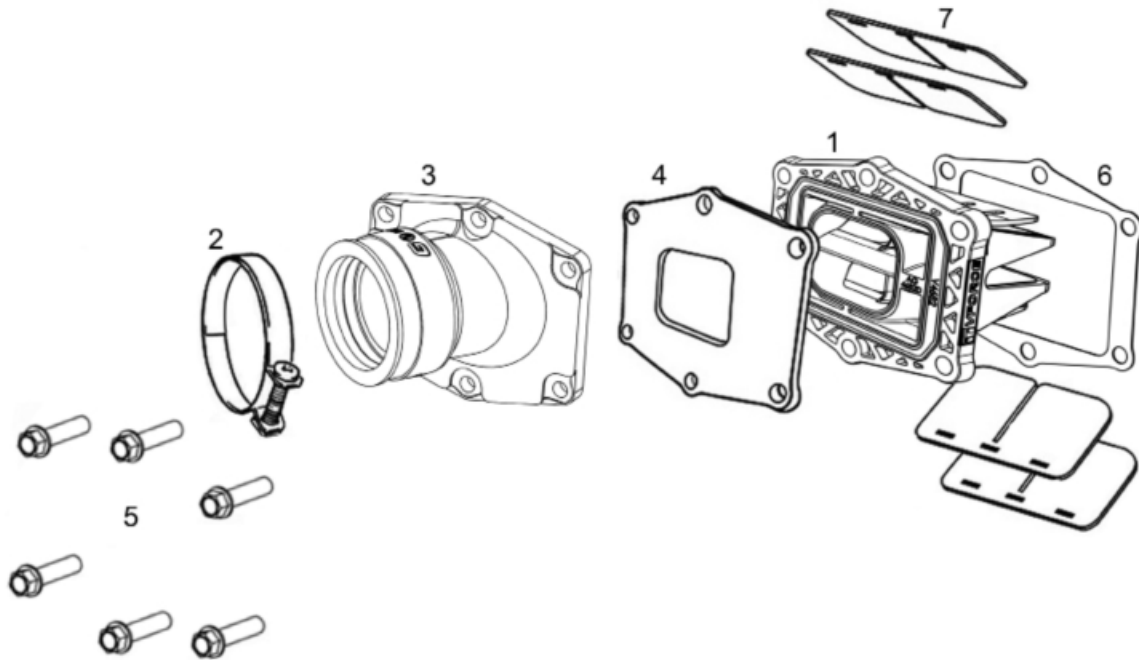
WATER PUMP



1	RJ-MR EXHAUST PUSHER VALVE SET (2015-2019) : ME72324GG-CEQ-1 : ME72325CT-CEQ-1 0/000.640.9104 (u. 1)	
2	WASHER 5x12x1.5 : T4005012 0/000.440.9121 (u. 2)	
3	NYLOC NUT 5mm : 25049629, 12549633 : T2105000 0/000.340.9112 (u. 1)	
4	RJ-MR CENTRIFUGAL LEVER AXLE LEVER : ME59035GG-CEQ-1 0/000.190.9108 (u. 1)	
6	RJ-MR CENTRIFUGAL LEVER SET : ME59045CT-CEQ-1 0/005.490.9101 (u. 1)	
7	RJ-ENGINE CASE LOCATER BUSHING : ME25610018 : M01017000 0/000.480.9119 (u. 2)	
8	HEAD SCREW 6x60 : T0206060 0/000.460.9128 (u. 1)	
9	RJ-MR POWER VALVE AXLE BRACKET : ME59040GG-CEQ-1 0/000.980.9115 (u. 1)	
10	HEAD SCREW 6x40 : MFS400116351 : T0206040 0/000.460.9125 (u. 1)	
11	SEEGER DIN6799E7 : ME25616024 0/000.300.9103 (u. 4)	
12	RJ-MR CENTRAL ENGINE SHAFT BEARING 608.Z.C3 : ME25616032 0/000.960.9108 (u. 2)	
13	RJ-MR IMPELLER WATER PUMP PIN 3x14 : MT27710036 : ME25616028 0/000.280.9101 (u. 3)	
14	RJ-MR WATER PUMP DRIVE GEAR : ME25610005 0/005.400.9111 (u. 1)	
15	RJ-MR AXLE WASHER 10x19x05 : MFS450526516 0/000.440.9113 (u. 1)	
16	OBSOLETE - (ENDURO) CENTRIFUGAL SPRING RETAINER (300cc, 250cc) ME59026GG-CEQ-1 (u. 1)	OBSOLETE
17	(ENDURO) VALVE SPRING : ME25716026 ME25916026 (u. 1)	
18	RJ-MR CLUTCH NEEDLE BEARING WASHER : ME25632016 0/000.440.9107 (u. 2)	
19	RJ-MR CLUTCH NEEDLE BEARING (2008-2019) : ME25632046 0/000.960.9109 (u. 2)	

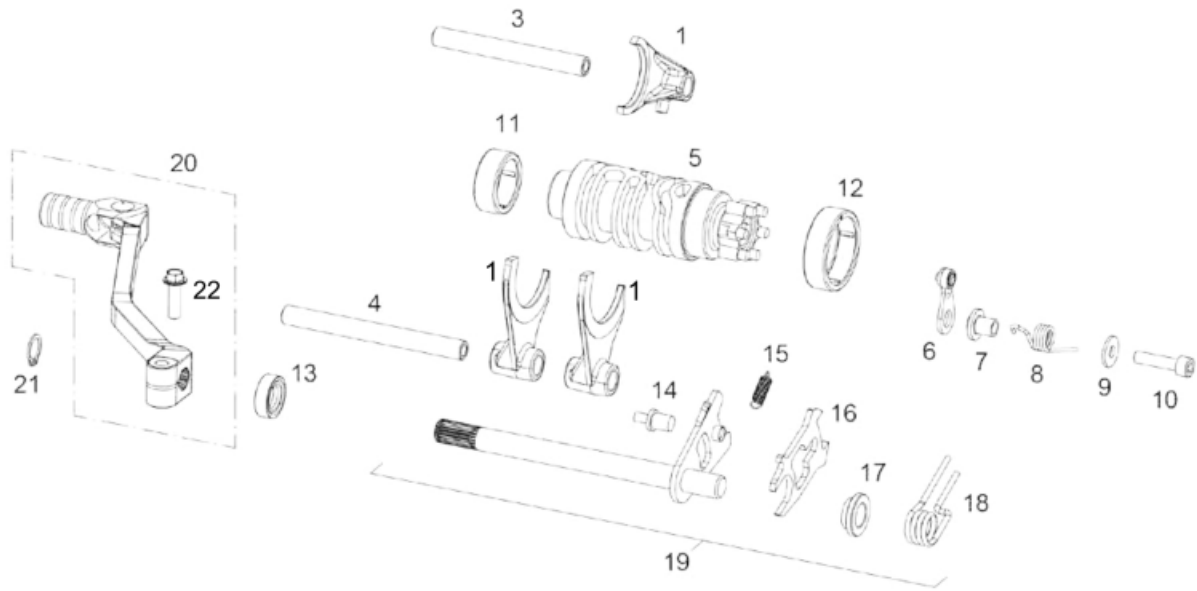
21	(ENDURO) SPACER ME25616008 (u. 1)
22	PENDING - (ENDURO) OUTER CENTRIFUGAL CLUTCH ME59030GG-CEQ-1 (u. 1)
23	(ENDURO) CENTRIFUGAL AXLE ME59015GG-CEQ-1 (u. 1)
24	(ENDURO) CLUTCH BALL BEARING 8mm ME25616033 (u. 6)
25	(ENDURO) O-RING 6x12 ME25616045 (u. 1)
26	PENDING - (ENDURO) SPRING SUPPORT WRENCH (300cc, 250cc) ME59025GG-CEQ-1 (u. 1)
27	RJ-MR WATER PUMP AXLE : ME25610006 0/000.190.9104 (u. 1)
28	RJ-MR WATER PUMP BEARING (SKF 6000-Z) : M03313001 : ME25610010 0/000.960.9107 (u. 1)
29	RJ-MR WATER PUMP C-CLIP 26 : M03314012 : ME25636065 0/000.300.9106 (u. 1)
30	RJ-MR WATER PUMP SEAL KIT : ME25610011 0/000.890.9104 (u. 1)
31	RJ-MR WATER PUMP IMPELLER : ME25610007 : ME56000GG-CAB-1 0/005.220.9100 (u. 1)
32	(ENDURO) CLUTCH GEAR ME59050GG-CEQ-1 (u. 1)
34	SECONDARY WASHER 26x17 : M03625000 0/000.440.9103 (u. 1)
35	RJ-MR COMPLETE CENTRIFUGAL (200cc) : ME59000CT-CLP-1 0/000.640.9102 (u. 1)
	RJ-MR COMPLETE CENTRIFUGAL (300cc, 250cc) : ME59000CT-CEQ-1 0/000.640.9101 (u. 1)
39	RJ-MR BEARING 619/8-ZZ : ME21500GG-CEQ-1 0/000.960.9105 (u. 1)

REED VALVE



1	<p>RJ - Assembly, Reed Valve, V-Force, V405D, RIEJU : ME25000GG-CAB-1 0/005.600.9102 (u. 1)</p> <p>PENDING : 0/005.600.9102 : RJ-MR REED VALVE ASSEMBLY : ME25000GG-CAB-1 0/005.600.9100 (u. 1)</p>
2	<p>RJ-CLAMP S56/9 W1 (2005-2019) : MT280316132 0/000.680.9109 (u. 1)</p>
3	<p>RJ-MR INTAKE MANIFOLD : ME26000GG-CLJ-1 0/000.290.9116 (u. 1)</p>
4	<p>RJ-MR INTAKE MANIFOLD GASKET : ME250644105 : ME44105GG-CLJ-1 0/000.490.9114 (u. 1)</p>
5	<p>FLANGE BOLT 6x25 10.9 : T0206025/2 : T0206025 0/000.460.9121 (u. 6)</p>
6	<p>RJ-MR CRANKCASE REED VALVE GASKET : ME250644005, ME94600GG-CAB-1 0/000.490.9120 (u. 1)</p>
7	<p>(ENDURO) VFORCE4 REED VALVE SET ME27000GG-CAB-1 (u. 2)</p>

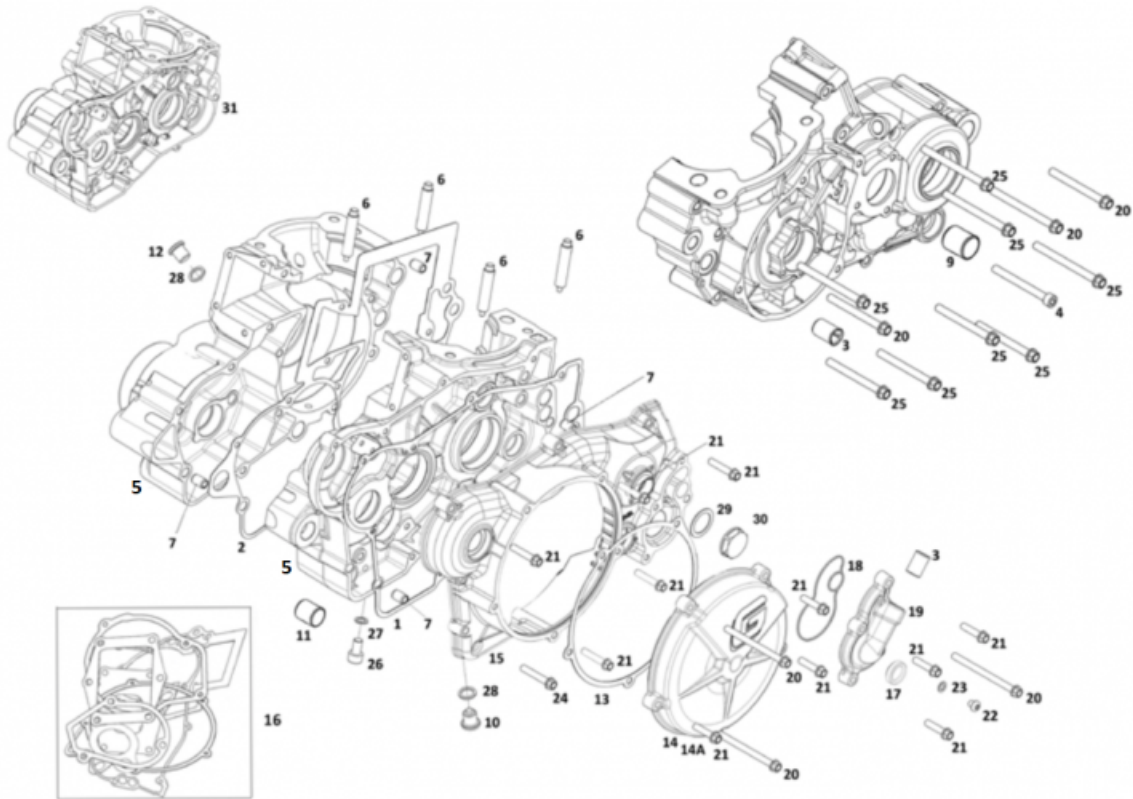
CHANGE SHAFT



1	(RIEJU) PRIMARY AND SECONDARY FORKS KIT ME47000CT-CLJ-1 (u. 1)
3	RJ-MR SHORT FORK SHAFT : ME25636045 0/000.190.9107 (u. 1)
4	RJ-MR LONG FORK SHAFT : ME25636044 0/000.190.9106 (u. 1)
5	RJ-MR SHIFT CAM : ME250036031, ME25836031 : ME250536031 0/005.090.9100 (u. 1)
6	RJ-SHIFT STOP CAM {GASGAS/RIEJU} : ME250036033 : ME250036033CT 0/005.560.9100 (u. 1)
7	RJ-MR GEAR BUSHING : ME25636047 0/000.480.9122 (u. 1)
8	RJ-MR GEAR STOP SPRING : ME250036034 0/000.470.9108 (u. 1)
9	WASHER 6x16x1.5 : T4006016 0/000.440.9125 (u. 1)
10	FLANGE BOLT 6x25 10.9 : T0206025/2 : T0206025 0/000.460.9121 (u. 1)
11	RJ-MR SHIFT CAM BEARING : M03645000 : ME25636055 0/000.960.9111 (u. 1)
12	RJ-MR SHIFT CAM BEARING : M03650000 : ME25636054 0/000.960.9110 (u. 1)
13	RJ-MR SEAL 12x22x7 : M03821000 : ME25636048 0/000.890.9107 (u. 1)
14	RJ-MR SELECTOR SPRING SCREW : ME25636042 0/000.460.9110 (u. 2)
15	(ENDURO) SHIFT RATCHET SPRING ME25636039 (u. 1)
16	(ENDURO) SHIFT RATCHET ME250236036 (u. 1)
17	(ENDURO) SHIFT CENTER BUSHING (250cc) (2004-2019) : ME25636041 ME250236041 (u. 1)
18	RJ-SHIFT SHAFT SELECTOR SPRING ME25636035 (u. 1)
19	RJ-MR SHIFT SHAFT ASSEMBLY : ME250236038, ME25636038 : ME250236038CT 0/005.010.9100 (u. 1)

20	PENDING - 0/005.430.9104 : RJ-MR SHIFTER KIT : ME49000CT-CDH-1 0/005.430.9100 (u. 1)
21	RJ-MR SNAP RING 12x1 : ME25636043 0/000.300.9104 (u. 1)
22	HEX BOLT 6x20 10.9 : T0206020/2, T0206020/3 : T0206020 0/000.460.9120 (u. 1)

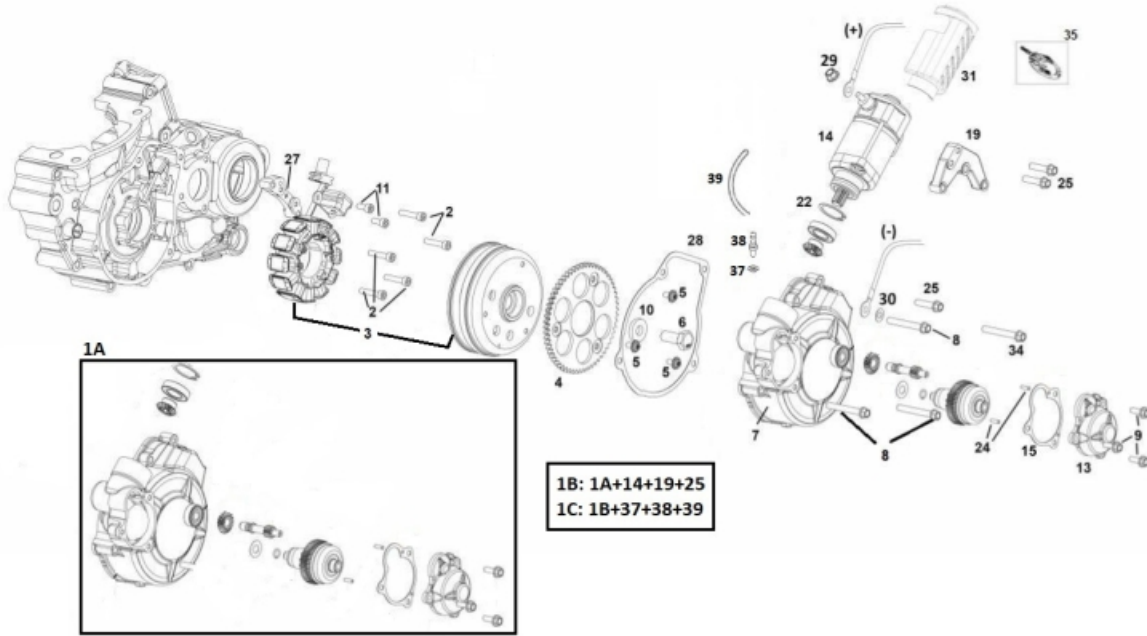
CARTER



1	RJ-MR CLUTCH COVER GASKET : ME25644002 0/000.490.9108 (u. 1)
2	RJ-MR CRANKCASE GASKET : ME94000GG-CLJ-1 0/000.490.9118 (u. 1)
3	RJ-MR WATER INLET FITTING : ME57015GG-CAB-1 0/000.480.9123 (u. 2)
4	ALLEN BOLT 6x60 : T0306060 0/000.460.9150 (u. 1)
5	(ENDURO) CRANKCASE SET (200cc) (2018-2019) ME10000CT-CLP-1 (u. 1) (ENDURO) CRANKCASE SET (250,300cc) (2018-2019) : ME10000GG-CLJ-1, ME11000GG-CLJ-1 ME10000CT-CLJ-1 (u. 1)
6	RJ-MR CYLINDER PIN : ME25616023 0/000.280.9100 (u. 4)
7	RJ-ENGINE CASE LOCATER BUSHING : ME25610018 : M01017000 0/000.480.9119 (u. 4)
9	RJ-BUSHING 12x15 (2000-2019) : ST950210 : C200101 0/000.480.9117 (u. 1)
10	RJ-MR OIL PLUG (MAGNETIC) : ME25610017 : ME10910GG-CSK-1 0/000.410.9104 (u. 1)
11	RJ-MR BRAKE PEDAL BUSHING 12x12 : C200100 : BE25610009 0/000.480.9105 (u. 1)
12	RJ-MR OIL FILLING PLUG : ME10900GG-CSK-1 0/000.410.9103 (u. 1)
13	RJ-MR DISCS COVER GASKET (2014-2019) : ME22015GG-CAB-1 0/000.490.9104 (u. 1)
14	RJ-MR DISC CLUTCH COVER (GRAY) : ME22010GG-CDH-1, ME22010GG-CAB-1, ME22010GG-CLJ-1, ME15000003011, ME250332002, MFS450732002, ME25632002, ME250732002, ME250332002 0/000.350.9105 (u. 1)

	RJ-THREADED CAP CENTRIFUGAL CAP 0/000.980.9131 (u. 1)
15	SIGHT GLASS PRO : MFS400110015 0/000.410.9106 (u. 1)
	RJ-MR KICKSTART OIL SEAL 20x30x7 {GASGAS} : ME25632021 0/000.890.9105 (u. 1)
	RJ-MR CLUTCH COVER : ME65000GG-CDH-1 : ME65000CT-CLJ-1 0/000.350.9107 (u. 1)
	ENGINE GASKET KIT {RIEJU} ME94610CT-CLJ-1 (u. 1)
16	ENGINE GASKET KIT {RIEJU} ME94610CT-CLJ-1 (u. 1)
17	SIGHT GLASS PRO : MFS400110015 0/000.410.9106 (u. 1)
18	RJ-MR WATER PUMP COVER GASKET : ME57010GG-CAB-1 0/000.490.9115 (u. 1)
19	RJ-MR WATER PUMP COVER (BLACK) : ME57000GG-CAB-1 0/000.220.9124 (u. 1)
20	RJ-HEAD SCREW 6x75 : T0206075 0/000.460.9129 (u. 6)
21	FLANGE BOLT 6x25 10.9 : T0206025/2 : T0206025 0/000.460.9121 (u. 11)
22	FLANGE SCREW 6x10 : T0226010 0/000.460.9133 (u. 1)
23	HEAD BOLT WASHER 6x8 : ME25916002 : T4006008 0/000.440.9122 (u. 1)
24	SPECIAL BOLT 6x35 : T0206035 0/000.460.9124 (u. 1)
25	HEAD SCREW 6x60 : T0206060 0/000.460.9128 (u. 8)
27	COPPER WASHER 8x12x1 : T4008012 0/000.440.9128 (u. 1)
28	RJ-SPARK PLUG WASHER (COPPER) : MT280410030 0/000.440.9114 (u. 2)
29	RJ-MR O-RING 20x1.5 NBR 70 : ME65110GG-CEQ-1 0/000.490.9116 (u. 1)
30	RJ-MR CENTRIFUGAL ADJUSTMENT CAP : ME65100GG-CEQ-1 0/000.410.9105 (u. 1)
31	(ENDURO) CRANKCASE SET (250,300cc) (2018-2019) : ME10000GG-CLJ-1, ME11000GG-CLJ-1 ME10000CT-CLJ-1 (u. 1)
32	RJ-ENGINE CASE LOCATER BUSHING : ME25610018 : M01017000 0/000.480.9119 (u. 2)

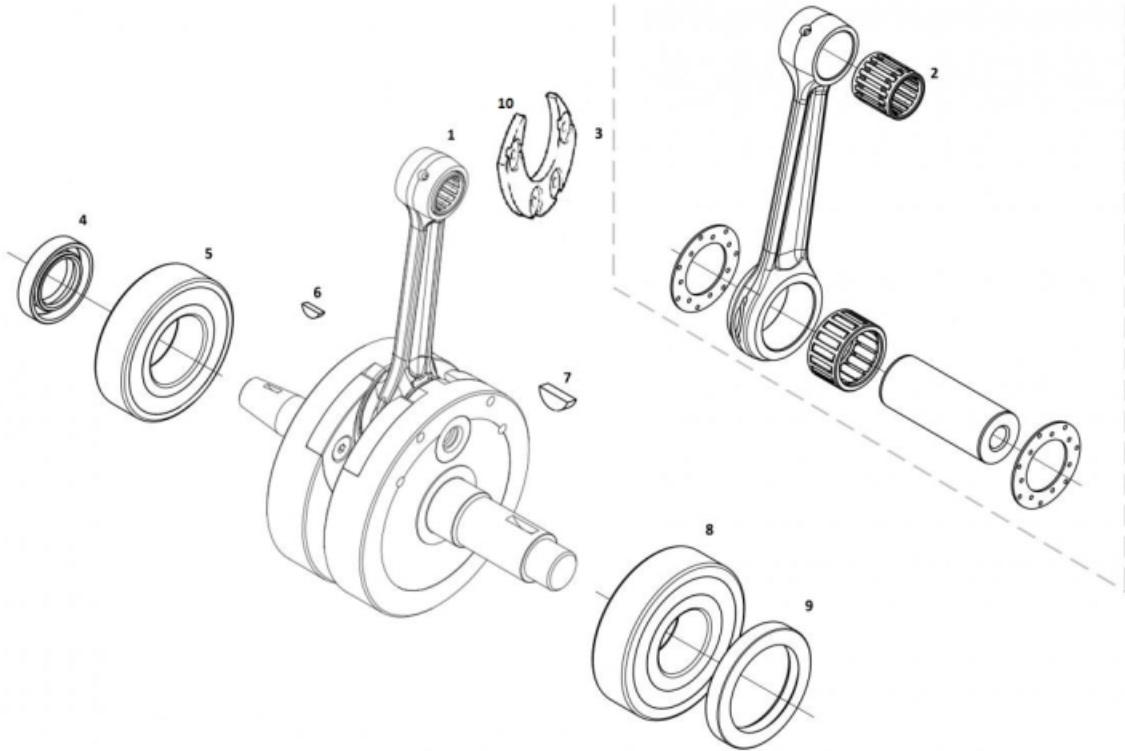
FLYWHEEL - ELECTRIC STARTER



1B	RJ-ELECTRIC START KIT {RIEJU MR 22} 0/005.480.9102 (u. 1)
1A	Kit, Starter Repair, Bendix + Cover, 'Improved', RIEJU/GasGas : ME60100GG-CBR-3 0/005.480.9103 (u. 1)
1C	RJ-ELECTRIC START KIT+DEVAPORIZER 0/K05.480.9102 (u. 1)
2	ALLEN BOLT 5x25 : T0205025, T0315025N : T0305025 0/000.460.9146 (u. 5)
3	RJ-FLYWHEEL SET {RIEJU MR 22→} 0/005.820.9104 (u. 1)
4	RJ-MR ELECTRIC START SPROCKET : EE80200GG-CBR-2 0/005.400.9102 (u. 1)
5	TORX SCREW 5x8 : 050808BB : T0455008 0/000.460.9154 (u. 3)
6	FLYWHEEL BOLT 10x25 : T02010020 : T02010025 0/000.460.9112 (u. 1)
8	HEAD SCREW 6x40 : MFS400116351 : T0206040 0/000.460.9125 (u. 1)
9	HEAD SCREW 5x15: T0205015/2, T0205010 : T0205015 0/000.460.9115 (u. 3)
11	ALLEN BOLT 5x10 : T0315012 : T0305010 0/000.460.9145 (u. 2)
13	BENDIX GEAR COVER {RIEJU} EE80130GG-CBR-2 (u. 1)
14	RJ-MR ELECTRIC E-START MOTOR (2015-2019) : EE80000GG-CBR-2 0/005.480.9100 (u. 1)
15	RJ-BENDIX COVER GASKET {GASGAS EC/XC} EE80135GG-CBR-1 (u. 1)
19	RJ-MR STARTER ENGINE BRACKET : EE80050GG-CBR-3 0/000.980.9111 (u. 1)
24	(ENDURO) PIN 3x9.8 EE80140GG-CBR-1 (u. 2)
25	FLANGE BOLT 6x25 10.9 : T0206025/2 : T0206025 0/000.460.9121 (u. 3)

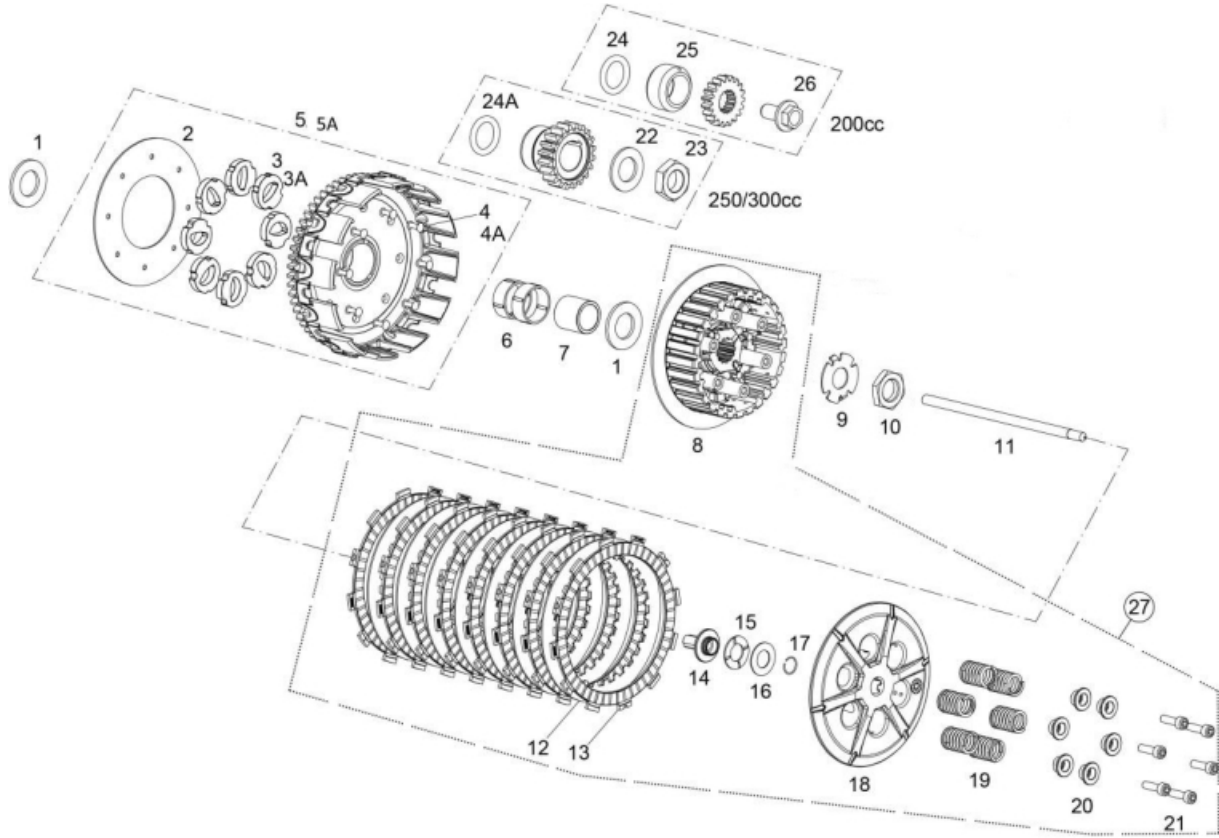
27	RJ-MR PULSER COIL ADAPTOR : EE70216GG-CAB-1 : EE70216GG-CAB-2 0/000.980.9109 (u. 1)
28	RJ-MR IGNITION GASKET COVER (2019) : ME94500GG-CSK-1 0/000.490.9119 (u. 1)
29	FLANGE NUT 6mm : T2306000 : T2206000 0/000.340.9116 (u. 1)
30	WASHER 6x12x1.5 : P220006 : T4006012 0/000.440.9124 (u. 1)
31	RJ-MR ELECTRIC STARTER COVER : EE85100GG-CLJ-1 0/000.220.9119 (u. 1)
32	ALLEN BOLT 6x45 : T0306045 0/000.460.9149 (u. 1)
33	SPECIAL SCREW 6x40 : T0306040 0/000.460.9148 (u. 1)
34	HEAD SCREW 6x50 : T0206050 0/000.460.9126 (u. 1)
35	(ENDURO) BRUSH START REPAIR KIT EE80010GG-CBR-1 (u. 1)
37	FIBER WASHER 6x10x1.5 : T4006010 0/000.440.9123 (u. 1)
38	CYLINDER VENT NIPPLE : ME25610012 : M01032001 0/000.630.9105 (u. 1)
39	RJ-BENDIX VENT HOSE 05x09x450 0/000.290.9126 (u. 1)

CRANKSHAFT



1	RJ-MR CRANKSHAFT (200cc) (2014) 0/005.380.9102 (u. 1)	
2	RJ-MR CRANKSHAFT ASSEMBLY (250,300cc) : ME30000CT-CLJ-1, 0/005.380.9101 0/005.380.9100 (u. 1)	
3	(ENDURO) PISTON PIN BEARING : ME25616127 ME25616035 (u. 1)	
4	OBSOLETE - 0/000.980.9102 : CONECTING ROD *250cc, 300cc* {GASGAS} : ME30912100, 25018249 ME25612100 (u. 1)	OBSOLETE
5	RJ-LEFT CRANKSHAFT SEAL : 12504002, 25004000, ME25612009 : ME250112009 0/000.890.9103 (u. 1)	
6	Bearing, Crankshaft, Left, RIEJU 0/000.960.9115 (u. 1)	
7	CRANKSHAFT FLYWHEEL KEY : MT280234016 0/005.490.9102 (u. 1)	
8	RJ-MR CRANKSHAFT KEY : ME31030GG-CAB-1 0/005.490.9100 (u. 1)	
9	Bearing, Crankshaft, Right, RIEJU 0/000.960.9116 (u. 1)	
10	RJ-RIGHT CRANKSHAFT SEAL TB2J 38-52 7 : ME250112008 0/000.890.9102 (u. 1)	
11	RJ-MR COUNTER WEIGHT NYLON (200cc) : ME20812021 0/005.075.9100 (u. 1)	
12	COUNTERWEIGHT NYLON EC250,300 : MC25712021 : ME250212021 0/005.075.9101 (u. 1)	

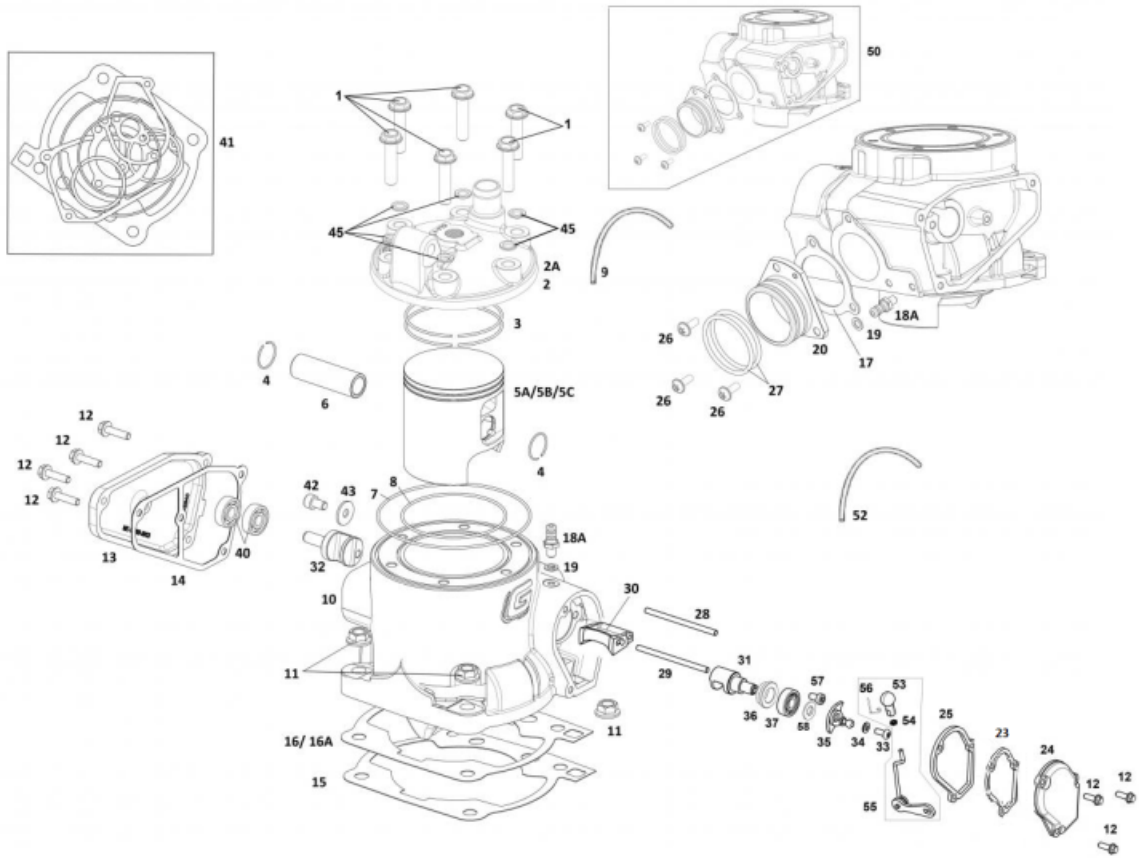
CLUTCH



1	RJ-MR CLUTCH THRUST BELL WASHER : ME25632011 0/000.440.9106 (u. 2)
2	(ENDURO) CLUTCH BASKET BACK PLATE ME20932009 (u. 1)
3	CLUTCH BASKET SILENTBLOCK {GASGAS EC/XC} ME20932008 (u. 8)
4	(ENDURO) CLUTCH BASKET RIVETS ME250132010 (u. 8)
5	RJ-MR COMPLETE CLUTCH BASKET (200cc) (2004-2019) : ME200432003CT, ME20932003, MFS250432003CT : ME20932003CT 0/005.400.9103 (u. 1)
5	RJ-MR COMPLETE CLUTCH BASKET (250,300cc) : ME250032003, ME250432003, ME250432003CT, ME25932003, ME25632003, ME25612004 : ME21000CT-CAB-1 0/005.400.9104 (u. 1)
6	RJ-MR CLUTCH PRIMARY BEARING : ME25632029 0/000.980.9113 (u. 2)
7	RJ-MR CLUTCH PRIMARY BUSHING : ME25632012 0/000.480.9121 (u. 1)
8	CLUTCH BOSS {GASGAS EC/XC 18-18, RIEJU MR 21→} ME22005GG-CLJ-1 (u. 1)
9	RJ-MR CLUTCH TAB LOCK WASHER : ME21120GG-CLJ-1 0/000.440.9104 (u. 1)
10	RJ-MR CLUTCH BOSS NUT : ME25632028 0/000.340.9107 (u. 1)
11	RJ-MR CLUTCH PUSH ROD : ME25632040 0/000.190.9105 (u. 1)
12	(ENDURO) IRON CLUTCH DISCS ME22105GG-CLJ-1 (u. 7)

13	(ENDURO) FIBER COVERED CLUTCH DISK : 00061095-0 ME25632007 (u. 8)
	KEVLAR COVERED CLUTCH DISCS {GASGAS EC/XC} ME22100GG-CLJ-1 (u. 8)
14	RJ-MR CLUTCH PRESSURE PLATE BUSHING : ME23100GG-CAB-1 0/000.480.9120 (u. 1)
15	RJ-MR CLUTCH NEEDLE BEARING (2008-2019) : ME25632046 0/000.960.9109 (u. 1)
16	RJ-MR CLUTCH NEEDLE BEARING WASHER : ME25632016 0/000.440.9107 (u. 1)
17	RJ-MR CLUTCH NEEDLE LOCK RING : ME23150GG-CAB-1 0/000.300.9102 (u. 1)
18	(ENDURO) PRESS PLATE (2018-2019) ME23000GG-CLJ-1 (u. 1)
19	RJ-CLUTCH SPRING {GASGAS 18-19} ME22025GG-CLJ-1 (u. 6)
20	(ENDURO) CLUTCH SPRING CAPS ME22020GG-CLJ-1 (u. 6)
21	ALLEN BOLT 6x25 : 12549485 T0306025 (u. 6)
22	RJ-MR WASHER D20 (250,300cc) (2001-2019) : ME25632019 0/000.440.9108 (u. 1)
23	RJ-MR CRANK SHAFT PINION LOCKING NUT (250,300cc) : ME250032018 0/000.340.9106 (u. 1)
24	RJ-MR PRIMARY CLUTCH GEAR O-RING : ME21180GG-CAB-1 0/000.490.9106 (u. 1)
25	RJ-CRANK SHAFT BUSHING EC200 : ME200512014 0/000.480.9127 (u. 1)
26	SPECIAL SCREW 12x25x125 : T02012025 0/000.460.9114 (u. 1)
27	RJ-MR CLUTCH BASKET ASSEMBLY , ME25632005 0/005.350.9100 (u. 1)

CYLINDER

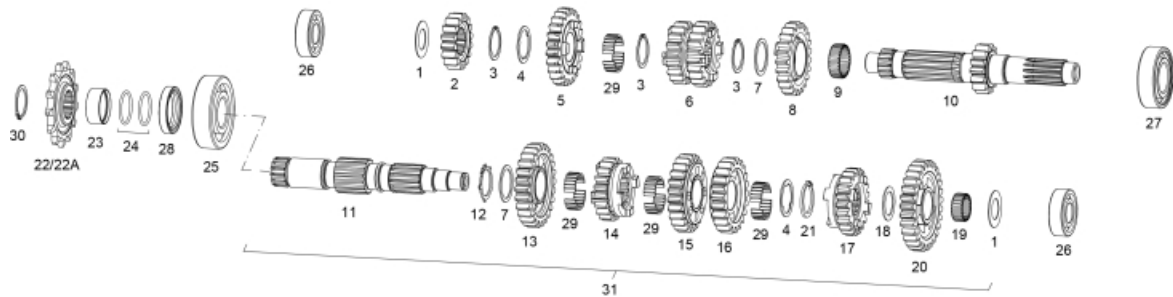


1	HEAD SCREW 8x35 : T0208035 0/000.460.9130 (u. 6)
2	RJ-MR CYLINDER HEAD (250cc) (2018-2019) : ME75000GG-CLK-1 0/005.770.9101 (u. 1)
2	RJ-MR CYLINDER HEAD (300cc) (2018-2019) : ME75000GG-CSK-1 0/005.770.9100 (u. 1)
2	RJ-MR CYLINDER HEAD (200cc) (2018-2019) : ME75000GG-CLP-2 0/005.770.9102 (u. 1)
3	PISTON RINGS SET *300cc* {GASGAS EC/XC} : ME30916040R ME30916040 (u. 1)
3	(ENDURO) PISTON RINGS SET (250cc) : 25011250 ME25616040 (u. 1)
4	(ENDURO) ROUND PISTON CLIP 18mm ME25616126 (u. 2)
5C	PISTON C *300cc* {RIEJU 2018->} : ME30916122, ME30916123 ME30916122R (u. 1)
5C	PISTON C *250cc* {RIEJU/GASGAS} : 25010502, ME25616122 ME25616122R (u. 1)
5B	PISTON B *300cc* {RIEJU 2018->} : ME30916121R, ME30916121 ME300416121 (u. 1)
5B	PISTON B *250cc* {RIEJU/GASGAS} : ME25616121, 25010501 ME25616121R (u. 1)
5A	PISTON A *250cc* {RIEJU/GASGAS} : ME25616020, 25010500 ME25616020R (u. 1)
5A	PISTON A *300cc* {RIEJU/GASGAS} : ME30916020R, ME30916020 ME300416020 (u. 1)
6	(ENDURO) PISTON PIN ME25616125 (u. 1)

7	RJ-MR OUTER CYLINDER HEAD O-RING (250,300cc) : 25012251, ME25916060 0/000.490.9109 (u. 1)
8	RJ-MR INNER CYLINDER HEAD O-RING (300cc) 75.92X1 : ME30916065 0/000.490.9111 (u. 1)
	RJ-MR INNER CYLINDER HEAD O-RING (200,250cc) : M01619130, M01619140, ME25616065 : ME25916065 0/000.490.9110 (u. 1)
9	CARTER BREATH TUBE : MQ450616103 ME25610022 (u. 1)
9A	RJ-MR BLOW-BY DEVAPORIZING TUBE SET (2018-2019) : BE71155CT-CLJ-1 0/000.290.9106 (u. 1)
11	NUT 10x1.5 : ME25616031 : M01613001 0/000.340.9105 (u. 4)
12	SPECIAL SCREW 12x25x125 : T02012025 0/000.460.9114 (u. 1)
	HEAD SCREW 5x15: T0205015/2, T0205010 : T0205015 0/000.460.9115 (u. 7)
13	RJ-MR (LEFT) VALVE COVER (BLACK) : ME100033013 0/000.350.9104 (u. 1)
14	RJ-LEFT VALVE COVER GASKET : ME25644006, ME440063013 0/000.490.9113 (u. 1)
15	(ENDURO) CYLINDER GASKET 0.15 ME25644010 (u. 1)
16A	(ENDURO) CYLINDER GASKET 0.3 ME25644009 (u. 1)
16	RJ-MR CYLINDER GASKET 0.5 : ME44000GG-CAB-1 : ME44000GG-CLJ-1 0/000.490.9112 (u. 1)
17	(ENDURO) CYLINDER EXHAUST GASKET ME25644012 (u. 1)
18A	CYLINDER VENT NIPPLE : ME25610012 : M01032001 0/000.630.9105 (u. 2)
19	FIBER WASHER 6x10x1.5 : T4006010 0/000.440.9123 (u. 2)
20	(ENDURO) ALUMINIUM EXHAUST MANIFOLD : ME25616019, ME25916019 ME250516019 (u. 1)
23	RJ-VALVE VALVE JOINT RH MR 0/000.490.9124 (u. 2)
24	RJ-MR (RIGHT) VALVE COVER : ME72020GG-CAB-1 0/000.350.9108 (u. 1)
25	RJ-VALVE LID SEPARATOR RH MR 0/000.480.9133 (u. 1)
26	TORX SCREW 6x14 T0566014 (u. 3)
27	EXHAUST MANIFOLD O-RING 44x3 {GASGAS EC/XC} : BE25626006 BE250526006 (u. 2)
28	(ENDURO) LONG EXHAUST VALVE ROD 93mm ME25616027 (u. 1)
29	(ENDURO) SHORT EXHAUST VALVE ROD 83mm ME25616017 (u. 1)
30	(ENDURO) EXHAUST CENTRAL VALVE : ME72005GG-CEQ-1 ME72005GG-CLK-1 (u. 1)
31	RIEJU/GASGAS (RIGHT) EXHAUST VALVE : ME25616016 ME72000GG-CLK-1 (u. 1)
32	(ENDURO) (LEFT) EXHAUST VALVE : ME25616014 ME72010GG-CLK-1 (u. 1)
33	RJ-SCREW ISO 7380 Allen M5x10 Cal.10.9 Z / WHITE 0/000.460.2000 (u. 1)

34	WASHER 5x12x1.5 : T4005012 0/000.440.9121 (u. 1)
35	RJ-MR EXHAUST VALVE LEVER SET : ME72321GG-CEQ-1 : ME72320CT-CEQ-1 0/000.640.9103 (u. 1)
36	(ENDURO) EXHAUST VALVE BEARING SPACER ME25616036 (u. 1)
37	RJ-MR WATER PUMP BEARING (SKF 6000-Z) : M03313001 : ME25610010 0/000.960.9107 (u. 1)
40	RJ-MR CENTRAL ENGINE SHAFT BEARING 608.Z.C3 : ME25616032 0/000.960.9108 (u. 2)
41	GASKET SET, CYL. AND HEAD. 250CC ME94620CT-BZX-1 (u. 1)
	CYLINDER TOP END GASKET KIT {GASGAS/RIEJU} ME94620CT-CAB-1 (u. 1)
43	WASHER 6x18x1.5 : T4006018 0/000.440.9126 (u. 1)
44	WASHER 6x12x1.5 : P220006 : T4006012 0/000.440.9124 (u. 1)
45	PLAIN WASHER (COPPER) : T4008516 0/000.440.9130 (u. 6)
50	RJ-MR COMPLETE CYLINDER (200cc) (2019) : ME70000CT-CSM-1 0/005.190.9102 (u. 1)
	RJ-MR COMPLETE CYLINDER (250cc) (2018-2019) : ME70000CT-CLK-1 0/005.190.9101 (u. 1)
	RJ-MR COMPLETE CYLINDER (300cc) (2018-2019) : ME70000CT-CLJ-1 0/005.190.9100 (u. 1)
51	HEAD BOLT WASHER 6x8 : ME25916002 : T4006008 0/000.440.9122 (u. 2)
52	(ENDURO) CYLINDER VALVE TUBE (2009-2019) BE733001209 (u. 1)
52a	RJ-MR BLOW-BY DEVAPORIZING TUBE SET (2018-2019) : BE71155CT-CLJ-1 0/000.290.9106 (u. 1)
53	RJ-MR EXHAUST PUSHER VALVE SET (2015-2019) : ME72324GG-CEQ-1 : ME72325CT-CEQ-1 0/000.640.9104 (u. 1)
55	RJ-MR EXHAUST PUSHER VALVE SET (2015-2019) : ME72324GG-CEQ-1 : ME72325CT-CEQ-1 0/000.640.9104 (u. 1)
56	RJ-MR SECURITY CLIP : ME72326GG-CEQ-1 0/000.840.9103 (u. 1)
58	RJ-MR BEARING WASHER 10x15x2.5 : ME71100GG-CEQ-1 0/000.480.9124 (u. 1)

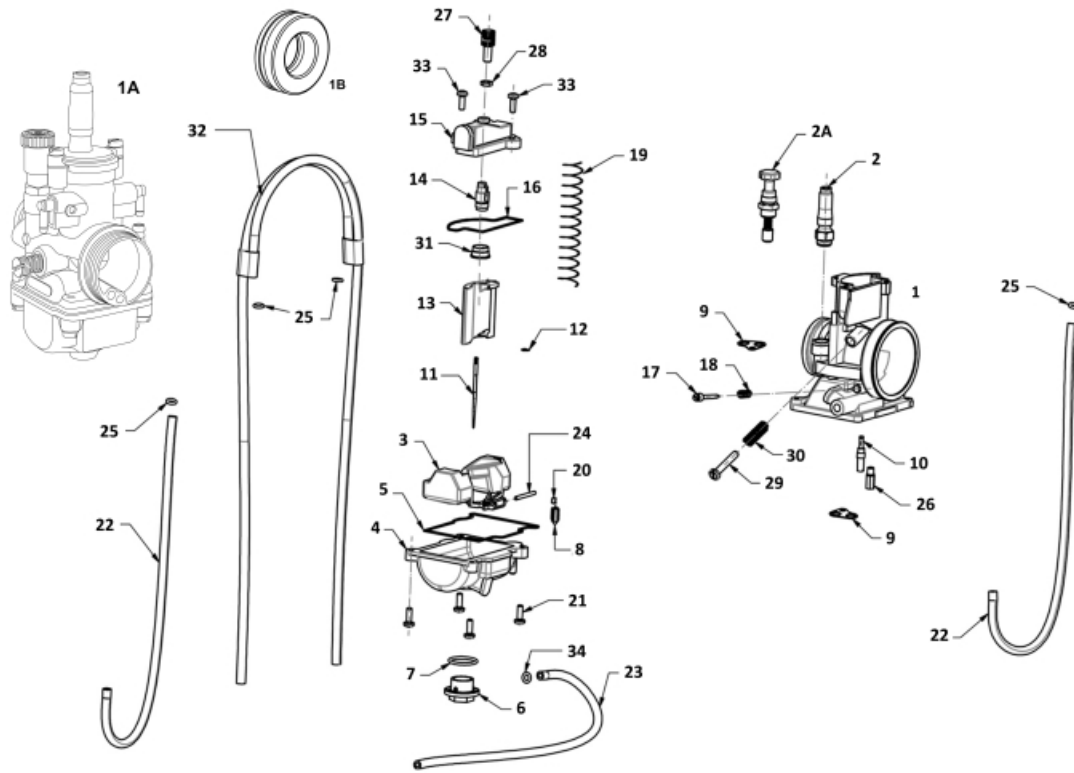
CHANGE ASSEMBLY



1	(ENDURO) SHIFT WASHER 18x315x07 ME25636014 (u. 2)
2	(ENDURO) PRIMARY II PINION ME25636071 (u. 1)
3	RJ-MR CIRCLIP DIN 471 : 25049255 : ME25936084 0/000.300.9107 (u. 3)
4	(ENDURO) GROOVING WASHER 315x(25x22)x1 ME25636091 (u. 2)
5	(ENDURO) PRIMARY VI PINION ME25636074 (u. 1)
6	PRIMARY III AND IV PINION {GASGAS EC/XC 18→, RIEJU MR 21→} ME25636072 (u. 1)
7	GEAR WASHER 25.2x31.5x1 ME25636017 (u. 2)
8	(ENDURO) PRIMARY V PINION ME25636073 (u. 1)
9	RJ-GEAR BEARING K25-29-10 : M02616000 0/000.960.9104 (u. 1)
10	(ENDURO) PRIMARY AXLE : ME25636070 ME250236070 (u. 1)
11	(ENDURO) SECONDARY AXIS ME410002508 (u. 1)
12	CIRCLIP DIN 983 D.25 (25049255) ME25636095 (u. 1)
13	(ENDURO) SECONDARY PINION II ME42211GG-CSK-1 (u. 1)
14	(ENDURO) SECONDARY PINION VI ME42215GG-CSK-1 (u. 1)
15	(ENDURO) SECONDARY PINION III ME42212GG-CSK-1 (u. 1)
16	(ENDURO) SECONDARY PINION IV ME42213GG-CSK-1 (u. 1)
17	(ENDURO) SECONDARY PINION V ME42214GG-CSK-1 (u. 1)
18	(ENDURO) GEAR WASHER 208x29x1 ME25636016 (u. 1)
19	RJ-MR NEEDLES BEARING K20x24x10 : ME25636059 0/000.960.9114 (u. 1)

20	(ENDURO) SECONDARY PINION I ME42210GG-CSK-1 (u. 1)
21	CIRCLIP D.25 DIN 471 SE03025200009 (u. 1)
22	RJ-FRONT SPROCKET *13T* : ME25636025 0/005.400.9112 (u. 1)
22A	RJ-MR (FRONT) SPROCKET 12 TOOTH : MF25836025 0/005.400.9113 (u. 1)
23	RJ-MR SEAL BUSHING (2001-2019) : ME25636046 0/000.260.9100 (u. 1)
24	RJ-MR C/SHAFT SPROCKET O-RING 25x2 : ME25632025 0/000.490.9107 (u. 2)
25	RJ-MR SHIFT BEARING 6305 : 00042155-0 : ME25636058 0/000.960.9113 (u. 1)
26	RJ-MR SHIFT BEARING 6203 : MIT50012006, Y00.126027 : ME25636057 0/000.960.9112 (u. 2)
27	RJ-SHIFT BEARING 6205ZC3E (GASGAS 02-19, RIEJU MR 20->) : ME250136056 0/000.960.9106 (u. 1)
28	RJ-COUNTERSHAFT SEAL PRO 30x40x7 : ME25636024 0/000.890.9106 (u. 1)
29	RJ-MR NEEDLES BEARING KD22x25x98 : ME250236102 0/005.150.9101 (u. 4)
30	RJ-MR CIRCLIP DIN 471 : 25049255 : ME25936084 0/000.300.9107 (u. 1)
31	RJ-MR SHIFT GEAR SET : ME40000CT-CSK-1 0/005.400.9107 (u. 1)

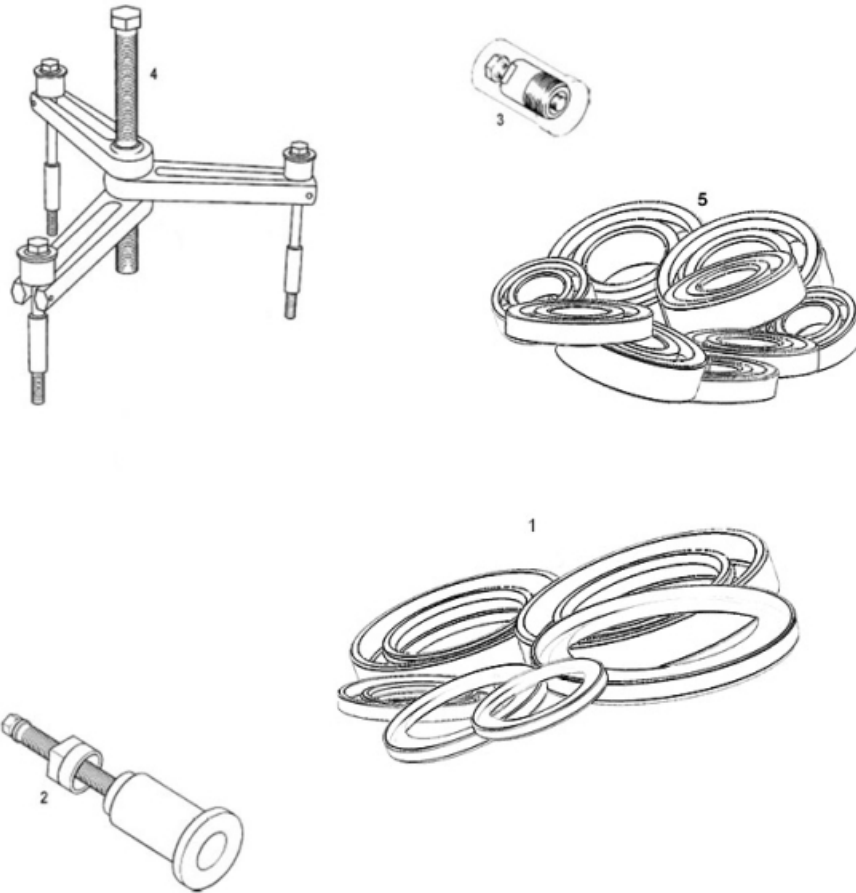
CARBURETOR



1	RJ-MR KEIHIN CARBURETOR PWKS DIAM.38 : BE780002508 : BE78000GG-CSK-1 0/005.155.9100 (u. 1)
1A	RJ-MR CARBURETOR PHBG 21 DS 73/33 CLUTH OUTER 40 (FOR EUROPE UNITS ONLY) : BE78000GG-EKF-1 0/005.155.9103 (u. 1)
1B	RJ-MR CARBURETOR ADAPTOR (2018-2019) : BE78100GG-CLJ-1 0/005.150.9102 (u. 1)
2A	(ENDURO) CARBURATOR COLD STARTER KNOB SET ME25690011 (u. 1)
2	RJ-CARBURATOR CHOKE CABLE ADAPTER : BE783002508 ME25000173012 (u. 1)
3	(ENDURO) CARBURATOR FLOAT ME25000183012 (u. 1)
4	(ENDURO) CARBURATOR FLOAT BOWL ME25000193012 (u. 1)
5	(ENDURO) CARBURATOR FLOAT BOWL DRAIN SEAL ME25000203012 (u. 1)
6	(ENDURO) CARBURATOR FLOAT BOWL DRAIN CAP ME25690015 (u. 1)
8	(ENDURO) CARBURATOR NEEDLE ME25000213012 (u. 1)
10	RJ-SLOW JET #40 0/005.991.9107 (u. 1)
10A	SLOW JET 45 {RIEJU} 0/005.991.9103 (u. 1)
10B	RJ-CARBURATOR SLOW JET 42 : ME25690042 0/005.991.9105 (u. 1)
11C	(ENDURO) NEEDLE NOZH N427-OZH00 ME120690435 (u. 1)
11B	(ENDURO) CARBURATOR KEIHIN NEEDLE (N1EG) ME250290428 (u. 1)

11	RJ-MR CARBURATOR KEIHIN NEEDLE (N1EF) : ME250190429 0/005.150.9100 (u. 1)	
11A	(ENDURO) CARBURATOR KEIHIN NEEDLE (N1EE) ME250290427 (u. 1)	
12	(ENDURO) CARBURATOR NEEDLE CLIP ME25690021 (u. 1)	
13	NOZZLE NOZI 125CC N427-0ZI00 : ME120690434 0/005.150.9105 (u. 1)	
	RJ-MR CARBURATOR SLIDE : ME25000233012 0/005.150.9103 (u. 1)	
14	(ENDURO) CARBURATOR NEEDLE HOLDER ME25690023 (u. 1)	
15	(ENDURO) CARBURATOR SLIDE CAP ME25000243012 (u. 1)	
16	(ENDURO) CARBURATOR SLIDE CAP O-RING ME25000253012 (u. 1)	
17	(ENDURO) CARBURATOR AIR ADJUSTING SCREW ME25000263012 (u. 1)	
18	(ENDURO) AIR REGULATOR SPRING (2012-2019) ME25000273012 (u. 1)	
19	(ENDURO) CARBURATOR SLIDE RETURN SPRING ME25000283012 (u. 1)	
20	(ENDURO) CARBURATOR FLOAT BOWL CLIP ME25690027 (u. 1)	
21	(ENDURO) CARBURATOR FLOAT BOWL SCREW ME25000293012 (u. 4)	
22	(ENDURO) CARBURATOR SHORT BREATHER TUBE ME25000303012 (u. 2)	
23	(ENDURO) CARBURATOR LONG BREATHER TUBE ME25000313012 (u. 1)	
24	(ENDURO) CARBURATOR FLOAT PIN ME25690033 (u. 1)	
25	(ENDURO) CARBURATOR BREATHER TUBE CLIP ME25690034 (u. 4)	
26	RJ-CARBURATOR MAIN JET 175 : ME25690175 0/005.991.9104 (u. 1)	
	RJ-MAIN JET #170 0/005.991.9106 (u. 1)	
27	(ENDURO) CARBURATOR TENSOR CABLE ME25000323012 (u. 1)	
28	OBSOLETE - (ENDURO) CABLE TENSION ADJUSTER NUT ME25000333012 (u. 1)	OBSOLETE
29	(ENDURO) CARBURATOR IDLE SCREW ME25690038 (u. 1)	
30	(ENDURO) CARBURATOR AIR SCREW SPRING ME25690039 (u. 1)	
31	(ENDURO) CARBURETOR SPRING BUSHING COVER ME25690040 (u. 1)	
32	(ENDURO) CARBURATOR VENT TUBE ME25000343012 (u. 1)	
33	(ENDURO) CARBURATOR CAP SCREW (2012-2019) ME25000353012 (u. 2)	
34	(ENDURO) CARBURETOR SPRING CLIP ME25000363012 (u. 1)	
35	OBSOLETE - STOP THROTTLE CABLE ME250690010 (u. 1)	OBSOLETE

ENGINE TOOLS



1	SET SEAL EC 250-300 : ME90600CT-CAB-1 ME906002510 (u. 1)	OBSOLETE
2	OBSOLETE - SEMI CRANK SHAFT EXTRACTOR ME25950000 (u. 1)	OBSOLETE
3	FLYWHEEL PULLER PRO MT280234045 (u. 1)	
4	PENDING - CRANKCASE EXTRACTOR ME25950005 (u. 1)	
5	MOTOR ASSEMBLY BEARINGS {GASGAS EC/XC 18→, RIEJU MR 21→} ME90500CT-CLJ-1 (u. 1)	