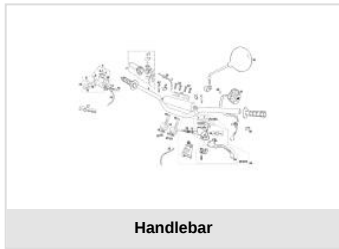


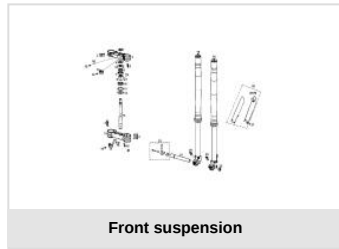


# **GASGAS EC 250cc 2017**

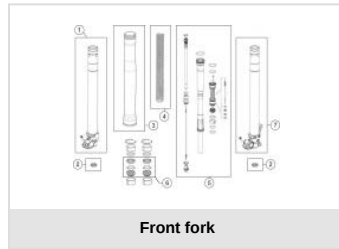
## **Exploded**



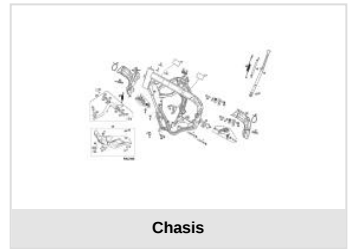
**Handlebar**



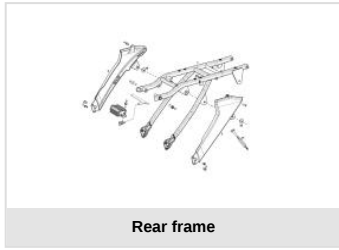
**Front suspension**



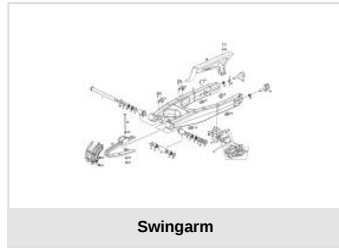
**Front fork**



**Chasis**



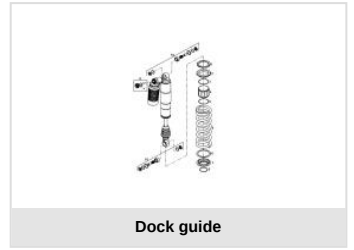
**Rear frame**



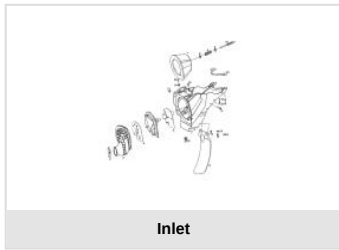
**Swingarm**



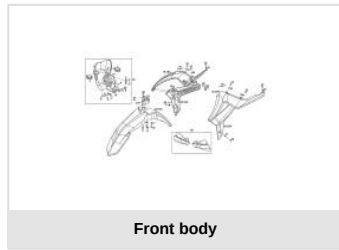
**Rear shock absorber**



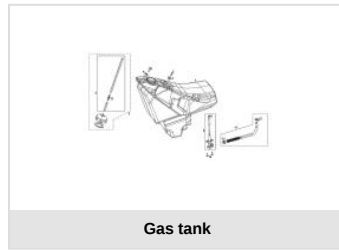
**Dock guide**



**Inlet**



**Front body**



**Gas tank**



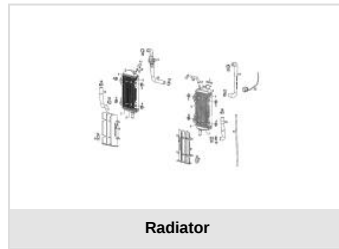
**Rear body**



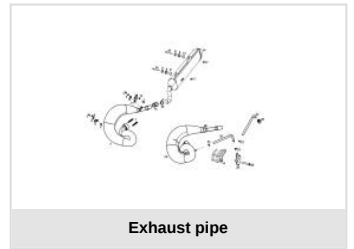
**Plastic body assembly E-Start**



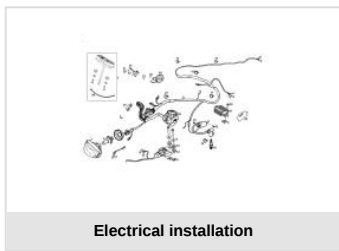
**Decals**



**Radiator**



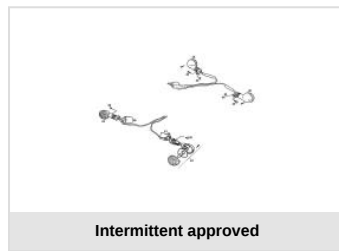
**Exhaust pipe**



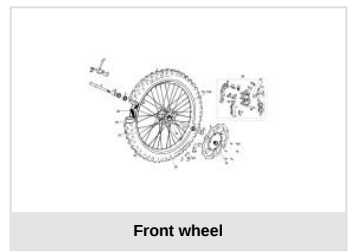
**Electrical installation**



**Installation for E-Start**



**Intermittent approved**



**Front wheel**



**Rear wheel**

2017 RIEJU/GASGAS EC - 300cc, 250cc



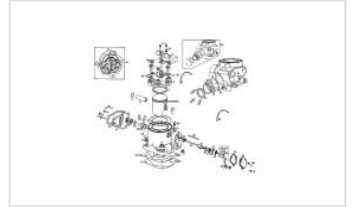
Start lever



Change



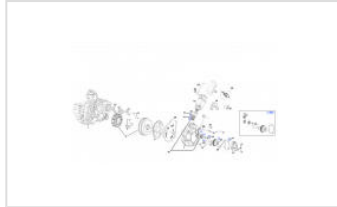
Reed valves



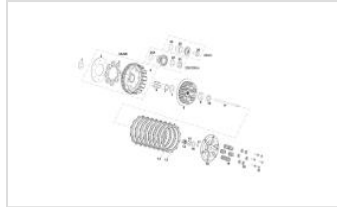
Cylinder



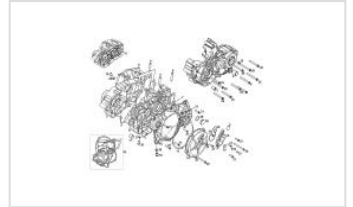
Crankshaft



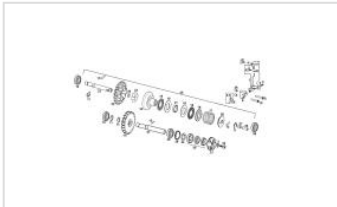
Generator



Clutch



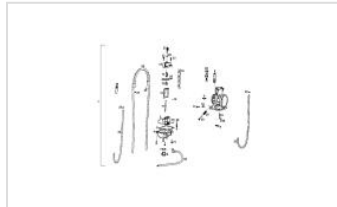
Engine crankcase



Water pump

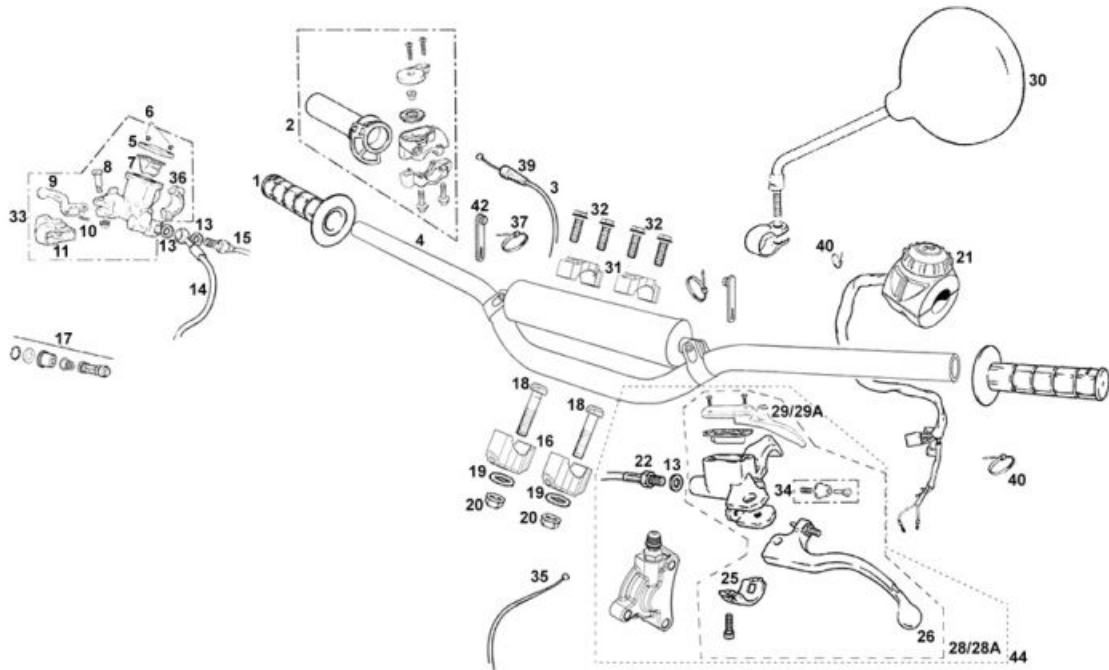


Axis of change



Carburetor

**Handlebar**

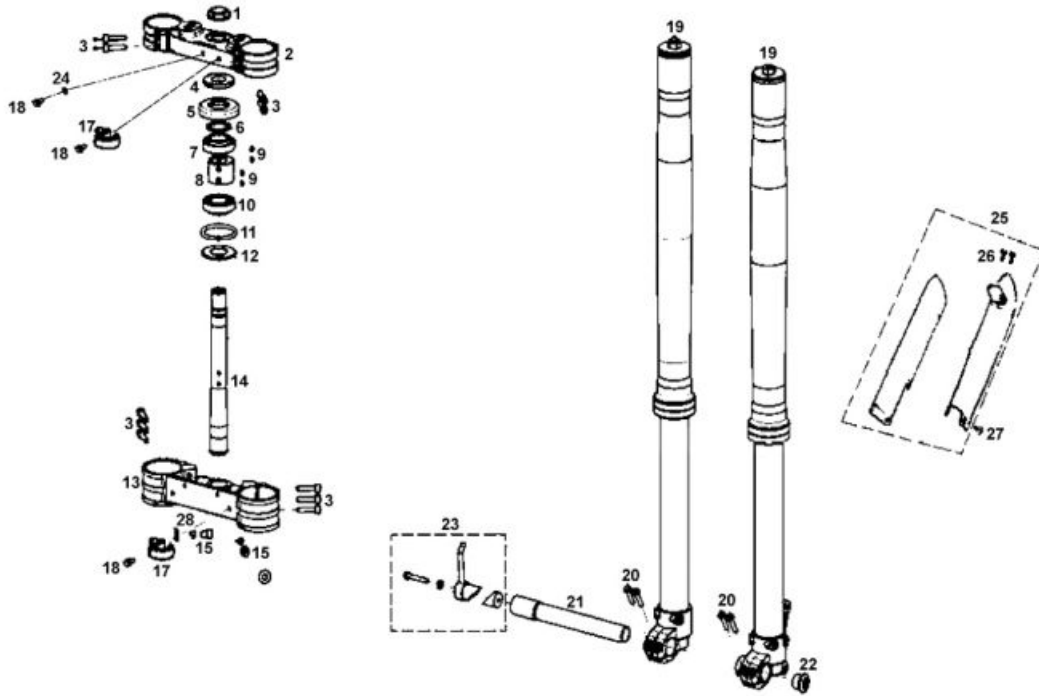


<b>1</b>	<p>RJ-MR HANDLEBAR GRIPS SET (BLACK) : BE261002511, BE250736002, BE250236002 : BE26100GG-EKF-1 0/000.530.9102 (u. 1)</p> <p><b>OBSOLETE</b> : 0/000.530.9102 : (ENDURO) HANDLEBAR GRIPS SET (BLACK) : BE261002511, BE250736002, BE250236002 BE26100GG-EKF-1 (u. 1)</p>
<b>2</b>	<p>RJ-MR THROTTLE GRIP TWIST (2001-2019) : BE25624007 : BE25724007 0/000.530.9100 (u. 1)</p> <p><b>OBSOLETE</b> : 0/000.530.9100 : (ENDURO) THROTTLE GRIP TWIST (2001-2019) : BE25624007<b>OBSOLETE</b> BE25724007 (u. 1)</p>
<b>3</b>	<p>(ENDURO) THROTTLE CABLE (2001-2017) : BE25724008, BE25824008 BE785002509 (u. 1)</p>
<b>4</b>	<p>RJ-MR HANDLEBAR (EC 2006-2018) : BE250002511, BE250624001 : BE25000GG-CAB-1 0/000.170.9100 (u. 1)</p> <p><b>OBSOLETE</b> : 0/000.170.9100 : (ENDURO) HANDLEBAR (EC 2006-2018) : BE250002511, BE250624001<b>OBSOLETE</b> BE25000GG-CAB-1 (u. 1)</p>
<b>5</b>	<p>(FRONT) BRAKE PUMP COVER BC25922210 (u. 1)</p>
<b>6</b>	<p>(FRONT) BRAKE PUMP COVER SCREW BC25922217 (u. 1)</p>
<b>7</b>	<p>NOFOAM RUBBER BC25922216 (u. 1)</p>
<b>8</b>	<p>SPECIAL BRAKE SCREW (2001-2019) BC25922212 (u. 1)</p>
<b>9</b>	<p>RIGHT BRAKE LEVER {GASGAS EC/XC 01-19} : BC250022045 BC250022045R (u. 1)</p>
<b>10</b>	<p>(ENDURO) PUMP LEVER TENSOR BC25922218 (u. 1)</p>
<b>11</b>	<p>DUST COVER BC25922213 (u. 1)</p>
<b>13</b>	<p>RJ-CLUTCH HOSE WASHER 10x4x1 : R330700 BE25622007 (u. 1)</p>

14	FRONT BRAKE HOSE {GASGAS EC/XC} : BE250022002, BE25622002 BE250422002 (u. 1)
15	RJ-INTERRUPTOR 23-016/1 STOP BOMBA NISSIN 3 0/000.720.9104 (u. 1) OBSOLETE : REAR BRAKE PUMP STOP SWITCH {GASGAS EC} : BE250034003, BE250034003/2, BE250334003/2, BE25634003 BE250334003 (u. 1)
16	HANDLEBAR CLAMP (LOWER) BE25750GG-CAB-1 (u. 1)
17	BRAKE PUMP PISTON KIT : BC25922220 BC25922219 (u. 1)
18	OBSOLETE : 0/000.460.9113 : SPECIAL BOLT 10x45 <b>OBSOLETE</b> T0201045 (u. 1) SPECIAL BOLT 10x45 : T0201045 0/000.460.9113 (u. 1)
19	WASHER 35x30x10 BE250314035 (u. 1)
20	RJ-FLANGE NUT DIN 6926 M10 : T3110003, 0/000.340.9124 0/000.340.0182 (u. 1) OBSOLETE : 0/000.340.0182 : FLANGE NUT M10-1.50 : T3110003 <b>OBSOLETE</b> 0/000.340.9124 (u. 1) OBSOLETE : 0/000.340.0182 : FLANGE NUT M10-1.50 <b>OBSOLETE</b> T3110003 (u. 1)
21	TRIALS LIGHT/BLINKER SWITCH (HOMOLOGATED) (2016) ET60200GG-CJD-1 (u. 1)
22	CLUTCH HOSE {GASGAS} : BE25622003, R310705 BE250522003 (u. 1)
25	SOP.BOMBA EMBR. <b>OBSOLETE</b> BE250022211 (u. 1)
26	CLUTCH LEVER {GASGAS EC/XC 01-17} : BE250622040 E200701 (u. 1)
28	COMPLETE HYDRAULIC CLUTCH PUMP +CAM {GASGAS EC/XC 06-17} : BE250522009 BE460002508 (u. 1) OBSOLETE : BE460002508 : (ENDURO) COMPLETE HYDRAULIC CLUTCH PUMP (2006-2017) <b>OBSOLETE</b> BE250522009 (u. 1)
29	(ENDURO) CLUTCH COVER KIT (GREEN) 180.00.109 : BE250522210 BE250622210 (u. 1) TAPETA PUMP CLUTCH+CAM EC-2008 180.00.3 BE460012508 (u. 1)
30	OBSOLETE : 0/000.990.9100 : REAR VIEW MIRROR SET : 1610010211, L300760 <b>OBSOLETE</b> BT29000GG-CKR-1 (u. 1) REAR VIEW MIRROR SET : 1610010211, L300760 : BT29000GG-CKR-1 0/000.990.9100 (u. 1) OBSOLETE : 0/000.990.9100 : (LEFT) REAR VIEW MIRROR : 1610010211 <b>OBSOLETE</b> L300760 (u. 1)
31	HANDLEBAR CLAMP (UPPER)1 BE25700GG-CAB-1 (u. 1)
32	OBSOLETE : CLAMP SCREW T0208040 (u. 1)
33	OBSOLETE : 0/000.820.9106 : (ENDURO) BRAKE MASTER CYLINDER (2001-2019): BC25922008 <b>OBSOLETE</b> BC25922008/2 (u. 1) RJ-MR BRAKE PUMP DEL.NISSIN=BC25922008/2 : BC25922008 0/000.820.9106 (u. 1)
34	KIT REP.CLUTCHOIL 150.00.593C BE250622209 (u. 1)
35	OBSOLETE : 0/000.550.9103 : STARTER CABLE {GASGAS EC/XC 09-17} : BE256012508 <b>OBSOLETE</b> BE256012509 (u. 1)

36	(FRONT) BRAKE PUMP CLAMP (BLACK) BC25922211 (u. 1)
37	UNEX CLAMP ZIP TIE : BE25634009 0/000.660.9105 (u. 1) TT-UNEX CLAMP 4.8x20 BE25634009 (u. 1)
39	THROTTLE CABLE RUBBER G600000 (u. 1)
40	OBSOLETE : 0/000.660.9106 : (ENDURO) SHORT UNEX CLAMP 2.5x98 <b>OBSOLETE</b> BE25634010 (u. 1) RJ-MR SHORT UNEX CLAMP 2.5x98 : BE25634010 0/000.660.9106 (u. 1)
42	RUBBER CABLE TIES : BFS450320067 0/000.360.9110 (u. 1) OBSOLETE : 0/000.360.9110 : RUBBER CABLE TIES <b>OBSOLETE</b> BFS450320067 (u. 1)
44	(ENDURO) CLUTCH SET (2014-2017) : BE250622005 BE45000CT2508 (u. 1)

Front suspension



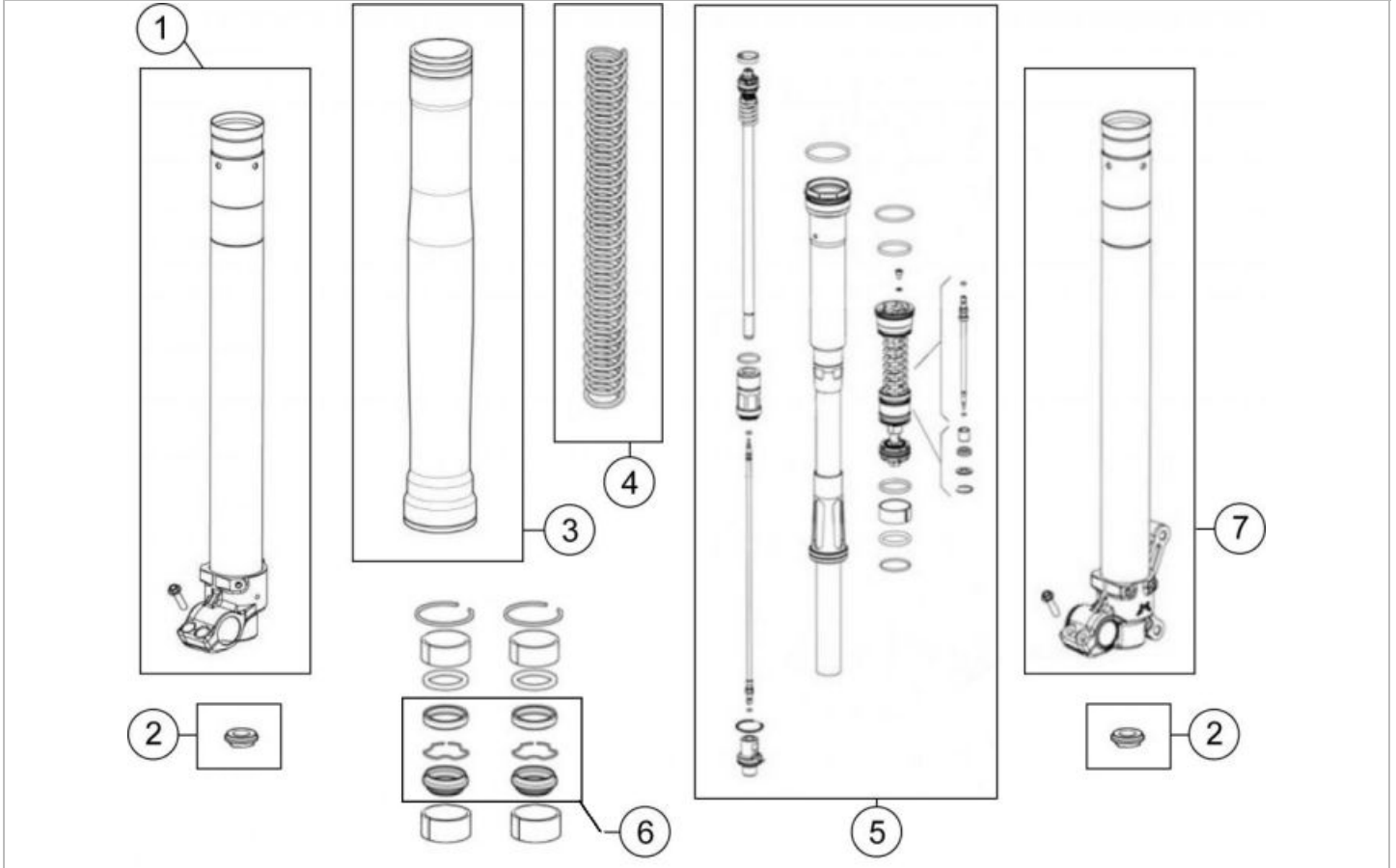
1	<p>OBSOLETE : 0/000.340.9102 : (ENDURO) STEERING SHAFT NUT : S220730 <b>OBSOLETE</b> BE25610030 (u. 1)</p> <p>RJ-MR STEERING SHAFT NUT : S220730 : BE25610030 0/000.340.9102 (u. 1)</p>
2	<p>TOP FORK CLAMP BE220002510 (u. 1)</p>
3	<p>ALLEN BOLT 7x30 : T0307030 0/000.460.9151 (u. 1)</p> <p>OBSOLETE : 0/000.460.9151 : ALLEN BOLT 7x30 <b>OBSOLETE</b> T0307030 (u. 1)</p>
4	<p>OBSOLETE : 0/000.340.9101 : (ENDURO) LOWER STEERING SHAFT NUT : S220720 <b>OBSOLETE</b> BE25610029 (u. 1)</p> <p>RJ-MR LOWER STEERING SHAFT NUT : S220720 : BE25610029 0/000.340.9101 (u. 1)</p>
5	<p>RJ-MR BEARING DUST COVER (WHITE) (STD.2018) : BE25610126 0/000.200.9102 (u. 1)</p> <p>OBSOLETE : 0/000.200.9102 : (ENDURO) BEARING DUST COVER (WHITE) (STD.2018) <b>OBSOLETE</b> BE25610126 (u. 1)</p>
6	<p>OBSOLETE : 0/000.440.9101 : (ENDURO) STEERING WASHER (2018-2019) : S220715 <b>OBSOLETE</b> BE25610028 (u. 1)</p> <p>RJ-MR STEERING WASHER (2018-2019) : S220715 : BE25610028 0/000.440.9101 (u. 1)</p>
7	<p>RJ-MR STEERING BEARING (2018-2018) : C140700 : BE25610008 0/000.960.9101 (u. 1)</p> <p>OBSOLETE : 0/000.960.9101 : (ENDURO) STEERING BEARING (2018-2018) : C140700 <b>OBSOLETE</b> BE25610008 (u. 1)</p>
8	<p>BUSHING STEERING SHAFT BE20000033012 (u. 1)</p>
9	<p>SET SCREW M6X8 BE250310073 (u. 1)</p>

10	OBSOLETE : 0/000.960.9100 : (ENDURO) STEERING BEARING (2018-2019) <b>OBSOLETE</b> BE250610008 (u. 1)
	RJ-MR STEERING BEARING (2018-2019) : BE250610008 0/000.960.9100 (u. 1)
11	RJ-MR STEERING O-RING (2018-2019) : C300700, C300701 : BE25610012 0/000.490.9102 (u. 1)
	OBSOLETE : 0/000.490.9102 : (ENDURO) STEERING O-RING (2018-2019) : C300700, C300701 <b>OBSOLETE</b> BE25610012 (u. 1)
12	OBSOLETE : 0/000.200.9101 : (ENDURO) STEERING CAP (2018-2019) <b>OBSOLETE</b> BE250610026 (u. 1)
	RJ-MR STEERING CAP (2018-2019) : BE250610026 0/000.200.9101 (u. 1)
13	BOTTOM FORK CLAMP EC2010 BE210002510 (u. 1)
14	STEERING SHAFT BE250614003 (u. 1)
15	ALLEN BOLT 8X10 : T0308010 0/000.460.9152 (u. 1)
	OBSOLETE : 0/000.460.9152 : ALLEN BOLT 8X10 <b>OBSOLETE</b> T0308010 (u. 1)
17	(ENDURO) HOSE GUIDE (WHITE) (2012-2017) BE215202511 (u. 1)
18	OBSOLETE : 0/000.460.9118 : TT-HEX FLANGE BOLT 6x14 : T0206014/2 <b>OBSOLETE</b> T0206014 (u. 1)
	HEX FLANGE BOLT 6x14 : T0206014/2 : T0206014 0/000.460.9118 (u. 1)
19	MARZOCCHI FRONT SUSPENSION 250300R BE200013013 (u. 1)
20	ALLEN BOLT 6X30 : BE250114144 : T0206030 0/000.460.9123 (u. 1)
	OBSOLETE : 0/000.460.9123 : ALLEN BOLT 6X30 : BE250114144 <b>OBSOLETE</b> T0206030 (u. 1)
21	OBSOLETE : 0/000.190.9102 : (ENDURO) (FRONT) WHEEL AXLE 208CM (2011-CURRENT) <b>OBSOLETE</b> BE53000R3011 (u. 1)
	RJ-MR (FRONT) WHEEL AXLE 208CM (2011-CURRENT) : BE53000R3011 0/000.190.9102 (u. 1)
22	RJ-MR (FRONT) WHEEL AXLE BOLT (2007-2019) : BE250718026 0/000.340.9100 (u. 1)
	OBSOLETE : 0/000.340.9100 : (ENDURO) (FRONT) WHEEL AXLE BOLT (2007-2019) <b>OBSOLETE</b> BE250718026 (u. 1)
23	RJ-MR (FRONT) AXLE PULLER : BE536002511 0/000.980.9123 (u. 1)
	OBSOLETE : 0/000.980.9123 : (ENDURO) (FRONT) AXLE PULLER <b>OBSOLETE</b> BE536002511 (u. 1)
24	WASHER 6x16x1.5 : T4006016 0/000.440.9125 (u. 1)
	OBSOLETE : 0/000.440.9125 : WASHER 6x16x1.5 <b>OBSOLETE</b> T4006016 (u. 1)
25	ENDURO FRONT FORK PROTECTORS {RIEJU 2009-2017} (BLACK) : BE946002509, BE946002511 BE946003013 (u. 1)



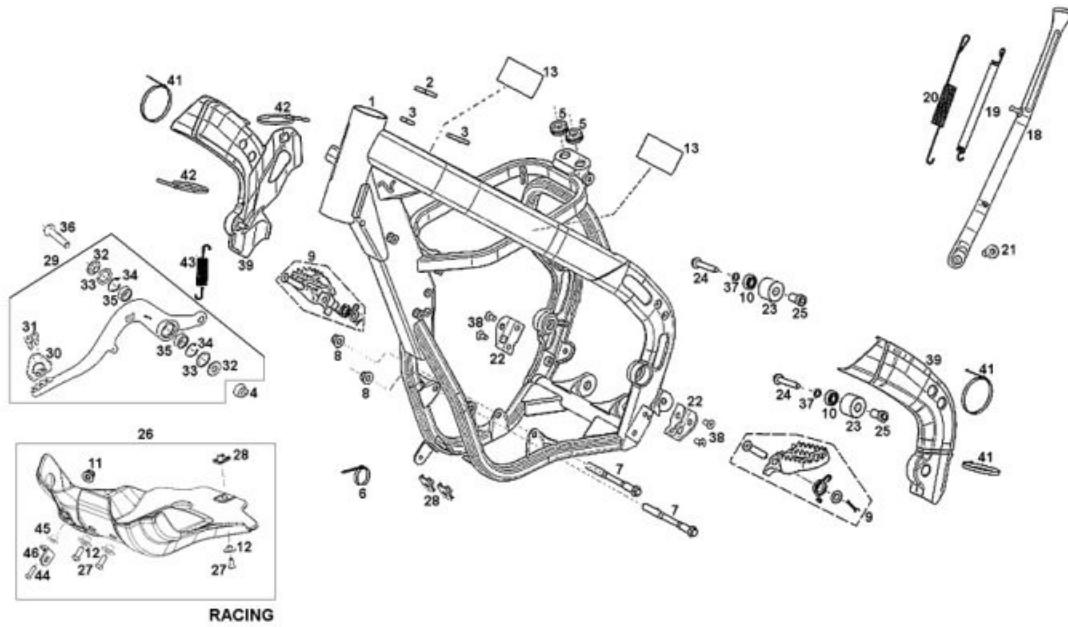
	TT-TORNILLO ESPECIAL ROSCA PLASTI T0806023 (u. 1)
	SPECIAL SCREW THREAD PLASTIC HEXAGON CABOT WITH WASHER 6x20 T0806020 (u. 1)
<b>26</b>	SPECIAL SCREW THREAD PLASTIC HEXAGON CABOT WITH WASHER 6x20 T0806020 (u. 1)
	TT-TORNILLO ESPECIAL ROSCA PLASTI T0806023 (u. 1)
	TT-TORNILLO ESPECIAL ROSCA PLASTI T0806023 (u. 1)
<b>27</b>	OBSOLETE : SPECIAL SCREW CAP 6X13 SM T0316013 (u. 1)
<b>28</b>	OBSOLETE : 0/000.440.0160 : FLAT WASHER 8x16 : T4008017 <b>OBSOLETE</b> T4008016 (u. 1)
	RJ-FLAT WASHER 8x16 : T4008017, T4008016 0/000.440.0160 (u. 1)

Front fork



1	(ENDURO) (RIGHT) MARZ. COMPLETE SUSPENSION BAR 819578/R (u. 1)
2	NUT FIJ.SM RACING 521257CH/P (u. 1)
3	GR.TUBE NE D 48 RIC. 760204LA/C (u. 2)
4	OBSOLETE : KIT SPRING Y5142050 K4.2 D.48 <b>OBSOLETE</b> 8501645/C (u. 1)
	KIT SPRING Y5142052 K4.6 D.48 8501648/C (u. 1)
	KIT SPRING Y5142051 K4.4 D.48 8501647/C (u. 1)
	OBSOLETE : KIT SPRING Y5142054 K 5.0 D.48 <b>OBSOLETE</b> 8501650/C (u. 1)
5	CARTRIDGE COMP.D48 F/A-F/R 8032082/P (u. 2)
6	OBSOLETE : KIT SEAL + DUSTKEEPER D.48 USD 8501639/C (u. 1)
7	(ENDURO) (LEFT) MARZ. COMPLETE SUSPENSION BAR 819579/R (u. 1)

Chasis

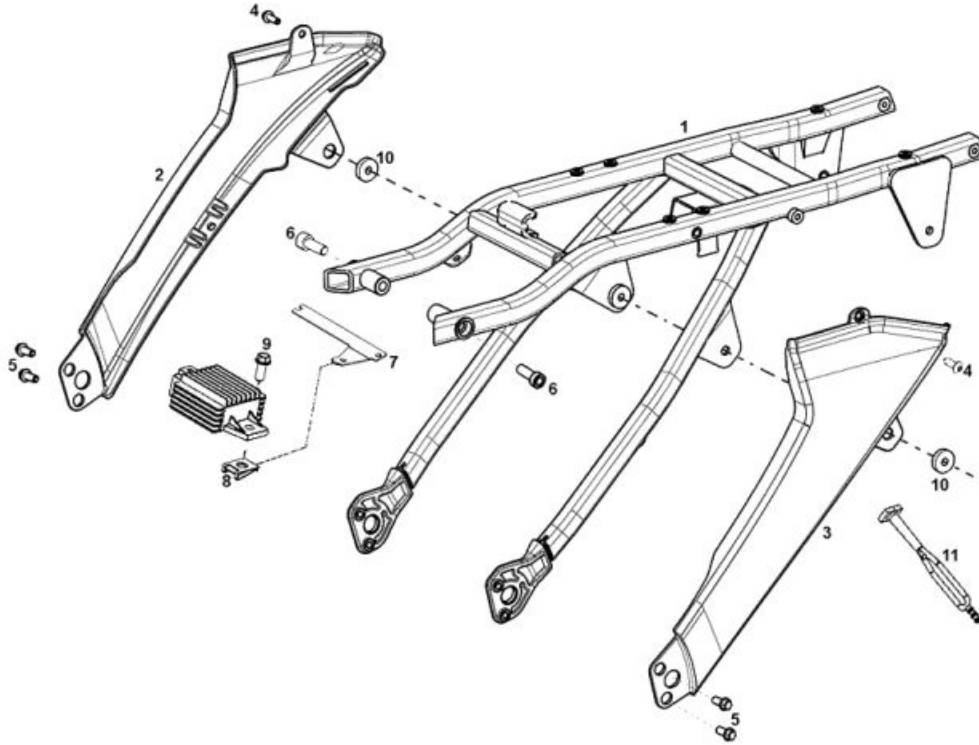


1	(ENDURO) COMPLETE FRAME (RED) (2014-2017) BE10000CT-CAB-1 (u. 1)
2	SQUARE RUBBER ADHESIVE 25x25x5 BE10000303012 (u. 1)
3	STRIP RUBBER ADHESIVE 35X10X5 BE10000313012 (u. 1)
4	NYLOC FLANGE NUT 8mm : T2208002/2, T2208002/3 : T2208002 0/000.340.9119 (u. 1) OBSOLETE : 0/000.340.9119 : NYLOC FLANGE NUT 8mm : T2208002/2, T2208002/3 <b>OBSOLETE</b> T2208002 (u. 1)
5	(ENDURO) SILENCER BLOCK (2001-2017) : G590720, BE25626005 BE250026005 (u. 1)
6	UNEX CLAMP ZIP TIE : BE25634009 0/000.660.9105 (u. 1) TT-UNEX CLAMP 4.8x20 BE25634009 (u. 1)
7	OBSOLETE : 10X118 ALLEN BOLT T0210118 (u. 1)
8	10MM NUT (1.25) : T3110002 0/000.340.9123 (u. 1) OBSOLETE : 0/000.340.9123 : 10MM NUT (1.25) <b>OBSOLETE</b> T3110002 (u. 1)
9	(ENDURO) FOOT PEG SET (WIDE) (2014-2017) BE14005CT-CEQ-1 (u. 1)
10	BALL BEARING, SKF-608-2R51 BE05000033013 (u. 1)

	RJ-FLANGE NUT 6926 M6 Cal.8 Z : T2206002, 0/000.340.9117 0/000.340.0170 (u. 1)
11	TT-HEX FLANGE NUT W/ NYLON INSERT M6 DIN-6926 T2206002 (u. 1)  OBSOLETE : 0/000.340.0170 : HEX FLANGE NUT W/ NYLON INSERT M6 DIN-6926 : T2206002 <b>OBSOLETE</b> 0/000.340.9117 (u. 1)
12	(ENDURO) CRANKCASE PROTECTOR CAP M8 BE11511GG-CAB-1 (u. 1)
13	OBSOLETE : STICKER, PROT.CHAS. AT LWR RAD.CVR 2014 BE95154GG-CAW-1 (u. 1)
18	(ENDURO) KICKSTAND ARM : BE142003013CT BE142003013 (u. 1)
19	INTERNAL SIDE STAND SPRING BE10000523012 (u. 1)
20	SUPPORT OUTER SPRING BE250510039 (u. 1)
21	(ENDURO) KICKSTAND ATTACHMENT BOLT BE142203013 (u. 1)
22	(ENDURO) FOOT PEG SUPPORT (2014-2017) BE14090GG-CEQ-1 (u. 1)
23	WHEEL FOR SECONDARY DRIVE BE05000013013 (u. 1)
24	OBSOLETE : SPECIAL SCREW 8x50 T0208050 (u. 1)
25	CHAIN ROLLER BUSH BE14235GG-CAB-1 (u. 1)
26	OBSOLETE : (ENDURO) SKID PLATE (2012-2017) : BE90000393012 BE11500GG-CAW-1 (u. 1)
27	OBSOLETE : BUTTONHEAD ALLEN BOLT 8x20 (SKIDPLATE) : T0508022 T0508020 (u. 1)
28	CAGE NUT 8MM BT280010041 (u. 1)
29	(ENDURO) (REAR) BRAKE LEVER ASSY BE13000CT-CAB-1 (u. 1)
30	(ENDURO) BRAKE PEDAL BE130102510 (u. 1)
31	TT-ALLEN BOLT 5x12 T0305012 (u. 1)
32	(REAR) BRAKE LEVER BUSHING BE15000023012 (u. 1)
33	DOGBONE SEAL 15x21x2 C230001 (u. 1)
34	SEEGER DIN 472 D19X1 SE01190100109 (u. 1)
35	OBSOLETE : BALL BEARING REAR BRAKE LEVER RD0108019006A (u. 1)
36	OBSOLETE : CLAMP SCREW T0208040 (u. 1)
37	OBSOLETE : WASHER 8x15 T4006512 (u. 1)
38	OBSOLETE : T0408016 : BOLT CONICOL TORX 8X16 <b>OBSOLETE</b> T0458016 (u. 1)  FLAT ALLEN HEAD PLOW BOLT 8x16 ZINC T0408016 (u. 1)
39	RIEJU/GASGAS FRAME PROTECTOR KIT (BLACK) (2012-2017) : BE200303013, BE200313013 BE190003013CT (u. 1)

41	ZIP TIE 48x36 : BE25634007 0/000.660.9104 (u. 1)
	OBSOLETE : 0/000.660.9104 : ZIP TIE 48x36 <b>OBSOLETE</b> BE25634007 (u. 1)
42	OBSOLETE : 0/000.680.9100 : ZIP TIE 36x140 <b>OBSOLETE</b> BE250022031 (u. 1)
	ZIP TIE 36x140 : BE250022031 0/000.680.9100 (u. 1)
43	OBSOLETE : 0/000.470.9100 : (ENDURO) BRAKE PEDAL SPRING <b>OBSOLETE</b> BE13015GG-CAB-1 (u. 1)
	RJ-MR BRAKE PEDAL SPRING : BE13015GG-CAB-1 0/000.470.9100 (u. 1)
44	BUTTONHEAD ALLEN BOLT 6x20 T0506020 (u. 1)
45	(ENDURO) CHAINGUARD BUSHING (2007) BE250720106 (u. 1)
46	CRANKCASE PROT. SUPPORT EC250-300 2014 BE11504GG-CAW-1 (u. 1)

Rear frame



RJ-MR ALUMINUM SUBFRAME : BE12000CT-CAB-1, BE12000CT-EKF-1  
0/000.010.9104 (u. 1)

1 OBSOLETE : 0/000.010.9104 : (ENDURO) ALUMINIUM SUBFRAME (2014-2015) : BE12000CT-CAB-1 **OBSOLETE**  
BE12000CT-CAB-1 (u. 1)

OBSOLETE : 0/000.010.9104 : (ENDURO) ALUMINIUM SUB-FRAME (2017) **OBSOLETE**  
BE12000CT-EKF-1 (u. 1)

2 (ENDURO) (RIGHT) SUB-FRAME SIDE TRIM (BLACK) (2013-2017)  
BE122003013 (u. 1)

3 (ENDURO) (LEFT) SUB-FRAME SIDE TRIM (BLACK) (2012-2017)  
BE122053013 (u. 1)

ISO 7380 Torx T-25 SCREW W/ WASHER M5x16 INOX  
0/000.460.0083 (u. 1)

4 OBSOLETE : 0/000.460.9155 : BUTTONHEAD ALLEN BOLT 5X16 **OBSOLETE**  
T0505016 (u. 1)

OBSOLETE : 0/000.460.0083 : BUTTONHEAD ALLEN BOLT 5X16 : T0505016  
0/000.460.9155 (u. 1)

5 TT-HEX HEAD WASHER 6x16  
T0206016 (u. 1)

HEX FLANGE SCREW 6x16 : T0206016/2, T0106016N, T0106016, BE25618032, BE250018029 : T0206016  
0/000.460.9119 (u. 1)

6 OBSOLETE : ALLEN BOLT 8X35 (LOWER CALIPER MOUNT)  
T0308035 (u. 1)

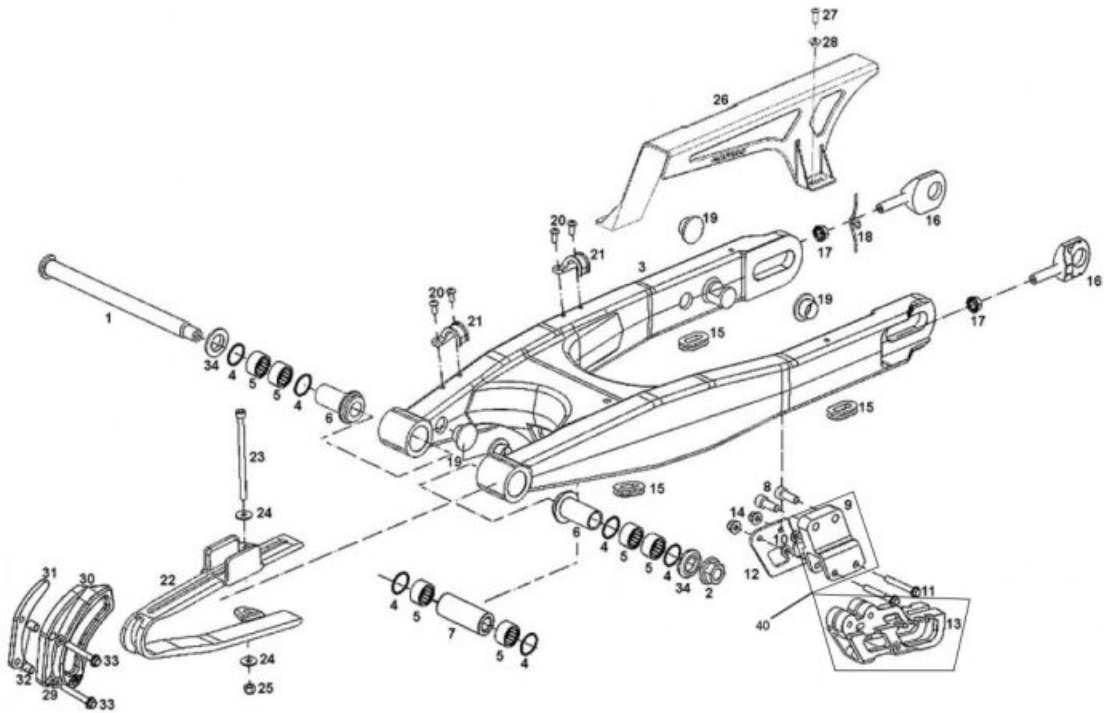
7 REGULATOR SUPPORT  
BE12310GG-CAB-1 (u. 1)

8 CAGE NUT 6mm : T2606000  
0/000.340.9120 (u. 1)

TT-CAGE NUT 6mm  
T2606000 (u. 1)

9	TT-HEX HEAD WASHER 6x16 T0206016 (u. 1)
	HEX FLANGE SCREW 6x16 : T0206016/2, T0106016N, T0106016, BE25618032, BE250018029 : T0206016 0/000.460.9119 (u. 1)
10	(ENDURO) RADIATOR SHROUD BUSHING BE250032060 (u. 1)
11	OBSOLETE : 0/000.360.9100 : (ENDURO) RUBBER STAND (2018-2019) <b>OBSOLETE</b> BE14205GG-CEQ-1 (u. 1)
	RJ-MR RUBBER STAND (2018-2019) : BE14205GG-CEQ-1 0/000.360.9100 (u. 1)

Swingarm



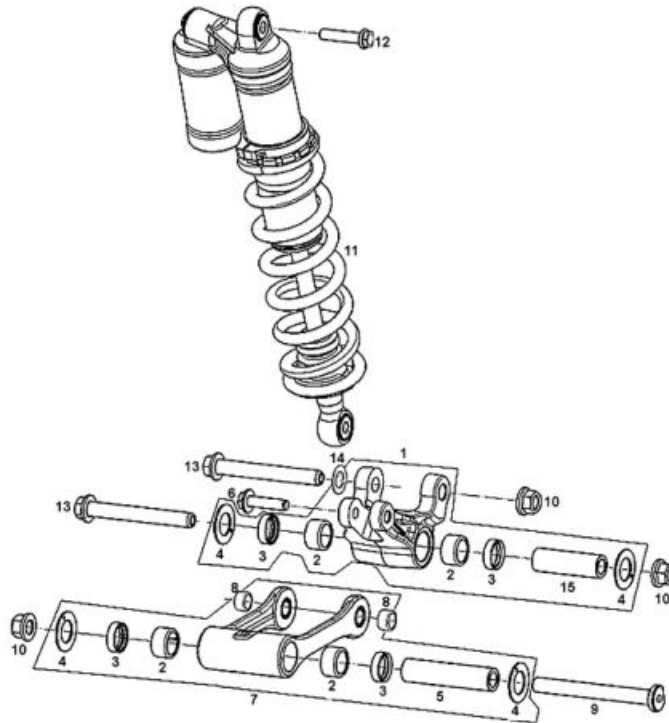
1	SWINGARM AXLE BE44500GG-CAB-1 (u. 1)
2	RJ-MR SWINGARM NUT : B260700 : BE25612009 0/000.340.9103 (u. 1)
3	GREY PAINTED SWINGARM EC : BE40000GG-CDH-1 BE40000GG-CEQ-1 (u. 1)
4	(ENDURO) O-RING 35x21 (2005-2017) BE250510011 (u. 1)
5	SKF NEEDLE BEARING {GASGAS EC 2001-2017} BE25614010/SKF (u. 1)
	NEEDLES BEARING DL2216 : C110700 BE25614010 (u. 1)
	OBSOLETE : BE25614010 : NEEDLE- BEARING BE25614010/2 (u. 1)
6	SWINGARM BUSH BE44515GG-CAB-1 (u. 1)
7	BUSHING 14x22x57 : B360700, BE250310914 BE25612014 (u. 1)
8	ALLEN BOLT 8X20 : T0308020/2 T0308020 (u. 1)
9	ALUMINUM CHAIN GUIDE SUPPORT (GASGAS EC/XC 01-10) BC250221018 (u. 1)
10	TT-WASHER 6x12x1.5 T4006012 (u. 1)
	WASHER 6x12x1.5 : P220006 : T4006012 0/000.440.9124 (u. 1)



11	OBSOLETE : SPECIAL SCREW 6X45 : MFS400116352 T0206045 (u. 1)
	HEAD SCREW 6x40 : MFS400116351 : T0206040 0/000.460.9125 (u. 1)
12	2004 CROSS CHAIN GUIDE STRAIN PLATE MCSM BC250412032 (u. 1)
13	CROSS CHAIN GUIDE BE420002511 (u. 1)
	CROSS CHAIN GUIDE (RED) BE420002511RO (u. 1)
14	TT-HEX FLANGE NUT W/ NYLON INSERT M6 DIN-6926 T2206002 (u. 1)
	RJ-FLANGE NUT 6926 M6 Cal.8 Z : T2206002, 0/000.340.9117 0/000.340.0170 (u. 1)
	OBSOLETE : 0/000.340.0170 : HEX FLANGE NUT W/ NYLON INSERT M6 DIN-6926 : T2206002 <b>OBSOLETE</b> 0/000.340.9117 (u. 1)
15	SWINGARM PROTECTOR RUBBER BE25836005 (u. 1)
16	OBSOLETE : WHEEL TENSOR : BE250418022, BE25818022, BE250418022CT BFS440004513 (u. 1)
17	NUT 10x1.5 : ME25616031 : M01613001 0/000.340.9105 (u. 1)
	OBSOLETE : 0/000.340.9105 : NUT 10x1.5 : ME25616031 <b>OBSOLETE</b> M01613001 (u. 1)
18	REAR WHEEL TENSION SPRING BE250718122 (u. 1)
	REAR WHEEL TENSOR SPRING BE44010GG-CAB-1 (u. 1)
19	SWING ARM CAP BE250436001 (u. 1)
20	OBSOLETE : BUTTONHEAD ALLEN BOLT 5x12 T0505012 (u. 1)
21	OBSOLETE : 0/000.630.9101 : (ENDURO) SWINGARM HOSE HOLDER (2018-2019) <b>OBSOLETE</b> BE25612006 (u. 1)
	RJ-SWINGARM HOSE HOLDER {GASGAS EC/XC 18-19} : BE25612006 0/000.630.9101 (u. 1)
22	RJ-CHAIN SLIDER {RIEJU/GASGAS EC/XC} (BLACK) : B530701, BE250112015, BE25612015 BE420502508 (u. 1)
	(ENDURO) CHAIN SLIDER (RED) (2013) BE420502508RO (u. 1)
23	ALLEN BOLT 6x100 T03060100 (u. 1)
24	OBSOLETE : WASHER 6x18x1.5 <b>OBSOLETE</b> T4006018 (u. 1)
	WASHER 6x18x1.5 : T4006018 0/000.440.9126 (u. 1)
25	OBSOLETE : NUT 6mm T2106002 (u. 1)
26	(ENDURO) CHAIN PROTECTOR (BLACK) (2007-2017) : BE250428011 BE250328011 (u. 1)
27	OBSOLETE : BUTTONHEAD ALLEN BOLT 6x16 T0506016 (u. 1)
28	(ENDURO) CHAINGUARD BUSHING (2007) BE250720106 (u. 1)
29	WASHER 6x12x1.5 : P220006 : T4006012 0/000.440.9124 (u. 1)

30	PLASTIC GEAR PROTECTOR (BLACK) : BE48600F2511, ME250036121 BE486002508 (u. 1)
31	SPROCKET PROTECTOR BRACKET EC RACING ME25636021R (u. 1) GEAR PROTECTOR BRACKET ME25636021 (u. 1)
32	LOAD LIMITER BUSH : ME250036019 0/000.980.9112 (u. 1)
33	HEAD SCREW 6x40 : MFS400116351 : T0206040 0/000.460.9125 (u. 2)
34	SWINGARM BUSH TRIM BE44510GG-CAB-1 (u. 1)
40	CHAIN TIGHTER SET : BE25612018CT BE42000CT2509 (u. 1)

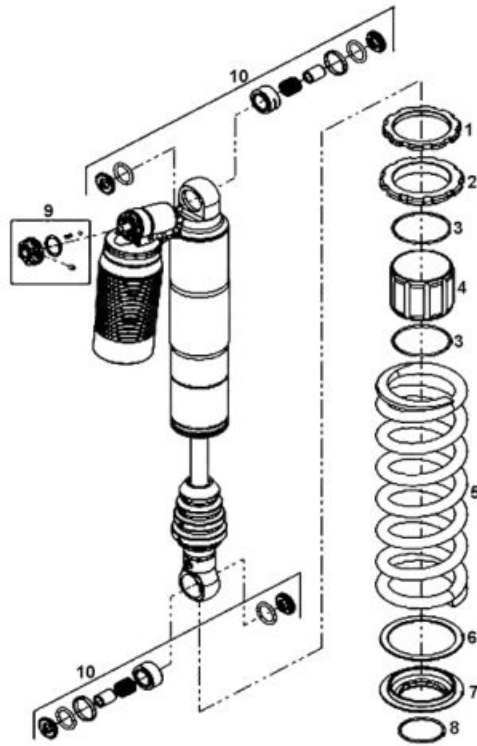
## Rear shock absorber



1	COMPLETE ROCKER ARM BE32000NCT3011 (u. 1)
2	NEEDLES BEARING DL2216 : C110700 BE25614010 (u. 1)
3	SKF NEEDLE BEARING {GASGAS EC 2001-2017} BE25614010/SKF (u. 1)
3	SHOCK SEAL 28x22x8 {GASGAS EC/XC 11-17} BE32025N3011 (u. 1)
4	WASHER G (REF.GTM-2238-015) T4003822 (u. 1)
5	CONNECTING ROD BUSHING BF30000024512 (u. 1)
6	OBSOLETE : BOLT M10x40x125 T0110042 (u. 1)
7	LINKAGE KIT BF30000014512CT (u. 1)
8	CONNECTING ROD-BUSHING {GASGAS EC 2001-2017} BE25642002 (u. 1)
9	LINKAGE AXLE BF30000034512 (u. 1)
10	OBSOLETE : 0/000.340.9103 : (ENDURO) SWINGARM NUT : B260700 <b>OBSOLETE</b> BE25612009 (u. 1)
10	RJ-MR SWINGARM NUT : B260700 : BE25612009 0/000.340.9103 (u. 1)
11	SHOCK ABSORBER BE30000GG-CAW-1 (u. 1)
12	OBSOLETE : FLANGE SCREW 10x45 PAS 125 DACROMET T0210045 (u. 1)
13	OBSOLETE : BOLT, 14X110 1.50 THREAD. 25 12.9 : T0214110 <b>OBSOLETE</b> T0214110R (u. 1)

<b>14</b>	OBSOLETE : WASHER, PAMPERA FRT WHEEL T4015025 (u. 1)
<b>15</b>	(ENDURO) PULL ROD BEARINGS BUSHING BE32020N3011 (u. 1)

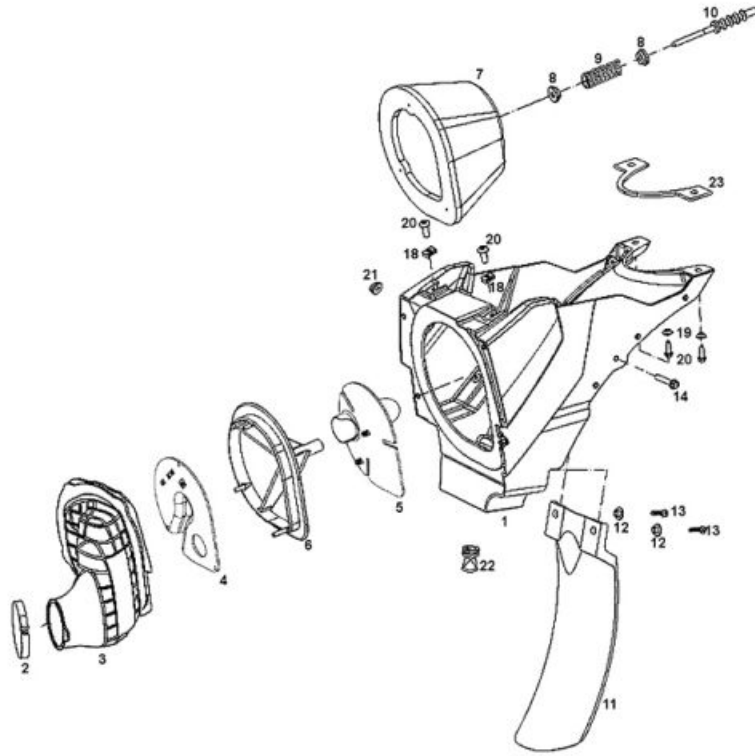
**Dock guide**



- |          |                                                              |
|----------|--------------------------------------------------------------|
| <b>1</b> | <b>SPRING SEAT LOCK RING (RACING)</b><br>460.5.15.124 (u. 1) |
| <b>2</b> | <b>SPRING SEAT (RACING)</b><br>460.5.15.125 (u. 1)           |
| <b>3</b> | <b>LOCK RING</b><br>9.47.80.2.00 (u. 1)                      |
| <b>4</b> | <b>GUIDE BUSH</b><br>460.5.60.38 (u. 1)                      |

	SPRING REIGER 40-280 RRS59146 (u. 1)
	SPRING REIGER 64-280 RRS5982 (u. 1)
	SPRING REIGER 54-280 RRS5949 (u. 1)
	SPRING REIGER 58-280 RRS5976 (u. 1)
	SPRING REIGER 44-280 RRS5971 (u. 1)
	Cannon Racecraft - REAR SHOCK SPRINGS 5.4 RATE (KYB/REIGER) {GASGAS/RIEJU 14->} 5927054 (u. 1)
<b>5</b>	SPRING REIGER 50-280 RRS5922 (u. 1)
	SPRING REIGER 56-280 RRS5963 (u. 1)
	SPRING REIGER 42-280 RRS5980 (u. 1)
	Cannon Racecraft - REAR SHOCK SPRINGS 5.8 RATE (KYB/REIGER) {GASGAS EC/XC 14-19, RIEJU MR 21 ->} 5927058 (u. 1)
	SPRING REIGER 60-280 RRS59339 (u. 1)
	SPRING REIGER 52-280 RRS5946 (u. 1)
<b>6</b>	SPRING SLIOF PLATE 460.5.15.127 (u. 1)
<b>7</b>	LOWER SPRING SEAT (RACING) 460.5.15.126 (u. 1)
<b>8</b>	RETANING RING 9.36.50.2.00 (u. 1)
<b>9</b>	COMPRESSION ADJUSTER KNOB SET 234.3.09.23.A (u. 1)
<b>10</b>	BEARING REPAIR SET 460.5.07.93.A (u. 1)

**Inlet**

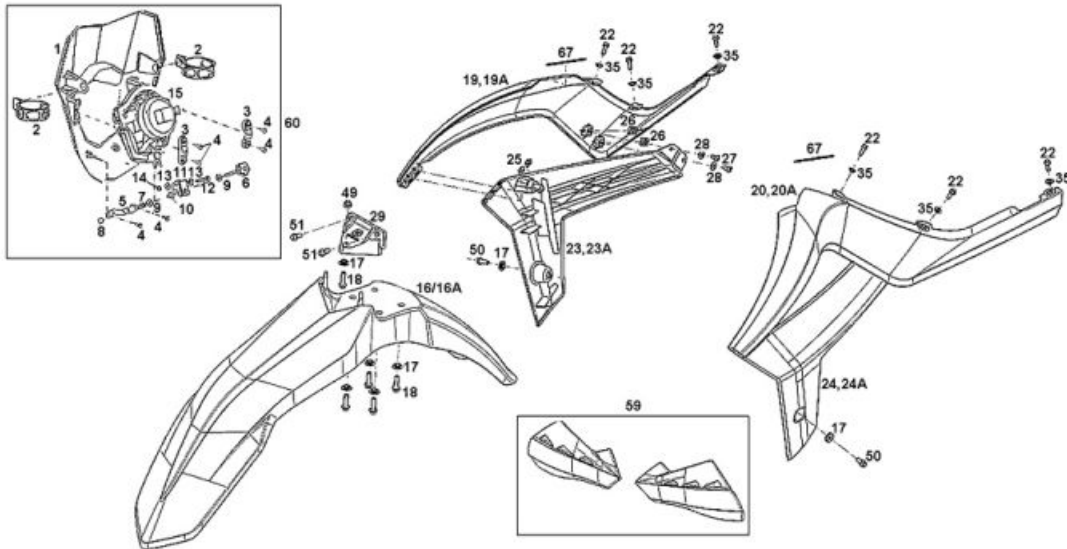


1	(ENDURO) FILTER BOX (2014-2017) BE79000CT-CAB-1 (u. 1)
2	OBSOLETE : 0/000.680.9101 : (ENDURO) CLAMP 50-70/9 <b>OBSOLETE</b> BE250328033 (u. 1)
3	RJ-MR CLAMP 50-70/9 : BE250328033 0/000.680.9101 (u. 1)
4	RUBBER TUBE FILTER BOX : BE250128017, BE25628017, G520700 BE250128017/2 (u. 1)
5	FILTER BOX AIR RESTRICTOR BE798002508 (u. 1)
6	REAR AIR FILTER RESTRICTION EC 2008 BE798052508 (u. 1)
7	(ENDURO) AIR FILTER CARRIER (BLACK) (2007-2017) BE250628002 (u. 1)
8	(ENDURO) AIR FILTER OEM158046X BE250728000 (u. 1)
9	Twin Air - (ENDURO) AIR FILTER (125,250,300cc) (2007-2017) 158046 (u. 1)
10	RJ-MR AIR FILTER NYLON WASHER (2018-2019) : BE250728052 0/000.440.9100 (u. 1)
11	OBSOLETE : 0/000.440.9100 : (ENDURO) AIR FILTER NYLON WASHER (2018-2019) <b>OBSOLETE</b> BE250728052 (u. 1)
12	OBSOLETE : 0/000.470.9105 : (ENDURO) AIR FILTER BOX SPRING (2018-2019) : BE79525GG-CAK-1 <b>OBSOLETE</b> BE250728051 (u. 1)
13	RJ-MR AIR FILTER BOX SPRING (2018-2019) : BE79525GG-CAK-1 : BE250728051 0/000.470.9105 (u. 1)

	BE250728003 : AIR FILTER SUPPORT ROD (SILVER) (2018-2019) : MF25000032512 0/000.980.9117 (u. 1)
10	OBSOLETE : 0/000.980.9117 : AIR FILTER SUPPORT ROD (SILVER) (2012-2017) <b>OBSOLETE</b> MF25000032512 (u. 1)  AIR FILTER BOLT {GASGAS EC/XC 18 → } (RED) BE250728003 (u. 1)
11	RJ-REAR SHOCK PROTECTOR {GASGAS EC/XC 18-19, RIEJU MR RACING/PRO 2021->} (BLACK) : BE25620008, BP25720060, P320104, P320700 : BE79555GG-CLJ-1 0/000.220.9117 (u. 1)  OBSOLETE : 0/000.220.9117 : (ENDURO) (REAR) SHOCK PROTECTOR (BLACK) (2018) : BE25620008, BP25720060, P320104, P320700 <b>OBSOLETE</b> BE79555GG-CLJ-1 (u. 1)
12	EC PROTECTOR SHOCK BUSHING (2007) BE250728059 (u. 1)
13	OBSOLETE : PLASTIC BOLT 45x20 BE250728058 (u. 1)
14	HEX BOLT 6x20 10.9 : T0206020/2, T0206020/3 : T0206020 0/000.460.9120 (u. 1)  TT-BOLT 6x20 T0206020 (u. 1)
18	TT-NUT TRT M5 GEOMET T810599990001 (u. 1)
19	FIXING PLASTIC CAP T90052080004M (u. 1)
20	OBSOLETE : 0/000.460.0083 : BUTTONHEAD ALLEN BOLT 5X16 : T0505016 0/000.460.9155 (u. 1)  ISO 7380 Torx T-25 SCREW W/ WASHER M5x16 INOX 0/000.460.0083 (u. 1)  OBSOLETE : 0/000.460.9155 : BUTTONHEAD ALLEN BOLT 5X16 <b>OBSOLETE</b> T0505016 (u. 1)
21	(ENDURO) RADIATOR SHROUD BUSHING BE250032060 (u. 1)
22	(ENDURO) AIR BOX DRAIN NIPPLE (2012-2017) BT280228032 (u. 1)
23	GASKET STICKER AIX BOX REAR LICENSE PLATE HOLDER BE79045GG-EKF-1 (u. 1)



Front body

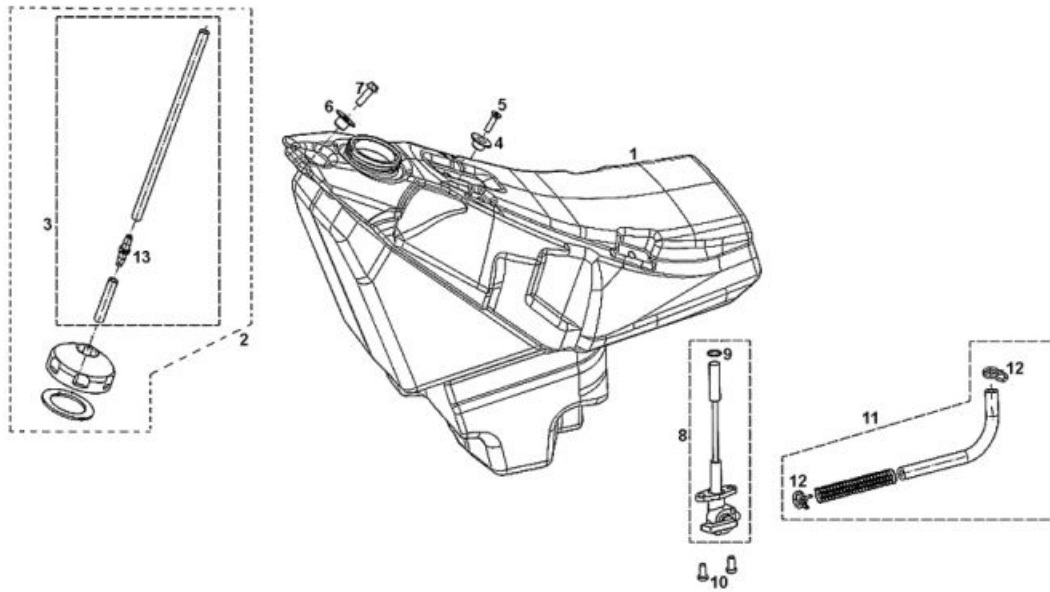


1	ENDURO FRONT HEADLIGHT SHELL {RIEJU 2012-2017} (RED) BE90000103013 (u. 1)
2	RJ-MR RUBBER HEADLIGHT HOLDER : BE25636015 0/000.360.9102 (u. 1) OBSOLETE : 0/000.360.9102 : (ENDURO) RUBBER HEADLIGHT HOLDER <b>OBSOLETE</b> BE25636015 (u. 1)
3	OBSOLETE : 0/000.980.9104 : (ENDURO) PLASTIC LIGHT SUPPORT (WHITE) (2012- 2019) <b>OBSOLETE</b> BE905102511 (u. 1) RJ-MR PLASTIC LIGHT SUPPORT (WHITE) (2012- 2019) : BE905102511 0/000.980.9104 (u. 1)
4	OBSOLETE : 0/000.460.9160 : SPECIAL PLASTIC BOLT 4x12 <b>OBSOLETE</b> T0804012 (u. 1) SPECIAL PLASTIC BOLT 4x12 : T0804012 0/000.460.9160 (u. 1)
5	RJ-MR HEADLIGHT LIGHT BRACKET : BE90000033012 0/000.980.9103 (u. 1) OBSOLETE : 0/000.980.9103 : (ENDURO) HEADLIGHT LIGHT BRACKET <b>OBSOLETE</b> BE90000033012 (u. 1)
6	RJ-MR HEADLIGHT REGULATOR BOLT : BE35000013012 0/000.460.9106 (u. 1) OBSOLETE : 0/000.460.9106 : (ENDURO) HEADLIGHT REGULATOR BOLT <b>OBSOLETE</b> BE35000013012 (u. 1)
7	RJ-SCREW REG LAMP SPRING : BX250020026 0/000.470.9107 (u. 1) OBSOLETE : 0/000.470.9107 : SCREW REG LAMP SPRING <b>OBSOLETE</b> BX250020026 (u. 1)
8	TT-SELFLOCKING NUT M5 T2105000 (u. 1) NYLOC NUT 5mm : 25049629, 12549633 : T2105000 0/000.340.9112 (u. 1)

9	TT-WASHER 5x12x1.5 T4005012 (u. 1)
	WASHER 5x12x1.5 : T4005012 0/000.440.9121 (u. 1)
10	OBSOLETE : 0/000.480.9128 : ALUMINIUM BUSHING 55x10x6 <b>OBSOLETE</b> T90055100006M (u. 1)
	RJ-ALUMINIUM BUSHING 55x10x6 : T90055100006M 0/000.480.9128 (u. 1)
11	OBSOLETE : 0/000.980.9106 : (ENDURO) HEADLIGHT REINFORCEMENT BRACKET <b>OBSOLETE</b> EE20000013012 (u. 1)
	RJ-MR HEADLIGHT REINFORCEMENT BRACKET : EE20000013012 0/000.980.9106 (u. 1)
12	OBSOLETE : 0/000.460.9144 : ALLEN BOLT 4x25 ZINC DIN 912 <b>OBSOLETE</b> T0304025 (u. 1)
	ALLEN BOLT 4x25 ZINC DIN 912 : T0304025 0/000.460.9144 (u. 1)
13	WASHER 4x12x1 : T4004012 0/000.440.9119 (u. 1)
	OBSOLETE : 0/000.440.9119 : WASHER 4x12x1 <b>OBSOLETE</b> T4004012 (u. 1)
14	OBSOLETE : 0/000.340.9111 : NYLOC NUT 4mm <b>OBSOLETE</b> T2104000 (u. 1)
	NYLOC NUT 4mm : T2104000 0/000.340.9111 (u. 1)
15	OBSOLETE 0/000.600.0270 : FRONT HEADLIGHT {GASGAS 2011-} EE200002511 (u. 1)
	RJ-MR COMPLETE HEADLAMP BEAM UNIT: EE200002511 0/000.600.0270 (u. 1)
	RJ-COMPLETE HEADLAMP BEAM UNIT 0/000.600.0260 (u. 1)
16	(FRONT) ENDURO FENDER W/ GRAPHIC (2012-2017) BE91000CT-EKF-1 (u. 1)
	FRONT FENDER {RIEJU 2012-2017} (RED) : BE910013013, BE90000143012 BE90000143012 (u. 1)
17	(ENDURO) RADIATOR SHROUD BUSHING BE250032060 (u. 1)
18	HEX BOLT 6x20 10.9 : T0206020/2, T0206020/3 : T0206020 0/000.460.9120 (u. 1)
	TT-BOLT 6x20 T0206020 (u. 1)
19	ENDURO UPPER RIGHT RADIATOR COVER {RIEJU 2014, 2017} (RED) : BE90000043012 BE915063013 (u. 1)
	(ENDURO) (RIGHT) UPPER RADIATOR SHROUD W/ DECAL (RED) (2012-2017) BE91500CT-EKF-1 (u. 1)
20	(ENDURO) (UPPER LEFT) RADIATOR SHROUD (RED W/ DECAL) (2012-2017) BE92005CT-EKF-1 (u. 1)
	ENDURO UPPER LEFT RADIATOR COVER {RIEJU 2014, 2017} (RED) : BE90000053012 BE920063013 (u. 1)
22	ISO 7380 Torx T-25 SCREW W/ WASHER M5x16 INOX 0/000.460.0083 (u. 1)
	OBSOLETE : 0/000.460.0083 : BUTTONHEAD ALLEN BOLT 5X16 : T0505016 0/000.460.9155 (u. 1)
	OBSOLETE : 0/000.460.9155 : BUTTONHEAD ALLEN BOLT 5X16 <b>OBSOLETE</b> T0505016 (u. 1)

23	ENDURO LOWER RIGHT RADIATOR COVER {RIEJU 2015-2017} (BLACK) BE91510GG-CEQ-1 (u. 1)
	ENDURO RIGHT LOWER RADIATOR COVER {RIEJU 2012-2017} (BLACK W/ DECAL) BE91510CT-EKF-1 (u. 1)
24	(ENDURO) (LEFT) RADIATOR COVER (BLACK) (2015-2017) : BE90000073012 BE92010GG-CEQ-1 (u. 1)
	ENDURO LEFT LOWER RADIATOR COVER {RIEJU 2012-2017} (BLACK W/ DECAL) BE92010CT-EKF-1 (u. 1)
25	FIXING CLIP SIDE COVERS BE35000083012 (u. 1)
26	OBSOLETE : CAGE NUT 02130035 : BX250020029/2 BX250020029 (u. 1)
27	SCREW 48x13 T0606013 (u. 1)
28	TT-WASHER 5x12x1.5 T4005012 (u. 1)
	WASHER 5x12x1.5 : T4005012 0/000.440.9121 (u. 1)
29	EC FRONT FENDER BRACE BE90000463012 (u. 1)
35	FIXING PLASTIC CAP T90052080004M (u. 1)
49	NYLOC NUT 6mm : T2106001 0/000.340.9113 (u. 1)
	TT-NYLOCK NUT 6mm T2106001 (u. 1)
50	TT-HEX HEAD WASHER 6x16 T0206016 (u. 1)
	HEX FLANGE SCREW 6x16 : T0206016/2, T0106016N, T0106016, BE25618032, BE250018029 : T0206016 0/000.460.9119 (u. 1)
51	OBSOLETE : 0/000.460.9118 : TT-HEX FLANGE BOLT 6x14 : T0206014/2 <b>OBSOLETE</b> T0206014 (u. 1)
	HEX FLANGE BOLT 6x14 : T0206014/2 : T0206014 0/000.460.9118 (u. 1)
59	RIEJU/GASGAS (LEFT/RIGHT) HAND GUARDS KIT (RED) (2012--->) BE94500CT-EKF-1 (u. 1)
	RIEJU/GASGAS (LEFT/RIGHT) POLISPORT HAND GUARDS KIT (WHITE) (2012--->) : BFS945003013, BE94500GG-CAF-1, BE94500CT-CLJ-1 BE90000223012 (u. 1)
60	OBSOLETE : SET PORTAHEAD-LIGHTSL RACING EC-2016 RED <b>OBSOLETE</b> BE90500CT-EKF-1 (u. 1)
67	OBSOLETE : STRAIGHT ADHESIVE STRIP (SINGLE FACED) BE10000553012 (u. 1)

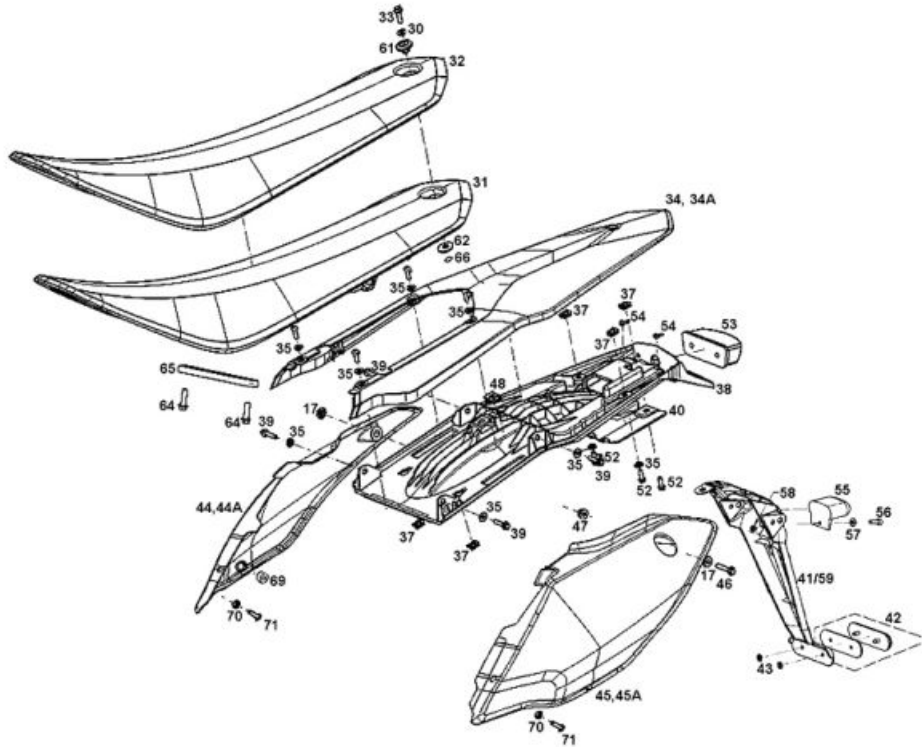
Gas tank



1	(ENDURO) FUEL TANK (2013) : BE75000013012 BE760003013 (u. 1)
2	(ENDURO) GAS CAP KIT+TUBE : BE76010GG-CAB-1, BE250520010CT, BE250520010 BE76010CT-CAB-1 (u. 1) TAP.GASOLINA EC 2014 : BE76010GG-CAB-1 0/000.410.9102 (u. 1)
3	OBSOLETE : 0/000.290.9115 : FUEL TANK VENT HOSE 26cm : BE25636004, BT27810018, BT280310018E, G470000 <b>OBSOLETE</b> BT280310018 (u. 1) RJ-MR FUEL TANK VENT HOSE 26cm : BE25636004, BT27810018, BT280310018E, G470000 : BT280310018 0/000.290.9115 (u. 1)
4	BUSHING, FUEL TANK BOLT BE761053013 (u. 1)
5	OBSOLETE : C/SUNK ALLEN BOLT 5X20 T0405020 (u. 1)
6	BUSHING, FUEL TANK, ENDURO 2012 BE75000023012 (u. 1)
7	OBSOLETE : 0/000.460.9121 : FLANGE BOLT 6x25 10.9 : T0206025/2 <b>OBSOLETE</b> T0206025 (u. 1) FLANGE BOLT 6x25 10.9 : T0206025/2 : T0206025 0/000.460.9121 (u. 1)
8	(ENDURO) PETCOCK ASSEMBLY (2012-2017) BE760203013 (u. 1)
9	FUEL TAP O-RING 10x25 B740120 (u. 1)
10	TT-BUTTONHEAD ALLEN BOLT 6x12 T0506012 (u. 1)
11	GASOLINE HOSE {RIEJU MR} BE780053013 (u. 1)

12	RJ-MR SPRING CLAMP : BE25610044 0/000.680.9102 (u. 1)
	OBSOLETE : 0/000.680.9102 : (ENDURO) SPRING CLAMP <b>OBSOLETE</b> BE25610044 (u. 1)
13	(TRIALS) FUEL TANK CHECK VALVE BT27836025 (u. 1)

Rear body



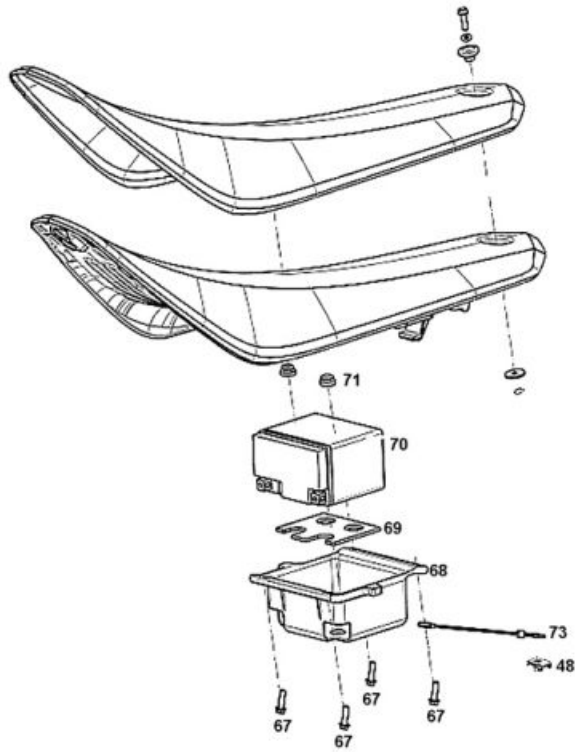
17	(ENDURO) RADIATOR SHROUD BUSHING BE250032060 (u. 1)
30	+48X18 ORING BE94040GG-CAB-1 (u. 1)
31	SEAT {GASGAS EC 2014-2015} (BLACK) : BE94000GG-CAB-1, BE94000GG-CDH-1, BE94000GG-CDH-2, BE940003013, BE90000063013 BE94000GG-CEQ-1 (u. 1)
32	(ENDURO) SEAT COVER (BLACK) (2015) : BE94025GG-CDH-1 BE94025GG-CEQ-1 (u. 1)
33	OBSOLETE : 0/000.460.9121 : FLANGE BOLT 6x25 10.9 : T0206025/2 <b>OBSOLETE</b> T0206025 (u. 1) FLANGE BOLT 6x25 10.9 : T0206025/2 : T0206025 0/000.460.9121 (u. 1)
34	REAR FENDER *RACING* {RIEJU 2017} (RED W/ DECAL) BE93500CT-EKF-1 (u. 1) REAR FENDER {RIEJU 2017} (RED) BE90000183013 (u. 1)
35	FIXING PLASTIC CAP T90052080004M (u. 1)
37	TT-NUT TRT M5 GEOMET T810599990001 (u. 1)
38	LICENSE PLATE SUPPORT {GASGAS EC/XC 13-17} (BLACK) BE90000083013 (u. 1)
39	ALLEN BOLT 5x25 : T0205025, T0315025N : T0305025 0/000.460.9146 (u. 1) OBSOLETE : 0/000.460.9146 : ALLEN BOLT 5x25 : T0205025, T0315025N <b>OBSOLETE</b> T0305025 (u. 1)
40	CONNECTION COVER BE90000153012 (u. 1)
41	LICENSE PLATE MOUNT EC2012 BE90000123012 (u. 1)

42	CATADIOPTIC 700R ENDURO 2007 : BQ300234125 : BQ300234125/2 0/000.630.9103 (u. 1)
	OBSOLETE : 0/000.630.9103 : CATADIOPTIC 700R ENDURO 2007 : BQ300234125 <b>OBSOLETE</b> BQ300234125/2 (u. 1)
43	GRAPA 02110396 SRRM-5 CATADRIOPTICO QUAD : 0508LA : BQ300234126 0/000.440.9102 (u. 1)
	OBSOLETE : 0/000.440.9102 : GRAPA 02110396 SRRM-5 CATADRIOPTICO QUAD : 0508LA <b>OBSOLETE</b> BQ300234126 (u. 1)
44	OBSOLETE : BE93000CT-BSI-1 : RIGHT NUMBER PLATE {RIEJU 2014, 2017} (BLACK) BE92500GG-CAW-1 (u. 1)
	OBSOLETE : BE93000CT-BSI-1 : ENDURO RIGHT NUMBER PLATE {RIEJU 2017} (BLACK W/ DECAL) BE92500CT-EKF-1 (u. 1)
	LEFT/RIGHT SIDE NUMBER PLATE {RIEJU 2012-2017} (BLACK) : BE90000103012, BE90000113012, BE925003013, BE930003013, BE93000GG-CAW-1, BE93000CT-EKF-1, BE92500GG-CAW-1, BE92500CT-EKF-1 BE93000CT-BSI-1 (u. 1)
45	LEFT/RIGHT SIDE NUMBER PLATE {RIEJU 2012-2017} (BLACK) : BE90000103012, BE90000113012, BE925003013, BE930003013, BE93000GG-CAW-1, BE93000CT-EKF-1, BE92500GG-CAW-1, BE92500CT-EKF-1 BE93000CT-BSI-1 (u. 1)
	OBSOLETE : BE93000CT-BSI-1 : ENDURO LEFT NUMBER PLATE {RIEJU 2017} (BLACK W/ DECAL) BE93000CT-EKF-1 (u. 1)
	OBSOLETE : BE93000CT-BSI-1 : RIEJU/GASGAS LEFT REAR NUMBER PLATE (2014, 2017) <b>OBSOLETE</b> BE93000GG-CAW-1 (u. 1)
46	TT-BOLT 6x20 T0206020 (u. 1)
	HEX BOLT 6x20 10.9 : T0206020/2, T0206020/3 : T0206020 0/000.460.9120 (u. 1)
47	TT-HEX FLANGE NUT W/ NYLON INSERT M6 DIN-6926 T2206002 (u. 1)
	OBSOLETE : 0/000.340.0170 : HEX FLANGE NUT W/ NYLON INSERT M6 DIN-6926 : T2206002 <b>OBSOLETE</b> 0/000.340.9117 (u. 1)
	RJ-FLANGE NUT 6926 M6 Cal.8 Z : T2206002, 0/000.340.9117 0/000.340.0170 (u. 1)
48	CAGE NUT 6mm : T2606000 0/000.340.9120 (u. 1)
	TT-CAGE NUT 6mm T2606000 (u. 1)
52	HEAD SCREW 5x15: T0205015/2, T0205010 : T0205015 0/000.460.9115 (u. 1)
	OBSOLETE : 0/000.460.9115 : HEAD SCREW 5x15: T0205015/2, T0205010 <b>OBSOLETE</b> T0205015 (u. 1)
53	REAR LIGHT SET {GASGAS EC/XC 08-17} BE250734015 (u. 1)
54	OBSOLETE : 0/000.460.9160 : SPECIAL PLASTIC BOLT 4x12 <b>OBSOLETE</b> T0804012 (u. 1)
	SPECIAL PLASTIC BOLT 4x12 : T0804012 0/000.460.9160 (u. 1)
55	REAR LICENSE PLATE HOLDER LIGHT BE250734124 (u. 1)
56	OBSOLETE : ALLEN BOLT 5x16 : T0305015, 12549474 T0305016 (u. 1)
57	TT-WASHER 5x12x1.5 T4005012 (u. 1)
	WASHER 5x12x1.5 : T4005012 0/000.440.9121 (u. 1)
58	OBSOLETE : 5MM NUT (EXHAUST HEAT SHIELD) T2105001 (u. 1)

59	CTO. NUMBERPLATE EC-2012 HOMOG. BE90000123012CT (u. 1)
61	BUSH SEAT EC 2014 : BE35000093012 BE94030GG-CAB-1 (u. 1)
62	DOGBONE SPRING WASHER : T4010026 T4001026 (u. 1)
64	TT-BOLT 6x20 T0206020 (u. 1)
	HEX BOLT 6x20 10.9 : T0206020/2, T0206020/3 : T0206020 0/000.460.9120 (u. 1)
65	SEAT BASE EC RACING 2013 BE940203013 (u. 1)
66	SNAP-RING BE94035GG-CAB-1 (u. 1)
69	(ENDURO) NUMBER PLATE RUBBER GROMMET BFS925504510 (u. 1)
70	(ENDURO) NUMBER PLATE LOWER BUSHING BE320603013 (u. 1)
71	BUTTONHEAD ALLEN BOLT 5X20 T0505020 (u. 1)



**Plastic body assembly E-Start**



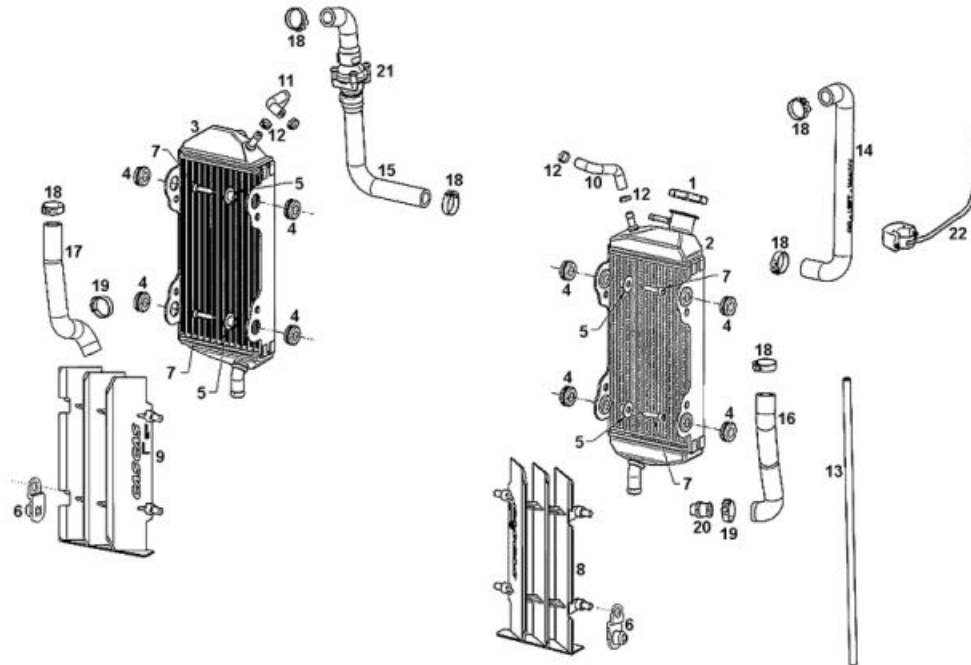
48	TT-CAGE NUT 6mm T2606000 (u. 1)
	CAGE NUT 6mm : T2606000 0/000.340.9120 (u. 1)
67	TT-BOLT 6x20 T0206020 (u. 1)
	HEX BOLT 6x20 10.9 : T0206020/2, T0206020/3 : T0206020 0/000.460.9120 (u. 1)
68	SEMIBOX INF.BATTERY 2016(8438500005) BE41000GG-EKK-1 (u. 1)
69	BATTERY BOX RUBBER HOLDER (CEX) BE10000093013 (u. 1)
70	BATTERY YTZ7SSIAM FURUKAWA EC4004T : BFS400134080 BFS400134080/3 (u. 1)
73	SEAT HOLDER WIRE 2013 E BE10000033013 (u. 1)

Decals



1	(ENDURO) DECAL RACING KIT (2017) BE95000CT-EKF-1 (u. 1)
2	(ENDURO) 300cc DECAL SET (2017) BE95135GG-EKF-1 (u. 1) - 300cc
3	(ENDURO) FRONT FORK DECAL SET (2017) BE95010CT-EKF-1 (u. 1)
4	(ENDURO) SWINGARM DECAL SET (2017) BE95145CT-EKF-1 (u. 1)
5	(ENDURO) HAND GUARD DECAL SET (2017) BE95025CT-EKF-1 (u. 1)
6	OBSOLETE : (ENDURO) HEADLIGHT SHELL DECAL (2012-2017) <b>OBSOLETE</b> BE95020GG-EKF-1 (u. 1)
7	(ENDURO) (RIGHT) SUB-FRAME TRIM DECAL (BLACK) (2012-2017) BE95090GG-EKF-1 (u. 1)
8	(ENDURO) (LEFT) SUB-FRAME TRIM DECAL (BLACK) (2012-2017) BE95095GG-EKF-1 (u. 1)

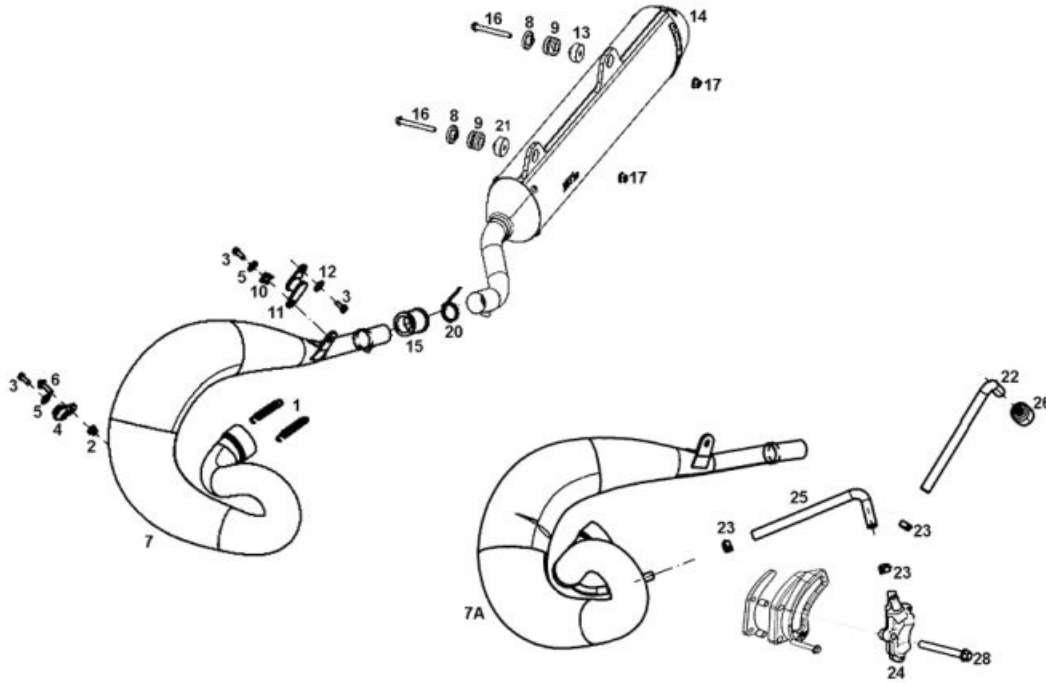
**Radiator**



1	RADIATOR CAP BEHR 1.8 : BFS400132032, BFS450732032, L200110 BFS701504509 (u. 1)
2	LEFT RADIATOR W/ CAP {GASGAS 01-17} : BE250332001, BE250732001, BE25632001, BE700502511 BE700503013 (u. 1)
3	(ENDURO) (RIGHT) RADIATOR (2007-2017) : BE250732000 BE700003013 (u. 1)
4	(ENDURO) RADIATOR SILENBLOCK GROMMET : G210700 BIE500132031 (u. 1)
5	(ENDURO) LOWER RADIATOR HOLDER BUSHING (2002-2017) BE25832040 (u. 1)
6	RADIATOR SIDE PLASTIC BE25632015 (u. 1)
7	HEX BOLT 6x20 10.9 : T0206020/2, T0206020/3 : T0206020 0/000.460.9120 (u. 1)
	TT-BOLT 6x20 T0206020 (u. 1)
	TT-BOLT 6x20 T0206020 (u. 1)
	HEX BOLT 6x20 10.9 : T0206020/2, T0206020/3 : T0206020 0/000.460.9120 (u. 1)
8	ALLEN BOLT 6x20 : T0316018/2, T0316018 T0306020 (u. 1)
	(ENDURO) (RIGHT) RADIATOR GRID (WHITE) : BE730602510 BE250720002 (u. 1)
9	LEFT RADIATOR GRID (WHITE) : BE730502510 BE250720001 (u. 1)
10	RADIATOR HOSE LEFT BE70000023012 (u. 1)
11	(RIGHT) RADIATOR HOSE BE70000013012 (u. 1)

12	8 W4 CONDUCTO ACEITE MFS400110031 (u. 1)
13	OBSOLETE : 0/000.290.9117 : (ENDURO) RADIATOR BREATHER HOSE 5X8 39CM (2018-2019) <b>OBSOLETE</b> BE25632009 (u. 1) RJ-MR RADIATOR BREATHER HOSE 5X8 39CM (2018-2019) : BE25632009 0/000.290.9117 (u. 1)
14	LEFT UPPER RADIATOR HOSE : BE25632002 BE250732002 (u. 1)
15	T/STAT HOSE, 250/300 2011 BE710102511 (u. 1)
16	LEFT RADIATOR LOWER HOSE {GASGAS 14-17} BE71085GG-CAB-1 (u. 1)
17	OBSOLETE : 0/000.290.9104 : (ENDURO) (RIGHT) RADIATOR LOWER HOSE (2018-2019) <b>OBSOLETE</b> BE71080GG-CAB-1 (u. 1) RJ-RIGHT RADIATOR LOWER HOSE {GASGAS 18-19, RIEJU MR 20->} : BE71080GG-CAB-1 0/000.290.9104 (u. 1)
18	HOSE CLAMP 22mm L200038 (u. 1)
19	HOSE CLAMP 20mm : L200045 L200035 (u. 1)
20	RJ-MR WATER INLET FITTING : ME57015GG-CAB-1 0/000.480.9123 (u. 1) OBSOLETE : 0/000.480.9123 : (ENDURO) WATER INLET FITTING <b>OBSOLETE</b> ME57015GG-CAB-1 (u. 1)
21	(ENDURO) THERMOSTAT (2018-2019) BE250432070 (u. 1)
22	KILL BUTTON, CDI TRIAL PRO 2010 ET511902810 (u. 1)

Exhaust pipe

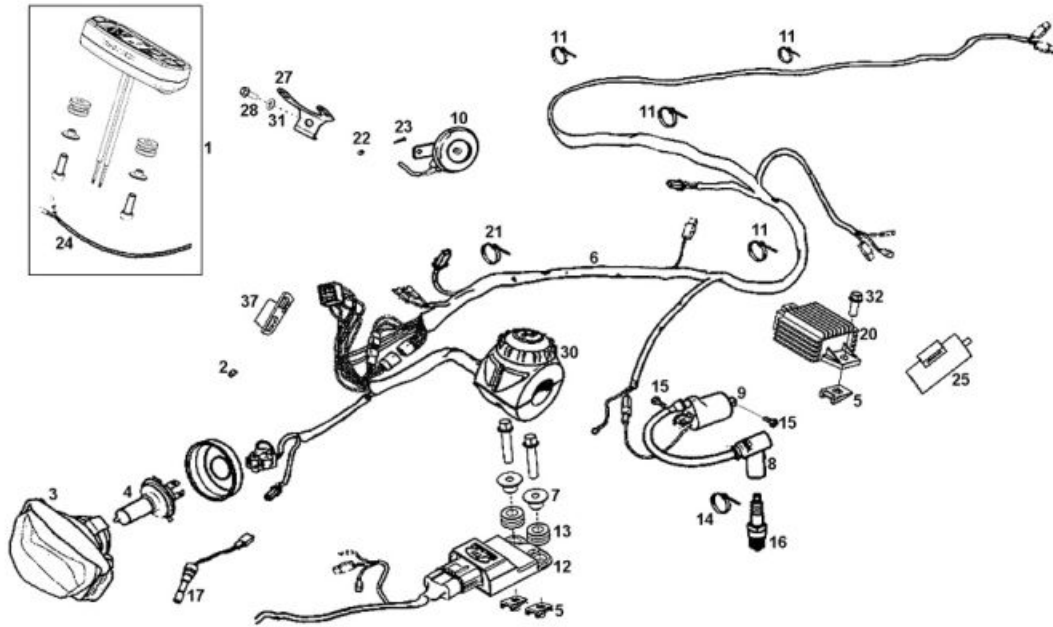


1	RJ-MR EXHAUST PIPE SPRING (2016-2019) : BE25610042 : BE86050GG-EKF-1 0/000.470.9106 (u. 1) OBSOLETE : 0/000.470.9106 : (ENDURO) EXHAUST PIPE SPRING (2016-2019) : BE25610042 <b>OBSOLETE</b> BE86050GG-EKF-1 (u. 1)
2	RJ-FLANGE NUT 6926 M6 Cal.8 Z : T2206002, 0/000.340.9117 0/000.340.0170 (u. 1) OBSOLETE : 0/000.340.0170 : HEX FLANGE NUT W/ NYLON INSERT M6 DIN-6926 : T2206002 <b>OBSOLETE</b> 0/000.340.9117 (u. 1) TT-HEX FLANGE NUT W/ NYLON INSERT M6 DIN-6926 T2206002 (u. 1)
3	TT-HEX HEAD WASHER 6x16 T0206016 (u. 1) HEX FLANGE SCREW 6x16 : T0206016/2, T0106016N, T0106016, BE25618032, BE250018029 : T0206016 0/000.460.9119 (u. 1)
4	EXHAUST SILENTBLOCK BIC050526004 (u. 1)
5	WASHER 6x18x1.5 : T4006018 0/000.440.9126 (u. 1) OBSOLETE : WASHER 6x18x1.5 <b>OBSOLETE</b> T4006018 (u. 1)
6	OBSOLETE : SPECIAL BOLT 6x25 T0606025 (u. 1) OBSOLETE : SPECIAL BOLT 6x25 T0606025 (u. 1) OBSOLETE : T0606025 : SPECIAL SCREW 6X20 <b>OBSOLETE</b> T0606020 (u. 1)
7	OBSOLETE : HOMOLOGATED EXHAUST PIPE EC-2014 <b>OBSOLETE</b> BE85000GG-CAB-2 (u. 1) EXHAUST PIPE EC RF 2014 BE85000CT-CBX-1 (u. 1) - 250cc / 300cc

8	(ENDURO) EXHAUST PIPE BUSHING 25x4 (2013-2017) BE873013013 (u. 1)
9	(ENDURO) SILENCER BLOCK (2001-2017) : G590720, BE25626005 BE250026005 (u. 1)
10	TT-CAGE NUT 6mm T2606000 (u. 1) CAGE NUT 6mm : T2606000 0/000.340.9120 (u. 1)
11	REAR PIPE MOUNT,PAMPERA : G590705 BE25626004 (u. 1)
12	WASHER 6x16x1.5 : T4006016 0/000.440.9125 (u. 1) OBSOLETE : 0/000.440.9125 : WASHER 6x16x1.5 <b>OBSOLETE</b> T4006016 (u. 1)
13	(ENDURO) EXHAUST PIPE BUSHING 25x9.5 (2013-2017) BE873023013 (u. 1)
14	EXHAUST SILENCER FMF 200 V2 : BE87000GG-CAW-2, BE87000GG-CAW-1 BE87000GG-CBV-2 (u. 1)
15	OBSOLETE : 0/000.490.9103 : (ENDURO) EXHAUST RUBBER GASKET : C280705 <b>OBSOLETE</b> BE25626003 (u. 1) RJ-MR EXHAUST RUBBER GASKET : C280705, BE25626003 0/000.490.9103 (u. 1)
16	OBSOLETE : 0/000.460.9127 : SPECIAL SCREW 6X55 <b>OBSOLETE</b> T0206055 (u. 1) SPECIAL SCREW 6X55 : T0206055 0/000.460.9127 (u. 1)
17	TT-HEX FLANGE NUT W/ NYLON INSERT M6 DIN-6926 T2206002 (u. 1) RJ-FLANGE NUT 6926 M6 Cal.8 Z : T2206002, 0/000.340.9117 0/000.340.0170 (u. 1) OBSOLETE : 0/000.340.0170 : HEX FLANGE NUT W/ NYLON INSERT M6 DIN-6926 : T2206002 <b>OBSOLETE</b> 0/000.340.9117 (u. 1)
20	UNEX CLAMP ZIP TIE : BE25634009 0/000.660.9105 (u. 1) TT-UNEX CLAMP 4.8x20 BE25634009 (u. 1)
21	SPACER BUSHING 25X16 BE873003013 (u. 1)
22	OBSOLETE : 0/000.290.9111 : (ENDURO) EXHAUST TO VALVE RUBBER TUBE (HOMOLOGATED) <b>OBSOLETE</b> BE785551209 (u. 1) OBSOLETE : 0/000.460.9128 : HEAD SCREW 6x60 <b>OBSOLETE</b> T0206060 (u. 1) RJ-MR EXHAUST TO VALVE RUBBER TUBE (HOMOLOGATED) : BE785551209 0/000.290.9111 (u. 1) HEAD SCREW 6x60 : T0206060 0/000.460.9128 (u. 1)
23	CLAMP 15 (COBRA15/8 W4) : L200053 0/000.680.9106 (u. 1) OBSOLETE : 0/000.680.9106 : CLAMP 15 (COBRA15/8 W4) <b>OBSOLETE</b> L200053 (u. 1)
24	OBSOLETE : 0/000.640.9100 : (ENDURO) EXHAUST AIS VALVE (HOMOLOGATED) <b>OBSOLETE</b> BE785652509 (u. 1) RJ-MR EXHAUST AIS VALVE (HOMOLOGATED) : BE785652509 0/000.640.9100 (u. 1)

25	OBSOLETE : 0/000.290.9110 : (ENDURO) EXHAUST RUBBER VALVE FILTER TUBE (HOMOLOGATED) <b>OBSOLETE</b> BE785502509 (u. 1)
	RJ-MR EXHAUST RUBBER VALVE FILTER TUBE (HOMOLOGATED) : BE785502509 0/000.290.9110 (u. 1)
26	SECONDARY AIR FILTER BT280626059 (u. 1)
28	HEAD SCREW 6x60 : T0206060 0/000.460.9128 (u. 1)
	OBSOLETE : 0/000.460.9128 : HEAD SCREW 6x60 <b>OBSOLETE</b> T0206060 (u. 1)

**Electrical installation**



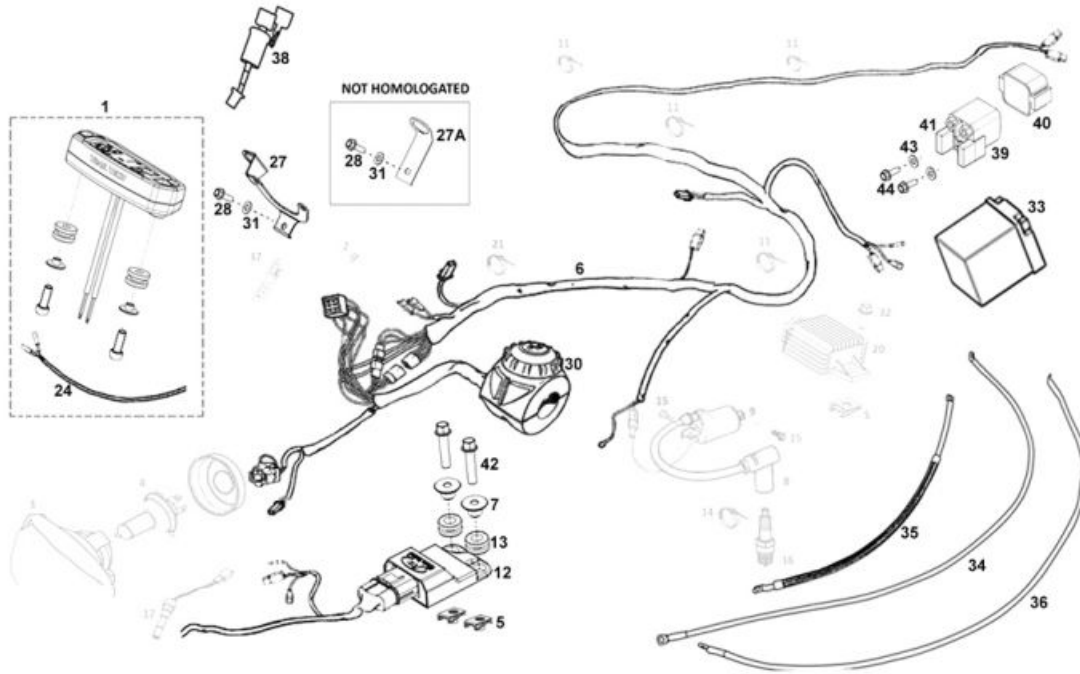
1	<p>ENDURO MULIFUNCTION SET EE60000GG-CAB-1 (u. 1)</p>
2	<p>OBSOLETE : 0/000.630.9104 : SPEEDO CABLE HOLDER CLIP <b>OBSOLETE</b> EE650202508 (u. 1)</p> <p>SPEEDO CABLE HOLDER CLIP : EE650202508 0/000.630.9104 (u. 1)</p>
3	<p>OBSOLETE 0/000.600.0270 : FRONT HEADLIGHT {GASGAS 2011-} EE200002511 (u. 1)</p> <p>RJ-MR COMPLETE HEADLAMP BEAM UNIT: EE200002511 0/000.600.0270 (u. 1)</p> <p>RJ-COMPLETE HEADLAMP BEAM UNIT 0/000.600.0260 (u. 1)</p>
4	<p>HS1 12V3535W HALOGEN BULB L300125 (u. 1)</p>
5	<p>TT-CAGE NUT 6mm T2606000 (u. 1)</p> <p>CAGE NUT 6mm : T2606000 0/000.340.9120 (u. 1)</p>
6	<p>WIRING HARNESS (ESTART) EE10000GG-CBR-1 (u. 1)</p>
7	<p>MULTIFUNCTION BUSHING BE10910GG-CAB-1 (u. 1)</p>
8	<p>OBSOLETE : 0/005.110.9100 : (ENDURO) SPARK PLUG CAP NGK 5K OHM : BT280634000, BT27934000 <b>OBSOLETE</b> BE25934000 (u. 1)</p> <p>RJ-MR SPARK PLUG CAP NGK 5K OHM : BT280634000, BT27934000 : BE25934000 0/005.110.9100 (u. 1)</p>
9	<p>RJ-IGNITION COIL : ET500002809, ET500003013 0/005.070.9100 (u. 1)</p> <p>OBSOLETE : 0/005.070.9100 : (TRIALS) IGNITION COIL : ET500002809 <b>OBSOLETE</b> ET500003013 (u. 1)</p>



10	OBSOLETE : HORN : 6200030211 EFS204004508 (u. 1)
11	TT-UNEX CLAMP 4.8x20 BE25634009 (u. 1) UNEX CLAMP ZIP TIE : BE25634009 0/000.660.9105 (u. 1)
12	PROGRAMMED CDI KIT 250-300 E-START 2015 : EE51100CT-CHS-1, EE51100GG-CBR-1 EE51100CT-CEU-1 (u. 1) - 250cc / 300cc
13	OBSOLETE : 0/000.360.4002 : RUBBER GROMMET : BE25632003 <b>OBSOLETE</b> G220000 (u. 1) RJ-RUBBER GROMMET : BE25632003, G220000, 0/000.360.9112 0/000.360.4002 (u. 1) OBSOLETE : 0/000.360.4002 : RUBBER GROMMET : BE25632003, G220000 <b>OBSOLETE</b> 0/000.360.9112 (u. 1)
14	OBSOLETE : 0/000.660.9106 : (ENDURO) SHORT UNEX CLAMP 2.5x98 <b>OBSOLETE</b> BE25634010 (u. 1) RJ-MR SHORT UNEX CLAMP 2.5x98 : BE25634010 0/000.660.9106 (u. 1)
15	TT-HEX HEAD WASHER 6x16 T0206016 (u. 1) HEX FLANGE SCREW 6x16 : T0206016/2, T0106016N, T0106016, BE25618032, BE250018029 : T0206016 0/000.460.9119 (u. 1)
16	OBSOLETE : 0/005.110.9101 : (ENDURO) SPARK PLUG DENSO W24ESRU : ME25634000, 25006012, NGK BR8EG <b>OBSOLETE</b> ME25934000 (u. 1) ENDURO SPARK PLUG {GASGAS EC/XC 2002-2019 / RIEJU 2021---->} BR8EG (u. 1) RJ-MR SPARK PLUG DENSO W24ESRU : ME25634000, 25006012, NGK BR8EG : ME25934000 0/005.110.9101 (u. 1)
17	LIGHT BULB POSITION L300126 (u. 1)
20	REGULATOR : EE51200GG-CAB-1 0/005.070.9101 (u. 1) OBSOLETE : 0/005.070.9101 : REGULATOR <b>OBSOLETE</b> EE51200GG-CAB-1 (u. 1)
21	ZIP TIE 36x140 : BE250022031 0/000.680.9100 (u. 1) OBSOLETE : 0/000.680.9100 : ZIP TIE 36x140 <b>OBSOLETE</b> BE250022031 (u. 1)
22	TT-CAGE NUT 6mm T2606000 (u. 1) CAGE NUT 6mm : T2606000 0/000.340.9120 (u. 1)
23	OBSOLETE : BUTTONHEAD ALLEN W/WASHER 6x16 T0556016 (u. 1)
24	OBSOLETE : 0/001.010.9100 : (ENDURO) MULTI-FUNCTION HOSE TT <b>OBSOLETE</b> BE250634050 (u. 1) RJ-MR MULTI-FUNCTION HOSE TT : BE250634050 0/001.010.9100 (u. 1)
25	CONDENSER EE40300GG-CAB-1 (u. 1)
27	OBSOLETE : MULTIFUNCTION SUPPORT EC2015 BE22265GG-CAB-2 (u. 1)
28	OBSOLETE : 0/000.460.9118 : TT-HEX FLANGE BOLT 6x14 : T0206014/2 <b>OBSOLETE</b> T0206014 (u. 1) HEX FLANGE BOLT 6x14 : T0206014/2 : T0206014 0/000.460.9118 (u. 1)

30	LIGHT SWITCH {GASGAS 11-17} : EE602002510 EE60200GG-EKK-1 (u. 1)
31	OBSOLETE : 0/000.440.9125 : WASHER 6x16x1.5 <b>OBSOLETE</b> T4006016 (u. 1)
	WASHER 6x16x1.5 : T4006016 0/000.440.9125 (u. 1)
32	OBSOLETE : 0/000.460.9118 : TT-HEX FLANGE BOLT 6x14 : T0206014/2 <b>OBSOLETE</b> T0206014 (u. 1)
	HEX FLANGE BOLT 6x14 : T0206014/2 : T0206014 0/000.460.9118 (u. 1)
37	SUPPORT CONNECTOR WIRING HARNESS BE22020GG-CAU-1 (u. 1)

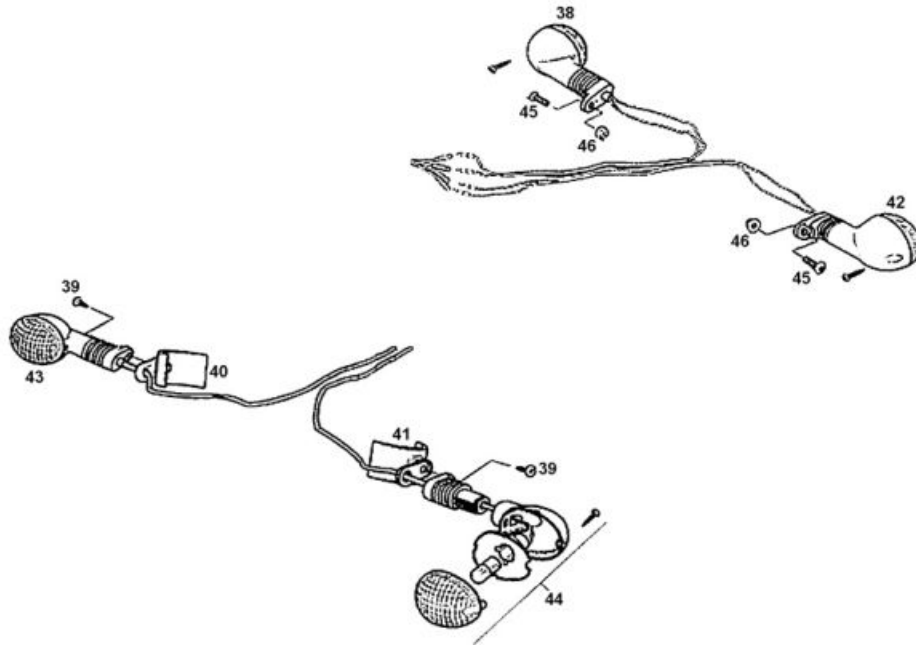
Installation for E-Start



1	ENDURO MULIFUNCTION SET EE60000GG-CAB-1 (u. 1)
5	TT-CAGE NUT 6mm T2606000 (u. 1) CAGE NUT 6mm : T2606000 0/000.340.9120 (u. 1)
6	WIRING HARNESS (ESTART) EE10000GG-CBR-1 (u. 1)
7	MULTIFUNCTION BUSHING BE10910GG-CAB-1 (u. 1)
12	PROGRAMMED CDI KIT 250-300 E-START 2015 : EE51100CT-CHS-1, EE51100GG-CBR-1 EE51100CT-CEU-1 (u. 1) - 250cc / 300cc
13	RJ-RUBBER GROMMET : BE25632003, G220000, 0/000.360.9112 0/000.360.4002 (u. 1) OBSOLETE : 0/000.360.4002 : RUBBER GROMMET : BE25632003, G220000 <b>OBSOLETE</b> 0/000.360.9112 (u. 1) OBSOLETE : 0/000.360.4002 : RUBBER GROMMET : BE25632003 <b>OBSOLETE</b> G220000 (u. 1)
24	OBSOLETE : 0/001.010.9100 : (ENDURO) MULTI-FUNCTION HOSE TT <b>OBSOLETE</b> BE250634050 (u. 1) RJ-MR MULTI-FUNCTION HOSE TT : BE250634050 0/001.010.9100 (u. 1)
27	ON/OFF SUPPORT 4T 2014 BE22265GG-CAL-1 (u. 1) MULTIFUNCTION SUPPORT 4T 215 BE22265GG-CAK-2 (u. 1)
28	OBSOLETE : 0/000.460.9118 : TT-HEX FLANGE BOLT 6x14 : T0206014/2 <b>OBSOLETE</b> T0206014 (u. 1) HEX FLANGE BOLT 6x14 : T0206014/2 : T0206014 0/000.460.9118 (u. 1)

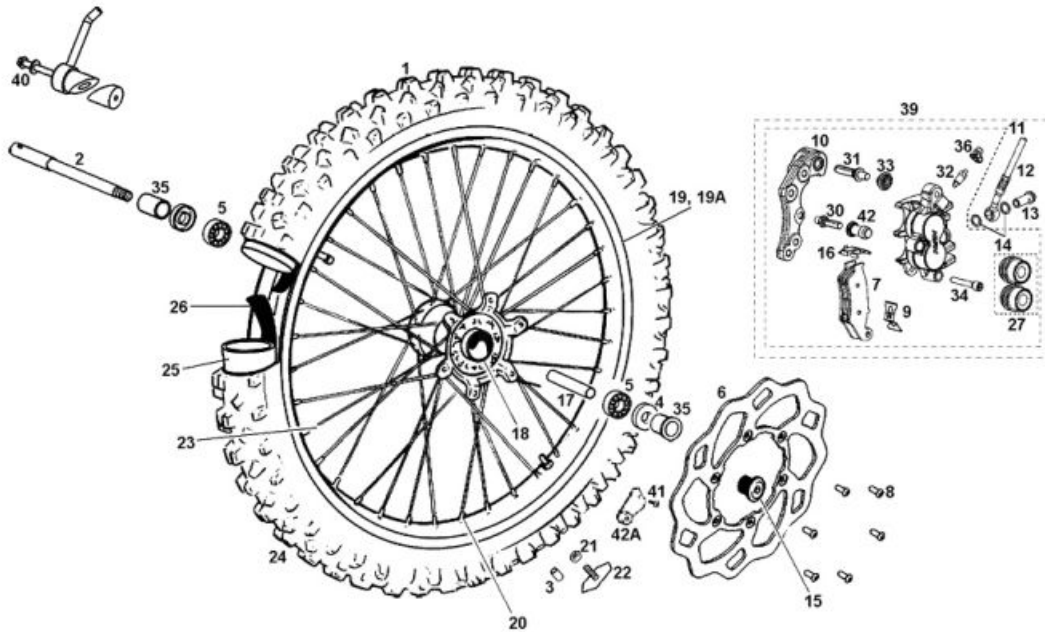
30	LIGHT SWITCH {GASGAS 11-17} : EE602002510 EE60200GG-EKK-1 (u. 1)
31	WASHER 6x16x1.5 : T4006016 0/000.440.9125 (u. 1) OBSOLETE : 0/000.440.9125 : WASHER 6x16x1.5 <b>OBSOLETE</b> T4006016 (u. 1)
33	BATTERY YTZ7SSIAM FURUKAWA EC4004T : BFS400134080 BFS400134080/3 (u. 1)
34	CABLE POSITVO BATTERY 2016 EE40015GG-EKK-1 (u. 1)
35	CABLE POSITVO BATTERY 2016 EE40015GG-EKK-1 (u. 1)
36	CABLE RELE A MOTOR STARTER 2016 EE40110GG-EKK-1 (u. 1)
38	CERRADURA CONTACTO+CLOSING 50CC.2004 BQ050434032 (u. 1)
39	RJ-STARTING RELAY : BFS400134075 : BFS400134075/2 0/001.200.9101 (u. 1) OBSOLETE : 0/001.200.9101 : STARTING RELAY : BFS400134075 <b>OBSOLETE</b> BFS400134075/2 (u. 1)
40	RUBBER BRACKET RELE STARTER FIJ.VERTICAL EE85205GG-CAK-1 (u. 1)
41	FUSE PROTECTION CAP (B4694-730-00-001) EE851052511 (u. 1)
42	TT-BOLT 6x20 T0206020 (u. 1) HEX BOLT 6x20 10.9 : T0206020/2, T0206020/3 : T0206020 0/000.460.9120 (u. 1)
43	OBSOLETE : 0/000.440.9127 : WASHER EN ABANICO DIN 6798/A ZINC <b>OBSOLETE</b> T4006040 (u. 1) OBSOLETE : WASHER EN ABANICO DIN 6798/A ZINC : T4006040 0/000.440.9127 (u. 1)
44	OBSOLETE : BUTTONHEAD ALLEN BOLT 6X10 T0506010 (u. 1)

**Intermittent approved**



38	<p>OBSOLETE : 0/000.150.9102 : (ENDURO) (RIGHT REAR) INDICATOR (2005-2019) : BE250134021, BE250634021 <b>OBSOLETE</b> BE250634021/2 (u. 1)</p> <p>RJ-MR (RIGHT REAR) INDICATOR (2005-2019) : BE250134021, BE250634021 : BE250634021/2 0/000.150.9102 (u. 1)</p>
39	<p>OBSOLETE : SPECIAL SCREW 6.3x16 T0706316 (u. 1)</p>
40	<p>SUPT, TURN SIGNAL RT. FRT. PP02 : BEP250234017 BE250134017 (u. 1)</p>
41	<p>SUPT, TURN SIGNAL LT. FRT. PP02 : BEP250234020 BE250134020 (u. 1)</p>
42	<p>OBSOLETE : 0/000.150.9103 : (ENDURO) (LEFT REAR) INDICATOR (2005-2019) : BE250634022, BE250134022 <b>OBSOLETE</b> BE250634022/2 (u. 1)</p> <p>RJ-MR (LEFT REAR) INDICATOR (2005-2019) : BE250634022, BE250134022 : BE250634022/2 0/000.150.9103 (u. 1)</p>
43	<p>RJ-MR (RIGHT FRONT) INDICATOR : BE250634018 0/000.150.9100 (u. 1)</p> <p>OBSOLETE : 0/000.150.9100 : (ENDURO) (RIGHT FRONT) INDICATOR <b>OBSOLETE</b> BE250634018 (u. 1)</p>
44	<p>OBSOLETE : 0/000.150.9101 : (ENDURO) (LEFT FRONT) INDICATOR <b>OBSOLETE</b> BE250634019 (u. 1)</p> <p>RJ-MR (LEFT FRONT) INDICATOR : BE250634019 0/000.150.9101 (u. 1)</p>
45	<p>RJ-MR (LEFT FRONT) INDICATOR : BE250634019 0/000.150.9101 (u. 1)</p> <p>OBSOLETE : 0/000.150.9101 : (ENDURO) (LEFT FRONT) INDICATOR <b>OBSOLETE</b> BE250634019 (u. 1)</p>
46	<p>FLANGE NUT 6mm : T2306000 : T2206000 0/000.340.9116 (u. 1)</p> <p>OBSOLETE : 0/000.340.9116 : FLANGE NUT 6mm : T2306000 <b>OBSOLETE</b> T2206000 (u. 1)</p>

Front wheel



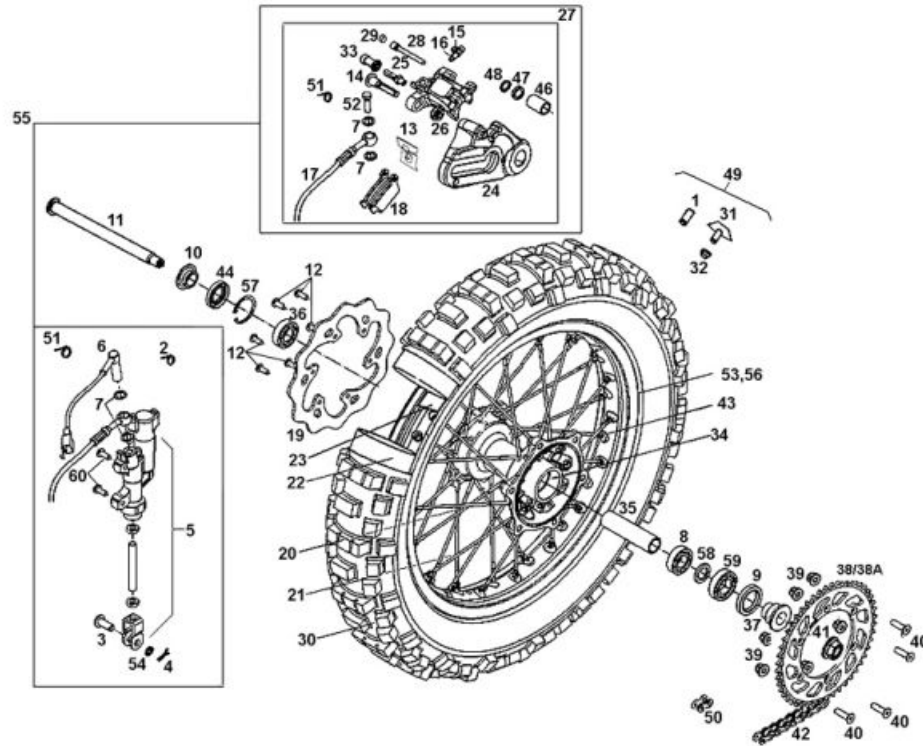
1	OBSOLETE : FRONT WHEEL (RIMSPOKESHUB) <b>OBSOLETE</b> BE50000CT-CAW-1 (u. 1)
2	OBSOLETE : 0/000.190.9102 : (ENDURO) (FRONT) WHEEL AXLE 208CM (2011-CURRENT) <b>OBSOLETE</b> BE53000R3011 (u. 1)
	RJ-MR (FRONT) WHEEL AXLE 208CM (2011-CURRENT) : BE53000R3011 0/000.190.9102 (u. 1)
3	RJ-MR (FRONT) WHEEL HOLDING BUSHING 8X12X12 : BE250518048/2, BE250518048 : BE555102510 0/000.480.9112 (u. 1)
	OBSOLETE : 0/000.480.9112 : (ENDURO) (FRONT) WHEEL HOLDING BUSHING 8X12X12 : BE250518048/2, BE250518048 <b>OBSOLETE</b> BE555102510 (u. 1)
4	FRONT WHEEL GASKET {GASGAS EC/XC} BE250418057 (u. 1)
5	(ENDURO) (FRONT) WHEEL BEARING ME120136055 (u. 1)
6	FRONT BRAKE DISC 260mm {RIEJU MR}: BE520002509 : BE52000GG-CLJ-1 : 0/001.090.9105 : BE52000N3011 0/001.090.9107 (u. 1)
	OBSOLETE : 0/001.090.9107 : RJ-FRONT BRAKE ROTOR {GASGAS EC/XC 18-19, RIEJU MR 21->} : BE520002509 : BE52000GG-CLJ-1 <b>OBSOLETE</b> 0/001.090.9105 (u. 1)
	OBSOLETE : 0/001.090.9107 : (ENDURO) (FRONT) BRAKE DISC (2018-2019) : BE520002509 <b>OBSOLETE</b> BE52000GG-CLJ-1 (u. 1)
	OBSOLETE : 0/001.090.9107 : (ENDURO) (FRONT) BRAKE DISK WAVE GALFER 0913 : R400700, BE520002510, BE25622011, BE250222011 <b>OBSOLETE</b> BE520002509 (u. 1)

	Galfer - FRONT BRAKE PADS *SINTERED* {GASGAS EC/XC 01-19, RIEJU MR 21 →} FD164G1396 (u. 1)
	RJ-FRONT BRAKE PADS *SINTERED* {GASGAS 02-18/RIEJU MR 21->} BE620652508/1 (u. 1)
	Galfer - FRONT BRAKE PADS {GASGAS EC/XC 01-19, RIEJU MR 21 →} (ORGANIC) FD164G1054 (u. 1)
7	Galfer - FRONT BRAKE PADS *PREMIUM* {GASGAS EC/XC 01-19, RIEJU MR 21 →} FD164G1651 (u. 1)
	OBSOLETE : EBC Brakes - FRONT BRAKE PADS *SINERED* {RIEJU 2001--->} FA185R (u. 1)
	OBSOLETE : EBC Brakes - FRONT BRAKE PADS *CARBON X* {RIEJU 2001--->} FA185X (u. 1)
	RJ-FRONT BRAKE PADS *ORGANIC* {GASGAS 02-18/RIEJU MR 21->} BE620652508 (u. 1)
8	TORX SCREW 6x14 T0566014 (u. 1)
9	(ENDURO) (FRONT) BRAKE PADS HOLDER BRACKET (A) : BE250022063 BE620112508 (u. 1)
10	(ENDURO) (FRONT) CALIPER SUPPORT W/ BRAKE PAD BRACKET : BE250022110 BE620102508 (u. 1)
11	RJ-MR (FRONT) BRAKE CALIPER (2008-2019) : BE250722000 0/000.860.9101 (u. 1)
	OBSOLETE : 0/000.860.9101 : (ENDURO) (FRONT) BRAKE CALIPER (2008-2019) <b>OBSOLETE</b> BE250722000 (u. 1)
12	FRONT BRAKE HOSE {GASGAS EC/XC} : BE250022002, BE25622002 BE250422002 (u. 1)
13	HOSE HOLDER BOLT 10x125 : BE25622030 BC25722006 (u. 1)
14	RJ-CLUTCH HOSE WASHER 10x4x1 : R330700 BE25622007 (u. 1)
15	RJ-MR (FRONT) WHEEL AXLE BOLT (2007-2019) : BE250718026 0/000.340.9100 (u. 1)
	OBSOLETE : 0/000.340.9100 : (ENDURO) (FRONT) WHEEL AXLE BOLT (2007-2019) <b>OBSOLETE</b> BE250718026 (u. 1)
16	FRONT BRAKE PADS HOLDER BRACKET (B) {GASGAS/RIEJU} : BE250022064 BE620122508 (u. 1)
17	RJ-MR FRONT WHEEL SPACER BE250418058 (u. 1)
18	RJ-FRONT WHEEL HUB {GASGAS 14-19/RIEJU 20} BE541110GG-CAB-1 (u. 1)
19	(ENDURO) (FRONT) WHEEL RIM + HUB + SPOKES (BLACK) MOUNTED BE54000CT-CAW-1 (u. 1)
20	FRONT WHEEL SPOKE NUT {GASGAS EC/XC} BE542503013 (u. 1)
21	NYLOC NUT 8mm : T2108001, T2108001/2 0/000.340.9114 (u. 1)
	TT-NYLOCK NUT 8mm T2108001 (u. 1)
22	OBSOLETE : 0/000.220.9114 : (ENDURO) (FRONT) TIRE HOLDER <b>OBSOLETE</b> BE505002509 (u. 1)
	RJ-MR (FRONT) TIRE HOLDER : BE505002509 0/000.220.9114 (u. 1)
23	(ENDURO) (FRONT) WHEEL SPOKE (BLACK) BE54200GG-CAW-1 (u. 1)

24	<p>OBSOLETE : 0/000.510.9100 : (ENDURO) (FRONT) TIRE 90/90-21 MICHELIN (2011-2019)<b>OBSOLETE</b> BE501002511 (u. 1)</p> <p>RJ-FRONT COMPLETE WHEEL *RIM, HUB, SPOKES, 90/90-21 MICHELIN TIRE* {GASGAS EC/XC/SIX-DAYS 11-17} : BE501002511 0/000.510.9100 (u. 1)</p>
25	<p>RJ-MR (FRONT) TIRE AIR HOSE 21 METZELER : BE25618001, BE25618001/2, N120700, N120000, N120000/2 : BE502002511 0/000.520.9100 (u. 1)</p> <p>OBSOLETE : 0/000.520.9100 : (ENDURO) (FRONT) TIRE AIR HOSE 21 METZELER : BE25618001, BE25618001/2, N120700, N120000, N120000/2 <b>OBSOLETE</b> BE502002511 (u. 1)</p>
26	<p>OBSOLETE : 0/000.220.9108 : (ENDURO) (FRONT) TIRE RIM BAND : BE25618028, N100000, N100000/2<b>OBSOLETE</b> BE503002511 (u. 1)</p> <p>RJ-MR (FRONT) TIRE RIM BAND : BE25618028, N100000, N100000/2 : BE503002511 0/000.220.9108 (u. 1)</p>
27	<p>(ENDURO) (FRONT) BRAKE CALIPER PISTON (2008-2019) BE620422508 (u. 1)</p>
30	<p>(ENDURO) (FRONT) BRAKE CALIPER BOLT (2001-2019) BE250022034 (u. 1)</p>
31	<p>(ENDURO) GUIDE SCREW (2018-2019) : BE250022043 BE250022092 (u. 1)</p>
32	<p>(ENDURO) (FRONT) BRAKE BLEEDER SET BE620602508 (u. 1)</p>
33	<p>(ENDURO) DUST COVER (2001-2019) BE620682508 (u. 1)</p>
34	<p>(ENDURO) (FRONT) BRAKE PADS PIN BE250022041 (u. 1)</p>
35	<p>RJ-MR FRONT WHEEL SPACER INSIDE BRAKE DISC : BC250418019 0/000.480.9100 (u. 1)</p> <p>OBSOLETE : 0/000.480.9100 : (FRONT) WHEEL SPACER INSIDE BRAKE DISC<b>OBSOLETE</b> BC250418019 (u. 1)</p>
36	<p>(ENDURO) RUBBER BLEEDER CAP (2001-2019) BE250022055 (u. 1)</p>
39	<p>RJ-MR (FRONT) BRAKE SET (EC, GP, SIX-DAYS) : BC250322108, BC250422108, BE250322108 : BE250422108 0/000.820.9107 (u. 1)</p> <p>OBSOLETE : 0/000.820.9107 : 0/000.820.9107 : (ENDURO) (FRONT) BRAKE SET (EC, GP, SIX-DAYS) : BC250322108, BC250422108, BE250322108 <b>OBSOLETE</b> BE250422108 (u. 1)</p>
40	<p>RJ-MR (FRONT) AXLE PULLER : BE536002511 0/000.980.9123 (u. 1)</p> <p>OBSOLETE : 0/000.980.9123 : (ENDURO) (FRONT) AXLE PULLER<b>OBSOLETE</b> BE536002511 (u. 1)</p>
41	<p>OBSOLETE : (TRIALS) CLUTCH BOLT (12 POINT) 4x10<b>OBSOLETE</b> MT280332077 (u. 1)</p>
42	<p>OBSOLETE : MAGNET SUPPORT SET {GASGAS EC 2001-2019} : BE250022039 BE620692508 (u. 1)</p> <p>SET MAGNETIC KM EC : BE250334008 BP120734008CT (u. 1)</p>



Rear wheel



1	RJ-MR (FRONT) WHEEL HOLDING BUSHING 8X12X12 : BE250518048/2, BE250518048 : BE555102510 0/000.480.9112 (u. 1)
2	OBSOLETE : 0/000.480.9112 : (ENDURO) (FRONT) WHEEL HOLDING BUSHING 8X12X12 : BE250518048/2, BE250518048 <b>OBSOLETE</b> BE555102510 (u. 1)
3	OBSOLETE : 0/000.660.9104 : ZIP TIE 48x36 <b>OBSOLETE</b> BE25634007 (u. 1)
4	ZIP TIE 48x36 : BE25634007 0/000.660.9104 (u. 1)
5	OBSOLETE : 0/000.840.9101 : (ENDURO) (REAR) BRAKE PEDAL PIN 8x20 <b>OBSOLETE</b> BE25622026 (u. 1)
6	RJ-MR (REAR) BRAKE PEDAL PIN 8x20 : BE25622026 0/000.840.9101 (u. 1)
7	OBSOLETE : 0/000.840.9102 : (ENDURO) (REAR) BRAKE PEDAL PIN STOPPER 2x20 <b>OBSOLETE</b> BE25622027 (u. 1)
8	RJ-MR (REAR) BRAKE PEDAL PIN STOPPER 2x20 : BE25622027 0/000.840.9102 (u. 1)
9	(ENDURO) (REAR) BRAKE PUMP (NISSIN) (2009-2017) BE660002509 (u. 1)
10	OBSOLETE : REAR BRAKE PUMP STOP SWITCH {GASGAS EC} : BE250034003, BE250034003/2, BE250334003/2, BE25634003 BE250334003 (u. 1)
11	RJ-INTERRUPTOR 23-016/1 STOP BOMBA NISSIN 3 0/000.720.9104 (u. 1)
12	RJ-CLUTCH HOSE WASHER 10x4x1 : R330700 BE25622007 (u. 1)
13	BEARING 64042RSR C180700 (u. 1)
14	(ENDURO) (REAR) WHEEL SEAL BE250318055 (u. 1)

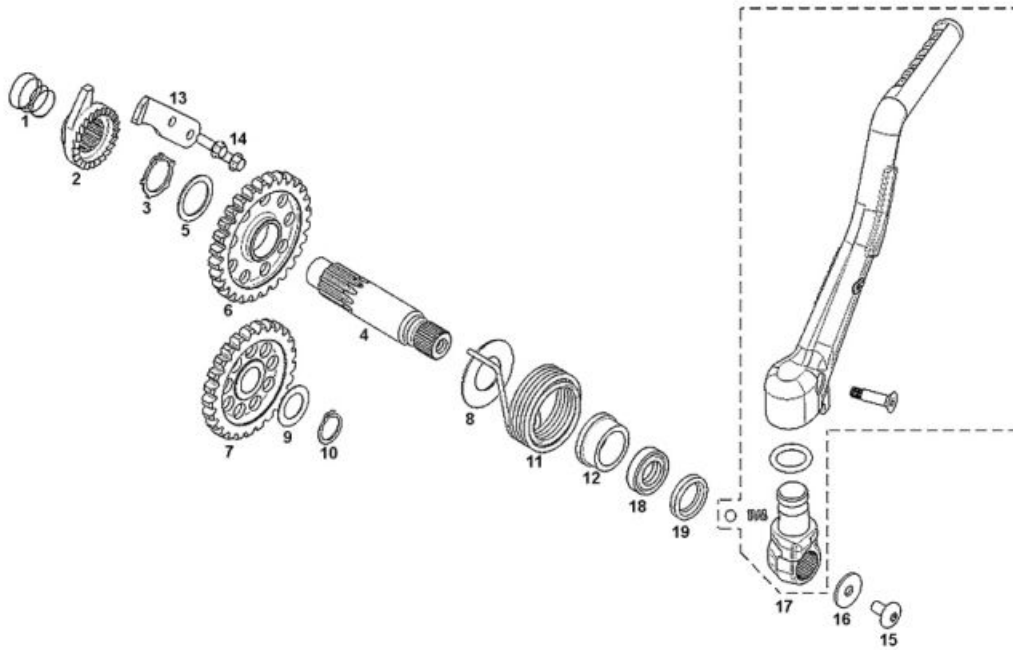
10	RJ-REAR SHORT WHEEL SPACER : R600701 : BE250018025 0/000.480.9104 (u. 1)
	OBSOLETE : 0/000.480.9104 : (ENDURO) (REAR) SHORT WHEEL SPACER : R600701 <b>OBSOLETE</b> BE250018025 (u. 1)
11	(ENDURO) (REAR) WHEEL AXIS (2001-2017) BE25618020 (u. 1)
12	OBSOLETE : 0/000.460.9118 : TT-HEX FLANGE BOLT 6x14 : T0206014/2 <b>OBSOLETE</b> T0206014 (u. 1)
	HEX FLANGE BOLT 6x14 : T0206014/2 : T0206014 0/000.460.9118 (u. 1)
13	REAR BRAKE PAD BRACKET (B) {GASGAS EC/XC} BE250022091 (u. 1)
14	(ENDURO) (REAR) BRAKE CALIPER HOLDER SCREW BE250022096 (u. 1)
15	(ENDURO) RUBBER BLEEDER CAP (2001-2019) BE250022055 (u. 1)
16	(ENDURO) (REAR) BRAKE BLEEDER : BE250022038 BE250022060 (u. 1)
17	(ENDURO) (REAR) BRAKE HOSE (NISSIN) BE661002509 (u. 1)
18	OBSOLETE : RJ-REAR BRAKE PADS *SINTERED G1396* {GASGAS EC/XC 09-19/RIEJU MR 21->} <b>OBSOLETE</b> BE675002509/1 (u. 1)
	Galfer - REAR BRAKE PADS {GASGAS EC/XC 09-19, RIEJU MR 21 → } (HH SINTERED) FD286G1396 (u. 1)
	OBSOLETE : EBC Brakes - REAR BRAKE PADS *MX-S FORMULA* {GASGAS EC 2009-2019 /RIEJU 2021--->} MXS367 (u. 1)
	RJ-REAR BRAKE PADS *NISSIN* {GASGAS EC/XC 09-19/RIEJU MR 21->} BE675002509 (u. 1)
	Galfer - REAR BRAKE PADS *ORGANIC* {GASGAS EC/XC 09-19, RIEJU MR 21 → } FD286G1054 (u. 1)
19	ENDURO REAR DISC BRAKE {GASGAS EC/XC 10-17} BE570002509 (u. 1)
	Galfer - REAR DISC WAVE BRAKE ROTOR {GASGAS EC/XC 01-19, RIEJU MR 21 → } DF678WLL (u. 1)
20	(ENDURO) (REAR) WHEEL SPOKE 192x4.5 (BLACK) (BRAKE SIDE 18") BE59200GG-CAW-1 (u. 1)
21	(ENDURO) (REAR) WHEEL SPOKE 188x4.5 (BLACK) (CROWN SIDE 18") BE59210GG-CAW-1 (u. 1)
22	RJ-MR (REAR) AIR HOSE ME-CR18F NHS M/CV1-09-1 : BE25618004, N180705 : BE552002511 0/000.520.9102 (u. 1)
	OBSOLETE : 0/000.520.9102 : (ENDURO) (REAR) AIR HOSE ME-CR18F NHS M/CV1-09-1 : BE25618004, N180705 <b>OBSOLETE</b> BE552002511 (u. 1)
23	RJ-MR (REAR) WHEEL RIM BAND : BE25618003, N160700 : BE553002511 0/000.220.9110 (u. 1)
	OBSOLETE : 0/000.220.9110 : (ENDURO) (REAR) WHEEL RIM BAND : BE25618003, N160700 <b>OBSOLETE</b> BE553002511 (u. 1)
24	(ENDURO) (REAR) CALIPER SUPPORT BE671002509 (u. 1)
25	(ENDURO) (FRONT) BRAKE CALIPER BOLT (2001-2019) BE250022034 (u. 1)
26	(ENDURO) DUST COVER (2001-2019) : BE250022093, BE620682508 BE675802509 (u. 1)
27	RJ-MR (REAR) BRAKE SET (2009-2019) : BE67000CT2509 0/000.860.9102 (u. 1)
	OBSOLETE : 0/000.860.9102 : (ENDURO) (REAR) BRAKE SET (2009-2019) <b>OBSOLETE</b> BE67000CT2509 (u. 1)

28	REAR BRAKE PADS PIN {GASGAS} : BE575902511 BE250022094 (u. 1)
29	(ENDURO) (REAR) BRAKE NISSIN PROTECTOR PIN BE250022095 (u. 1)
30	OBSOLETE : 0/000.510.9102 : (ENDURO) (REAR) TIRE 140/80-18 M/C 70M M+S METZELER (2011-2019) <b>OBSOLETE</b> BE551002511 (u. 1) RJ-REAR TIRE 140/80-18 M/C 70M M+S METZELER (2011-2019) : BE551002511 0/000.510.9102 (u. 1)
31	OBSOLETE : 0/000.220.9115 : (ENDURO) (REAR) TIRE HOLDER (2001-2019) : R520003, BE25618008/3, BE25618008, BE250218008 <b>OBSOLETE</b> BE555002509 (u. 1) RJ-MR (REAR) TIRE HOLDER (2001-2019) : R520003, BE25618008/3, BE25618008, BE250218008 : BE555002509 0/000.220.9115 (u. 1)
32	TT-NYLOCK NUT 8mm T2108001 (u. 1) NYLOC NUT 8mm : T2108001, T2108001/2 0/000.340.9114 (u. 1)
33	OBSOLETE : MAGNET SUPPORT SET {GASGAS EC 2001-2019} : BE250022039 BE620692508 (u. 1)
34	REAR WHEEL HUB BE59100GG-CAB-1 (u. 1)
35	ALUMINIUM REAR WHEEL SPACER R575700 (u. 1)
36	WHEEL BEARING : C160700 C160001 (u. 1)
37	(ENDURO) LONG WHEEL SPACER BE250318021 (u. 1)
38	OBSOLETE : SPROCKET, Z44 <b>OBSOLETE</b> BF250018024/2 (u. 1) Z40 SPROCKET BE250118125SM (u. 1) DDC Racing - (REAR) 48 TOOTH SPROCKET (2001-->) OEB1-48 (u. 1) RJ-MR REAR 48 TOOTH SPROCKET {GASGAS 01->} : BE250418034/3, BE25618034N, BE250418034N, BE250418034, BC25718024, 00060062-0 : BE573002511 0/000.500.9101 (u. 1) Renthal - ENDURO REAR *48T* SPROCKET {RIEJU/SWM} 216U-520-48GPSI (u. 1) OBSOLETE : 0/000.500.9101 : (ENDURO) (REAR) WHEEL CHAIN SPROCKET Z48 : BE250418034/3, BE25618034N, BE250418034N, <b>OBSOLETE</b> BE250418034, BC25718024, 00060062-0 BE573002511 (u. 1)
39	NYLOC FLANGE NUT 8mm : T2208002/2, T2208002/3 : T2208002 0/000.340.9119 (u. 1) OBSOLETE : 0/000.340.9119 : NYLOC FLANGE NUT 8mm : T2208002/2, T2208002/3 <b>OBSOLETE</b> T2208002 (u. 1)
40	OBSOLETE : 0/000.460.9153 : C/SUNK ALLEN BOLT 8X30 : BE25618030 <b>OBSOLETE</b> T0408030 (u. 1) C/SUNK ALLEN BOLT 8X30 : BE25618030 : T0408030 0/000.460.9153 (u. 1)
41	REAR WHEEL SELFLOCKING NUT : R640700 BE25618023 (u. 1)

	RJ-MR (REAR) WHEEL CHAIN (OPEN 135 ZRA 112 STEPS W/ CLIP) : B480700, BE250010036, BE25610036, BE25810036, BE250310036 : BE57800GG-CLJ-1 0/001.050.9100 (u. 1)
42	OBSOLETE : 0/001.050.9100 : 135ORCX112 CHAIN EC2003 : B480700, BE250010036, BE25610036, BE25810036 <b>OBSOLETE</b> BE250310036 (u. 1)
	Renthal - ENDURO CHAIN R1 520 *120-L* {ALL OEM} C128 (u. 1)
	OBSOLETE : 0/001.050.9100 : (ENDURO) (REAR) WHEEL CHAIN (OPEN 135 ZRA 112 STEPS W/ CLIP) : B480700, BE250010036, BE25610036, BE25810036, BE250310036 BE57800GG-CLJ-1 (u. 1) <b>OBSOLETE</b>
43	(ENDURO) (REAR) WHEEL SPOKE NUT BE592153013 (u. 1)
44	FRONT WHEEL GASKET {GASGAS EC/XC 01-19} C160710 (u. 1)
46	(ENDURO) (REAR) BRAKE CALIPER PISTON BE675602509 (u. 1)
47	(ENDURO) (REAR) BRAKE CALIPER PISTON O-RING (2011-2019) BE675502509 (u. 1)
48	(ENDURO) (REAR) BRAKE CALIPER O-RING (2000-2017) BE250022048 (u. 1)
49	OBSOLETE : REAR WHEEL SET <b>OBSOLETE</b> BE55000CT-CAW-1 (u. 1)
50	CHAIN SPLIT LINK BE250310066 (u. 1)
51	RJ-MR SHORT UNEX CLAMP 2.5x98 : BE25634010 0/000.660.9106 (u. 1)
	OBSOLETE : 0/000.660.9106 : (ENDURO) SHORT UNEX CLAMP 2.5x98 <b>OBSOLETE</b> BE25634010 (u. 1)
52	HOSE HOLDER BOLT 10x125 : BE25622030 BC25722006 (u. 1)
53	REAR BLACK RIM BE59000CT-CAW-1 (u. 1)
54	OBSOLETE : 0/000.440.0160 : FLAT WASHER 8x16 : T4008017 <b>OBSOLETE</b> T4008016 (u. 1)
	RJ-FLAT WASHER 8x16 : T4008017, T4008016 0/000.440.0160 (u. 1)
55	(ENDURO) (REAR) COMPLETE BRAKE SET (2008-2017) : BE250522118 BE65000CT2509 (u. 1)
57	O-RING D42 {GASGAS EC/XC} BE25618038 (u. 1)
58	(ENDURO) (REAR) WHEEL INTERIOR HUB WASHER BE250318056 (u. 1)
59	WHEEL BEARING {GASGAS EC/XC 04-19} BE250318054 (u. 1)
60	TT-HEX HEAD WASHER 6x16 T0206016 (u. 1)
	HEX FLANGE SCREW 6x16 : T0206016/2, T0106016N, T0106016, BE25618032, BE250018029 : T0206016 0/000.460.9119 (u. 1)

# **2017 RIEJU/GASGAS EC - 300cc, 250cc**

Start lever



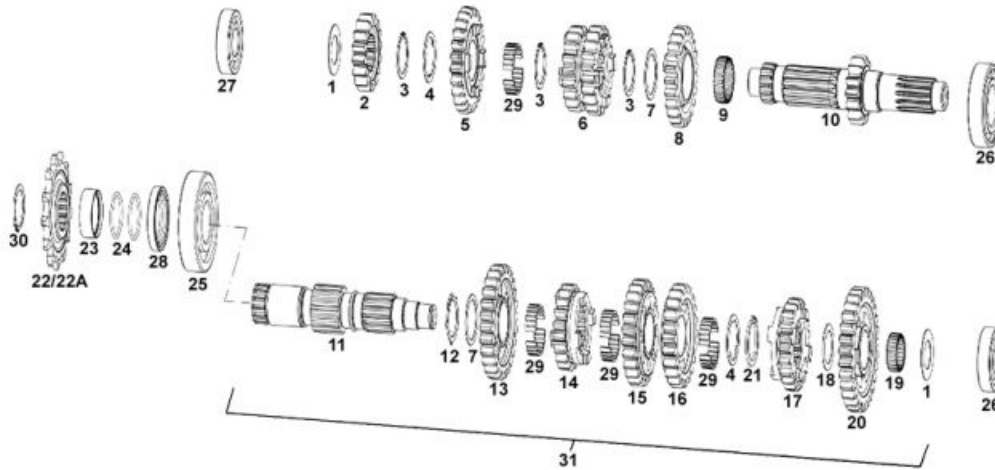
1	<p>OBSOLETE : 0/000.470.9109 : (ENDURO) KICKSTART SPRING <b>OBSOLETE</b> ME25636006 (u. 1)</p> <p>RJ-MR KICKSTART SPRING : ME25636006 0/000.470.9109 (u. 1)</p>
2	<p>OBSOLETE : 0/005.400.9110 : (ENDURO) INNER KICKSTART GEAR : ME250126004, ME25636004 <b>OBSOLETE</b> ME120126004 (u. 1)</p> <p>RJ-MR INNER KICKSTART GEAR : ME250126004, ME25636004 : ME120126004 0/005.400.9110 (u. 1)</p>
3	<p>RJ-MR KICKSTART CIRCLIP : M03615000 : ME25636052 0/000.300.9105 (u. 1)</p> <p>OBSOLETE : 0/000.300.9105 : (ENDURO) KICKSTART CIRCLIP : M03615000 <b>OBSOLETE</b> ME25636052 (u. 1)</p>
4	<p>RJ-MR KICKSTARTER SHAFT : ME25636003 : ME250126003 0/005.400.9106 (u. 1)</p> <p>OBSOLETE : 0/005.400.9106 : (ENDURO) KICKSTARTER SHAFT : ME25636003 <b>OBSOLETE</b> ME250126003 (u. 1)</p>
5	<p>OBSOLETE : 0/000.440.9109 : (ENDURO) KICKSTART WASHER 27x202x1 <b>OBSOLETE</b> ME25636000 (u. 1)</p> <p>RJ-MR KICKSTART WASHER 27x202x1 : ME25636000 0/000.440.9109 (u. 1)</p>
6	<p>OBSOLETE : 0/005.400.9105 : (ENDURO) KICKSTART GEAR : ME25636002 <b>OBSOLETE</b> ME250126002 (u. 1)</p> <p>RJ-KICKSTART GEAR {GASGAS/RIEJU} : ME25636002 : ME250126002 0/005.400.9105 (u. 1)</p>
7	<p>RJ-MR KICKSTART INNER PINION : ME880002508 0/005.400.9108 (u. 1)</p> <p>OBSOLETE : 0/005.400.9108 : (ENDURO) KICKSTART INNER PINION <b>OBSOLETE</b> ME880002508 (u. 1)</p>

8	RJ-MR KICKSTARTER SHAFT : ME25636003 : ME250126003 0/005.400.9106 (u. 1)	
	OBSOLETE : 0/005.400.9106 : (ENDURO) KICKSTARTER SHAFT : ME25636003 ME250126003 (u. 1)	<b>OBSOLETE</b>
9	RJ-MR WASHER 24x15x.08 : ME25636018 : ME25636012 0/000.440.9110 (u. 1)	
	OBSOLETE : 0/000.440.9110 : (ENDURO) WASHER 24x15x.08 : ME25636018 ME25636012 (u. 1)	<b>OBSOLETE</b>
10	(ENDURO) CLUTCH AXLE SEEGER 15 ME25632017 (u. 1)	
11	OBSOLETE : 0/000.470.9110 : (ENDURO) KICKSTART RETURN SPRING ME86000GG-CAB-1 (u. 1)	<b>OBSOLETE</b>
	RJ-MR KICKSTART RETURN SPRING : ME86000GG-CAB-1 0/000.470.9110 (u. 1)	
12	OBSOLETE : 0/000.480.9125 : (ENDURO) KICKSTART RETURN SPRING BUSHING : ME250136053 ME86500GG-CAB-1 (u. 1)	<b>OBSOLETE</b>
	RJ-MR KICKSTART RETURN SPRING BUSHING : ME250136053 : ME86500GG-CAB-1 0/000.480.9125 (u. 1)	
13	RJ-MR KICKSTART RATCHET BRACKET : ME25636005 0/000.980.9114 (u. 1)	
	OBSOLETE : 0/000.980.9114 : (ENDURO) KICKSTART RATCHET BRACKET ME25636005 (u. 1)	<b>OBSOLETE</b>
14	OBSOLETE : 0/000.460.9115 : HEAD SCREW 5x15: T0205015/2, T0205010 T0205015 (u. 1)	<b>OBSOLETE</b>
	HEAD SCREW 5x15: T0205015/2, T0205010 : T0205015 0/000.460.9115 (u. 1)	
15	OBSOLETE : ALLEN BOLT 6x12 : T0316012, T0316012/2 T0306012 (u. 1)	<b>OBSOLETE</b>
	OBSOLETE : T0306012 : KICKSTART TORX BOLT : T0316012/2 T0316012 (u. 1)	<b>OBSOLETE</b>
	OBSOLETE : ALLEN BOLT 6x12 : T0316012, T0316012/2 T0306012 (u. 1)	<b>OBSOLETE</b>
16	OBSOLETE : 0/000.440.9112 : (ENDURO) WASHER 6x20x2 ME85170GG-CAB-1 (u. 1)	<b>OBSOLETE</b>
	RJ-MR WASHER 6x20x2 : ME85170GG-CAB-1 0/000.440.9112 (u. 1)	
17	OBSOLETE : 0/005.430.9101 : (ENDURO) KICKSTART PEDAL SET : M02610052, M02610102, M02610105, ME250136060, ME250636060, ME25636060, ME890002510, MFS400126060, MFS450626060, MT280036060 MFS890002510 (u. 1)	<b>OBSOLETE</b>
	RJ-MR KICKSTART LEVER KIT : ME89000CT2511, MFS890002510 0/005.430.9101 (u. 1)	
	OBSOLETE : 0/005.430.9101 : (ENDURO) KICKSTART PEDAL SET : M02610052, M02610102, M02610105, ME250136060, ME250636060, ME25636060, ME890002510, MFS400126060, MFS450626060, MT280036060 MFS890002510 (u. 1)	<b>OBSOLETE</b>
	RJ-MR KICKSTART LEVER KIT : ME89000CT2511, MFS890002510 0/005.430.9101 (u. 1)	
	OBSOLETE : 0/005.430.9101 : (ENDURO) KICKSTART LEVER KIT ME89000CT2511 (u. 1)	<b>OBSOLETE</b>
18	OBSOLETE : 0/005.430.9101 : (ENDURO) KICKSTART PEDAL SET : M02610052, M02610102, M02610105, ME250136060, ME250636060, ME25636060, ME890002510, MFS400126060, MFS450626060, MT280036060 MFS890002510 (u. 1)	<b>OBSOLETE</b>
	OBSOLETE : 0/005.430.9101 : (ENDURO) KICKSTART LEVER KIT ME89000CT2511 (u. 1)	<b>OBSOLETE</b>
	RJ-MR KICKSTART OIL SEAL 20x30x7 {GASGAS} : ME25632021 0/000.890.9105 (u. 1)	
	OBSOLETE : 0/000.890.9105 : (ENDURO) KICKSTART OIL SEAL 20x30x7 ME25632021 (u. 1)	<b>OBSOLETE</b>

19	RJ-MR KICKSTART LEVER BUSHING (2014-2019) : ME89025GG-CAB-1 0/000.480.9126 (u. 1)
	OBSOLETE : 0/000.480.9126 : (ENDURO) KICKSTART LEVER BUSHING (2014-2019) <b>OBSOLETE</b> ME89025GG-CAB-1 (u. 1)



Change

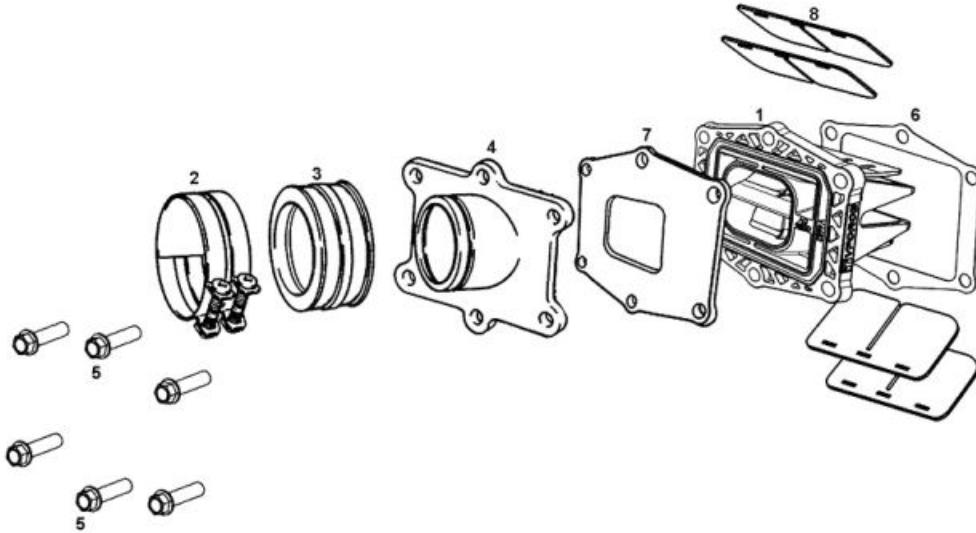


1	(ENDURO) SHIFT WASHER 18x315x07 ME25636014 (u. 1)
2	(ENDURO) PRIMARY II PINION ME25636071 (u. 1)
3	OBSOLETE : 0/000.300.9107 : (ENDURO) CIRCLIP DIN 471 : 25049255 <b>OBSOLETE</b> ME25936084 (u. 1) RJ-MR CIRCLIP DIN 471 : 25049255 : ME25936084 0/000.300.9107 (u. 1)
4	(ENDURO) GROOVING WASHER 315x(25x22)x1 ME25636091 (u. 1)
5	(ENDURO) PRIMARY VI PINION ME25636074 (u. 1)
6	PRIMARY III AND IV PINION {GASGAS EC/XC 18→, RIEJU MR 21→} ME25636072 (u. 1)
7	GEAR WASHER 25.2x31.5x1 ME25636017 (u. 1)
8	(ENDURO) PRIMARY V PINION ME25636073 (u. 1)
9	OBSOLETE : 0/000.960.9104 : GEAR BEARING <b>OBSOLETE</b> M02616000 (u. 1) RJ-GEAR BEARING K25-29-10 : M02616000 0/000.960.9104 (u. 1)
10	(ENDURO) PRIMARY AXLE : ME25636070 ME250236070 (u. 1)
11	(ENDURO) SECONDARY AXIS ME410002508 (u. 1)
12	CIRCLIP DIN 983 D.25 (25049255) ME25636095 (u. 1)
13	PINION SECONDARY II 7-26 : ME25636077 ME250136077 (u. 1)

14	SECUNDARY VI PINION : ME25636081 ME250136081 (u. 1)
15	SECUNDARY III PINION ME25636078 (u. 1)
16	SECUNDARY IV PINION ME25636079 (u. 1)
17	SECUNDARY V PINION ME25636080 (u. 1)
18	(ENDURO) GEAR WASHER 208x29x1 ME25636016 (u. 1)
19	RJ-MR NEEDLES BEARING K20x24x10 : ME25636059 0/000.960.9114 (u. 1)
	OBSOLETE : 0/000.960.9114 : (ENDURO) NEEDLES BEARING K20x24x10 <b>OBSOLETE</b> ME25636059 (u. 1)
20	(ENDURO) SECONDARY I PINION (2001-2019) ME25636076 (u. 1)
21	CIRCLIP D.25 DIN 471 SE03025200009 (u. 1)
22	Renthal - ENDURO FRONT *12T GROOVED* SPROCKET {RIEJU} 360A-520-12GP (u. 1)
	RJ-MR (FRONT) SPROCKET 12 TOOTH : MF25836025 0/005.400.9113 (u. 1)
	Supersprox - ENDURO FRONT *12T* SPROCKET {RIEJU MR} CST-715-12-1 (u. 1)
	RJ-FRONT SPROCKET *13T* : ME25636025 0/005.400.9112 (u. 1)
	OBSOLETE : 0/005.400.9112 : (ENDURO) (FRONT) SPROCKET 13 TOOTH <b>OBSOLETE</b> ME25636025 (u. 1)
	OBSOLETE : 0/005.400.9113 : (ENDURO) (FRONT) SPROCKET 12 TOOTH <b>OBSOLETE</b> MF25836025 (u. 1)
23	Supersprox - ENDURO FRONT *13T* SPROCKET {RIEJU MR} CST-715-13-1 (u. 1)
	OBSOLETE : 0/000.260.9100 : (ENDURO) SEAL BUSHING (2001-2019) <b>OBSOLETE</b> ME25636046 (u. 1)
24	RJ-MR SEAL BUSHING (2001-2019) : ME25636046 0/000.260.9100 (u. 1)
	RJ-MR C/SHAFT SPROCKET O-RING 25x2 : ME25632025 0/000.490.9107 (u. 1)
25	OBSOLETE : 0/000.490.9107 : (ENDURO) C/SHAFT SPROCKET O-RING 25x2 <b>OBSOLETE</b> ME25632025 (u. 1)
	OBSOLETE : 0/000.960.9113 : (ENDURO) SHIFT BEARING 6305 : 00042155-0 <b>OBSOLETE</b> ME25636058 (u. 1)
26	RJ-MR SHIFT BEARING 6305 : 00042155-0 : ME25636058 0/000.960.9113 (u. 1)
	OBSOLETE : 0/000.960.9112 : (ENDURO) SHIFT BEARING 6203 : MIT50012006, Y00.126027 <b>OBSOLETE</b> ME25636057 (u. 1)
27	RJ-MR SHIFT BEARING 6203 : MIT50012006, Y00.126027 : ME25636057 0/000.960.9112 (u. 1)
	RJ-SHIFT BEARING 6205ZC3E {GASGAS 02-19, RIEJU MR 20->} : ME250136056 0/000.960.9106 (u. 1)
28	OBSOLETE : 0/000.960.9106 : (ENDURO) SHIFT BEARING 6205ZC3E (2002-2019) <b>OBSOLETE</b> ME250136056 (u. 1)
	OBSOLETE : 0/000.890.9106 : (ENDURO) COUNTERSHAFT SEAL PRO 30x40x7 <b>OBSOLETE</b> ME25636024 (u. 1)
	RJ-COUNTERSHAFT SEAL PRO 30x40x7 : ME25636024 0/000.890.9106 (u. 1)

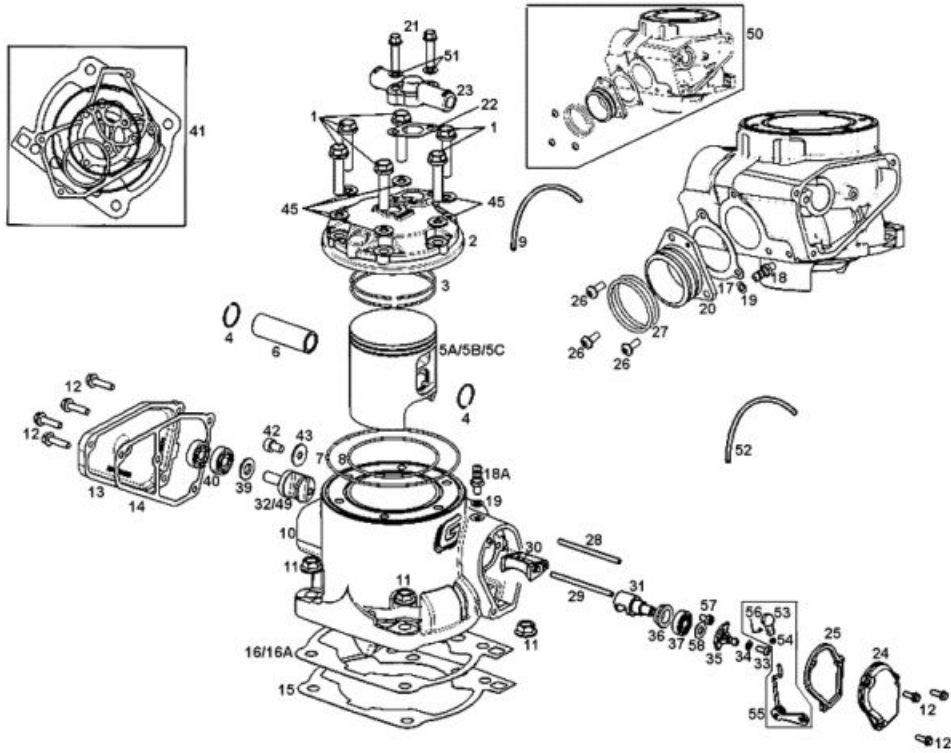
29	RJ-MR NEEDLES BEARING KD22x25x98 : ME250236102 0/005.150.9101 (u. 1)
	OBSOLETE : 0/005.150.9101 : (ENDURO) NEEDLES BEARING KD22x25x98 <b>OBSOLETE</b> ME250236102 (u. 1)
30	RJ-MR CIRCLIP DIN 471 : 25049255 : ME25936084 0/000.300.9107 (u. 1)
	OBSOLETE : 0/000.300.9107 : (ENDURO) CIRCLIP DIN 471 : 25049255 <b>OBSOLETE</b> ME25936084 (u. 1)
31	OBSOLETE : 0/005.400.9107 : (ENDURO) SHIFT GEAR SET <b>OBSOLETE</b> ME40000CT-CSK-1 (u. 1)
	RJ-MR SHIFT GEAR SET : ME40000CT-CSK-1 0/005.400.9107 (u. 1)
	OBSOLETE : 0/005.400.9107 : (ENDURO) GEAR SHIFT SET : ME25636010, ME250236010, ME250136010 <b>OBSOLETE</b> ME40000CT2508 (u. 1)
	OBSOLETE : 0/005.400.9107 : (ENDURO) SHIFT GEAR SET <b>OBSOLETE</b> ME40000CT-CSK-1 (u. 1)
	RJ-MR SHIFT GEAR SET : ME40000CT-CSK-1 0/005.400.9107 (u. 1)

Reed valves



1	RJ-MR REED VALVE ASSEMBLY : ME25000GG-CAB-1 0/005.600.9100 (u. 1)
	OBSOLETE : 0/005.600.9100 : (ENDURO) REED VALVE ASSEMBLY <b>OBSOLETE</b> ME25000GG-CAB-1 (u. 1)
2	OBSOLETE : 0/000.680.9109 : (TRIALS) CLAMP S56/9 W1 (2005-2019) <b>OBSOLETE</b> MT280316132 (u. 1)
	RJ-CLAMP S56/9 W1 (2005-2019) : MT280316132 0/000.680.9109 (u. 1)
3	(ENDURO) RUBBER MANIFOLD CONNECTOR ME250616131 (u. 1)
4	(ENDURO) REED VALVE MANIFOLD ME250816135 (u. 1)
5	FLANGE BOLT 6x25 10.9 : T0206025/2 : T0206025 0/000.460.9121 (u. 1)
	OBSOLETE : 0/000.460.9121 : FLANGE BOLT 6x25 10.9 : T0206025/2 <b>OBSOLETE</b> T0206025 (u. 1)
6	OBSOLETE : 0/000.490.9120 : (ENDURO) CRANKCASE REED VALVE GASKET : ME250644005 <b>OBSOLETE</b> ME94600GG-CAB-1 (u. 1)
	RJ-MR CRANKCASE REED VALVE GASKET : ME250644005, ME94600GG-CAB-1 0/000.490.9120 (u. 1)
7	(ENDURO) PIPE BOX GASKET ME250644105 (u. 1)
	RJ-MR INTAKE MANIFOLD GASKET : ME250644105 : ME44105GG-CLJ-1 0/000.490.9114 (u. 1)
8	(ENDURO) VFORCE4 REED VALVE SET ME27000GG-CAB-1 (u. 1)

Cylinder



1	HEAD SCREW 8x35 : T0208035 0/000.460.9130 (u. 1)
	OBSOLETE : 0/000.460.9130 : HEAD SCREW 8x35 <b>OBSOLETE</b> T0208035 (u. 1)
2	CYLINDER HEAD EC 200-2014 ME75000GG-CBT-2 (u. 1) - 200cc
	(ENDURO) CYLINDER HEAD (250cc) (2014-2017) : ME75000GG-BZX-1 ME75000GG-BZX-2 (u. 1) - 250cc
	(ENDURO) CYLINDER HEAD (300cc) (2015-2017) : ME75000GG-CAB-1 ME75000GG-CAB-2 (u. 1) - 300cc
3	PISTON RINGS SET *300cc* {GASGAS EC/XC} : ME30916040R ME30916040 (u. 1) - 300cc
	(ENDURO) PISTON RINGS SET (200cc) ME20916040 (u. 1) - 200cc
	(ENDURO) PISTON RINGS SET (250cc) : 25011250 ME25616040 (u. 1) - 250cc
4	(ENDURO) ROUND PISTON CLIP 18mm ME25616126 (u. 1)

	(ENDURO) PISTON "B" (200cc) ME20816121 (u. 1) - 200cc
	(ENDURO) PISTON "A" (200cc) ME20816020 (u. 1) - 200cc
	PISTON C *300cc* {RIEJU 2018->} : ME30916122, ME30916123 ME30916122R (u. 1) - 300cc
	PISTON A *300cc* {RIEJU/GASGAS} : ME30916020R, ME30916020 ME300416020 (u. 1) - 300cc
	S3 Engine - ENDURO S3 PISTON *B* 250cc KIT {RIEJU/GASGAS 00-19/SHERCO 12-16} PI-664-B (u. 1)
	S3 Engine - ENDURO S3 PISTON *B* 300cc {RIEJU/GASGAS/BETA 18-20/SHERCO 12-15} PI-963-B (u. 1)
	S3 Engine - ENDURO S3 PISTON *C* 300cc {RIEJU/GASGAS/BETA 18-20/SHERCO 12-15} PI-963-C (u. 1)
5	S3 Engine - ENDURO S3 PISTON *C* 250cc KIT {RIEJU/GASGAS 00-19/SHERCO 12-16} PI-664-C (u. 1)
	PISTON A *250cc* {RIEJU/GASGAS} : ME25616020, 25010500 ME25616020R (u. 1) - 250cc
	OBSOLETE : S3 Engine - ENDURO S3 PISTON *A* 300cc KIT {RIEJU} <b>OBSOLETE</b> PI-GG-EC300-A (u. 1)
	PISTON B *300cc* {RIEJU 2018->} : ME30916121R, ME30916121 ME300416121 (u. 1) - 300cc
	PISTON B *250cc* {RIEJU/GASGAS} : ME25616121, 25010501 ME25616121R (u. 1) - 250cc
	S3 Engine - ENDURO S3 PISTON *A* 300cc {RIEJU/GASGAS/BETA 18-20/SHERCO 12-15} PI-963-A (u. 1)
	S3 Engine - ENDURO S3 PISTON *A* 250cc KIT {RIEJU/GASGAS 00-19/SHERCO 12-16} PI-664-A (u. 1)
	PISTON C *250cc* {RIEJU/GASGAS} : 25010502, ME25616122 ME25616122R (u. 1) - 250cc
6	(ENDURO) PISTON PIN ME25616125 (u. 1)
7	OBSOLETE : 0/000.490.9109 : (ENDURO) OUTER CYLINDER HEAD O-RING (250,300cc) : 25012251 <b>OBSOLETE</b> ME25916060 (u. 1)
	RJ-MR OUTER CYLINDER HEAD O-RING (250,300cc) : 25012251, ME25916060 0/000.490.9109 (u. 1)
8	OBSOLETE : 0/000.490.9111 : (ENDURO) INNER CYLINDER HEAD O-RING (300cc) 75.92X1 <b>OBSOLETE</b> ME30916065 (u. 1) - 300cc
	RJ-MR INNER CYLINDER HEAD O-RING (300cc) 75.92X1 : ME30916065 0/000.490.9111 (u. 1)
9	CARTER BREATH TUBE : MQ450616103 ME25610022 (u. 1)
10	(ENDURO) CYLINDER (300cc) (2018-2019) : ME700003013, ME300216022, ME30916022 ME70000GG-CLJ-1 (u. 1)
	OBSOLETE : CYLINDER *250cc* {GASGAS 13} : ME25916022, ME25616022 ME700002513 (u. 1)
	OBSOLETE : S3 Engine - CYLINDER 300cc {GASGAS 2018-2019} <b>OBSOLETE</b> CY-EC-GG-300 (u. 1)
	OBSOLETE : ME70000GG-CLJ-1 : (ENDURO) CYLINDER (300cc) (2003-2017) : ME300216022, ME30916022 <b>OBSOLETE</b> ME700003013 (u. 1)
	(ENDURO) CYLINDER (300cc) (2018-2019) : ME700003013, ME300216022, ME30916022 ME70000GG-CLJ-1 (u. 1)
11	OBSOLETE : 0/000.340.9105 : NUT 10x1.5 : ME25616031 <b>OBSOLETE</b> M01613001 (u. 1)
	NUT 10x1.5 : ME25616031 : M01613001 0/000.340.9105 (u. 1)

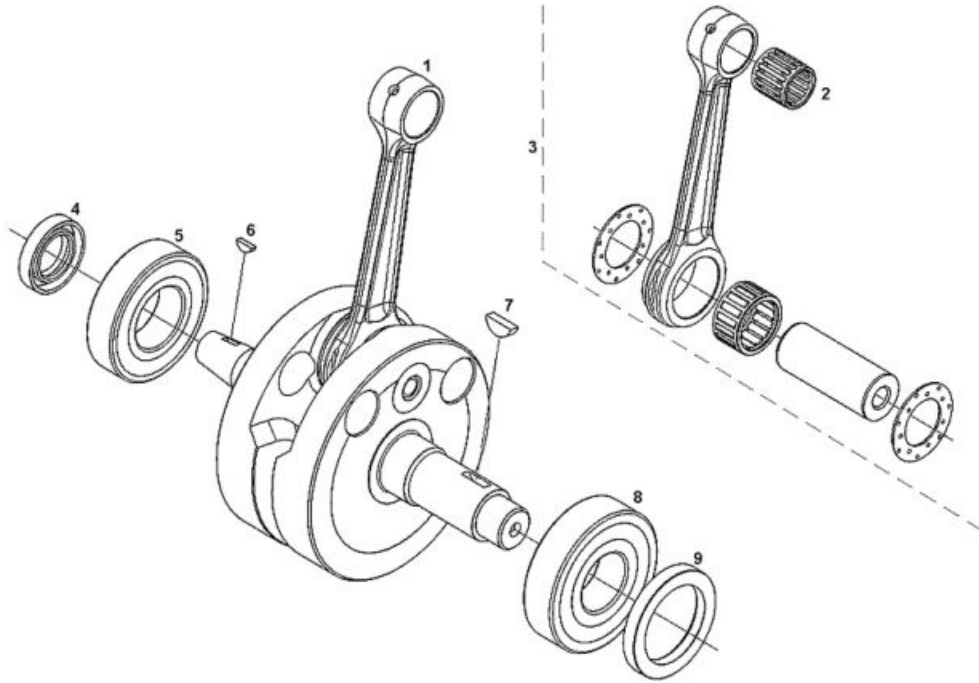
12	OBSOLETE : 0/000.460.9115 : HEAD SCREW 5x15: T0205015/2, T0205010 <b>OBSOLETE</b> T0205015 (u. 1)
	HEAD SCREW 5x15: T0205015/2, T0205010 : T0205015 0/000.460.9115 (u. 1)
	OBSOLETE : 0/000.460.9115 : HEAD SCREW 5x15: T0205015/2, T0205010 <b>OBSOLETE</b> T0205015 (u. 1)
	HEAD SCREW 5x15: T0205015/2, T0205010 : T0205015 0/000.460.9115 (u. 1)
13	RJ-MR (LEFT) VALVE COVER (BLACK) : ME100033013 0/000.350.9104 (u. 1)
	OBSOLETE : 0/000.350.9104 : (ENDURO) (LEFT) VALVE COVER (BLACK) <b>OBSOLETE</b> ME100033013 (u. 1)
14	OBSOLETE : 0/000.490.9113 : LEFT VALVE COVER GASKET : ME25644006 <b>OBSOLETE</b> ME440063013 (u. 1)
	RJ-LEFT VALVE COVER GASKET : ME25644006, ME440063013 0/000.490.9113 (u. 1)
15	(ENDURO) CYLINDER GASKET 0.15 ME25644010 (u. 1)
16	SEAL BASE CILINDER R 1MM EC 200 ME70050GG-CAY-1 (u. 1)
	RJ-MR CYLINDER GASKET 0.5 : ME44000GG-CAB-1 : ME44000GG-CLJ-1 0/000.490.9112 (u. 1)
	(ENDURO) CYLINDER GASKET 0.3 ME25644009 (u. 1)
	OBSOLETE : 0/000.490.9112 : CYLINDER GASKET ME44000GG-CAB-1 (u. 1)
17	(ENDURO) CYLINDER EXHAUST GASKET ME25644012 (u. 1)
18	ULS BOLT 6X10 ME25710012 (u. 1)
	OBSOLETE : 0/000.630.9105 : CYLINDER VENT NIPPLE : ME25610012 <b>OBSOLETE</b> M01032001 (u. 1)
	CYLINDER VENT NIPPLE : ME25610012 : M01032001 0/000.630.9105 (u. 1)
19	OBSOLETE : 0/000.440.9123 : FIBER WASHER 6x10x1.5 <b>OBSOLETE</b> T4006010 (u. 1)
	FIBER WASHER 6x10x1.5 : T4006010 0/000.440.9123 (u. 1)
20	(ENDURO) ALUMINIUM EXHAUST MANIFOLD : ME25616019, ME25916019 ME250516019 (u. 1)
21	OBSOLETE : 0/000.460.9121 : FLANGE BOLT 6x25 10.9 : T0206025/2 <b>OBSOLETE</b> T0206025 (u. 1)
	FLANGE BOLT 6x25 10.9 : T0206025/2 : T0206025 0/000.460.9121 (u. 1)
22	(ENDURO) THERMOSTAT GASKET COVER (250cc) ME250344011 (u. 1)
23	THERMOSTAT COVER : ME25916001 ME250316001 (u. 1)
24	OBSOLETE : 0/000.350.9108 : (ENDURO) (RIGHT) VALVE COVER <b>OBSOLETE</b> ME72020GG-CAB-1 (u. 1)
	RJ-MR (RIGHT) VALVE COVER : ME72020GG-CAB-1 0/000.350.9108 (u. 1)
25	RJ-MR (RIGHT) VALVE COVER GASKET 4mm : ME70055GG-CEQ-1 0/000.490.9117 (u. 1)
	OBSOLETE : 0/000.490.9117 : (ENDURO) (RIGHT) VALVE COVER GASKET 4mm <b>OBSOLETE</b> ME70055GG-CEQ-1 (u. 1)

26	TORX SCREW 6x14 T0566014 (u. 1)
27	EXHAUST MANIFOLD O-RING 44x3 {GASGAS EC/XC} : BE25626006 BE250526006 (u. 1)
28	(ENDURO) LONG EXHAUST VALVE ROD 93mm ME25616027 (u. 1)
29	(ENDURO) SHORT EXHAUST VALVE ROD 83mm ME25616017 (u. 1)
30	(ENDURO) EXHAUST CENTRAL VALVE (250,300cc) (2015-2017) ME72005GG-CEQ-1 (u. 1) - 250cc / 300cc
31	RIEJU/GASGAS (RIGHT) EXHAUST VALVE : ME25616016 ME72000GG-CLK-1 (u. 1) OBSOLETE : ME72000GG-CLK-1 : RIGHT EXHAUST VALVE ME25616016 (u. 1)
32	LEFT EXHAUST VALVE {GASGAS 01-14} ME25616014 (u. 1)
33	TT-ALLEN BOLT 5x10 T0505010 (u. 1)
34	WASHER 5x12x1.5 : T4005012 0/000.440.9121 (u. 1) TT-WASHER 5x12x1.5 T4005012 (u. 1)
35	OBSOLETE : 0/000.640.9103 : (ENDURO) EXHAUST VALVE LEVER SET : ME72321GG-CEQ-1 <b>OBSOLETE</b> ME72320CT-CEQ-1 (u. 1) RJ-MR EXHAUST VALVE LEVER SET : ME72321GG-CEQ-1 : ME72320CT-CEQ-1 0/000.640.9103 (u. 1)
36	(ENDURO) EXHAUST VALVE BEARING SPACER ME25616036 (u. 1)
37	OBSOLETE : 0/000.960.9107 : (ENDURO) WATER PUMP BEARING (SKF 6000-Z) : M03313001 <b>OBSOLETE</b> ME25610010 (u. 1) RJ-MR WATER PUMP BEARING (SKF 6000-Z) : M03313001 : ME25610010 0/000.960.9107 (u. 1)
39	OBSOLETE : 0/000.440.0160 : FLAT WASHER 8x16 : T4008017 <b>OBSOLETE</b> T4008016 (u. 1) RJ-FLAT WASHER 8x16 : T4008017, T4008016 0/000.440.0160 (u. 1)
40	RJ-MR CENTRAL ENGINE SHAFT BEARING 608.Z.C3 : ME25616032 0/000.960.9108 (u. 1) OBSOLETE : 0/000.960.9108 : (ENDURO) ENGINE BEARING <b>OBSOLETE</b> ME25616032 (u. 1)
41	CYLINDER TOP END GASKET KIT {GASGAS/RIEJU} ME94620CT-CAB-1 (u. 1) - 300cc GASKET SET, CYL. AND HEAD. 250CC ME94620CT-BZX-1 (u. 1) - 250cc KIT SEAL S CIL.HEAD CIL. 250C.C. ME25644101 (u. 1) - 200cc
42	TT-ALLEN BOLT 6x10 T0306010 (u. 1)
43	OBSOLETE : WASHER 6x18x1.5 <b>OBSOLETE</b> T4006018 (u. 1) WASHER 6x18x1.5 : T4006018 0/000.440.9126 (u. 1)
45	COPPER WASHER 8x12x1 : T4008012 0/000.440.9128 (u. 1) OBSOLETE : 0/000.440.9128 : COPPER WASHER 8x12x1 <b>OBSOLETE</b> T4008012 (u. 1)



49	<p>OBSOLETE : VALV.ESCAPE IZQ.HOMOL. EC 2016<b>OBSOLETE</b> ME72322GG-EKF-1 (u. 1)</p>
	<p>RJ-MR COMPLETE CYLINDER (300cc) (2018-2019) : ME70000CT-CLJ-1 0/005.190.9100 (u. 1)</p> <p>RJ-MR MR COMPLETE CYLINDER (200cc) (2018) ME70000CT-CLP-1 (u. 1)</p> <p>OBSOLETE : 0/005.190.9100 : (ENDURO) COMPLETE CYLINDER (300cc) (2018-2019)<b>OBSOLETE</b> ME70000CT-CLJ-1 (u. 1)</p> <p>RJ-MR MR COMPLETE CYLINDER (200cc) (2018) ME70000CT-CLP-1 (u. 1)</p>
50	<p>OBSOLETE ME70000CT-CLJ-1 : CYLINDER KIT *300cc* {GASGAS EC} : ME30916022CT, ME700003013CT ME70000CT-CEQ-1 (u. 1) - 300cc</p> <p>OBSOLETE : 0/005.190.9100 : (ENDURO) COMPLETE CYLINDER (300cc) (2018-2019)<b>OBSOLETE</b> ME70000CT-CLJ-1 (u. 1)</p> <p>(ENDURO) CYLINDER KIT (250cc) (2010-2017) : ME700002513CT, ME25916022CT ME70000CT-CEB-1 (u. 1) - 250cc</p> <p>OBSOLETE ME70000CT-CLP-1 : CYLINDER KIT *200cc* {GASGAS EC 2015} : ME200516022CT, ME20916022CT, ME700002013CT, ME70000CT-CAY-1 ME70000CT-CDQ-1 (u. 1) - 200cc</p>
51	<p>OBSOLETE : 0/000.440.9122 : HEAD BOLT WASHER 6x8 : ME25916002<b>OBSOLETE</b> T4006008 (u. 1)</p> <p>HEAD BOLT WASHER 6x8 : ME25916002 : T4006008 0/000.440.9122 (u. 1)</p>
52	<p>(ENDURO) CYLINDER VALVE TUBE (2009-2019) BE733001209 (u. 1)</p>
53	<p>OBSOLETE : 0/000.640.9104 : (ENDURO) EXHAUST PUSHER VALVE SET (2015-2019) : ME72324GG-CEQ-1<b>OBSOLETE</b> ME72325CT-CEQ-1 (u. 1)</p> <p>RJ-MR EXHAUST PUSHER VALVE SET (2015-2019) : ME72324GG-CEQ-1 : ME72325CT-CEQ-1 0/000.640.9104 (u. 1)</p>
55	<p>OBSOLETE : 0/000.640.9104 : (ENDURO) EXHAUST PUSHER VALVE SET (2015-2019) : ME72324GG-CEQ-1<b>OBSOLETE</b> ME72325CT-CEQ-1 (u. 1)</p> <p>RJ-MR EXHAUST PUSHER VALVE SET (2015-2019) : ME72324GG-CEQ-1 : ME72325CT-CEQ-1 0/000.640.9104 (u. 1)</p>
56	<p>OBSOLETE : 0/000.640.9104 : (ENDURO) EXHAUST PUSHER VALVE SET (2015-2019) : ME72324GG-CEQ-1<b>OBSOLETE</b> ME72325CT-CEQ-1 (u. 1)</p> <p>RJ-MR EXHAUST PUSHER VALVE SET (2015-2019) : ME72324GG-CEQ-1 : ME72325CT-CEQ-1 0/000.640.9104 (u. 1)</p>
57	<p>TT-ALLEN BOLT 6x10 T0306010 (u. 1)</p> <p>TT-ALLEN BOLT 6x10 T0306010 (u. 1)</p> <p>T0306010 : SCREW DIN 7984 M 6X10 T0316010 (u. 1)</p>
58	<p>OBSOLETE : 0/000.480.9124 : (ENDURO) BEARING WASHER 10x15x2.5<b>OBSOLETE</b> ME71100GG-CEQ-1 (u. 1)</p> <p>RJ-MR BEARING WASHER 10x15x2.5 : ME71100GG-CEQ-1 0/000.480.9124 (u. 1)</p>

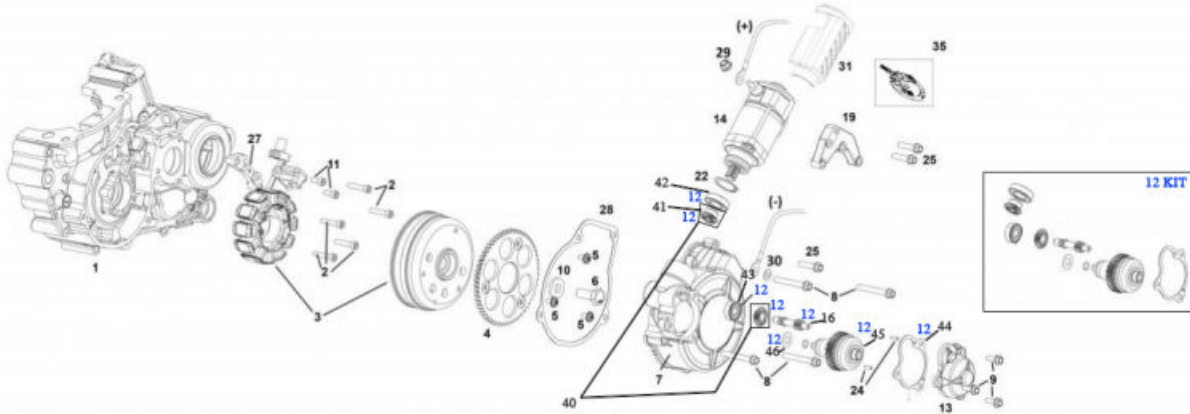
**Crankshaft**



1	CRANKSHAFT ASSEMBLY ME30000CT-CAB-1 (u. 1) - 250cc / 300cc
2	(ENDURO) PISTON PIN BEARING : ME25616127 ME25616035 (u. 1)
3	RJ-CONNECTING ROD *200,250,300* {GASGAS 96-19, RIEJU 21->} : ME25612100, ME30912100, 25018249 0/000.980.9102 (u. 1)  OBSOLETE : 0/000.980.9102 : CONECTING ROD *250cc, 300cc* {GASGAS} : ME30912100, 25018249 <b>OBSOLETE</b> ME25612100 (u. 1)  Wossner Pistons - CONNECTING ROD *200,250,300* {GASGAS 96-19, RIEJU 21->} P2021 (u. 1)
4	RJ-LEFT CRANKSHAFT SEAL : 12504002, 25004000, ME25612009 : ME250112009 0/000.890.9103 (u. 1)  OBSOLETE : 0/000.890.9103 : (ENDURO) (LEFT) CRANKSHAFT SEAL : 12504002, 25004000, ME25612009 <b>OBSOLETE</b> ME250112009 (u. 1)
5	RJ-MR (LEFT) CRANKSHAFT BEARING : ME31010GG-CLJ-1 : ME310002508 0/000.960.9115 (u. 1)  OBSOLETE : 0/000.960.9115 : CRANKSHAFT BEARING *250,300cc* {GASGAS} (NJ206ETC3) ME310002508 (u. 1)
6	CRANKSHAFT FLYWHEEL KEY : MT280234016 0/005.490.9102 (u. 1)  OBSOLETE : 0/005.490.9102 : (TRIALS) CRANKSHAFT FLYWHEEL KEY <b>OBSOLETE</b> MT280234016 (u. 1)
7	OBSOLETE : 0/005.490.9100 : (ENDURO) CRANKSHAFT KEY <b>OBSOLETE</b> ME31030GG-CAB-1 (u. 1)  RJ-MR CRANKSHAFT KEY : ME31030GG-CAB-1 0/005.490.9100 (u. 1)
8	OBSOLETE : RIGHT CRANKSHAFT BEARING {GASGAS} (NJ206RC3) <b>OBSOLETE</b> ME310012508 (u. 1)

9	OBSOLETE : 0/000.890.9102 : OBSOLETE : 0/000.890.9102 : (ENDURO) (RIGHT) CRANKSHAFT SEAL <b>OBSOLETE</b> ME250112008 (u. 1)
	RJ-RIGHT CRANKSHAFT SEAL TB2J 38-52 7 : ME250112008 0/000.890.9102 (u. 1)

**Generator**

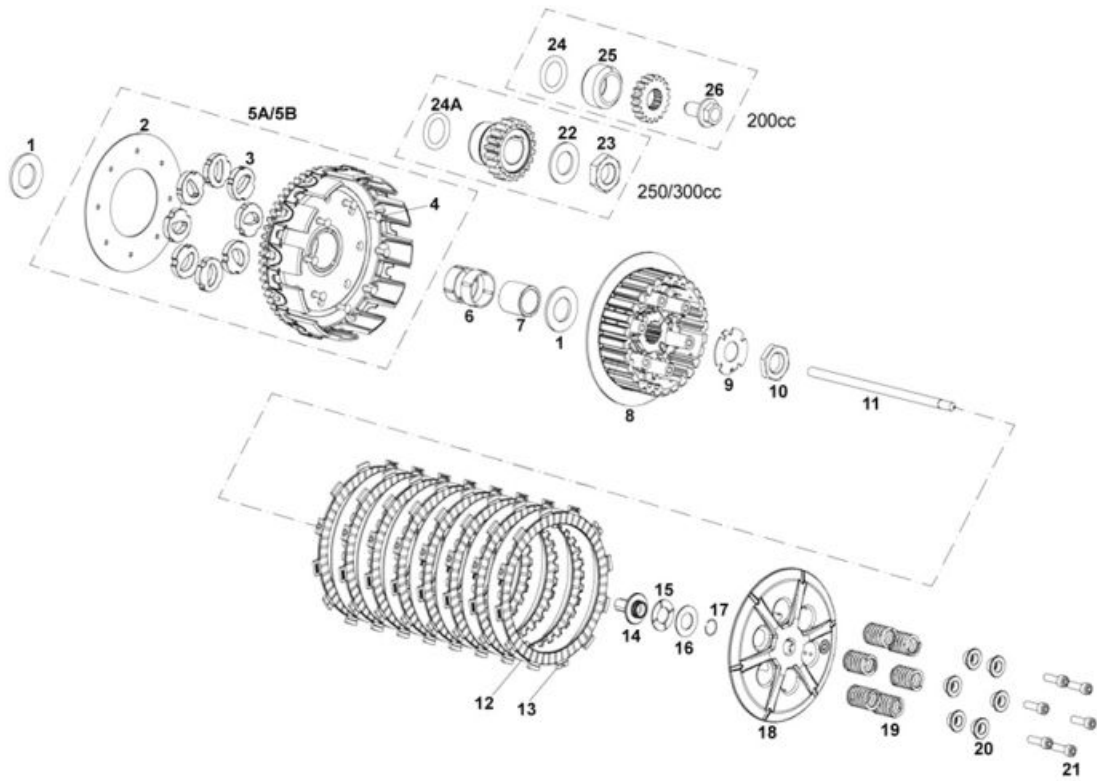


<b>1</b>	RJ-MR ELECTRIC START KIT : EE80000CT-CBR-3 0/005.480.9101 (u. 1)
<b>2</b>	OBSOLETE : 0/000.460.9146 : ALLEN BOLT 5x25 : T0205025, T0315025N <b>OBSOLETE</b> T0305025 (u. 1)  ALLEN BOLT 5x25 : T0205025, T0315025N : T0305025 0/000.460.9146 (u. 1)  OBSOLETE : 0/000.460.9146 : ALLEN BOLT 5x25 <b>OBSOLETE</b> T0315025N (u. 1)
<b>3</b>	(ENDURO) IGNITION FLYWHEEL (2014-2017) EE70000CT-CAB-1 (u. 1)
<b>4</b>	RJ-MR ELECTRIC START SPROCKET : EE80200GG-CBR-2 0/005.400.9102 (u. 1)  OBSOLETE : 0/005.400.9102 : (ENDURO) ELECTRIC START SPROCKET <b>OBSOLETE</b> EE80200GG-CBR-2 (u. 1)
<b>5</b>	TORX SCREW 5x8 : 050808BB : T0455008 0/000.460.9154 (u. 1)  OBSOLETE : 0/000.460.9154 : TORX SCREW 5x8 : 050808BB <b>OBSOLETE</b> T0455008 (u. 1)
<b>6</b>	HEAD SCREW <b>OBSOLETE</b> T0101025/2 (u. 1)  OBSOLETE : MAGNETO BOLT 10x25 : T0101025/2 T0101025 (u. 1)  OBSOLETE : MAGNETO BOLT 10x25 : T0101025/2 T0101025 (u. 1)
<b>7</b>	(ENDURO) IGNITION COVER ME60100GG-CBR-3 (u. 1)
<b>8</b>	HEAD SCREW 6x40 : MFS400116351 : T0206040 0/000.460.9125 (u. 1)  TT-HEAD SCREW 6x40 T0206040 (u. 1)
<b>9</b>	HEAD SCREW 5x15: T0205015/2, T0205010 : T0205015 0/000.460.9115 (u. 1)  OBSOLETE : 0/000.460.9115 : HEAD SCREW 5x15: T0205015/2, T0205010 <b>OBSOLETE</b> T0205015 (u. 1)

10	OBSOLETE : FLYWHEEL BOLT WASHER T4001024 (u. 1)
11	OBSOLETE : 0/000.460.9145 : ALLEN BOLT 5x10 : T0315012 <b>OBSOLETE</b> T0305010 (u. 1) 5X10MM STATOR PLATE BOLT PRO T0315010 (u. 1) ALLEN BOLT 5x10 : T0315012 : T0305010 0/000.460.9145 (u. 1)
12	RJ-STARTER COVER KIT + BENDIX IMPROVED : 0/005.400.9115 0/005.480.9103 (u. 1) (RIEJU) BENDIX GEAR EE80110CT-CBR-1 (u. 1) RJ-OBSOLETE : 0/005.480.9103 : MR COMPLETE BENDIX 0/005.400.9115 (u. 1)
13	BENDIX GEAR COVER {RIEJU} EE80130GG-CBR-2 (u. 1)
14	RJ-MR ELECTRIC E-START MOTOR (2015-2019) : EE80000GG-CBR-2 0/005.480.9100 (u. 1) OBSOLETE : 0/005.480.9100 : (ENDURO) ELECTRIC E-START MOTOR (2015-2019) <b>OBSOLETE</b> EE80000GG-CBR-2 (u. 1)
16	OBSOLETE : (ENDURO) BENDIX GEAR AXLE Z10 M0.8 : EE80120GG-CBR-4 <b>OBSOLETE</b> 0/005.400.9101 (u. 1) OBSOLETE : 0/005.400.9101 : (ENDURO) BENDIX GEAR AXLE Z10 M0.8 <b>OBSOLETE</b> EE80120GG-CBR-4 (u. 1)
19	OBSOLETE : 0/000.980.9111 : (ENDURO) STARTER ENGINE BRACKET <b>OBSOLETE</b> EE80050GG-CBR-3 (u. 1) RJ-MR STARTER ENGINE BRACKET : EE80050GG-CBR-3 0/000.980.9111 (u. 1)
22	(ENDURO) C-CLIP 28x1.2 EE80055GG-CBR-1 (u. 1)
24	HEAD SCREW 6x40 : MFS400116351 : T0206040 0/000.460.9125 (u. 1) TT-HEAD SCREW 6x40 T0206040 (u. 1)
25	OBSOLETE : 0/000.460.9121 : FLANGE BOLT 6x25 10.9 : T0206025/2 <b>OBSOLETE</b> T0206025 (u. 1) FLANGE BOLT 6x25 10.9 : T0206025/2 : T0206025 0/000.460.9121 (u. 1)
27	RJ-MR PULSER COIL ADAPTOR : EE70216GG-CAB-1 : EE70216GG-CAB-2 0/000.980.9109 (u. 1) OBSOLETE : 0/000.980.9109 : (ENDURO) PULSER COIL ADAPTOR : EE70216GG-CAB-1 <b>OBSOLETE</b> EE70216GG-CAB-2 (u. 1)
28	(ENDURO) IGNITION GASKET COVER (2018) ME94500GG-CAB-1 (u. 1)
29	FLANGE NUT 6mm : T2306000 : T2206000 0/000.340.9116 (u. 1) OBSOLETE : 0/000.340.9116 : FLANGE NUT 6mm : T2306000 <b>OBSOLETE</b> T2206000 (u. 1)
30	TT-WASHER 6x12x1.5 T4006012 (u. 1) WASHER 6x12x1.5 : P220006 : T4006012 0/000.440.9124 (u. 1)
35	(ENDURO) BRUSH START REPAIR KIT EE80010GG-CBR-1 (u. 1)

	<p>OBSOLETE : 0/005.400.9115 : (ENDURO) HELICOID GEARBOX KIT ELECTRIC START : EE80116GG-CBR-1, EE80117GG-CBR-1, EE80116GG-CBR-1 EE80116CT-CBR-1 (u. 1)</p>
40	<p>RJ-STARTER COVER KIT + BENDIX IMPROVED : 0/005.400.9115 0/005.480.9103 (u. 1)</p> <p>(ENDURO) STARTER PINION GEAR EE80116GG-CBR-1 (u. 1)</p> <p>RJ-OBSOLETE : 0/005.480.9103 : MR COMPLETE BENDIX 0/005.400.9115 (u. 1)</p>
41	<p>(ENDURO) STARTER PINION GEAR EE80116GG-CBR-1 (u. 1)</p> <p>RJ-OBSOLETE : 0/005.480.9103 : MR COMPLETE BENDIX 0/005.400.9115 (u. 1)</p> <p>RJ-STARTER COVER KIT + BENDIX IMPROVED : 0/005.400.9115 0/005.480.9103 (u. 1)</p>
42	<p>RJ-STARTER BEARING 61902-2ZC4 (C-6902-2RS) EE80070GG-CBR-1 (u. 1)</p>
43	<p>OBSOLETE : 0/000.960.9108 : (ENDURO) ENGINE BEARING <b>OBSOLETE</b> ME25616032 (u. 1)</p> <p>RJ-MR CENTRAL ENGINE SHAFT BEARING 608.Z.C3 : ME25616032 0/000.960.9108 (u. 1)</p>
44	<p>RJ-BENDIX COVER GASKET {GASGAS EC/XC} EE80135GG-CBR-1 (u. 1)</p>
45	<p>(RIEJU) BENDIX GEAR EE80110CT-CBR-1 (u. 1)</p> <p>RJ-STARTER COVER KIT + BENDIX IMPROVED : 0/005.400.9115 0/005.480.9103 (u. 1)</p> <p>RJ-OBSOLETE : 0/005.480.9103 : MR COMPLETE BENDIX 0/005.400.9115 (u. 1)</p>
46	<p>(ENDURO) WASHER : ST950705 ME25616070 (u. 1)</p>

Clutch



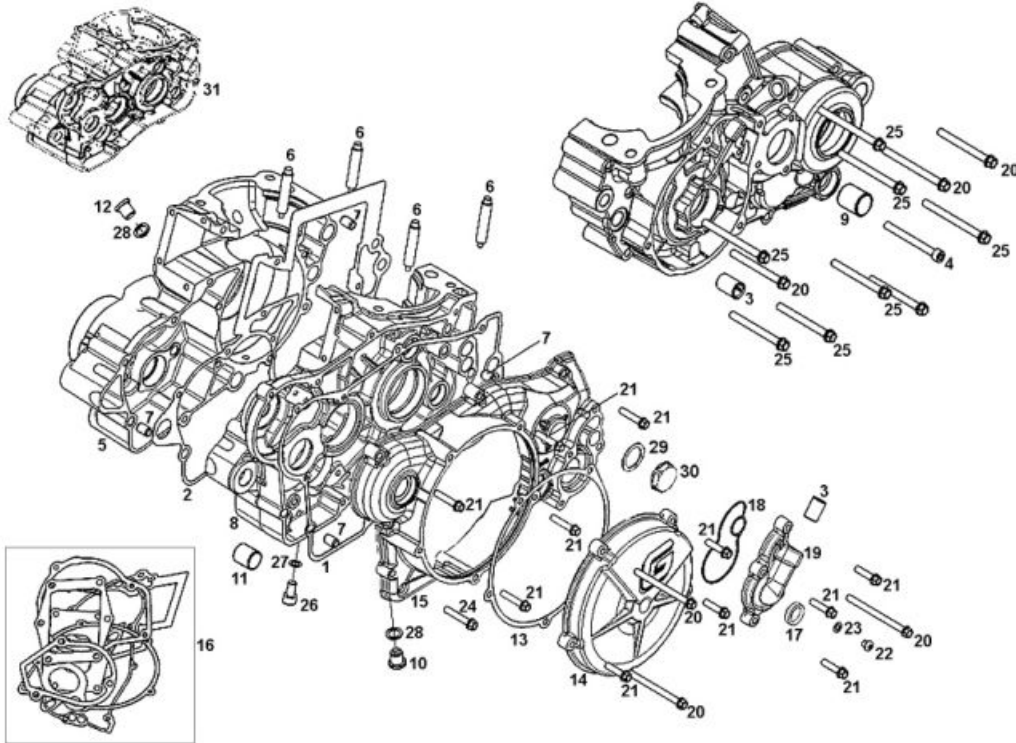
1	RJ-MR CLUTCH THRUST BELL WASHER : ME25632011 0/000.440.9106 (u. 1)
	OBSOLETE : 0/000.440.9106 : (ENDURO) CLUTCH THRUST BELL WASHER <b>OBSOLETE</b> ME25632011 (u. 1)
2	(ENDURO) CLUTCH BASKET BACK PLATE ME20932009 (u. 1)
3	CLUTCH BASKET SILENTBLOCK {GASGAS EC/XC} ME20932008 (u. 1)
4	(ENDURO) CLUTCH BASKET RIVETS ME250132010 (u. 1)
5	OBSOLETE : 0/005.400.9103 : (ENDURO) COMPLETE CLUTCH BASKET (200cc) (2004-2019) : ME200432003CT, ME20932003, <b>OBSOLETE</b> MFS250432003CT ME20932003CT (u. 1)  OBSOLETE : 0/005.400.9104 : (ENDURO) COMPLETE CLUTCH BASKET (250,300cc) : ME250032003, ME250432003, ME250432003CT, <b>OBSOLETE</b> ME25932003, ME25632003, ME25612004 ME21000CT-CAB-1 (u. 1)  RJ-MR COMPLETE CLUTCH BASKET (250,300cc) : ME250032003, ME250432003, ME250432003CT, ME25932003, ME25632003, ME25612004 : ME21000CT-CAB-1 0/005.400.9104 (u. 1)  RJ-MR COMPLETE CLUTCH BASKET (200cc) (2004-2019) : ME200432003CT, ME20932003, MFS250432003CT : ME20932003CT 0/005.400.9103 (u. 1)
6	RJ-MR CLUTCH PRIMARY BEARING : ME25632029 0/000.980.9113 (u. 1)
	OBSOLETE : 0/000.980.9113 : (ENDURO) CLUTCH PRIMARY BEARING <b>OBSOLETE</b> ME25632029 (u. 1)
7	OBSOLETE : 0/000.480.9121 : (ENDURO) CLUTCH PRIMARY BUSHING <b>OBSOLETE</b> ME25632012 (u. 1)
	RJ-MR CLUTCH PRIMARY BUSHING : ME25632012 0/000.480.9121 (u. 1)

8	OBSOLETE : 0/005.350.9100 : (ENDURO) CLUTCH BASKET ASSEMBLY <b>OBSOLETE</b> ME22005CT-CLJ-1 (u. 1)
	RJ-MR CLUTCH BASKET ASSEMBLY , ME25632005 0/005.350.9100 (u. 1)
9	CLUTCH LOCK WASHER ME25632022 (u. 1)
10	OBSOLETE : 0/000.340.9107 : (ENDURO) CLUTCH BOSS NUT <b>OBSOLETE</b> ME25632028 (u. 1)
	RJ-MR CLUTCH BOSS NUT : ME25632028 0/000.340.9107 (u. 1)
11	RJ-MR CLUTCH PUSH ROD : ME25632040 0/000.190.9105 (u. 1)
	OBSOLETE : 0/000.190.9105 : (ENDURO) CLUTCH PUSH ROD <b>OBSOLETE</b> ME25632040 (u. 1)
12	IRON CLUTCH DISK {GASGAS EC/XC} ME25632037 (u. 1)
13	(ENDURO) FIBER COVERED CLUTCH DISK : 00061095-0 ME25632007 (u. 1)
14	RJ-MR CLUTCH PRESSURE PLATE BUSHING : ME23100GG-CAB-1 0/000.480.9120 (u. 1)
	OBSOLETE : 0/000.480.9120 : (ENDURO) CLUTCH PRESSURE PLATE BUSHING <b>OBSOLETE</b> ME23100GG-CAB-1 (u. 1)
15	RJ-MR CLUTCH NEEDLE BEARING (2008-2019) : ME25632046 0/000.960.9109 (u. 1)
	OBSOLETE : 0/000.960.9109 : (ENDURO) CLUTCH NEEDLE BEARING (2008-2019) <b>OBSOLETE</b> ME25632046 (u. 1)
16	RJ-MR CLUTCH NEEDLE BEARING WASHER : ME25632016 0/000.440.9107 (u. 1)
	OBSOLETE : 0/000.440.9107 : (ENDURO) CLUTCH NEEDLE BEARING WASHER <b>OBSOLETE</b> ME25632016 (u. 1)
17	RJ-MR CLUTCH NEEDLE LOCK RING : ME23150GG-CAB-1 0/000.300.9102 (u. 1)
	OBSOLETE : 0/000.300.9102 : (ENDURO) CLUTCH NEEDLE LOCK RING <b>OBSOLETE</b> ME23150GG-CAB-1 (u. 1)
18	CLUTCH PRESSURE PLATE {GASGAS} : ME25632006 ME20000003011 (u. 1)
19	CLUTCH- SPRING ME25632015 (u. 1)
20	ALUMINIUM CLUTCH SPRING BUSHING : ME25632020 ME250032020 (u. 1)
21	TT-BOLT 6x20 T0206020 (u. 1)
	ALLEN BOLT 6x20 : T0316018/2, T0316018 T0306020 (u. 1)
	TT-BOLT 6x20 T0206020 (u. 1)
	HEX BOLT 6x20 10.9 : T0206020/2, T0206020/3 : T0206020 0/000.460.9120 (u. 1)
	HEX BOLT 6x20 10.9 : T0206020/2, T0206020/3 : T0206020 0/000.460.9120 (u. 1)
22	RJ-MR WASHER D20 (250,300cc) (2001-2019) : ME25632019 0/000.440.9108 (u. 1)
	OBSOLETE : 0/000.440.9108 : (ENDURO) WASHER D20 (250,300cc) (2001-2019) <b>OBSOLETE</b> ME25632019 (u. 1)



23	OBSOLETE : 0/000.340.9106 : (ENDURO) CRANK SHAFT PINION LOCKING NUT (250,300cc) <b>OBSOLETE</b> ME250032018 (u. 1)
	RJ-MR CRANK SHAFT PINION LOCKING NUT (250,300cc) : ME250032018 0/000.340.9106 (u. 1)
24	OBSOLETE : 0/000.490.9106 : (ENDURO) PRIMARY CLUTCH GEAR O-RING <b>OBSOLETE</b> ME21180GG-CAB-1 (u. 1)
	OBSOLETE : 0/000.490.9106 0/000.490.9121 : O-RING DAMPER <b>OBSOLETE</b> ST950207 (u. 1)
25	RJ-MR PRIMARY CLUTCH GEAR O-RING : ME21180GG-CAB-1 0/000.490.9106 (u. 1)
	OBSOLETE : 0/000.480.9127 : CRANK SHAFT BUSHING EC200 <b>OBSOLETE</b> ME200512014 (u. 1)
26	RJ-CRANK SHAFT BUSHING EC200 : ME200512014 0/000.480.9127 (u. 1)
	SPECIAL SCREW 12x25x125 : T02012025 0/000.460.9114 (u. 1)
	OBSOLETE : 0/000.460.9114 : SPECIAL SCREW 12x25x125 <b>OBSOLETE</b> T02012025 (u. 1)

Engine crankcase

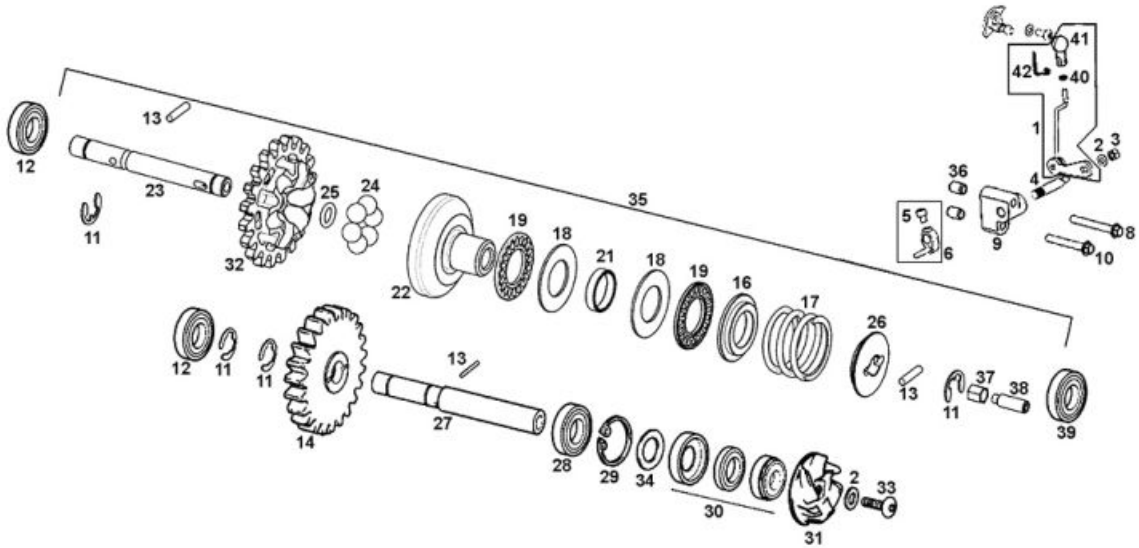


1	RJ-MR CLUTCH COVER GASKET : ME25644002 0/000.490.9108 (u. 1)
	OBSOLETE : 0/000.490.9108 : (ENDURO) CLUTCH COVER GASKET <b>OBSOLETE</b> ME25644002 (u. 1)
2	CENTRAL CRANKCASE GASKET ME94000GG-CAB-1 (u. 1)
3	RJ-MR WATER INLET FITTING : ME57015GG-CAB-1 0/000.480.9123 (u. 1)
	OBSOLETE : 0/000.480.9123 : (ENDURO) WATER INLET FITTING <b>OBSOLETE</b> ME57015GG-CAB-1 (u. 1)
4	ALLEN BOLT 6x60 : T0306060 0/000.460.9150 (u. 1)
	OBSOLETE : 0/000.460.9150 : ALLEN BOLT 6x60 <b>OBSOLETE</b> T0306060 (u. 1)
6	RJ-MR CYLINDER PIN : ME25616023 0/000.280.9100 (u. 1)
	OBSOLETE : 0/000.280.9100 : (ENDURO) CYLINDER PIN <b>OBSOLETE</b> ME25616023 (u. 1)
7	RJ-ENGINE CASE LOCATER BUSHING : ME25610018 : M01017000 0/000.480.9119 (u. 1)
	OBSOLETE : 0/000.480.9119 : ENGINE CASE LOCATER BUSHING : ME25610018 <b>OBSOLETE</b> M01017000 (u. 1)
9	RJ-BUSHING 12x15 (2000-2019) : ST950210 : C200101 0/000.480.9117 (u. 1)
	OBSOLETE : 0/000.480.9117 : BUSHING 12x15 (2000-2019) : ST950210 <b>OBSOLETE</b> C200101 (u. 1)
10	OBSOLETE : 0/000.410.9104 : OIL DRAIN PLUG (MAGNETIC) : M01016005 <b>OBSOLETE</b> ME25610017 (u. 1)
	RJ-MR OIL PLUG (MAGNETIC) : ME25610017 : ME10910GG-CSK-1 0/000.410.9104 (u. 1)

11	RJ-MR BRAKE PEDAL BUSHING 12x12 : C200100 : BE25610009 0/000.480.9105 (u. 1)
	OBSOLETE : 0/000.480.9105 : (ENDURO) BRAKE PEDAL BUSHING 12x12 : C200100 <b>OBSOLETE</b> BE25610009 (u. 1)
12	OBSOLETE : 0/000.460.0021 : OIL FILL/DRAIN BOLT : ME25610016 <b>OBSOLETE</b> M01016002 (u. 1)
	RJ-OIL FILL/DRAIN BOLT : ME25610016, M01016002 0/000.460.0021 (u. 1)
13	OBSOLETE : 0/000.490.9104 : (ENDURO) DISCS COVER GASKET (2014-2019) <b>OBSOLETE</b> ME22015GG-CAB-1 (u. 1)
	RJ-MR DISCS COVER GASKET (2014-2019) : ME22015GG-CAB-1 0/000.490.9104 (u. 1)
14	OBSOLETE : 0/000.350.9105 : (GG) DISC CLUTCH COVER (BLACK) ME250732002 (u. 1)
	OBSOLETE : 0/000.350.9105 : (GG) DISC CLUTCH COVER <b>OBSOLETE</b> ME22010GG-CLJ-1 (u. 1)
	RJ-MR DISC CLUTCH COVER (GRAY) : ME22010GG-CDH-1, ME22010GG-CAB-1, ME22010GG-CLJ-1, ME15000003011, ME250332002, MFS450732002, ME25632002, ME250732002, ME250332002 0/000.350.9105 (u. 1)
15	COVER CLUTCH EC 2015 : ME65000CT-CEQ-1 ME65000CT-CEQ-2 (u. 1)
16	GASKET KIT ME94610CT-CAB-1 (u. 1)
17	OBSOLETE : 0/000.410.9106 : SIGHT GLASS PRO <b>OBSOLETE</b> MFS400110015 (u. 1)
	SIGHT GLASS PRO : MFS400110015 0/000.410.9106 (u. 1)
18	RJ-MR WATER PUMP COVER GASKET : ME57010GG-CAB-1 0/000.490.9115 (u. 1)
	OBSOLETE : 0/000.490.9115 : (ENDURO) WATER PUMP COVER GASKET <b>OBSOLETE</b> ME57010GG-CAB-1 (u. 1)
19	OBSOLETE : 0/000.220.9124 : (ENDURO) WATER PUMP COVER (SILVER) : ME57000GG-CDH-1, ME57000GG-CLJ-1 0/000.350.9106 (u. 1)
	OBSOLETE : ME57000GG-CLJ-1 : (ENDURO) WATER PUMP COVER (BLACK) ME57000GG-CAB-1 (u. 1)
	OBSOLETE : 0/000.220.9124 : (ENDURO) WATER PUMP COVER (SILVER) : ME57000GG-CDH-1, ME57000GG-CLJ-1 0/000.350.9106 (u. 1)
	OBSOLETE : 0/000.220.9124 : (ENDURO) WATER PUMP COVER (SILVER) : ME57000GG-CDH-1, ME57000GG-CLJ-1 <b>OBSOLETE</b> ME57000GG-CLJ-1 (u. 1)
	OBSOLETE : 0/000.220.9124 : (ENDURO) WATER PUMP COVER (SILVER) : ME57000GG-CDH-1, ME57000GG-CLJ-1 <b>OBSOLETE</b> ME57000GG-CLJ-1 (u. 1)
20	RJ-HEAD SCREW 6x75 : T0206075 0/000.460.9129 (u. 1)
	OBSOLETE : 0/000.460.9129 : HEAD SCREW 6x75 <b>OBSOLETE</b> T0206075 (u. 1)
21	OBSOLETE : 0/000.460.9121 : FLANGE BOLT 6x25 10.9 : T0206025/2 <b>OBSOLETE</b> T0206025 (u. 1)
	FLANGE BOLT 6x25 10.9 : T0206025/2 : T0206025 0/000.460.9121 (u. 1)
22	HEX BOLT 6x8 : BC250414103, T0506008N T0506008 (u. 1)
23	FIBER WASHER 6x10x1.5 : T4006010 0/000.440.9123 (u. 1)
	OBSOLETE : 0/000.440.9123 : FIBER WASHER 6x10x1.5 <b>OBSOLETE</b> T4006010 (u. 1)

24	OBSOLETE : 0/000.460.9126 : HEAD SCREW 6x50 <b>OBSOLETE</b> T0206050 (u. 1)
	HEAD SCREW 6x50 : T0206050 0/000.460.9126 (u. 1)
25	OBSOLETE : 0/000.460.9128 : HEAD SCREW 6x60 <b>OBSOLETE</b> T0206060 (u. 1)
	HEAD SCREW 6x60 : T0206060 0/000.460.9128 (u. 1)
26	OBSOLETE : ALLEN BOLT 8x14 <b>OBSOLETE</b> T0308014 (u. 1)
27	OBSOLETE : 0/000.440.9128 : COPPER WASHER 8x12x1 <b>OBSOLETE</b> T4008012 (u. 1)
	COPPER WASHER 8x12x1 : T4008012 0/000.440.9128 (u. 1)
28	RJ-SPARK PLUG WASHER (COPPER) : MT280410030 0/000.440.9114 (u. 1)
	OBSOLETE : 0/000.440.9114 : (TRIALS) SPARK PLUG WASHER (COPPER) <b>OBSOLETE</b> MT280410030 (u. 1)
29	OBSOLETE : 0/000.490.9116 : (ENDURO) O-RING 20x1.5 NBR 70 <b>OBSOLETE</b> ME65110GG-CEQ-1 (u. 1)
	RJ-MR O-RING 20x1.5 NBR 70 : ME65110GG-CEQ-1 0/000.490.9116 (u. 1)
30	RJ-MR CENTRIFUGAL ADJUSTMENT CAP : ME65100GG-CEQ-1 0/000.410.9105 (u. 1)
	OBSOLETE : 0/000.410.9105 : (ENDURO) CENTRIFUGAL ADJUSTMENT CAP <b>OBSOLETE</b> ME65100GG-CEQ-1 (u. 1)
31	OBSOLETE : CRANKCASE KIT EC 200 2014 : ME10000GG-CBT-1, ME11000GG-CBT-1 <b>OBSOLETE</b> ME10000CT-CBT-1 (u. 1) - 200cc
	(ENDURO) CRANKCASE SET (250cc, 300cc) : ME10000CT-CBR-1, ME10000GG-CAB-1, ME11000GG-CAB-1, ME11000GG-CBR-1 ME10000CT-CAB-1 (u. 1) - 250cc / 300cc

**Water pump**

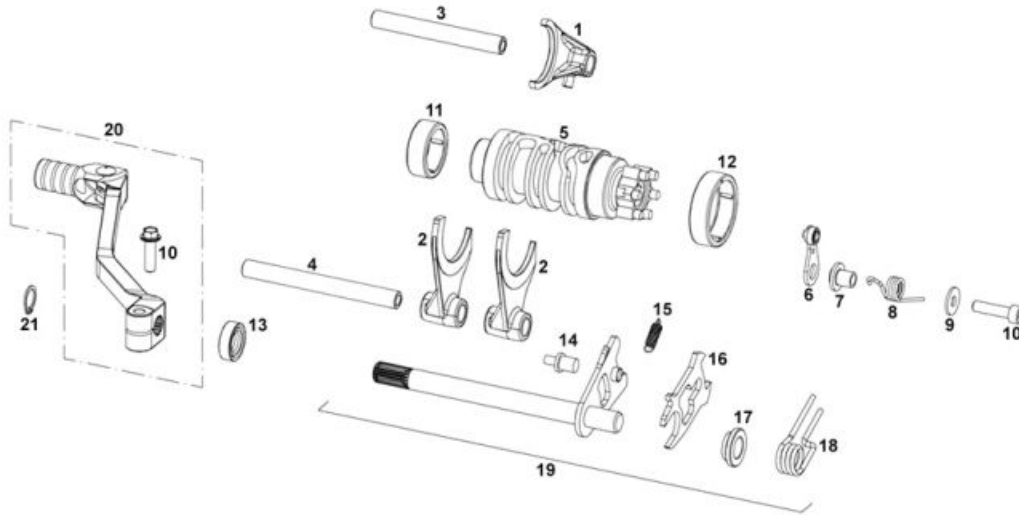


1	RJ-MR EXHAUST PUSHER VALVE SET (2015-2019) : ME72324GG-CEQ-1 : ME72325CT-CEQ-1 0/000.640.9104 (u. 1)
	OBSOLETE : 0/000.640.9104 : (ENDURO) EXHAUST PUSHER VALVE SET (2015-2019) : ME72324GG-CEQ-1 <b>OBSOLETE</b> ME72325CT-CEQ-1 (u. 1)
2	WASHER 5x12x1.5 : T4005012 0/000.440.9121 (u. 1)
	TT-WASHER 5x12x1.5 T4005012 (u. 1)
3	NYLOC NUT 5mm : 25049629, 12549633 : T2105000 0/000.340.9112 (u. 1)
	TT-SELFLOCKING NUT M5 T2105000 (u. 1)
4	RJ-MR CENTRIFUGAL LEVER AXLE LEVER : ME59035GG-CEQ-1 0/000.190.9108 (u. 1)
	OBSOLETE : 0/000.190.9108 : (ENDURO) CENTRIFUGAL LEVER AXLE LEVER <b>OBSOLETE</b> ME59035GG-CEQ-1 (u. 1)
5	OBSOLETE : ALLEN BOLT 5x6 <b>OBSOLETE</b> T0305006 (u. 1)
6	RJ-MR CENTRIFUGAL LEVER SET : ME59045CT-CEQ-1 0/005.490.9101 (u. 1)
	OBSOLETE : 0/005.490.9101 : (ENDURO) CENTRIFUGAL LEVER SET <b>OBSOLETE</b> ME59045CT-CEQ-1 (u. 1)
8	OBSOLETE : 0/000.460.9128 : HEAD SCREW 6x60 <b>OBSOLETE</b> T0206060 (u. 1)
	HEAD SCREW 6x60 : T0206060 0/000.460.9128 (u. 1)
9	RJ-MR POWER VALVE AXLE BRACKET : ME59040GG-CEQ-1 0/000.980.9115 (u. 1)
	OBSOLETE : 0/000.980.9115 : (ENDURO) POWER VALVE AXLE BRACKET <b>OBSOLETE</b> ME59040GG-CEQ-1 (u. 1)

10	TT-HEAD SCREW 6x40 T0206040 (u. 1)
	HEAD SCREW 6x40 : MFS400116351 : T0206040 0/000.460.9125 (u. 1)
11	OBSOLETE : 0/000.300.9103 : SEEGER DIN6799E7 <b>OBSOLETE</b> ME25616024 (u. 1)
	SEEGER DIN6799E7 : ME25616024 0/000.300.9103 (u. 1)
12	OBSOLETE : 0/000.960.9108 : (ENDURO) ENGINE BEARING <b>OBSOLETE</b> ME25616032 (u. 1)
	RJ-MR CENTRAL ENGINE SHAFT BEARING 608.Z.C3 : ME25616032 0/000.960.9108 (u. 1)
13	OBSOLETE : 0/000.280.9101 : (ENDURO) IMPELLER WATER PUMP PIN 3x14 : MT27710036 <b>OBSOLETE</b> ME25616028 (u. 1)
	RJ-MR IMPELLER WATER PUMP PIN 3x14 : MT27710036 : ME25616028 0/000.280.9101 (u. 1)
14	RJ-MR WATER PUMP DRIVE GEAR : ME25610005 0/005.400.9111 (u. 1)
	OBSOLETE : 0/005.400.9111 : (ENDURO) WATER PUMP DRIVE GEAR <b>OBSOLETE</b> ME25610005 (u. 1)
16	(ENDURO) CENTRIFUGAL SPRING RETAINER (300cc, 250cc) ME59026GG-CEQ-1 (u. 1) - 250cc / 300cc
	(ENDURO) CENTRIFUGAL SPRING RETAINER (200cc) ME59026GG-CDQ-1 (u. 1) - 200cc
17	(ENDURO) VALVE SPRING : ME25716026 ME25916026 (u. 1) - 250cc / 300cc
18	RJ-MR CLUTCH NEEDLE BEARING WASHER : ME25632016 0/000.440.9107 (u. 1)
	OBSOLETE : 0/000.440.9107 : (ENDURO) CLUTCH NEEDLE BEARING WASHER <b>OBSOLETE</b> ME25632016 (u. 1)
19	RJ-MR CLUTCH NEEDLE BEARING (2008-2019) : ME25632046 0/000.960.9109 (u. 1)
	OBSOLETE : 0/000.960.9109 : (ENDURO) CLUTCH NEEDLE BEARING (2008-2019) <b>OBSOLETE</b> ME25632046 (u. 1)
21	OBSOLETE : 0/000.440.9107 : (ENDURO) CLUTCH NEEDLE BEARING WASHER <b>OBSOLETE</b> ME25632016 (u. 1)
	RJ-MR CLUTCH NEEDLE BEARING WASHER : ME25632016 0/000.440.9107 (u. 1)
22	(ENDURO) OUTER CENTRIFUGAL CLUTCH ME59030GG-CEQ-1 (u. 1)
23	(ENDURO) CENTRIFUGAL AXLE ME59015GG-CEQ-1 (u. 1)
24	(ENDURO) CLUTCH BALL BEARING 8mm ME25616033 (u. 1)
25	(ENDURO) O-RING 6x12 ME25616045 (u. 1)
26	(ENDURO) SPRING SUPPORT WRENCH (300cc, 250cc) ME59025GG-CEQ-1 (u. 1) - 250cc / 300cc
	(ENDURO) SPRING SUPPORT WRENCH (200cc) ME59025GG-CDQ-1 (u. 1) - 200cc
27	RJ-MR WATER PUMP AXLE : ME25610006 0/000.190.9104 (u. 1)
	OBSOLETE : 0/000.190.9104 : (ENDURO) WATER PUMP AXLE <b>OBSOLETE</b> ME25610006 (u. 1)

28	RJ-MR WATER PUMP BEARING (SKF 6000-Z) : M03313001 : ME25610010 0/000.960.9107 (u. 1)
	OBSOLETE : 0/000.960.9107 : (ENDURO) WATER PUMP BEARING (SKF 6000-Z) : M03313001 <b>OBSOLETE</b> ME25610010 (u. 1)
29	OBSOLETE : 0/000.300.9106 : (ENDURO) WATER PUMP C-CLIP 26 : M03314012 <b>OBSOLETE</b> ME25636065 (u. 1)
	RJ-MR WATER PUMP C-CLIP 26 : M03314012 : ME25636065 0/000.300.9106 (u. 1)
30	OBSOLETE : 0/000.890.9104 : (ENDURO) WATER PUMP SEAL KIT <b>OBSOLETE</b> ME25610011 (u. 1)
	RJ-MR WATER PUMP SEAL KIT : ME25610011 0/000.890.9104 (u. 1)
31	OBSOLETE : 0/005.220.9100 : (ENDURO) WATER PUMP IMPELLER : ME25610007 <b>OBSOLETE</b> ME56000GG-CAB-1 (u. 1)
	RJ-MR WATER PUMP IMPELLER : ME25610007 : ME56000GG-CAB-1 0/005.220.9100 (u. 1)
32	(ENDURO) CLUTCH GEAR ME59050GG-CEQ-1 (u. 1)
33	OBSOLETE : BUTTONHEAD ALLEN BOLT 6x16 T0506016 (u. 1)
34	OBSOLETE : 0/000.440.9103 : SECONDARY WASHER 26x17 <b>OBSOLETE</b> M03625000 (u. 1)
	SECONDARY WASHER 26x17 : M03625000 0/000.440.9103 (u. 1)
35	OBSOLETE : 0/000.640.9101 : (ENDURO) COMPLETE CENTRIFUGAL (300cc, 250cc) <b>OBSOLETE</b> ME59000CT-CEQ-1 (u. 1) - 250cc / 300cc
	(ENDURO) COMPLETE CENTRIFUGAL (200cc) ME59000CT-CDQ-1 (u. 1) - 200cc
	RJ-MR COMPLETE CENTRIFUGAL (300cc, 250cc) : ME59000CT-CEQ-1 0/000.640.9101 (u. 1)
36	OBSOLETE : 0/000.480.9119 : ENGINE CASE LOCATER BUSHING : ME25610018 <b>OBSOLETE</b> M01017000 (u. 1)
	RJ-ENGINE CASE LOCATER BUSHING : ME25610018 : M01017000 0/000.480.9119 (u. 1)
37	OBSOLETE : HEX NUT 6 M5 T2706050 (u. 1)
38	OBSOLETE : SPECIAL SCREW M5x16 T0325016 (u. 1)
39	OBSOLETE : 0/000.960.9105 : (ENDURO) BEARING 619/8-ZZ <b>OBSOLETE</b> ME21500GG-CEQ-1 (u. 1)
	RJ-MR BEARING 619/8-ZZ : ME21500GG-CEQ-1 0/000.960.9105 (u. 1)
41	OBSOLETE : 0/000.640.9104 : (ENDURO) EXHAUST PUSHER VALVE SET (2015-2019) : ME72324GG-CEQ-1 <b>OBSOLETE</b> ME72325CT-CEQ-1 (u. 1)
	RJ-MR EXHAUST PUSHER VALVE SET (2015-2019) : ME72324GG-CEQ-1 : ME72325CT-CEQ-1 0/000.640.9104 (u. 1)
42	RJ-MR SECURITY CLIP : ME72326GG-CEQ-1 0/000.840.9103 (u. 1)
	OBSOLETE : 0/000.840.9103 : (ENDURO) SECURITY CLIP <b>OBSOLETE</b> ME72326GG-CEQ-1 (u. 1)

Axis of change

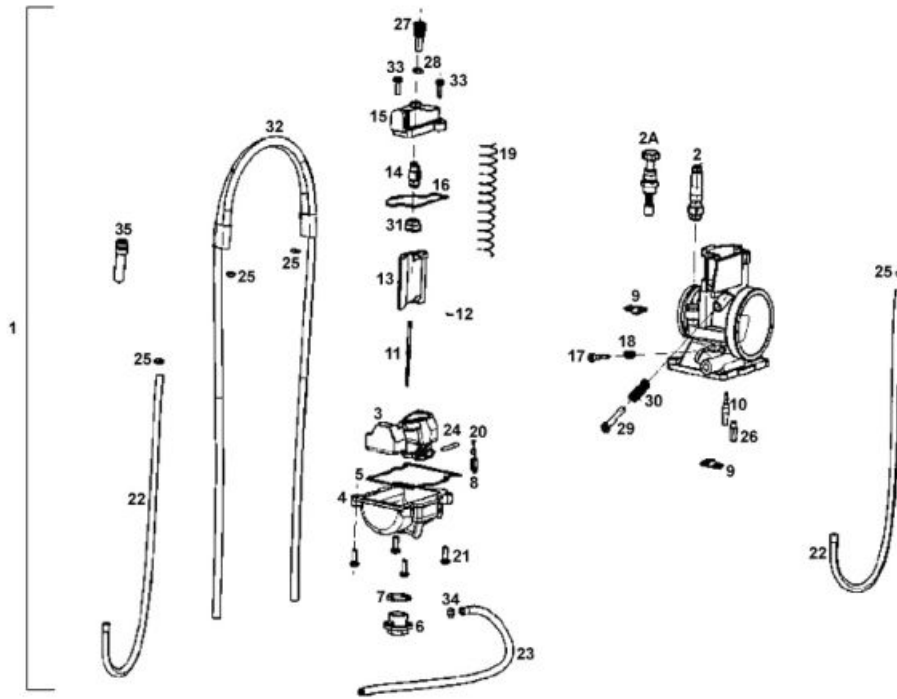


1	<p>OBSOLETE : SHIFT FORK 56 : ME25636009 0/005.330.9101 (u. 1)</p> <p>OBSOLETE : 0/005.330.9101 : SHIFT FORK 56 <b>OBSOLETE</b> ME25636009 (u. 1)</p>
2	<p>OBSOLETE : 0/005.330.9100 : (ENDURO) SHIFT FORK 1-2-3-4 (2001-2017) <b>OBSOLETE</b> ME25636008 (u. 1)</p> <p>OBSOLETE : (ENDURO) SHIFT FORK 1-2-3-4 (2001-2017) : ME25636008, ME47000CT-CLJ-1 <b>OBSOLETE</b> 0/005.330.9100 (u. 1)</p>
3	<p>RJ-MR SHORT FORK SHAFT : ME25636045 0/000.190.9107 (u. 1)</p> <p>OBSOLETE : 0/000.190.9107 : (ENDURO) SHORT FORK SHAFT <b>OBSOLETE</b> ME25636045 (u. 1)</p>
4	<p>OBSOLETE : 0/000.190.9106 : (ENDURO) LONG FORK SHAFT <b>OBSOLETE</b> ME25636044 (u. 1)</p> <p>RJ-MR LONG FORK SHAFT : ME25636044 0/000.190.9106 (u. 1)</p>
5	<p>RJ-MR SHIFT CAM : ME250036031, ME25836031 : ME250536031 0/005.090.9100 (u. 1)</p> <p>OBSOLETE : 0/005.090.9100 : (ENDURO) SHIFT CAM : ME250036031, ME25836031 <b>OBSOLETE</b> ME250536031 (u. 1)</p>
6	<p>RJ-SHIFT STOP CAM {GASGAS/RIEJU} : ME250036033 : ME250036033CT 0/005.560.9100 (u. 1)</p> <p>OBSOLETE : 0/005.560.9100 : (ENDURO) SHIFT STOP CAM : ME250036033 <b>OBSOLETE</b> ME250036033CT (u. 1)</p>
7	<p>RJ-MR GEAR BUSHING : ME25636047 0/000.480.9122 (u. 1)</p> <p>OBSOLETE : 0/000.480.9122 : (ENDURO) GEAR BUSHING <b>OBSOLETE</b> ME25636047 (u. 1)</p>



8	OBSOLETE : 0/000.470.9108 : (ENDURO) GEAR STOP SPRING <b>OBSOLETE</b> ME250036034 (u. 1)
	RJ-MR GEAR STOP SPRING : ME250036034 0/000.470.9108 (u. 1)
9	WASHER 6x16x1.5 : T4006016 0/000.440.9125 (u. 1)
	OBSOLETE : 0/000.440.9125 : WASHER 6x16x1.5 <b>OBSOLETE</b> T4006016 (u. 1)
10	FLANGE BOLT 6x25 10.9 : T0206025/2 : T0206025 0/000.460.9121 (u. 1)
	OBSOLETE : 0/000.460.9121 : FLANGE BOLT 6x25 10.9 : T0206025/2 <b>OBSOLETE</b> T0206025 (u. 1)
11	OBSOLETE : 0/000.960.9111 : (ENDURO) SHIFT CAM BEARING : M03645000 <b>OBSOLETE</b> ME25636055 (u. 1)
	RJ-MR SHIFT CAM BEARING : M03645000 : ME25636055 0/000.960.9111 (u. 1)
12	OBSOLETE : 0/000.960.9110 : (ENDURO) SHIFT CAM BEARING : M03650000 <b>OBSOLETE</b> ME25636054 (u. 1)
	RJ-MR SHIFT CAM BEARING : M03650000 : ME25636054 0/000.960.9110 (u. 1)
13	RJ-MR SEAL 12x22x7 : M03821000 : ME25636048 0/000.890.9107 (u. 1)
	OBSOLETE : 0/000.890.9107 : (ENDURO) SEAL 12x22x7 : M03821000 <b>OBSOLETE</b> ME25636048 (u. 1)
14	RJ-MR SELECTOR SPRING SCREW : ME25636042 0/000.460.9110 (u. 1)
	OBSOLETE : 0/000.460.9110 : (ENDURO) SELECTOR SPRING SCREW <b>OBSOLETE</b> ME25636042 (u. 1)
15	(ENDURO) SHIFT RATCHET SPRING ME25636039 (u. 1)
16	(ENDURO) SHIFT RATCHET ME250236036 (u. 1)
17	(ENDURO) SHIFT CENTER BUSHING (250cc) (2004-2019) : ME25636041 ME250236041 (u. 1)
18	RJ-SHIFT SHAFT SELECTOR SPRING ME25636035 (u. 1)
19	RJ-MR SHIFT SHAFT ASSEMBLY : ME250236038, ME25636038 : ME250236038CT 0/005.010.9100 (u. 1)
	OBSOLETE : 0/005.010.9100 : (ENDURO) SHIFT SHAFT ASSEMBLY : ME250236038, ME25636038 <b>OBSOLETE</b> ME250236038CT (u. 1)
20	OBSOLETE : 0/005.430.9104 : RJ-MR SHIFTER KIT : ME49000CT-CDH-1 0/005.430.9100 (u. 1)
	OBSOLETE : 0/005.430.9100 : (ENDURO) SHIFTER KIT <b>OBSOLETE</b> ME49000CT-CDH-1 (u. 1)
21	RJ-MR SNAP RING 12x1 : ME25636043 0/000.300.9104 (u. 1)
	OBSOLETE : 0/000.300.9104 : (ENDURO) SNAP RING 12x1 <b>OBSOLETE</b> ME25636043 (u. 1)

**Carburetor**



1	KEIHIN CARBURETOR PWKS 38 NO TPS EC-2012 : BE780003012 0/005.190.9104 (u. 1)
2	OBSOLETE : 0/005.190.9104 : KEIHIN CARBURETOR PWKS 38 NO TPS EC-2012 <b>OBSOLETE</b> BE780003012 (u. 1)
2	(ENDURO) CARBURATOR COLD STARTER KNOB SET ME25690011 (u. 1)
2A	RJ-CARBURATOR CHOKE CABLE ADAPTER : BE783002508 ME25000173012 (u. 1)
3	(ENDURO) CARBURATOR FLOAT ME25000183012 (u. 1)
4	(ENDURO) CARBURATOR FLOAT BOWL ME25000193012 (u. 1)
5	(ENDURO) CARBURATOR FLOAT BOWL DRAIN SEAL ME25000203012 (u. 1)
6	(ENDURO) CARBURATOR FLOAT BOWL DRAIN CAP ME25690015 (u. 1)
7	OBSOLETE : (ENDURO) CARBURATOR DRAIN CAP O-RING ME25690016 (u. 1)
8	FLOAT NEEDLE ME25690017 (u. 1)
9	OBSOLETE : CARBURATOR BREATHER TUBE HOLDER {RIEJU} <b>OBSOLETE</b> ME25000223012 (u. 1)

	OBSOLETE : F/000.350.9104 : (ENDURO) CARBURATOR SLOW JET 45 <b>OBSOLETE</b> ME25690045 (u. 1)
	OBSOLETE : 0/005.991.9100 : SLOW JET EC300 <b>OBSOLETE</b> ME25690035 (u. 1)
10	RJ-CARBURATOR SLOW JET 42 : ME25690042 0/005.991.9105 (u. 1)
	OBSOLETE : 0/005.991.9105 : RJ-CARBURATOR SLOW JET 42 ME25690042 (u. 1)
	SLOW JET EC300 : ME25690035 0/005.991.9100 (u. 1)
	OBSOLETE : 0/005.150.9105 : NOZZLE NOZI 125CC N427-0ZI00 <b>OBSOLETE</b> ME120690434 (u. 1) - 200cc
	(ENDURO) CARBURATOR KEIHIN NEEDLE (N1EE) ME250290427 (u. 1) - 250cc / 300cc
	OBSOLETE : 0/005.150.9100 : (ENDURO) CARBURATOR KEIHIN NEEDLE (N1EF) <b>OBSOLETE</b> ME250190429 (u. 1) - 250cc / 300cc
11	(ENDURO) NEEDLE NOZH N427-OZH00 ME120690435 (u. 1) - 200cc
	JET NEEDLE : ME250390051 ME25690428 (u. 1)
	(ENDURO) CARBURATOR KEIHIN NEEDLE (N1EG) ME250290428 (u. 1) - 250cc / 300cc
	RJ-MR CARBURATOR KEIHIN NEEDLE (N1EF) : ME250190429 0/005.150.9100 (u. 1)
12	(ENDURO) CARBURATOR NEEDLE CLIP ME25690021 (u. 1)
	OBSOLETE : 0/005.150.9103 : (ENDURO) CARBURATOR SLIDE <b>OBSOLETE</b> ME25000233012 (u. 1) - 250cc / 300cc
13	RJ-MR CARBURATOR SLIDE : ME25000233012 0/005.150.9103 (u. 1)
	OBSOLETE : 0/005.150.9105 : KEIHIN N6 CARBURETTOR SLIDE <b>OBSOLETE</b> ME120490022 (u. 1) - 200cc
14	(ENDURO) CARBURATOR SLIDE CAP ME25000243012 (u. 1)
15	(ENDURO) CARBURATOR SLIDE CAP ME25000243012 (u. 1)
16	(ENDURO) CARBURATOR SLIDE CAP O-RING ME25000253012 (u. 1)
17	(ENDURO) CARBURATOR AIR ADJUSTING SCREW ME25000263012 (u. 1)
18	(ENDURO) AIR REGULATOR SPRING (2012-2019) ME25000273012 (u. 1)
19	(ENDURO) CARBURATOR SLIDE RETURN SPRING ME25000283012 (u. 1)
20	(ENDURO) CARBURATOR FLOAT BOWL CLIP ME25690027 (u. 1)
21	(ENDURO) CARBURATOR FLOAT BOWL SCREW ME25000293012 (u. 1)
22	(ENDURO) CARBURATOR SHORT BREATHER TUBE ME25000303012 (u. 1)
23	(ENDURO) CARBURATOR LONG BREATHER TUBE ME25000313012 (u. 1)
24	(ENDURO) CARBURATOR FLOAT PIN ME25690033 (u. 1)
25	(ENDURO) CARBURATOR BREATHER TUBE CLIP ME25690034 (u. 1)

	RJ-CARBURATOR MAIN JET 175 : ME25690175 0/005.991.9104 (u. 1)
26	OBSOLETE : 0/005.991.9104 : CARBURATOR MAIN JET 175 ME25690175 (u. 1)
	MAIN JET ME25690115 (u. 1)
27	(ENDURO) CARBURATOR TENSOR CABLE ME25000323012 (u. 1)
28	OBSOLETE : (ENDURO) CABLE TENSION ADJUSTER NUT <b>OBSOLETE</b> ME25000333012 (u. 1)
29	(ENDURO) CARBURATOR IDLE SCREW ME25690038 (u. 1)
30	(ENDURO) CARBURATOR AIR SCREW SPRING ME25690039 (u. 1)
31	(ENDURO) CARBURETOR SPRING BUSHING COVER ME25690040 (u. 1)
32	(ENDURO) CARBURATOR VENT TUBE ME25000343012 (u. 1)
33	(ENDURO) CARBURATOR CAP SCREW (2012-2019) ME25000353012 (u. 1)
34	(ENDURO) CARBURETOR SPRING CLIP ME25000363012 (u. 1)
35	STOP THROTTLE CABLE ME250690010 (u. 1)