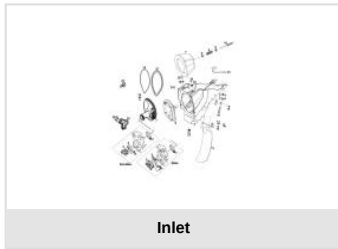




# **GASGAS ENDURO (4-STROKE) EC F RACING**

## **250cc 2014**

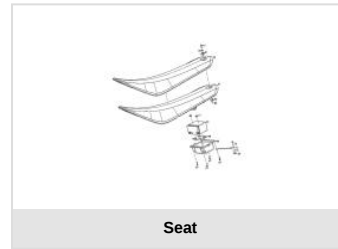
### **Exploded**



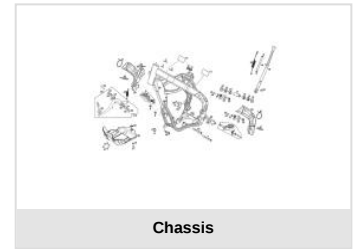
**Inlet**



**Rear shock absorber**



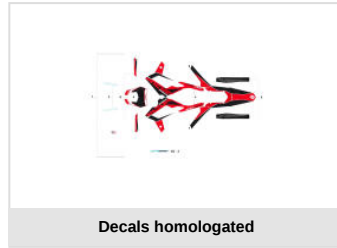
**Seat**



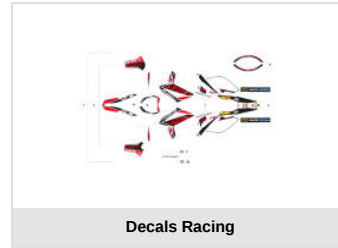
**Chassis**



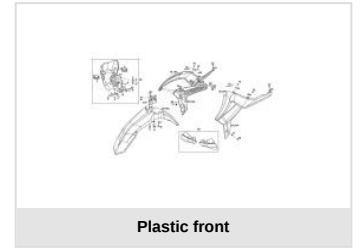
**Chassis rear**



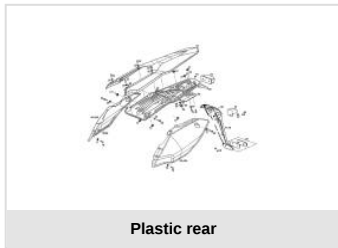
**Decals homologated**



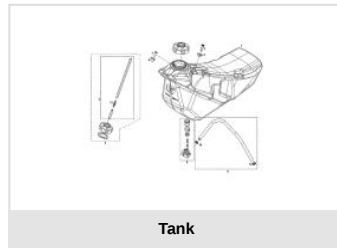
**Decals Racing**



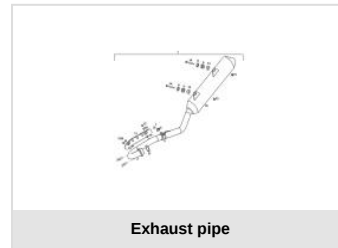
**Plastic front**



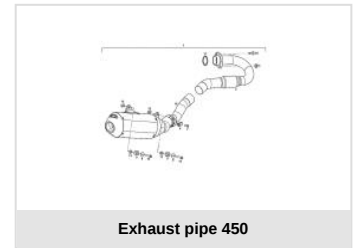
**Plastic rear**



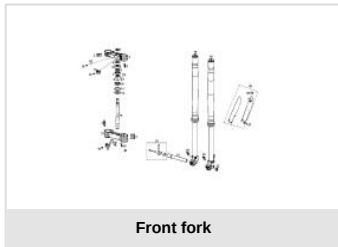
**Tank**



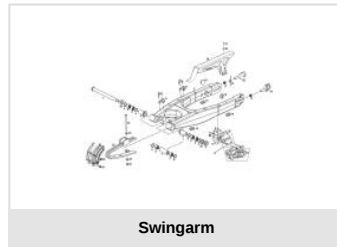
**Exhaust pipe**



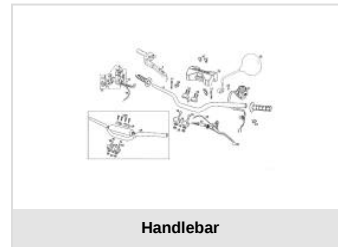
**Exhaust pipe 450**



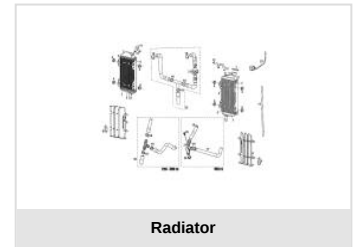
**Front fork**



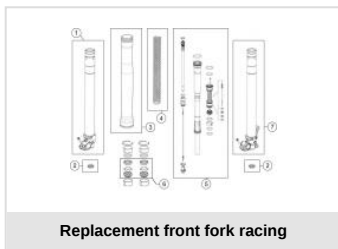
**Swingarm**



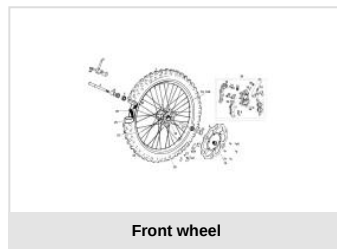
**Handlebar**



**Radiator**



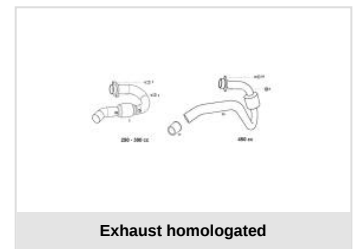
**Replacement front fork racing**



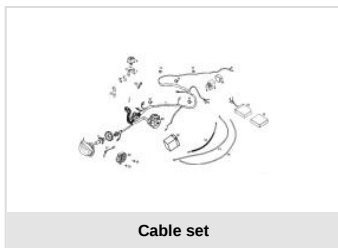
**Front wheel**



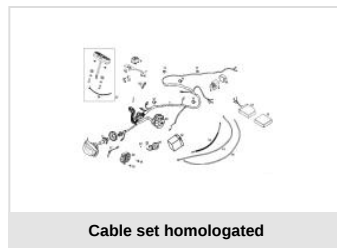
**Rear wheel**



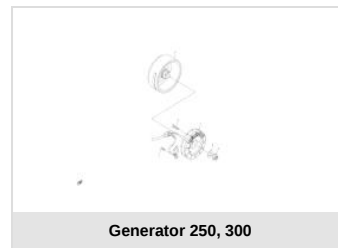
**Exhaust homologated**



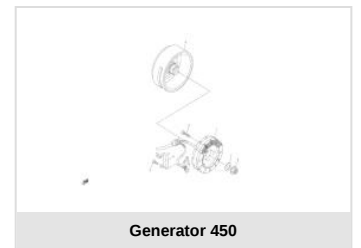
**Cable set**



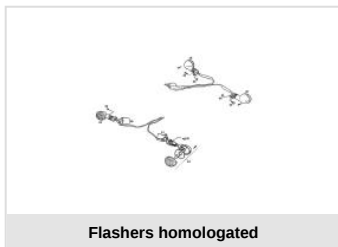
**Cable set homologated**



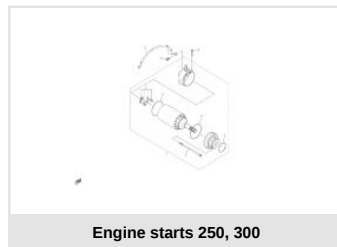
**Generator 250, 300**



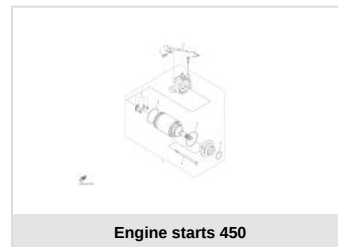
**Generator 450**



**Flashers homologated**



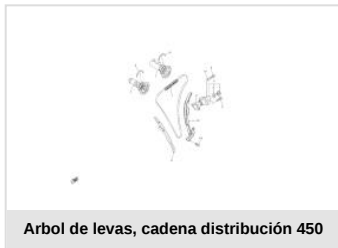
**Engine starts 250, 300**



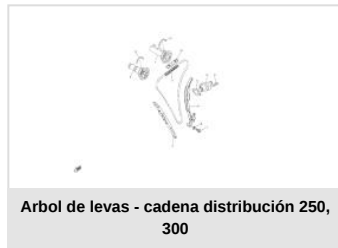
**Engine starts 450**

EC F RACING 4T 250-300-450 2014- Engine

---



Arbol de levas, cadena distribución 450



Arbol de levas - cadena distribución 250, 300



ARBOL SELECTOR CAMBIO 250, 300



ARBOL SELECTOR CAMBIO 450



BOMBA DE ACEITE 450



BOMBA DE ACEITEV



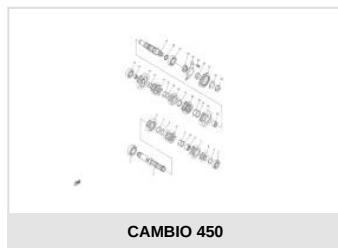
BOMBA DE AGUA 250, 300



BOMBA DE AGUA 450



CAMBIO 250, 300



CAMBIO 450



CARBURADOR 250, 300



CARBURADOR 450



CARTER DE MOTOR 250, 300



CARTER DE MOTOR 450



CIGUENAL - PISTON 250, 300



CIGUENAL - PISTON 450



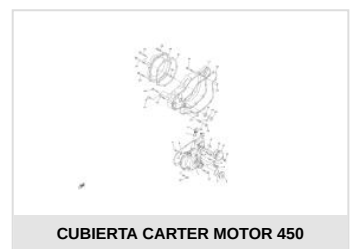
CILINDRO - CULATA CILINDRO 250, 300



CILINDRO - CULATA CILINDRO 450



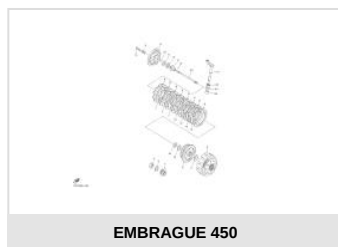
CUBIERTA CARTER MOTOR 250, 300



CUBIERTA CARTER MOTOR 450



EMBRAGUE 250, 300



EMBRAGUE 450



FILTRO DE ACEITE 250, 300



FILTRO DE ACEITE 450



LEVA DE CAMBIO, HORQUILLAS 250, 300



LEVA DE CAMBIO, HORQUILLAS 450



PALANCA DE ARRANQUE 250, 300



PALANCA DE ARRANQUE 450



**RUEDA LIBRE ARRANQUE 250, 300**



**RUEDA LIBRE ARRANQUE 450**

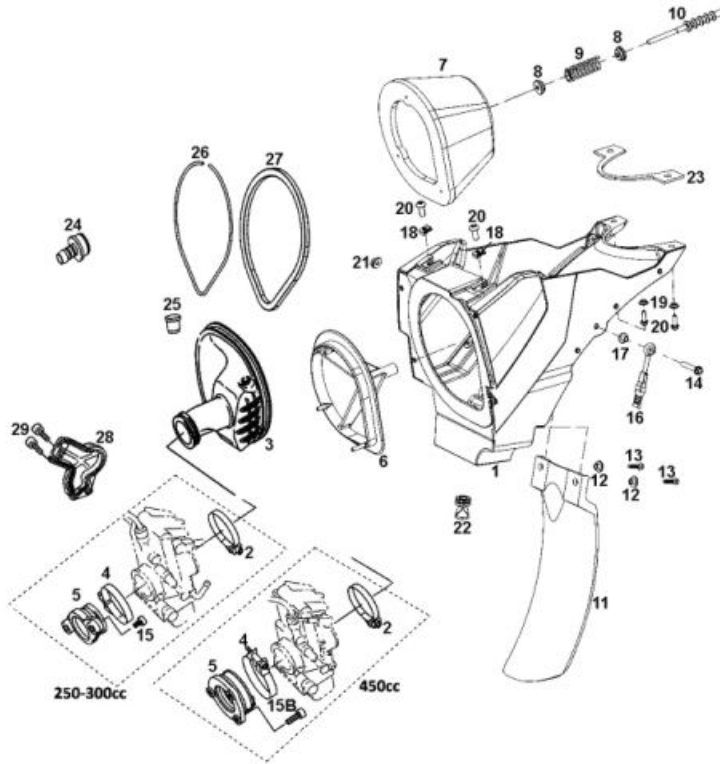


**VALVULA 250, 300**



**VALVULA 450**

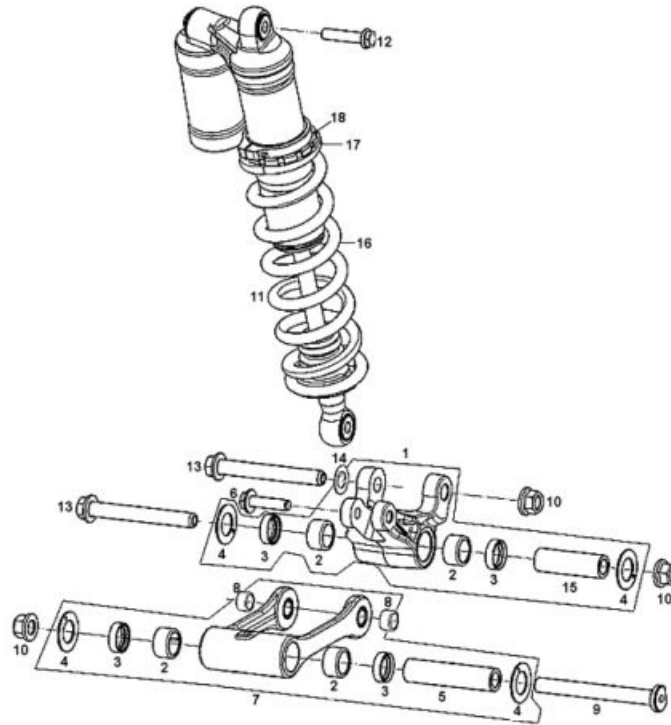
**Inlet**



1	OBSOLETE : AIR FILTER BOX {GASGAS EC 4T 2014-2015} BE79000CT-CAK-1 (u. 1)
3	ENDURO CARB FILTER NOZZLE C {GASGAS 4T 2012-2015} 5UM-14453-LO (u. 1) - 250, 300
3	ENDURO JOINT AIR CLEANER 1 {GASGAS 4T 2014-2015} 5TJ-14453-LO (u. 1) - 450
4	ENDURO HOSE CLAMP ASSY {GASGAS 4T 2012-2015} : 90450-57010-00 90450-57010 (u. 1)
5	OBSOLETE : JOINT CARBURETOR 250 300 4T <b>OBSOLETE</b> 5XC-13597-30 (u. 1) - 250, 300
5	OBSOLETE : JOINT CARBURETOR 3 <b>OBSOLETE</b> 2S2-13597-00 (u. 1) - 450
6	(ENDURO) AIR FILTER CARRIER (BLACK) (2007-2017) BE250628002 (u. 1)
7	ENDURO AIR FILTER {GASGAS 4T 2007-2015} BFS450728000 (u. 1)
8	FILTER BOX AXE SPRING EC 4T <b>OBSOLETE</b> BE79525GG-CAK-1 (u. 1)
8	RJ-MR AIR FILTER BOX SPRING (2018-2019) : BE79525GG-CAK-1 : BE250728051 0/000.470.9105 (u. 1)
8	OBSOLETE : 0/000.470.9105 : (ENDURO) AIR FILTER BOX SPRING (2018-2019) : BE79525GG-CAK-1 <b>OBSOLETE</b> BE250728051 (u. 1)
9	OBSOLETE : 0/000.470.9105 : (ENDURO) AIR FILTER BOX SPRING (2018-2019) : BE79525GG-CAK-1 <b>OBSOLETE</b> BE250728051 (u. 1)
9	RJ-MR AIR FILTER BOX SPRING (2018-2019) : BE79525GG-CAK-1 : BE250728051 0/000.470.9105 (u. 1)

	AIR FILTER BOLT {GASGAS EC/XC 18->} (RED) BE250728003 (u. 1)
10	OBSOLETE : 0/000.980.9117 : AIR FILTER SUPPORT ROD (SILVER) (2012-2017) <b>OBSOLETE</b> MF25000032512 (u. 1)  BE250728003 : AIR FILTER SUPPORT ROD (SILVER) (2018-2019) : MF25000032512 0/000.980.9117 (u. 1)
11	OBSOLETE : 0/000.220.9117 : (ENDURO) (REAR) SHOCK PROTECTOR (BLACK) (2018) : BE25620008, BP25720060, P320104, P320700 <b>OBSOLETE</b> BE79555GG-CLJ-1 (u. 1)  RJ-REAR SHOCK PROTECTOR {GASGAS EC/XC 18-19, RIEJU MR RACING/PRO 2021->} (BLACK) : BE25620008, BP25720060, P320104, P320700 : BE79555GG-CLJ-1 0/000.220.9117 (u. 1)  OBSOLETE : 0/000.220.9117 : REAR SHOCK ROOST PROT. P <b>OBSOLETE</b> BE25620008 (u. 1)
12	EC PROTECTOR SHOCK BUSHING (2007) BE250728059 (u. 1)
13	OBSOLETE : PLASTIC BOLT 45x20 BE250728058 (u. 1)
14	ALLEN BOLT 6X30 : BE250114144 : T0206030 0/000.460.9123 (u. 1)  OBSOLETE : 0/000.460.9123 : ALLEN BOLT 6X30 : BE250114144 <b>OBSOLETE</b> T0206030 (u. 1)
16	ELASTICO SUJDEPOS8928 : G150710, P100275 BE25636000 (u. 1)
17	TANK BUSHING {GASGAS 2001-2015} : B560740, B560040 BE25610007 (u. 1)
18	TT-NUT TRT M5 GEOMET T810599990001 (u. 1)
19	FIXING PLASTIC CAP T90052080004M (u. 1)
20	OBSOLETE : 0/000.460.9155 : BUTTONHEAD ALLEN BOLT 5X16 <b>OBSOLETE</b> T0505016 (u. 1)  OBSOLETE : 0/000.460.0083 : BUTTONHEAD ALLEN BOLT 5X16 : T0505016 0/000.460.9155 (u. 1)  ISO 7380 Torx T-25 SCREW W/ WASHER M5x16 INOX 0/000.460.0083 (u. 1)
21	(ENDURO) RADIATOR SHROUD BUSHING BE250032060 (u. 1)
22	(ENDURO) AIR BOX DRAIN NIPPLE (2012-2017) BT280228032 (u. 1)
23	ENDURO AIR BOX GASKET {GASGAS EC/XC 2012-2015} BE90000403012 (u. 1)
24	OBSOLETE : VENT HOSE ENTRY NIPPLE <b>OBSOLETE</b> MF25000012512 (u. 1)
25	OBSOLETE : BREATHER CAP YAMAHA <b>OBSOLETE</b> MF25000022512 (u. 1)
26	OBSOLETE : METAL RETENTION RING FOR BREATHER <b>OBSOLETE</b> MF25000052512 (u. 1)
27	OBSOLETE : RING FIX BREATHER AIR ME25000123011 (u. 1)
28	CARB COVER {GASGAS EC 4T 2014-2015} BFS781102510 (u. 1)
29	HEAD SCREW 5x15: T0205015/2, T0205010 : T0205015 0/000.460.9115 (u. 1)  OBSOLETE : 0/000.460.9115 : HEAD SCREW 5x15: T0205015/2, T0205010 <b>OBSOLETE</b> T0205015 (u. 1)

Rear shock absorber

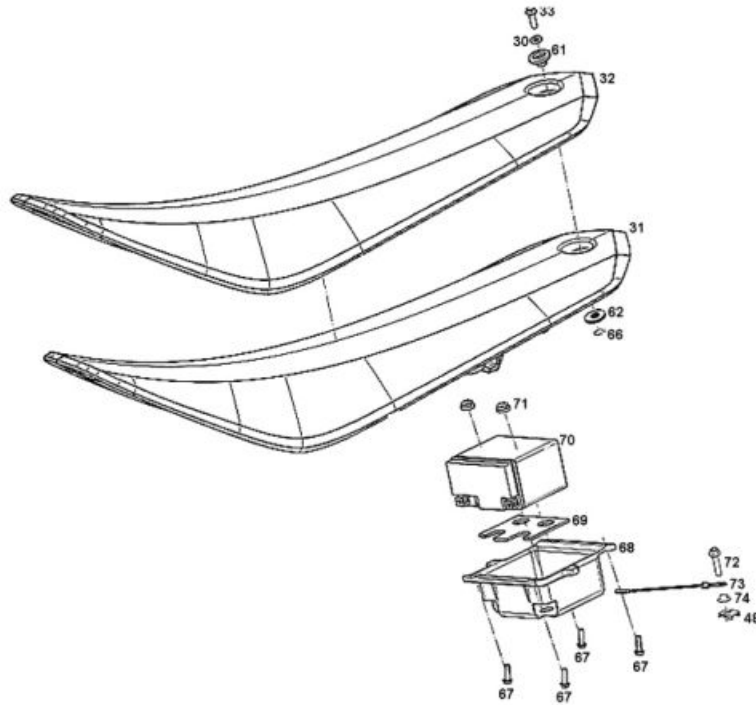


1	COMPLETE ROCKER ARM BE32000NCT3011 (u. 1)
2	NEEDLES BEARING DL2216 : C110700 BE25614010 (u. 1) SKF NEEDLE BEARING {GASGAS EC 2001-2017} BE25614010/SKF (u. 1)
3	SHOCK SEAL 28x22x8 {GASGAS EC/XC 11-17} BE32025N3011 (u. 1)
4	WASHER G (REF.GTM-2238-015) T4003822 (u. 1)
5	CONNECTING ROD BUSHING BF30000024512 (u. 1)
6	OBSOLETE : BOLT M10x40x125 T0110042 (u. 1)
7	LINKAGE KIT BF30000014512CT (u. 1)
8	CONNECTING ROD-BUSHING {GASGAS EC 2001-2017} BE25642002 (u. 1)
9	LINKAGE AXLE BF30000034512 (u. 1)
10	OBSOLETE : 0/000.340.9103 : (ENDURO) SWINGARM NUT : B260700 <b>OBSOLETE</b> BE25612009 (u. 1) RJ-MR SWINGARM NUT : B260700 : BE25612009 0/000.340.9103 (u. 1)
11	REAR SHOCK, REIGER *250,300cc* {GASGAS 4T 2014-2015} (YELLOW) BE30000GG-CAF-1 (u. 1) - 250, 300 REAR SHOCK, REIGER 450cc {GASGAS 4T 2014-2015} (GREEN) BE30000GG-CAK-1 (u. 1) - 450
12	OBSOLETE : FLANGE SCREW 10x45 PAS 125 DACROMET T0210045 (u. 1)



13	OBSOLETE : BOLT, 14X110 1.50 THREAD. 25 12.9 : T0214110 <b>OBSOLETE</b> T0214110R (u. 1)
14	OBSOLETE : WASHER, PAMPERA FRT WHEEL T4015025 (u. 1)
15	(ENDURO) PULL ROD BEARINGS BUSHING BE32020N3011 (u. 1)
	SPRING REIGER 40-280 RRS59146 (u. 1)
	SPRING REIGER 40-280 RRS59146 (u. 1)
	SPRING REIGER 58-280 RRS5976 (u. 1)
	SPRING REIGER 42-280 RRS5980 (u. 1)
	SPRING REIGER 50-280 RRS5922 (u. 1)
	Cannon Racecraft - REAR SHOCK SPRINGS 5.8 RATE (KYB/REIGER) {GASGAS EC/XC 14-19, RIEJU MR 21 ->} 5927058 (u. 1)
16	SPRING REIGER 64-280 RRS5982 (u. 1)
	SPRING REIGER 54-280 RRS5949 (u. 1)
	SPRING REIGER 60-280 RRS59339 (u. 1)
	SPRING REIGER 44-280 RRS5971 (u. 1)
	SPRING REIGER 52-280 RRS5946 (u. 1)
	SPRING REIGER 56-280 RRS5963 (u. 1)
	Cannon Racecraft - REAR SHOCK SPRINGS 5.4 RATE (KYB/REIGER) {GASGAS/RIEJU 14->} 5927054 (u. 1)

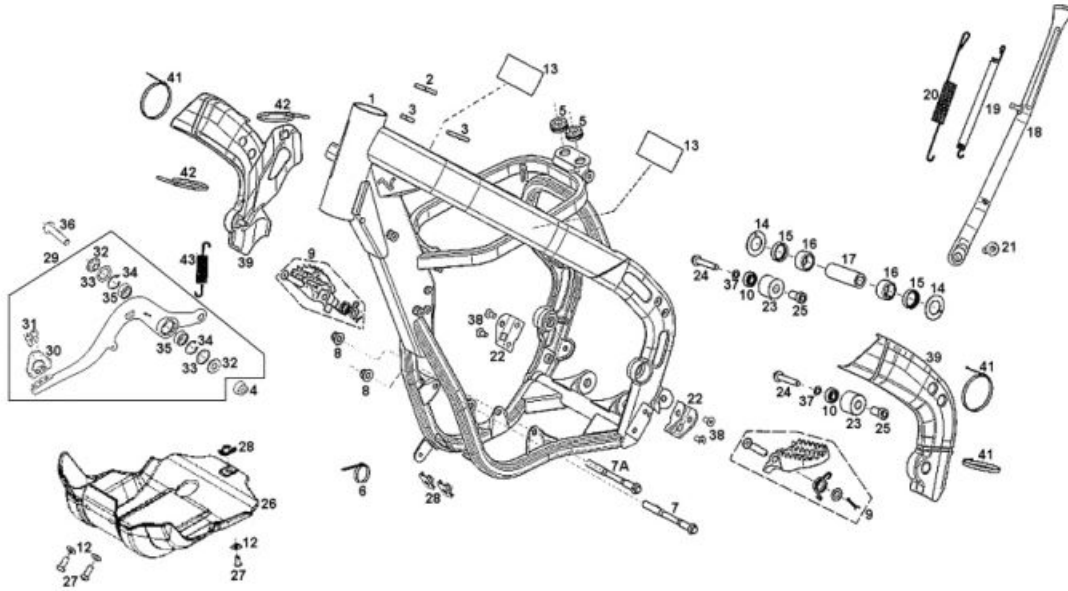
Seat



30	+487X18 ORING BE94040GG-CAB-1 (u. 1)
31	SEAT {GASGAS EC 2014-2015} (BLACK) : BE94000GG-CAB-1, BE94000GG-CDH-1, BE94000GG-CDH-2, BE940003013, BE90000063013 BE94000GG-CEQ-1 (u. 1)  OBSOLETE : BE94000GG-CEQ-1 : (ENDURO) SEAT (2014) : BE940003013, BE90000063013 <b>OBSOLETE</b> BE94000GG-CAB-1 (u. 1)
32	SEAT COVER {GASGAS EC 2013-2015} BE90000453013 (u. 1)
33	FLANGE BOLT 6x25 10.9 : T0206025/2 : T0206025 0/000.460.9121 (u. 1)  OBSOLETE : 0/000.460.9121 : FLANGE BOLT 6x25 10.9 : T0206025/2 <b>OBSOLETE</b> T0206025 (u. 1)
48	CAGE NUT 6mm : T2606000 0/000.340.9120 (u. 1)  TT-CAGE NUT 6mm T2606000 (u. 1)
61	BUSH SEAT EC 2014 : BE35000093012 BE94030GG-CAB-1 (u. 1)
62	DOGBONE SPRING WASHER : T4010026 T4001026 (u. 1)
66	SNAP-RING BE94035GG-CAB-1 (u. 1)
67	TT-BOLT 6x20 T0206020 (u. 1)  HEX BOLT 6x20 10.9 : T0206020/2, T0206020/3 : T0206020 0/000.460.9120 (u. 1)
68	BATTERY BOX {GASGAS EC 2013-2015} BE10000073013 (u. 1)
69	BATTERY BOX RUBBER HOLDER (CEX) BE10000093013 (u. 1)

70	BATTERY YTZ7SSIAM FURUKAWA EC4004T : BFS400134080 BFS400134080/3 (u. 1)
71	GOMA AISLANTE BASE ASIENTO EC 2013-2017 <b>OBSOLETE</b> BE940163013 (u. 1)
72	OBSOLETE : T0606025 : SPECIAL SCREW 6X20 <b>OBSOLETE</b> T0606020 (u. 1)
	OBSOLETE : SPECIAL BOLT 6x25 T0606025 (u. 1)
	OBSOLETE : SPECIAL BOLT 6x25 T0606025 (u. 1)
73	SEAT HOLDER WIRE 2013 E BE10000033013 (u. 1)
74	TANK BUSHING {GASGAS 2001-2015} : B560740, B560040 BE25610007 (u. 1)

Chassis

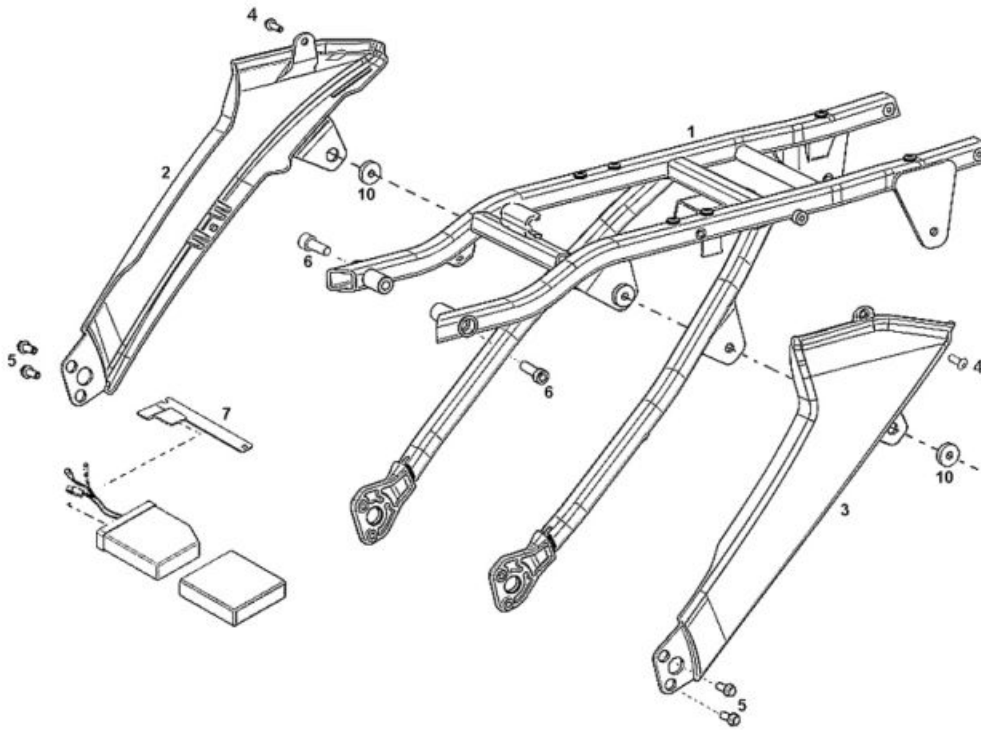


1	CHASSIS COMPLETE (GASGAS 4T 2014-2015) BE10000CT-CAF-1 (u. 1) - 250, 300
	FRAME COMP.EC 450 4T 2014 BE10000CT-CAK-1 (u. 1) - 450
2	SQUARE RUBBER ADHESIVE 25x25x5 BE10000303012 (u. 1)
3	STRIP RUBBER ADHESIVE 35X10X5 BE10000313012 (u. 1)
4	NYLOC FLANGE NUT 8mm : T2208002/2, T2208002/3 : T2208002 0/000.340.9119 (u. 1)
	OBSOLETE : 0/000.340.9119 : NYLOC FLANGE NUT 8mm : T2208002/2, T2208002/3 <b>OBSOLETE</b> T2208002 (u. 1)
5	(ENDURO) SILENCER BLOCK (2001-2017) : G590720, BE25626005 BE250026005 (u. 1)
6	TT-UNEX CLAMP 4.8x20 BE25634009 (u. 1)
	UNEX CLAMP ZIP TIE : BE25634009 0/000.660.9105 (u. 1)
7_	ALLEN 10 X 160 T0310160 (u. 1) - 450
	OBSOLETE : ALLEN M10x130 ZINC.12.9 <b>OBSOLETE</b> T0310130 (u. 1) - 250, 300
	OBSOLETE : ALLEN 10X120 TALLAT A 102 : T0310121, T0310122 T0310120 (u. 1) - 250, 300
	OBSOLETE : ALLEN M10x130 ZINC.12.9 <b>OBSOLETE</b> T0310130 (u. 1) - 450
7	OBSOLETE : ALLEN M10x130 ZINC.12.9 <b>OBSOLETE</b> T0310130 (u. 1) - 250, 300
	ALLEN 10 X 160 T0310160 (u. 1) - 450

8	OBSOLETE : 0/000.340.9123 : 10MM NUT (1.25) <b>OBSOLETE</b> T3110002 (u. 1)
	10MM NUT (1.25) : T3110002 0/000.340.9123 (u. 1)
9	(ENDURO) FOOT PEG SET (STANDARD) (2014-2017) BE14005CT-CAB-1 (u. 1)
10	BALL BEARING, SKF-608-2R51 BE05000033013 (u. 1)
12	(ENDURO) CRANKCASE PROTECTOR CAP M8 BE11511GG-CAB-1 (u. 1)
13	OBSOLETE : STICKER, PROT.CHAS. AT LWR RAD.CVR 2014 BE95154GG-CAW-1 (u. 1)
14	WASHER G (REF.GTM-2238-015) T4003822 (u. 1)
15	SHOCK SEAL 28x22x8 {GASGAS EC/XC 11-17} BE32025N3011 (u. 1)
16	SKF NEEDLE BEARING {GASGAS EC 2001-2017} BE25614010/SKF (u. 1)
	NEEDLES BEARING DL2216 : C110700 BE25614010 (u. 1)
17	(ENDURO) PULL ROD BEARINGS BUSHING BE32020N3011 (u. 1)
18	(ENDURO) KICKSTAND ARM : BE142003013CT BE142003013 (u. 1)
19	INTERNAL SIDE STAND SPRING BE10000523012 (u. 1)
20	SUPPORT OUTER SPRING BE250510039 (u. 1)
21	(ENDURO) KICKSTAND ATTACHMENT BOLT BE142203013 (u. 1)
22	FOOTPEG SUPPORT BE140903013 (u. 1)
23	WHEEL FOR SECONDARY DRIVE BE05000013013 (u. 1)
24	OBSOLETE : SPECIAL SCREW 8x50 T0208050 (u. 1)
25	CHAIN ROLLER BUSH BE14235GG-CAB-1 (u. 1)
26	OBSOLETE : CTO.PROT.CARTER EC 250-300 4T RACING 2014-2015 <b>OBSOLETE</b> BE11500GG-CAF-1 (u. 1) - 250, 300
	CRANKCASE PROTETOR EC 450 4T RACING 2014 BE11500GG-CAK-1 (u. 1) - 450
27	OBSOLETE : BUTTONHEAD ALLEN BOLT 8x20 (SKIDPLATE) : T0508022 T0508020 (u. 1)
28	CAGE NUT 8MM BT280010041 (u. 1)
29	(ENDURO) (REAR) BRAKE LEVER ASSY BE13000CT-CAB-1 (u. 1)
30	(ENDURO) BRAKE PEDAL BE130102510 (u. 1)
31	TT-ALLEN BOLT 5x12 T0305012 (u. 1)
32	(REAR) BRAKE LEVER BUSHING BE15000023012 (u. 1)
33	DOGBONE SEAL 15x21x2 C230001 (u. 1)

34	SEEGER DIN 472 D19X1 SE01190100109 (u. 1)
35	OBSOLETE : BALL BEARING REAR BRAKE LEVER RD0108019006A (u. 1)
36	OBSOLETE : CLAMP SCREW T0208040 (u. 1)
37	OBSOLETE : WASHER 8x15 T4006512 (u. 1)
38	FLAT ALLEN HEAD PLOW BOLT 8x16 ZINC T0408016 (u. 1)
39	RIEJU/GASGAS FRAME PROTECTOR KIT (BLACK) (2012-2017) : BE200303013, BE200313013 BE190003013CT (u. 1)
41	OBSOLETE : 0/000.660.9104 : ZIP TIE 48x36 <b>OBSOLETE</b> BE25634007 (u. 1)
	ZIP TIE 48x36 : BE25634007 0/000.660.9104 (u. 1)
42	ZIP TIE 36x140 : BE250022031 0/000.680.9100 (u. 1)
	OBSOLETE : 0/000.680.9100 : ZIP TIE 36x140 <b>OBSOLETE</b> BE250022031 (u. 1)
43	RJ-MR BRAKE PEDAL SPRING : BE13015GG-CAB-1 0/000.470.9100 (u. 1)
	OBSOLETE : 0/000.470.9100 : (ENDURO) BRAKE PEDAL SPRING <b>OBSOLETE</b> BE13015GG-CAB-1 (u. 1)

Chassis rear



SUBCHASIS DE ALUMINIO EC2014V2 **OBSOLETE**  
BE12000CT-CAB-2 (u. 1)

**1** OBSOLETE : 0/000.010.9104 : (ENDURO) ALUMINIUM SUBFRAME (2014-2015) : BE12000CT-CAB-1 **OBSOLETE**  
BE12000CT-CAB-1 (u. 1)

RJ-MR ALUMINUM SUBFRAME : BE12000CT-CAB-1, BE12000CT-EKF-1  
0/000.010.9104 (u. 1)

**2** (ENDURO) (RIGHT) SUB-FRAME SIDE TRIM (BLACK) (2013-2017)  
BE122003013 (u. 1)

**3** (ENDURO) (LEFT) SUB-FRAME SIDE TRIM (BLACK) (2012-2017)  
BE122053013 (u. 1)

**4** BUTTONHEAD ALLEN BOLT 5x15  
T0505015 (u. 1)

**5** HEX BOLT 6x20 10.9 : T0206020/2, T0206020/3 : T0206020  
0/000.460.9120 (u. 1)

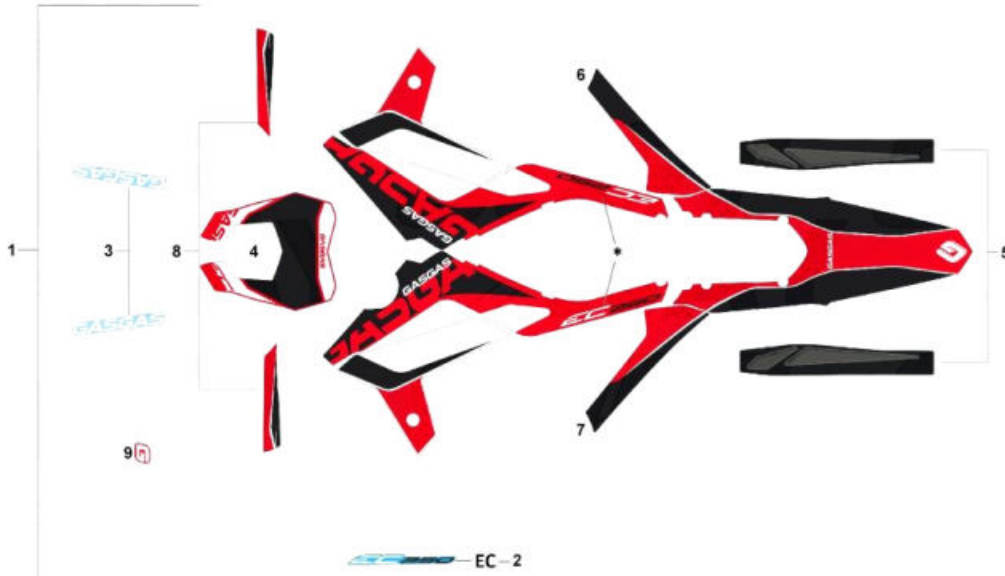
TT-BOLT 6x20  
T0206020 (u. 1)

**6** ALLEN BOLT 8x50 : ST950901  
T0308050 (u. 1)

**7** SOP.CDI EC 2014 4t **OBSOLETE**  
BE11050GG-CAK-1 (u. 1)

**10** (ENDURO) RADIATOR SHROUD BUSHING  
BE250032060 (u. 1)

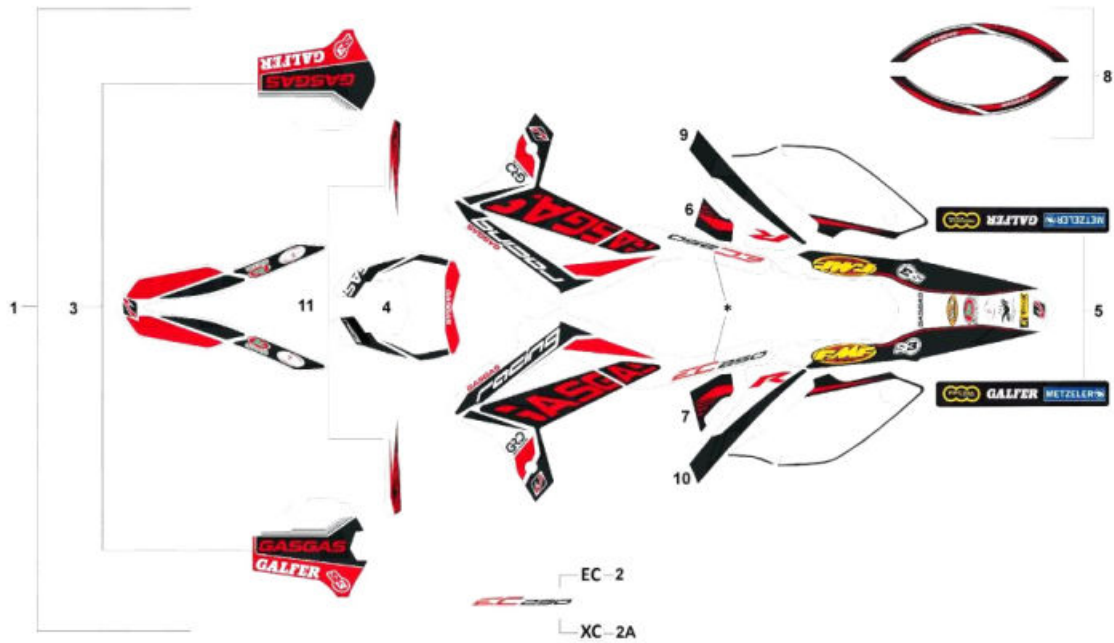
Decals homologated



1	(ENDURO) STANDARD 2T DECAL KIT (2014) BE95000CT-CAB-1 (u. 1)
2	ENDURO *300cc* DECAL {GASGAS EC/XC 2014-2015} BE95135GG-CAW-1 (u. 1) - 300
3	(ENDURO) DECAL (EC250) (2014) BE95135GG-CAX-1 (u. 1) - 250
3	(ENDURO) STANDARD FORK PROTECTOR DECAL (2014) BE95010GG-CAB-1 (u. 1) KIT ADH.PROT.HORQ.STANDARD 2014 <b>OBSOLETE</b> BE95010CT-CAB-1 (u. 1)
4	<b>OBSOLETE</b> : (ENDURO) STANDARD HEAD LIGHT DECAL (2014) <b>OBSOLETE</b> BE95020GG-CAB-1 (u. 1)
5	ADH.DCH.BASCUL.EC RACING 2013 <b>OBSOLETE</b> BE951453013 (u. 1) <b>OBSOLETE</b> : SWINGARM DECAL KIT {GASGAS EC 2013-2014} : BE951503013, BE951453013 BE951453013CT (u. 1)
6	(ENDURO) (RIGHT) STANDARD FRAME PROTECTOR DECAL (2014) BE95090GG-CAB-1 (u. 1)
7	(ENDURO) (LEFT) STANDARD FRAME PROTECTOR DECAL (2014) BE95095GG-CAB-1 (u. 1)
8	(ENDURO) STANDARD HAND GUARD DECAL SET (2014) BE95025CT-CAB-1 (u. 1)
9	(ENDURO) STANDARD 'GG' DECAL (WHITE) (2013-2014) BE951603013 (u. 1)



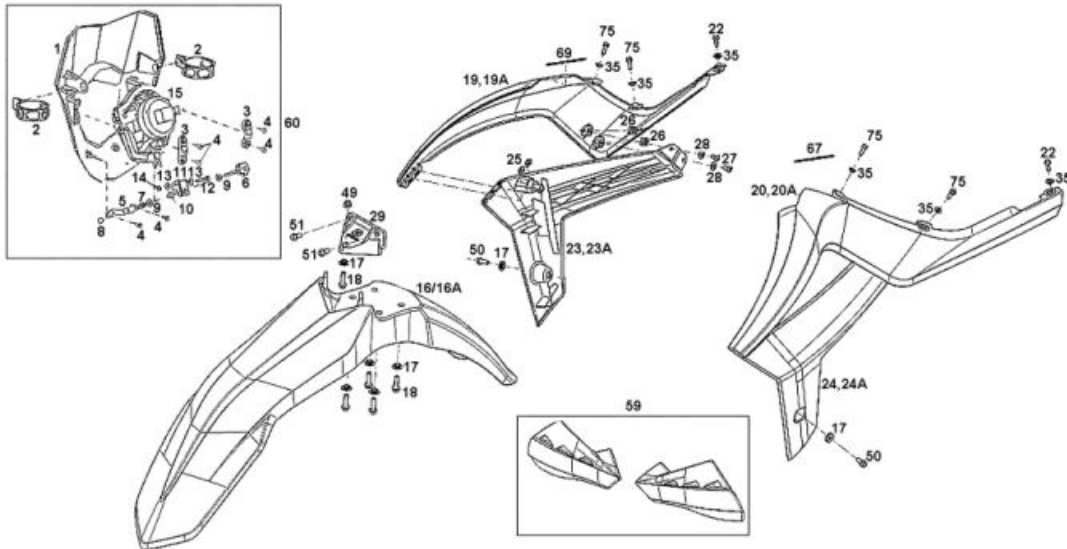
**Decals Racing**



1	(ENDURO) DECAL KIT (RACING) (2014) BE95000CT-CAW-1 (u. 1)
2	ENDURO *300cc* DECAL {GASGAS EC/XC 2014-2015} BE95135GG-CAW-1 (u. 1) - 300
2	(ENDURO) DECAL (EC250) (2014) BE95135GG-CAX-1 (u. 1) - 250
	DECAL KIT {GASGAS 4T 2014} BE95135GG-CAK-1 (u. 1) - 456
	(ENDURO) DECAL (XC250) (2014) BE95135GG-CBW-1 (u. 1) - 250
	(ENDURO) DECAL (XC450 4T) (2014) BE95135GG-CAL-1 (u. 1) - 456
	(ENDURO) DECAL (XC300) (2014) BE95135GG-CBX-1 (u. 1) - 300
2	DECAL KIT {GASGAS 4T 2014} BE95135GG-CAK-1 (u. 1) - 456
	ENDURO *300cc* DECAL {GASGAS EC/XC 2014-2015} BE95135GG-CAW-1 (u. 1) - 300
	(ENDURO) DECAL (EC250) (2014) BE95135GG-CAX-1 (u. 1) - 250
3	(ENDURO) RACING FORK PROTECTORS DECAL KIT DECAL (2014) BE95010CT-CAW-1 (u. 1)
4	HEADLAMP STICKER, RACING 2014 BE95020GG-CAW-1 (u. 1)
5	OBSOLETE : SWINGARM DECAL KIT {GASGAS EC 2013-2014} : BE951503013, BE951453013 BE951453013CT (u. 1)
6	(ENDURO) (RIGHT) AIRBOX DECAL (RACING) (2014) BE95175GG-CAW-1 (u. 1)
7	(ENDURO) (LEFT) AIRBOX DECAL (RACING) (2014) BE95185GG-CAW-1 (u. 1)

8	OBSOLETE : COMPLETE WHEEL DECAL KIT {GASGAS EC 2014} : BE950922510, BE95220GG-CAW-1, BT952203013, BT952203013CT BE95220CT-CAW-1 (u. 1)
9	RIGHT FRAME PROTECTOR STICKER RACING 20 BE95090GG-CAW-1 (u. 1)
10	LEFT FRAME PROTECTOR STICKER EC RACING 2 BE95095GG-CAW-1 (u. 1)
11	KIT DECAL HAND-GUARD EC RACING 2014 : BE95025GG-CAW-1, BE95030GG-CAW-1 BE95025CT-CAW-1 (u. 1)

Plastic front



OBSOLETE : BE90000023012 : FRONT HEADLAMP 2013 **OBSOLETE**  
BE905003013 (u. 1) - RACING

**1** ENDURO FRONT HEADLIGHT SHELL {RIEJU 2012-2017} (RED)  
BE90000103013 (u. 1) - HOMOLOGADO

HEADLIGHT SHELL {GASGAS EC 2012-2015} (WHITE) : BE905003013  
BE90000023012 (u. 1)

**2** RJ-MR RUBBER HEADLIGHT HOLDER : BE25636015  
0/000.360.9102 (u. 1)

OBSOLETE : 0/000.360.9102 : (ENDURO) RUBBER HEADLIGHT HOLDER **OBSOLETE**  
BE25636015 (u. 1)

**3** RJ-MR PLASTIC LIGHT SUPPORT (WHITE) (2012- 2019) : BE905102511  
0/000.980.9104 (u. 1)

RED LAMP SUPPORT, 2016  
BE90000113013 (u. 1) - HOMOLOGADO

OBSOLETE : 0/000.980.9104 : (ENDURO) PLASTIC LIGHT SUPPORT (WHITE) (2012- 2019) **OBSOLETE**  
BE905102511 (u. 1) - RACING

**4** OBSOLETE : 0/000.460.9160 : SPECIAL PLASTIC BOLT 4x12 **OBSOLETE**  
T0804012 (u. 1)

SPECIAL PLASTIC BOLT 4x12 : T0804012  
0/000.460.9160 (u. 1)

**5** OBSOLETE : 0/000.980.9103 : (ENDURO) HEADLIGHT LIGHT BRACKET **OBSOLETE**  
BE90000033012 (u. 1)

RJ-MR HEADLIGHT LIGHT BRACKET : BE90000033012  
0/000.980.9103 (u. 1)

**6** OBSOLETE : 0/000.460.9106 : (ENDURO) HEADLIGHT REGULATOR BOLT **OBSOLETE**  
BE35000013012 (u. 1)

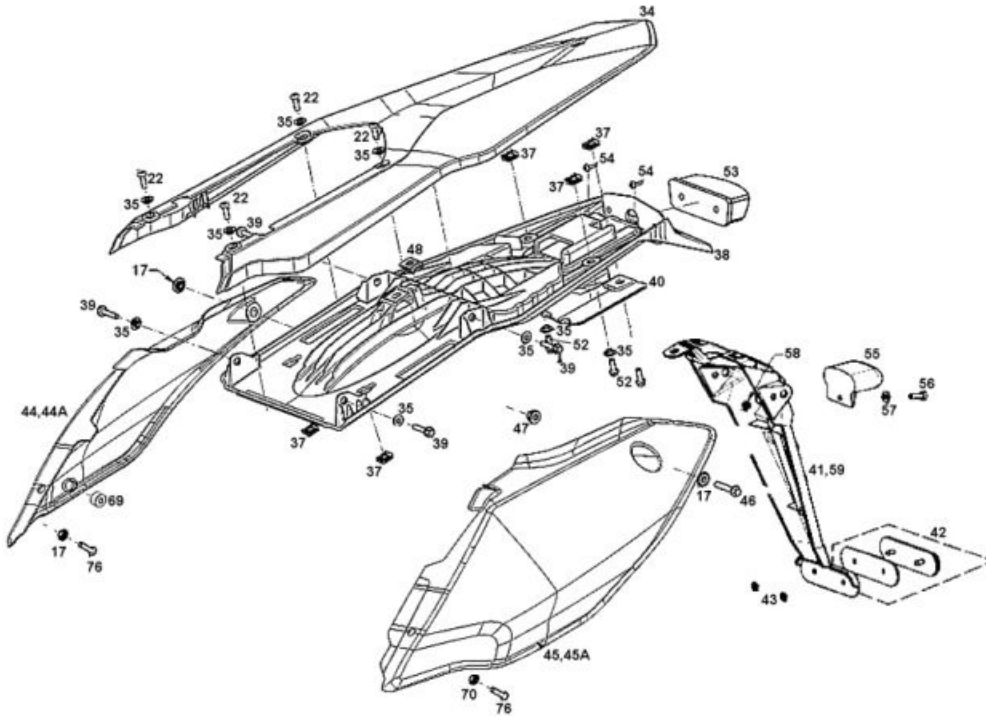
RJ-MR HEADLIGHT REGULATOR BOLT : BE35000013012  
0/000.460.9106 (u. 1)

7	OBSOLETE : 0/000.470.9107 : SCREW REG LAMP SPRING <b>OBSOLETE</b> BX250020026 (u. 1)
	RJ-SCREW REG LAMP SPRING : BX250020026 0/000.470.9107 (u. 1)
8	NYLOC NUT 5mm : 25049629, 12549633 : T2105000 0/000.340.9112 (u. 1)
	TT-SELFLOCKING NUT M5 T2105000 (u. 1)
9	WASHER 5x12x1.5 : T4005012 0/000.440.9121 (u. 1)
	TT-WASHER 5x12x1.5 T4005012 (u. 1)
10	OBSOLETE : 0/000.480.9128 : ALUMINIUM BUSHING 55x10x6 <b>OBSOLETE</b> T90055100006M (u. 1)
	RJ-ALUMINIUM BUSHING 55x10x6 : T90055100006M 0/000.480.9128 (u. 1)
11	RJ-MR HEADLIGHT REINFORCEMENT BRACKET : EE20000013012 0/000.980.9106 (u. 1)
	OBSOLETE : 0/000.980.9106 : (ENDURO) HEADLIGHT REINFORCEMENT BRACKET <b>OBSOLETE</b> EE20000013012 (u. 1)
12	ALLEN BOLT 4x25 ZINC DIN 912 : T0304025 0/000.460.9144 (u. 1)
	OBSOLETE : 0/000.460.9144 : ALLEN BOLT 4x25 ZINC DIN 912 <b>OBSOLETE</b> T0304025 (u. 1)
13	OBSOLETE : 0/000.440.9119 : WASHER 4x12x1 <b>OBSOLETE</b> T4004012 (u. 1)
	WASHER 4x12x1 : T4004012 0/000.440.9119 (u. 1)
14	NYLOC NUT 4mm : T2104000 0/000.340.9111 (u. 1)
	OBSOLETE : 0/000.340.9111 : NYLOC NUT 4mm <b>OBSOLETE</b> T2104000 (u. 1)
15	RJ-MR COMPLETE HEADLAMP BEAM UNIT: EE200002511 0/000.600.0270 (u. 1)
	RJ-COMPLETE HEADLAMP BEAM UNIT 0/000.600.0260 (u. 1)
	OBSOLETE 0/000.600.0270 : FRONT HEADLIGHT {GASGAS 2011-} EE200002511 (u. 1)
16	GUARDAB.DEL.ROJO <b>OBSOLETE</b> BE910013013 (u. 1) - <i>HOMOLOGADO</i>
	FRONT FENDER {RIEJU 2012-2017} (RED) : BE910013013, BE90000143012 BE90000143012 (u. 1)
	FRONT FENDER {GASGAS XC 2012-2015} (WHITE) : BE90000313012, BE90000313012CT BE910003013 (u. 1) - <i>RACING</i>
16	FRONT FENDER {RIEJU 2014} (WHITE W/ DECAL) BE91000CT-CAW-1 (u. 1) - <i>RACING CON CALCOMANIA</i>
	GUARDAB.DEL.ROJO <b>OBSOLETE</b> BE910013013 (u. 1) - <i>HOMOLOGADO</i>
	FRONT FENDER {GASGAS XC 2012-2015} (WHITE) : BE90000313012, BE90000313012CT BE910003013 (u. 1) - <i>RACING</i>
	FRONT FENDER {RIEJU 2012-2017} (RED) : BE910013013, BE90000143012 BE90000143012 (u. 1)
17	(ENDURO) RADIATOR SHROUD BUSHING BE250032060 (u. 1)

18	TT-BOLT 6x20 T0206020 (u. 1)
	HEX BOLT 6x20 10.9 : T0206020/2, T0206020/3 : T0206020 0/000.460.9120 (u. 1)
19	UPPER RIGHT RADIATOR SHROUD {RIEJU 2012-2017} (RED W/ DECAL) BE91500CT-CAB-1 (u. 1) - <i>HOMOLOGADO CON CALCOMANIA</i>
	(ENDURO) (UPPER RIGHT) RADIATOR COVER (WHITE) (2013) BE915053013 (u. 1) - <i>RACING</i>
	ENDURO UPPER RIGHT RADIATOR COVER {RIEJU 2014, 2017} (RED) : BE90000043012 BE915063013 (u. 1) - <i>HOMOLOGADO</i>
	(ENDURO) (UPPER RIGHT) RADIATOR COVER KIT (WHITE W/ DECAL) (2014) BE91500CT-CAW-1 (u. 1) - <i>RACING CON CALCOMANIA</i>
19	ENDURO UPPER RIGHT RADIATOR COVER {RIEJU 2014, 2017} (RED) : BE90000043012 BE915063013 (u. 1) - <i>HOMOLOGADO</i>
	(ENDURO) (UPPER RIGHT) RADIATOR COVER (WHITE) (2013) BE915053013 (u. 1) - <i>RACING</i>
20	WHITE UPPER LEFT RADIATOR COVER 2013 : BE90000523012 BE920053013 (u. 1) - <i>RACING</i>
	ENDURO LEFT LOWER RADIATOR SHROUD {RIEJU 2014} (WHITE W/ DECAL) BE92000CT-CAW-1 (u. 1) - <i>RACING CON CALCOMANIA</i>
	ENDURO UPPER LEFT RADIATOR COVER {RIEJU 2014, 2017} (RED) : BE90000053012 BE920063013 (u. 1) - <i>HOMOLOGADO</i>
	RAD.CVR.TOP,LT.RED. 2014 BE92000CT-CAB-1 (u. 1) - <i>HOMOLOGADO CON CALCOMANIA</i>
20	ENDURO UPPER LEFT RADIATOR COVER {RIEJU 2014, 2017} (RED) : BE90000053012 BE920063013 (u. 1) - <i>HOMOLOGADO</i>
	WHITE UPPER LEFT RADIATOR COVER 2013 : BE90000523012 BE920053013 (u. 1) - <i>RACING</i>
22	OBSOLETE : 0/000.460.9155 : BUTTONHEAD ALLEN BOLT 5X16 <b>OBSOLETE</b> T0505016 (u. 1)
	OBSOLETE : 0/000.460.0083 : BUTTONHEAD ALLEN BOLT 5X16 : T0505016 0/000.460.9155 (u. 1)
	ISO 7380 Torx T-25 SCREW W/ WASHER M5x16 INOX 0/000.460.0083 (u. 1)
23	ENDURO LOWER RIGHT RADIATOR COVER {RIEJU 2013-2014} (WHITE) : BE915103013RO BE915103013 (u. 1)
23	CTO.TAPA LAT.RAD.INF.DCH.STANDARD 201 BE91510CT-CAB-1 (u. 1) - <i>HOMOLOGADO CON CALCOMANIA</i>
	ENDURO LOWER RIGHT RADIATOR COVER {RIEJU 2013-2014} (WHITE) : BE915103013RO BE915103013 (u. 1)
	OBSOLETE : ENDURO LOWER RIGHT RADIATOR COVER {RIEJU 2014} (WHITE W/ DECAL) <b>OBSOLETE</b> BE91510CT-CAW-1 (u. 1) - <i>RACING CON CALCOMANIA</i>
24	ENDURO LOWER LEFT RADIATOR COVER {RIEJU 2013-2014} (WHITE) : BE920103013RO BE920103013 (u. 1)
24	COMPLETE RAD.SIDE CVR. LT. STAND. 2014 BE92010CT-CAB-1 (u. 1) - <i>HOMOLOGADO CON CALCOMANIA</i>
	ENDURO LOWER LEFT RADIATOR COVER {RIEJU 2013-2014} (WHITE) : BE920103013RO BE920103013 (u. 1)
	OBSOLETE : ENDURO LOWER LEFT RADIATOR COVER {RIEJU 2014} (WHITE W/ DECAL) BE92010CT-CAW-1 (u. 1) - <i>RACING CON CALCOMANIA</i>
25	FIXING CLIP SIDE COVERS BE35000083012 (u. 1)
26	OBSOLETE : CAGE NUT 02130035 : BX250020029/2 BX250020029 (u. 1)
27	SCREW 48x13 T0606013 (u. 1)

28	WASHER 5x12x1.5 : T4005012 0/000.440.9121 (u. 1)
	TT-WASHER 5x12x1.5 T4005012 (u. 1)
29	EC FRONT FENDER BRACE BE90000463012 (u. 1)
35	FIXING PLASTIC CAP T90052080004M (u. 1)
49	TT-NYLOCK NUT 6mm T2106001 (u. 1)
	NYLOC NUT 6mm : T2106001 0/000.340.9113 (u. 1)
50	TT-HEX HEAD WASHER 6x16 T0206016 (u. 1)
	HEX FLANGE SCREW 6x16 : T0206016/2, T0106016N, T0106016, BE25618032, BE250018029 : T0206016 0/000.460.9119 (u. 1)
51	OBSOLETE : 0/000.460.9118 : TT-HEX FLANGE BOLT 6x14 : T0206014/2 <b>OBSOLETE</b> T0206014 (u. 1)
	HEX FLANGE BOLT 6x14 : T0206014/2 : T0206014 0/000.460.9118 (u. 1)
59	RIEJU/GASGAS (LEFT/RIGHT) HAND GUARDS KIT (RED) (2012--->) BE94500CT-EKF-1 (u. 1)
	PARAMANOS UNIVERSAL POLISPORT BL.S 2014 <b>OBSOLETE</b> BE94500GG-CAF-1 (u. 1)
	RIEJU/GASGAS (LEFT/RIGHT) POLISPORT HAND GUARDS KIT (WHITE) (2012--->) : BFS945003013, BE94500GG-CAF-1, BE94500CT-CLJ-1 BE90000223012 (u. 1)
60	SET PORTAHEAD-LIGHTSL RACING EC-2014 RED BE90500CT-CAB-1 (u. 1) - <i>HOMOLOGADO</i>
	OBSOLETE : CTO.PORTAFAROS DEL RACING EC-2014 BL. <b>OBSOLETE</b> BE90500CT-CAW-1 (u. 1) - <i>RACING</i>
67	OBSOLETE : STRAIGHT ADHESIVE STRIP (SINGLE FACED) BE10000553012 (u. 1)
69	(ENDURO) NUMBER PLATE RUBBER GROMMET BFS925504510 (u. 1)
75	OBSOLETE : BUTTONHEAD ALLEN BOLT 5x12 T0505012 (u. 1)

Plastic rear



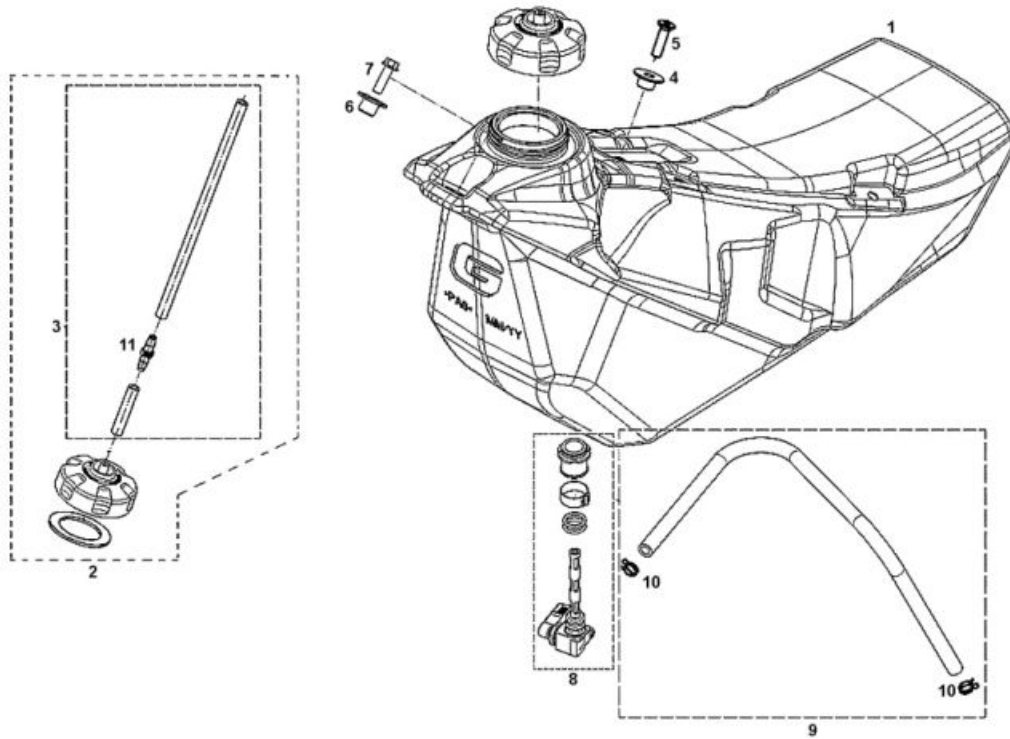
17	(ENDURO) RADIATOR SHROUD BUSHING BE250032060 (u. 1)
	ISO 7380 Torx T-25 SCREW W/ WASHER M5x16 INOX 0/000.460.0083 (u. 1)
22	OBSOLETE : 0/000.460.0083 : BUTTONHEAD ALLEN BOLT 5X16 : T0505016 0/000.460.9155 (u. 1)
	OBSOLETE : 0/000.460.9155 : BUTTONHEAD ALLEN BOLT 5X16 <b>OBSOLETE</b> T0505016 (u. 1)
34	(ENDURO) (REAR) FENDER (BLACK W/ DECAL) RACING (2014) BE93500CT-CAW-1 (u. 1) - RACING CON CALCOMANIA
	REAR MUDGUARD .NG.STANDARD 2014 BE93500CT-CAB-1 (u. 1) - HOMOLOGADO CON CALCOMANIA
	(ENDURO) (REAR) FENDER (BLACK) (2014) BE90000563012 (u. 1)
35	FIXING PLASTIC CAP T90052080004M (u. 1)
37	TT-NUT TRT M5 GEOMET T810599990001 (u. 1)
38	LICENSE PLATE SUPPORT {GASGAS EC/XC 13-17} (BLACK) BE90000083013 (u. 1)
	OBSOLETE : 0/000.460.9146 : ALLEN BOLT 5x25 : T0205025, T0315025 <b>OBSOLETE</b> T0305025 (u. 1)
39	TOR.ESP.M5X25 8.8 ZINC. <b>OBSOLETE</b> T0205025 (u. 1)
	ALLEN BOLT 5x25 : T0205025, T0315025N : T0305025 0/000.460.9146 (u. 1)
40	CONNECTION COVER BE90000153012 (u. 1)
41	LICENSE PLATE MOUNT EC2012 BE90000123012 (u. 1) - HOMOLOGADO

42	OBSOLETE : 0/000.630.9103 : CATADIOPTIC 700R ENDURO 2007 : BQ300234125 <b>OBSOLETE</b> BQ300234125/2 (u. 1) - <i>HOMOLOGADO</i>
	CATADIOPTIC 700R ENDURO 2007 : BQ300234125 : BQ300234125/2 0/000.630.9103 (u. 1)
43	OBSOLETE : 0/000.440.9102 : GRAPA 02110396 SRRM-5 CATADRIOPTICO QUAD : 0508LA <b>OBSOLETE</b> BQ300234126 (u. 1) - <i>HOMOLOGADO</i>
	GRAPA 02110396 SRRM-5 CATADRIOPTICO QUAD : 0508LA : BQ300234126 0/000.440.9102 (u. 1)
44	OBSOLETE : BE93000CT-BSI-1 : RIGHT NUMBER PLATE {RIEJU 2014, 2017} (BLACK) BE92500GG-CAW-1 (u. 1)
	LEFT/RIGHT SIDE NUMBER PLATE {RIEJU 2012-2017} (BLACK) : BE90000103012, BE90000113012, BE925003013, BE930003013, BE93000GG-CAW-1, BE93000CT-EKF-1, BE92500GG-CAW-1, BE92500CT-EKF-1 BE93000CT-BSI-1 (u. 1)
44_	(ENDURO) (RIGHT) NUMBER PLATE (BLACK W/ DECAL) (2014) BE92500CT-CAW-1 (u. 1) - <i>RACING CON CALCOMANIA</i>
	OBSOLETE : BE93000CT-BSI-1 : RIGHT NUMBER PLATE {RIEJU 2014, 2017} (BLACK) BE92500GG-CAW-1 (u. 1)
45_	LEFT/RIGHT SIDE NUMBER PLATE {RIEJU 2012-2017} (BLACK) : BE90000103012, BE90000113012, BE925003013, BE930003013, BE93000GG-CAW-1, BE93000CT-EKF-1, BE92500GG-CAW-1, BE92500CT-EKF-1 BE93000CT-BSI-1 (u. 1)
	OBSOLETE : LEFT NUMBER PLATE *RACING* {RIEJU 2014} (BLACK W/ DECAL) BE93000CT-CAW-1 (u. 1) - <i>RACING CON CALCOMANIA</i>
45	OBSOLETE : BE93000CT-BSI-1 : RIEJU/GASGAS LEFT REAR NUMBER PLATE (2014, 2017) <b>OBSOLETE</b> BE93000GG-CAW-1 (u. 1)
	OBSOLETE : BE93000CT-BSI-1 : RIEJU/GASGAS LEFT REAR NUMBER PLATE (2014, 2017) <b>OBSOLETE</b> BE93000GG-CAW-1 (u. 1)
46	LEFT/RIGHT SIDE NUMBER PLATE {RIEJU 2012-2017} (BLACK) : BE90000103012, BE90000113012, BE925003013, BE930003013, BE93000GG-CAW-1, BE93000CT-EKF-1, BE92500GG-CAW-1, BE92500CT-EKF-1 BE93000CT-BSI-1 (u. 1)
	HEX BOLT 6x20 10.9 : T0206020/2, T0206020/3 : T0206020 0/000.460.9120 (u. 1)
47	TT-BOLT 6x20 T0206020 (u. 1)
	RJ-FLANGE NUT 6926 M6 Cal.8 Z : T2206002, 0/000.340.9117 0/000.340.0170 (u. 1)
48	TT-HEX FLANGE NUT W/ NYLON INSERT M6 DIN-6926 T2206002 (u. 1)
	OBSOLETE : 0/000.340.0170 : HEX FLANGE NUT W/ NYLON INSERT M6 DIN-6926 : T2206002 <b>OBSOLETE</b> 0/000.340.9117 (u. 1)
52	TT-CAGE NUT 6mm T2606000 (u. 1)
	CAGE NUT 6mm : T2606000 0/000.340.9120 (u. 1)
53	HEAD SCREW 5x15: T0205015/2, T0205010 : T0205015 0/000.460.9115 (u. 1)
	OBSOLETE : 0/000.460.9115 : HEAD SCREW 5x15: T0205015/2, T0205010 <b>OBSOLETE</b> T0205015 (u. 1)
54	REAR LIGHT SET {GASGAS EC/XC 08-17} BE250734015 (u. 1)
	OBSOLETE : 0/000.460.9160 : SPECIAL PLASTIC BOLT 4x12 <b>OBSOLETE</b> T0804012 (u. 1)
	SPECIAL PLASTIC BOLT 4x12 : T0804012 0/000.460.9160 (u. 1)



55	REAR LICENSE PLATE HOLDER LIGHT BE250734124 (u. 1) - <i>HOMOLOGADO</i>
56	OBSOLETE : ALLEN BOLT 5x16 : T0305015, 12549474 T0305016 (u. 1) - <i>HOMOLOGADO</i>
57	WASHER 5x12x1.5 : T4005012 0/000.440.9121 (u. 1) TT-WASHER 5x12x1.5 T4005012 (u. 1) - <i>HOMOLOGADO</i>
58	OBSOLETE : 5MM NUT (EXHAUST HEAT SHIELD) T2105001 (u. 1) - <i>HOMOLOGADO</i>
59	CTO. NUMBERPLATE EC-2012 HOMOG. BE90000123012CT (u. 1) - <i>HOMOLOGADO</i>
69	(ENDURO) NUMBER PLATE RUBBER GROMMET BFS925504510 (u. 1)
70	(ENDURO) NUMBER PLATE LOWER BUSHING BE320603013 (u. 1)
76	BUTTONHEAD ALLEN BOLT 5X20 T0505020 (u. 1)

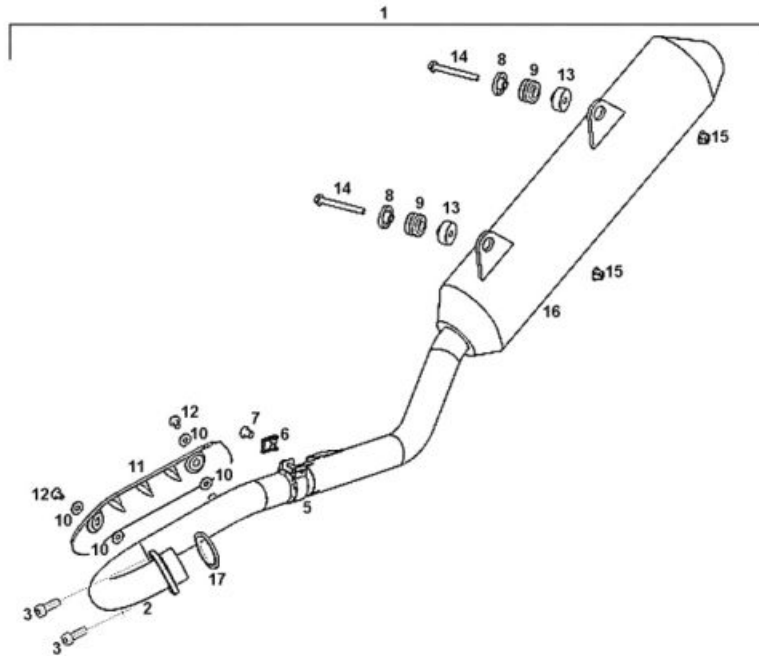
Tank



1	FUEL TANK {GASGAS 4T 2014-2015} BE76000GG-CAK-1 (u. 1)
	CTO.DEP.GASOL.EC-450 4t 2014 <b>OBSOLETE</b> BE76000CM-CAK-1 (u. 1)
2	<b>OBSOLETE</b> : BE76010CT-CAB-1 : (ENDURO) FUEL TANK CAP (2001-2015) : BE250520010, BE250020010 <b>OBSOLETE</b> BE250520010CT (u. 1)
	(ENDURO) GAS CAP KIT+TUBE : BE76010GG-CAB-1, BE250520010CT, BE250520010 BE76010CT-CAB-1 (u. 1)
	TAP.GASOLINA EC 2014 : BE76010GG-CAB-1 0/000.410.9102 (u. 1)
3	<b>OBSOLETE</b> : 0/000.290.9115 : FUEL TANK VENT HOSE 26cm : BE25636004, BT27810018, BT280310018E, G470000 <b>OBSOLETE</b> BT280310018 (u. 1)
	RJ-MR FUEL TANK VENT HOSE 26cm : BE25636004, BT27810018, BT280310018E, G470000 : BT280310018 0/000.290.9115 (u. 1)
4	BUSHING, FUEL TANK BOLT BE761053013 (u. 1)
5	<b>OBSOLETE</b> : C/SUNK ALLEN BOLT 5X20 T0405020 (u. 1)
6	BUSHING, FUEL TANK, ENDURO 2012 BE75000023012 (u. 1)
7	<b>OBSOLETE</b> : 0/000.460.9121 : FLANGE BOLT 6x25 10.9 : T0206025/2 <b>OBSOLETE</b> T0206025 (u. 1)
	FLANGE BOLT 6x25 10.9 : T0206025/2 : T0206025 0/000.460.9121 (u. 1)
8	PETCOCK ASSEMBLY {GASGAS 4T 2014-2015} BE76020GG-CAK-1 (u. 1)
9	GASOLINE HOSE {RIEJU MR} BE780053013 (u. 1)

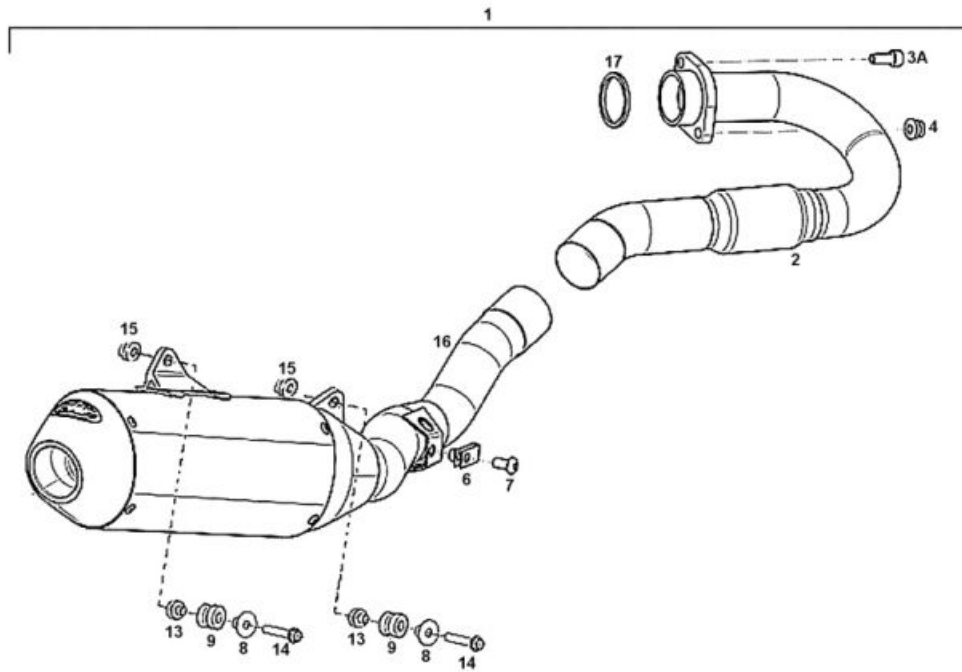
<b>10</b>	OBSOLETE : 0/000.680.9102 : (ENDURO) SPRING CLAMP <b>OBSOLETE</b> BE25610044 (u. 1)
	RJ-MR SPRING CLAMP : BE25610044 0/000.680.9102 (u. 1)
<b>11</b>	(TRIALS) FUEL TANK CHECK VALVE BT27836025 (u. 1)

**Exhaust pipe**



1	EXHAUST SET. 250-300 4T 2014 BE85000CT-CAF-1 (u. 1)
3	RJ-ALLEN BOLT 8x25 T0308025 (u. 1)
5	OBSOLETE : COLLARUNION INTERM-FINAL DIAM 42 EC 250 <b>OBSOLETE</b> BFS862102510 (u. 1)
6	CAGE NUT 8MM BT280010041 (u. 1)
7	OBSOLETE : BUTTONHEAD ALLEN BOLT 8x20 (SKIDPLATE) : T0508022 T0508020 (u. 1)
8	(ENDURO) EXHAUST PIPE BUSHING 25x4 (2013-2017) BE873013013 (u. 1)
9	(ENDURO) SILENCER BLOCK (2001-2017) : G590720, BE25626005 BE250026005 (u. 1)
10	ARNAOF LA GLASMIOF V/III 6X15X2 PROT.ESCA T4006715 (u. 1)
11	OBSOLETE : EXHAUST TUBE PROTECTOR <b>OBSOLETE</b> BFS450526021 (u. 1)
13	(ENDURO) EXHAUSTST PIPE BUSHING 25x9.5 (2013-2017) BE873023013 (u. 1)
14	SPECIAL SCREW 6X55 : T0206055 0/000.460.9127 (u. 1)  OBSOLETE : 0/000.460.9127 : SPECIAL SCREW 6X55 <b>OBSOLETE</b> T0206055 (u. 1)
15	TT-HEX FLANGE NUT W/ NYLON INSERT M6 DIN-6926 T2206002 (u. 1)  RJ-FLANGE NUT 6926 M6 Cal.8 Z : T2206002, 0/000.340.9117 0/000.340.0170 (u. 1)  OBSOLETE : 0/000.340.0170 : HEX FLANGE NUT W/ NYLON INSERT M6 DIN-6926 : T2206002 <b>OBSOLETE</b> 0/000.340.9117 (u. 1)

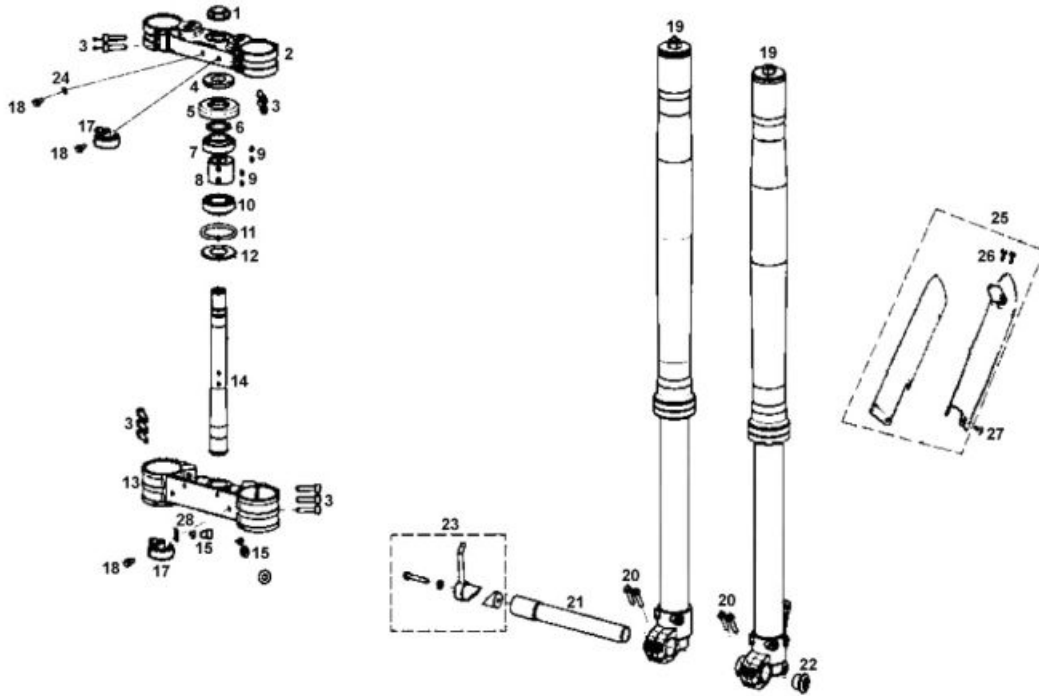
**Exhaust pipe 450**



1	OBSOLETE : EXHAUST SYSTEM CTO. (FMF) 450-4T 2014 <b>OBSOLETE</b> BE85000CT-CAK-1 (u. 1)
2	OBSOLETE : CURVA EXHAUST FMF 450 4T 2015 <b>OBSOLETE</b> BE85000GG-CAK-1 (u. 1)
3	RJ-ALLEN BOLT 8x25 T0308025 (u. 1)
4	CYLINDER NUT M8 ME120116031 (u. 1)
6	CAGE NUT 8MM BT280010041 (u. 1)
7	OBSOLETE : BUTTONHEAD ALLEN BOLT 8x20 (SKIDPLATE) : T0508022 T0508020 (u. 1)
8	(ENDURO) EXHAUST PIPE BUSHING 25x4 (2013-2017) BE873013013 (u. 1)
9	(ENDURO) SILENCER BLOCK (2001-2017) : G590720, BE25626005 BE250026005 (u. 1)
13	(ENDURO) EXHAUST PIPE BUSHING 25x9.5 (2013-2017) BE873023013 (u. 1)
14	OBSOLETE : 0/000.460.9127 : SPECIAL SCREW 6X55 <b>OBSOLETE</b> T0206055 (u. 1) SPECIAL SCREW 6X55 : T0206055 0/000.460.9127 (u. 1)
15	TT-HEX FLANGE NUT W/ NYLON INSERT M6 DIN-6926 T2206002 (u. 1) RJ-FLANGE NUT 6926 M6 Cal.8 Z : T2206002, 0/000.340.9117 0/000.340.0170 (u. 1) OBSOLETE : 0/000.340.0170 : HEX FLANGE NUT W/ NYLON INSERT M6 DIN-6926 : T2206002 <b>OBSOLETE</b> 0/000.340.9117 (u. 1)
16	FMF EXHAUST {GASGAS 4T 2014-2015} BE87000GG-CAK-1 (u. 1)

17	EXHAUST PIPE GASKET {GASGAS 4T 2014-2015} 3VD-14613-01 (u. 1)
----	------------------------------------------------------------------

Front fork



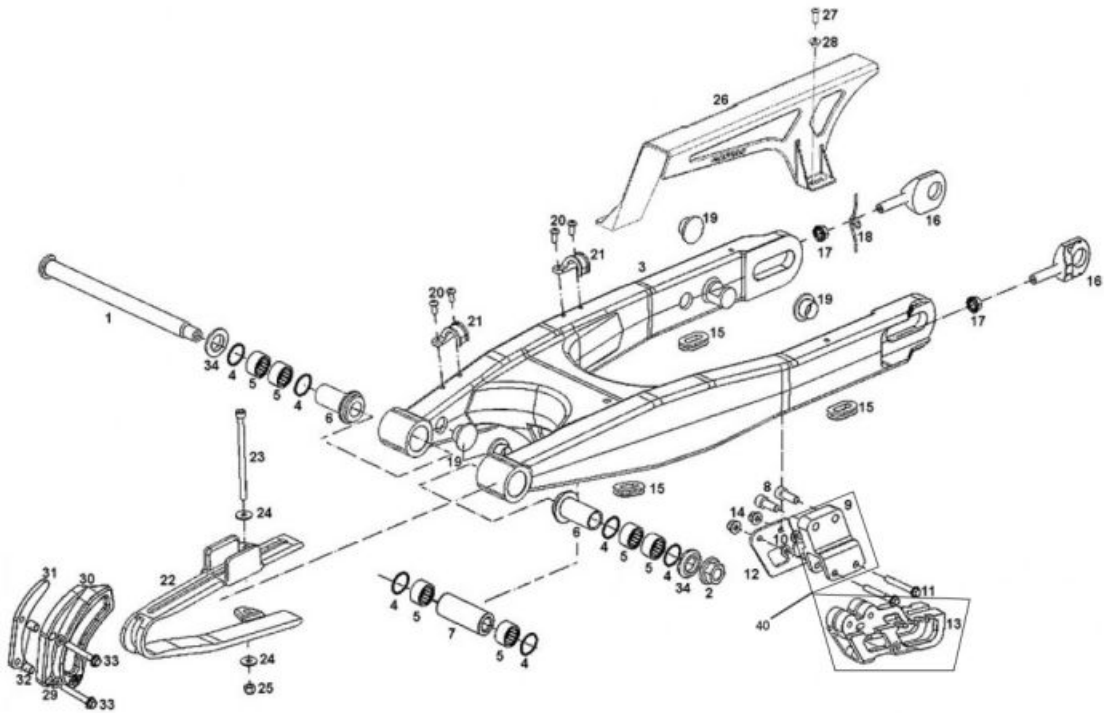
1	RJ-MR STEERING SHAFT NUT : S220730 : BE25610030 0/000.340.9102 (u. 1)
	OBSOLETE : 0/000.340.9102 : (ENDURO) STEERING SHAFT NUT : S220730 <b>OBSOLETE</b> BE25610030 (u. 1)
2	TOP FORK CLAMP BE220002510 (u. 1)
3	OBSOLETE : 0/000.460.9151 : ALLEN BOLT 7x30 <b>OBSOLETE</b> T0307030 (u. 1)
	ALLEN BOLT 7x30 : T0307030 0/000.460.9151 (u. 1)
4	OBSOLETE : 0/000.340.9101 : (ENDURO) LOWER STEERING SHAFT NUT : S220720 <b>OBSOLETE</b> BE25610029 (u. 1)
	RJ-MR LOWER STEERING SHAFT NUT : S220720 : BE25610029 0/000.340.9101 (u. 1)
5	RJ-MR BEARING DUST COVER (WHITE) (STD.2018) : BE25610126 0/000.200.9102 (u. 1)
	OBSOLETE : 0/000.200.9102 : (ENDURO) BEARING DUST COVER (WHITE) (STD.2018) <b>OBSOLETE</b> BE25610126 (u. 1)
6	RJ-MR STEERING WASHER (2018-2019) : S220715 : BE25610028 0/000.440.9101 (u. 1)
	OBSOLETE : 0/000.440.9101 : (ENDURO) STEERING WASHER (2018-2019) : S220715 <b>OBSOLETE</b> BE25610028 (u. 1)
7	OBSOLETE : 0/000.960.9101 : (ENDURO) STEERING BEARING (2018-2018) : C140700 <b>OBSOLETE</b> BE25610008 (u. 1)
	RJ-MR STEERING BEARING (2018-2018) : C140700 : BE25610008 0/000.960.9101 (u. 1)
8	BUSHING STEERING SHAFT BE20000033012 (u. 1)
9	SET SCREW M6X8 BE250310073 (u. 1)

10	RJ-MR STEERING BEARING (2018-2019) : BE250610008 0/000.960.9100 (u. 1)
	OBSOLETE : 0/000.960.9100 : (ENDURO) STEERING BEARING (2018-2019) <b>OBSOLETE</b> BE250610008 (u. 1)
11	OBSOLETE : 0/000.490.9102 : (ENDURO) STEERING O-RING (2018-2019) : C300700, C300701 <b>OBSOLETE</b> BE25610012 (u. 1)
	RJ-MR STEERING O-RING (2018-2019) : C300700, C300701 : BE25610012 0/000.490.9102 (u. 1)
12	RJ-MR STEERING CAP (2018-2019) : BE250610026 0/000.200.9101 (u. 1)
	OBSOLETE : 0/000.200.9101 : (ENDURO) STEERING CAP (2018-2019) <b>OBSOLETE</b> BE250610026 (u. 1)
13	BOTTOM FORK CLAMP EC2010 BE210002510 (u. 1) - 450
	SUSPENSION LOWER CLAMP TIT.DIAM45 EC125 BE210001210 (u. 1) - 250, 300
14	STEERING SHAFT BE250614003 (u. 1)
	OBSOLETE : 0/000.460.9152 : ALLEN BOLT 8X10 <b>OBSOLETE</b> T0308010 (u. 1)
15	ALLEN BOLT 8X10 : T0308010 0/000.460.9152 (u. 1)
	(ENDURO) HOSE GUIDE (WHITE) (2012-2017) BE215202511 (u. 1)
17	OBSOLETE : 0/000.460.9118 : TT-HEX FLANGE BOLT 6x14 : T0206014/2 <b>OBSOLETE</b> T0206014 (u. 1)
	HEX FLANGE BOLT 6x14 : T0206014/2 : T0206014 0/000.460.9118 (u. 1)
18	SUSPENSION, FRT.MARZ.48. RACING 2013 BF200002513 (u. 1) - 250, 300 RACING
	FRONT FORK MZ.45 STANDART 2013 (Y1311298) BE200003013 (u. 1) - 250, 300 HOMOLOGADO
19	FRONT SUSP.MZ.48 RACING 2012 (Y1311297) BE20000014512 (u. 1) - 450
	ALLEN BOLT 6X30 : BE250114144 : T0206030 0/000.460.9123 (u. 1)
20	OBSOLETE : 0/000.460.9123 : ALLEN BOLT 6X30 : BE250114144 <b>OBSOLETE</b> T0206030 (u. 1)
	OBSOLETE : 0/000.190.9102 : (ENDURO) (FRONT) WHEEL AXLE 208CM (2011-CURRENT) <b>OBSOLETE</b> BE53000R3011 (u. 1)
21	RJ-MR (FRONT) WHEEL AXLE 208CM (2011-CURRENT) : BE53000R3011 0/000.190.9102 (u. 1)
	RJ-MR (FRONT) WHEEL AXLE BOLT (2007-2019) : BE250718026 0/000.340.9100 (u. 1)
22	OBSOLETE : 0/000.340.9100 : (ENDURO) (FRONT) WHEEL AXLE BOLT (2007-2019) <b>OBSOLETE</b> BE250718026 (u. 1)
	OBSOLETE : 0/000.980.9123 : (ENDURO) (FRONT) AXLE PULLER <b>OBSOLETE</b> BE536002511 (u. 1)
23	RJ-MR (FRONT) AXLE PULLER : BE536002511 0/000.980.9123 (u. 1)
	OBSOLETE : 0/000.440.9125 : WASHER 6x16x1.5 <b>OBSOLETE</b> T4006016 (u. 1)
24	WASHER 6x16x1.5 : T4006016 0/000.440.9125 (u. 1)



	FORK PROTECTOR {GASGAS EC 2007-2011} (WHITE) BE94600C2511 (u. 1) - 450
25	JUEGO PROT.HORQ.ROJO EC-2011 <b>OBSOLETE</b> BE946002511 (u. 1) - 250, 300
	ENDURO FRONT FORK PROTECTORS {RIEJU 2009-2017} (BLACK) : BE946002509, BE946002511 BE946003013 (u. 1)
26	TORN. ESPECIAL PLASTICO 5X20 RF87T <b>OBSOLETE</b> T0805020 (u. 1)
27	OBSOLETE : SPECIAL SCREW CAP 6X13 SM T0316013 (u. 1)
28	OBSOLETE : 0/000.440.0160 : FLAT WASHER 8x16 : T4008017 <b>OBSOLETE</b> T4008016 (u. 1)
	RJ-FLAT WASHER 8x16 : T4008017, T4008016 0/000.440.0160 (u. 1)

Swingarm

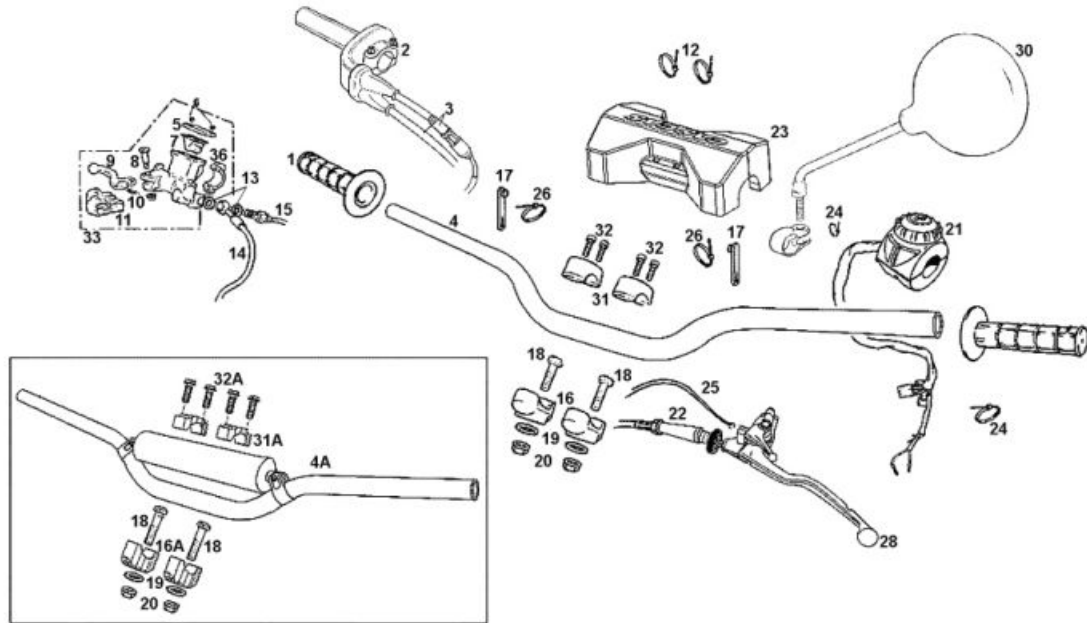


1	SWINGARM AXLE BE44500GG-CAB-1 (u. 1)
2	OBSOLETE : 0/000.340.9103 : (ENDURO) SWINGARM NUT : B260700 <b>OBSOLETE</b> BE25612009 (u. 1) RJ-MR SWINGARM NUT : B260700 : BE25612009 0/000.340.9103 (u. 1)
3	(ENDURO) SWINGARM (BLACK) (2001-2015) : BE12612002, BE250112002, BE25612002, BE25812002 BE250612002RC (u. 1)
4	(ENDURO) O-RING 35x21 (2005-2017) BE250510011 (u. 1)
5	SKF NEEDLE BEARING {GASGAS EC 2001-2017} BE25614010/SKF (u. 1) OBSOLETE : BE25614010 : NEEDLE- BEARING BE25614010/2 (u. 1) NEEDLES BEARING DL2216 : C110700 BE25614010 (u. 1)
6	SWINGARM BUSH BE44515GG-CAB-1 (u. 1)
7	BUSHING 14x22x57 : B360700, BE250310914 BE25612014 (u. 1)
8	ALLEN BOLT 8X20 : T0308020/2 T0308020 (u. 1)
9	ALUMINUM CHAIN GUIDE SUPPORT (GASGAS EC/XC 01-10) BC250221018 (u. 1)
10	WASHER 6x12x1.5 : P220006 : T4006012 0/000.440.9124 (u. 1) TT-WASHER 6x12x1.5 T4006012 (u. 1)

11	HEAD SCREW 6x40 : MFS400116351 : T0206040 0/000.460.9125 (u. 1)
	OBSOLETE : SPECIAL SCREW 6X45 : MFS400116352 T0206045 (u. 1)
12	2004 CROSS CHAIN GUIDE STRAIN PLATE MCSM BC250412032 (u. 1)
13	CROSS CHAIN GUIDE BE420002511 (u. 1)
	CROSS CHAIN GUIDE (RED) BE420002511RO (u. 1)
14	RJ-FLANGE NUT 6926 M6 Cal.8 Z : T2206002, 0/000.340.9117 0/000.340.0170 (u. 1)
	OBSOLETE : 0/000.340.0170 : HEX FLANGE NUT W/ NYLON INSERT M6 DIN-6926 : T2206002 <b>OBSOLETE</b> 0/000.340.9117 (u. 1)
	TT-HEX FLANGE NUT W/ NYLON INSERT M6 DIN-6926 T2206002 (u. 1)
15	SWINGARM PROTECTOR RUBBER BE25836005 (u. 1)
16	OBSOLETE : WHEEL TENSOR : BE250418022, BE25818022, BE250418022CT BFS440004513 (u. 1)
	OBSOLETE : BFS440004513 : WHEEL TENSIONER : BE250418022, BE25618022, BE25818022 BE250418022CT (u. 1)
	OBSOLETE : BFS440004513 : WHEEL TENSOR <b>OBSOLETE</b> BE250418022 (u. 1)
17	OBSOLETE : 0/000.340.9105 : NUT 10x1.5 : ME25616031 <b>OBSOLETE</b> M01613001 (u. 1)
	NUT 10x1.5 : ME25616031 : M01613001 0/000.340.9105 (u. 1)
18	REAR WHEEL TENSION SPRING BE250718122 (u. 1)
19	SWING ARM CAP BE250436001 (u. 1)
20	OBSOLETE : BUTTONHEAD ALLEN BOLT 5x12 T0505012 (u. 1)
21	OBSOLETE : 0/000.630.9101 : (ENDURO) SWINGARM HOSE HOLDER (2018-2019) <b>OBSOLETE</b> BE25612006 (u. 1)
	RJ-SWINGARM HOSE HOLDER {GASGAS EC/XC 18-19} : BE25612006 0/000.630.9101 (u. 1)
22	RJ-CHAIN SLIDER {RIEJU/GASGAS EC/XC} (BLACK) : B530701, BE250112015, BE25612015 BE420502508 (u. 1)
	(ENDURO) CHAIN SLIDER (RED) (2013) BE420502508RO (u. 1)
23	ALLEN BOLT 6x100 T03060100 (u. 1)
24	WASHER 6x18x1.5 : T4006018 0/000.440.9126 (u. 1)
	OBSOLETE : WASHER 6x18x1.5 <b>OBSOLETE</b> T4006018 (u. 1)
25	OBSOLETE : NUT 6mm T2106002 (u. 1)
26	(ENDURO) CHAIN PROTECTOR (BLACK) (2007-2017) : BE250428011 BE250328011 (u. 1) - <i>HOMOLOGADO</i>
27	OBSOLETE : BUTTONHEAD ALLEN BOLT 6x16 T0506016 (u. 1) - <i>HOMOLOGADO</i>
28	(ENDURO) CHAINGUARD BUSHING (2007) BE250720106 (u. 1) - <i>HOMOLOGADO</i>

29	WASHER 6x12x1.5 : P220006 : T4006012 0/000.440.9124 (u. 1)
	TT-WASHER 6x12x1.5 T4006012 (u. 1)
30	PLASTIC GEAR PROTECTOR (BLACK) : BE48600F2511, ME250036121 BE486002508 (u. 1)
31	SPROCKET PROTECTOR BRACKET EC RACING ME25636021R (u. 1)
	GEAR PROTECTOR BRACKET ME25636021 (u. 1)
32	LOAD LIMITER BUSH : ME250036019 0/000.980.9112 (u. 1)
	OBSOLETE : 0/000.980.9112 : LOAD LIMITER BUSH <b>OBSOLETE</b> ME250036019 (u. 1)
33	HEAD SCREW 6x40 : MFS400116351 : T0206040 0/000.460.9125 (u. 1)
34	SWINGARM BUSH TRIM BE44510GG-CAB-1 (u. 1)
40	CHAIN TIGHTER SET : BE25612018CT BE42000CT2509 (u. 1)

Handlebar



RJ-MR HANDLEBAR GRIPS SET (BLACK) : BE261002511, BE250736002, BE250236002 : BE26100GG-EKF-1  
0/000.530.9102 (u. 1)

OBSOLETE : 0/000.530.9103 : (ENDURO) HANDLEBAR PROGRIPS SET (RED/BLACK) (2011-2015)  
BE26100N3010 (u. 1)

OBSOLETE : 0/000.530.9102 : (ENDURO) HANDLEBAR GRIPS SET (BLACK) : BE261002511, BE250736002, BE250236002  
BE26100GG-EKF-1 (u. 1)

1

OBSOLETE : 0/000.530.9103 : (ENDURO) HANDLEBAR RENTHAL GRIPS (GRAY) (GP/SIXDAYS 2018-2019)**OBSOLETE**  
BE26100GG-CRB-1 (u. 1)

RJ-HANDLEBAR RENTHAL GRIPS {GASGAS EC/XC 18-19, MR 20 -} (GRAY) : BE26100GG-CRB-1  
0/000.530.9103 (u. 1)

OBSOLETE : HANDLEBAR PROGRIPS SET (GRAY)  
BE261002511 (u. 1) - *HOMOLOGADO*

2

TWIST GRIP EC 250 4T  
BFS260002510 (u. 1)

3

THROTTLE CABLE, EC 250 4T 2010 3101.96  
BFS785002510 (u. 1)

OBSOLETE : 0/000.170.9100 : (ENDURO) HANDLEBAR (EC 2006-2018) : BE250002511, BE250624001**OBSOLETE**  
BE25000GG-CAB-1 (u. 1) - *HOMOLOGADO*

4

RJ-MR HANDLEBAR (EC 2006-2018) : BE250002511, BE250624001 : BE25000GG-CAB-1  
0/000.170.9100 (u. 1)

RJ-MR HANDLEBAR (EC 2006-2018) : BE250002511, BE250624001 : BE25000GG-CAB-1  
0/000.170.9100 (u. 1)

OBSOLETE : 0/000.170.9100 : (ENDURO) HANDLEBAR (EC 2006-2018) : BE250002511, BE250624001**OBSOLETE**  
BE25000GG-CAB-1 (u. 1) - *RACING*

4

RJ-MR HANDLEBAR (EC 2006-2018) : BE250002511, BE250624001 : BE25000GG-CAB-1  
0/000.170.9100 (u. 1)

OBSOLETE : 0/000.170.9100 : (ENDURO) HANDLEBAR (EC 2006-2018) : BE250002511, BE250624001**OBSOLETE**  
BE25000GG-CAB-1 (u. 1) - *HOMOLOGADO*

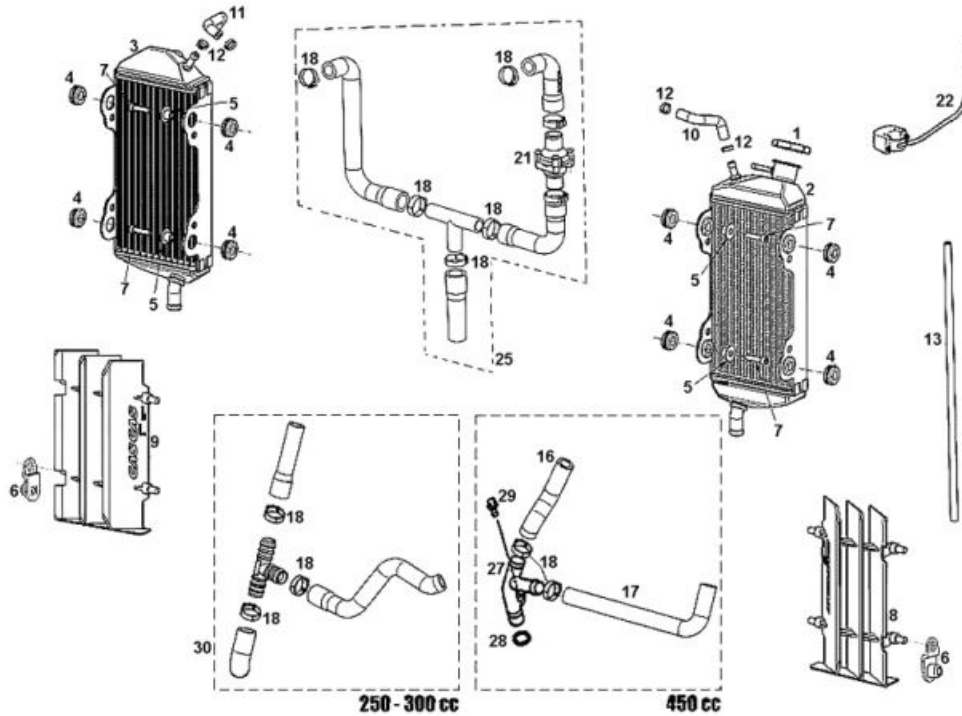
5

(FRONT) BRAKE PUMP COVER  
BC25922210 (u. 1)

6	(FRONT) BRAKE PUMP COVER SCREW BC25922217 (u. 1)
7	NOFOAM RUBBER BC25922216 (u. 1)
8	SPECIAL BRAKE SCREW (2001-2019) BC25922212 (u. 1)
9	RIGHT BRAKE LEVER {GASGAS EC/XC 01-19} : BC250022045 BC250022045R (u. 1)
10	(ENDURO) PUMP LEVER TENSOR BC25922218 (u. 1)
11	DUST COVER BC25922213 (u. 1)
12	ZIP TIE 48x36 : BE25634007 0/000.660.9104 (u. 1) OBSOLETE : 0/000.660.9104 : ZIP TIE 48x36 <b>OBSOLETE</b> BE25634007 (u. 1)
13	RJ-CLUTCH HOSE WASHER 10x4x1 : R330700 BE25622007 (u. 1)
14	FRONT BRAKE HOSE {GASGAS EC/XC} : BE250022002, BE25622002 BE250422002 (u. 1)
15	OBSOLETE : REAR BRAKE PUMP STOP SWITCH {GASGAS EC} : BE250034003, BE250034003/2, BE250334003/2, BE25634003 BE250334003 (u. 1) RJ-INTERRUPTOR 23-016/1 STOP BOMBA NISSIN 3 0/000.720.9104 (u. 1)
16	HANDLEBAR CLAMP (LOWER) BE250614013 (u. 1) - <i>HOMOLOGADO</i>
16_	HANDLEBAR CLAMP (LOWER) BE25750GG-CAB-1 (u. 1) - <i>RACING</i> HANDLEBAR CLAMP (LOWER) BE250614013 (u. 1) - <i>HOMOLOGADO</i>
17	OBSOLETE : 0/000.360.9110 : RUBBER CABLE TIES <b>OBSOLETE</b> BFS450320067 (u. 1) RUBBER CABLE TIES : BFS450320067 0/000.360.9110 (u. 1)
18	OBSOLETE : 0/000.460.9113 : SPECIAL BOLT 10x45 <b>OBSOLETE</b> T0201045 (u. 1) SPECIAL BOLT 10x45 : T0201045 0/000.460.9113 (u. 1)
19	WASHER 35x30x10 BE250314035 (u. 1)
20	OBSOLETE : 0/000.340.9105 : NUT 10x1.5 : ME25616031 <b>OBSOLETE</b> M01613001 (u. 1) NUT 10x1.5 : ME25616031 : M01613001 0/000.340.9105 (u. 1)
21	LIGHT SWITCH {GASGAS 11-17} : EE602002510 EE60200GG-EKK-1 (u. 1) CONMUTADOR LUCES EC-2010 ARRAN.ELEC. <b>OBSOLETE</b> EE602002510 (u. 1)
22	CTO. CLUTCH CABLE. BE47000GG-CAK-1 (u. 1) - <i>RACING</i> CLUTCH CABLE SET EC 250 4T 2010 (RIEJU) BFS47000CT2510 (u. 1) - <i>HOMOLOGADO</i>
23	HANDLEBAR STEERING PROTECTION : BE250624004 BE250724004 (u. 1)

24	OBSOLETE : 0/000.660.9106 : (ENDURO) SHORT UNEX CLAMP 2.5x98 <b>OBSOLETE</b> BE25634010 (u. 1)
	RJ-MR SHORT UNEX CLAMP 2.5x98 : BE25634010 0/000.660.9106 (u. 1)
25	STARTER CABLE : BFS256012510 5UM-26334-EO (u. 1)
26	TT-UNEX CLAMP 4.8x20 BE25634009 (u. 1)
	UNEX CLAMP ZIP TIE : BE25634009 0/000.660.9105 (u. 1)
28	OBSOLETE : (ENDURO) COMPLETE CLUTCH HANDLE WITH CHOKE LEVER (4T) (2014-2015) <b>OBSOLETE</b> BFS46000CT2510 (u. 1)
30	OBSOLETE : 0/000.990.9100 : (LEFT) REAR VIEW MIRROR : 1610010211 <b>OBSOLETE</b> L300760 (u. 1) - <i>HOMOLOGADO</i>
	REAR VIEW MIRROR SET : 1610010211, L300760 : BT29000GG-CKR-1 0/000.990.9100 (u. 1)
	OBSOLETE : 0/000.990.9100 : REAR VIEW MIRROR SET : 1610010211, L300760 <b>OBSOLETE</b> BT29000GG-CKR-1 (u. 1)
31_	HANDLEBAR CLAMP (UPPER) BE250614012 (u. 1) - <i>HOMOLOGADO</i>
	HANDLEBAR CLAMP (UPPER)1 BE25700GG-CAB-1 (u. 1) - <i>RACING</i>
31	HANDLEBAR CLAMP (UPPER) BE250614012 (u. 1) - <i>HOMOLOGADO</i>
32_	TAPERED ALLEN SCREW 8x40 T0308040 (u. 1) - <i>HOMOLOGADO</i>
	OBSOLETE : CLAMP SCREW T0208040 (u. 1) - <i>RACING</i>
	TAPERED ALLEN SCREW 8x40 T0308040 (u. 1) - <i>HOMOLOGADO</i>
32	TAPERED ALLEN SCREW 8x40 T0308040 (u. 1) - <i>HOMOLOGADO</i>
33	RJ-MR BRAKE PUMP DEL.NISSIN=BC25922008/2 : BC25922008 0/000.820.9106 (u. 1)
	OBSOLETE : 0/000.820.9106 : (ENDURO) BRAKE MASTER CYLINDER (2001-2019): BC25922008 <b>OBSOLETE</b> BC25922008/2 (u. 1)

**Radiator**

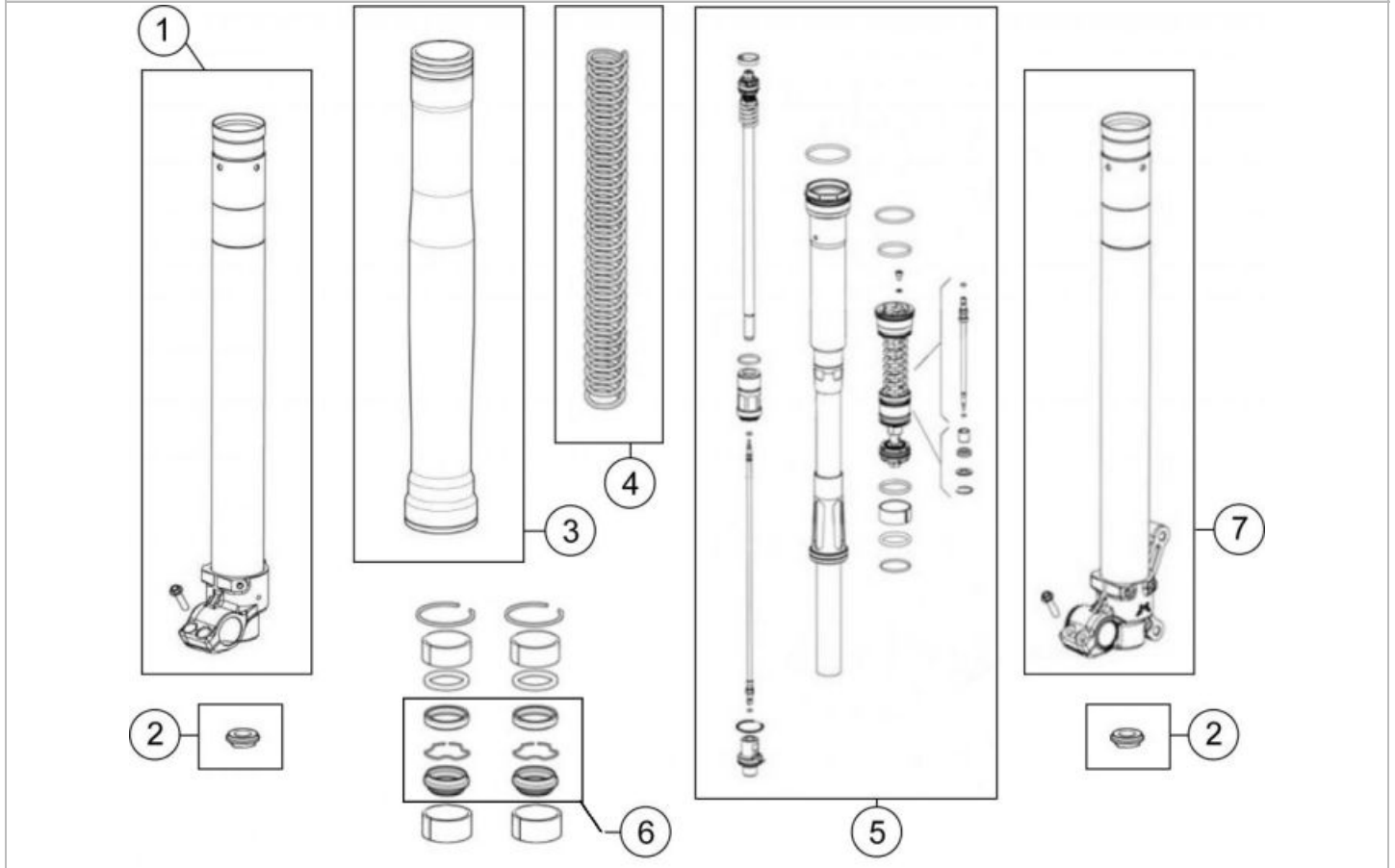


1	RADIATOR CAP BEHR 1.8 : BFS400132032, BFS450732032, L200110 BFS701504509 (u. 1)
2	(ENDURO) (LEFT) RADIATOR 4T (213.121) (2014-2015) : BFS700504513/2 BFS700504513 (u. 1)
3	(ENDURO) (RIGHT) RADIATOR 4T (2010-2015) : BFS700012510/2, BFS700002510 BFS700012510 (u. 1)
4	(ENDURO) RADIATOR SILENBLOCK GROMMET : G210700 BIE500132031 (u. 1)
5	(ENDURO) LOWER RADIATOR HOLDER BUSHING (2002-2017) BE25832040 (u. 1)
6	RADIATOR SIDE PLASTIC BE25632015 (u. 1)
7	HEX BOLT 6x20 10.9 : T0206020/2, T0206020/3 : T0206020 0/000.460.9120 (u. 1)
	ALLEN BOLT 6x20 : T0316018/2, T0316018 T0306020 (u. 1)
	TT-BOLT 6x20 T0206020 (u. 1)
	HEX BOLT 6x20 10.9 : T0206020/2, T0206020/3 : T0206020 0/000.460.9120 (u. 1)
8	TT-BOLT 6x20 T0206020 (u. 1)
	LEFT RADIATOR GRID (WHITE) : BE730502510 BE250720001 (u. 1)
9	(ENDURO) (RIGHT) RADIATOR GRID (WHITE) : BE730602510 BE250720002 (u. 1)
10	RADIATOR HOSE LEFT BE70000023012 (u. 1)
11	(RIGHT) RADIATOR HOSE BE70000013012 (u. 1)



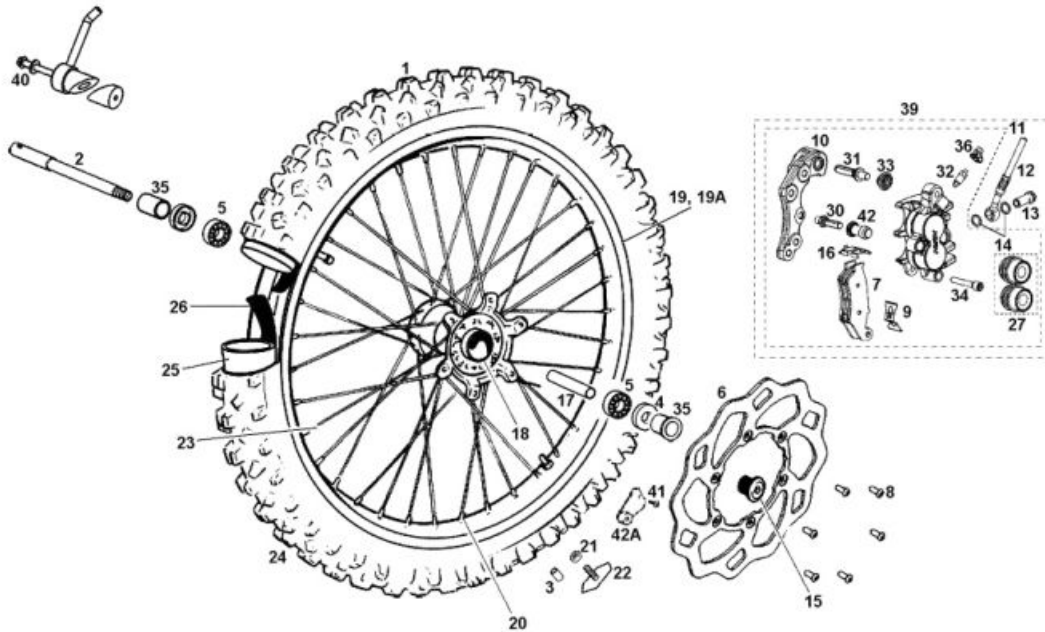
12	8 W4 CONDUCTO ACEITE MFS400110031 (u. 1)
13	RJ-MR RADIATOR BREATHER HOSE 5X8 39CM (2018-2019) : BE25632009 0/000.290.9117 (u. 1) OBSOLETE : 0/000.290.9117 : (ENDURO) RADIATOR BREATHER HOSE 5X8 39CM (2018-2019) <b>OBSOLETE</b> BE25632009 (u. 1)
18	HOSE CLAMP 22mm L200038 (u. 1)
21	(ENDURO) THERMOSTAT (2018-2019) BE250432070 (u. 1)
22	KILL BUTTON, CDI TRIAL PRO 2010 ET511902810 (u. 1)
25	HOSE, CYLINDER HEAD TO RADIATOR BFS71200CT2511 (u. 1) - 250, 300
27	PIPE 2 2S2-12482-00 (u. 1)
28	OBSOLETE : O-RING {2013-2015} <b>OBSOLETE</b> 93210-16500 (u. 1)
30	WATER PUMP HOSE SET, EC250 4T 2010 BFS71050CT2510 (u. 1)

Replacement front fork racing



1	(ENDURO) (RIGHT) MARZ. COMPLETE SUSPENSION BAR 819578/R (u. 1)
2	NUT FIJ.SM RACING 521257CH/P (u. 2)
3	GR.TUBE NE D 48 RIC. 760204LA/C (u. 1)
4	KIT SPRING Y5142051 K4.4 D.48 8501647/C (u. 1)
	KIT SPRING Y5142052 K4.6 D.48 8501648/C (u. 1)
	OBSOLETE : KIT SPRING Y5142050 K4.2 D.48 <b>OBSOLETE</b> 8501645/C (u. 1)
	Cannon Racecraft - FRONT FORK SPRINGS 0.48 RATE (48-KYB) (QTY.2) {GASGAS/RIEJU 18->} 4445348 (u. 1)
	OBSOLETE : KIT SPRING Y5142054 K 5.0 D.48 <b>OBSOLETE</b> 8501650/C (u. 1)
	GR.BOCOLA PORTATENUETE 804425/R (u. 1)
5	CARTRIDGE COMP.D48 F/A-F/R 8032082/P (u. 2)
6	OBSOLETE : KIT SEAL + DUSTKEEPER D.48 USD 8501639/C (u. 1)
7	(ENDURO) (LEFT) MARZ. COMPLETE SUSPENSION BAR 819579/R (u. 1)

Front wheel



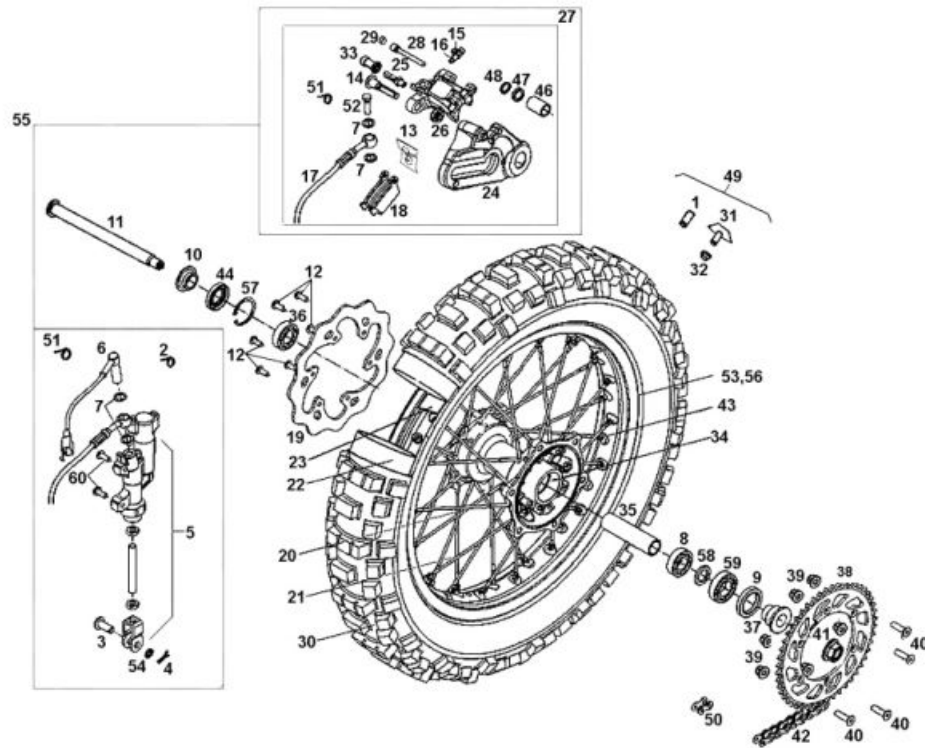
1	<p>OBSOLETE : FRONT WHEEL (RIMSPOKESHUB)<b>OBSOLETE</b> BE50000CT-CAW-1 (u. 1) - RACING</p> <p>CTO.RUEDA DEL.EC STANDARD 2014 <b>OBSOLETE</b> BE50000CT-CAB-1 (u. 1) - HOMOLOGADO</p>
2	<p>RJ-MR (FRONT) WHEEL AXLE 208CM (2011-CURRENT) : BE53000R3011 0/000.190.9102 (u. 1)</p> <p>OBSOLETE : 0/000.190.9102 : (ENDURO) (FRONT) WHEEL AXLE 208CM (2011-CURRENT)<b>OBSOLETE</b> BE53000R3011 (u. 1) - RACING</p> <p>FRONT WHEEL AXIS (GASGAS EC 2007-2015) BC250718017 (u. 1) - HOMOLOGADO</p>
3	<p>OBSOLETE : 0/000.480.9112 : (ENDURO) (FRONT) WHEEL HOLDING BUSHING 8X12X12 : BE250518048/2, BE250518048<b>OBSOLETE</b> BE555102510 (u. 1)</p> <p>RJ-MR (FRONT) WHEEL HOLDING BUSHING 8X12X12 : BE250518048/2, BE250518048 : BE555102510 0/000.480.9112 (u. 1)</p>
4	<p>FRONT WHEEL GASKET {GASGAS EC/XC} BE250418057 (u. 1)</p>
5	<p>(ENDURO) (FRONT) WHEEL BEARING ME120136055 (u. 1)</p>
6	<p>OBSOLETE : 0/001.090.9107 : (ENDURO) (FRONT) BRAKE DISK WAVE GALFER 0913 : R400700, BE520002510, BE25622011, <b>OBSOLETE</b> BE250222011 BE520002509 (u. 1)</p> <p>OBSOLETE : 0/001.090.9107 : RJ-FRONT BRAKE ROTOR {GASGAS EC/XC 18-19, RIEJU MR 21-&gt;} : BE520002509 : BE52000GG-CLJ-1<b>OBSOLETE</b> 0/001.090.9105 (u. 1)</p> <p>OBSOLETE : 0/001.090.9107 : (ENDURO) (FRONT) BRAKE DISC (2018-2019) : BE520002509<b>OBSOLETE</b> BE52000GG-CLJ-1 (u. 1)</p> <p>FRONT BRAKE DISC 260mm {RIEJU MR}: BE520002509 : BE52000GG-CLJ-1 : 0/001.090.9105 : BE52000N3011 0/001.090.9107 (u. 1)</p>

	RJ-FRONT BRAKE PADS *ORGANIC* {GASGAS 02-18/RIEJU MR 21->} BE620652508 (u. 1) - <i>NISSIN</i>
	OBSOLETE : EBC Brakes - FRONT BRAKE PADS *CARBON X* {RIEJU 2001--->} FA185X (u. 1)
	OBSOLETE : EBC Brakes - FRONT BRAKE PADS *SINERED* {RIEJU 2001--->} FA185R (u. 1)
7	RJ-FRONT BRAKE PADS *SINTERED* {GASGAS 02-18/RIEJU MR 21->} BE620652508/1 (u. 1) - <i>GALFER</i>
	Galfer - FRONT BRAKE PADS *PREMIUM* {GASGAS EC/XC 01-19, RIEJU MR 21 ->} FD164G1651 (u. 1)
	Galfer - FRONT BRAKE PADS *SINTERED* {GASGAS EC/XC 01-19, RIEJU MR 21 ->} FD164G1396 (u. 1)
	Galfer - FRONT BRAKE PADS {GASGAS EC/XC 01-19, RIEJU MR 21 ->} (ORGANIC) FD164G1054 (u. 1)
8	TORX SCREW 6x14 T0566014 (u. 1)
9	(ENDURO) (FRONT) BRAKE PADS HOLDER BRACKET (A) : BE250022063 BE620112508 (u. 1)
10	(ENDURO) (FRONT) CALIPER SUPPORT W/ BRAKE PAD BRACKET : BE250022110 BE620102508 (u. 1)
11	OBSOLETE : 0/000.860.9101 : (ENDURO) (FRONT) BRAKE CALIPER (2008-2019) <b>OBSOLETE</b> BE250722000 (u. 1)
	RJ-MR (FRONT) BRAKE CALIPER (2008-2019) : BE250722000 0/000.860.9101 (u. 1)
12	FRONT BRAKE HOSE {GASGAS EC/XC} : BE250022002, BE25622002 BE250422002 (u. 1)
13	HOSE HOLDER BOLT 10x125 : BE25622030 BC25722006 (u. 1)
14	RJ-CLUTCH HOSE WASHER 10x4x1 : R330700 BE25622007 (u. 1)
15	RJ-MR (FRONT) WHEEL AXLE BOLT (2007-2019) : BE250718026 0/000.340.9100 (u. 1)
	OBSOLETE : 0/000.340.9100 : (ENDURO) (FRONT) WHEEL AXLE BOLT (2007-2019) <b>OBSOLETE</b> BE250718026 (u. 1)
16	FRONT BRAKE PADS HOLDER BRACKET (B) {GASGAS/RIEJU} : BE250022064 BE620122508 (u. 1)
17	RJ-MR FRONT WHEEL SPACER BE250418058 (u. 1)
18	FRONT WHEEL HUB 25mm 334.00.220c {GASGAS 2004-2014} BE250418007 (u. 1) - <i>HOMOLOGADO</i>
	RJ-FRONT WHEEL HUB {GASGAS 14-19/RIEJU 20} BE54110GG-CAB-1 (u. 1) - <i>RACING</i>
19	OBSOLETE : BE54001R2509 : RIM,FR,1.60X21 <b>OBSOLETE</b> BE54000GG-CAW-1 (u. 1) - <i>RACING</i>
	OBSOLETE : 0/000.230.9101 : (ENDURO) (FRONT) EXCEL RIM (BLACK) (2001-2019) : BE54000R2509 <b>OBSOLETE</b> BE54001R2509 (u. 1)
	RIML.SPOKES-MOUNTED 1.60X21 EC-2013 BE540003013 (u. 1) - <i>HOMOLOGADO</i>
	RJ-MR (FRONT) EXCEL RIM (BLACK) (2001-2019) : BE54000R2509 : BE54001R2509 0/000.230.9101 (u. 1)

19	OBSOLETE : 0/000.230.9101 : (ENDURO) (FRONT) EXCEL RIM (BLACK) (2001-2019) : BE54000R2509 <b>OBSOLETE</b> BE54001R2509 (u. 1)
	(ENDURO) (FRONT) WHEEL RIM + HUB + SPOKES (BLACK) MOUNTED BE54000CT-CAW-1 (u. 1) - RACING CON RADIO
	OBSOLETE : WHEEL W/SPOKES, FRT. 1.60X21 EC-2013 BE540003013CT (u. 1) - HOMOLOGADO CON RADIO
	RIML.SPOKES-MOUNTED 1.60X21 EC-2013 BE540003013 (u. 1) - HOMOLOGADO
	OBSOLETE : BE54001R2509 : RIM,FR,1.60X21 <b>OBSOLETE</b> BE54000GG-CAW-1 (u. 1) - RACING
RJ-MR (FRONT) EXCEL RIM (BLACK) (2001-2019) : BE54000R2509 : BE54001R2509 0/000.230.9101 (u. 1)	
20	FRONT WHEEL SPOKE {GASGAS EC/XC} : BE250218009, BE542012508 BE542002508 (u. 1)
	OBSOLETE : BE542002508 : FRONT SPOKE NUT : BE250218010 BE250218010/3 (u. 1)
	TUERCA RADIO DEL <b>OBSOLETE</b> BE250218010 (u. 1)
21	TT-NYLOCK NUT 8mm T2108001 (u. 1)
	NYLOC NUT 8mm : T2108001, T2108001/2 0/000.340.9114 (u. 1)
22	RJ-MR (FRONT) TIRE HOLDER : BE505002509 0/000.220.9114 (u. 1)
	OBSOLETE : 0/000.220.9114 : (ENDURO) (FRONT) TIRE HOLDER <b>OBSOLETE</b> BE505002509 (u. 1)
23	FRONT WHEEL SPOKE {GASGAS EC/XC} : BE250218009, BE542012508 BE542002508 (u. 1) - HOMOLOGADO
	(ENDURO) (FRONT) WHEEL SPOKE (BLACK) BE54200GG-CAW-1 (u. 1) - RACING
24	RJ-FRONT COMPLETE WHEEL *RIM, HUB, SPOKES, 90/90-21 MICHELIN TIRE* {GASGAS EC/XC/SIX-DAYS 11-17} : BE501002511 0/000.510.9100 (u. 1)
	OBSOLETE : 0/000.510.9100 : (ENDURO) (FRONT) TIRE 90/90-21 MICHELIN (2011-2019) <b>OBSOLETE</b> BE501002511 (u. 1)
25	RJ-MR (FRONT) TIRE AIR HOSE 21 METZELER : BE25618001, BE25618001/2, N120700, N120000, N120000/2 : BE502002511 0/000.520.9100 (u. 1)
	OBSOLETE : 0/000.520.9100 : (ENDURO) (FRONT) TIRE AIR HOSE 21 METZELER : BE25618001, BE25618001/2, N120700, N120000, N120000/2 <b>OBSOLETE</b> BE502002511 (u. 1)
26	OBSOLETE : 0/000.220.9108 : (ENDURO) (FRONT) TIRE RIM BAND : BE25618028, N100000, N100000/2 <b>OBSOLETE</b> BE503002511 (u. 1)
	RJ-MR (FRONT) TIRE RIM BAND : BE25618028, N100000, N100000/2 : BE503002511 0/000.220.9108 (u. 1)
27	(ENDURO) (FRONT) BRAKE CALIPER PISTON (2008-2019) BE620422508 (u. 1)
30	(ENDURO) (FRONT) BRAKE CALIPER BOLT (2001-2019) BE250022034 (u. 1)
31	OBSOLETE : BE250022092 : FRONT BRAKE CALIPER A BOLT <b>OBSOLETE</b> BE250022043 (u. 1)
	(ENDURO) GUIDE SCREW (2018-2019) : BE250022043 BE250022092 (u. 1)
32	(ENDURO) (FRONT) BRAKE BLEEDER SET BE620602508 (u. 1)
33	(ENDURO) DUST COVER (2001-2019) BE620682508 (u. 1)

34	(ENDURO) (FRONT) BRAKE PADS PIN BE250022041 (u. 1)
35	RJ-MR FRONT WHEEL SPACER INSIDE BRAKE DISC : BC250418019 0/000.480.9100 (u. 1) OBSOLETE : 0/000.480.9100 : (FRONT) WHEEL SPACER INSIDE BRAKE DISC <b>OBSOLETE</b> BC250418019 (u. 1)
36	(ENDURO) RUBBER BLEEDER CAP (2001-2019) BE250022055 (u. 1)
39	RJ-MR (FRONT) BRAKE SET (EC, GP, SIX-DAYS) : BC250322108, BC250422108, BE250322108 : BE250422108 0/000.820.9107 (u. 1) OBSOLETE : 0/000.820.9107 : 0/000.820.9107 : (ENDURO) (FRONT) BRAKE SET (EC, GP, SIX-DAYS) : BC250322108, BC250422108, <b>OBSOLETE</b> BE250322108 BE250422108 (u. 1)
40	RJ-MR (FRONT) AXLE PULLER : BE536002511 0/000.980.9123 (u. 1) OBSOLETE : 0/000.980.9123 : (ENDURO) (FRONT) AXLE PULLER <b>OBSOLETE</b> BE536002511 (u. 1)
41	OBSOLETE : (TRIALS) CLUTCH BOLT (12 POINT) 4x10 <b>OBSOLETE</b> MT280332077 (u. 1) - <i>HOMOLOGADO</i>
42	OBSOLETE : MAGNET SUPPORT SET {GASGAS EC 2001-2019} : BE250022039 BE620692508 (u. 1)
42_	OBSOLETE : MAGNET SUPPORT SET {GASGAS EC 2001-2019} : BE250022039 BE620692508 (u. 1) SET MAGNETIC KM EC : BE250334008 BP120734008CT (u. 1) - <i>HOMOLOGADO</i>

Rear wheel



1	RJ-MR (FRONT) WHEEL HOLDING BUSHING 8X12X12 : BE250518048/2, BE250518048 : BE555102510 0/000.480.9112 (u. 1)
	OBSOLETE : 0/000.480.9112 : (ENDURO) (FRONT) WHEEL HOLDING BUSHING 8X12X12 : BE250518048/2, BE250518048 <b>OBSOLETE</b> BE555102510 (u. 1)
2	OBSOLETE : 0/000.660.9104 : ZIP TIE 48x36 <b>OBSOLETE</b> BE25634007 (u. 1)
	ZIP TIE 48x36 : BE25634007 0/000.660.9104 (u. 1)
3	OBSOLETE : 0/000.840.9101 : (ENDURO) (REAR) BRAKE PEDAL PIN 8x20 <b>OBSOLETE</b> BE25622026 (u. 1)
	RJ-MR (REAR) BRAKE PEDAL PIN 8x20 : BE25622026 0/000.840.9101 (u. 1)
4	OBSOLETE : 0/000.840.9102 : (ENDURO) (REAR) BRAKE PEDAL PIN STOPPER 2x20 <b>OBSOLETE</b> BE25622027 (u. 1)
	RJ-MR (REAR) BRAKE PEDAL PIN STOPPER 2x20 : BE25622027 0/000.840.9102 (u. 1)
5	(ENDURO) (REAR) BRAKE PUMP (NISSIN) (2009-2017) BE660002509 (u. 1)
6	OBSOLETE : REAR BRAKE PUMP STOP SWITCH {GASGAS EC} : BE250034003, BE250034003/2, BE250334003/2, BE25634003 BE250334003 (u. 1)
	RJ-INTERRUPTOR 23-016/1 STOP BOMBA NISSIN 3 0/000.720.9104 (u. 1)
7	RJ-CLUTCH HOSE WASHER 10x4x1 : R330700 BE25622007 (u. 1)
8	BEARING 64042RSR C180700 (u. 1)
9	(ENDURO) (REAR) WHEEL SEAL BE250318055 (u. 1)

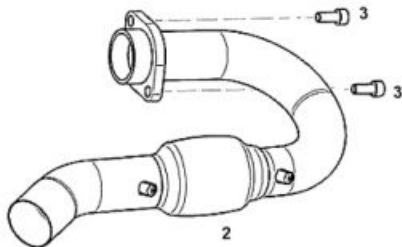
10	OBSOLETE : 0/000.480.9104 : (ENDURO) (REAR) SHORT WHEEL SPACER : R600701 <b>OBSOLETE</b> BE250018025 (u. 1)
	RJ-REAR SHORT WHEEL SPACER : R600701 : BE250018025 0/000.480.9104 (u. 1)
11	(ENDURO) (REAR) WHEEL AXIS (2001-2017) BE25618020 (u. 1)
12	OBSOLETE : 0/000.460.9118 : TT-HEX FLANGE BOLT 6x14 : T0206014/2 <b>OBSOLETE</b> T0206014 (u. 1)
	HEX FLANGE BOLT 6x14 : T0206014/2 : T0206014 0/000.460.9118 (u. 1)
13	REAR BRAKE PAD BRACKET (B) {GASGAS EC/XC} BE250022091 (u. 1)
14	(ENDURO) (REAR) BRAKE CALIPER HOLDER SCREW BE250022096 (u. 1)
15	(ENDURO) RUBBER BLEEDER CAP (2001-2019) BE250022055 (u. 1)
16	(ENDURO) (REAR) BRAKE BLEEDER : BE250022038 BE250022060 (u. 1)
17	(ENDURO) (REAR) BRAKE HOSE (NISSIN) BE661002509 (u. 1)
18	OBSOLETE : RJ-REAR BRAKE PADS *SINTERED G1396* {GASGAS EC/XC 09-19/RIEJU MR 21->} <b>OBSOLETE</b> BE675002509/1 (u. 1) - <i>GALFER</i>
	RJ-REAR BRAKE PADS *NISSIN* {GASGAS EC/XC 09-19/RIEJU MR 21->} BE675002509 (u. 1) - <i>NISSIN</i>
	Galfer - REAR BRAKE PADS *ORGANIC* {GASGAS EC/XC 09-19, RIEJU MR 21 → } FD286G1054 (u. 1)
	OBSOLETE : EBC Brakes - REAR BRAKE PADS *MX-S FORMULA* {GASGAS EC 2009-2019 /RIEJU 2021--->} MXS367 (u. 1)
	Galfer - REAR BRAKE PADS {GASGAS EC/XC 09-19, RIEJU MR 21 → } (HH SINTERED) FD286G1396 (u. 1)
19	ENDURO REAR DISC BRAKE {GASGAS EC/XC 10-17} BE570002509 (u. 1)
	Galfer - REAR DISC WAVE BRAKE ROTOR {GASGAS EC/XC 01-19, RIEJU MR 21 → } DF678WLL (u. 1)
20	(ENDURO) (REAR) WHEEL SPOKE 192x4.5 (BLACK) (BRAKE SIDE 18") BE59200GG-CAW-1 (u. 1)
21	(ENDURO) (REAR) WHEEL SPOKE 188x4.5 (BLACK) (CROWN SIDE 18") BE59210GG-CAW-1 (u. 1)
22	RJ-MR (REAR) AIR HOSE ME-CR18F NHS M/CV1-09-1 : BE25618004, N180705 : BE552002511 0/000.520.9102 (u. 1)
	OBSOLETE : 0/000.520.9102 : (ENDURO) (REAR) AIR HOSE ME-CR18F NHS M/CV1-09-1 : BE25618004, N180705 <b>OBSOLETE</b> BE552002511 (u. 1)
23	OBSOLETE : 0/000.220.9110 : (ENDURO) (REAR) WHEEL RIM BAND : BE25618003, N160700 <b>OBSOLETE</b> BE553002511 (u. 1)
	RJ-MR (REAR) WHEEL RIM BAND : BE25618003, N160700 : BE553002511 0/000.220.9110 (u. 1)
24	(ENDURO) (REAR) CALIPER SUPPORT BE671002509 (u. 1)
25	(ENDURO) (FRONT) BRAKE CALIPER BOLT (2001-2019) BE250022034 (u. 1)
26	(ENDURO) DUST COVER (2001-2019) : BE250022093, BE620682508 BE675802509 (u. 1)
27	RJ-MR (REAR) BRAKE SET (2009-2019) : BE67000CT2509 0/000.860.9102 (u. 1)
	OBSOLETE : 0/000.860.9102 : (ENDURO) (REAR) BRAKE SET (2009-2019) <b>OBSOLETE</b> BE67000CT2509 (u. 1)



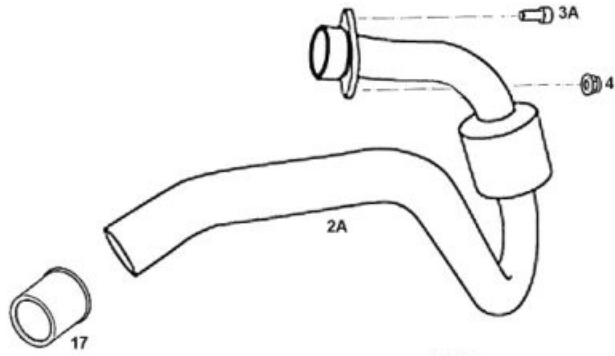
28	REAR BRAKE PADS PIN {GASGAS} : BE575902511 BE250022094 (u. 1)
29	(ENDURO) (REAR) BRAKE NISSIN PROTECTOR PIN BE250022095 (u. 1)
30	RJ-REAR TIRE 140/80-18 M/C 70M M+S METZELER (2011-2019) : BE551002511 0/000.510.9102 (u. 1) OBSOLETE : 0/000.510.9102 : (ENDURO) (REAR) TIRE 140/80-18 M/C 70M M+S METZELER (2011-2019) <b>OBSOLETE</b> BE551002511 (u. 1)
31	RJ-MR (REAR) TIRE HOLDER (2001-2019) : R520003, BE25618008/3, BE25618008, BE250218008 : BE555002509 0/000.220.9115 (u. 1) OBSOLETE : 0/000.220.9115 : (ENDURO) (REAR) TIRE HOLDER (2001-2019) : R520003, BE25618008/3, BE25618008, BE250218008 <b>OBSOLETE</b> BE555002509 (u. 1)
32	TT-NYLOCK NUT 8mm T2108001 (u. 1) NYLOC NUT 8mm : T2108001, T2108001/2 0/000.340.9114 (u. 1)
33	OBSOLETE : MAGNET SUPPORT SET {GASGAS EC 2001-2019} : BE250022039 BE620692508 (u. 1) PROTECC.TORN.002.C49.011 <b>OBSOLETE</b> BE250022039 (u. 1)
34	REAR WHEEL HUB BE59100GG-CAB-1 (u. 1)
35	ALUMINIUM REAR WHEEL SPACER R575700 (u. 1)
36	WHEEL BEARING : C160700 C160001 (u. 1)
37	(ENDURO) LONG WHEEL SPACER BE250318021 (u. 1)
38	OBSOLETE : 0/000.500.9101 : (ENDURO) (REAR) WHEEL CHAIN SPROCKET Z48 : BE250418034/3, BE25618034N, BE250418034N, <b>OBSOLETE</b> BE250418034, BC25718024, 00060062-0 BE573002511 (u. 1) - RACING Z40 SPROCKET BE250118125SM (u. 1) - HOMOLOGADO 250, 300 Dirt Tricks - ENDURO REAR *50T* SPROCKET {RIEJU/SWM RS} HV50 (u. 1) Renthal - ENDURO REAR *50T* SPROCKET {RIEJU/SWM} 216U-520-50GPSI (u. 1) OBSOLETE : 0/000.500.9102 : (ENDURO) (REAR) WHEEL CHAIN SPROCKET Z50 (TITANIUM) <b>OBSOLETE</b> BE57300GG-CAF-1 (u. 1) - HOMOLOGADO RJ-MR REAR 50 TOOTH SPROCKET (2001-->) : BE57300GG-CAF-1 0/000.500.9102 (u. 1) RJ-MR REAR 48 TOOTH SPROCKET {GASGAS 01->} : BE250418034/3, BE25618034N, BE250418034N, BE250418034, BC25718024, 00060062-0 : BE573002511 0/000.500.9101 (u. 1) Renthal - ENDURO REAR *48T* SPROCKET {RIEJU/SWM} 216U-520-48GPSI (u. 1) DDC Racing - (REAR) 48 TOOTH SPROCKET (2001-->) OEB1-48 (u. 1)
39	NYLOC FLANGE NUT 8mm : T2208002/2, T2208002/3 : T2208002 0/000.340.9119 (u. 1) OBSOLETE : 0/000.340.9119 : NYLOC FLANGE NUT 8mm : T2208002/2, T2208002/3 <b>OBSOLETE</b> T2208002 (u. 1)
40	OBSOLETE : 0/000.460.9153 : C/SUNK ALLEN BOLT 8X30 : BE25618030 <b>OBSOLETE</b> T0408030 (u. 1) C/SUNK ALLEN BOLT 8X30 : BE25618030 : T0408030 0/000.460.9153 (u. 1)

41	REAR WHEEL SELFLOCKING NUT : R640700 BE25618023 (u. 1)
42	CHAIN 135 ORCX114 LINKS EC BFS578002510 (u. 1)
43	OBSOLETE : NIPPLE, REAR SPOKE BE250018016/3 (u. 1)
44	FRONT WHEEL GASKET {GASGAS EC/XC 01-19} C160710 (u. 1)
46	(ENDURO) (REAR) BRAKE CALIPER PISTON BE675602509 (u. 1)
47	(ENDURO) (REAR) BRAKE CALIPER PISTON O-RING (2011-2019) BE675502509 (u. 1)
48	(ENDURO) (REAR) BRAKE CALIPER O-RING (2000-2017) BE250022048 (u. 1)
49	CTO.RUEDA TRAS.EC STANDARD 2014 <b>OBSOLETE</b> BE55000CT-CAB-1 (u. 1) - <i>HOMOLOGADO</i> OBSOLETE : REAR WHEEL SET <b>OBSOLETE</b> BE55000CT-CAW-1 (u. 1) - <i>RACING</i>
50	CHAIN SPLIT LINK BE250310066 (u. 1)
51	OBSOLETE : 0/000.660.9106 : (ENDURO) SHORT UNEX CLAMP 2.5x98 <b>OBSOLETE</b> BE25634010 (u. 1) RJ-MR SHORT UNEX CLAMP 2.5x98 : BE25634010 0/000.660.9106 (u. 1)
52	HOSE HOLDER BOLT 10x125 : BE25622030 BC25722006 (u. 1)
53	OBSOLETE : REAR WHEEL 2.15X18 EC-2013 <b>OBSOLETE</b> BE590003013CT (u. 1) - <i>HOMOLOGADO</i> REAR BLACK RIM BE59000CT-CAW-1 (u. 1) - <i>RACING</i>
54	OBSOLETE : 0/000.440.0160 : FLAT WASHER 8x16 : T4008017 <b>OBSOLETE</b> T4008016 (u. 1) RJ-FLAT WASHER 8x16 : T4008017, T4008016 0/000.440.0160 (u. 1)
55	(ENDURO) (REAR) COMPLETE BRAKE SET (2008-2017) : BE250522118 BE65000CT2509 (u. 1)
56	OBSOLETE : 0/000.230.9103 : (ENDURO) (REAR) EXCEL RIM (BLACK) (2001-2019) : BE59000R2509, BE590002508 <b>OBSOLETE</b> BE59001R2509 (u. 1) OBSOLETE : RIM REAR SPOKES-MOUNTED 2.15X18 EC-2013 <b>OBSOLETE</b> BE590003013 (u. 1) - <i>HOMOLOGADO</i> RJ-MR (REAR) EXCEL RIM (BLACK) (2001-2019) : BE59000R2509, BE590002508 : BE59001R2509 0/000.230.9103 (u. 1) OBSOLETE : BE59001R2509 : RIM, REAR WHEEL <b>OBSOLETE</b> BE59000GG-CAW-1 (u. 1) - <i>RACING</i>
57	O-RING D42 {GASGAS EC/XC} BE25618038 (u. 1)
58	(ENDURO) (REAR) WHEEL INTERIOR HUB WASHER BE250318056 (u. 1)
59	WHEEL BEARING {GASGAS EC/XC 04-19} BE250318054 (u. 1)
60	TT-HEX HEAD WASHER 6x16 T0206016 (u. 1) HEX FLANGE SCREW 6x16 : T0206016/2, T0106016N, T0106016, BE25618032, BE250018029 : T0206016 0/000.460.9119 (u. 1)

Exhaust homologated



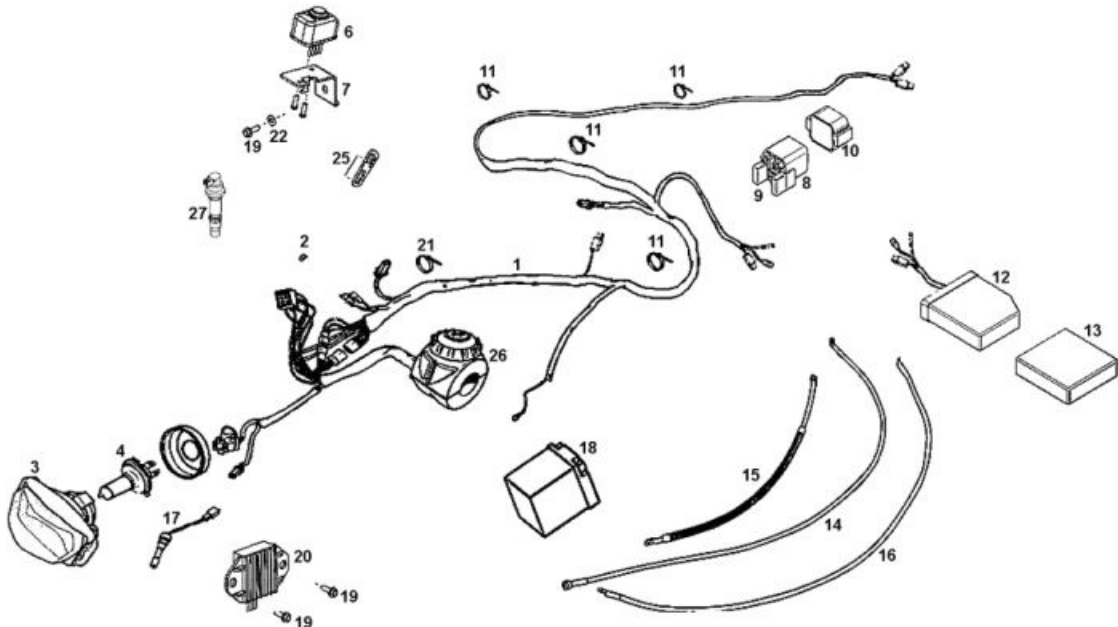
250 - 300 cc



450 cc

2_	OBSOLETE : EXHAUST.HOMOL.EC 250 4T 2010(CEX) <b>OBSOLETE</b> BFS85000H2510 (u. 1) - 250, 300
2	OBSOLETE : EXHAUST.HOMOL.EC 250 4T 2010(CEX) <b>OBSOLETE</b> BFS85000H2510 (u. 1) - 250, 300
3	ALLEN BOLT 8X20 : T0308020/2 T0308020 (u. 1)
	ALLEN BOLT 8X20 : T0308020/2 T0308020 (u. 1)
3_	ALLEN BOLT 8X20 : T0308020/2 T0308020 (u. 1)
	ALLEN BOLT 8X20 : T0308020/2 T0308020 (u. 1)
17	OBSOLETE : BUSING, SILENTBLOCK FSR 2008 <b>OBSOLETE</b> BFS870554508 (u. 1)

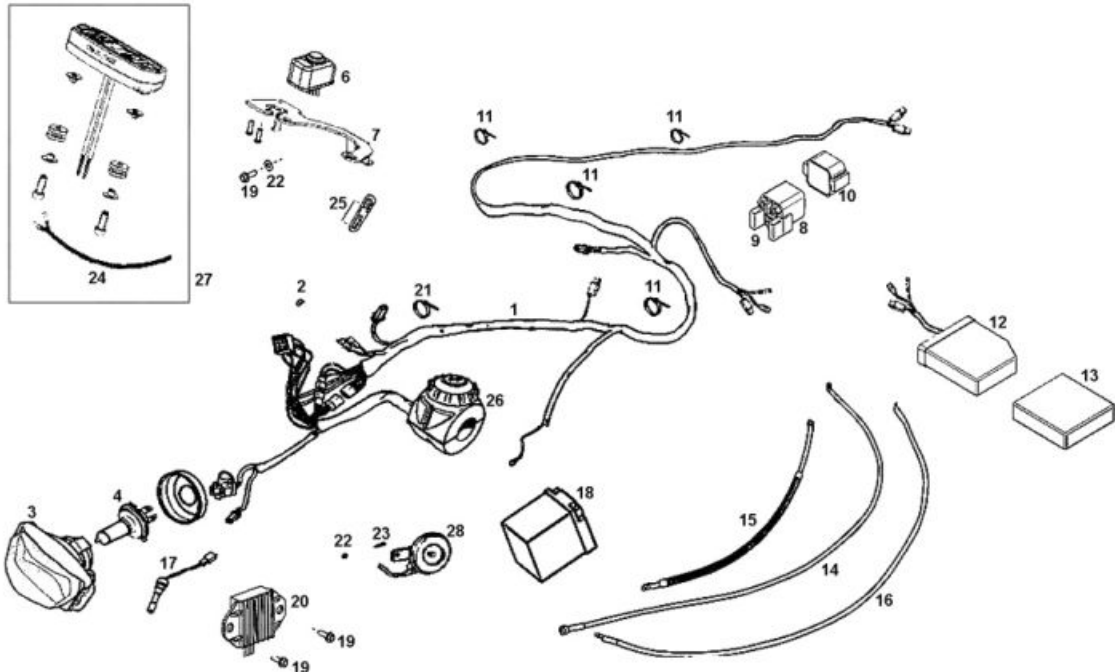
Cable set



1	INST.MAIN EC 4T 2014 EE10000GG-CAK-1 (u. 1)
2	OBSOLETE : 0/000.630.9104 : SPEEDO CABLE HOLDER CLIP <b>OBSOLETE</b> EE650202508 (u. 1) SPEEDO CABLE HOLDER CLIP : EE650202508 0/000.630.9104 (u. 1)
3	RJ-MR COMPLETE HEADLAMP BEAM UNIT: EE200002511 0/000.600.0270 (u. 1) OBSOLETE 0/000.600.0270 : FRONT HEADLIGHT {GASGAS 2011-} EE200002511 (u. 1) RJ-COMplete HEADLAMP BEAM UNIT 0/000.600.0260 (u. 1)
4	HS1 12V3535W HALOGEN BULB L300125 (u. 1)
6	SWITCH ON/OFF 4T 2014(5UM-82510-E1) BE60100GG-CAK-1 (u. 1)
7	ON/OFF SUPPORT 4T 2014 BE22265GG-CAL-1 (u. 1)
8	OBSOLETE : 0/001.200.9101 : STARTING RELAY : BFS400134075 <b>OBSOLETE</b> BFS400134075/2 (u. 1) RJ-STARTING RELAY : BFS400134075 : BFS400134075/2 0/001.200.9101 (u. 1)
9	FUSE PROTECTION CAP (B4694-730-00-001) EE851052511 (u. 1)
10	FUSE SUPPORT RUBBER BFS450480121 (u. 1)
11	UNEX CLAMP ZIP TIE : BE25634009 0/000.660.9105 (u. 1) TT-UNEX CLAMP 4.8x20 BE25634009 (u. 1)

12	C.D.I.UNIT ASSY : EE511004513 5TJ-85540-L0 (u. 1) - 450
	CDI UNIT ASSY 2012 5UM-85540-L1 (u. 1) - 250, 300
13	OBSOLETE : CDI RUBBER (5TJ-85546-00) <b>OBSOLETE</b> BE55100GG-CAK-1 (u. 1)
14	OBSOLETE : CABLE NEGATIVE BATTERY EC CAMI 2013 <b>OBSOLETE</b> EES400102513 (u. 1)
15	BATTERY POSITIVE POLE CABLE EFS400152510 (u. 1)
16	OBSOLETE : CABLE RELE MOTOR STARTER ENDURO 2T 2010 EE401102510 (u. 1)
17	LIGHT BULB POSITION L300126 (u. 1)
18	BATTERY YTZ7SSIAM FURUKAWA EC4004T : BFS400134080 BFS400134080/3 (u. 1)
19	HEX FLANGE BOLT 6x14 : T0206014/2 : T0206014 0/000.460.9118 (u. 1)
	OBSOLETE : 0/000.460.9118 : TT-HEX FLANGE BOLT 6x14 : T0206014/2 <b>OBSOLETE</b> T0206014 (u. 1)
21	ZIP TIE 36x140 : BE250022031 0/000.680.9100 (u. 1)
	OBSOLETE : 0/000.680.9100 : ZIP TIE 36x140 <b>OBSOLETE</b> BE250022031 (u. 1)
22	WASHER 6x16x1.5 : T4006016 0/000.440.9125 (u. 1)
	OBSOLETE : 0/000.440.9125 : WASHER 6x16x1.5 <b>OBSOLETE</b> T4006016 (u. 1)
25	SUPPORT CONNECTOR WIRING HARNESS BE22020GG-CAU-1 (u. 1)
26	CONMUTADOR LUCES EC-2010 ARRAN.ELEC. <b>OBSOLETE</b> EE602002510 (u. 1)
	LIGHT SWITCH {GASGAS 11-17} : EE602002510 EE60200GG-EKK-1 (u. 1)
27	OBSOLETE : IGNITION COIL ASSY : 5UL-82310-10, EFS513002510 <b>OBSOLETE</b> 5TA-82310-10 (u. 1)

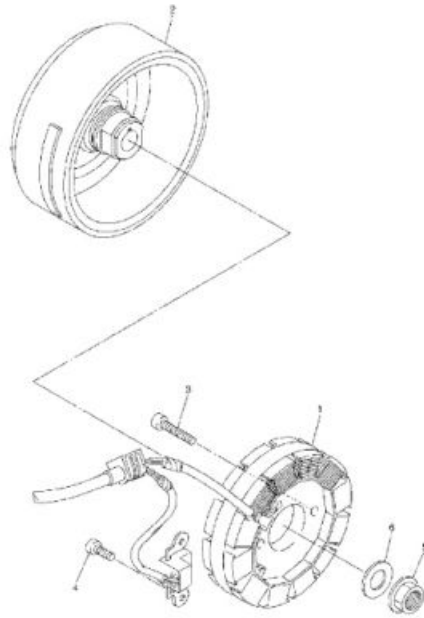
Cable set homologated



1	INST.MAIN EC 4T 2014 EE10000GG-CAK-1 (u. 1)
2	OBSOLETE : 0/000.630.9104 : SPEEDO CABLE HOLDER CLIP EE650202508 (u. 1) SPEEDO CABLE HOLDER CLIP : EE650202508 0/000.630.9104 (u. 1)
3	RJ-MR COMPLETE HEADLAMP BEAM UNIT: EE200002511 0/000.600.0270 (u. 1) RJ-COMplete HEADLAMP BEAM UNIT 0/000.600.0260 (u. 1) OBSOLETE 0/000.600.0270 : FRONT HEADLIGHT {GASGAS 2011-} EE200002511 (u. 1)
4	HS1 12V3535W HALOGEN BULB L300125 (u. 1)
6	SWITCH ON/OFF 4T 2014(5UM-82510-E1) BE60100GG-CAK-1 (u. 1)
7	SOP.MULTIFUNCION 4T 2014 BE22265GG-CAK-1 (u. 1)
8	RJ-STARTING RELAY : BFS400134075 : BFS400134075/2 0/001.200.9101 (u. 1) OBSOLETE : 0/001.200.9101 : STARTING RELAY : BFS400134075 BFS400134075/2 (u. 1)
9	FUSE PROTECTION CAP (B4694-730-00-001) EE851052511 (u. 1)
10	RUBBER BRACKET RELE STARTER FIJ.VERTICAL EE85205GG-CAK-1 (u. 1)
11	UNEX CLAMP ZIP TIE : BE25634009 0/000.660.9105 (u. 1) TT-UNEX CLAMP 4.8x20 BE25634009 (u. 1)

12	C.D.I.UNIT ASSY : EE511004513 5TJ-85540-L0 (u. 1)
13	OBSOLETE : CDI RUBBER (5TJ-85546-00) <b>OBSOLETE</b> BE55100GG-CAK-1 (u. 1)
14	OBSOLETE : CABLE NEGATIVE BATTERY EC CAMI 2013 <b>OBSOLETE</b> EES400102513 (u. 1)
15	BATTERY POSITIVE POLE CABLE EFS400152510 (u. 1)
16	OBSOLETE : CABLE RELE MOTOR STARTER ENDURO 2T 2010 EE401102510 (u. 1)
17	LIGHT BULB POSITION L300126 (u. 1)
18	BATTERY YTZ7SSIAM FURUKAWA EC4004T : BFS400134080 BFS400134080/3 (u. 1)
19	OBSOLETE : 0/000.460.9118 : TT-HEX FLANGE BOLT 6x14 : T0206014/2 <b>OBSOLETE</b> T0206014 (u. 1) HEX FLANGE BOLT 6x14 : T0206014/2 : T0206014 0/000.460.9118 (u. 1)
21	ZIP TIE 36x140 : BE250022031 0/000.680.9100 (u. 1) OBSOLETE : 0/000.680.9100 : ZIP TIE 36x140 <b>OBSOLETE</b> BE250022031 (u. 1)
22	CAGE NUT 6mm : T2606000 0/000.340.9120 (u. 1) TT-CAGE NUT 6mm T2606000 (u. 1)
23	OBSOLETE : BUTTONHEAD ALLEN WWASHER 6x16 T0556016 (u. 1)
24	OBSOLETE : 0/001.010.9100 : (ENDURO) MULTI-FUNCTION HOSE TT <b>OBSOLETE</b> BE250634050 (u. 1) RJ-MR MULTI-FUNCTION HOSE TT : BE250634050 0/001.010.9100 (u. 1)
25	SUPPORT CONNECTOR WIRING HARNESS BE22020GG-CAU-1 (u. 1)
26	CONMUTADOR LUCES EC-2010 ARRAN.ELEC. <b>OBSOLETE</b> EE602002510 (u. 1) LIGHT SWITCH {GASGAS 11-17} : EE602002510 EE60200GG-EKK-1 (u. 1)
27	ENDURO MULIFUNCTION SET EE60000GG-CAB-1 (u. 1)
28	OBSOLETE : HORN : 6200030211 EFS204004508 (u. 1)

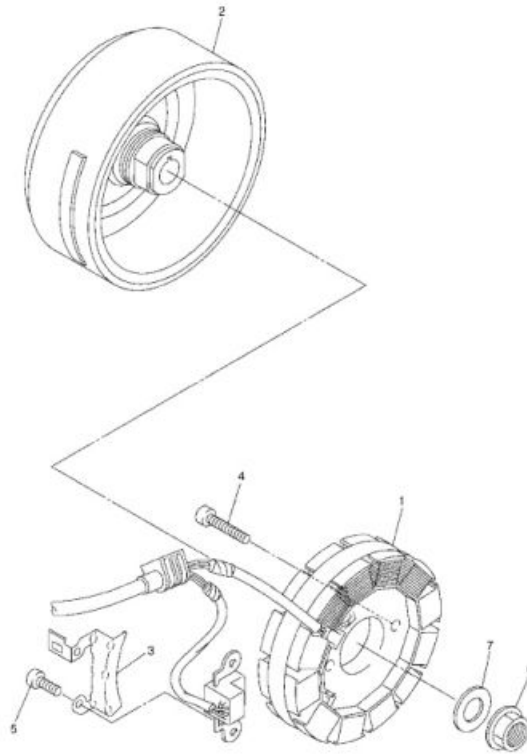
**Generator 250, 300**



- |          |                                                           |
|----------|-----------------------------------------------------------|
| <b>2</b> | <b>ROTTOR ASSY EC 250 4T 2010</b><br>5UM-81450-00 (u. 1)  |
| <b>5</b> | <b>NUT EC 250 4T 2010</b><br>90179-12657 (u. 1)           |
| <b>6</b> | <b>WASHER, PLATE EC 250 4T 2010</b><br>90201-12020 (u. 1) |

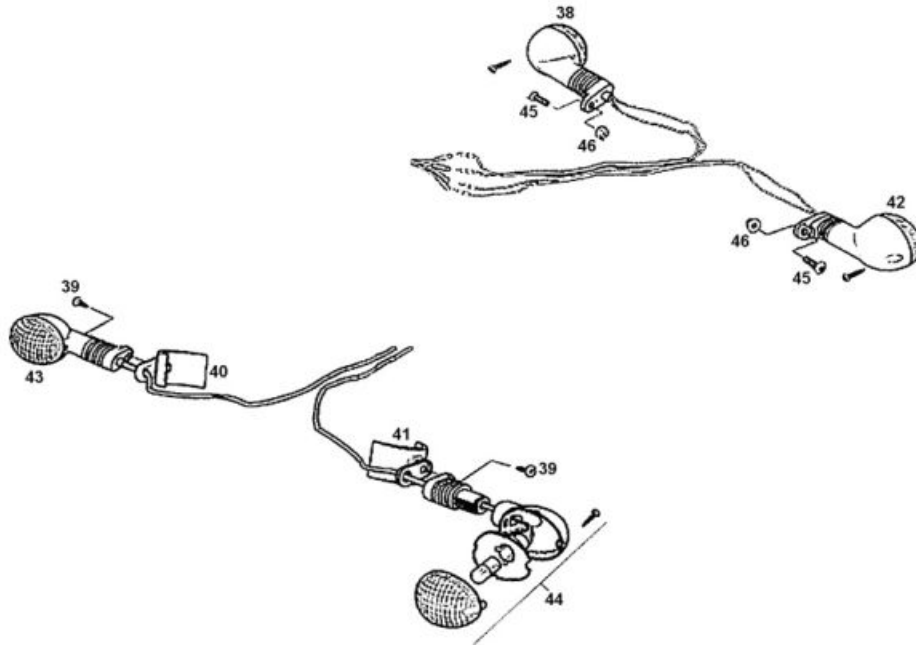


**Generator 450**



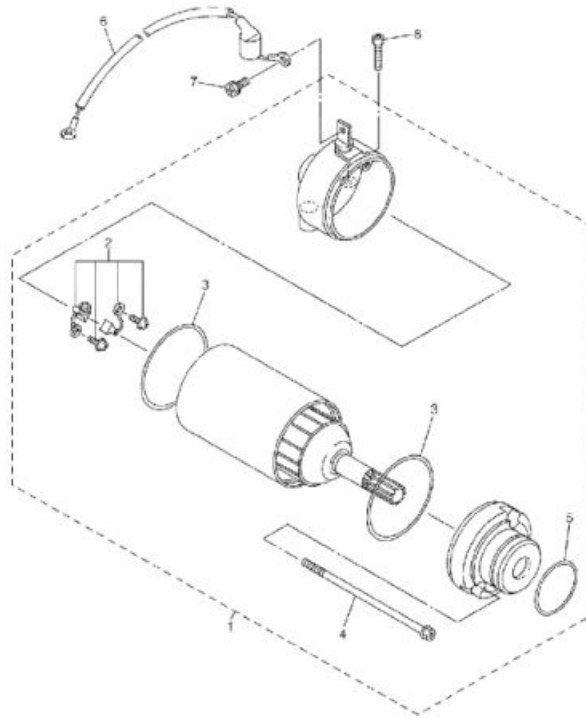
2	ROTOR ASSY 5TJ-81450-30 (u. 1)
3	CLAMP 1 5TJ-81528-00 (u. 1)
6	NUT EC 250 4T 2010 90179-12657 (u. 1)
7	WASHER, PLATE EC 250 4T 2010 90201-12020 (u. 1)

Flashers homologated



38	<p>OBSOLETE : 0/000.150.9102 : (ENDURO) (RIGHT REAR) INDICATOR (2005-2019) : BE250134021, BE250634021 <b>OBSOLETE</b> BE250634021/2 (u. 1)</p> <p>RJ-MR (RIGHT REAR) INDICATOR (2005-2019) : BE250134021, BE250634021 : BE250634021/2 0/000.150.9102 (u. 1)</p>
39	<p>OBSOLETE : SPECIAL SCREW 6.3x16 T0706316 (u. 1)</p>
40	<p>SUPT, TURN SIGNAL RT. FRT. PP02 : BEP250234017 BE250134017 (u. 1)</p>
41	<p>SUPT, TURN SIGNAL LT. FRT. PP02 : BEP250234020 BE250134020 (u. 1)</p>
42	<p>OBSOLETE : 0/000.150.9103 : (ENDURO) (LEFT REAR) INDICATOR (2005-2019) : BE250634022, BE250134022 <b>OBSOLETE</b> BE250634022/2 (u. 1)</p> <p>RJ-MR (LEFT REAR) INDICATOR (2005-2019) : BE250634022, BE250134022 : BE250634022/2 0/000.150.9103 (u. 1)</p>
43	<p>RJ-MR (RIGHT FRONT) INDICATOR : BE250634018 0/000.150.9100 (u. 1)</p> <p>OBSOLETE : 0/000.150.9100 : (ENDURO) (RIGHT FRONT) INDICATOR <b>OBSOLETE</b> BE250634018 (u. 1)</p>
44	<p>RJ-MR (LEFT FRONT) INDICATOR : BE250634019 0/000.150.9101 (u. 1)</p> <p>OBSOLETE : 0/000.150.9101 : (ENDURO) (LEFT FRONT) INDICATOR <b>OBSOLETE</b> BE250634019 (u. 1)</p>
45	<p>6X16 ULS SCREW : T0506016N, T0506016N/2 0/000.460.9156 (u. 1)</p> <p>OBSOLETE : 0/000.460.9156 : 6X16 ULS SCREW <b>OBSOLETE</b> T0506016N (u. 1)</p>
46	<p>OBSOLETE : 0/000.340.9116 : FLANGE NUT 6mm : T2306000 <b>OBSOLETE</b> T2206000 (u. 1)</p> <p>FLANGE NUT 6mm : T2306000 : T2206000 0/000.340.9116 (u. 1)</p>

Engine starts 250, 300



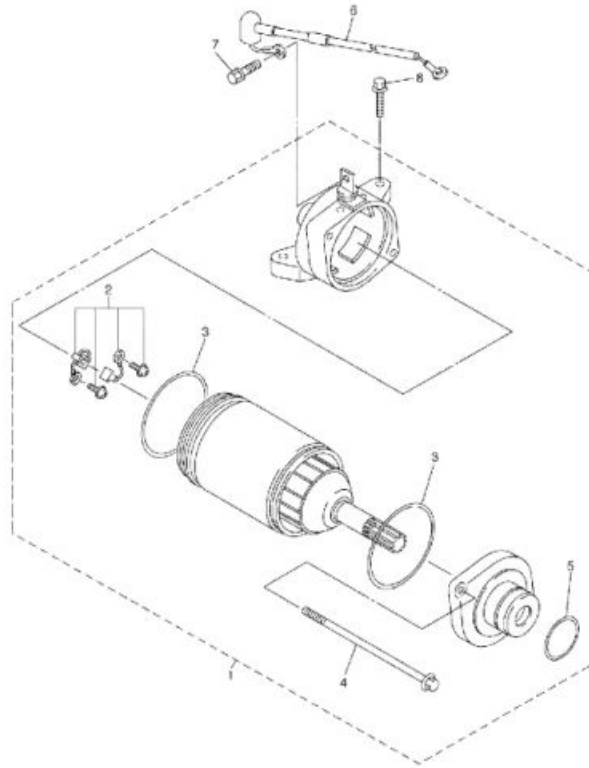
(ENDURO) BRUSH START REPAIR KIT  
EE80010GG-CBR-1 (u. 1)

2 STARTER ENGINE BRUSHES **OBSOLETE**  
5UM-81801-10 (u. 1)

3 GASKET EC 250 4T 2010  
5UM-81861-00 (u. 1)

5 O- RING EC 250 4T 2010  
93210-25711 (u. 1)

Engine starts 450

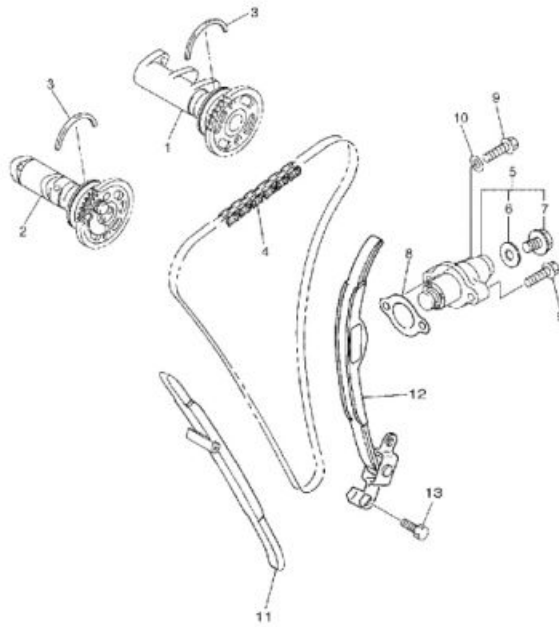


  
5TJE100-F380

- |   |                                                               |
|---|---------------------------------------------------------------|
| 1 | MOTOR ASSY<br>5TJ-81890-30 (u. 1)                             |
| 3 | O-RING<br>93210-44678 (u. 1)                                  |
| 5 | O- RING EC 250 4T 2010<br>93210-25711 (u. 1)                  |
| 6 | CORD COMP<br>5TJ-8183G-30 (u. 1)                              |
| 8 | OBSOLETE : BOLT, FLANGE <b>OBSOLETE</b><br>95022-06025 (u. 1) |

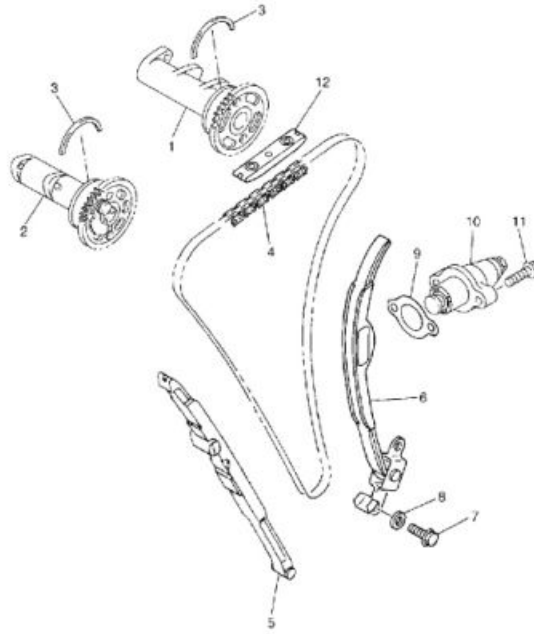
# **EC F RACING 4T 250-300-450 2014- Engine**

**Arbol de levas, cadena distribución 450**



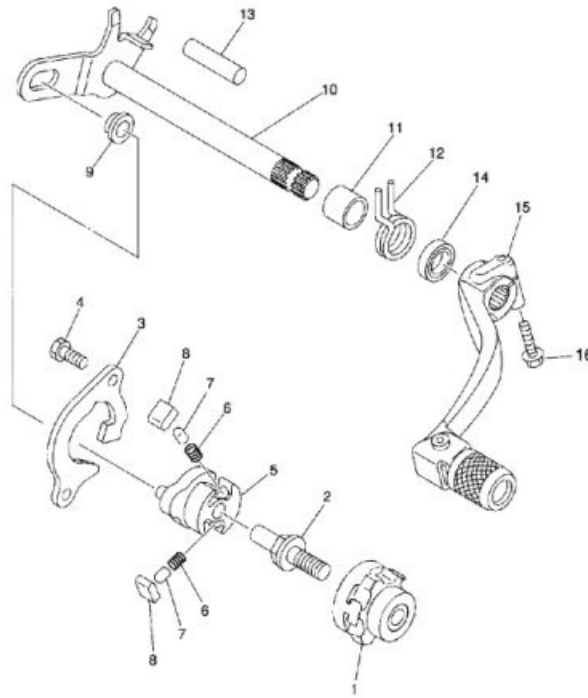
1	CAMSHAFT ASSY 1 5TJ-12170-00 (u. 1)
2	CAMSHAFT ASSY 2 5TJ-12180-40 (u. 1)
3	CIRCLIP EC 250 4T 2010 93440-41178 (u. 1)
4	CHAIN (98XRH2010-118M) 94591-57118 (u. 1)
5	TENSIONER ASSY, CAM CHAIN 5TA-12210-10 (u. 1)
6	GASKET 5EL-12214-00 (u. 1)
7	BOLT 5EL-12228-00 (u. 1)
8	OBSOLETE : GASKET, TENSIONER CASE EC 250 4T 2010 <b>OBSOLETE</b> 4FM-12213-00 (u. 1)
9	OBSOLETE : BOLT, FLANGE <b>OBSOLETE</b> 95022-06025 (u. 1)
10	OBSOLETE : GASKET EC 250 4T 2010 <b>OBSOLETE</b> 90430-06014 (u. 1)
11	DAMPER, CHAIN 1 2S2-12251-00 (u. 1)
12	DAMPER, CHAIN 2 5TA-12252-00 (u. 1)
13	BOLT, STOPPER 5TJ-12299-00 (u. 1)

**Arbol de levas - cadena distribución 250, 300**



3	CIRCLIP EC 250 4T 2010 93440-41178 (u. 1)
4	CHAIN EC 250 4T 2010 94591-53114 (u. 1)
5	DAMPER, CHAIN 1 EC 250 4T 2010 5NL-12251-10 (u. 1)
6	DAMPER, CHAIN 2 EC 250 4T 2010 5NL-12252-00 (u. 1)
9	OBSOLETE : GASKET, TENSIONER CASE EC 250 4T 2010 <b>OBSOLETE</b> 4FM-12213-00 (u. 1)
11	OBSOLETE : BOLT, FLANGE <b>OBSOLETE</b> 95022-06025 (u. 1)
12	GUIDE , STOPPER 2 EC 250 4T 2010 5BE-12241-00 (u. 1)

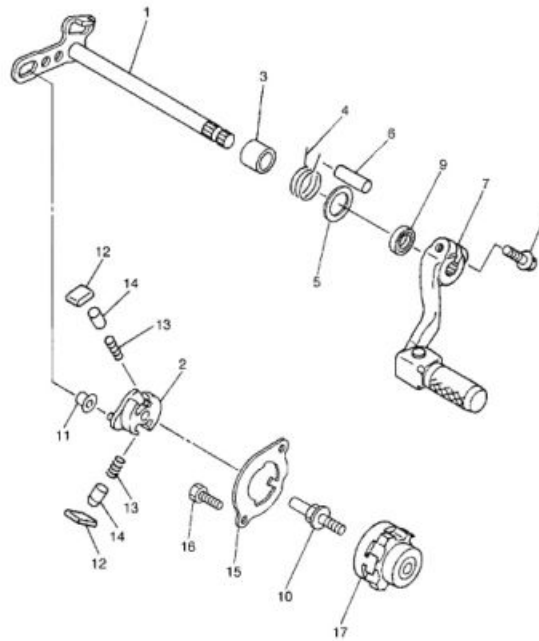
**ARBOL SELECTOR CAMBIO 250, 300**



1	SEGMENT 2S2-18185-00 (u. 1)
2	PIN SHIFT 3XJ-18173-10 (u. 1)
3	GUIDE , SHIFT EC 250 4T 2010 5BE-18172-00 (u. 1)
5	(ENDURO) SHIFT LEVER 2 (4T) (2010-2015) 5LP-18122-01 (u. 1)
6	SPRING, COMPRESSION EC 250 4T 2010 90501-052G5 (u. 1)
7	PIN, PAWL EC 250 4T 2010 3XJ-18184-00 (u. 1)
8	PAWL, SHIFTER EC 250 4T 2010 3XJ-18182-00 (u. 1)
9	(ENDURO) SHIFT LEVER ROLLER (4T) (2010-2015) 3XJ-18178-00 (u. 1)
11	COLLAR EC 250 4T 2010 90387-124F4 (u. 1)
12	SPRING, TORSION EC 250 4T 2010 90508-291A8 (u. 1)
13	PIN, DOWEL EC 250 4T 2010 93608-33002 (u. 1)
14	OBSOLETE : OIL SEAL EC 250 4T 2010 93102-12224 (u. 1)
15	GEAR CHANGE PEDAL ASSEMBLY 5XC-18110-00 (u. 1)
16	HEX BOLT 6x20 10.9 : T0206020/2, T0206020/3 : T0206020 0/000.460.9120 (u. 1) TT-BOLT 6x20 T0206020 (u. 1)



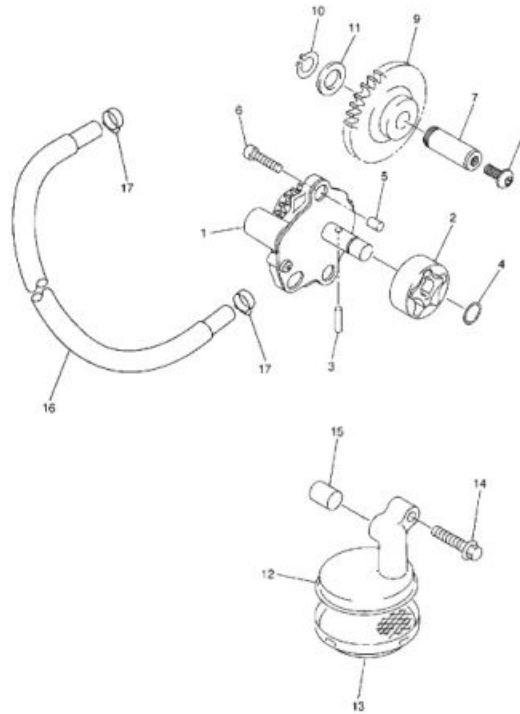
**ARBOL SELECTOR CAMBIO 450**



1	<b>OBSOLETE : SHIFT SHAFT ASSY</b> <b>OBSOLETE</b> 2S2-18101-10 (u. 1)
2	(ENDURO) SHIFT LEVER 2 (4T) (2013-2015) 5MW-18122-01 (u. 1)
3	COLLAR EC 250 4T 2010 90387-124F4 (u. 1)
4	SPRING TORSION 90508-29021 (u. 1)
5	WASHER PLATE 90201-127E1 (u. 1)
6	PIN, DOWEL EC 250 4T 2010 93608-33002 (u. 1)
7	GEAR CHANGE PEDAL ASSEMBLY 5XC-18110-00 (u. 1)
8	BOLT FLANGE 90105-06127 (u. 1)
9	<b>OBSOLETE : OIL SEAL EC 250 4T 2010</b> 93102-12224 (u. 1)
10	PIN SHIFT 3XJ-18173-10 (u. 1)
11	(ENDURO) SHIFT LEVER ROLLER (4T) (2010-2015) 3XJ-18178-00 (u. 1)
12	PAWL, SHIFTER EC 250 4T 2010 3XJ-18182-00 (u. 1)
13	SPRING, COMPRESSION EC 250 4T 2010 90501-052G5 (u. 1)
14	PIN, PAWL EC 250 4T 2010 3XJ-18184-00 (u. 1)
15	GUIDE SHIFT 5TJ-18172-00 (u. 1)

17	SEGMENT 2S2-18185-00 (u. 1)
----	--------------------------------

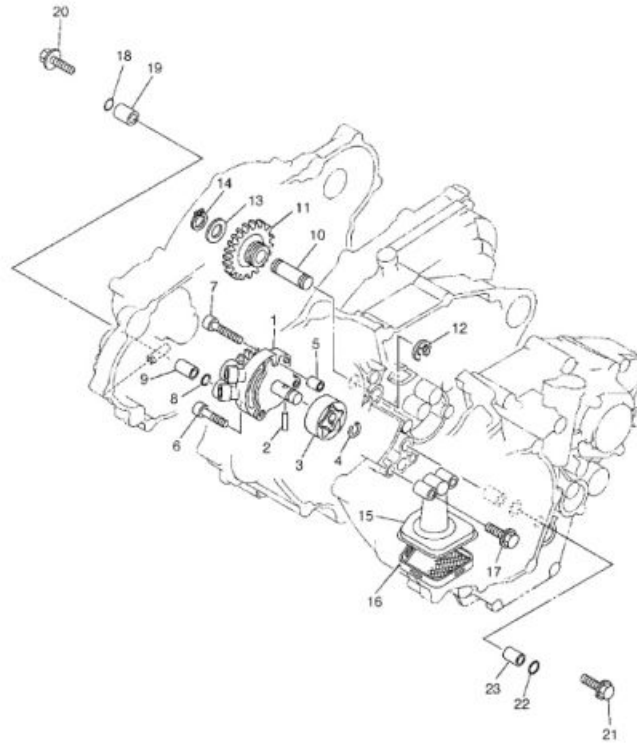
**BOMBA DE ACEITE 450**



1	OIL PUMP ASSY 2S2-13300-10 (u. 1)
2	ROTOR ASSY 2 5TA-13320-00 (u. 1)
3	PIN, DOWEL 93603-16219 (u. 1)
4	OBSOLETE : CIRCLIP EC 250 4T 2010 <b>OBSOLETE</b> 93440-10153 (u. 1)
5	PIN, DOWEL EC 250 4T 2010 99530-08012 (u. 1)
6	BOLT 91312-06030 (u. 1)
7	SHAFT, IDLE GEAR 2S2-13342-00 (u. 1)
8	SCREW 90149-06068 (u. 1)
9	GEAR, OIL PUMP IDLE 2S2-13341-00 (u. 1)
10	CIRCLIP EC 250 4T 2010 99009-12400 (u. 1)
11	WASHER PLATE EC 250 4T 2010 90201-12166 (u. 1)
12	HOUSING, STRAINER 2S2-13412-00 (u. 1)
13	STRAINER,OIL 5BE-13411-00 (u. 1)
14	BOLT, FLANGE 95022-06030 (u. 1)
15	PIN, DOWEL EC 250 4T 2010 99530-10114 (u. 1)

16	HOSE 90445-14009 (u. 1)
17	HOSE CLAMP ASSY 90450-17001 (u. 1)

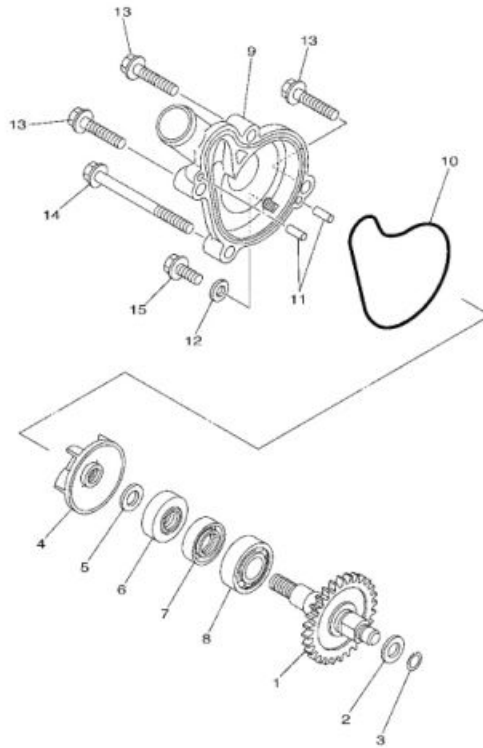
**BOMBA DE ACEITEV**



2	PIN, DOWEL 93603-16219 (u. 1)
4	OBSOLETE : CIRCLIP EC 250 4T 2010 <b>OBSOLETE</b> 93440-10153 (u. 1)
5	PIN, DOWEL EC 250 4T 2010 99530-08012 (u. 1)
8	OBSOLETE : O-RING EC 250 4T (2010) <b>OBSOLETE</b> 93210-10197 (u. 1)
9	PIN, DOWEL EC 250 4T 2010 99530-10114 (u. 1)
10	SHAFT, IDLE GEAR EC 250 4T 2010 5BE-13342-00 (u. 1)
11	OBSOLETE : GEAR, OIL PUM IDLE EC 250 4T 2010 <b>OBSOLETE</b> 5NL-13341-00 (u. 1)
12	CIRCLIP EC 250 4T 2010 99001-08600 (u. 1)
13	WASHER PLATE EC 250 4T 2010 90201-12166 (u. 1)
14	CIRCLIP EC 250 4T 2010 99009-12400 (u. 1)
16	STRAINER, OIL EC 250 4T 2010 5NL-13411-00 (u. 1)
17	OBSOLETE : BOLT, FLANGE <b>OBSOLETE</b> 95022-06025 (u. 1)
18	OBSOLETE : O-RING EC 250 4T (2010) <b>OBSOLETE</b> 93210-10197 (u. 1)
19	PIN, DOWEL EC 250 4T 2010 99530-10114 (u. 1)
20	OBSOLETE : BOLT, FLANGE <b>OBSOLETE</b> 95022-06025 (u. 1)

21	OBSOLETE : BOLT, FLANGE <b>OBSOLETE</b> 95022-06025 (u. 1)
22	OBSOLETE : O-RING EC 250 4T (2010) <b>OBSOLETE</b> 93210-10197 (u. 1)
23	PIN, DOWEL EC 250 4T 2010 99530-10114 (u. 1)

**BOMBA DE AGUA 250, 300**

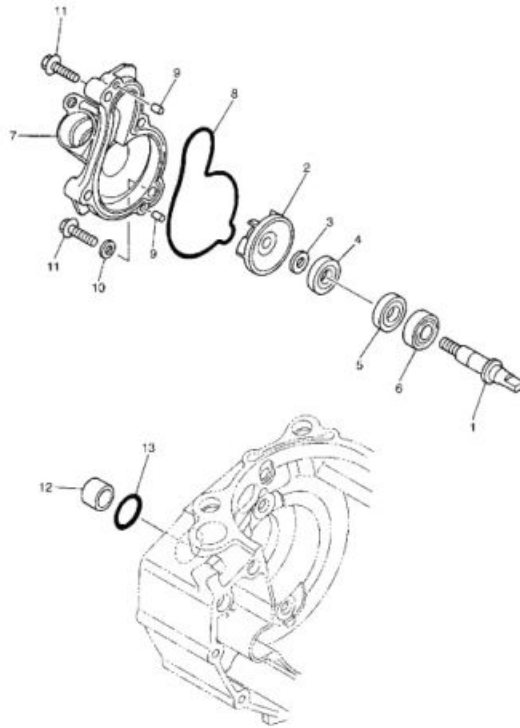


1	GEAR, IMPELLER SHAFT EC 250 4T 2010 5XC-12459-00 (u. 1)
2	OBSOLETE : WASHER PLATE EC250 4T 2010 <b>OBSOLETE</b> 90201-08512 (u. 1)
3	CIRCLIP EC 250 4T 2010 93440-07182 (u. 1)
4	Checkpoint - (ENDURO) ALLOY IMPELLER 5003 (u. 1) OBSOLETE : IMPELLER, WATER PUMP EC 250 4T 2010 5DH-12451-00 (u. 1)
5	OBSOLETE : WASHER PLATE EC250 4T 2010 <b>OBSOLETE</b> 90201-08512 (u. 1)
6	OBSOLETE : OIL SEAL EC 250 4T 2010 <b>OBSOLETE</b> 93109-11073 (u. 1)
7	OBSOLETE : OIL SEAL (30X) EC 250 4T 2010 : 93102-12106 <b>OBSOLETE</b> 93102-12321 (u. 1) OBSOLETE : OIL SEAL (30X) EC 250 4T 2010 : 93102-12106 <b>OBSOLETE</b> 93102-12321 (u. 1) OIL SEAL (SD 12-22-5 HS) EC 250 4T 2010 <b>OBSOLETE</b> 93102-12106 (u. 1)
8	OBSOLETE : BEARING (B6001) EC 250 4T 2010 <b>OBSOLETE</b> 93306-00105 (u. 1)
9	OBSOLETE : COVER, HOUSING EC 250 4T 2010 <b>OBSOLETE</b> 5NL-12422-10 (u. 1)
10	OBSOLETE : O-RING EC 250 4T 2010 <b>OBSOLETE</b> 5NL-12439-00 (u. 1)
11	PIN DOWEL EC 250 4T 2010 93604-10011 (u. 1)
12	OBSOLETE : GASKET EC 250 4T 2010 <b>OBSOLETE</b> 90430-06014 (u. 1)

13	OBSOLETE : BOLT, FLANGE <b>OBSOLETE</b> 95022-06025 (u. 1)
----	---------------------------------------------------------------

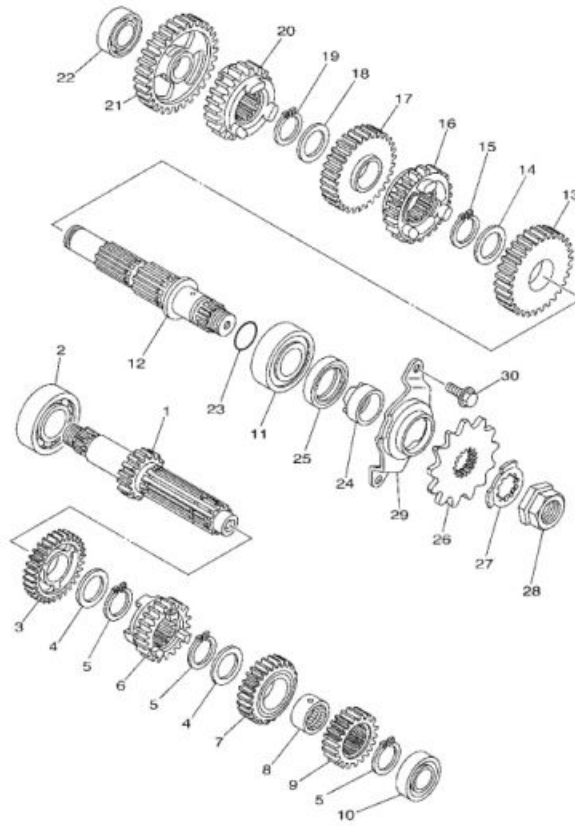


**BOMBA DE AGUA 450**



1	SHAFT,IMPELLER 5GR-12458-00 (u. 1)
2	IMPELLER, WATER PUMP 5DJ-12451-00 (u. 1)
3	OBSOLETE : WASHER PLATE EC250 4T 2010 <b>OBSOLETE</b> 90201-08512 (u. 1)
4	OBSOLETE : OIL SEAL EC 250 4T 2010 <b>OBSOLETE</b> 93109-11073 (u. 1)
5	OIL SEAL (SD 12-22-5 HS) EC 250 4T 2010 <b>OBSOLETE</b> 93102-12106 (u. 1)
	OBSOLETE : OIL SEAL (30X) EC 250 4T 2010 : 93102-12106 <b>OBSOLETE</b> 93102-12321 (u. 1)
	OBSOLETE : OIL SEAL (30X) EC 250 4T 2010 : 93102-12106 <b>OBSOLETE</b> 93102-12321 (u. 1)
6	OBSOLETE : BEARING (B6001) EC 250 4T 2010 <b>OBSOLETE</b> 93306-00105 (u. 1)
7	OBSOLETE : COVER, HOUSING <b>OBSOLETE</b> 5TG-12422-00 (u. 1)
8	O-RING 5BE-12439-00 (u. 1)
9	PIN DOWEL EC 250 4T 2010 93604-10011 (u. 1)
10	OBSOLETE : GASKET EC 250 4T 2010 <b>OBSOLETE</b> 90430-06014 (u. 1)
11	BOLT, FLANGE 95022-06030 (u. 1)
12	PIPE, WATER 5BE-12564-00 (u. 1)
13	O-RING 93210-19758 (u. 1)

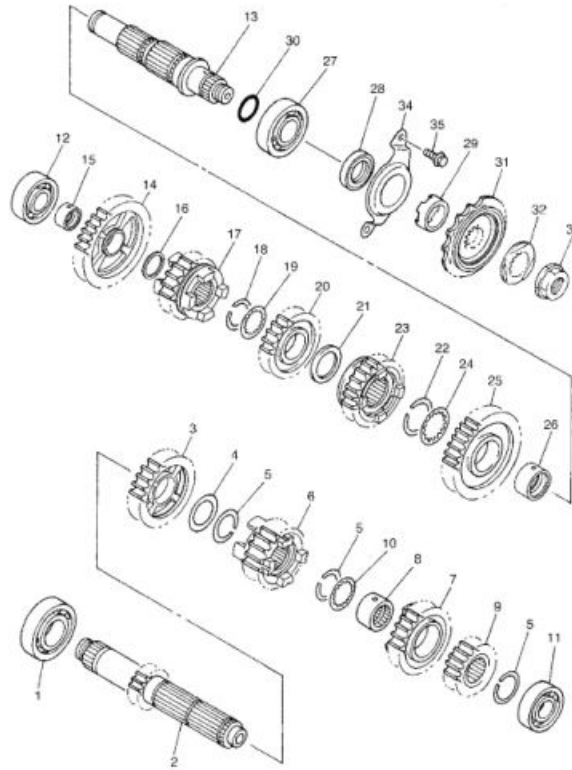
**CAMBIO 250, 300**



	BEARING EC 250 4T 2010 <b>OBSOLETE</b> 93306-20447 (u. 1)
2	<b>OBSOLETE</b> : BEARING EC 250 4T 2010 : 93306-20447 <b>OBSOLETE</b> 93306-20427 (u. 1)
	<b>OBSOLETE</b> : BEARING EC 250 4T 2010 : 93306-20447 <b>OBSOLETE</b> 93306-20427 (u. 1)
4	WASHER EC 250 4T 2010 90209-20008 (u. 1)
5	CIRCLIP EC 250 4T 2010 93410-22039 (u. 1)
8	COLLAR EC 250 4T 2010 90387-20006 (u. 1)
9	GEAR, 2ND PINION (16T) 5NL-17121-00 (u. 1)
10	BEARING EC 250 4T 2010 93306-00320 (u. 1)
11	BEARING EC 250 4T 2010 93306-27208 (u. 1)
13	<b>OBSOLETE</b> : GEAR, 2ND WHEEL (28T) EC 250 4T 2010 <b>OBSOLETE</b> 5NL-17221-00 (u. 1)
14	WASHER EC250 4T 2010 90209-23012 (u. 1)
15	CIRCLIP EC 250 4T 2010 93410-26067 (u. 1)
18	WASHER EC 250 4T 2010 90209-20008 (u. 1)
19	CIRCLIP EC 250 4T 2010 93410-22039 (u. 1)
21	<b>OBSOLETE</b> : GEAR, 1ST WHEEL (31T) EC 250 4T 2010 <b>OBSOLETE</b> 5PH-17211-00 (u. 1)

22	OBSOLETE : BEARING EC 250 4T 2010 <b>OBSOLETE</b> 93306-00317 (u. 1)
23	OBSOLETE : O- RING EC 250 4T 2010 <b>OBSOLETE</b> 93210-196A4 (u. 1)
24	OBSOLETE : COLLAR EC 250 4T 2010 <b>OBSOLETE</b> 90387-22001 (u. 1)
25	OBSOLETE : OIL-SEAL EC 250 4T 2010 93102-28010 (u. 1)
26	SPROCKET, DRIVE (13T) EC 250 4T 2010 9383B-13218 (u. 1)
	SPROCKET, DRIVE (14T) EC 250 4T 2010 9383B-14222 (u. 1) - <i>HOMOLOGADO</i>
27	OBSOLETE : LOCK WASHER EC 250 259 4T 2010 <b>OBSOLETE</b> 90215-20003 (u. 1)
28	NUT EC 250 4T 2010 90179-18001 (u. 1)

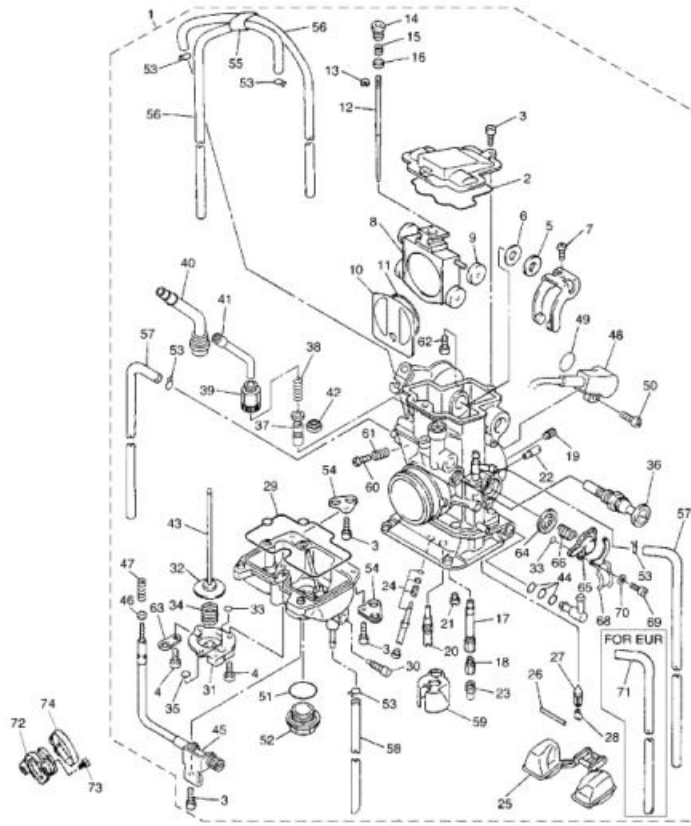
**CAMBIO 450**



1	<b>BEARING</b> 93306-20532 (u. 1)
2	<b>AXLE MAIN 12T</b> 5TJ-17411-20 (u. 1)
3	<b>GEAR 5TH PINION 25T</b> 5TJ-17151-20 (u. 1)
4	<b>WASHER PLATE</b> 90201-253K0 (u. 1)
5	<b>CIRCLIP</b> 93440-25084 (u. 1)
6	<b>GEAR 3RD PINION 16T</b> 5TJ-17131-20 (u. 1)
7	<b>GEAR, 4TH PINION (20T)</b> 5TJ-17141-20 (u. 1)
8	<b>COLLAR</b> 90387-21005 (u. 1)
9	<b>GEAR 2ND PINION 15T</b> 5TJ-17121-20 (u. 1)
10	<b>WASHER</b> 90209-21332 (u. 1)
11	<b>BEARING</b> 93306-00431 (u. 1)
12	<b>BEARING</b> 93306-00426 (u. 1)
13	<b>DRIVE AXLE ASSY</b> 2S2-17402-00 (u. 1)
14	<b>GEAR 1ST WHEEL 29T</b> 5TJ-17211-20 (u. 1)
15	<b>COLLAR</b> 90387-20028 (u. 1)

16	WASHER PLATE 90201-203E7 (u. 1)
17	GEAR.5TH WHEEL (21T) 5TJ-17251-20 (u. 1)
18	CIRCLIP 93440-25084 (u. 1)
19	WASHER 90209-21332 (u. 1)
20	GEAR 3TH WHEEL 21T 5TJ-17231-20 (u. 1)
21	WASHER PLATE 90201-253K0 (u. 1)
22	CIRCLIP 93440-28062 (u. 1)
23	GEAR 4TH WHEEL 21T 5TJ-17241-20 (u. 1)
24	WASHER 90209-26348 (u. 1)
25	GEAR 2ND WHEEL 26T 5TJ-17221-20 (u. 1)
26	COLLAR 90387-28012 (u. 1)
27	BEARING 93306-205A5 (u. 1)
28	OIL SEAL {GASGAS EC 4T 2013-2014} 93102-32480 (u. 1)
29	COLLAR 90387-2513F (u. 1)
31	SPROCKET DRIVE 14T 5NG-17460-00 (u. 1) - <i>HOMOLOGADO</i>
	SPROCKET DRIVE (13T) 9383E-13233 (u. 1)
32	WASHER LOCK 90215-21003 (u. 1)
33	NUT 90179-20001 (u. 1)
34	PLATE COVER 2S2-17471-00 (u. 1)

**CARBURADOR 250, 300**



1	CARB. EC 250 4T 2011 YAMAHA 5UM-14101-LO : 5UM-14101-L0 BFS780012511 (u. 1)
2	GASKET EC 250 4T 2010 5JG-14959-00 (u. 1)
3	BOLT EC250 4T 2010 91316-04012 (u. 1)
4	SCREW EC 250 4T 2010 688-14592-00 (u. 1)
5	WASHER, PLATE EC 250 4T 2010 90202-08045 (u. 1)
6	WASHER EC 250 4T 2010 5JG-14951-00 (u. 1)
7	SCREW ADJUST EC 250 4T 2010 5JG-14522-00 (u. 1)
8	VALVE, VACUUM CONTROL 2S2-14388-00 (u. 1)
9	OBSOLETE : ROLLER EC 250 4T 2010 <b>OBSOLETE</b> 3TJ-14267-40 (u. 1)
10	VALVE, NOZZLE EC 250 4T 2010 5JG-14546-01 (u. 1)
11	OBSOLETE : SEAL EC 250 4T 2010 <b>OBSOLETE</b> 4FN-14997-00 (u. 1)
13	CLIP EC 250 4T 2010 3TJ-14159-40 (u. 1)
14	SCREWW, ADJUST EC 250 4T 2010 5JG-14521-00 (u. 1)
15	SPRING EC 250 4T 2010 5JG-14275-00 (u. 1)
16	COLLAR EC 250 4T 2010 5JG-14264-00 (u. 1)

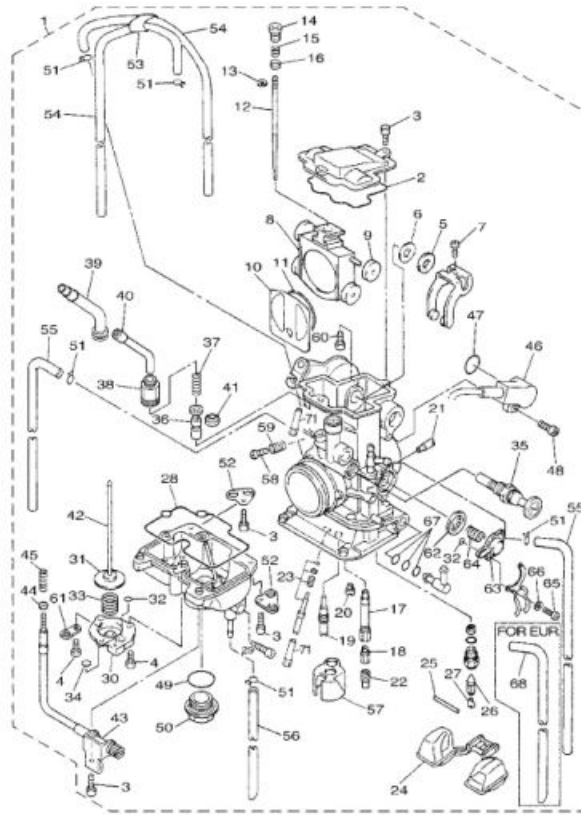
17	JET, NOZZLE 5TJ-14947-00 (u. 1)
	JET, MAIN (160) EC 250 4T 2010 4MX-14943-39 (u. 1)
	JET, MAIN (178) EC 250 4T 2010 4MX-14943-93 (u. 1)
	JET, MAIN (180) 4MX-14943-43 (u. 1)
	OBSOLETE : JET, MAIN (162) EC 250 4T 2010 <b>OBSOLETE</b> 4MX-14943-90 (u. 1)
18	JET, MAIN (175) EC 250 4T 2010 4MX-14943-42 (u. 1)
	JET, MAIN (165) EC 250 4T 2010 4MX-14943-40 (u. 1)
	OBSOLETE : JET, MAIN (170) EC 250 4T 2010 <b>OBSOLETE</b> 4MX-14943-41 (u. 1)
	JET, MAIN (182) 4MX-14943-94 (u. 1)
	JET, MAIN (172) EC 250 4T 2010 4MX-14943-92 (u. 1)
	OBSOLETE : JET, SLOW (48) <b>OBSOLETE</b> 4MX-14948-06 (u. 1)
	OBSOLETE : JET, SLOW (40) EC 250 4T 2010 <b>OBSOLETE</b> 4MX-14948-03 (u. 1)
20	OBSOLETE : JET, SLOW (50) <b>OBSOLETE</b> 4MX-14948-07 (u. 1)
	OBSOLETE : JET, SLOW (42) EC 250 4T 2010 <b>OBSOLETE</b> 4MX-14948-04 (u. 1)
	OBSOLETE : F/000.350.9104 : (ENDURO) CARBURATOR SLOW JET 45 <b>OBSOLETE</b> ME25690045 (u. 1)
	JET (65) 3TJ-1494F-13 (u. 1)
	JET (70) EC 250 4TG 2010 3TJ-1494F-15 (u. 1)
21	JET (72) EC 250 4T 2010 3TJ-1494F-16 (u. 1)
	JET (62) 3TJ-1494F-12 (u. 1)
	JET (68) EC 250 4T 2010 3TJ-1494F-14 (u. 1)
22	OBSOLETE : JET, MAIN (70) EC 250 4T 2010 <b>OBSOLETE</b> 5TA-14943-15 (u. 1)
	JET (100) EC 250 4T 2010 4JT-1494F-27 (u. 1)
	JET (120) EC 250 4T 2010 4JT-1494F-31 (u. 1)
	JET (70) EC 250 4T 2010 4JT-1494F-15 (u. 1)
23	JET (110) EC 250 4T 2010 4JT-1494F-29 (u. 1)
	JET (80) EC 250 4T 2010 4JT-1494F-19 (u. 1)
	OBSOLETE : JET (60) EC 250 4T 2010 <b>OBSOLETE</b> 4JT-1494F-11 (u. 1)
	JET (90) EC 250 4T 2010 4JT-1494F-23 (u. 1)

24	OBSOLETE : PILOT SCREW SET EC 250 4T 2010 <b>OBSOLETE</b> 5NL-14105-00 (u. 1)
25	FLOAT EC 250 4T 2010 4SR-14985-00 (u. 1)
26	OBSOLETE : PIN, FLOAT ARM EC 250 4T 2010 <b>OBSOLETE</b> 676-14548-00 (u. 1)
27	VALVE, NOZZLE EC 250 4T 2010 4MX-14392-00 (u. 1)
28	CLIP EC 250 4T 2010 633-14159-00 (u. 1)
29	OBSOLETE : GASKET, FLOAT CHAMBER EC 250 4T 2010 <b>OBSOLETE</b> 5JG-14984-00 (u. 1)
30	PLUG, DRAIN EC 250 4T 2010 3TJ-14191-40 (u. 1)
31	COVER 1 EC 250 4T 2010 3TJ-14293-40 (u. 1)
32	OF APHRAGM ASSY EC 250 4T 2010 5JG-14940-17 (u. 1)
	DIAPHRAGM ASSY EC 250 4T 2010 5JG-14940-76 (u. 1)
	DIAPHRAGM ASSY EC 250 4T 2010 5JG-14940-16 (u. 1)
	DIAPHRAGM ASSY EC 250 4T 2010 5JG-14940-18 (u. 1)
33	GASKET EC 250 4T 2010 3TJ-14536-40 (u. 1)
34	SPRING, DIPHRAGM EC 250 4T 2010 3TJ-14933-40 (u. 1)
35	O-RING EC 250 4T 2010 6H4-14561-00 (u. 1)
36	OBSOLETE : PLUNGER, STARTER <b>OBSOLETE</b> 5XC-14171-00 (u. 1)
37	PLUNGER, STARTER EC 250 4T 2010 5TA-14371-00 (u. 1)
38	SPRING, PLUNGER EC 250 4T 2010 5TA-14335-00 (u. 1)
39	OBSOLETE : SCREW EC 250 4T 2010 <b>OBSOLETE</b> 5TA-14991-00 (u. 1)
41	OBSOLETE : GUIDE , CABLE EC 250 4T 2010 <b>OBSOLETE</b> 5TA-14155-00 (u. 1)
42	SEAL EC 250 4T 2010 5TA-14997-00 (u. 1)
43	ROD.STARTER EC 250 4T 2010 5JG-14379-00 (u. 1)
44	O-RING 3TJ-14564-40 (u. 1)
45	SCREW, THROTTLE 5XC-14922-00 (u. 1)
46	WASHER, PLATE EC 250 4T 2010 90201-08410 (u. 1)
47	SPRING, THROTTLE STOP EC 250 4T 2010 5TA-14934-00 (u. 1)
48	OBSOLETE : THROTTLE SENSOR ASSY <b>OBSOLETE</b> 5XC-85885-00 (u. 1)
49	O-RING EC 250 4T 2010 5NX-14562-00 (u. 1)



50	SCREW EC 250 4T 2010 5NX-14216-00 (u. 1)
51	O-RING EC 250 4T 2010 4MX-14561-00 (u. 1)
52	PLUG, SCREW EC 250 4T 2010 4MX-14115-00 (u. 1)
53	CLIP EC 250 4T 2010 3TJ-14137-40 (u. 1)
54	PLATE EC 250 4T 2010 5BE-14146-00 (u. 1)
55	HOLOF R EC 250 4T 2010 5TA-14261-00 (u. 1)
56	PIPE EC 250 4T 2010 5UL-14196-00 (u. 1)
57	PIPE EC 250 4T 2010 5TA-14197-00 (u. 1)
58	HOSE, EC 250 4T 2010 5TJ-14987-00 (u. 1)
59	PLATE EC 250 4T 2010 5JG-14346-00 (u. 1)
60	SCREW EC 250 4T 2010 5JG-14565-00 (u. 1)
61	SPRING, ADJUST SCREW EC 250 4T 2010 5JG-14531-00 (u. 1)
62	OBSOLETE : CARBURATOR ADJUSTMENT SCREW <b>OBSOLETE</b> 5UM-14591-00 (u. 1)
63	PLATE, EC 250 4T 2010 5PA-14146-00 (u. 1)
64	DIAPHRAGM ASSY EC 250 4T 2010 5GS-14940-00 (u. 1)
65	OBSOLETE : COVER, DIAPHRAGM EC 250 4T 2010 <b>OBSOLETE</b> 5GS-14958-00 (u. 1)
66	SPRING, DIAPHRAGM EC 250 4T 2010 5GS-14933-00 (u. 1)
69	SREW, PAN HEAD 98502-04010 (u. 1)
70	WASHER, SPRING 92902-04100 (u. 1)
71	PIPE 5UM-14197-00 (u. 1)
72	OBSOLETE : JOINT CARBURETOR 250 300 4T <b>OBSOLETE</b> 5XC-13597-30 (u. 1)
74	ENDURO HOSE CLAMP ASSY {GASGAS 4T 2012-2015} : 90450-57010-00 90450-57010 (u. 1)

**CARBURADOR 450**



2	GASKET EC 250 4T 2010 5JG-14959-00 (u. 1)
3	BOLT EC250 4T 2010 91316-04012 (u. 1)
4	SCREW EC 250 4T 2010 688-14592-00 (u. 1)
5	WASHER, PLATE EC 250 4T 2010 90202-08045 (u. 1)
6	WASHER EC 250 4T 2010 5JG-14951-00 (u. 1)
7	SCREW ADJUST EC 250 4T 2010 5JG-14522-00 (u. 1)
8	VALVE, VACUUM CONTROL 2S2-14388-00 (u. 1)
9	OBSOLETE : ROLLER EC 250 4T 2010 <b>OBSOLETE</b> 3TJ-14267-40 (u. 1)
10	VALVE, NOZZLE EC 250 4T 2010 5JG-14546-01 (u. 1)
11	OBSOLETE : SEAL EC 250 4T 2010 <b>OBSOLETE</b> 4FN-14997-00 (u. 1)

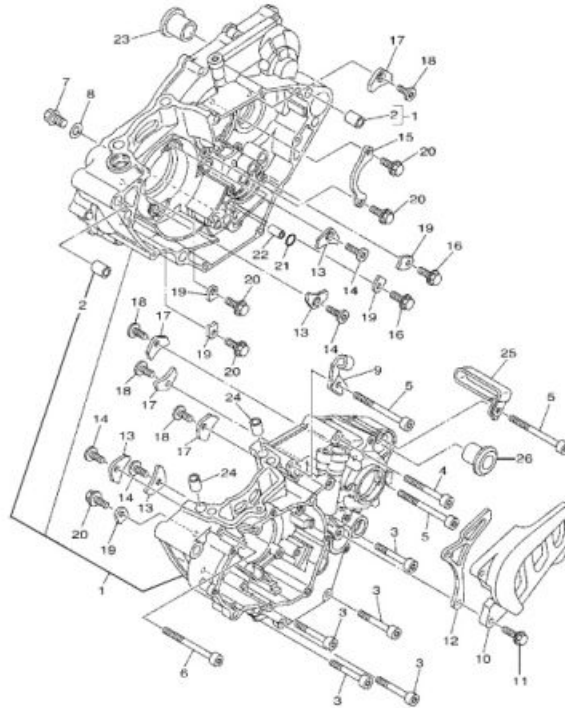
	NOZZLE (GDDUP) 5TJ-14916-9P (u. 1)
	NOZZLE (GDDUM) 5TJ-14916-9M (u. 1)
	NOZZLE (GDDUR) 5TJ-14916-9R (u. 1)
12	NOZZLE (GDDUN) 5TJ-14916-9N (u. 1)
	NOZZLE (GDDUQ) 5TJ-14916-91 (u. 1)
	NOZZLE (GDDUT) 5TJ-14916-9T (u. 1)
	OBSOLETE : NOZZLE (GDDUS) <b>OBSOLETE</b> 5TJ-14916-9S (u. 1)
13	CLIP EC 250 4T 2010 3TJ-14159-40 (u. 1)
14	SCREWW, ADJUST EC 250 4T 2010 5JG-14521-00 (u. 1)
15	SPRING EC 250 4T 2010 5JG-14275-00 (u. 1)
16	COLLAR EC 250 4T 2010 5JG-14264-00 (u. 1)
17	JET, NOZZLE 5TJ-14947-00 (u. 1)
	JET, MAIN (168) EC 250 4T 2010 4MX-14943-91 (u. 1)
	JET, MAIN (175) EC 250 4T 2010 4MX-14943-42 (u. 1)
	JET, MAIN (185) 4MX-14943-44 (u. 1)
	JET, MAIN (160) EC 250 4T 2010 4MX-14943-39 (u. 1)
	JET, MAIN (182) 4MX-14943-94 (u. 1)
18	JET, MAIN (172) EC 250 4T 2010 4MX-14943-92 (u. 1)
	OBSOLETE : JET, MAIN (170) EC 250 4T 2010 <b>OBSOLETE</b> 4MX-14943-41 (u. 1)
	JET, MAIN (165) EC 250 4T 2010 4MX-14943-40 (u. 1)
	JET, MAIN (180) 4MX-14943-43 (u. 1)
	JET, MAIN (178) EC 250 4T 2010 4MX-14943-93 (u. 1)
	OBSOLETE : JET, MAIN (162) EC 250 4T 2010 <b>OBSOLETE</b> 4MX-14943-90 (u. 1)
	JET, SLOW (55) 4MX-14948-09 (u. 1)
	JET, SLOW (45) EC 250 4T 2010 4MX-14948-05 (u. 1)
19	JET, SLOW (52) 4MX-14948-08 (u. 1)
	OBSOLETE : JET, SLOW (50) <b>OBSOLETE</b> 4MX-14948-07 (u. 1)
	OBSOLETE : JET, SLOW (48) <b>OBSOLETE</b> 4MX-14948-06 (u. 1)

	JET (65) 3TJ-1494F-13 (u. 1)
	JET (70) EC 250 4TG 2010 3TJ-1494F-15 (u. 1)
20	JET (68) EC 250 4T 2010 3TJ-1494F-14 (u. 1)
	JET (62) 3TJ-1494F-12 (u. 1)
	JET (60) 3TJ-1494F-11 (u. 1)
21	OBSOLETE : JET, MAIN (70) EC 250 4T 2010 <b>OBSOLETE</b> 5TA-14943-15 (u. 1)
	JET (65) EC 250 4T 2010 4JT-1494F-13 (u. 1)
	JET (55) 4JT-1494F-09 (u. 1)
	JET (35) 4JT-1494F-01 (u. 1)
22	JET (45) 4JT-1494F-05 (u. 1)
	JET (40) 4JT-1494F-03 (u. 1)
	OBSOLETE : JET FUGA (50) EC 250 4T 2010 <b>OBSOLETE</b> 4JT-1494F-07 (u. 1)
	OBSOLETE : JET (60) EC 250 4T 2010 <b>OBSOLETE</b> 4JT-1494F-11 (u. 1)
23	OBSOLETE : PILOT SCREW SET EC 250 4T 2010 <b>OBSOLETE</b> 5NL-14105-00 (u. 1)
24	FLOAT EC 250 4T 2010 4SR-14985-00 (u. 1)
25	OBSOLETE : PIN, FLOAT ARM EC 250 4T 2010 <b>OBSOLETE</b> 676-14548-00 (u. 1)
26	VALVE, NOZZLE EC 250 4T 2010 4MX-14392-00 (u. 1)
27	CLIP EC 250 4T 2010 633-14159-00 (u. 1)
28	OBSOLETE : GASKET, FLOAT CHAMBER EC 250 4T 2010 <b>OBSOLETE</b> 5JG-14984-00 (u. 1)
29	PLUG, DRAIN EC 250 4T 2010 3TJ-14191-40 (u. 1)
30	COVER 1 EC 250 4T 2010 3TJ-14293-40 (u. 1)
	DIAPHRAGM, ACC PUMP 5JG-14940-19 (u. 1)
31	DIAPHRAGM ASSY EC 250 4T 2010 5JG-14940-18 (u. 1)
	OF APHRAGM ASSY EC 250 4T 2010 5JG-14940-17 (u. 1)
32	GASKET EC 250 4T 2010 3TJ-14536-40 (u. 1)
33	SPRING, DIAPHRAGM 5GS-14933-40 (u. 1)
34	O-RING EC 250 4T 2010 6H4-14561-00 (u. 1)
35	OBSOLETE : PLUNGER, STARTER <b>OBSOLETE</b> 5XC-14171-00 (u. 1)

36	PLUNGER, STARTER EC 250 4T 2010 5TA-14371-00 (u. 1)
37	SPRING, PLUNGER EC 250 4T 2010 5TA-14335-00 (u. 1)
38	OBSOLETE : SCREW EC 250 4T 2010 <b>OBSOLETE</b> 5TA-14991-00 (u. 1)
39	(ENDURO) CARBURATOR LEVER COMP (4T) (2013-2015) 2S2-14208-00 (u. 1)
40	OBSOLETE : GUIDE , CABLE EC 250 4T 2010 <b>OBSOLETE</b> 5TA-14155-00 (u. 1)
41	SEAL EC 250 4T 2010 5TA-14997-00 (u. 1)
42	ROD.STARTER EC 250 4T 2010 5JG-14379-00 (u. 1)
43	SCREW, THROTTLE 5XC-14922-00 (u. 1)
44	WASHER, PLATE EC 250 4T 2010 90201-08410 (u. 1)
45	SPRING, THROTTLE STOP EC 250 4T 2010 5TA-14934-00 (u. 1)
46	OBSOLETE : THROTTLE SENSOR ASSY <b>OBSOLETE</b> 5XC-85885-00 (u. 1)
47	O-RING EC 250 4T 2010 5NX-14562-00 (u. 1)
48	SCREW EC 250 4T 2010 5NX-14216-00 (u. 1)
49	O-RING EC 250 4T 2010 4MX-14561-00 (u. 1)
50	PLUG, SCREW EC 250 4T 2010 4MX-14115-00 (u. 1)
51	CLIP EC 250 4T 2010 3TJ-14137-40 (u. 1)
52	PLATE EC 250 4T 2010 5BE-14146-00 (u. 1)
53	HOLOF R EC 250 4T 2010 5TA-14261-00 (u. 1)
54	PIPE EC 250 4T 2010 5UL-14196-00 (u. 1)
55	PIPE EC 250 4T 2010 5TA-14197-00 (u. 1)
56	HOSE, EC 250 4T 2010 5TJ-14987-00 (u. 1)
57	PLATE EC 250 4T 2010 5JG-14346-00 (u. 1)
58	SCREW EC 250 4T 2010 5JG-14565-00 (u. 1)
59	SPRING, ADJUST SCREW EC 250 4T 2010 5JG-14531-00 (u. 1)
60	SCREW 5TJ-14591-10 (u. 1)
61	PLATE, EC 250 4T 2010 5PA-14146-00 (u. 1)
62	STOP THROTTLE CABLE ME250690010 (u. 1)
63	OBSOLETE : COVER, DIAPHRAGM EC 250 4T 2010 <b>OBSOLETE</b> 5GS-14958-00 (u. 1)

64	SPRING, DIAPHRAGM EC 250 4T 2010 5GS-14933-00 (u. 1)
65	SREW, PAN HEAD 98502-04010 (u. 1)
66	WASHER, SPRING 92902-04100 (u. 1)
67	O-RING 3TJ-14564-40 (u. 1)
68	PIPE 5UM-14197-00 (u. 1)

**CARTER DE MOTOR 250, 300**

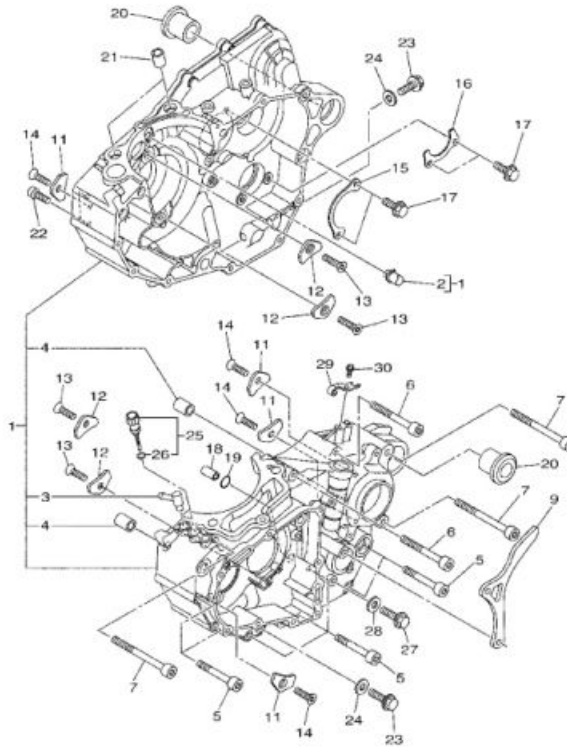


2	PIN, DOWEL EC 250 4T 2010 93612-16254 (u. 1)
8	GASKET EC 250 4T 2010 90430-10188 (u. 1)
9	HOLOF R, CLUTCH CABLE EC 250 4T 2010 5NL-15441-01 (u. 1)
10	GEAR PROT. EC-250 4T 2010 BFS486002510 (u. 1)
11	OBSOLETE : 0/000.460.9121 : FLANGE BOLT 6x25 10.9 : T0206025/2 <b>OBSOLETE</b> T0206025 (u. 1) FLANGE BOLT 6x25 10.9 : T0206025/2 : T0206025 0/000.460.9121 (u. 1)
12	GUIDE CHAIN 14T 250-300CC (CEX) 5UM-17466-00 (u. 1) GUIDE CHAIN (13T) <b>OBSOLETE</b> 5NL-17466-00 (u. 1)
13	(ENDURO) BEARING COVER PLATE (4T) 5BE-15383-01 (u. 1)
14	OBSOLETE : SCREW, COUNTERSUNK <b>OBSOLETE</b> 90151-06044 (u. 1)
15	PLATE, BEARING COVER EC 250 4T 2010 5NL-15388-00 (u. 1)
17	PLATE, BEARING COVER EC 250 4T 2010 : 5BR-15383-01 4JT-15381-01 (u. 1)
18	SCREW 90149-06074 (u. 1)
19	PLATE, STOPPER 2 EC 250 4T 2010 5DH-18562-00 (u. 1)
21	OBSOLETE : O-RING EC 250 4T (2010) <b>OBSOLETE</b> 93210-10197 (u. 1)

22	PIN, DOWEL EC 250 4T 2010 99530-10114 (u. 1)
23	RIGHT CRANKCASE ESPACER.EC 250 4T 201 BFS445102510 (u. 1)
24	PIN, DOWEL EC 250 4T 2010 99530-10116 (u. 1)
25	CLAMP EC 250 4T 2010 90465-10013 (u. 1)
26	SPCR,CRANKCASE/SWINGARM EC250 4T 2010 BFS445152510 (u. 1)

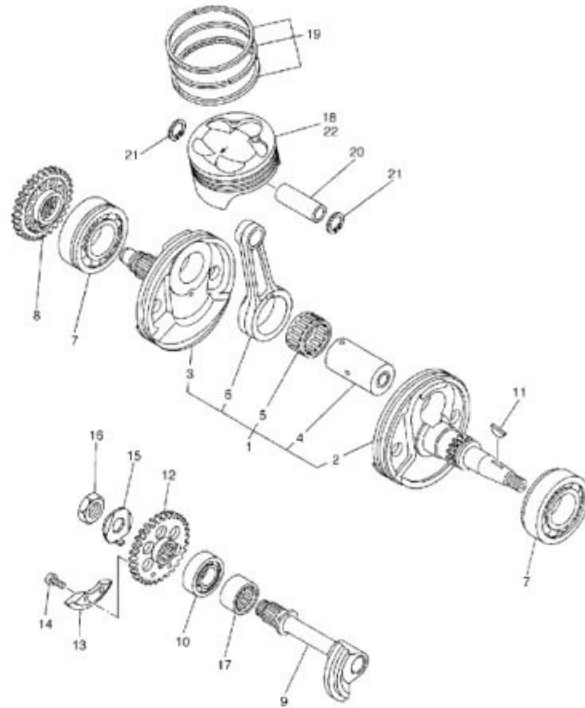


**CARTER DE MOTOR 450**



1	CRANKCASE ASSY 2S2-15100-39 (u. 1)
4	PIN DOWEL 99530-14016 (u. 1)
9	OBSOLETE : GUIDE CHAIN (13T) <b>OBSOLETE</b> 2S2-17466-00 (u. 1)
11	PLATE, BEARING COVER EC 250 4T 2010 : 5BR-15383-01 4JT-15381-01 (u. 1)
12	(ENDURO) BEARING COVER PLATE (4T) 5BE-15383-01 (u. 1)
13	SCREW COUNTERSUNK 90151-06071 (u. 1)
14	SCREW 90149-06074 (u. 1)
18	PIN, DOWEL EC 250 4T 2010 99530-10114 (u. 1)
19	OBSOLETE : O-RING EC 250 4T (2010) <b>OBSOLETE</b> 93210-10197 (u. 1)
20	RIGHT CRANKCASE ESPACER.EC 250 4T 201 BFS445102510 (u. 1)
21	PIN DOWEL 99530-14016 (u. 1)
22	BOLT 91312-06030 (u. 1)
24	OBSOLETE : GASKET EC 250 4T 2010 <b>OBSOLETE</b> 90430-08119 (u. 1)
28	OBSOLETE : GASKET EC 250 4T 2010 <b>OBSOLETE</b> 90430-06014 (u. 1)

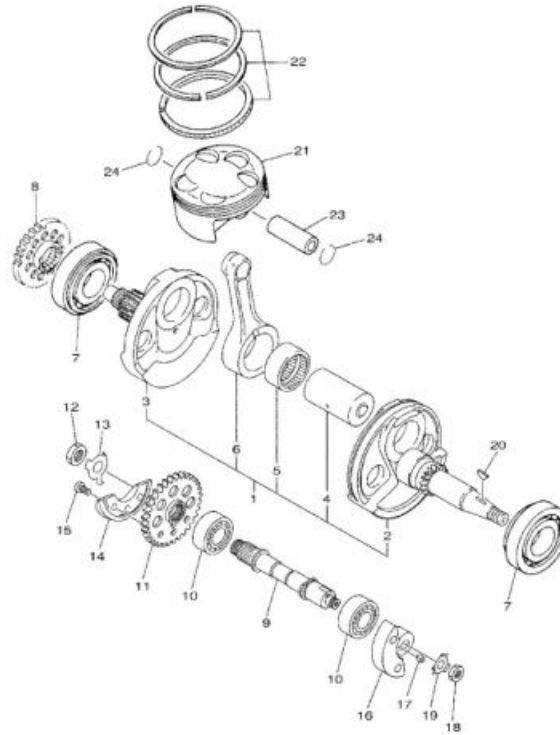
**CIGUENAL - PISTON 250, 300**



5	BEARING EC 250 4T 2010 93310-63238 (u. 1)
	ROD.CONNECTING EC 250 4T 2010 <b>OBSOLETE</b> 5XC-11651-00 (u. 1)
6	CONNECTING ROD EC 250 4T : 5UL-11651-00, 5XC-11651-00 17D-11651-90 (u. 1)
	CONNECTING ROD EC 250 4T : 5UL-11651-00, 5XC-11651-00 17D-11651-90 (u. 1)
7	BEARING EC 250 4T 2010 93306-20648 (u. 1)
8	GEAR DRIVE EC 250 4T 2010 : 5NL-11536-00 5NL-11536-10 (u. 1)
9	SHAFT 1 EC 250 4T 2010 5NL-11455-00 (u. 1)
10	BEARING EC 250 4T 2010 93306-20335 (u. 1)
11	<b>OBSOLETE</b> : KEY, WOODRUFF EC 250 4T 2010 <b>OBSOLETE</b> 90280-03006 (u. 1)
12	GEAR, BALANCE WEIGHT EC 250 4T 2010 5NL-11531-00 (u. 1)
13	WEIGHT 1 EC 250 4T 2010 5NL-11454-00 (u. 1)
15	<b>OBSOLETE</b> : WASHER, LOCK EC 250 4T 2010 <b>OBSOLETE</b> 90215-14204 (u. 1)
16	NUT EC 250 4T 2010 90170-14171 (u. 1)
17	<b>OBSOLETE</b> : BEARING EC 250 4T 2010 <b>OBSOLETE</b> 93311-32261 (u. 1)
18	<b>OBSOLETE</b> : PISTON EC 250 4T 2010 <b>OBSOLETE</b> 5NL-11631-20 (u. 1)

<b>19</b>	OBSOLETE : PISTON RING SET EC 250 4T 2010 <b>OBSOLETE</b> 5NL-11603-00 (u. 1) - 250
	KIT SEGMENTOS 300CC 4T(S41316133) MF70000023012 (u. 1) - 300
<b>20</b>	PIN, PISTON EC 250 4T 2010 5NL-11633-00 (u. 1)
<b>21</b>	OBSOLETE : CIRCLIP EC 250 4T 2010 <b>OBSOLETE</b> 93420-16086 (u. 1)
<b>22</b>	SET PISTON 300 4T A (82,95)(S4F0830000 MF70000013012 (u. 1) - 300
	OBSOLETE : PISTON EC 250 4T 2010 <b>OBSOLETE</b> 5NL-11631-20 (u. 1) - 250
	SET PISTON 300 4T B (82,96) MF70000033012 (u. 1)

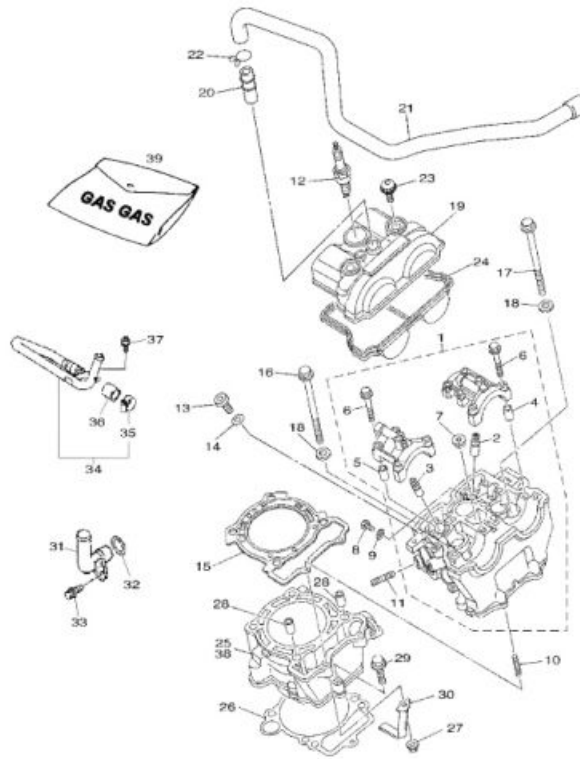
**CIGUENAL - PISTON 450**



1	CRANKSHAFT ASSY 1DX-11400-00 (u. 1)
2	CRANK 1 1DX-11412-00 (u. 1)
3	CRANK 2 1DX-11422-00 (u. 1)
4	PIN CRANK 1 5TG-11681-01 (u. 1)
5	BEARING 93310-63458 (u. 1)
6	ROD.CONNECTING 1DX-11651-00 (u. 1)
7	OBSOLETE : BEARING <b>OBSOLETE</b> 93306-30633 (u. 1)
8	GEAR DRIVE 2S2-11536-00 (u. 1)
9	SHAFT 1 2S2-11455-00 (u. 1)
10	BEARING 93304-20310 (u. 1)
11	GEAR BALANCE WEIGHT 2S2-11531-00 (u. 1)
12	NUT EC 250 4T 2010 90170-14171 (u. 1)
13	WASHER LOCK 90215-14287 (u. 1)
14	WEIGHT 1 1DX-11454-00 (u. 1)
15	SCREW 90149-06158 (u. 1)

16	WEIGHT 2 2S2-11464-00 (u. 1)
17	KEY STRAIGHT 90282-05034 (u. 1)
18	NUT 90170-10405 (u. 1)
19	WASHER LOCK 90215-10009 (u. 1)
20	OBSOLETE : KEY, WOODRUFF EC 250 4T 2010 <b>OBSOLETE</b> 90280-03006 (u. 1)
21	OBSOLETE : PISTON <b>OBSOLETE</b> 1DX-11631-00 (u. 1)
22	PISTON RING SET(STD) 5JG-11603-00 (u. 1)
23	PIN PISTON 33D-11633-00 (u. 1)
24	CIRCLIP 93450-19052 (u. 1)

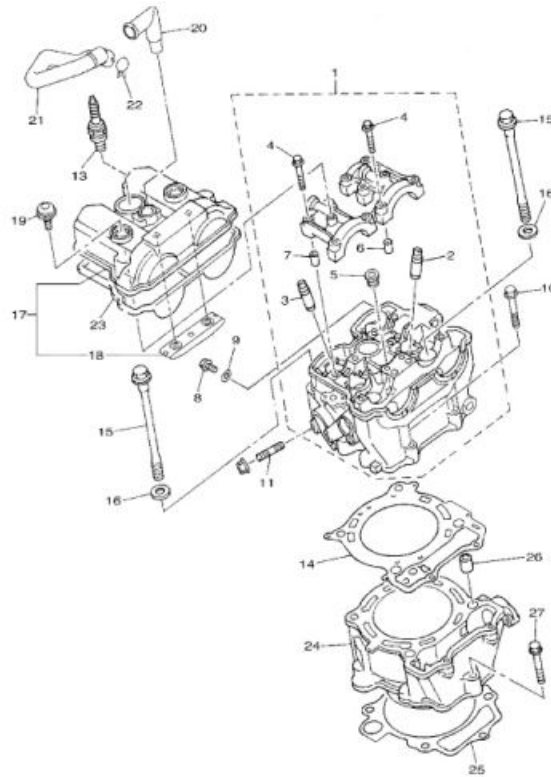
**CILINDRO - CULATA CILINDRO 250, 300**



1	CYLINDER HEAD ASSY 250 - 300 4t <b>OBSOLETE</b> 5UM-11101-10 (u. 1)
2	GUIDE , VALVE 1 EC 250 4T 2010 5NL-11133-10 (u. 1)
3	GUIDE , VALVE 2 EC 250 4T 2010 5NL-11134-10 (u. 1)
4	PIN, DOWEL EC 250 4T 2010 91808-16023 (u. 1)
5	PIN, DOWEL EC 250 4T 2010 91808-16023 (u. 1)
6	BOLT, FLANGE EC 250 4T 2010 90105-06027 (u. 1)
7	PLUG STRAIGHT SCREW 90340-12007 (u. 1)
8	BOLT FLANGE 95022-06010 (u. 1)
9	<b>OBSOLETE : GASKET EC 250 4T 2010</b> <b>OBSOLETE</b> 90430-06014 (u. 1)
12	PLUG, SPARK (NGK R CR) 94701-00410 (u. 1)
13	PLUG STRAIGHT SCREW 90340-12007 (u. 1)
15	<b>OBSOLETE : GASKET, CYLINDER HEAD 1 EC 250 4T 2010</b> <b>OBSOLETE</b> 5NL-11181-00 (u. 1)
16	BOLT, FLANGE EC 250 4T 2010 90105-09004 (u. 1)
17	BOLT, FLANGE EC 250 4T 2010 90105-09002 (u. 1)
20	PIPE, BREATHER 2 EC 250 4T 2010 371-11167-01 (u. 1)

23	OBSOLETE : BOLT COVER HEAD <b>OBSOLETE</b> 5UM-1119E-00 (u. 1)
24	OBSOLETE : GASKET, HEAD COVER 1 EC 250 4T 2010 <b>OBSOLETE</b> 5NL-11193-00 (u. 1)
26	OBSOLETE : GASKET, CYLINDER EC 250 4T 2010 <b>OBSOLETE</b> 5NL-11351-00 (u. 1)
28	PIN, DOWEL EC 250 4T 2010 93612-16254 (u. 1)
29	BOLT FLANGE 95022-06035 (u. 1)
30	CLAMP, HOSE 1 EC 250 4T 2010 5UM-11387-00 (u. 1)
38	SET CYLINDER YAMAHA 290CC 4T MF70000003012 (u. 1)
39	SET SEAL S CIL.300 CC 4T(P400485160007 MF90000013012 (u. 1)

**CILINDRO - CULATA CILINDRO 450**

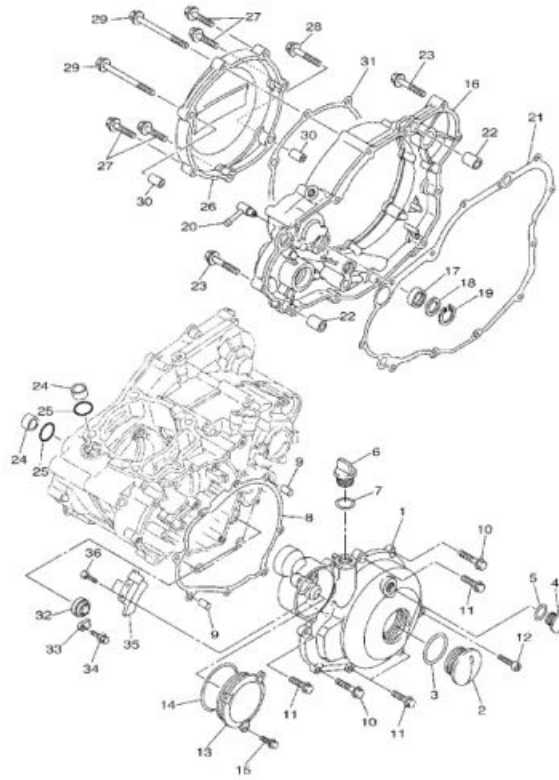


1	CYLINOF R HEAD ASSY 5TJ-11101-10 (u. 1)
2	CONNECTOR SUCTION PIPE 353-13115-01 (u. 1)
3	GUIDE VALVE 1 5TA-11133-10 (u. 1)
4	GUIDE VALVE 2 5TA-11134-10 (u. 1)
5	BOLT, FLANGE EC 250 4T 2010 90105-06027 (u. 1)
6	PLUG STRAIGHT SCREW 90340-12007 (u. 1)
7	PIN, DOWEL EC 250 4T 2010 91808-16023 (u. 1)
8	BOLT FLANGE 95022-06010 (u. 1)
9	OBSOLETE : GASKET EC 250 4T 2010 <b>OBSOLETE</b> 90430-06014 (u. 1)
10	BOLT FLANGE 95022-06035 (u. 1)
11	BOLT STUD 90116-08022 (u. 1)
13	NGK CR8 E SPARK PLUG : 94701-00411 MFS400134000 (u. 1)
	NGK CR8 E SPARK PLUG : 94701-00411 MFS400134000 (u. 1)
	PLUG, SPARK (NGK R CR8E) EC 250 4T 2010 <b>OBSOLETE</b> 94701-00411 (u. 1)
14	GASKET CYLINOF R HEAD 1 2S2-11181-00 (u. 1)



15	BOLT FLANGE 90105-10163 (u. 1)
16	WASHER PLATE 90201-10025 (u. 1)
17	COVER CYLINO F R HEAD 1 2S2-11190-20 (u. 1)
18	GUIDE , STOPPER 2 EC 250 4T 2010 5BE-12241-00 (u. 1)
19	OBSOLETE : BOLT COVER HEAD <b>OBSOLETE</b> 5UM-1119E-00 (u. 1)
20	PIPE BREATHER 2 3P6-11167-00 (u. 1)
21	PIPE BREATHER 1 5TJ-11166-10 (u. 1)
22	CLIP 90467-160A4 (u. 1)
23	OBSOLETE : GASKET HEAD COVER 1 <b>OBSOLETE</b> 2S2-11193-00 (u. 1)
24	CYLINO F R 1 2S2-11311-20 (u. 1)
25	OBSOLETE : GASKET CYLINO F R <b>OBSOLETE</b> 2S2-11351-00 (u. 1)
26	PIN, DOWEL EC 250 4T 2010 93612-16254 (u. 1)
27	BOLT FLANGE 95022-06035 (u. 1)

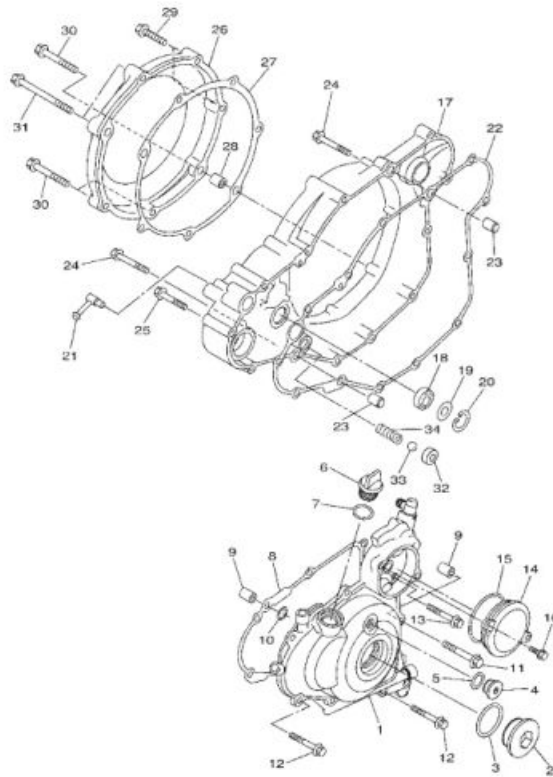
**CUBIERTA CARTER MOTOR 250, 300**



1	OBSOLETE : COVER, CRANKCASE 3 EC 2012 5UM-15411-20 (u. 1)
2	OBSOLETE : PLUG, STRAIGHT SECREW 90340-27004 (u. 1)
3	OBSOLETE : O-RING EC 250 4T 2010 : 93210-27370 93210-27778 (u. 1)
	OBSOLETE : O-RING EC 250 4T 2010 : 93210-27370 93210-27778 (u. 1)
	O-RING EC 250 4T 2010 93210-27370 (u. 1)
4	OLUG, STRAIGHT SCREW 90340-14015 (u. 1)
5	OBSOLETE : O- RING EC 250 4T 2010 93210-14369 (u. 1)
6	PLUG, OIL EC 250 4T 2010 : 3Y1-15363-00 3Y1-15363-10 (u. 1)
7	O- RING EC 250 4T 2010 93210-19123 (u. 1)
8	OBSOLETE : GASKET, CRANKCASE COVER 1 5UM-15451-00 (u. 1)
9	PIN, DOWEL EC 250 4T 2010 99530-08016 (u. 1)
11	BOLT, FLANGE 95022-06030 (u. 1)
13	COVER ASSY 2 EC 250 4T 2012 5UM-1549B-20 (u. 1)
14	OBSOLETE : O-RING EC250 4T 2010 93210-60426 (u. 1)
17	OIL SEAL EC 250 4T 2010 93101-14164 (u. 1)

18	WASHER, PLATE EC 250 4T 2010 90201-15701 (u. 1)
19	CIRCLIP EC 250 4T 2010 99009-22500 (u. 1)
20	OBSOLETE : CASE CAP YAMAHA <b>OBSOLETE</b> MF15000012512 (u. 1)
21	OBSOLETE : GASKET, CRANKCASE COVER 3 EC 250 4T 2010 <b>OBSOLETE</b> 5NL-15462-00 (u. 1)
22	PIN, DOWEL EC 250 4T 2010 91812-16001 (u. 1)
23	BOLT FLANGE 95022-06035 (u. 1)
24	OBSOLETE : PIPE, WATER EC 250 4T 2010 <b>OBSOLETE</b> 5NL-12564-00 (u. 1)
25	OBSOLETE : O-RING EC 250 4T (2010) <b>OBSOLETE</b> 93210-16716 (u. 1)
26	OBSOLETE : COVER 1 EC 250 4T 2013 BLACK <b>OBSOLETE</b> 5NL-15415-30 (u. 1)
27	OBSOLETE : BOLT, FLANGE <b>OBSOLETE</b> 95022-06025 (u. 1)
28	BOLT FLANGE 95022-06035 (u. 1)
30	PIN, DOWEL EC 250 4T 2010 99530-08016 (u. 1)
32	GAUGE LEVEL 3Y1-15361-00 (u. 1)
35	CLAMP 1 EC 250 4T 2010 5UM-81528-00 (u. 1)

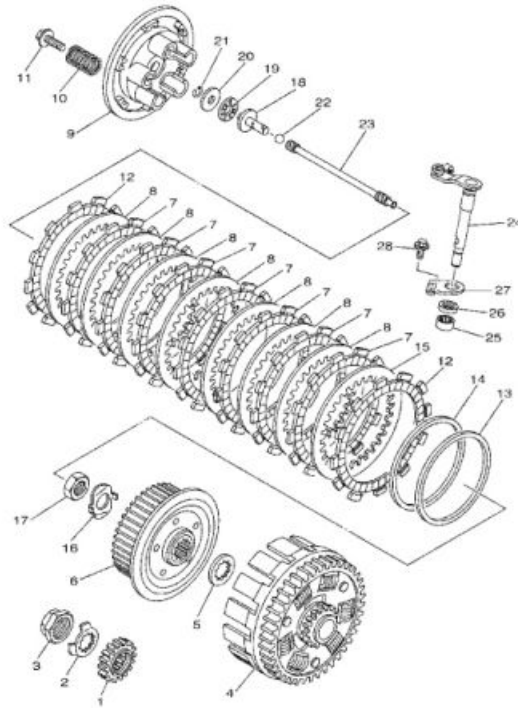
**CUBIERTA CARTER MOTOR 450**



1	<b>OBSOLETE : COVER CRANKCASE 1OBSOLETE</b> 5TJ-15411-30 (u. 1)
2	PLUG, STRAIGHT SCREW 90340-27006 (u. 1)
3	<b>OBSOLETE : O-RING EC 250 4T 2010 : 93210-27370OBSOLETE</b> 93210-27778 (u. 1)
3	<b>O-RING EC 250 4T 2010OBSOLETE</b> 93210-27370 (u. 1)
3	<b>OBSOLETE : O-RING EC 250 4T 2010 : 93210-27370OBSOLETE</b> 93210-27778 (u. 1)
4	PLUG STRAIGHT SCREW 90340-14011 (u. 1)
5	<b>OBSOLETE : O- RING EC 250 4T 2010OBSOLETE</b> 93210-14369 (u. 1)
6	PLUG, OIL EC 250 4T 2010 : 3Y1-15363-00 3Y1-15363-10 (u. 1)
7	O- RING EC 250 4T 2010 93210-19123 (u. 1)
8	<b>OBSOLETE : GASKET CRANKCASE COVER 1OBSOLETE</b> 2S2-15451-00 (u. 1)
9	PIN, DOWEL EC 250 4T 2010 99530-08016 (u. 1)
10	O-RING 93210-08003 (u. 1)
12	BOLT, FLANGE 95022-06030 (u. 1)
14	COVER ASSY 2 5TJ-1549B-20 (u. 1)
15	O-RING 93210-58346 (u. 1)

17	COVER, CRANKCASE 3 1DX-15431-00 (u. 1)
18	OIL SEAL EC 250 4T 2010 93101-14164 (u. 1)
19	WASHER, PLATE EC 250 4T 2010 90201-15701 (u. 1)
20	CIRCLIP EC 250 4T 2010 99009-22500 (u. 1)
22	OBSOLETE : GASKET CRANCKASE COVER 3 <b>OBSOLETE</b> 2S2-15462-10 (u. 1)
23	PIN, DOWEL EC 250 4T 2010 91812-16001 (u. 1)
25	BOLT, FLANGE 95022-06030 (u. 1)
26	COVER GENERATOR 5TA-15415-20 (u. 1)
27	GASKET 5TA-15453-00 (u. 1)
28	PIN, DOWEL EC 250 4T 2010 99530-08016 (u. 1)
29	BOLT, FLANGE 95022-06030 (u. 1)
32	SEAT, CHECK BALL EC 250 4T 2010 583-13113-00 (u. 1)
33	BALL EC 250 4T 2010 93503-08007 (u. 1)
34	SPRING, COMPRESSION EC 250 4T 2010 90501-043E0 (u. 1)

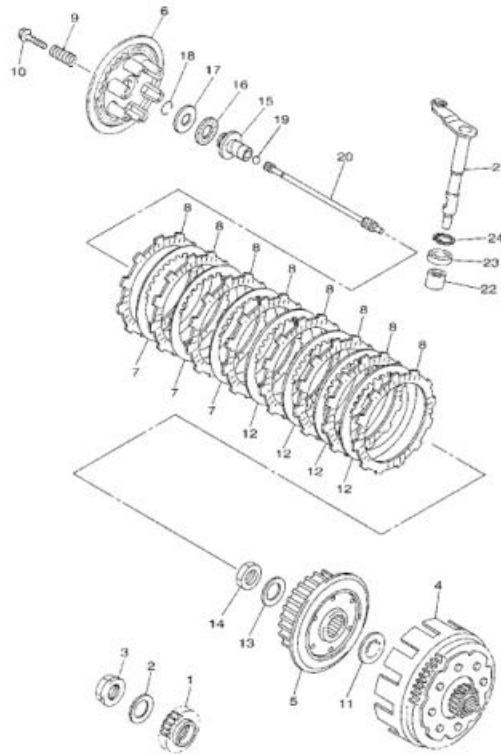
**EMBRAGUE 250, 300**



2	OBSOLETE : LOCK WASHER EC 250 259 4T 2010 <b>OBSOLETE</b> 90215-20003 (u. 1)
3	NUT EC 250 4T 2010 90179-18001 (u. 1)
4	CLUCTH OUTER ASSY. 5XC-16150-00 (u. 1)
5	PLATE, THRUST 1 EC 250 4T 2010 5NL-16154-00 (u. 1)
6	OBSOLETE : BOSS, CLUTCH EC 250 4T 2010 : 5NL-16371-00 <b>OBSOLETE</b> 5NL-16371-01 (u. 1)
7	OBSOLETE : PLATE FRICTION <b>OBSOLETE</b> 5XC-16321-00 (u. 1)
8	CLUTCH PLATE, 2 EC 250 4T 2010 5NL-16325-00 (u. 1)
9	PLATE, PRESSURE 1 EC 250 4T 2010 5HD-16351-00 (u. 1)
10	SPRING, COMPRESSION EC 250 4T 2010 90501-220A0 (u. 1)
11	SCREW, EC 250 4T 2010 90159-06092 (u. 1)
12	PLATE FRICCION EC 250 4T 2010 3XJ-16321-00 (u. 1)
13	OBSOLETE : PLATE, SEAT EC 250 4T 2010 <b>OBSOLETE</b> 5NL-16384-00 (u. 1)
14	OBSOLETE : SPRING, CLUTCH BOSS EC 250 4T 2010 <b>OBSOLETE</b> 5NL-16383-10 (u. 1)
15	PLATE CLUTCH 2 EC 250 4T 2010 5NL-16325-10 (u. 1)
16	OBSOLETE : WASHER, LOCK EC 250 4T 2010 <b>OBSOLETE</b> 90215-16289 (u. 1)

17	NUT EC 250 4T 2010 90170-16326 (u. 1)
19	BEARING EC 250 4T 2010 93340-21008 (u. 1)
20	WASHER, PLATE EC 250 4T 2010 90201-080H1 (u. 1)
21	CIRCLIP EC 250 4T 2010 93440-07182 (u. 1)
22	OBSOLETE : BALL EC 250 4T 2010 <b>OBSOLETE</b> 93511-32027 (u. 1)
23	OBSOLETE : ROD.PUSH 2 EC 250 4T 2010 <b>OBSOLETE</b> 5NL-16357-10 (u. 1)
25	BEARING EC 250 4T 2010 93317-11287 (u. 1)
26	OBSOLETE : OIL SEAL EC 250 4T 2010 93102-12224 (u. 1)
27	PLATE, SEAT EC 250 4T 2010 4JT-16384-00 (u. 1)
28	BOLT FLANGE 95022-06010 (u. 1)

**EMBRAGUE 450**



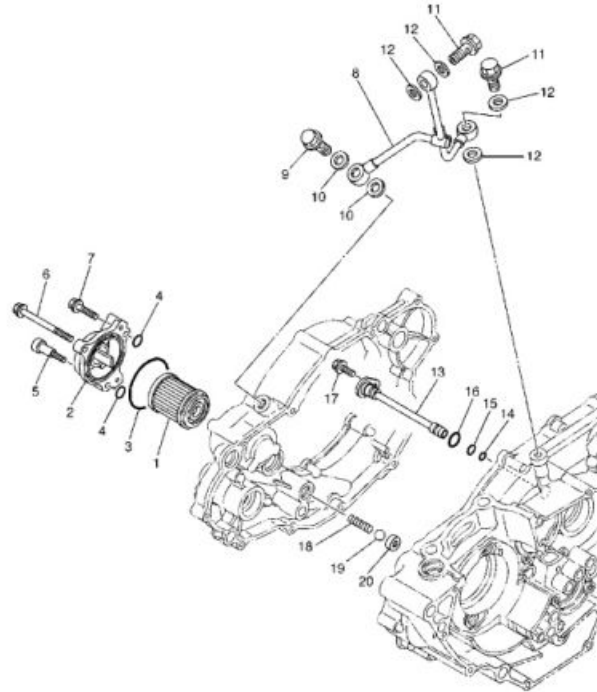
  
TDX1300-L160

1	GEAR PRIMARY DRIVE 2S2-16111-60 (u. 1)
2	WASHER CONICAL SPRING 90208-25045 (u. 1)
3	NUT 90179-20009 (u. 1)
4	PRIMARY CLUCTH OUTER COMP. 5XD-16150-60 (u. 1)
5	BOSS CLUTCH 5TA-16371-10 (u. 1)
6	PLATE PRESSURE 1 5JG-16351-00 (u. 1)
7	OBSOLETE : PLATE CLUTCH 2 <b>OBSOLETE</b> 4X7-16325-00 (u. 1)
8	PLATE FRICTION 5TA-16321-00 (u. 1)
9	SPRING COMPRESSION 90501-237L0 (u. 1)
10	SCREW, EC 250 4T 2010 90159-06092 (u. 1)
11	PLATE, THRUST 1 5XD-16154-00 (u. 1)
12	OBSOLETE : PLATE CLUTCH 2 <b>OBSOLETE</b> 1TA-16325-00 (u. 1)
13	WASHER LOCK 90215-20005 (u. 1)
14	NUT 90170-20327 (u. 1)
15	OBSOLETE : ROD, PUSH 1 <b>OBSOLETE</b> 5JG-16356-00 (u. 1)



16	BEARING 93340-21505 (u. 1)
17	WASHER PLATE 90201-125L6 (u. 1)
18	CIRCLIP 93440-10085 (u. 1)
19	OBSOLETE : BALL EC 250 4T 2010 <b>OBSOLETE</b> 93511-32027 (u. 1)
20	ROD PUSH 2 2S2-16357-00 (u. 1)
21	OBSOLETE : PUSH LEVER COMP (4T) (2013-2015) <b>OBSOLETE</b> 5TJ-16381-20 (u. 1)
22	BEARING EC 250 4T 2010 93317-11287 (u. 1)
23	OBSOLETE : OIL SEAL EC 250 4T 2010 93102-12224 (u. 1)
24	CIRCLIP 99009-20500 (u. 1)

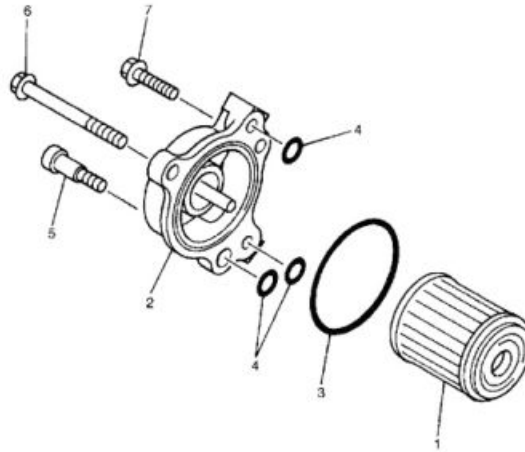
**FILTRO DE ACEITE 250, 300**



	ELEMENT ASSY, OIL CLEANER EC 250 4T 2010 : 5D3-13440-00 5TA-13440-00 (u. 1)
1	ELEMENT ASSY, OIL CLEANER EC 250 4T 2010 <b>OBSOLETE</b> 5D3-13440-00 (u. 1)
	ELEMENT ASSY, OIL CLEANER EC 250 4T 2010 : 5D3-13440-00 5TA-13440-00 (u. 1)
2	COVER, OIL ELEMENT 5BE-13447-20 (u. 1)
3	<b>OBSOLETE</b> : O-RING EC 250 4T 2010 <b>OBSOLETE</b> 93210-47675 (u. 1)
4	<b>OBSOLETE</b> : O-RING EC 250 4T 2010 <b>OBSOLETE</b> 93210-07135 (u. 1)
5	BOLT HEXAGON SOCKET 90110-06228 (u. 1)
6	BOLT 91312-06065 (u. 1)
9	GASKET 90401-10015 (u. 1)
10	GASKET EC 250 4T 2010 90430-10188 (u. 1)
11	BOLT , UNION 90401-08006 (u. 1)
12	<b>OBSOLETE</b> : GASKET EC 250 4T 2010 <b>OBSOLETE</b> 90430-08119 (u. 1)
14	O-RING EC 250 4T 2010 93210-07003 (u. 1)
18	SPRING, COMPRESSION EC 250 4T 2010 90501-043E0 (u. 1)
19	BALL EC 250 4T 2010 93503-08007 (u. 1)

20	SEAT, CHECK BALL EC 250 4T 2010 583-13113-00 (u. 1)
----	--------------------------------------------------------

**FILTRO DE ACEITE 450**



ELEMENT ASSY, OIL CLEANER EC 250 4T 2010 **OBSOLETE**  
5D3-13440-00 (u. 1)

**1** ELEMENT ASSY, OIL CLEANER EC 250 4T 2010 : 5D3-13440-00  
5TA-13440-00 (u. 1)

ELEMENT ASSY, OIL CLEANER EC 250 4T 2010 : 5D3-13440-00  
5TA-13440-00 (u. 1)

**2** COVER, OIL ELEMENT  
5BE-13447-20 (u. 1)

**3** OBSOLETE : O-RING EC 250 4T 2010 **OBSOLETE**  
93210-47675 (u. 1)

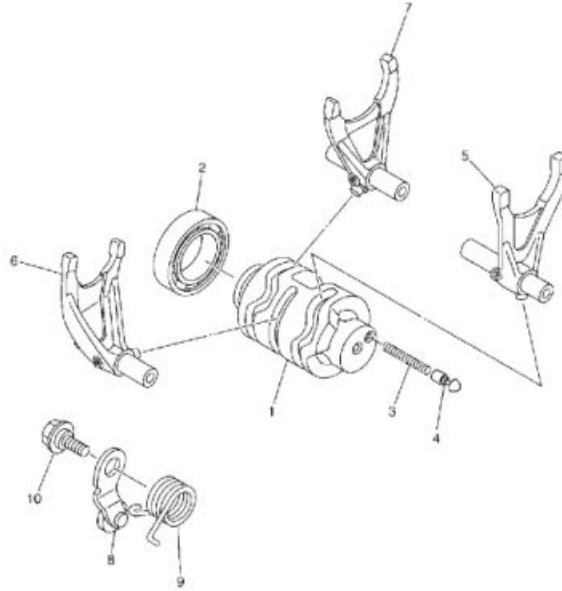
**4** OBSOLETE : O-RING EC 250 4T 2010 **OBSOLETE**  
93210-07135 (u. 1)

**5** BOLT HEXAGON SOCKET  
90110-06228 (u. 1)

**6** BOLT  
91312-06065 (u. 1)

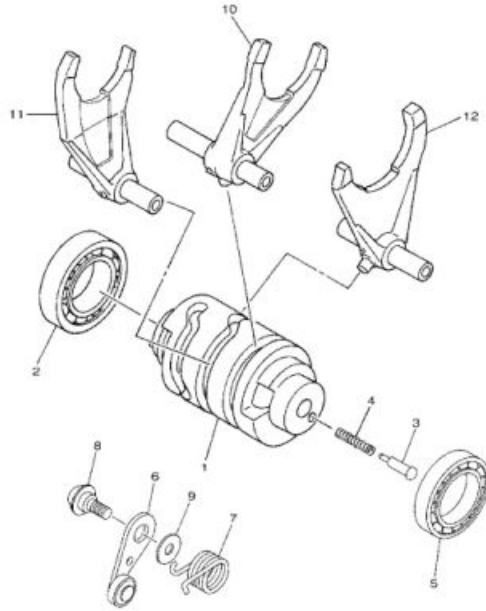
**7** OBSOLETE : BOLT **OBSOLETE**  
91312-06020 (u. 1)

**LEVA DE CAMBIO, HORQUILLAS 250, 300**



1	CAM, SHIFT EC 250 4T 2010 5NL-18541-00 (u. 1)
2	BEARING 93306-90509 (u. 1)
3	OBSOLETE : SPRING, COMPRESSION EC 250 4T 2010 <b>OBSOLETE</b> 90501-06022 (u. 1)
4	POINT, NEUTRAL 4UN-18542-00 (u. 1)
5	FORK, SHIFT 1 EC 250 4T 2010 5NL-18501-00 (u. 1)
6	OBSOLETE : FORK, SHIFT 2 EC 250 4T 2010 <b>OBSOLETE</b> 5NL-18502-00 (u. 1)
7	OBSOLETE : FORK, SHIFT 3 EC 250 4T 2010 <b>OBSOLETE</b> 5NL-18503-00 (u. 1)
8	(ENDURO) STOPPER LEVER ASSY (4T) (2010-2015) 3XK-18140-00 (u. 1)
9	SPRING, TORSION EC 250 4T 2010 90508-26561 (u. 1)

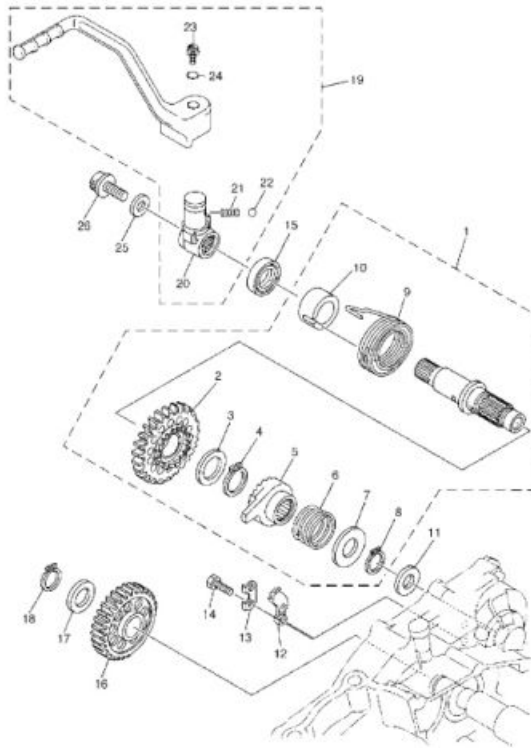
**LEVA DE CAMBIO, HORQUILLAS 450**



1DX1300-L180

1	CAM, SHIFT EC 250 4T 2010 5NL-18541-00 (u. 1)
2	BEARING 93306-90509 (u. 1)
4	OBSOLETE : SPRING, COMPRESSION EC 250 4T 2010 <b>OBSOLETE</b> 90501-06022 (u. 1)
6	(ENDURO) LEVER STOP ASSY (4T) (2013-2015) 2S2-18140-10 (u. 1)
7	SPRING TORSION 90508-26021 (u. 1)
9	WASHER PLATE 90201-06013 (u. 1)
10	FORK, SHIFT 1 34P-18501-00 (u. 1)
11	FORK SHIFT 2 1DX-18502-00 (u. 1)
12	FORK, SHIFT 3 34P-18503-00 (u. 1)

**PALANCA DE ARRANQUE 250, 300**

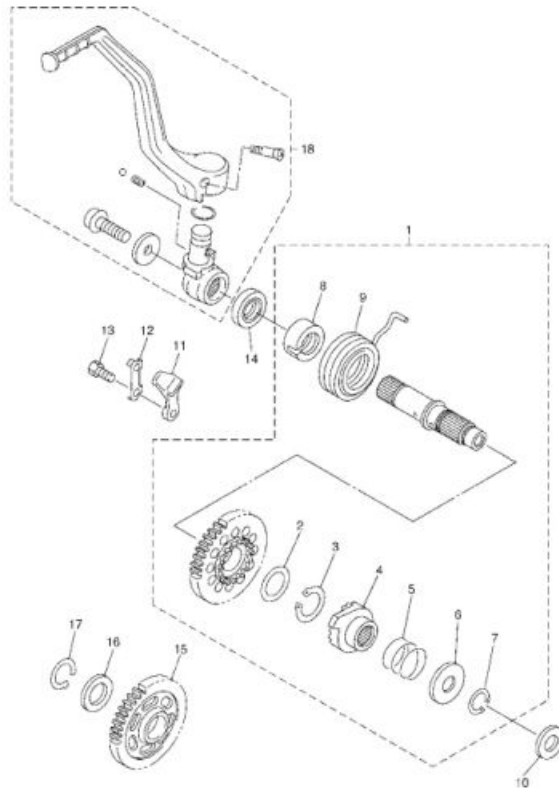


3	WASHER LATE (T=0.5) EC 250 4T 2010 90201-20685 (u. 1)
4	CIRCLIP EC 250 4T 2010 93410-20038 (u. 1)
5	OBSOLETE : STARTING LEVER <b>OBSOLETE</b> 2S2-15671-00 (u. 1)
6	SPRING, COMPRESSION 90501-160A2 (u. 1)
7	WASHER, PLATE EC 250 4T 2010 90201-167P7 (u. 1)
8	CIRCLIP EC 250 4T 2010 99009-16400 (u. 1)
9	SPRING, TORSION EC 250 4T 2010 90508-30743 (u. 1)
10	GUIDE , SPRING EC 250 4T 2010 5NL-15664-00 (u. 1)
11	WASHER, PALTE EC 250 4T 2010 90201-162H4 (u. 1)
12	OBSOLETE : STOPPER EC 250 4T 2010 <b>OBSOLETE</b> 5SG-15668-00 (u. 1)
13	OBSOLETE : WASHER, LOCK EC 250 4T 2010 <b>OBSOLETE</b> 214-15686-00 (u. 1)
15	OIL SEAL EC 250 4T 2010 93102-18278 (u. 1)
16	GEAR, KICK IDLE EC 250 4T 2010 5NL-15651-00 (u. 1)
17	WASHER, PALTE EC 250 4T 2010 90201-177G4 (u. 1)
18	CIRCLIP EC 250 4T 2010 99009-17400 (u. 1)

	OBSOLETE : 0/005.430.9101 : (ENDURO) KICKSTART PEDAL SET : M02610052, M02610102, M02610105, ME250136060, ME250636060, ME25636060, ME890002510, MFS400126060, MFS450626060, MT280036060 MFS890002510 (u. 1)	OBSOLETE
	OBSOLETE : 0/005.430.9101 : (ENDURO) KICKSTART PEDAL SET : M02610052, M02610102, M02610105, ME250136060, ME250636060, ME25636060, ME890002510, MFS400126060, MFS450626060, MT280036060 MFS890002510 (u. 1)	OBSOLETE
	OBSOLETE : 0/005.430.9101 : (ENDURO) KICKSTART LEVER KIT ME89000CT2511 (u. 1)	OBSOLETE
19	RJ-MR KICKSTART LEVER KIT : ME89000CT2511, MFS890002510 0/005.430.9101 (u. 1)	
	RJ-MR KICKSTART LEVER KIT : ME89000CT2511, MFS890002510 0/005.430.9101 (u. 1)	
	OBSOLETE : 0/005.430.9101 : (ENDURO) KICKSTART PEDAL SET : M02610052, M02610102, M02610105, ME250136060, ME250636060, ME25636060, ME890002510, MFS400126060, MFS450626060, MT280036060 MFS890002510 (u. 1)	OBSOLETE
	OBSOLETE : 0/005.430.9101 : (ENDURO) KICKSTART LEVER KIT ME89000CT2511 (u. 1)	OBSOLETE
20	(ENDURO) KICKSTARTER LEVER BASE ME250036061 (u. 1)	
21	(ENDURO) KICKSTART LEVER SPRING ME250036066 (u. 1)	
22	(ENDURO) KICKSTART LEVER BALL ME250036062 (u. 1)	
23	OBSOLETE : BUTTONHEAD ALLEN BOLT 8x20 (SKIDPLATE) : T0508022 T0508020 (u. 1)	
24	BRAKE PEDAL O-RING : M01016100, ME25610026 ME250036063 (u. 1)	
25	WASHER 6x20x1.5 T4006020 (u. 1)	
	OBSOLETE : ALLEN BOLT 6x12 : T0316012, T0316012/2 T0306012 (u. 1)	OBSOLETE
26	OBSOLETE : T0306012 : KICKSTART TORX BOLT : T0316012/2 T0316012 (u. 1)	OBSOLETE
	OBSOLETE : ALLEN BOLT 6x12 : T0316012, T0316012/2 T0306012 (u. 1)	OBSOLETE

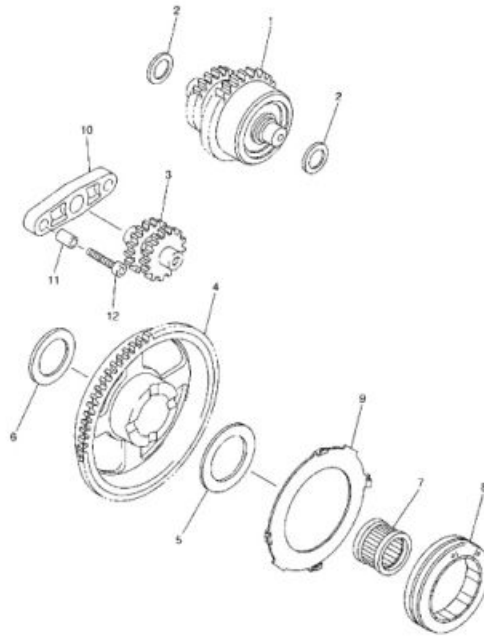


**PALANCA DE ARRANQUE 450**



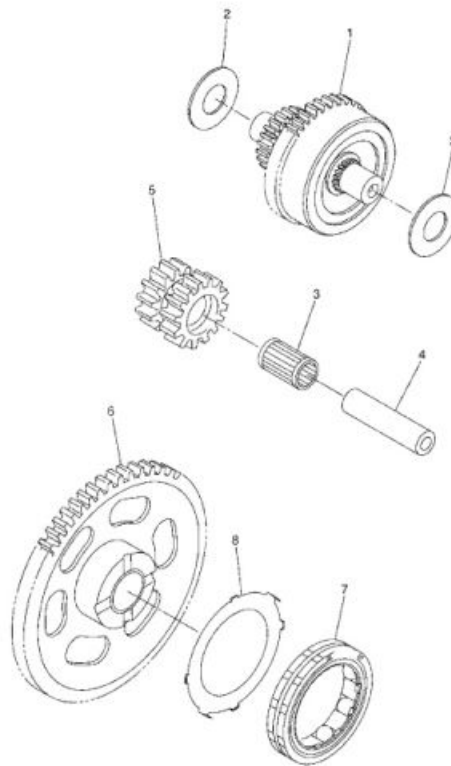
1	KICK SHAFT ASSY 2S2-15601-00 (u. 1)
2	WASHER LATE (T=0.5) EC 250 4T 2010 90201-20685 (u. 1)
3	CIRCLIP EC 250 4T 2010 93410-20038 (u. 1)
4	OBSOLETE : STARTING LEVER <b>OBSOLETE</b> 2S2-15671-00 (u. 1)
5	SPRING, COMPRESSION 90501-160A2 (u. 1)
6	WASHER, PLATE EC 250 4T 2010 90201-167P7 (u. 1)
7	CIRCLIP EC 250 4T 2010 99009-16400 (u. 1)
10	WASHER, PALTE EC 250 4T 2010 90201-162H4 (u. 1)
11	OBSOLETE : STOPPER EC 250 4T 2010 <b>OBSOLETE</b> 5SG-15668-00 (u. 1)
12	OBSOLETE : WASHER, LOCK EC 250 4T 2010 <b>OBSOLETE</b> 214-15686-00 (u. 1)
16	WASHER LATE (T=0.5) EC 250 4T 2010 90201-20685 (u. 1)
18	KICK CRANK ASSY <b>OBSOLETE</b> 2S2-15620-01-00 (u. 1)

**RUEDA LIBRE ARRANQUE 250, 300**



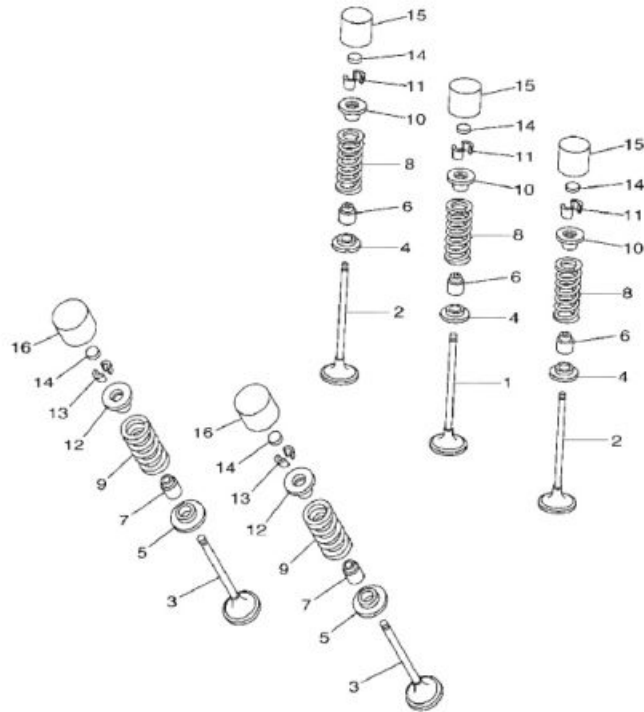
2	WASHER, PLATE EC 250 4T 2010 90201-104R2 (u. 1)
3	GEAR, IDLER 2 EC 250 4T 2010 5UM-15517-00 (u. 1)
6	WASHER PLATE EC 250 4T 2010 90201-203L1 (u. 1)
7	BEARING EC 250 4T 2010 93310-42057 (u. 1)
8	STARTER CLUTCH ASSY EC 250 4T 2010 5UM-15570-00 (u. 1)
9	OBSOLETE : PLATE, STARTER CLUTCH ASSY EC 250 4T 2010 <b>OBSOLETE</b> 5VY-15586-00 (u. 1)
10	PLATE, IDLE GEAR EC 250 4T 2010 5UM-15532-00 (u. 1)
11	PIN, DOWEL EC 250 4T 2010 99530-08012 (u. 1)

## RUEDA LIBRE ARRANQUE 450



1	DAMPER ASSY 5TJ-15560-20 (u. 1)
2	WASHER PLATE 90201-105A8 (u. 1)
3	BEARING 93310-212R6 (u. 1)
4	SHAFT 1 4GY-15521-00 (u. 1)
5	GEAR, IDLER 2 5TJ-15517-00 (u. 1)
6	GEAR 3 5TG-15515-01 (u. 1)
7	STARTER CLUTCH ASSY EC 250 4T 2010 5UM-15570-00 (u. 1)
8	OBSOLETE : PLATE, STARTER CLUTCH ASSY EC 250 4T 2010 <b>OBSOLETE</b> 5VY-15586-00 (u. 1)

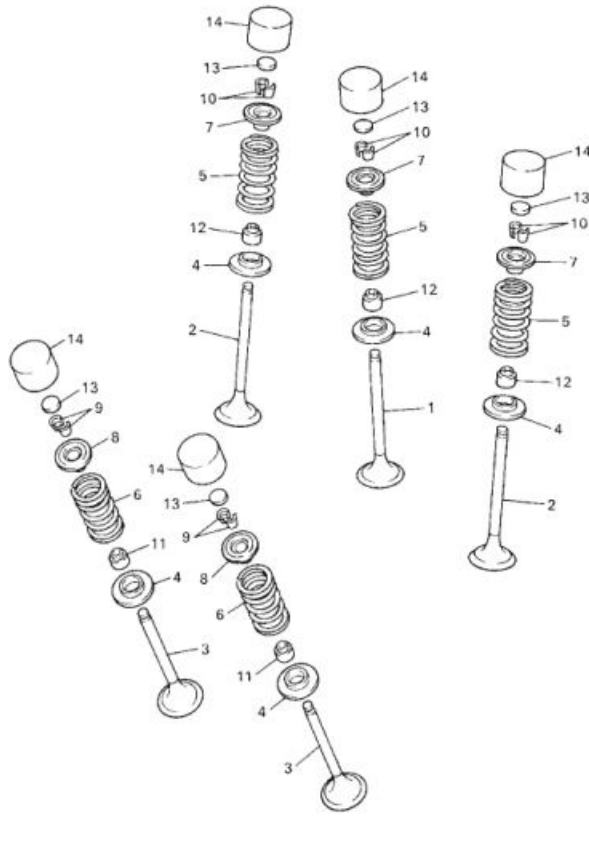
**VALVULA 250, 300**



3	OBSOLETE : VALVE, EXHAUST EC 250 4T 2010 <b>OBSOLETE</b> 5NL-12121-10 (u. 1)
4	SEAT, VALVE SPRING EC 250 4T 2010 5NL-12116-00 (u. 1)
5	SEAT, VALVE SPRING 2 EC 250 4T 2010 3GM-12126-00 (u. 1)
6	SEAL, VALVE STEM EC 250 4T 2010 4TV-12119-00 (u. 1)
7	OBSOLETE : SEAL, VALVE STEM EC 250 4T 2010 <b>OBSOLETE</b> 4SV-12119-00 (u. 1)
9	SPRING, VALVE OUTER EC 250 4T 2010 5NL-12114-00 (u. 1)
10	RETAINER, VALVE SPRING EC 250 4T 2010 1HX-12117-00 (u. 1)
11	COTTER VALVE 1HX-12118-00 (u. 1)
12	RETAINER, VALVE SPRING {GASGAS 4T 2010-2015} 1WG-12117-00 (u. 1)
13	OBSOLETE : COTTER, VALVE EC 250 4T 2010 <b>OBSOLETE</b> 1WG-12118-00 (u. 1)

	PAD, ADJUSTIN 2 (1.90) {GASGAS 4T 2010-2015} 1HX-12169-11 (u. 1)
	PAD, ADJUSTIN 2 (2.25) {GASGAS 4T 2010-2015} 1HX-12169-J0 (u. 1)
	PAD, ADJUSTIN 2 (1.80) {GASGAS 4T 2010-2015} 1HX-12168-W1 (u. 1)
	PAD, ADJUSTIN 2 (1.40) {GASGAS 4T 2010-2015} 1HX-12168-80 (u. 1)
	PAD, ADJUSTIN 2 (2.40) {GASGAS 4T 2010-2015} 1HX-12169-T0 (u. 1)
	PAD, ADJUSTIN 2 (2.15) {GASGAS 4T 2010-2015} 1HX-12169-E0 (u. 1)
	PAD, ADJUSTIN 2 (1.50) {GASGAS 4T 2010-2015} 1HX-12168-F0 (u. 1)
	PAD, ADJUSTIN 2 (1.25) {GASGAS 4T 2010-2015} 1HX-12168-20 (u. 1)
	PAD, ADJUSTIN 2 (2.35) {GASGAS 4T 2010-2015} 1HX-12169-N0 (u. 1)
	PAD, ADJUSTIN 2 (1.35) {GASGAS 4T 2010-2015} 1HX-12168-60 (u. 1)
	PAD, ADJUSTIN 2 (1.85) {GASGAS 4T 2010-2015} 1HX-12168-Y1 (u. 1)
	PAD, ADJUSTIN 2 (2.20) {GASGAS 4T 2010-2015} 1HX-12169-G0 (u. 1)
14	PAD, ADJUSTIN 2 (1.55) {GASGAS 4T 2010-2015} 1HX-12168-H1 (u. 1)
	PAD, ADJUSTIN 2 (2.05) {GASGAS 4T 2010-2015} 1HX-12169-70 (u. 1)
	PAD, ADJUSTIN 2 (1.45) {GASGAS 4T 2010-2015} 1HX-12168-A0 (u. 1)
	PAD, ADJUSTIN 2 (2.30) {GASGAS 4T 2010-2015} 1HX-12169-L0 (u. 1)
	PAD, ADJUSTIN 2 (2.10) {GASGAS 4T 2010-2015} 1HX-12169-90 (u. 1)
	PAD, ADJUSTIN 2 (1.60) {GASGAS 4T 2010-2015} 1HX-12168-K1 (u. 1)
	PAD, ADJUSTIN 2 (1.75) {GASGAS 4T 2010-2015} 1HX-12168-U1 (u. 1)
	PAD, ADJUSTIN 2 (2.00) {GASGAS 4T 2010-2015} 1HX-12169-50 (u. 1)
	PAD, ADJUSTIN 2 (1.95) {GASGAS 4T 2010-2015} 1HX-12169-31 (u. 1)
	PAD, ADJUSTIN 2 (1.70) EC 250 4T 2010 1HX-12168-R1 (u. 1)
	PAD, ADJUSTIN 2 (1.20) {GASGAS 4T 2010-2015} 1HX-12168-00 (u. 1)
	PAD, ADJUSTIN 2 (1.65) {GASGAS 4T 2010-2015} 1HX-12168-M1 (u. 1)
	PAD, ADJUSTIN 2 (1.30) {GASGAS 4T 2010-2015} 1HX-12168-40 (u. 1)
15	LIFTER, VALVE EC 250 4T 2010 3LN-12153-10 (u. 1)
16	LIFTER, VALVE EC 250 4T 2010 3FV-12153-10 (u. 1)

**VALVULA 450**



1	VALVE INTAKE 5TA-12111-00 (u. 1)
2	VALVE INTAKE 2 5TA-12112-00 (u. 1)
3	VALVE EXHAUST 5TA-12121-00 (u. 1)
4	SEAT, VALVE SPRING 2 EC 250 4T 2010 3GM-12126-00 (u. 1)
5	SPRING VALVE INNER 5TJ-12113-00 (u. 1)
6	SPRING- VALVLE OUTER 5TJ-12114-00 (u. 1)
7	RETAINER VALVE SPRING 5BE-12117-00 (u. 1)
8	RETAINER VALVE SPRING 4GY-12117-00 (u. 1)
9	COTTER VALVE 1AA-12118-00 (u. 1)
10	OBSOLETE : COTTER, VALVE EC 250 4T 2010 <b>OBSOLETE</b> 1WG-12118-00 (u. 1)
11	SEAL VALVE STEM 33M-12119-00 (u. 1)
12	OBSOLETE : SEAL, VALVE STEM EC 250 4T 2010 <b>OBSOLETE</b> 4SV-12119-00 (u. 1)

	PAD ADJUSTING (2.20) 3LD-12169-G0 (u. 1)
	PAD ADJUSTING (2.05) 3LD-12169-70 (u. 1)
	PAD ADJUSTING (2.00) 3LD-12169-50 (u. 1)
	PAD ADJUSTING (1.30) 3LD-12168-40 (u. 1)
	PAD ADJUSTING (2.40) 3LD-12169-T0 (u. 1)
	PAD ADJUSTING (1.45) 3LD-12168-A0 (u. 1)
	PAD ADJUSTING (2.25) 3LD-12169-J0 (u. 1)
	PAD ADJUSTING (1.90) 3LD-12169-11 (u. 1)
	PAD ADJUSTING (1.25) 3LD-12168-20 (u. 1)
	PAD.ADJUSTING (1.80) 3LD-12168-W1 (u. 1)
	PAD ADJUSTING (1.70) 3LD-12168-R1 (u. 1)
	PAD ADJUSTING (1.55) 3LD-12168-H1 (u. 1)
<b>13</b>	PAD ADJUSTING (2.15) 3LD-12169-E0 (u. 1)
	PAD ADJUSTING (1.40) 3LD-12168-80 (u. 1)
	PAD ADJUSTING (1.85) 3LD-12168-Y1 (u. 1)
	PAD ADJUSTING (1.20) 3LD-12168-00 (u. 1)
	PAD ADJUSTING (2.30) 3LD-12169-L0 (u. 1)
	PAD ADJUSTING (1.35) 3LD-12168-60 (u. 1)
	PAD ADJUSTING (1.65) 3LD-12168-M1 (u. 1)
	PAD ADJUSTING (2.35) 3LD-12169-N0 (u. 1)
	PAD ADJUSTING (1.75) 3LD-12168-U1 (u. 1)
	PAD ADJUSTING (2.10) 3LD-12169-90 (u. 1)
	PAD ADJUSTING (1.50) 3LD-12168-F0 (u. 1)
	PAD ADJUSTING (1.95) 3LD-12169-31 (u. 1)
<b>14</b>	LIFTER, VALVE EC 250 4T 2010 3FV-12153-10 (u. 1)