

# User Manual

## MaxiCharger AC Ultra

## Trademarks

Autel® and MaxiCharger® are trademarks of Autel Intelligent Technology Corp., Ltd., registered in China, the United States and other countries. All other marks are trademarks or registered trademarks of their respective holders.

## Copyright Information

No part of this manual may be reproduced, stored in a retrieval system or transmitted, in any form or by any means, electronic, mechanical, photocopying, recording, or otherwise without the prior written permission of Autel.

## Disclaimer of Warranties and Limitation of Liabilities

All information, specifications and illustrations in this manual are based on the latest information available at the time of printing.

Autel reserves the right to make changes at any time without notice. While information of this manual has been carefully checked for accuracy, no guarantee is given for the completeness and correctness of the contents, including but not limited to the product specifications, functions, and illustrations.

Autel will not be liable for any direct, special, incidental, indirect damages or any economic consequential damages (including the loss of profits).

---

### ❗ IMPORTANT

Before operating or maintaining this unit, please read this manual carefully, paying extra attention to the safety warnings and precautions.

---

#### For Services and Support:

**Web:** [www.autelenergy.eu](http://www.autelenergy.eu)

**Tel:** +49(0)89 540299608

**Email:** [evsupport.eu@autel.com](mailto:evsupport.eu@autel.com)

**Address:** Landsberger Str. 408/4. OG 81241 Munich, Germany

For technical assistance in all other markets, please contact your local selling agent.

# CONTENTS

<b>TRADEMARKS</b> .....	<b>II</b>
<b>COPYRIGHT INFORMATION</b> .....	<b>II</b>
<b>DISCLAIMER OF WARRANTIES AND LIMITATION OF LIABILITIES</b> .....	<b>II</b>
<b>1 USING THIS MANUAL</b> .....	<b>1</b>
1.1 CONVENTIONS .....	1
<b>2 SAFETY</b> .....	<b>2</b>
2.1 SAFETY MESSAGES.....	2
2.2 SAFETY INSTRUCTIONS .....	2
2.3 DISPOSAL INSTRUCTIONS.....	3
<b>3 GENERAL INTRODUCTION</b> .....	<b>4</b>
3.1 PRODUCT OVERVIEW.....	5
3.2 IN THE BOX.....	6
3.3 RECOMMENDED TOOLS .....	7
<b>4 INSTALLATION</b> .....	<b>8</b>
4.1 PREPARE FOR INSTALLATION .....	8
4.2 UNPACK.....	9
4.3 MECHANICAL INSTALLATION .....	10
4.4 POWER SUPPLY WIRING .....	21
4.5 CONNECTING TO THE INTERNET .....	22
4.6 COMPLETE INSTALLATION .....	23
4.7 ENERGIZE THE CHARGING STATION.....	23
<b>5 SETTINGS</b> .....	<b>24</b>
5.1 INITIAL SETUPS .....	24
5.2 CHANGE THE DEFAULT SETTINGS .....	26
<b>6 OPERATION</b> .....	<b>29</b>
6.1 CHARGING OPERATIONS .....	29
6.2 DISPLAY DESCRIPTIONS.....	30
<b>7 TROUBLESHOOTING</b> .....	<b>33</b>
7.1 TROUBLESHOOTING TABLE .....	33
<b>8 SPECIFICATIONS</b> .....	<b>34</b>
8.1 PRODUCT SPECIFICATIONS.....	34
8.2 LED DESCRIPTIONS .....	35
8.3 PRODUCT DIMENSIONS.....	35
<b>9 COMPLIANCE</b> .....	<b>37</b>

# 1 Using This Manual

This manual describes the installation and use of the MaxiCharger AC Ultra. Prior to installation, read through this manual to be familiarized with the instructions of this MaxiCharger to ensure a successful installation and smooth operations.

## 1.1 Conventions

---

The following conventions are used.

### 1.1.1 Bold Text

Bold text is used to highlight selectable items such as buttons and menu options.

### 1.1.2 Notes and Important Messages

#### Notes

A **NOTE** provides helpful information such as additional explanations, tips, and comments.

#### Important

**IMPORTANT** indicates a situation which, if not avoided, may result in damage to the test equipment or vehicle.

### 1.1.3 Illustrations

Illustrations used in this manual are only examples; the actual product(s) or screens may vary.

### 1.1.4 Revision History

Version	Date	Descriptions
V1.0	2023.06.20	Initial version
V1.1	2023.09.27	Updated product structure

---

# 2 Safety

For your own safety and the safety of others, and to prevent damage to the charging station and vehicles upon which it is used, it is important that the safety instructions presented throughout this manual be read and understood by all persons operating or coming into contact with the charging station.

## 2.1 Safety Messages

---

Safety messages are provided to help prevent personal injury and equipment damage. All safety messages are introduced by a single word indicating the hazard level.

### DANGER

Indicates an imminently hazardous situation with a high risk level which, if the danger is not avoided, will cause death or serious injury.

### WARNING

Indicates a potentially hazardous situation with moderate risk level which, if the warning is not obeyed, can cause death or serious injury.

### CAUTION

Indicates a potentially hazardous situation with a medium risk level which, if the caution is not obeyed, may cause minor or moderate injury or damage to the equipment.

## 2.2 Safety Instructions

---

The safety messages herein cover situations Autel is aware of. Autel cannot know, evaluate or advise you as to all of the possible hazards. You must be certain that any condition or service procedure encountered does not jeopardize your personal safety.

### SAFETY WARNINGS

- Read and follow all warnings and instructions before installing and operating the MaxiCharger.
- Only a qualified electrician is allowed to install, service, repair and relocate the MaxiCharger.
- The user must not attempt to service or repair the MaxiCharger as it does not contain user-serviceable parts.
- Switch off input power before installing the MaxiCharger. Keep the power off until it is fully installed and secure.
- Do not use explosive or readily flammable substances near the MaxiCharger.
- It is recommended to install a fire alarm system where appropriate in order to detect fires at an early stage.
- Do not use the MaxiCharger if the charging cable is frayed, broken or otherwise damaged, or fails to operate.
- Do not use the MaxiCharger if the enclosure or the EV connector is frayed, broken or otherwise damaged, or fails to operate.

- In the event of danger and/or an accident, a qualified electrician must immediately disconnect the electrical supply from the MaxiCharger.
- Refer to the vehicle user manual to check if the vehicle releases hazardous or explosive gases when charging.
- Follow the instructions given in the vehicle user manual before choosing the charging location of the MaxiCharger.
- Do not direct powerful water jets toward the MaxiCharger.
- Do not operate the MaxiCharger with wet hands.
- Do not put the charging handle into any liquid.
- Do not install or open the MaxiCharger in wet environment (such as rain or heavy fog).
- Ensure that the charging cable is positioned so that it will not be stepped on, tripped over, driven over or otherwise subjected to excessive force or damage. Where applicable, ensure that the charging cable is correctly stowed when not in use and that the charging handle does not touch the ground.
- Keep the charging handle away from heat sources, dirt or water.
- Use this MaxiCharger to charge compatible electric vehicles only. Refer to the technical specifications in this manual. Refer to the vehicle manual to check if the vehicle is compatible.
- Only use the MaxiCharger under the specified operating conditions in this manual.
- Local regulations may be applicable and may vary depending on your region/country of use. The qualified electrician must always ensure that the MaxiCharger is installed in accordance with the local regulations.
- Adaptors or conversion adapters are not allowed to be used. Cord extension sets are not allowed to be used.

 **CAUTION**

- Ensure that the charging cable is not damaged or tangled prior to use.
- Do not insert fingers into the charging port.
- Do not leave objects inside the charging port.
- Keep and use (electro) magnetic devices at a safe distance from the MaxiCharger.

## 2.3 Disposal Instructions

---

Handling waste incorrectly can have a negative effect on the environment and human health due to potential hazardous substances. Discard the charging station correctly can facilitate the reuse and recycling the materials and environmental protection.

- Obey the local rules when discarding parts, packaging materials or the charging station.
- Discard electrical and electronic equipment separately in compliance with the WEEE-2012/19/EU Directive on waste of electrical and electronic equipment.
- Do not mix or dispose the charging station with the household waste.

# 3 General Introduction

This MaxiCharger AC Ultra is designed to charge an electric vehicle (hereinafter called “EV”). Tailored for commercial use, it features fast and efficient charging experience while offering best-value design and smart charging.

This manual will instruct you on how to install and use this charging station.

## Intended Use

The MaxiCharger AC Ultra is intended for the AC charging of EVs. It is intended for both indoor and outdoor use.

### DANGER

- If you use the charging station in any way other than described in this manual or other related documents, possible death, injury and damage to property can occur.
- Use the charging station only as intended.

---

### NOTE

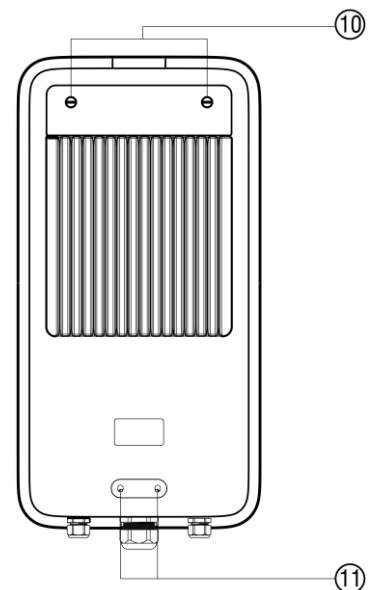
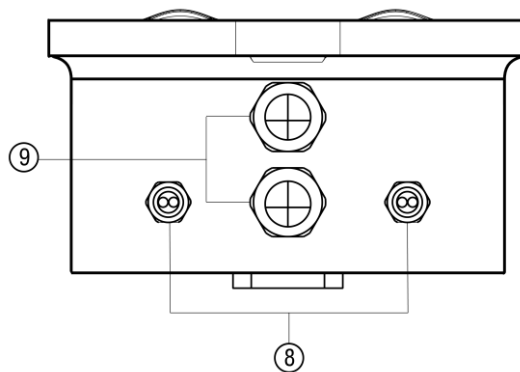
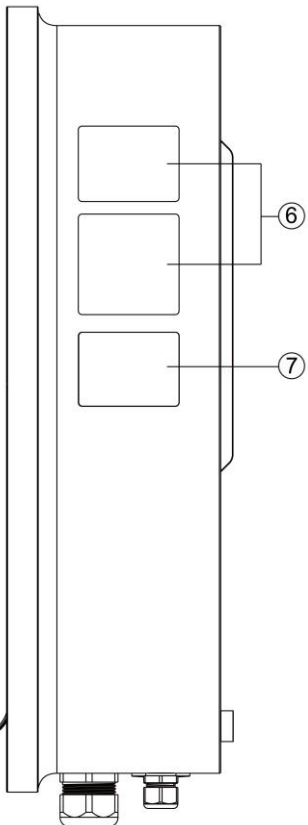
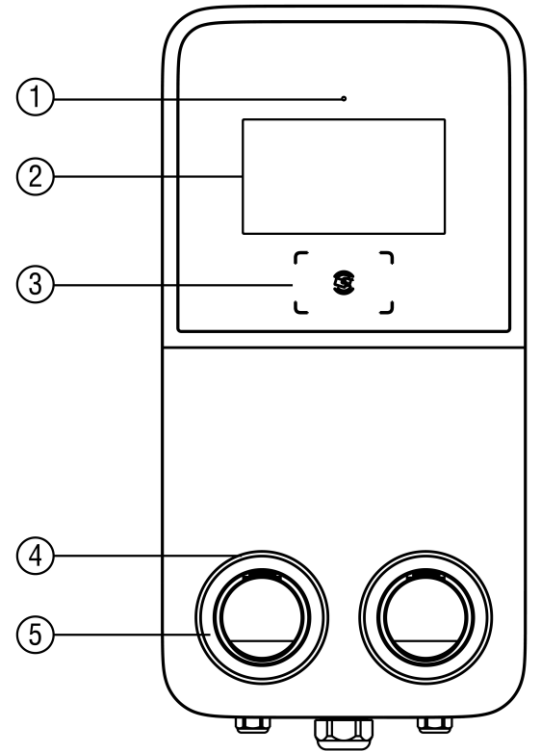
The images and illustrations depicted in this manual may differ slightly from the actual ones.

---

## 3.1 Product Overview

### MaxiCharger AC Ultra

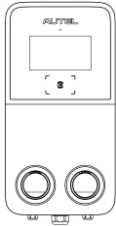

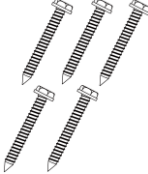



1. Ambient Light Sensor — detects ambient brightness
2. Display
3. RFID Reader
4. Status LED (Refer to [8.2 LED Descriptions](#) for details)
5. Socket
6. Product Label
7. Meter
8. Data Cable Entry
9. AC Inlet Hole
10. Upper Mounting Screw
11. Mounting Hole



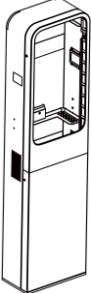
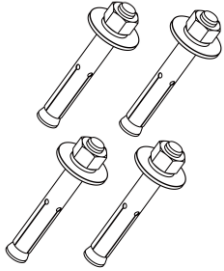
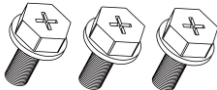
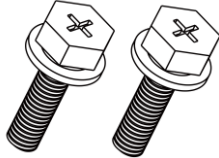

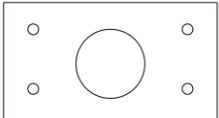




## 3.2 In the Box

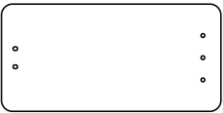
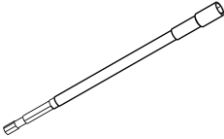

### Main Kit

Charging Station 1 PC		Wall Dock 1 PC	
Screw (M6 x 50) (For wall-mounting only) 5 PCS		Wall Anchor (For wall-mounting only) 5 PCS	
Quick Reference Guide 1 PC		Packing List 1 PC	

### Pedestal Kit

Pedestal 1 PC		Expansion Bolt (M16 x 150) 4 PCS	
Screw (M6 x 16) 3 PCS		Screw (M6 x 25) 2 PCS	
T25 Screwdriver 1 PC		Drilling Template 1 PC	
Quick Reference Guide 1 PC		Packing List 1 PC	

## Tool Kit

Drilling Template (For wall-mounting only) 1 PC		Socket Wrench 1 PC	
T10 Screwdriver 1 PC			

### 3.3 Recommended Tools

---

- Tape measure
- Spirit level
- Pencil
- 8 mm drilling bit
- Drill
- Wire stripper
- Crimp connector
- Crimping plier
- Phillips screwdriver
- Open-end wrench (16 mm)
- Brush

---

#### NOTE

The tools mentioned above are not included in the package. Ensure they are readily available prior to installation.

---

# 4 Installation

## 4.1 Prepare for Installation

---

### 4.1.1 Choose Location

#### For Wall-mounting:

- Install the charging station on a flat and vertical surface capable of supporting its weight (e.g. a finished brick or concrete wall).
- Install the charging station in a location that allows the charging cable to remain within its bending tolerance.
- The charging station should be installed 450 mm above the surface at a minimum.
- Position the charging station in a location where it is not vulnerable to being damaged.

#### For Pedestal-mounting:

- A horizontal, level, and sound foundation is required for installation. To ensure safe and permanent anchoring, the concrete strength level should be above C30.
- The base must permit the running off of any water that has entered the base.
- The diameter of the embedded cable should not exceed 110 mm. All cables must be laid precisely in the center of the concrete foundation from the base and should have an excess length of 1-1.5 m for the remaining installation activities.
- Do not mount the pedestal on asphalt.
- The foundation can be flush with or above the surface.

### 4.1.2 Checklist

- The local installation regulations are identified and followed.
- All necessary permits are obtained from the local authority that has jurisdiction.
- The existing electrical load has been calculated to find the maximum operating current for the charging station installation.
- A miniature circuit breaker (MCB) and residual current device (RCD) are installed upstream and have ratings that correspond to the local power supply and required charging power.
- The correct cables are available at the installation site, and there is sufficient cable length to strip and connect the wires.
- The recommended installation tools are available at the site. Refer to [3.3 Recommended Tools](#).

### 4.1.3 Electrical Design



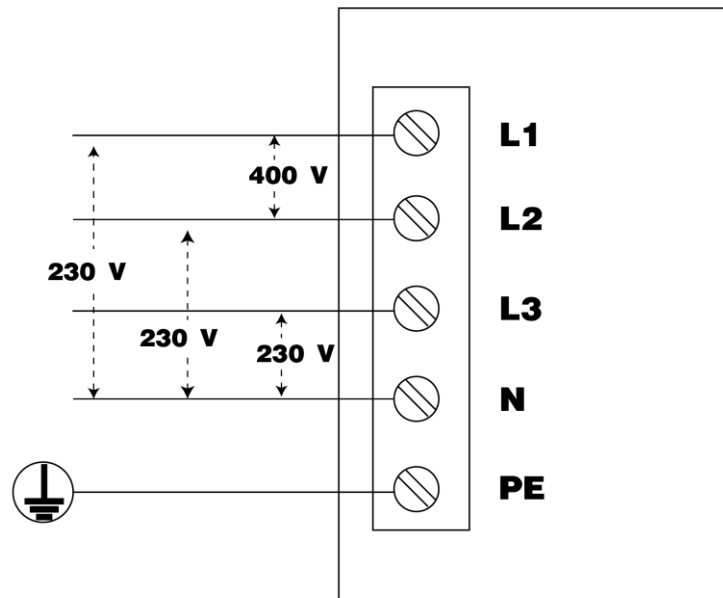
Connecting the MaxiCharger to the power supply other than specified in this section can cause incorrect installation and the risk of electric shock, as well as damage to the charging station, and injury or death.

<b>Earthing System</b>	TN-system	PE cable
	TT-system	Earth electrode installed separately (self-installed)
<b>Power Input</b>	Three-phase	400 V AC $\pm$ 15%, 50 Hz
<b>MCB (Miniature Circuit Breaker)</b>	The power supply MCB must match the power rating of the charging station.	

Observe the descriptions below for power supply connection of the charging station, depending on the specifications of the power supply cabinet.

#### 400 V AC, Three-phase with Neutral

For three-phase using a Wye-connected secondary, all three phases (L1, L2, and L3) and neutral must be connected. Each phase voltage must measure 230 V to neutral.



## 4.2 Unpack

1. Open the package.
2. Remove the charging station from the box.
3. Remove all packaging material from the charging station.
4. Discard the packaging material.
5. Ensure that all parts are delivered according to the order. Refer to [3.2 In the Box](#).
6. Do a visual inspection of the charging station and the parts for damage. In case any damage is found or the parts are not consistent with your order, contact the delivery and Autel support.

## 4.3 Mechanical Installation

---

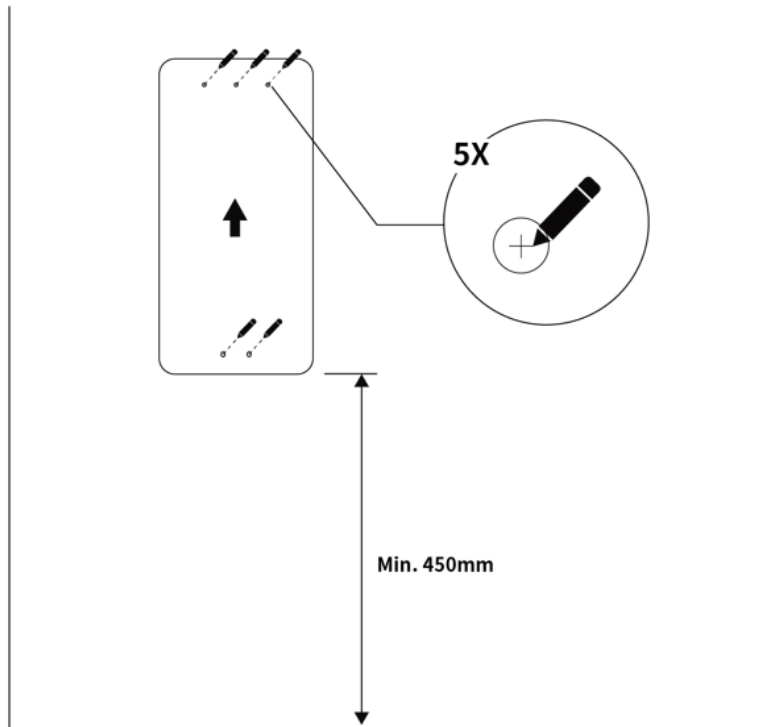
There are two ways to mount the charging station:

- Mounting on a wall
- Mounting on a pedestal

### 4.3.1 Mounting on a Wall

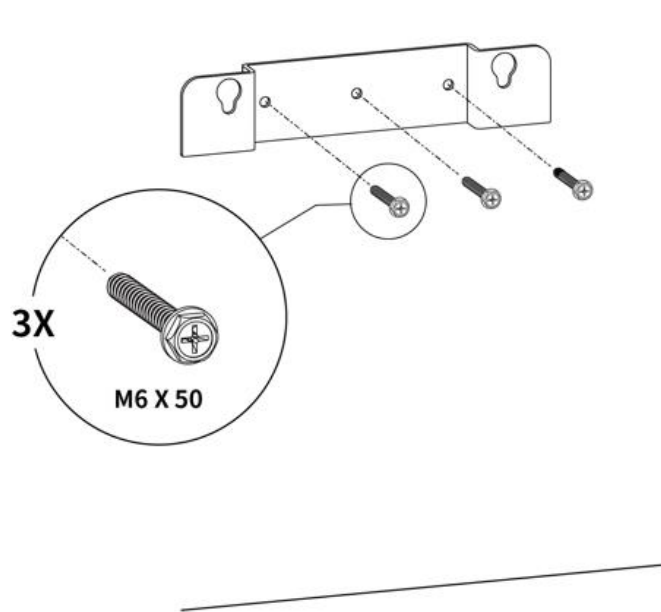
#### STEP 1

1. Place the drilling template against the wall, minimum 450 mm above the surface. Then level it using a spirit level.
2. Mark the five holes. Remove the drilling template.



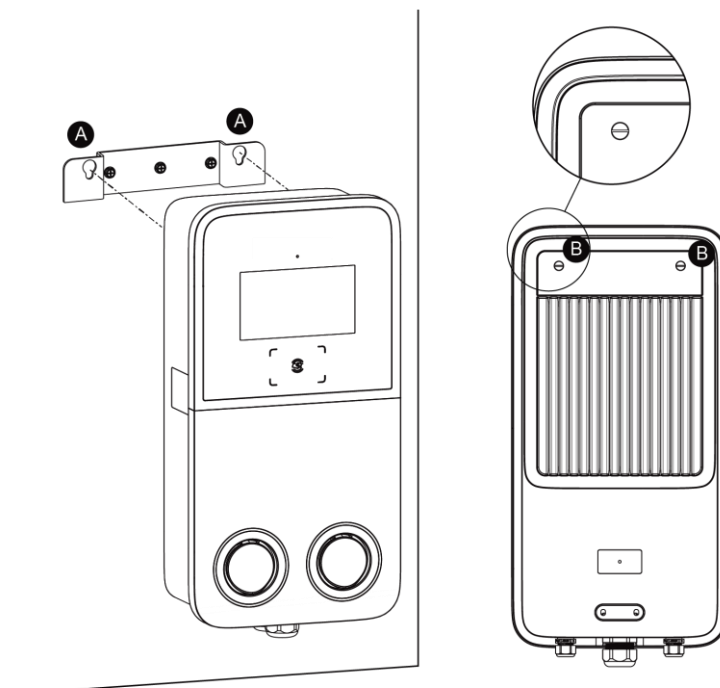
## STEP 2

1. Drill five 8 mm holes to a depth of 50 mm. Clean any debris using a brush.
2. Insert five 8 mm wall anchors into the holes.
3. Place the wall dock on the wall, aligning it with the three upper holes. Level it with a spirit level. Then insert three M6 x 50 screws into the holes. Tighten the screws to 5-7 Nm using the socket wrench.



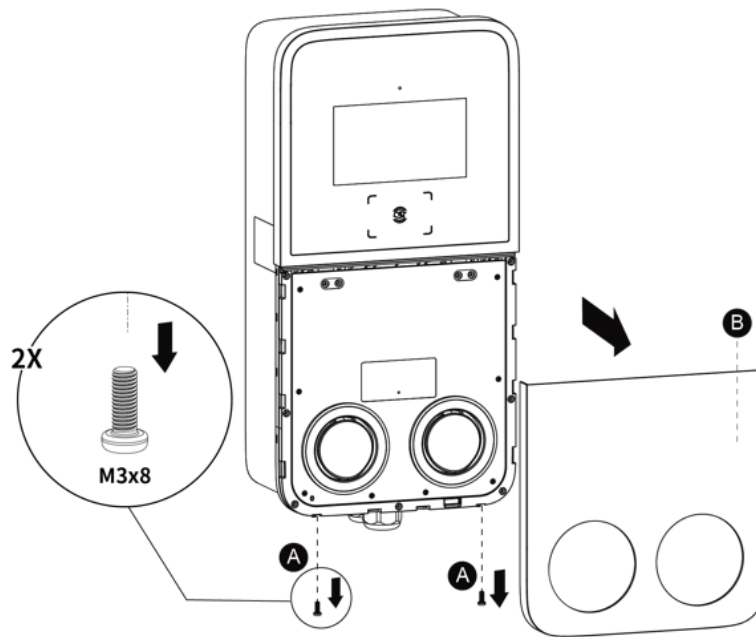
## STEP 3

Attach the charging station onto the wall dock by inserting the two mounting screws (**B**) on the back of the charging station into the two upper mounting holes (**A**). Slide the charging station downwards to engage the screws.



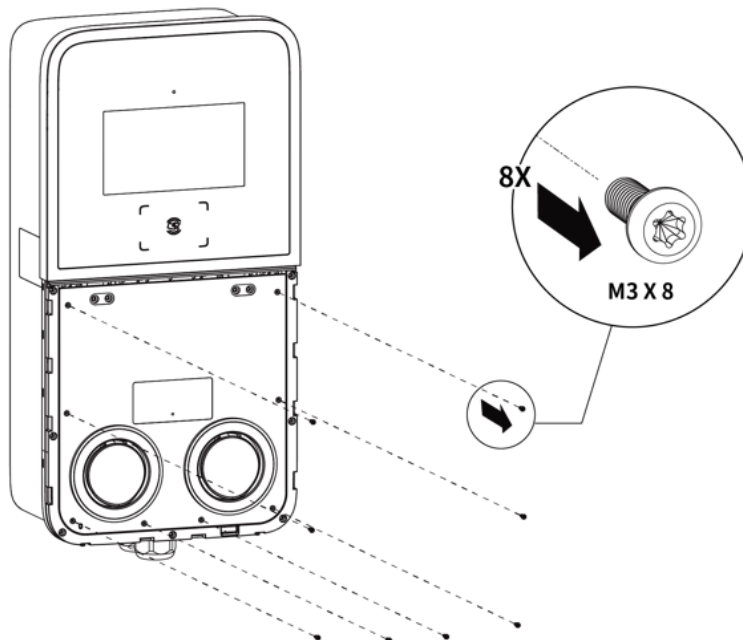
#### STEP 4

Loosen the two M3 x 8 screws (A) at the bottom of the charging station using the T10 Torx screwdriver and remove the faceplate (B). **Set them aside.**



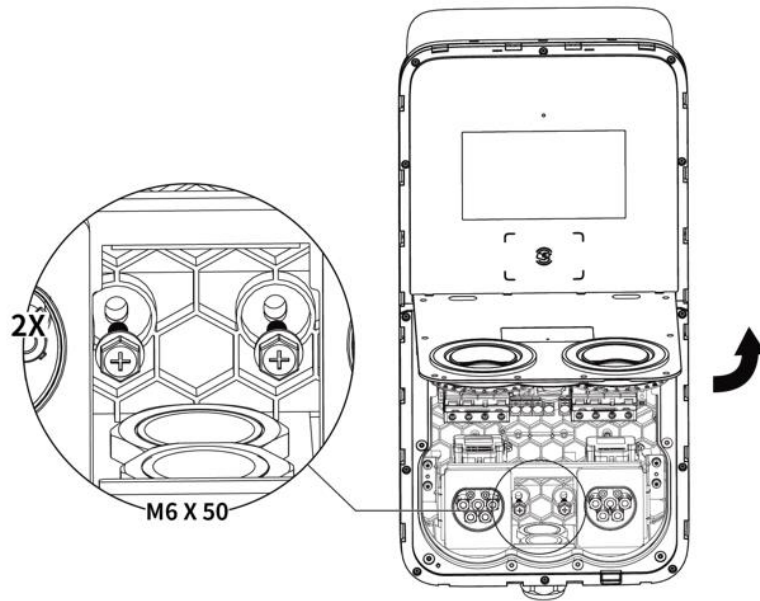
#### STEP 5

Remove the eight M3 x 8 screws using the T10 Torx screwdriver. **Set them aside.**



## STEP 6

Flip the maintenance cover up. Then insert two M6 x 50 screws into the two lower holes. Tighten the screws to 5-7 Nm using the socket wrench to secure the charging station.



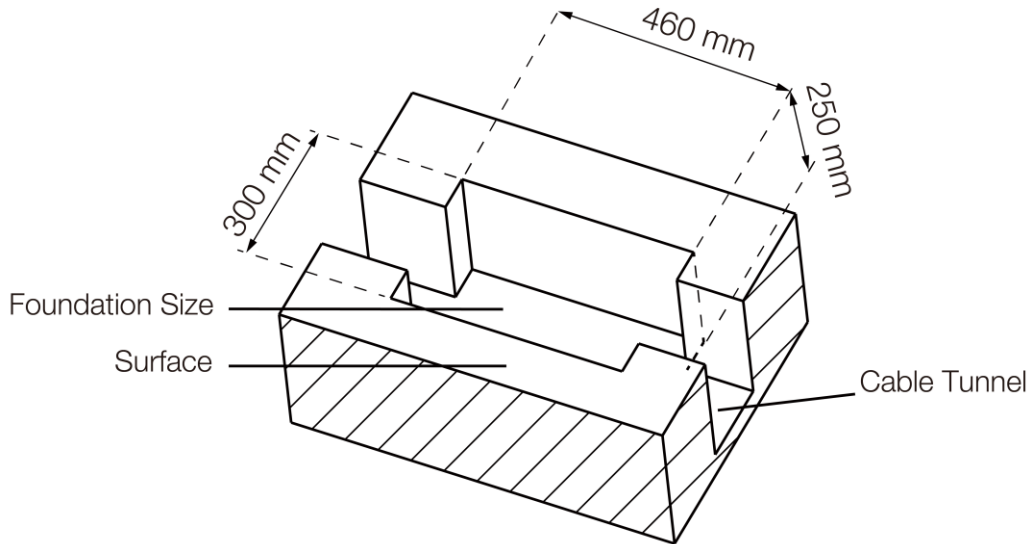


## 4.3.2 Mounting on a Pedestal

### Preparing the Foundation

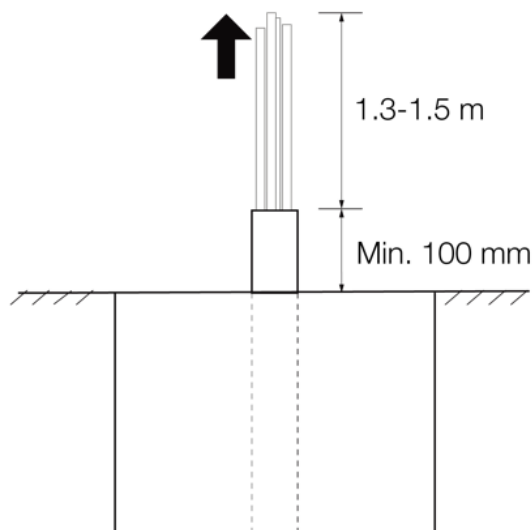
#### STEP 1

1. Build a foundation with the size of 460 x 300 x 250 mm (L x W x H).
2. Trench and excavate an opening to accommodate the wiring conduit.



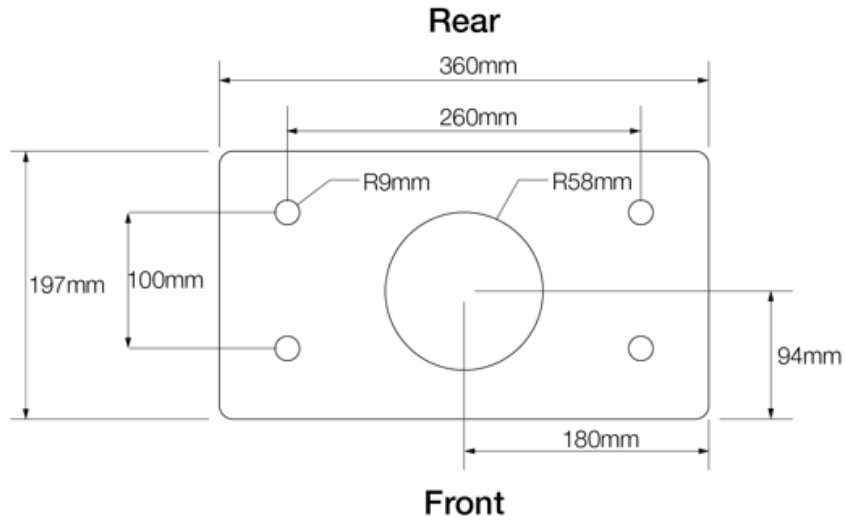
#### STEP 2

1. Run the conduit to the designated location. The conduit stub-up is recommended 100 mm above the surface at a minimum.
2. Feed the AC input cable and the Ethernet cable (if available) out of the conduit. Ensure a length of 1.3-1.5 m is available above the foundation to allow wiring to reach the AC terminals.



## Drilling Holes

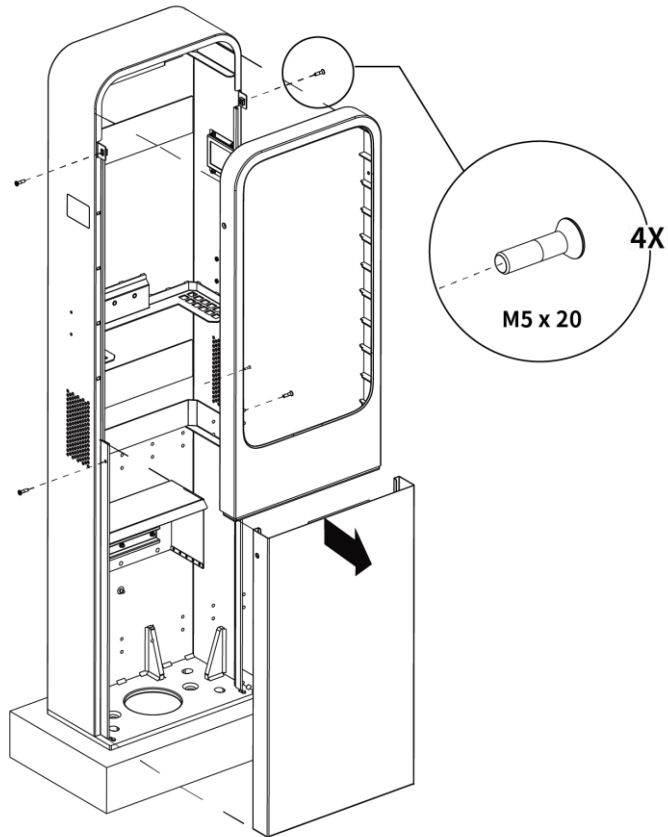
1. Place the drilling template on the foundation, aligning its central hole with the conduit stub-up. Then level the template using a spirit level.
2. Mark the four mounting holes on the foundation. Remove the drilling template.
3. Drill into the holes measuring 18 mm in diameter and 160 mm in depth. Remove any debris using a brush.



## Installing the Pedestal

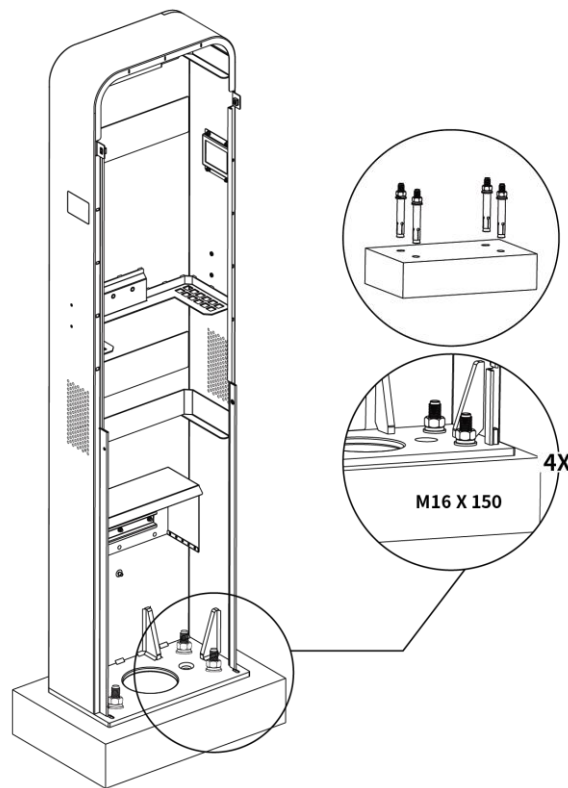
### STEP 1

Loosen the four M5 x 20 security screws on both sides using the T25 screwdriver to remove the upper and lower front covers. **Set them aside.**



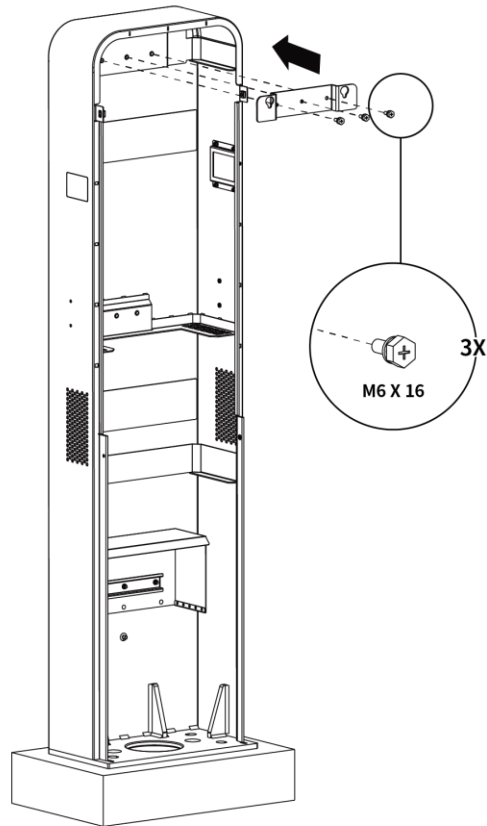
## STEP 2

1. Place the pedestal onto the foundation, aligning it with the conduit stub-up and four mounting holes.
2. Tap the M16 x 150 expansion bolts into the four mounting holes. Tighten the bolts to 140 Nm using a 16 mm open-end wrench to secure the pedestal.



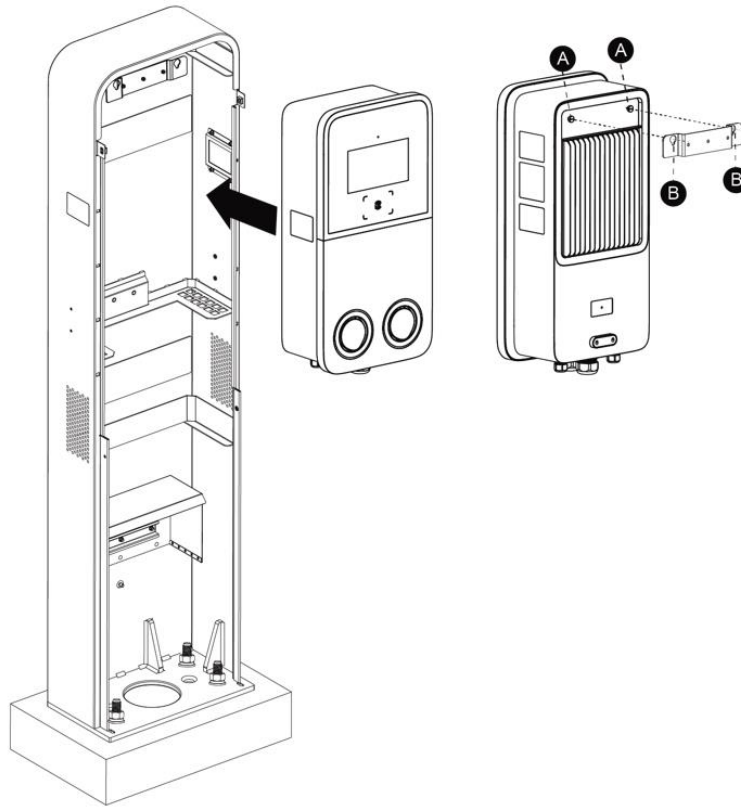
## Mounting the Wall Dock

1. Align the wall dock with the three mounting holes on the pedestal.
2. Insert the three M6 x 16 screws into the holes and tighten them to 5-7 Nm using the socket wrench.



## Mounting the Charging Station

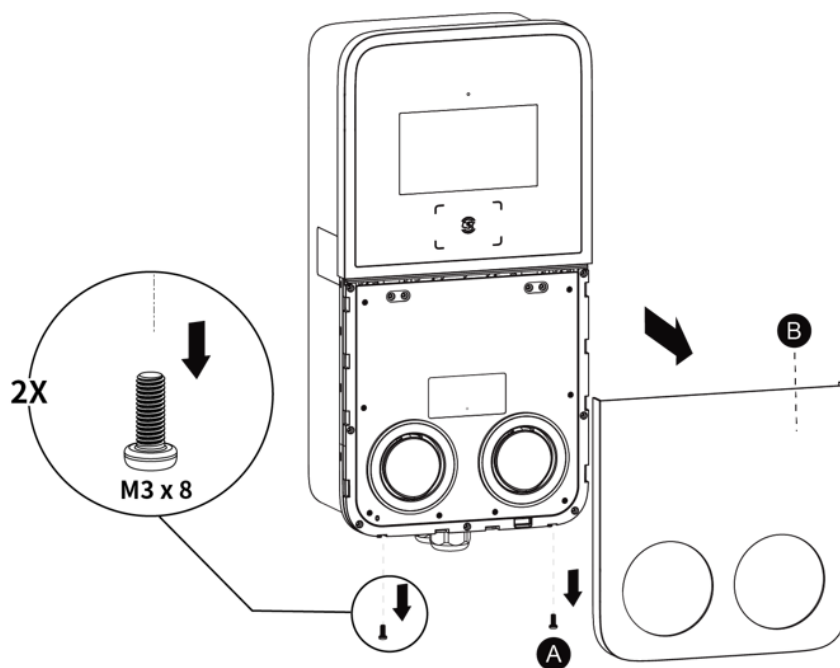
Hang the charging station onto the wall dock by aligning the two mounting screws (A) on the back of the charging station with the two holes (B) of the wall dock.



## Securing the Charging Station

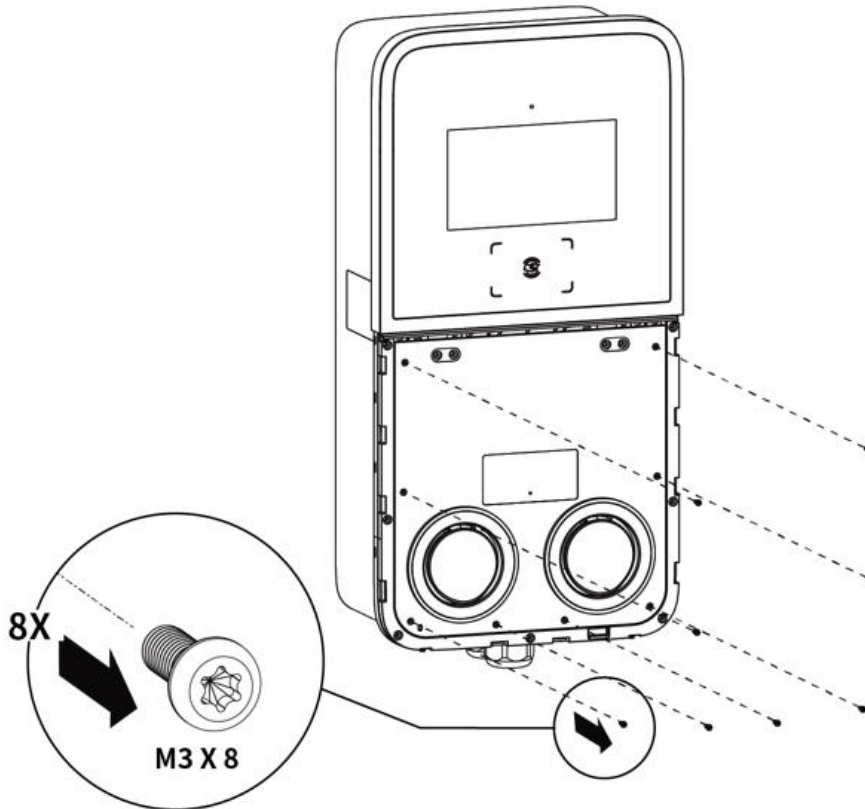
### STEP 1

Loosen the two M3 x 8 screws (A) at the bottom of the charging station using the T10 screwdriver and remove the faceplate (B). **Set them aside.**



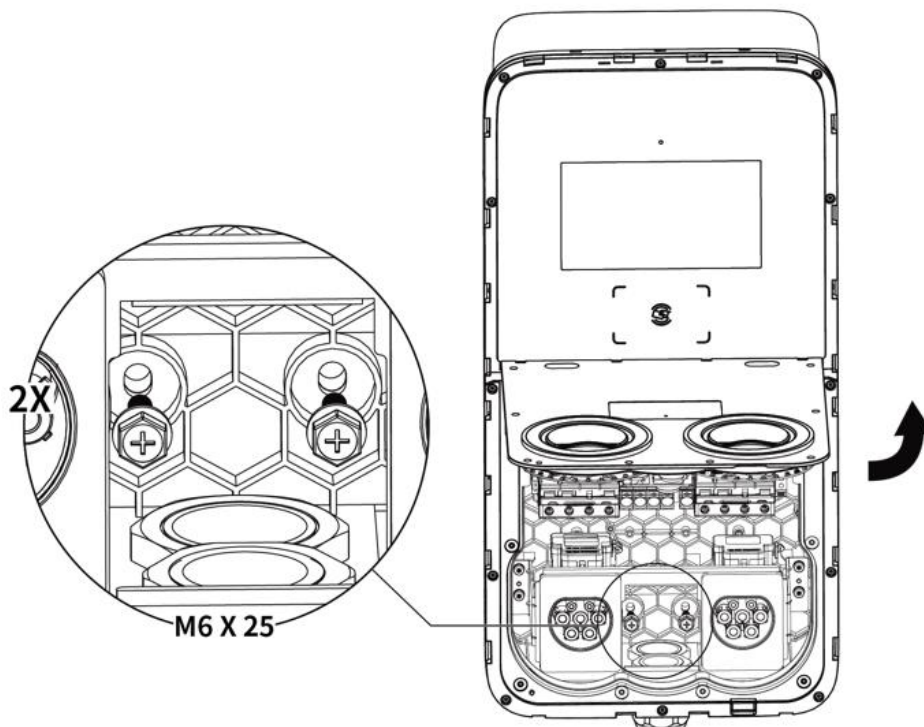
## STEP 2

Remove the eight M3 x 8 screws using the T10 screwdriver. **Set them aside.**



## STEP 3

Flip the maintenance cover up. Then insert two M6 x 25 screws into the two lower holes. Tighten the screws to 5-7 Nm using the socket wrench to secure the charging station.

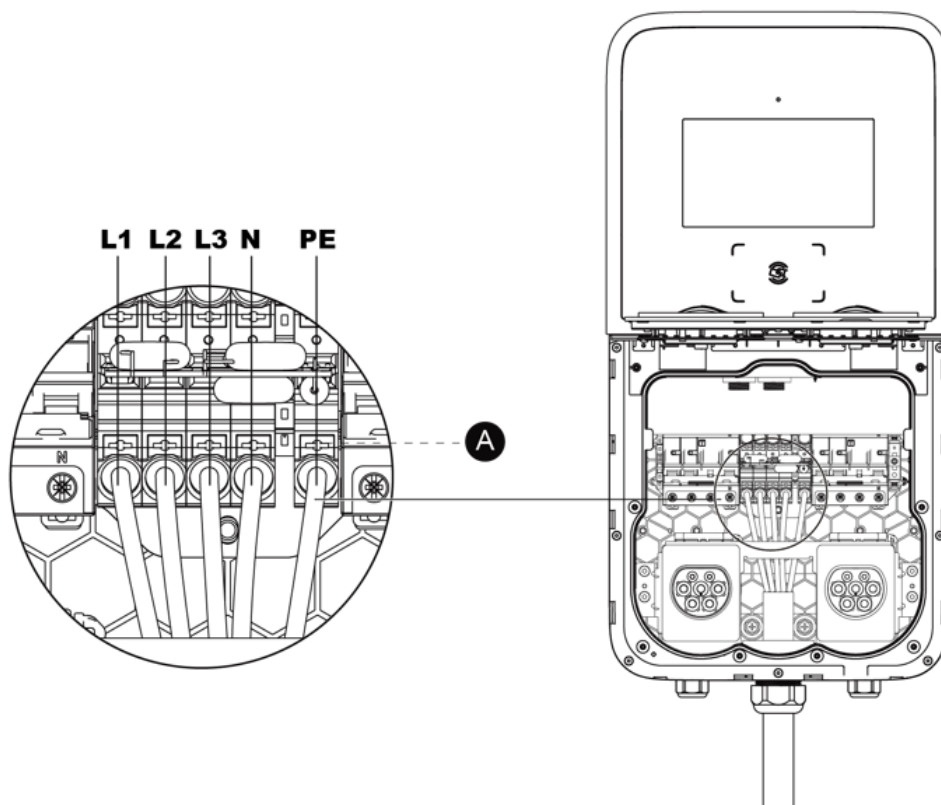


## 4.4 Power Supply Wiring

### NOTE

It is recommended to use 16 mm<sup>2</sup> copper wire. Choose based on the power supply available, local electrical code, and the distance from the distribution box.

1. Loosen the cable gland at the bottom of the charging station and feed the AC input cable through it.
2. Cut and strip the wires to the required length.
3. Crimp the wires to the crimp connectors using a crimping plier.
4. Use a flathead screwdriver to hold the release button **(A)** above the connector hole and push the wires into the holes as shown:
  - L1 (Brown)
  - L2 (Black)
  - L3 (Grey)
  - Neutral (N, blue)
  - Earth (PE, green/yellow striped)
5. Fix the cable gland.



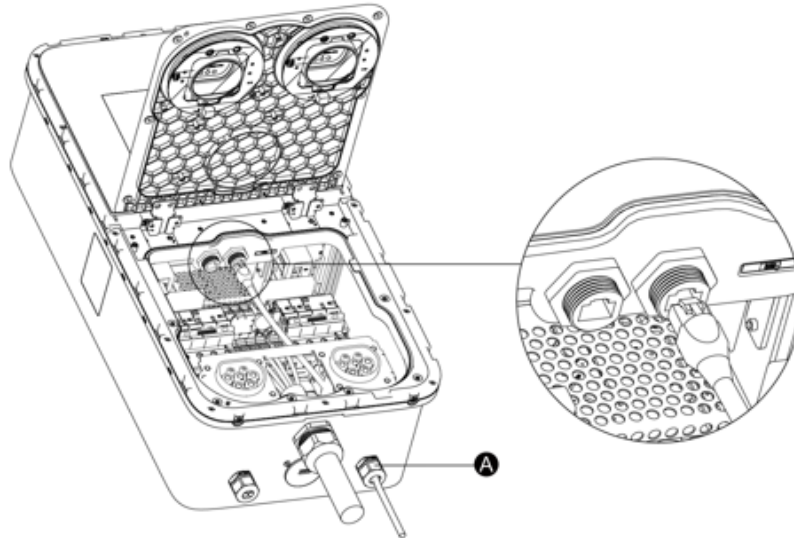


## 4.5 Connecting to the Internet

The MaxiCharger AC Ultra can access the Internet via Ethernet cable, cellular network or Wi-Fi.

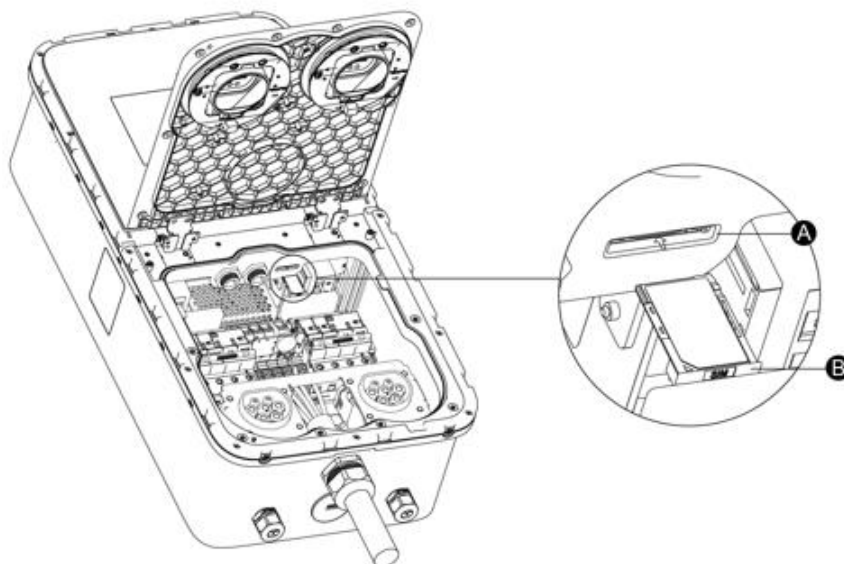
### 4.5.1 Via the Ethernet Cable

1. Insert the Ethernet cable with the RJ45 plug through either of the bottom data cable entry (A).
2. Plug the Ethernet cable into either of the RJ45 port as shown.



### 4.5.2 Via Cellular Network

1. Eject the SIM card tray (B) by pressing the tiny button (A) next to it.
2. Place the SIM card into the tray. Ensure it is inserted correctly.
3. Push the card tray back in place.



### 4.5.3 Via Wi-Fi

To connect the MaxiCharger to the Internet via Wi-Fi, please finish the installation first and refer to [5.1 Initial Setups](#).

## 4.6 Complete Installation

---

1. Ensure that all installation and wiring are secured and correct. Then flip the maintenance cover down. Reinstall and tighten the eight M3 x 8 screws.
2. Reinstall the faceplate and the two M3 x 8 screws. Tighten them accordingly.
3. For floor mounting installation, reinstall the pedestal's lower and upper covers by inserting and tightening the four M5 x 20 screws.

The installation is now complete.

## 4.7 Energize the Charging Station

---

- Ensure all electrical connections are clean, tight, and free of wire strands and metal shavings.
- Turn on the circuit breaker.
- Wipe all surfaces with a soft cloth dampened with warm water.

The charging station is now ready for commissioning.

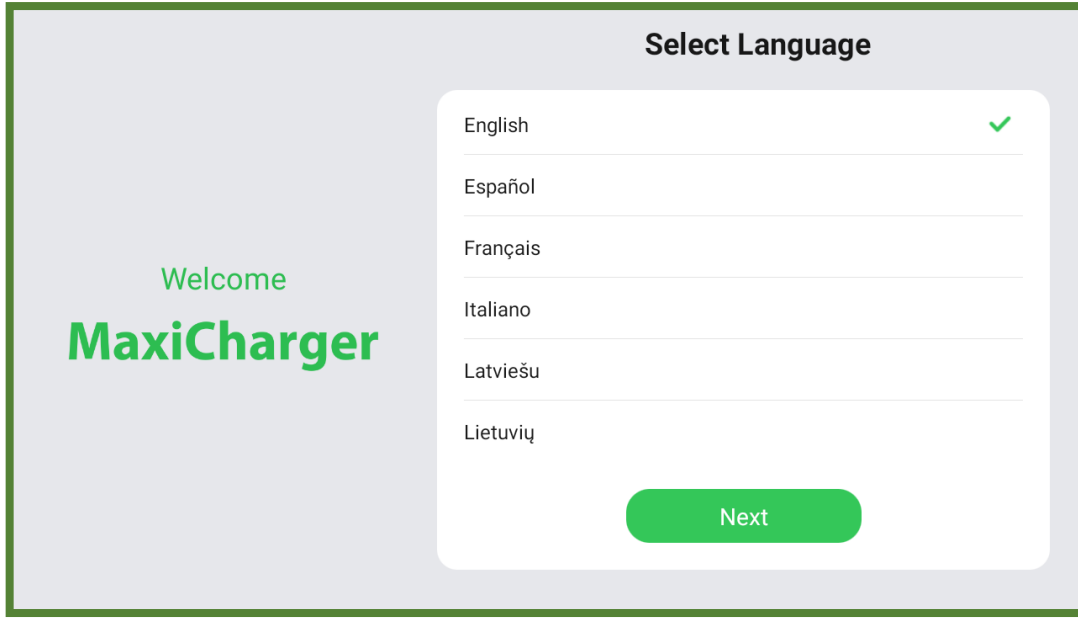
# 5 Settings

## 5.1 Initial Setups

When the MaxiCharger is powered on for the first time, it is required to complete the initial setups by the installation engineer.

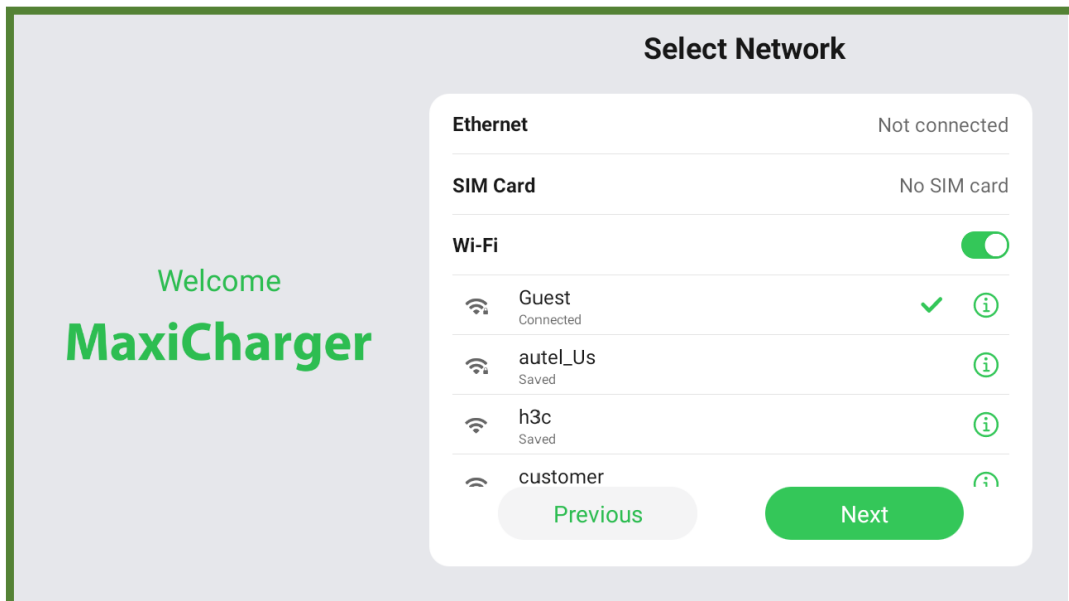
Follow the instructions below:

1. Select the language. Tap **Next** to continue.

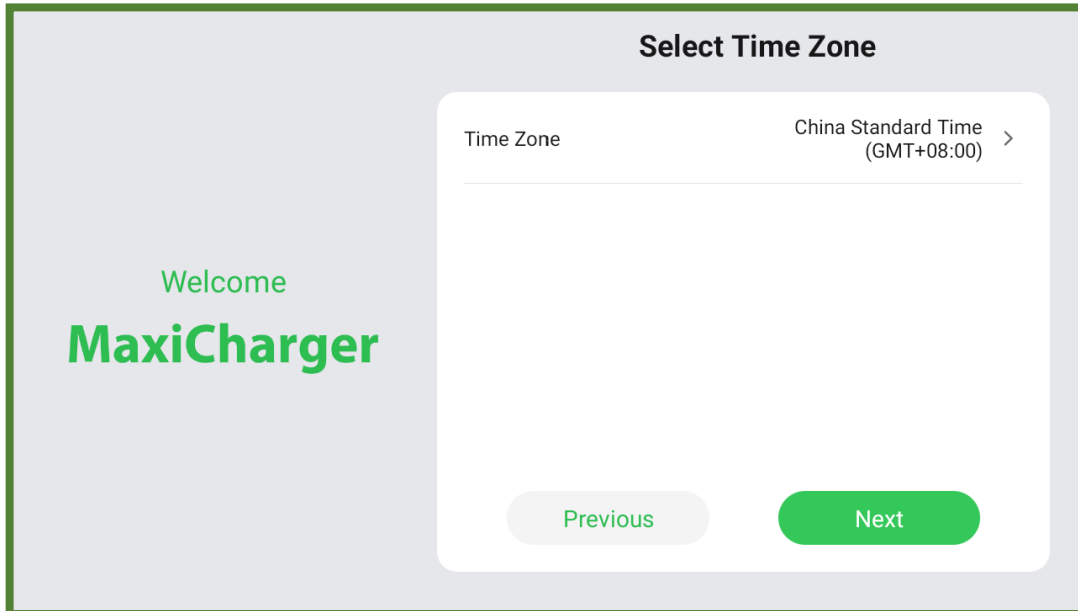


2. Select a local network and enter the Wi-Fi password. If the MaxiCharger has been connected to the Internet via SIM card or Ethernet cable, skip this step. Tap **Next** to continue or **Previous** to return to the previous page.

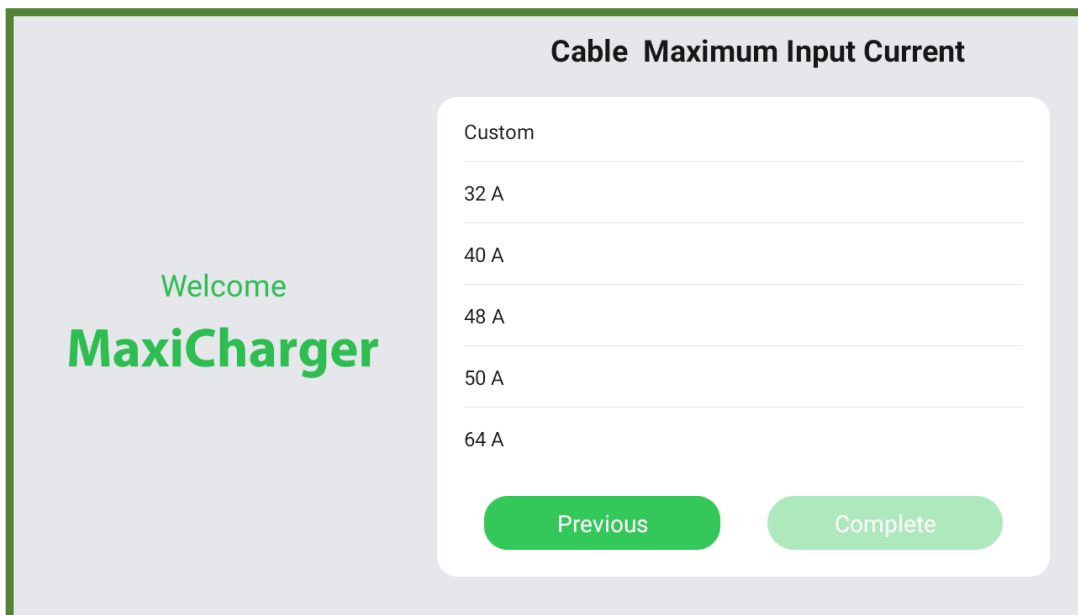
After the network is set up, a screen will appear to allow you to check the quality of the network. Tap **Next** to proceed or **Previous** to view the previous screen.



3. Select the time zone. Tap **Next** to continue or **Previous** to return to the previous page.



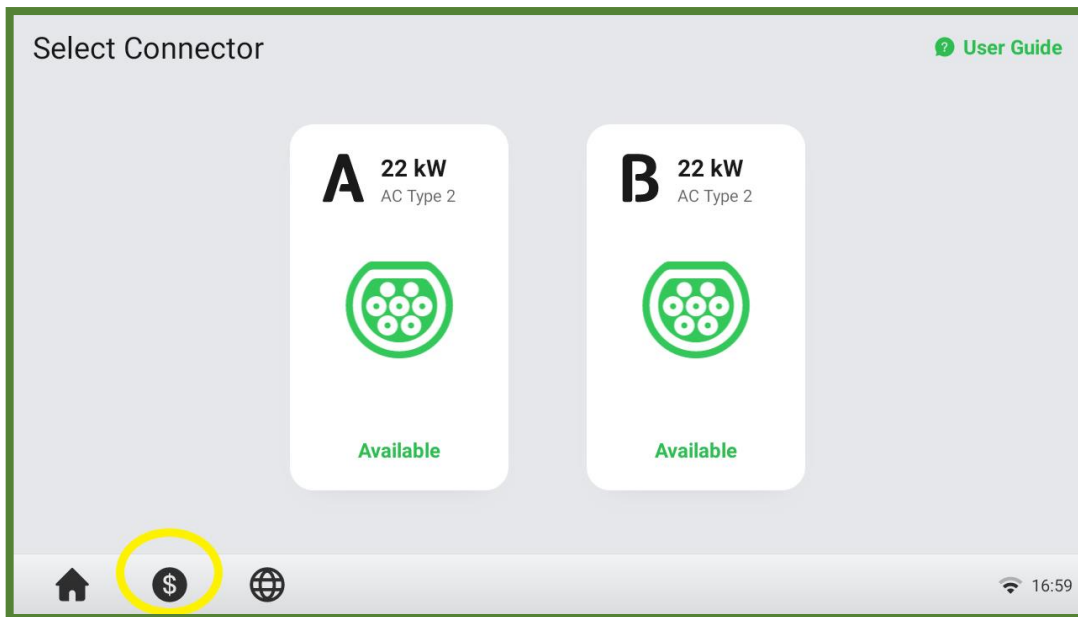
4. Select the maximum input current based on the ratings of the MaxiCharger and local grid capacity. Tap **Complete** to finish the initial setups or **Previous** to return to the previous page.



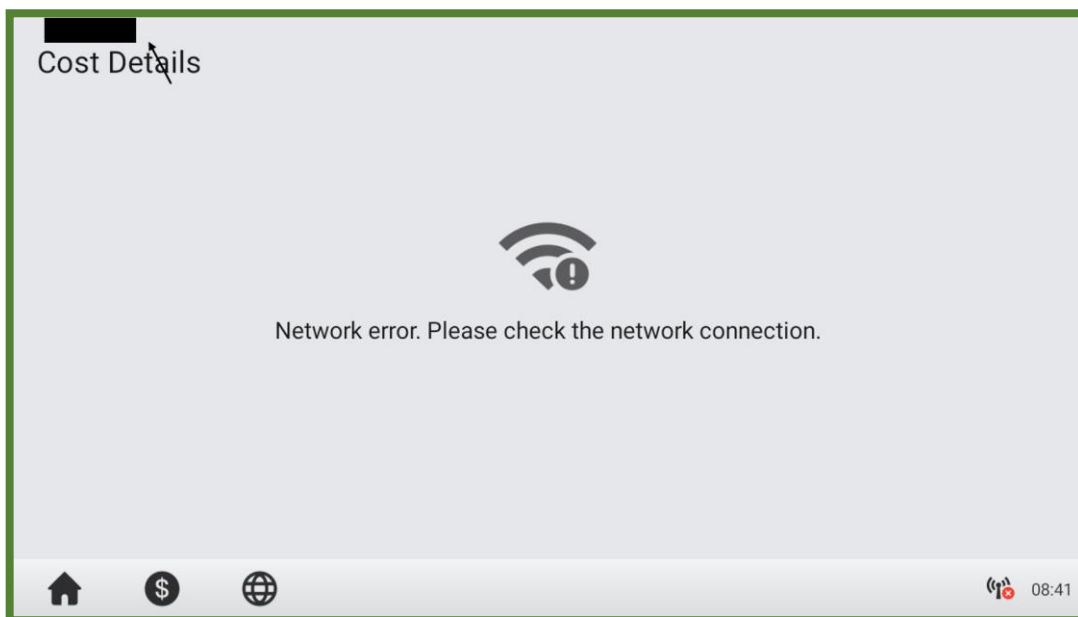
## 5.2 Change the Default Settings

Usually, the MaxiCharger has been set up before shipment, so there is no need for further setups other than described above. To change the default settings:

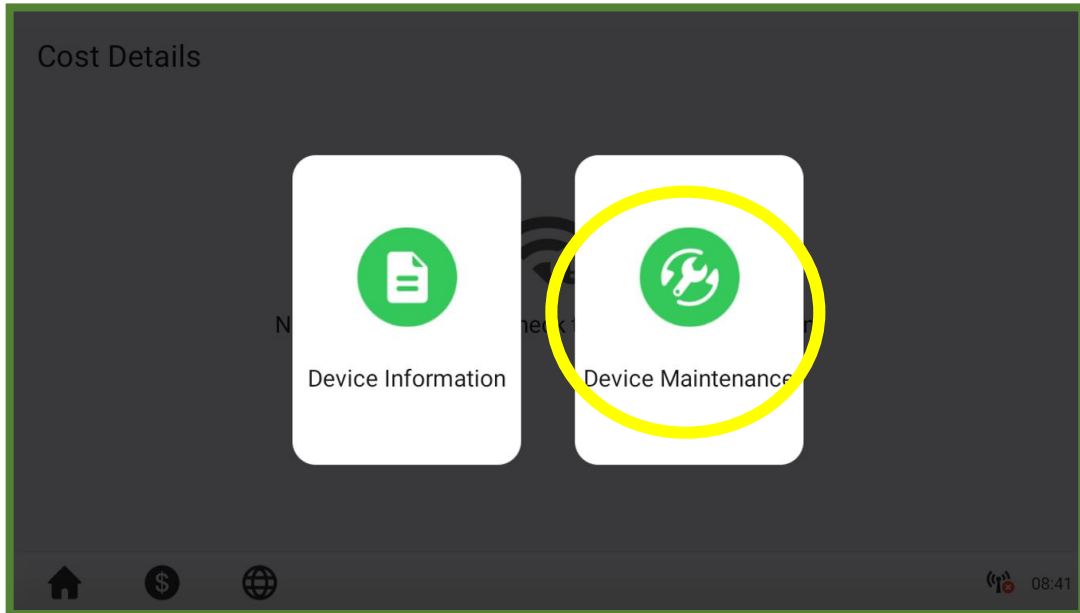
1. On the Standby Screen, tap the “currency (\$)” icon on the lower-left corner to enter the Cost Details Screen.



2. On the Cost Details Screen, double tap the upper-left corner to enter the next page.



3. Select **Device Maintenance** on the screen.



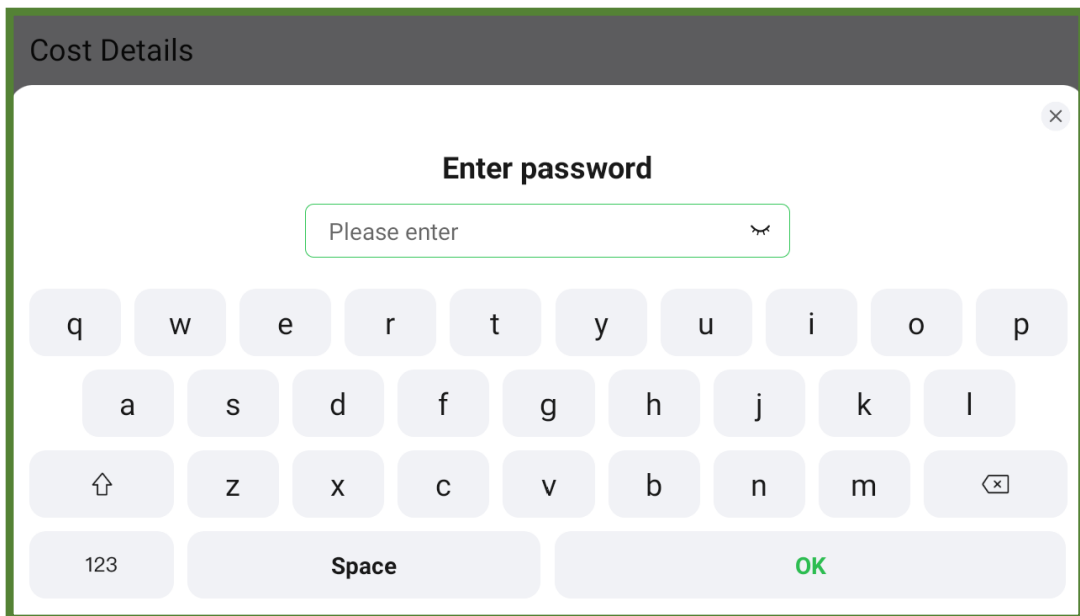
4. A password prompt will appear. Enter **the last 6 digits of the product's serial number** to continue, which can be found on the product label.

---

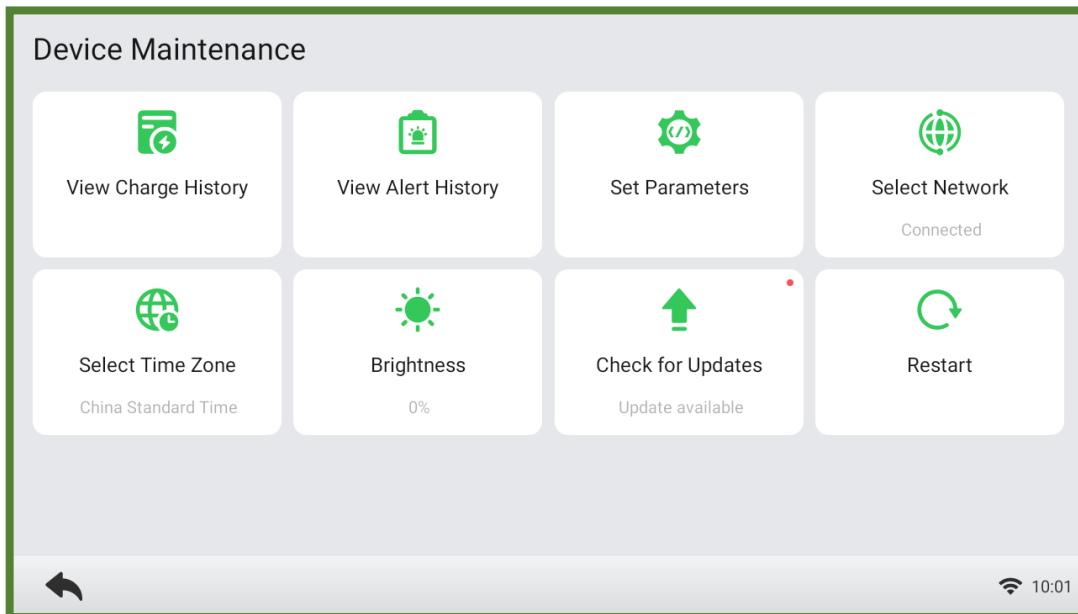
**NOTE**

It is strongly recommended to reset the password for safety reasons. To reset the password, contact Autel technical support.

---

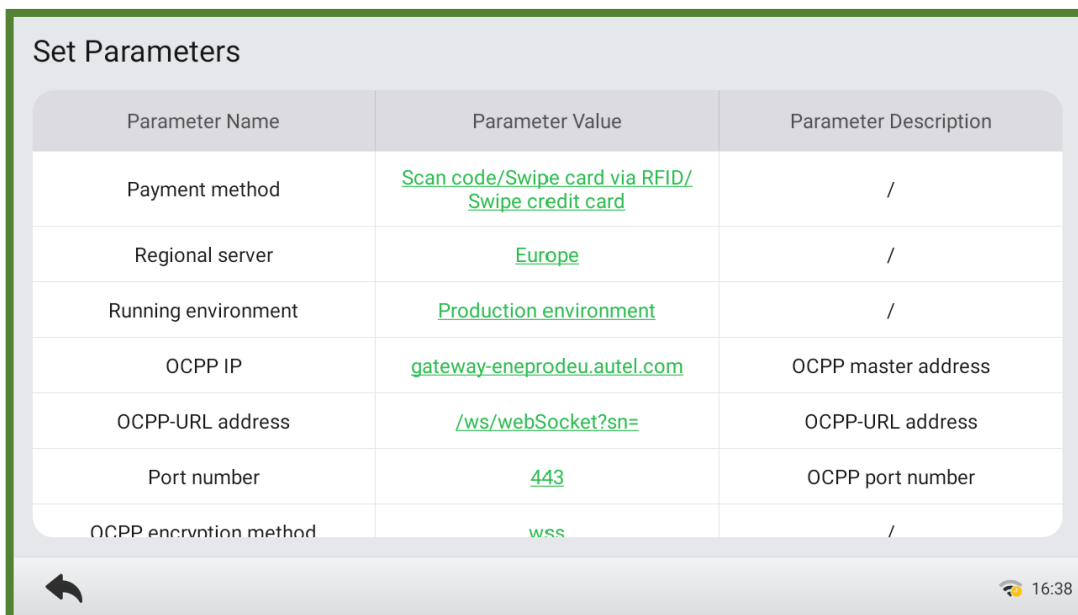


5. On the Device Maintenance Screen, choose a setting to adjust.



6. In some cases where the MaxiCharger uses a third party platform instead of Autel cloud platform, you may need to manually set the parameters by tapping **Set Parameters** on the Device Maintenance Screen.

On the Set Parameters Screen, set the OCPP IP, OCPP URL address, port number, OCPP encryption method, and other parameters if needed.



# 6 Operation

## 6.1 Charging Operations

---

Before beginning a charge session, scan the QR code below to download the Autel Charge app to a mobile device from the Google Play or App Store. Then register an account. You are now ready to use the app to charge the vehicle.



### 6.1.1 Start Charging

1. Insert the charging handle into the charging port on the EV and the charger socket outlet.
2. Choose from the following ways to start a charge session:
  - Tap the RFID card on the RFID reader.
  - Use the Autel Charge app by tapping **Start** on the Charging Screen.
  - Credit card. (Only available for charging stations with a POS device.)

---

#### NOTE

Ensure the EV is charging. The status LED on the charger should be breathing green. If you suspect the vehicle is not charging properly, try reconnecting the charging handle or contact Autel technical support.

---

### 6.1.2 Stop Charging

---

#### NOTE

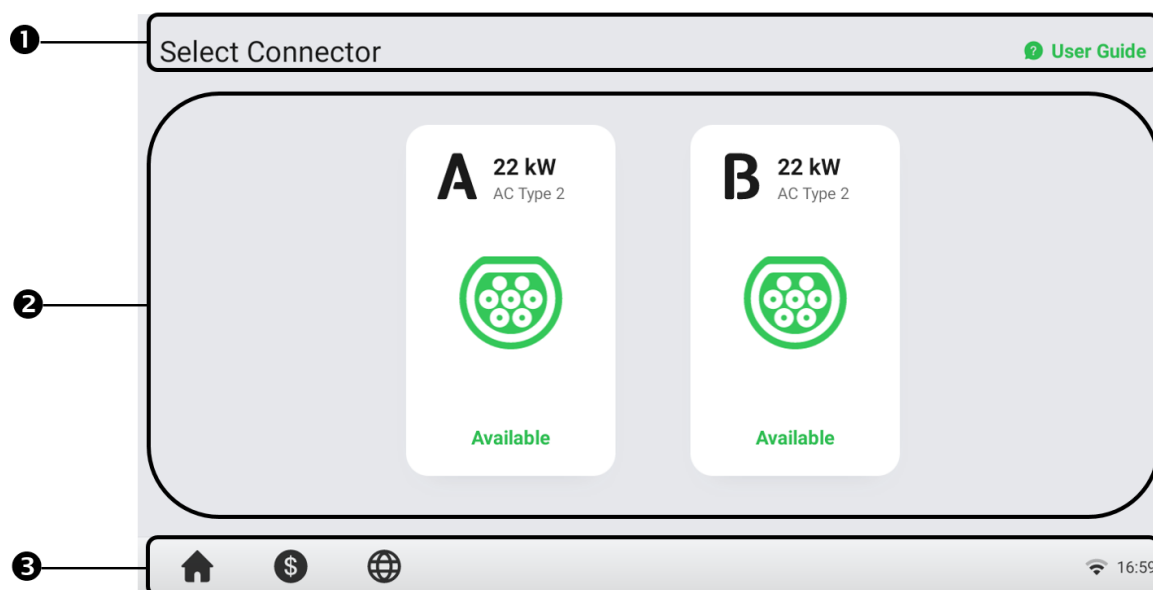
- If the EV charging handle is unplugged during the charge session, the charging station automatically disconnects the power supply. This stops all charging operations.
  - When the vehicle is fully charged, the charging station will automatically disconnect the power supply.
- 

1. To stop charging, choose either of the following two ways:
  - Wait for the charge session to end.
    - The status LED will illuminate green.
    - The Autel Charge app displays that the EV is fully charged.
    - The display will show that the EV is fully charged.
  - End the charge session by tapping the RFID card on the RFID reader again or via the Autel Charge app by tapping **Stop** on the Charging Screen.
2. Remove the charging handle from the charger socket outlet and the EV charging port.



## 6.2 Display Descriptions

### 6.2.1 Standby Screen

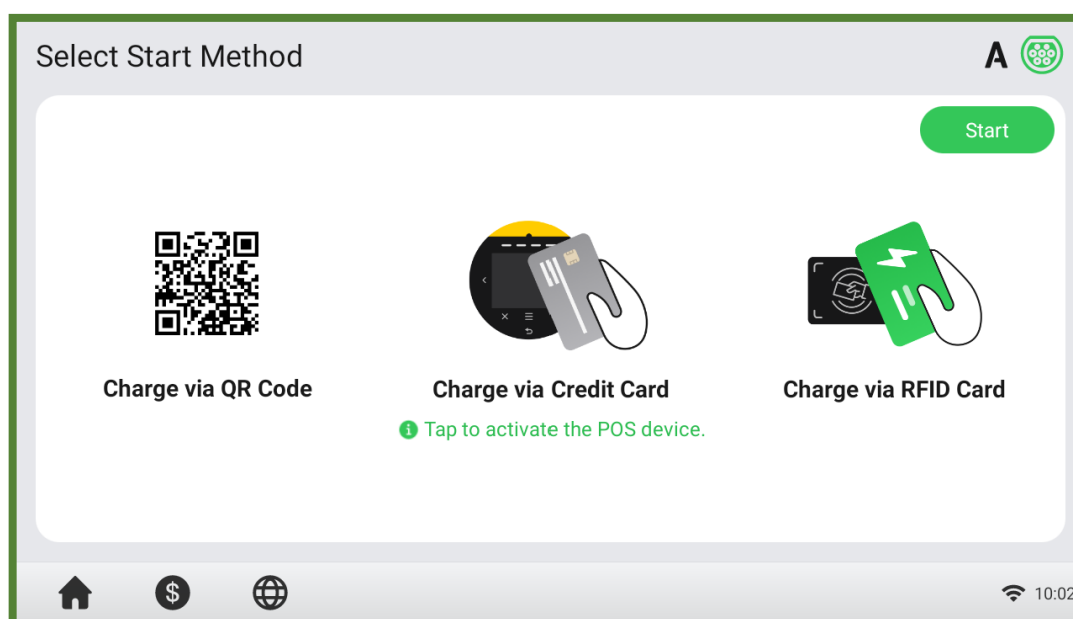


1. Top screen — displays the **User Guide** button (tap to view charging instructions)
2. Middle screen — tap to select a connector
3. Bottom screen — tap to return to the Home page, view the charging costs, and adjust the language

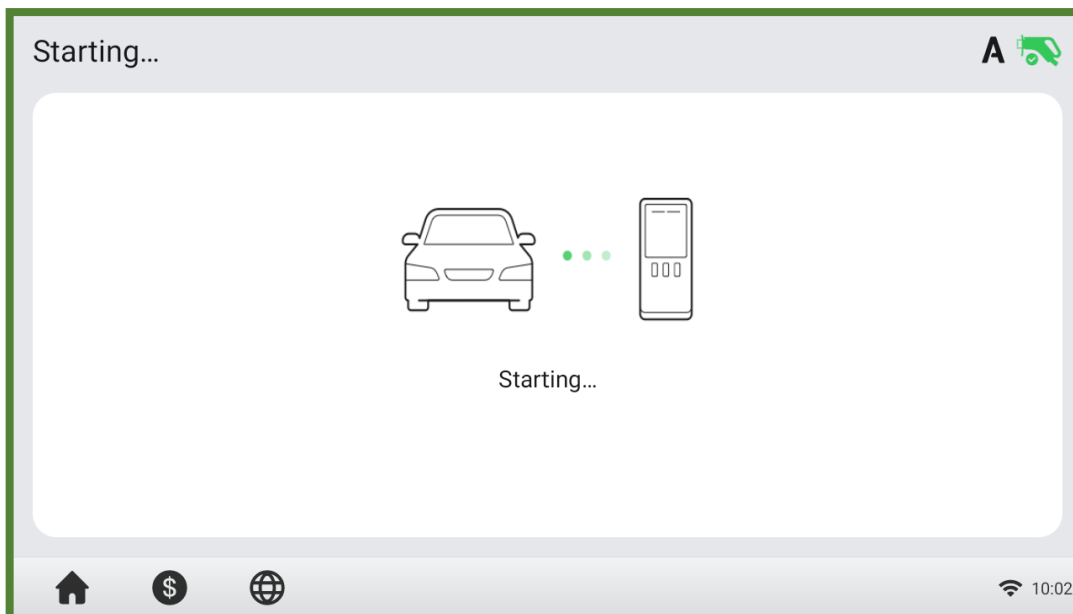
The display shows the Standby Screen when the charging station is in idle status, indicating that the charging station is ready for use. When this screen appears, choose connector A or B to enter the Authorization Screen.

### 6.2.2 Authorization Screen

Choose an authorization method to start a charge session — QR code, RFID card or credit card (optional).



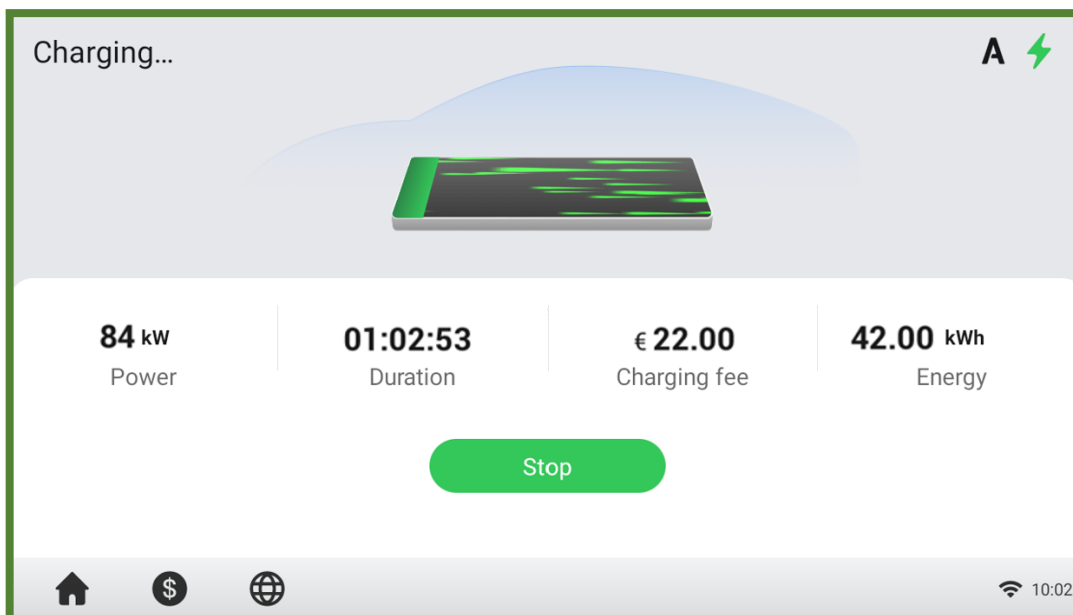
### 6.2.3 Start Charging Screen



### 6.2.4 Charging Screen

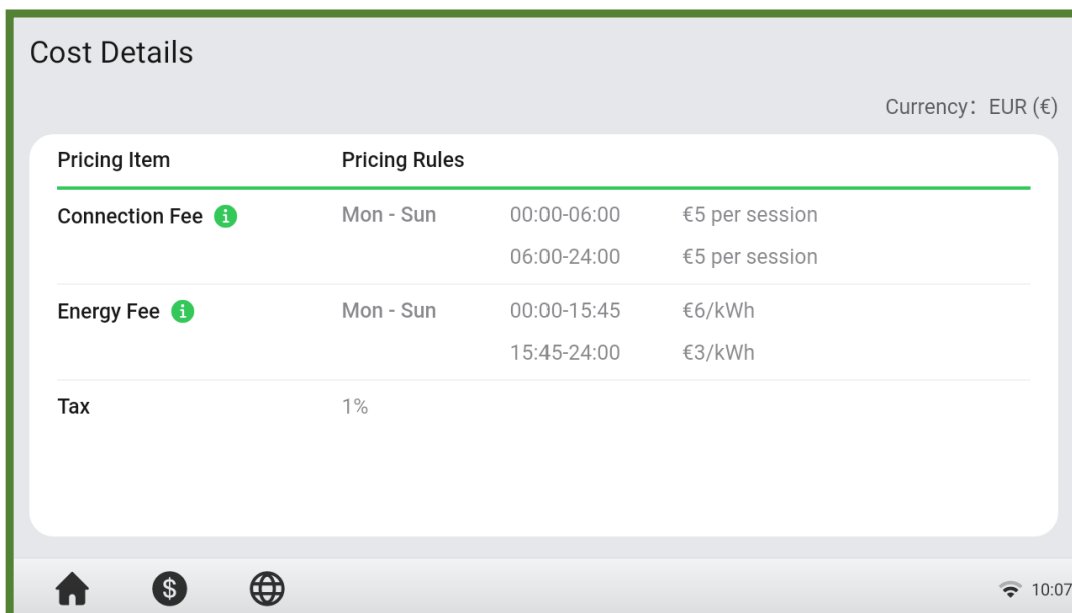
The Charging Screen will show the real-time charging progress, current power, charging duration, current cost, as well as volume.

If needed, tap the **Stop** button on this screen to stop charging.





## 6.2.5 Cost Details Screen

When the charge session ends, the Cost Details Screen will appear.



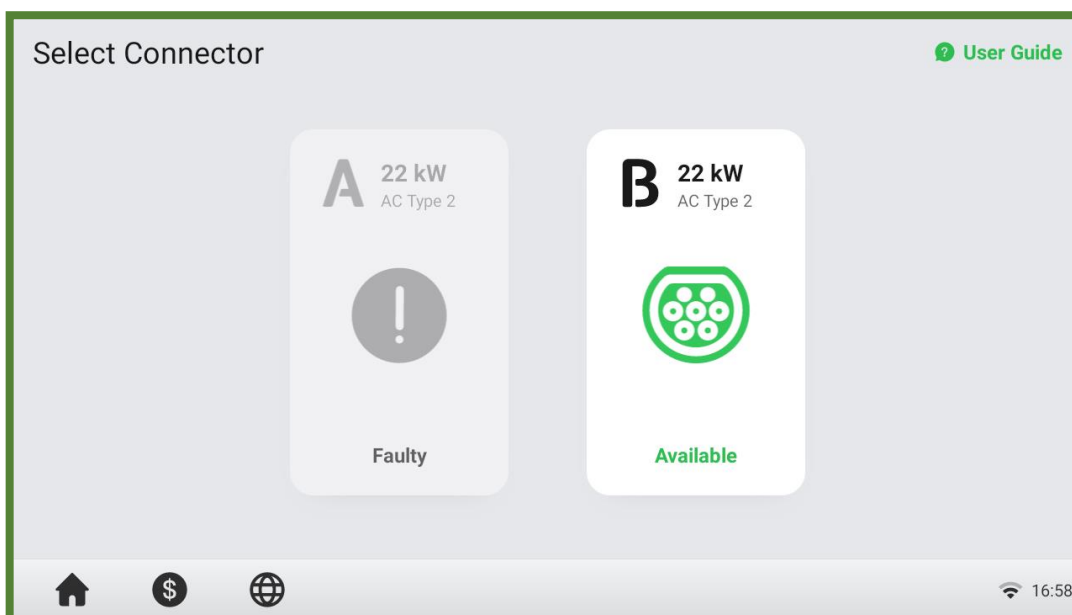
The screenshot shows the 'Cost Details' screen with a currency of EUR (€). It features a table with two columns: 'Pricing Item' and 'Pricing Rules'. The table lists three items: Connection Fee, Energy Fee, and Tax. The Connection Fee and Energy Fee have information icons. The Connection Fee is €5 per session, and the Energy Fee is €6/kWh and €3/kWh. The Tax is 1%.

Pricing Item	Pricing Rules
Connection Fee 	Mon - Sun 00:00-06:00 €5 per session
	06:00-24:00 €5 per session
Energy Fee 	Mon - Sun 00:00-15:45 €6/kWh
	15:45-24:00 €3/kWh
Tax	1%

## 6.2.6 Error Screen

The display shows different error messages depending on the error type. Resolve the problem(s) by following the on-screen instructions, contacting Autel technical support or trying another MaxiCharger. Below is an example for the error screen:

If the charging handle is not available, the following screen may appear.



# 7 Troubleshooting

## 7.1 Troubleshooting Table

Item	Problems	Solutions
1	Over-voltage	Use the multimeter to check whether the voltage on the power input is too high. If the result is greater than or equal to 120 % of the rated voltage (276 V), contact local power grid company.
2	Under-voltage	Use the multimeter to check whether the voltage on the power input is not sufficient. If the result is less than or equal to 70 % of the rated voltage (161 V), contact local power grid company.
3	Ground fault	Ensure the charging station is grounded correctly.
4	Power failure	Ensure the switch to the circuit breaker is on.
5	Over-heating	<ul style="list-style-type: none"><li>● Check whether the EV charging cable is securely connected.</li><li>● Ensure the operating temperature is within the specified range on the product label.</li><li>● Stop charging. Restart charging until it is within the operation temperature range.</li></ul>
6	Residual current detected	Unplug the vehicle and plug in again. If the problem persists, contact customer support.
7	Internet connection fails	<ul style="list-style-type: none"><li>● Try to connect another device to the same Internet, verifying the Internet connection is working properly.</li><li>● If the problem persists, contact customer support.</li></ul>

# 8 Specifications

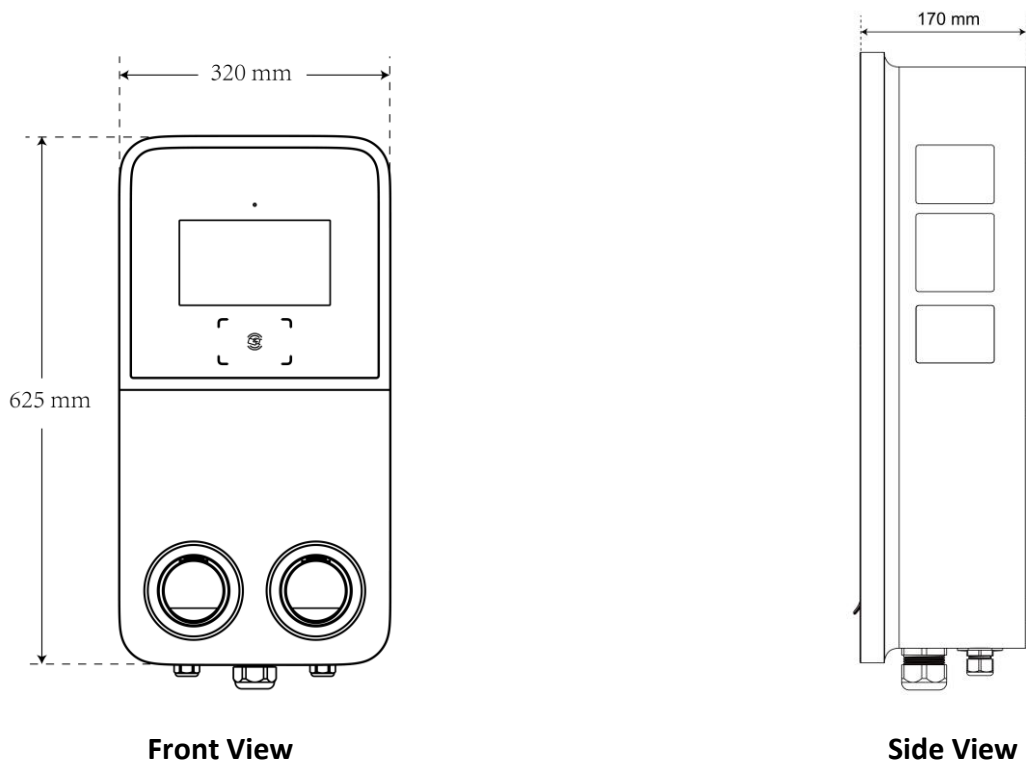
## 8.1 Product Specifications

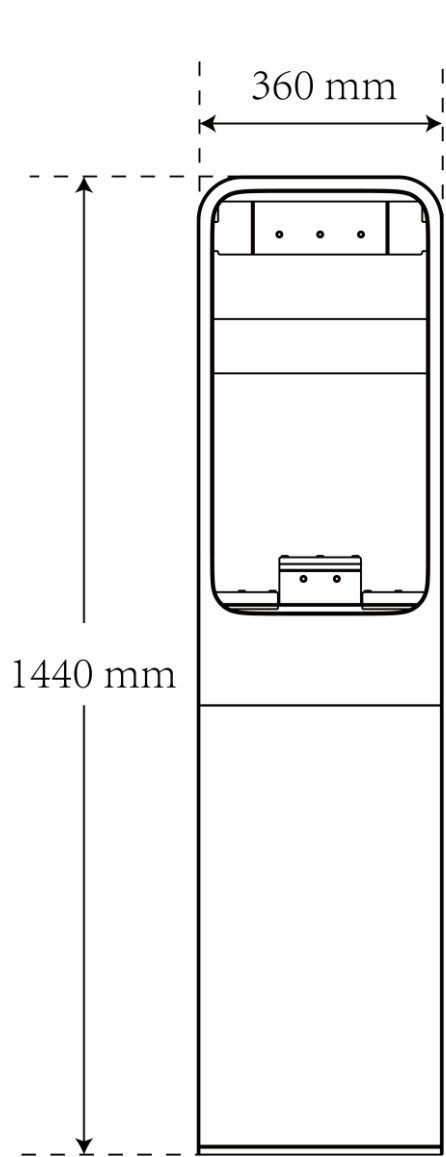
Item	Description
AC Power Output Rating	2 x 22 kW
AC Power Input Rating	400 V ± 15%, three-phase, 50 Hz
Network Type	TN and TT
Circuit Breaker	40 A
Input Wiring Scheme	400 V AC, three-phase (3P + N + PE)
Connector Type	IEC 62196 Type 2 socket or socket with shutter
Display	8-inch touchscreen with 1280 x 720 resolution
Metering	MID or Eichrecht
Ground Fault Detection	Type A 30 mA + DC 6 mA
Protection	Overcurrent, overvoltage, undervoltage, residual current detection
Connectivity	<ul style="list-style-type: none"> <li>● 4G (GSM900: 35 dBm, GSM1800: 32 dBm, WCDMA900/2100: 25dBm, LTE Band 1/3/7/8/20/38/40/28A: 25dBm)</li> <li>● Wi-Fi (Frequency: 2.4G, transmit power: 18.5 dBm)</li> <li>● Ethernet</li> <li>● RS485</li> </ul>
RFID Reader	ISO 15693, ISO 14443
Payment	Credit card
Communications Protocol	OCPP 1.6J (upgradable to OCPP 2.0.1)
Mounting	Wall-mounted or floor using a pedestal
Enclosure Ratings	<ul style="list-style-type: none"> <li>● IP54</li> <li>● IK10</li> <li>● Indoor or outdoor installation</li> </ul>
Operating Temperature	-40 to 55 °C
Storage Temperature	-40 to 70 °C
Dimension (H x W x D)	625 x 320 x 170 mm
Weight	15.4 kg
Operating Humidity	≤ 95%, non-condensing
Operating Altitude	2000 m
Safety and Compliance	IEC/EN 61851-1, EN 62311, EN 62479, IEC/EN 62955
Codes and Standards	EMC Class B, UKCA, BSI 7671
Warranty	3 years

## 8.2 LED Descriptions

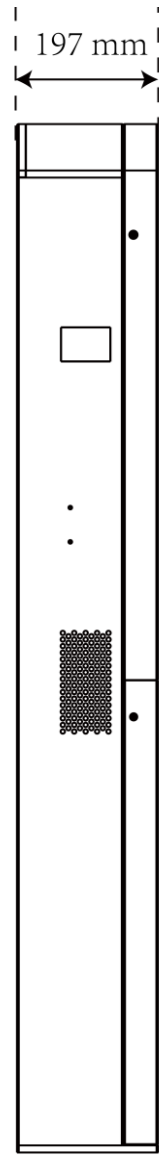
LED	Description
<p><b>Status LED</b></p>	<ul style="list-style-type: none"> <li>● <b>Solid Green:</b> <ul style="list-style-type: none"> <li>– The charging station is in standby mode.</li> <li>– An EV is connected.</li> <li>– A charge session has ended.</li> </ul> </li> <li>● <b>Flashing Green:</b> <ul style="list-style-type: none"> <li>– The charging handle is unplugged. (Turns solid green after 10 seconds.)</li> <li>– The RFID card is used for authentication while the charging handle is not connected. (Turns solid green after 10 seconds.)</li> </ul> </li> <li>● <b>Breathing Green:</b> An EV is connected and a charge session has started.</li> <li>● <b>Solid Red:</b> An error has occurred.</li> <li>● <b>Solid Yellow:</b> The charging station is not available due to any of the followings: <ul style="list-style-type: none"> <li>– The firmware is upgrading.</li> <li>– The charging station is reserved.</li> <li>– It is temporarily disabled by the backend.</li> </ul> </li> <li>● <b>Not Illuminated:</b> The charging station is powered down.</li> </ul>
<p><b>RFID LED</b></p>	<ul style="list-style-type: none"> <li>● <b>Solid Green:</b> The RFID function is enabled.</li> <li>● <b>Not Illuminated:</b> The RFID function is disabled.</li> </ul>

## 8.3 Product Dimensions





**Pedestal Front View**



**Pedestal Side View**

**Pedestal Weight:** 27.25 kg  
**Pedestal Material:** Stainless Steel SUS430

# 9 Compliance

The product is in conformity with the following standards and/or other normative documents:

EN 301 489-1 V2.2.3

EN 301 489-3 V2.1.1

EN 301 489-17 V3.2.4

EN 301 489-52 V2.1.1

EN 300 328 V2.2.2

EN 300 330 V2.1.1

EN 301 908-1 V13.1.1

EN 301 908-2 V13.1.1

EN 301 908 -13 V13.1.1

EN 301 511 V12.5.1

EN 50663

EN 50665

BS EN IEC 61851-1

EN IEC 61851-1

IEC 61851-21-2

EN IEC 61851-21-2

EN 50470-1

EN 50470-3



**AUTEL<sup>®</sup>**

[www.autelenergy.com](http://www.autelenergy.com)