



## TJ Lifted Boat Side Body Mounts Installation Instructions

Thank you for purchasing our TJ Lifted Boat Side Body Mounts!

### Installation Notes:

- These mounts are designed to replace the OEM TJ Body Mounts and give 1.25" of body lift
- These mounts fit a 1997-2006 Jeep Wrangler TJ and 2004-2006 Jeep Wrangler LJ
- Installation of this product requires a trained welder
- Removal existing mounts is required for installation
- Refer to your vehicles factory service manual for removal of any factory components
- Body lift bushings will have to be used at the front and rear of the Jeep

### Tools required:

- Welding machine with the capability of welding at least ¼" steel.
- Proper cutting tool (Grinder with cut off wheel, plasma cutter, cutting torch, etc.)
- 16MM Socket
- Ratchet
- Level

## Contents of box

Bill of Materials for B4WK12795			
QTY	Part Number	Etch Number	Description
2	B4W188A62	A62	TJ Front Body Mount 1.25" Up
2	B4W188A63	A63	TJ Front Body Mount Top 1.25" Up
2	B4W188A64	A64	TJ Center Body Mount 1.25" Up
2	B4W188A65	A65	TJ Center Body Mount Top 1.25" Up
2	B4W188A66	A66	TJ Rear Body Mount 1.25" Up
2	B4W188A67	A67	TJ Rear Body Mount Top 1.25" Up

## Step 1:

Park the Jeep on a level surface and remove the body mount bolts and bushings.

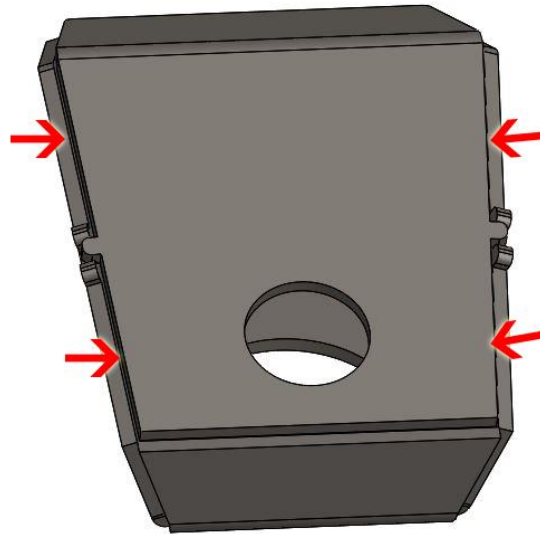
## Step 2:

Using the proper cutting tool remove the OEM side frame body mounts.



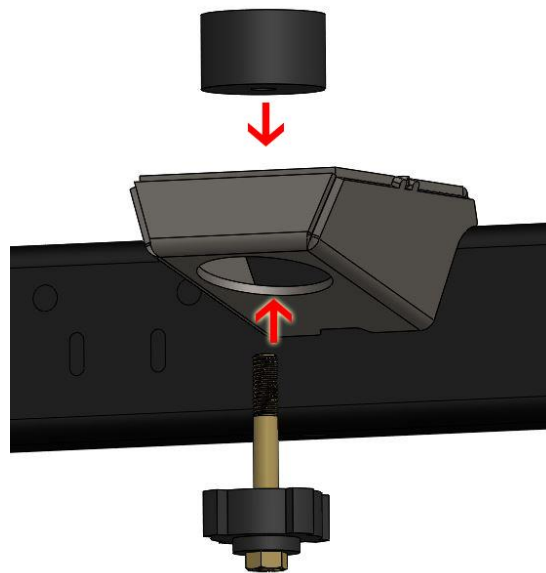
### Step 3:

Weld the top cap on the body mounts as shown in the picture below.



### Step 4:

Install the body mount brackets on the frame, the 2 long mounts will need to go to the front of the Jeep. As shown in the picture below.



### **Step 5:**

Tighten the bolt into the body until it is snug and tack weld the body mount into place on the frame making sure the body is level from driver to passenger and front to back.

### **Step 6:**

Remove the body mount bushings and weld the bracket completely together and to the frame.

### **Step 7:**

Repeat steps 2 through 6 on the opposite side of the Jeep.

## **Congratulations! You have Completed Installation of your Barnes 4WD Jeep TJ Lifted Body Mounts.**

#### Professional Services Disclaimer:

The content of all pages of this website (collectively, the "Website"), such as text, graphics, images, information and other material (collectively, "Content") is for informational purposes only. Any information furnished on this Website is not intended nor implied to be automotive advice and is not intended to replace personal consultation with a qualified automotive service technician, mechanic, or similar automotive professional.

Barnes 4WD has not examined the Content for accuracy, timeliness, completeness, appropriateness, or helpfulness. Barnes 4WD does not endorse any specific tests, products, procedures, opinions, or other information that may be mentioned on this Website. Your reliance upon information and Content obtained by you at or through this Website is solely at your own risk. IN NO EVENT SHALL BARNES 4WD BE LIABLE OR OTHERWISE RESPONSIBLE FOR ANY DAMAGE OR INJURY (INCLUDING DEATH) TO YOU, OTHER PERSONS, OR PROPERTY ARISING FROM ANY USE OF ANY PRODUCT, INFORMATION, IDEA, OR INSTRUCTION CONTAINED IN THE CONTENT.

BARNES 4WD DOES NOT MAKE ANY REPRESENTATION OR WARRANTY, EXPRESS OR IMPLIED, AT LAW OR IN EQUITY, WITH RESPECT TO ANY PRODUCT FEATURED ON THE WEBSITE, INCLUDING WITHOUT LIMITATION WITH RESPECT TO MERCHANTABILITY, FITNESS FOR ANY PARTICULAR PURPOSE, VALUE, VALIDITY, OR ENFORCEABILITY, AND ANY AND ALL SUCH OTHER REPRESENTATIONS OR WARRANTIES ARE HEREBY EXPRESSLY DISCLAIMED.