



## TJ/YJ Transfer Case Skid Hardware Repair Kit Installation Instructions

Thank you for purchasing this product!

### Installation Notes:

- The repair inserts must be welded to the frame of your Jeep.

### Tools required:

- |   |  |
|---|--|
| <ul style="list-style-type: none"> <li>• 3/4" Drill Bit</li> <li>• 19mm Socket (2003-2006 TJ)</li> <li>• 3/4" Socket</li> </ul> | <ul style="list-style-type: none"> <li>• Ratchet</li> <li>• Welder</li> <li>• Grinder</li> </ul> |
|---|--|

## Contents of each box

Bill Of Materials For B4WK12823 1987-2002 TJ/YJ Transfer Case Skid Hardware Repair Kit			
QTY	Part Number	Etch Number	Description
6	B4WTJTCRI	N/A	TJ/YJ Transfer Case Skid Repair Insert
6	B4WTJTCTW	N/A	87-02 TJ/YJ Transfer Case Skid Tapered Washer
6	50C150HCS8Y	N/A	1/2"-13 x 1.5" Hex Head Bolt Grade 8 Yellow Zinc

Bill Of Materials For B4WK12824 2003-2006 TJ Transfer Case Skid Hardware Repair Kit			
QTY	Part Number	Etch Number	Description
6	B4WTJTCRI	N/A	TJ/YJ Transfer Case Skid Repair Insert
6	50NWSAFY	N/A	1/2" SAE Flat Washer Yellow Zinc
6	50C150HCS8Y	N/A	1/2"-13 x 1.5" Hex Head Bolt Grade 8 Yellow Zinc

### **Step 1:**

With the transmission and transfer case supported, remove the 6 bolts holding the transfer case skid and remove the skid.

### **Step 2:**

Remove the factory nutsert from the frame of your Jeep. Once the insert is removed, drill out the hole where the factory insert was to 3/4". Grind the frame so it will be flat and smooth.

Repeat this for all 6 nutserts and holes in the frame.

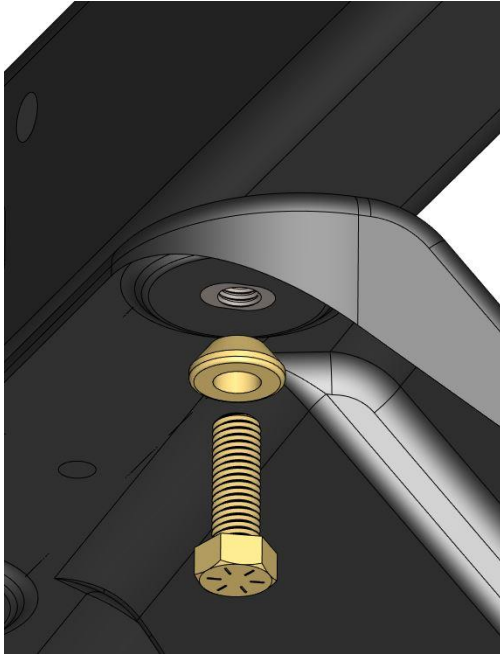
### **Step 3:**

Place the new threaded insert into the frame and weld the insert to the frame. Repeat this for all 6 inserts.

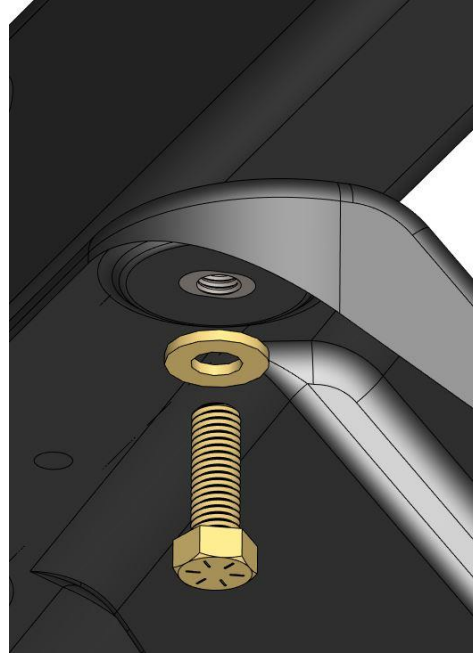


## Step 4:

Place the skid back in place. Depending on the year model of your Jeep, you will either install the skid with a tapered washer (Kit: B4WK12823) or flat washer (Kit: B4WK12824). Fully tighten all hardware.



Kit: B4WK12823



Kit: B4WK12824

## Congratulations! You have finished the installation of the Barnes 4WD Jeep TJ/YJ Transfer Case Skid Hardware Repair Kit!

### Professional Services Disclaimer:

The content of all pages of this website (collectively, the "Website"), such as text, graphics, images, information and other material (collectively, "Content") is for informational purposes only. Any information furnished on this Website is not intended nor implied to be automotive advice and is not intended to replace personal consultation with a qualified automotive service technician, mechanic, or similar automotive professional.

Barnes 4WD has not examined the Content for accuracy, timeliness, completeness, appropriateness, or helpfulness. Barnes 4WD does not endorse any specific tests, products, procedures, opinions, or other information that may be mentioned on this Website. Your reliance upon information and Content obtained by you at or through this Website is solely at your own risk. IN NO EVENT SHALL BARNES 4WD BE LIABLE OR OTHERWISE RESPONSIBLE FOR ANY DAMAGE OR INJURY (INCLUDING DEATH) TO YOU, OTHER PERSONS, OR PROPERTY ARISING FROM ANY USE OF ANY PRODUCT, INFORMATION, IDEA, OR INSTRUCTION CONTAINED IN THE CONTENT.

BARNES 4WD DOES NOT MAKE ANY REPRESENTATION OR WARRANTY, EXPRESS OR IMPLIED, AT LAW OR IN EQUITY, WITH RESPECT TO ANY PRODUCT FEATURED ON THE WEBSITE, INCLUDING WITHOUT LIMITATION WITH RESPECT TO MERCHANTABILITY, FITNESS FOR ANY PARTICULAR PURPOSE, VALUE, VALIDITY, OR ENFORCEABILITY, AND ANY AND ALL SUCH OTHER REPRESENTATIONS OR WARRANTIES ARE HEREBY EXPRESSLY DISCLAIMED.