

Thank You for Purchasing Barnes4WD

TJ/LJ/XJ/ZJ OEM Track Bar Bolt Kit

Installation Notes:

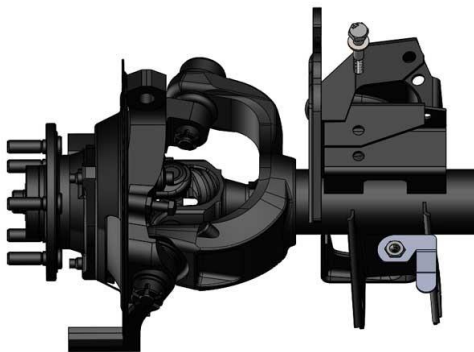
- This kit is designed to replace the OEM hardware and flag nut out of your Jeep TJ/LJ/XJ/ZJ. No modification to the track bar or bracket is needed.
- Removal of existing hardware and flag nut is required.
- Refer to your vehicle's factory service manual for removal of any factor components.

Tools required:

- Ratchet and Socket Set
- Pliers

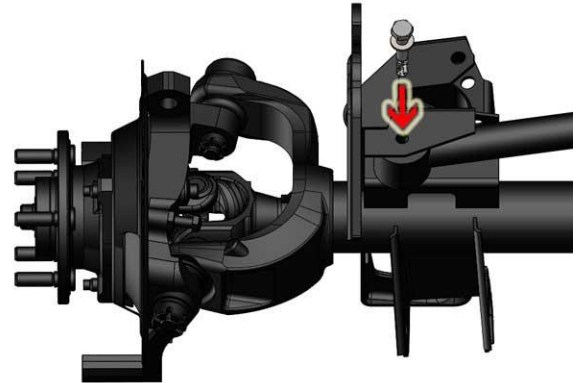
Step 1:

Unbolt O.E.M hardware and flag nut. From front axle track bar bracket. This will allow for the track bar to be moved out of the way.



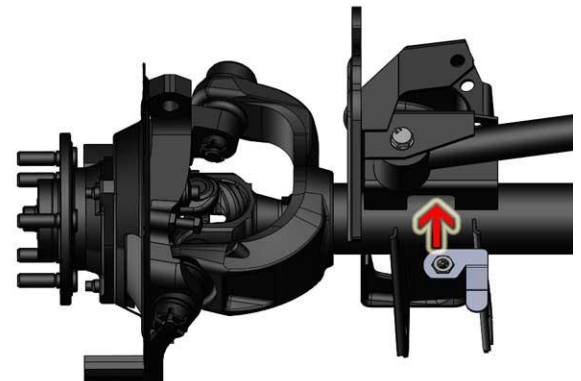
Step 2:

Move track bar back into mount and insert new bolt entirely through the track bar mount and track bar.



Step 3:

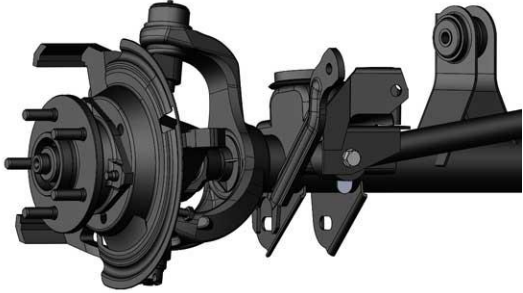
Insert flag nut into slot in front axle track bar bracket.



Move the flag nut in position where you can begin to thread the bolt into the nut.

Step 4:

Torque Bolt to 40 FT-LBS



Congratulations! You have completed
Installation of your Barnes 4WD

TJ/LJ/XJ/ZJ OEM Track Bar Bolt Kit

Professional Services Disclaimer:

The content of all pages of this website (collectively, the "Website"), such as text, graphics, images, information and other material (collectively, "Content") is for informational purposes only. Any information furnished on this Website is not intended nor implied to be automotive advice and is not intended to replace personal consultation with a qualified automotive service technician, mechanic, or similar automotive professional.

Barnes 4WD has not examined the Content for accuracy, timeliness, completeness, appropriateness, or helpfulness. Barnes 4WD does not endorse any specific tests, products, procedures, opinions, or other information that may be mentioned on this Website. Your reliance upon information and Content obtained by you at or through this Website is solely at your own risk. IN NO EVENT SHALL BARNES 4WD BE LIABLE OR OTHERWISE RESPONSIBLE FOR ANY DAMAGE OR INJURY (INCLUDING DEATH) TO YOU, OTHER PERSONS, OR PROPERTY ARISING FROM ANY USE OF ANY PRODUCT, INFORMATION, IDEA, OR INSTRUCTION CONTAINED IN THE CONTENT.

BARNES 4WD DOES NOT MAKE ANY REPRESENTATION OR WARRANTY, EXPRESS OR IMPLIED, AT LAW OR IN EQUITY, WITH RESPECT TO ANY PRODUCT FEATURED ON THE WEBSITE, INCLUDING WITHOUT LIMITATION WITH RESPECT TO MERCHANTABILITY, FITNESS FOR ANY PARTICULAR PURPOSE, VALUE, VALIDITY, OR ENFORCEABILITY, AND ANY AND ALL SUCH OTHER REPRESENTATIONS OR WARRANTIES ARE HEREBY EXPRESSLY DISCLAIMED.

