



Stock Style Jeep TJ Body Mount Set Installation Instructions

Thank you for your purchase!

Installation Notes:

- These mounts are designed to replace the OEM TJ Body Mounts.
- These mounts fit a 1997-2006 Jeep Wrangler TJ and 2004-2006 Jeep Wrangler LJ.
- Installation of this product requires a trained welder.
- Removal of existing mounts is required for installation.
- Refer to your vehicles factory service manual for removal of any factory components.

Tools required:

- Welding machine with the capability of welding at least ¼" steel.
- Proper cutting tool (Grinder with cut off wheel, plasma cutter, cutting torch, etc.)
- 16MM Socket
- Ratchet
- Level

Contents of box

Bill of Materials for B4WK12795			
QTY	Part Number	Etch Number	Description
1	B4W188A73	A73	TJ Factory Body Mount AP
1	B4W188A74	A74	TJ Factory Body Mount BP
1	B4W188A75	A75	TJ Factory Body Mount CP
1	B4W188A76	A76	TJ Factory Body Mount AD
1	B4W188A77	A77	TJ Factory Body Mount BD
1	B4W188A78	A78	TJ Factory Body Mount CD

Step 1:

Park the Jeep on a level surface and remove the body mount bolts and bushings.

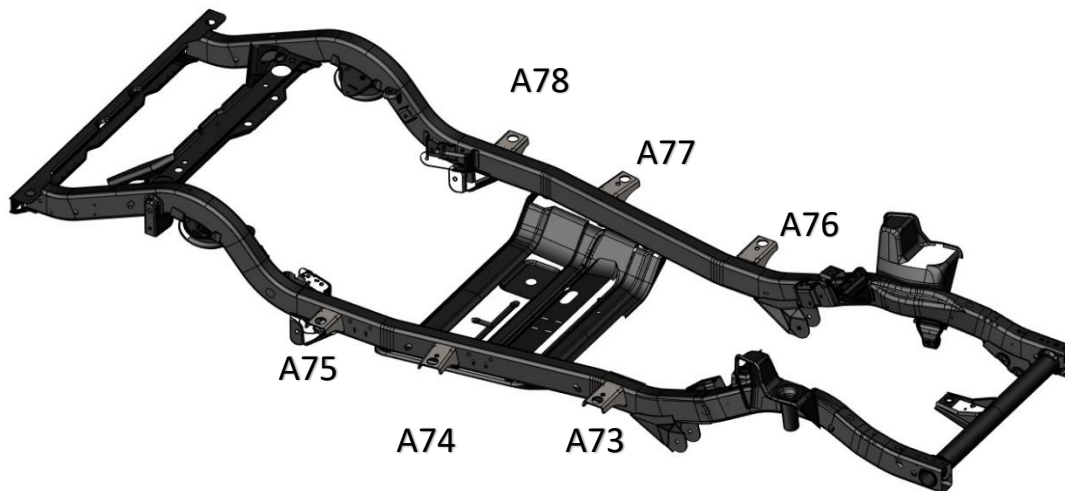
Step 2:

Using the proper cutting tool remove the OEM frame side body mounts as needed.



Step 3:

Install the body mount brackets on the frame as shown in the picture below.



Step 5:

Tighten the bolt into the body until it is snug, and tack weld the body mount into place on the frame making sure the body is level from driver to passenger and front to back.

Step 6:

Remove the body mount bushings and weld the bracket completely together and to the frame.

Congratulations you have completed the installation!

Professional Services Disclaimer:

The content of all pages of this website (collectively, the "Website"), such as text, graphics, images, information and other material (collectively, "Content") is for informational purposes only. Any information furnished on this Website is not intended nor implied to be automotive advice and is not intended to replace personal consultation with a qualified automotive service technician, mechanic, or similar automotive professional.

Barnes 4WD has not examined the Content for accuracy, timeliness, completeness, appropriateness, or helpfulness. Barnes 4WD does not endorse any specific tests, products, procedures, opinions, or other information that may be mentioned on this Website. Your reliance upon information and Content obtained by you at or through this Website is solely at your own risk. IN NO EVENT SHALL BARNES 4WD BE LIABLE OR OTHERWISE RESPONSIBLE FOR ANY DAMAGE OR INJURY (INCLUDING DEATH) TO YOU, OTHER PERSONS, OR PROPERTY ARISING FROM ANY USE OF ANY PRODUCT, INFORMATION, IDEA, OR INSTRUCTION CONTAINED IN THE CONTENT.

BARNES 4WD DOES NOT MAKE ANY REPRESENTATION OR WARRANTY, EXPRESS OR IMPLIED, AT LAW OR IN EQUITY, WITH RESPECT TO ANY PRODUCT FEATURED ON THE WEBSITE, INCLUDING WITHOUT LIMITATION WITH RESPECT TO MERCHANTABILITY, FITNESS FOR ANY PARTICULAR PURPOSE, VALUE, VALIDITY, OR ENFORCEABILITY, AND ANY AND ALL SUCH OTHER REPRESENTATIONS OR WARRANTIES ARE HEREBY EXPRESSLY DISCLAIMED.