



Barnes 4wd Single Jerry Can Mount Installation Instructions

Thank you for purchasing our Single Jerry Can Mount!

Installation Notes:

- **All Hardware is stainless steel to prevent corrosion. Hardware will need installed by hand with antiseize to prevent galling.**
- This jerry can mount is designed to securely mount a Scepter 5 gallon can
- The Mount includes a location to use a Master lock part # 7LF to lock the can in place.
- The mount can be mounted to any side of the mount using its mounting locations
- While installing leave all hardware loose until the final step.
- Torque all 3/8" hardware to 19 Ft-Lbs.

Tools required:

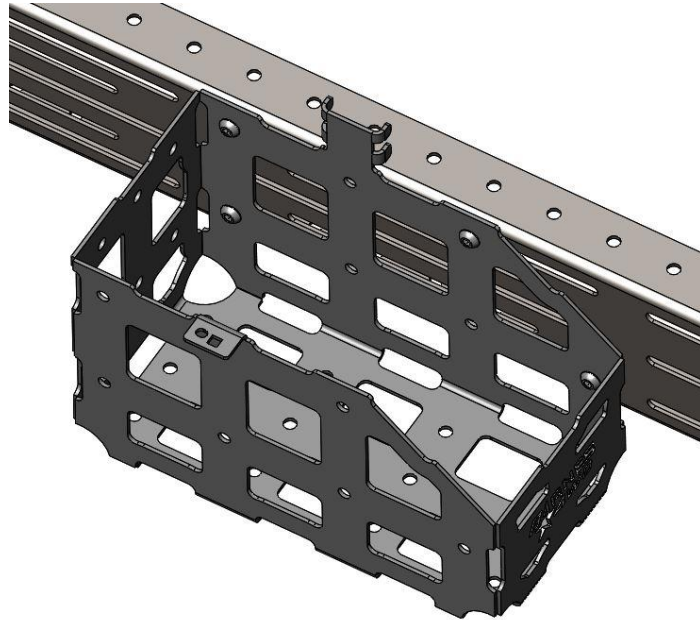
- 9/16" Wrench
- 7/32" Allen Socket
- 3/8" Driver Ratchet
- Antiseize

Contents of box

Bill of Materials for B4WK12633 Single Jerry Can Mount Prepack		
QTY	Part Number	Description
1	B4W125063WP	Single Jerry Can Mount Welded and Powder Coated
1	B4W125064P	Single Jerry Can Mount Strap Powder Coated
1	31C175BCGS	5/16-18 X1.75 Carriage Head Bolt Stainless
1	31CNWIS	5/16-18 Stainless Wing Nut
1	31NWUSS	5/16 USS Stainless Flat Washer
4	37C100KBCS	3/8"-16 X 1" Button Head Cap Screw Stainless
4	37CNNES	3/8"-16 Stainless Nylock Nut
4	37NWUSS	3/8" USS Flat Washer Stainless

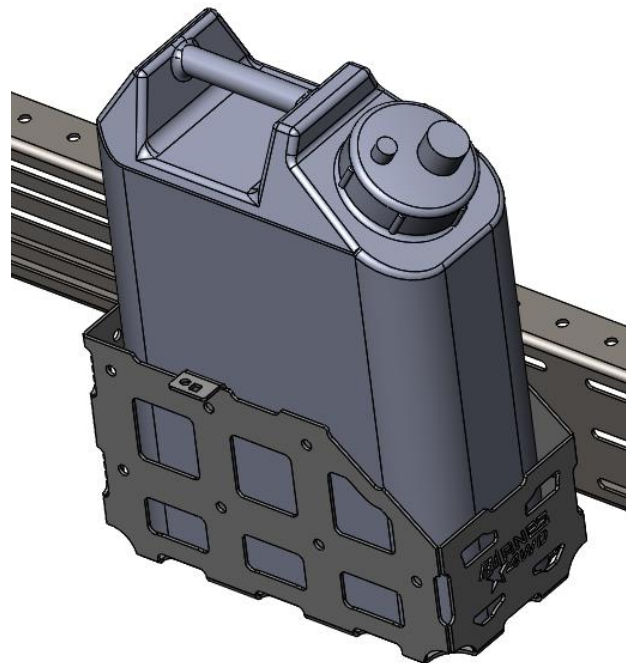
Step 1:

Install the Jerry can mount in the desired location with the provided hardware, tighten the hardware to 19 Ft-Lbs.



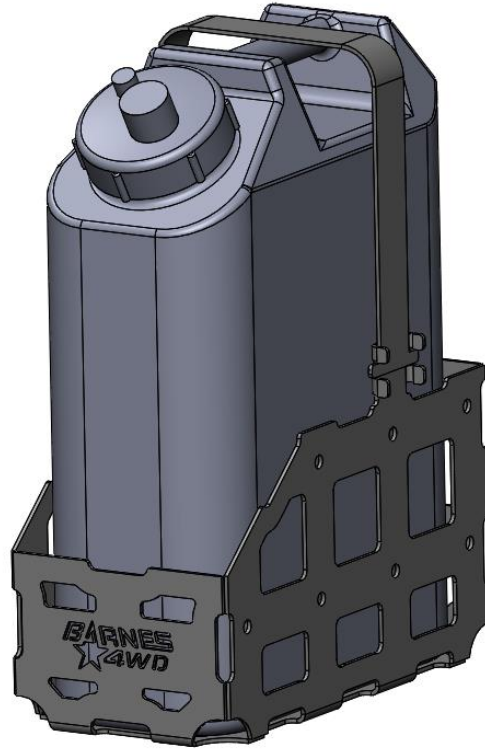
Step 2:

Install the Jerry can in the mount as shown below.



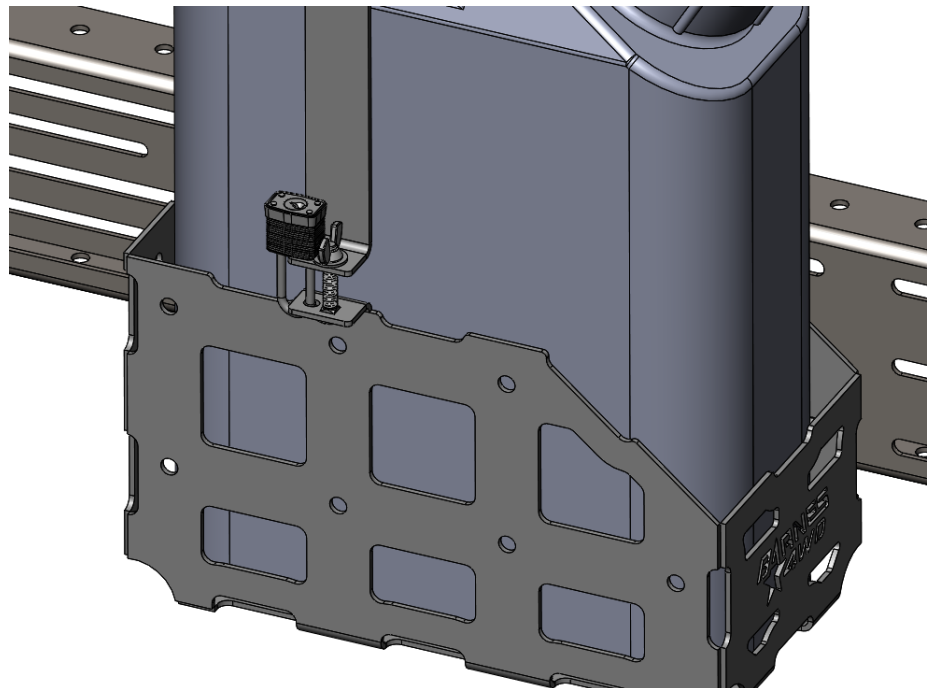
Step 3:

Install the strap over the Jerry can and hook into Jerry can mount.



Step 4:

Install the carriage bolt, washer, and wing nut, as shown below. A lock can be installed as shown below if desired.



Congratulations! You Have finished the installation of the Barnes4wd Single Jerry Can Mount

Professional Services Disclaimer:

The content of all pages of this website (collectively, the "Website"), such as text, graphics, images, information and other material (collectively, "Content") is for informational purposes only. Any information furnished on this Website is not intended nor implied to be automotive advice and is not intended to replace personal consultation with a qualified automotive service technician, mechanic, or similar automotive professional.

Barnes 4WD has not examined the Content for accuracy, timeliness, completeness, appropriateness, or helpfulness. Barnes 4WD does not endorse any specific tests, products, procedures, opinions, or other information that may be mentioned on this Website. Your reliance upon information and Content obtained by you at or through this Website is solely at your own risk. IN NO EVENT SHALL BARNES 4WD BE LIABLE OR OTHERWISE RESPONSIBLE FOR ANY DAMAGE OR INJURY (INCLUDING DEATH) TO YOU, OTHER PERSONS, OR PROPERTY ARISING FROM ANY USE OF ANY PRODUCT, INFORMATION, IDEA, OR INSTRUCTION CONTAINED IN THE CONTENT.

BARNES 4WD DOES NOT MAKE ANY REPRESENTATION OR WARRANTY, EXPRESS OR IMPLIED, AT LAW OR IN EQUITY, WITH RESPECT TO ANY PRODUCT FEATURED ON THE WEBSITE, INCLUDING WITHOUT LIMITATION WITH RESPECT TO MERCHANTABILITY, FITNESS FOR ANY PARTICULAR PURPOSE, VALUE, VALIDITY, OR ENFORCEABILITY, AND ANY AND ALL SUCH OTHER REPRESENTATIONS OR WARRANTIES ARE HEREBY EXPRESSLY DISCLAIMED.