



Barnes4wd Axis Bed Rack Side Panels Installation Instructions

Thank you for purchasing our Barnes4wd Axis Bed Rack Side Panels!

Installation Notes:

- **All Hardware is stainless steel to prevent corrosion. Hardware will need installed by hand with antiseize to prevent galling.**
- We recommend running the side panels if you are using the rack in its highest position.
- These instructions assume that the base rack and mounting brackets have been installed.
- Some of the hardware in the previous instructions may need to be loosened or removed during installation.
- While installing leave all hardware loose until the final step.
- Torque all 3/8" hardware to 19 Ft-Lbs.

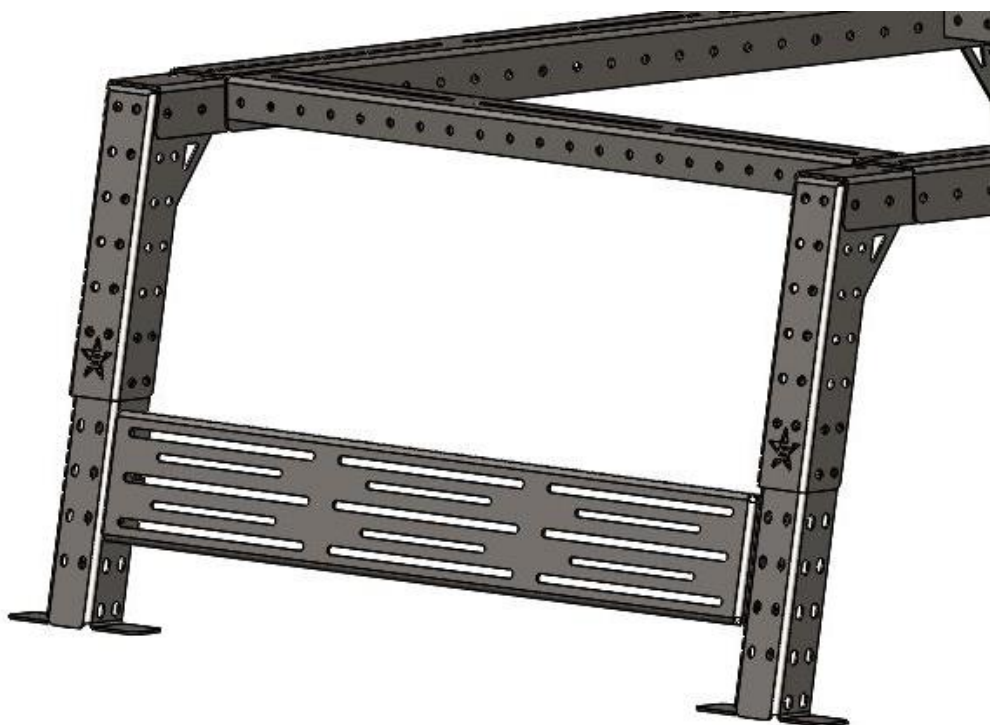
Tools required:

- 9/16" Wrench
- 7/32" Allen Socket
- 3/8" Driver Ratchet
- Antiseize

Bill of Materials for B4WK12624 Bed Rack 5' Side Panels Prepack		
QTY	Part Number	Description
2	B4W125032WP	Bed Rack 5' Side Bar Welded and Powder Coated
12	B4W125065P	Bed Rack Side Panel Spacer Powder Coated
12	37C100KBCS	3/8"-16 X 1" Button Head Cap Screw Stainless
12	37CNNES	3/8"-16 Stainless Nylock Nut
12	37NWUSS	3/8" USS Flat Washer Stainless

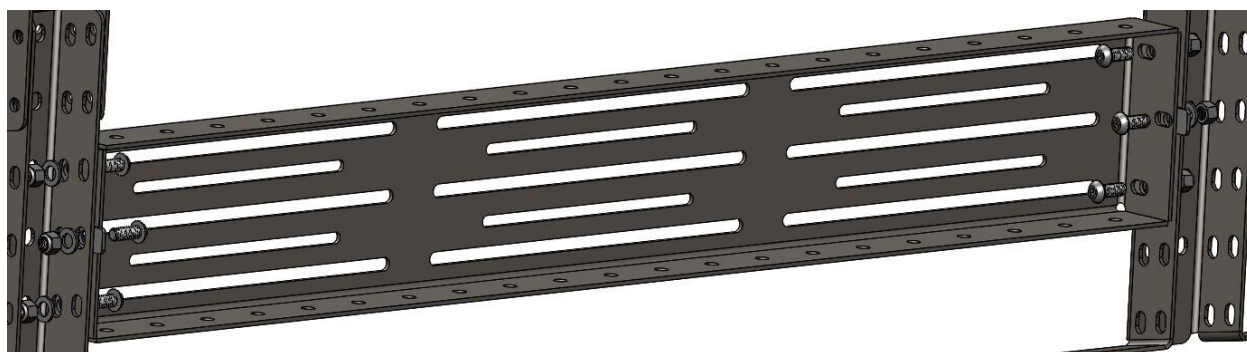
Step 1:

Slide the side panel in between the two uprights as shown below. The side panels will only line up with the holes in the uprights one way.



Step 2:

Install the supplied hardware as shown below. Depending on what height position the rack is in you may need to use the supplied spacers in between the side panel and the uprights while installing the hardware.



Step 3:

Repeat steps 1 and 2 on the opposite side of the bed and tighten all hardware to 19 Ft-Lbs.

Congratulations! You Have finished the installation of the Barnes4wd Axis Bed Rack Side Panels

Professional Services Disclaimer:

The content of all pages of this website (collectively, the "Website"), such as text, graphics, images, information and other material (collectively, "Content") is for informational purposes only. Any information furnished on this Website is not intended nor implied to be automotive advice and is not intended to replace personal consultation with a qualified automotive service technician, mechanic, or similar automotive professional.

Barnes 4WD has not examined the Content for accuracy, timeliness, completeness, appropriateness, or helpfulness. Barnes 4WD does not endorse any specific tests, products, procedures, opinions, or other information that may be mentioned on this Website. Your reliance upon information and Content obtained by you at or through this Website is solely at your own risk. IN NO EVENT SHALL BARNES 4WD BE LIABLE OR OTHERWISE RESPONSIBLE FOR ANY DAMAGE OR INJURY (INCLUDING DEATH) TO YOU, OTHER PERSONS, OR PROPERTY ARISING FROM ANY USE OF ANY PRODUCT, INFORMATION, IDEA, OR INSTRUCTION CONTAINED IN THE CONTENT.

BARNES 4WD DOES NOT MAKE ANY REPRESENTATION OR WARRANTY, EXPRESS OR IMPLIED, AT LAW OR IN EQUITY, WITH RESPECT TO ANY PRODUCT FEATURED ON THE WEBSITE, INCLUDING WITHOUT LIMITATION WITH RESPECT TO MERCHANTABILITY, FITNESS FOR ANY PARTICULAR PURPOSE, VALUE, VALIDITY, OR ENFORCEABILITY, AND ANY AND ALL SUCH OTHER REPRESENTATIONS OR WARRANTIES ARE HEREBY EXPRESSLY DISCLAIMED.