

Thank you for purchasing Barnes 4WD
JEEP TJ REAR FRAME COIL SPRING
BRACKETS

Installation Notes:

- This bracket is designed to replace the OEM TJ Rear Frame Coil Spring Brackets
- Installation of this product requires a trained welder
- Cutting off existing bracketry is required for installation
- Refer to your vehicle's factory service manual for removal of any factory components

Tools Required:

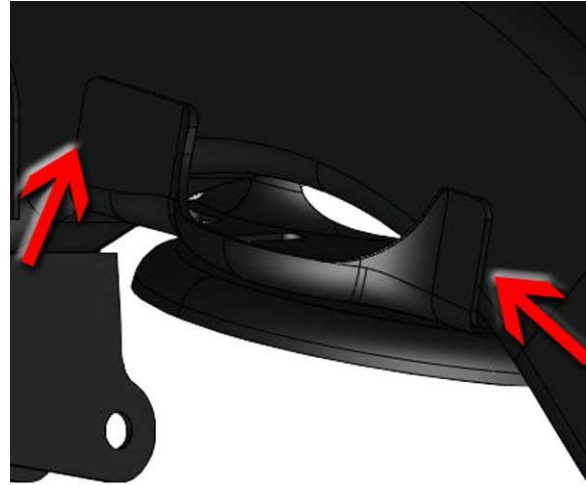
- Welding machine with the capability of welding at least 1/4" steel.
- Proper cutting tool (Grinder with cut off wheel, plasma cutter, cutting torch, etc.)
- Tape Measure
- Angle Finder

Step 1:

Measure the location of the OEM bracket on the frame. Make a note of these measurements the Barnes 4WD Jeep TJ Rear Frame Coil Spring Brackets will need to be located in the same location as the OEM Bracket.

Step 2:

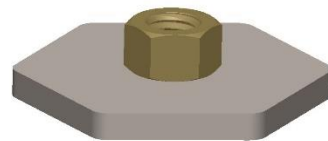
Using the proper cutting tool remove the OEM frame side rear coil spring brackets.



Step 3:

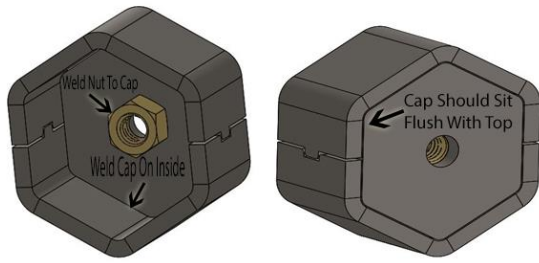
Assemble mount cap, and 3/8" Hex Nut

Weld 3/8" Hex Nut onto coil spring cap. Making sure that the 3/8" hex nut is centered with hole in mount cap.



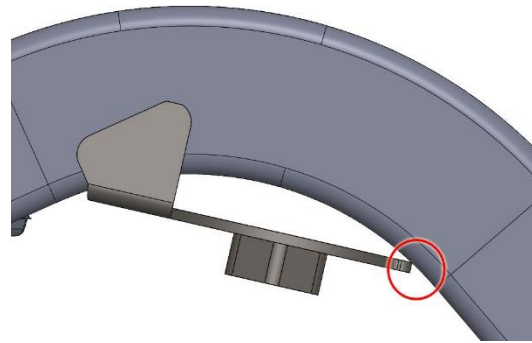
Step 4:

Weld Center Halves to Mount Cap and 3/8" hex nut assembly. Weld the Mount Cap to the Center Halves flush. Welding on the inside of the cap.



Step 5:

Weld the Center halves to the Coil Spring Bottom. Making sure Center halves are flush with Coil Spring Bottom. Weld the center halves around outside of Coil Spring Bottom.

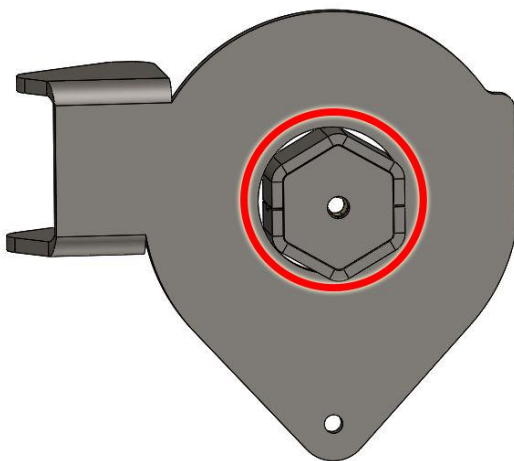


Step 7:

Once the Barnes 4WD bracket is in the same location as the OEM bracket tack weld it to the frame. Install the rear coil springs to verify location.

Step 8:

With the placement of the Barnes 4WD bracket satisfied. Remove the coil springs and fully weld the bracket to the frame



Step 6:

Using the measurements that you've noted from step 1. Locate the Barnes 4WD Jeep Rear Frame Coil Spring Bracket on the Frame. When located correctly the edge of the Barnes 4WD bracket will contact the frame.

Step 9:

Locate Coil Spring around Center halves and bolt coil spring retainer on the center halves.

Step 10:

Repeat the same steps for the other side of the Jeep.

Congratulations!

You have Completed Installation of your
Barnes 4WD JEEP TJ Rear Frame Coil Spring
Brackets

Professional Services Disclaimer:

The content of all pages of this website (collectively, the “Website”), such as text, graphics, images, information and other material (collectively, “Content”) is for informational purposes only. Any information furnished on this Website is not intended nor implied to be automotive advice and is not intended to replace personal consultation with a qualified automotive service technician, mechanic, or similar automotive professional.

Barnes 4WD has not examined the Content for accuracy, timeliness, completeness, appropriateness, or helpfulness. Barnes 4WD does not endorse any specific tests, products, procedures, opinions, or other information that may be mentioned on this Website. Your reliance upon information and Content obtained by you at or through this Website is solely at your own risk. IN NO EVENT SHALL BARNES 4WD BE LIABLE OR OTHERWISE RESPONSIBLE FOR ANY DAMAGE OR INJURY (INCLUDING DEATH) TO YOU, OTHER PERSONS, OR PROPERTY ARISING FROM ANY USE OF ANY PRODUCT, INFORMATION, IDEA, OR INSTRUCTION CONTAINED IN THE CONTENT.

BARNES 4WD DOES NOT MAKE ANY REPRESENTATION OR WARRANTY, EXPRESS OR IMPLIED, AT LAW OR IN EQUITY, WITH RESPECT TO ANY PRODUCT FEATURED ON THE WEBSITE, INCLUDING WITHOUT LIMITATION WITH RESPECT TO MERCHANTABILITY, FITNESS FOR ANY PARTICULAR PURPOSE, VALUE, VALIDITY, OR ENFORCEABILITY, AND ANY AND ALL SUCH OTHER REPRESENTATIONS OR WARRANTIES ARE HEREBY EXPRESSLY DISCLAIMED.

Part Included in Kit

