

Jeep TJ, LJ and YJ Pritchett Canyon Rear Bumper Installation Instructions

Thank you for purchasing Barnes 4WD Jeep TJ, LJ and YJ Pritchett Canyon Rear Bumper

Installation Notes:

- This bumper fits Jeep TJ 1997-2006, LJ 2004-2006 and Jeep YJ 1987-1996.
- Test fit bumper before painting or powder coating.
- Refer to the factory service manual for your vehicle for removal of any factory components.

Tools Required:

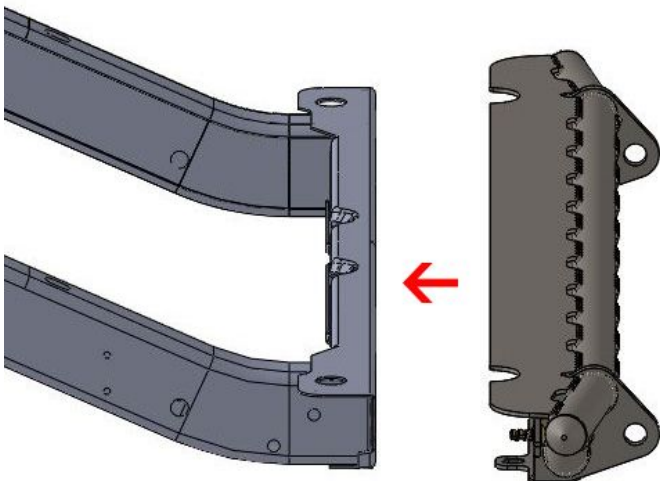
- 5/8" Wrench
- 5/8" Socket
- 3/8" Drive Ratchet

Step 1:

Park the Jeep on a level surface and remove the rear bumper.

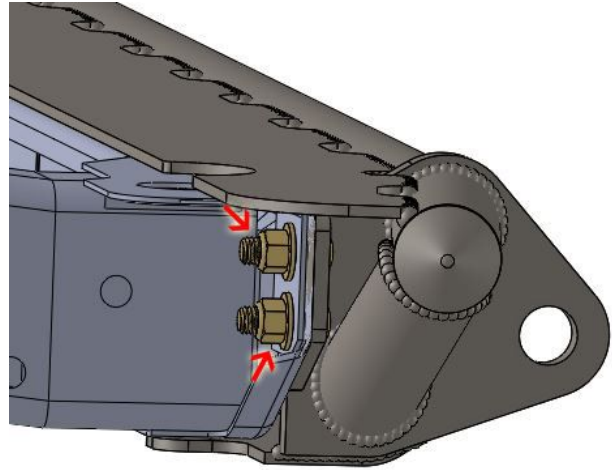
Step 2:

Install the Barnes4wd Rear Pritchett Canyon bumper as shown in the picture below.



Step 3:

Tighten the nuts shown in the picture below. The top nut will have to be tightened with a $\frac{5}{8}$ " wrench.



Congratulations! You have Completed Installation of your Barnes 4WD Jeep TJ, LJ and YJ Pritchett Canyon Rear Bumper

Professional Services Disclaimer:

The content of all pages of this website (collectively, the "Website"), such as text, graphics, images, information and other material (collectively, "Content") is for informational purposes only. Any information furnished on this Website is not intended nor implied to be automotive advice and is not intended to replace personal consultation with a qualified automotive service technician, mechanic, or similar automotive professional.

Barnes 4WD has not examined the Content for accuracy, timeliness, completeness, appropriateness, or helpfulness. Barnes 4WD does not endorse any specific tests, products, procedures, opinions, or other information that may be mentioned on this Website. Your reliance upon information and Content obtained by you at or through this Website is solely at your own risk. IN NO EVENT SHALL BARNES 4WD BE LIABLE OR OTHERWISE RESPONSIBLE FOR ANY DAMAGE OR INJURY (INCLUDING DEATH) TO YOU, OTHER PERSONS, OR PROPERTY ARISING FROM ANY USE OF ANY PRODUCT, INFORMATION, IDEA, OR INSTRUCTION CONTAINED IN THE CONTENT.

BARNES 4WD DOES NOT MAKE ANY REPRESENTATION OR WARRANTY, EXPRESS OR IMPLIED, AT LAW OR IN EQUITY, WITH RESPECT TO ANY PRODUCT FEATURED ON THE WEBSITE, INCLUDING WITHOUT LIMITATION WITH RESPECT TO MERCHANTABILITY, FITNESS FOR ANY PARTICULAR PURPOSE, VALUE, VALIDITY, OR ENFORCEABILITY, AND ANY AND ALL SUCH OTHER REPRESENTATIONS OR WARRANTIES ARE HEREBY EXPRESSLY DISCLAIMED.