

Jeep TJ, LJ and Stubby Front Bumper Installation Instructions

Thank you for purchasing Barnes 4WD Jeep TJ, LJ and YJ Pritchett Canyon Front Bumper

Installation Notes:

- This bumper fits Jeep TJ 1997-2006, LJ 2004-2006 and Jeep YJ 1987-1995.
- Test fit bumper before painting or powder coating.
- Refer to the factory service manual for your vehicle for removal of any factory components.

Tools Required:

- Various Hand Tools

Step 1:

Park the Jeep on a level surface and remove the front bumper and sway bar cover.

**If you have a TJ or LJ follow the next steps.
If you have a YJ or have removed the factory TJ sway bar skip to step 4**

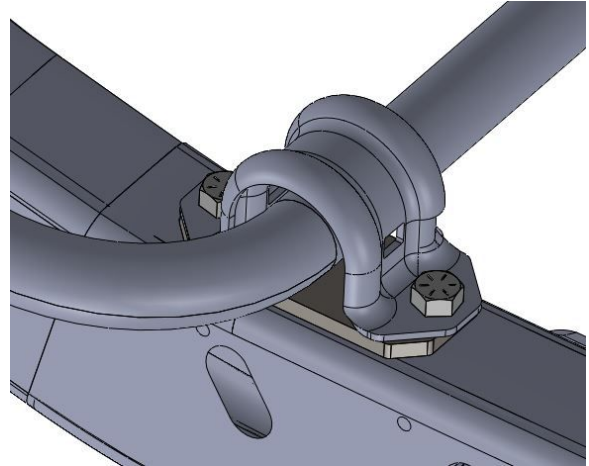
Step 2:

Remove the sway bar brackets on the top of the frame by removing the bolts shown in the picture below.



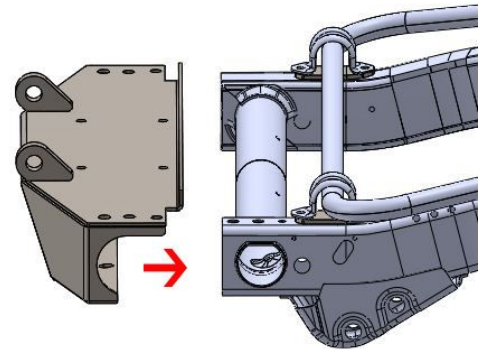
Step 3:

Once the Sway bar brackets are removed install the sway bar bracket spacers under the sway bar brackets and reinstall the brackets. The bend should go towards the rear of the jeep.



Step 4:

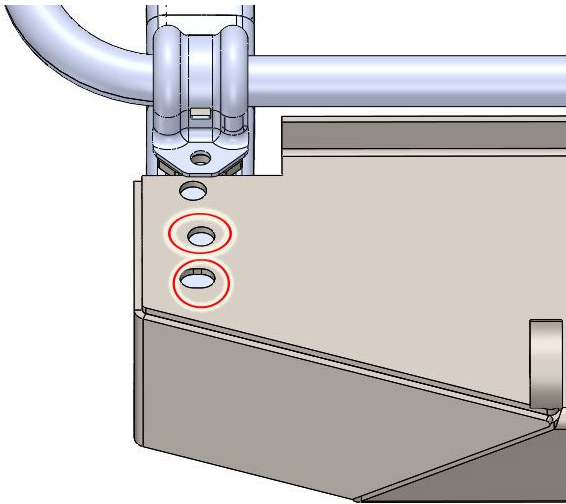
Install the Barnes4wd Front Pritchett Canyon bumper as shown in the picture below.



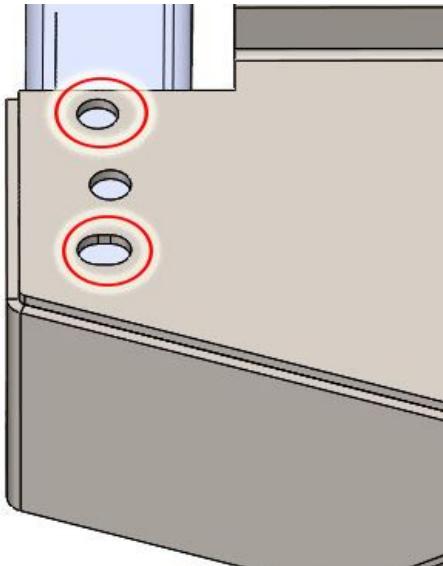
Step 5:

Reinstall the factory bolts into the bumper. If you have a TJ or LJ you will use the front two holes in the bumper. If you have a YJ you will use the front and rear holes in the bumper.

TJ Bolts

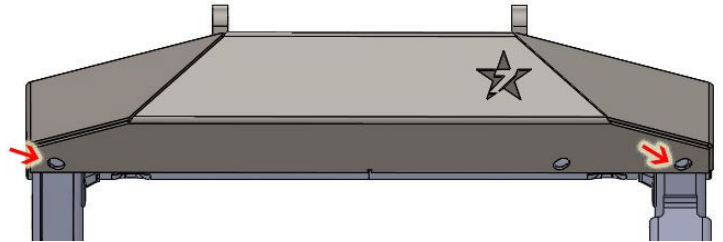


YJ Bolts



Step 6:

Reinstall the factory bolts into the bottom of the bumper.



Congratulations! You have Completed Installation of your Barnes 4WD Jeep TJ, LJ and YJ Stubby Front Bumper

Professional Services Disclaimer:

The content of all pages of this website (collectively, the "Website"), such as text, graphics, images, information and other material (collectively, "Content") is for informational purposes only. Any information furnished on this Website is not intended nor implied to be automotive advice and is not intended to replace personal consultation with a qualified automotive service technician, mechanic, or similar automotive professional.

Barnes 4WD has not examined the Content for accuracy, timeliness, completeness, appropriateness, or helpfulness. Barnes 4WD does not endorse any specific tests, products, procedures, opinions, or other information that may be mentioned on this Website. Your reliance upon information and Content obtained by you at or through this Website is solely at your own risk. IN NO EVENT SHALL BARNES 4WD BE LIABLE OR OTHERWISE RESPONSIBLE FOR ANY DAMAGE OR INJURY (INCLUDING DEATH) TO YOU, OTHER PERSONS, OR PROPERTY ARISING FROM ANY USE OF ANY PRODUCT, INFORMATION, IDEA, OR INSTRUCTION CONTAINED IN THE CONTENT.

BARNES 4WD DOES NOT MAKE ANY REPRESENTATION OR WARRANTY, EXPRESS OR IMPLIED, AT LAW OR IN EQUITY, WITH RESPECT TO ANY PRODUCT FEATURED ON THE WEBSITE, INCLUDING WITHOUT LIMITATION WITH RESPECT TO MERCHANTABILITY, FITNESS FOR ANY PARTICULAR PURPOSE, VALUE, VALIDITY, OR ENFORCEABILITY, AND ANY AND ALL SUCH OTHER REPRESENTATIONS OR WARRANTIES ARE HEREBY EXPRESSLY DISCLAIMED.