

JEEP TJ/LJ/XJ/MJ/ZJ Front Lifted Track Bar Mount

Thank you for purchasing Barnes 4WD Jeep TJ/LJ/XJ/MJ/ZJ Front Lifted Track Bar Mount

Installation Notes:

- Cutting off the factory steering stabilizer bracket is required for installation.
- This bracket will not work with the factory track bar or steering.
- This bracket will fit all TJ/LJ/XJ/MJ/ZJ with Dana 30 or Dana 44.

Tools Required:

- Welding machine with the capability of welding at least ¼" steel.
- Proper cutting tool (Grinder with cut off wheel, plasma cutter, cutting torch, etc.)
- Tape Measure

Step 1:

Park the Jeep on a level surface and remove the trackbar and steering stabilizer.

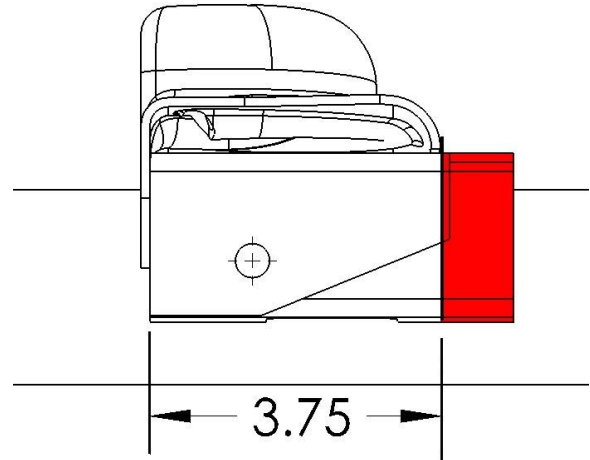
Step 2:

Remove the steering stabilizer bracket by cutting in the locations shown below.



Step 3:

Trim off part of the factory track bar bracket as shown in the picture below. The cut should be 3.75" from the end of the bracket making it flush with the coil spring bucket.

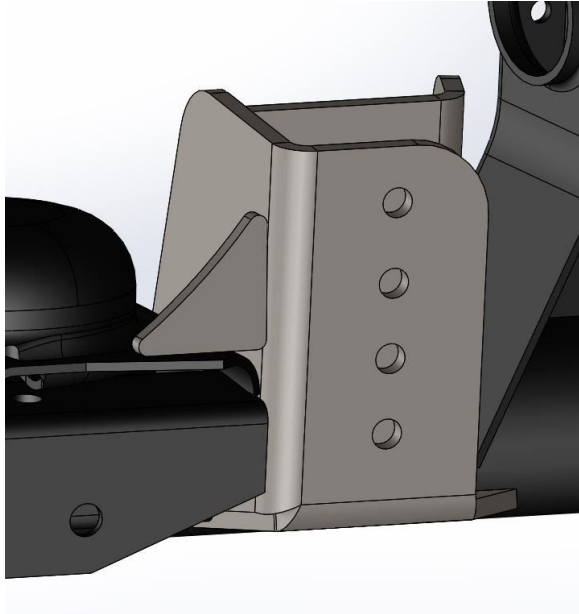


Step 4:

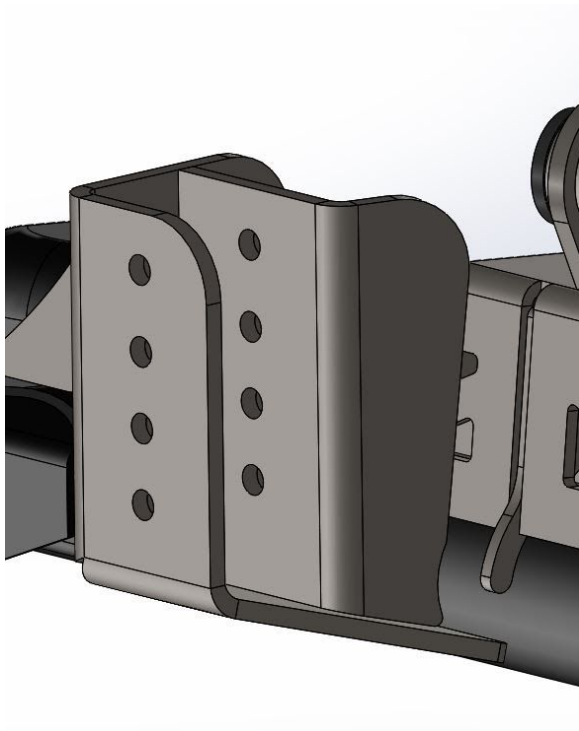
Tack the two halves of the Lifted trackbar bracket together and place it on the axle. It should butt up against the Coil Spring bucket.



Step 5:
Weld the new track bar mount into place with the provided gusset.



Step 6:
If you have a Barnes 4WD axle truss Weld the track bar bracket too the axle truss at this time as shown below.



**Congratulations! You have Completed
Installation of your Barnes 4WD JEEP
TJ/LJ/XJ/MJ/ZJ Front Lifted Track Bar Mount.**

Professional Services Disclaimer:

The content of all pages of this website (collectively, the "Website"), such as text, graphics, images, information and other material (collectively, "Content") is for informational purposes only. Any information furnished on this Website is not intended nor implied to be automotive advice and is not intended to replace personal consultation with a qualified automotive service technician, mechanic, or similar automotive professional.

Barnes 4WD has not examined the Content for accuracy, timeliness, completeness, appropriateness, or helpfulness. Barnes 4WD does not endorse any specific tests, products, procedures, opinions, or other information that may be mentioned on this Website. Your reliance upon information and Content obtained by you at or through this Website is solely at your own risk. IN NO EVENT SHALL BARNES 4WD BE LIABLE OR OTHERWISE RESPONSIBLE FOR ANY DAMAGE OR INJURY (INCLUDING DEATH) TO YOU, OTHER PERSONS, OR PROPERTY ARISING FROM ANY USE OF ANY PRODUCT, INFORMATION, IDEA, OR INSTRUCTION CONTAINED IN THE CONTENT.

BARNES 4WD DOES NOT MAKE ANY REPRESENTATION OR WARRANTY, EXPRESS OR IMPLIED, AT LAW OR IN EQUITY, WITH RESPECT TO ANY PRODUCT FEATURED ON THE WEBSITE, INCLUDING WITHOUT LIMITATION WITH RESPECT TO MERCHANTABILITY, FITNESS FOR ANY PARTICULAR PURPOSE, VALUE, VALIDITY, OR ENFORCEABILITY, AND ANY AND ALL SUCH OTHER REPRESENTATIONS OR WARRANTIES ARE HEREBY EXPRESSLY DISCLAIMED.