

JEEP TJ 4.0L 6 Cylinder Engine Skid

Thank you for purchasing Barnes 4WD
Jeep TJ 6 Cylinder Engine Skid

Installation Notes:

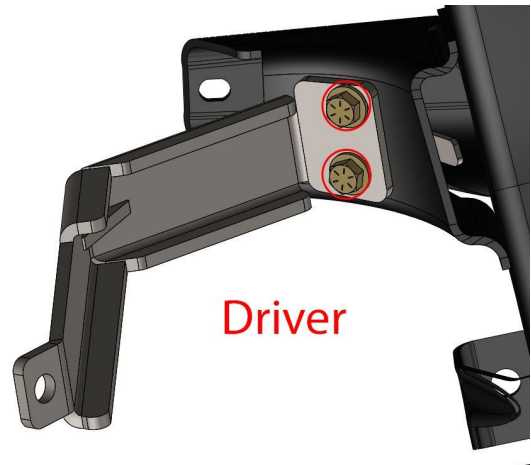
- This skid is designed to be use with our Jeep TJ bolt on skid plate
Part #B4WK12298
- This skid is designed to fit a jeep with a 4.0 Inline 6 Cylinder engine.
- Before installation of the engine skid Barnes4wd TJ bolt on skid plate needs to be installed.
- Fits 1997-2006 Jeep TJ or 2004-2006 Jeep LJ with 4.0L 6 Cylinder
- Skid should be test fit before painting or powder coating.

Tools Required:

- Various hand tools

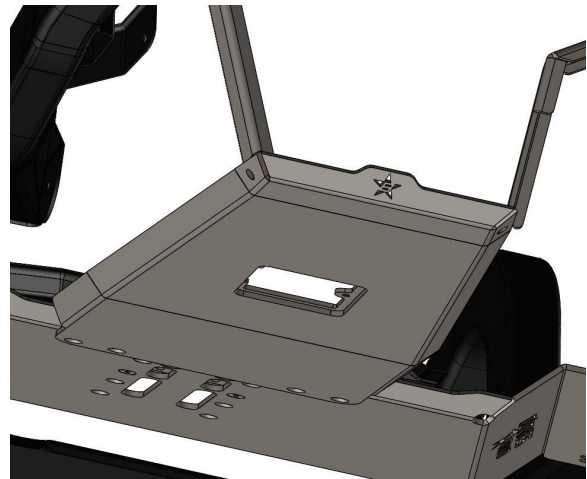
Step 1:

Park the Jeep on a level surface and install the engine skid brackets as shown in the pictures below. Leave the hardware loose until the final step. Each Bracket uses a flag nut 2 hex head bolts and washers.



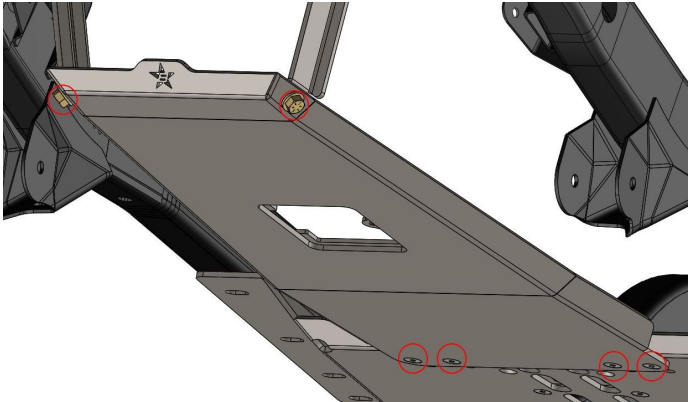
Step 2:

Using a floor jack install the engine skid under the jeep as shown in the picture below. If you have a 1997-2002 you need to use the four holes closest to the rear of the jeep. If you have a 2003-2006 you need to use the four holes closest to the front of the jeep.



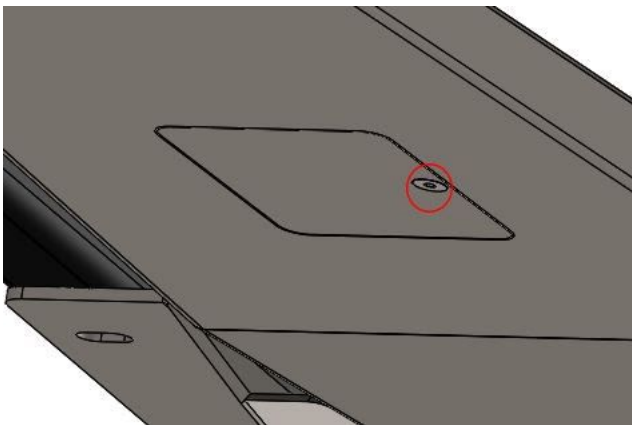
Step 3:

Install the supplied hardware into the following locations as shown below. Each bracket uses one hex head bolt and nut with two washers. You will use the 4 flat head bolts and nuts at the transmission skid



Step 4:

Install the oil change door on the engine skid with the supplied hardware as shown in the picture below. Uses the flat head bolt



Step 5:

Tighten all the bolts that were installed in the previous steps. Cycle the suspension to check for clearances.

Congratulations! You have Completed Installation of your Barnes 4WD JEEP TJ 6 Cylinder Engine Skid.

Professional Services Disclaimer:

The content of all pages of this website (collectively, the "Website"), such as text, graphics, images, information and other material (collectively, "Content") is for informational purposes only. Any information furnished on this Website is not intended nor implied to be automotive advice and is not intended to replace personal consultation with a qualified automotive service technician, mechanic, or similar automotive professional.

Barnes 4WD has not examined the Content for accuracy, timeliness, completeness, appropriateness, or helpfulness. Barnes 4WD does not endorse any specific tests, products, procedures, opinions, or other information that may be mentioned on this Website. Your reliance upon information and Content obtained by you at or through this Website is solely at your own risk. IN NO EVENT SHALL BARNES 4WD BE LIABLE OR OTHERWISE RESPONSIBLE FOR ANY DAMAGE OR INJURY (INCLUDING DEATH) TO YOU, OTHER PERSONS, OR PROPERTY ARISING FROM ANY USE OF ANY PRODUCT, INFORMATION, IDEA, OR INSTRUCTION CONTAINED IN THE CONTENT.

BARNES 4WD DOES NOT MAKE ANY REPRESENTATION OR WARRANTY, EXPRESS OR IMPLIED, AT LAW OR IN EQUITY, WITH RESPECT TO ANY PRODUCT FEATURED ON THE WEBSITE, INCLUDING WITHOUT LIMITATION WITH RESPECT TO MERCHANTABILITY, FITNESS FOR ANY PARTICULAR PURPOSE, VALUE, VALIDITY, OR ENFORCEABILITY, AND ANY AND ALL SUCH OTHER REPRESENTATIONS OR WARRANTIES ARE HEREBY EXPRESSLY DISCLAIMED.