



Jeep JL Rear Frame Trackbar Bracket Installation Instructions

Thank you for purchasing our Jeep JL Rear Frame Trackbar Bracket!

Installation Notes:

- This bracket is designed to replace the OEM JL Rear Frame Trackbar Bracket.
- This bracket fits 2018-Current Jeep Wrangler JL
- Installation of this product requires a trained welder.
- Cutting off existing bracketry is required for installation.
- Refer to your vehicle's factory service manual for removal of any factory components.

Tools required:

- Welding machine with the capability of welding at least ¼" steel.
- Proper cutting tool (Grinder with cut off wheel, plasma cutter, cutting torch, etc.)
- Tape Measure

Bill of Materials			
QTY	Part Number	Etch Number	Description
1	B4W250830	830 B	JL Rear Frame Track Bar Bracket
1	B4W250831	831 B	JL Rear Frame Track Bar Bracket Cap

Step 1:

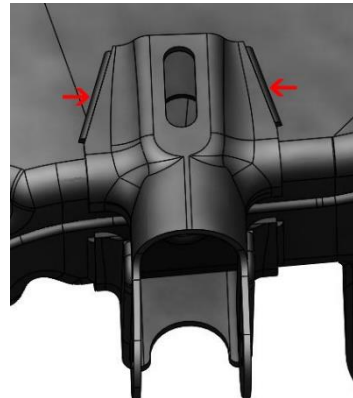
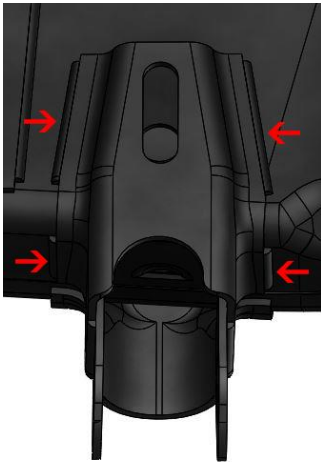
Park the Jeep on a level surface and remove the rear trackbar.

Step 2:

Measure the location of the OEM brackets on the frame. Make a note of these measurements the Barnes 4WD Jeep JL Rear frame trackbar bracket will need to be in the same location as the OEM bracket.

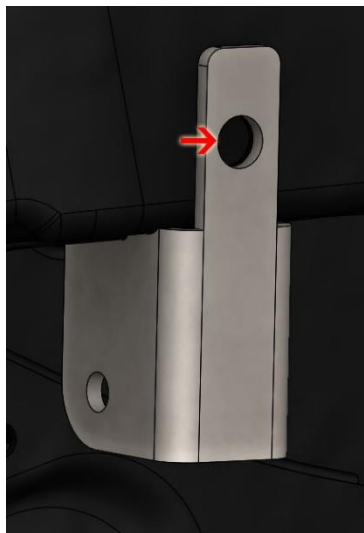
Step 3:

Using the proper cutting tool remove the OEM Rear Frame Trackbar Bracket by cutting in the locations shown below.



Step 4:

Place the new Barnes4wd trackbar bracket on the frame in the location as the old trackbar bracket. The hole in the bracket should line up with the hole in the frame. Tack the Bracket into place.



Step 5:

Place the track bar gusset over the track bar bracket. The hole in the bracket should line up with the hole in the frame. Tack the gusset into place.



Step 6:

Test fit the trackbar into the new bracket. Cycle the suspension to check for clearance issues.

Step 7:

Remove the trackbar and fully weld the bracket to the frame.

Congratulations! You have Completed Installation of your Barnes 4wd Jeep JL Rear Frame Trackbar Bracket.

Professional Services Disclaimer:

The content of all pages of this website (collectively, the "Website"), such as text, graphics, images, information and other material (collectively, "Content") is for informational purposes only. Any information furnished on this Website is not intended nor implied to be automotive advice and is not intended to replace personal consultation with a qualified automotive service technician, mechanic, or similar automotive professional.

Barnes 4WD has not examined the Content for accuracy, timeliness, completeness, appropriateness, or helpfulness. Barnes 4WD does not endorse any specific tests, products, procedures, opinions, or other information that may be mentioned on this Website. Your reliance upon information and Content obtained by you at or through this Website is solely at your own risk. IN NO EVENT SHALL BARNES 4WD BE LIABLE OR OTHERWISE RESPONSIBLE FOR ANY DAMAGE OR INJURY (INCLUDING DEATH) TO YOU, OTHER PERSONS, OR PROPERTY ARISING FROM ANY USE OF ANY PRODUCT, INFORMATION, IDEA, OR INSTRUCTION CONTAINED IN THE CONTENT.

BARNES 4WD DOES NOT MAKE ANY REPRESENTATION OR WARRANTY, EXPRESS OR IMPLIED, AT LAW OR IN EQUITY, WITH RESPECT TO ANY PRODUCT FEATURED ON THE WEBSITE, INCLUDING WITHOUT LIMITATION WITH RESPECT TO MERCHANTABILITY, FITNESS FOR ANY PARTICULAR PURPOSE, VALUE, VALIDITY, OR ENFORCEABILITY, AND ANY AND ALL SUCH OTHER REPRESENTATIONS OR WARRANTIES ARE HEREBY EXPRESSLY DISCLAIMED.