



Jeep JL 3.6L Transfercase Skid Plate Installation Instructions

Thank you for purchasing our Jeep JL 3.6L Transfercase Skid Plate!

Installation Notes:

- This product is compatible with 2018-Current Jeep Wrangler JL 4 door with a 3.6L engine.
- This skid plate is compatible with our other Barnes 4wd JL skid plates but may not work with other brands of aftermarket skids.
- Refer to a factory service manual for the removal of any factory components.
- If installing the complete skid kit install this kit first
- Leave all hardware loose until the final step

Tools required:

- 18MM socket
- 13MM socket
- ¾" Socket
- 18MM Combination wrench
- ¾" Combination wrench
- Ratchet
- 4" Extension
- Jack

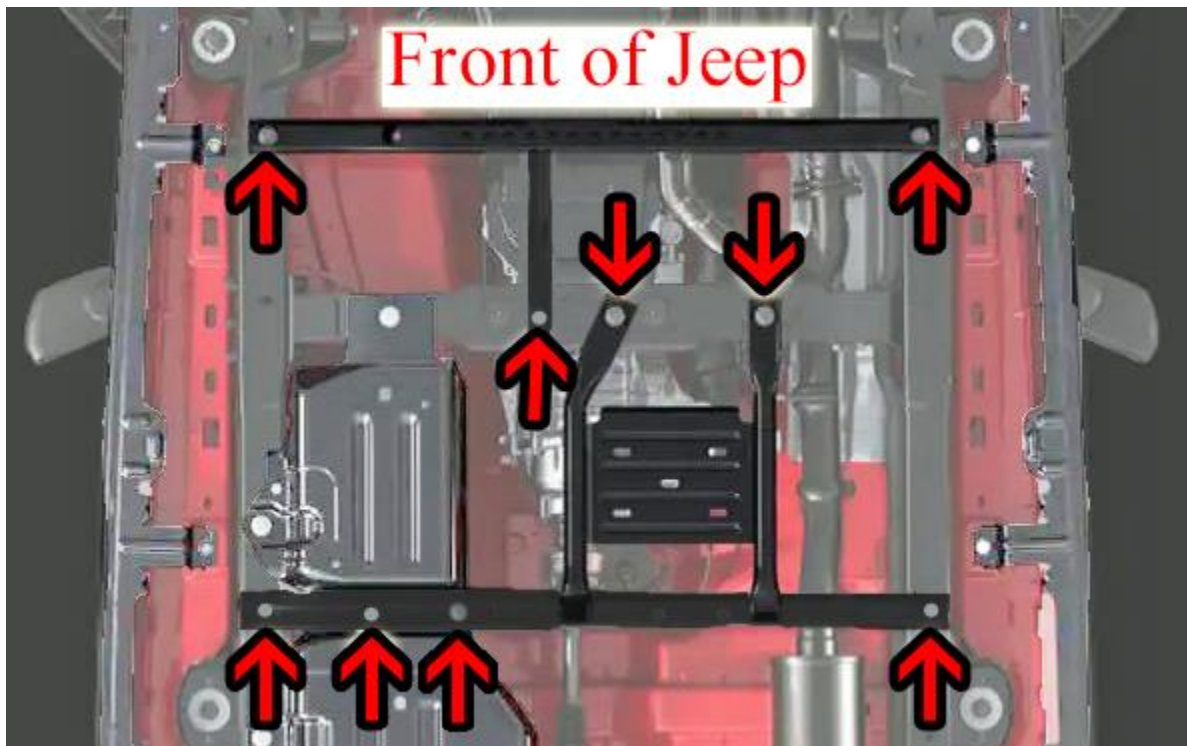
Contents of box

Bill Of Materials for B4WK12651 JT/JL Transfercase Skid Prepack			
QTY	Part Number	Etch Number	Description
1	B4W250860W	860	JL/JT Transfercase Skid Welded
2	B4WK12650	NA	JL/JT Crossmember Flag Nut Weldment
4	B4WBHP98	NA	1/2" 9/16" Bolt Head Protector
2	50NWSAFY	NA	1/2" SAE Flat Washer Yellow Zinc
1	50CNNEOY/GC	NA	1/2"-13 Nylon Lock Nut
1	50C150HCS8Y	NA	1/2"-13 X 1-1/2" Hex Head Bolt Yellow
1	.120F400HCSIP/961	NA	M12-1.5X40 Hex Bolt

Bill Of Materials for B4W250861W JL Fuel Tank Crossmember			
QTY	Part Number	Etch Number	Description
1	B4W250861W	861	JL Fuel Tank Crossmember welded

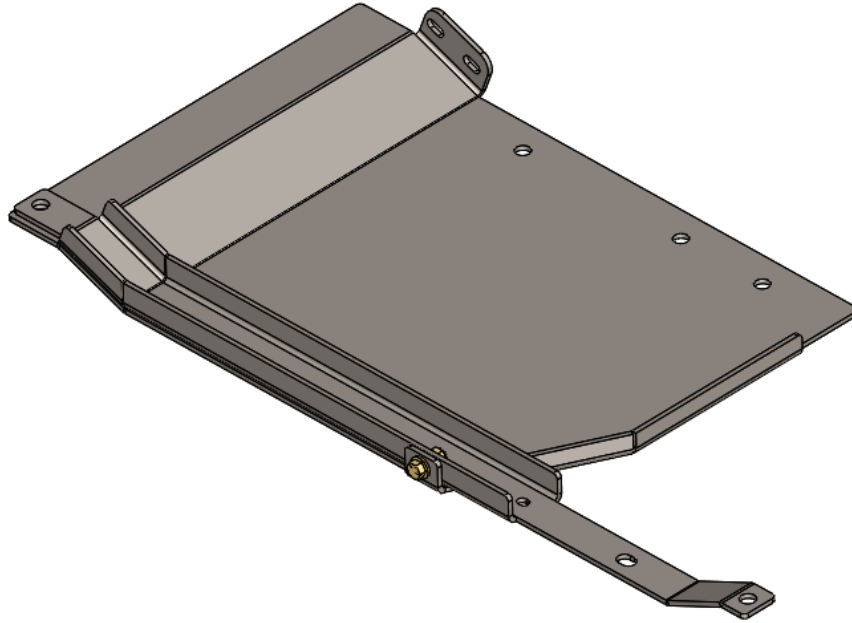
Step 1:

Remove the factory transfer case skid plate and the transmission pan skid plate if equipped retain hardware.



Step 2:

Install the crossmember onto the transercase skid with the ½' hardware.



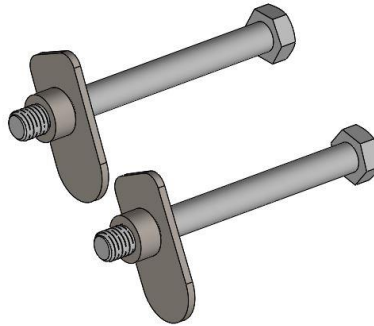
Step 3:

Place a jack under the crossmember, remove the 2 long bolts that attach the cross-member to the frame, move the jack up or down to relieve tension on the bolts to make them easier to remove.



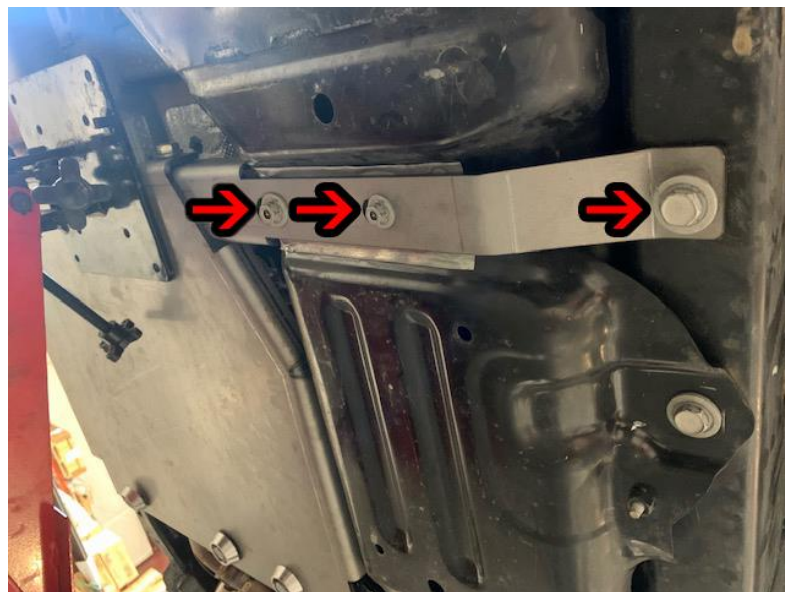
Step 4:

Remove the jack and install the transercase skid and crossmember reinstall the 2 long bolts removed in the last step. The bolts should be installed with the head of the bolt facing the front of the vehicle. The bolts will no longer use the factory nuts you will need to use the supplied flag nuts.



Step 5:

Reinstall the factory hardware with supplied bolt head protectors into the crossmember, fuel tank, and frame. If your jeep has a manual transmission you will need to use the supplied 12mm bolt.



Step 6:

Tighten all hardware.

Congratulations! You Have finished the installation of the Barnes4wd Jeep JL 3.6L Transference Skid Plate

Professional Services Disclaimer:

The content of all pages of this website (collectively, the "Website"), such as text, graphics, images, information, and other material (collectively, "Content") is for informational purposes only. Any information furnished on this Website is not intended nor implied to be automotive advice and is not intended to replace personal consultation with a qualified automotive service technician, mechanic, or similar automotive professional.

Barnes 4WD has not examined the Content for accuracy, timeliness, completeness, appropriateness, or helpfulness. Barnes 4WD does not endorse any specific tests, products, procedures, opinions, or other information that may be mentioned on this Website. Your reliance upon information and Content obtained by you at or through this Website is solely at your own risk. IN NO EVENT SHALL BARNES 4WD BE LIABLE OR OTHERWISE RESPONSIBLE FOR ANY DAMAGE OR INJURY (INCLUDING DEATH) TO YOU, OTHER PERSONS, OR PROPERTY ARISING FROM ANY USE OF ANY PRODUCT, INFORMATION, IDEA, OR INSTRUCTION CONTAINED IN THE CONTENT.

BARNES 4WD DOES NOT MAKE ANY REPRESENTATION OR WARRANTY, EXPRESS OR IMPLIED, AT LAW OR IN EQUITY, WITH RESPECT TO ANY PRODUCT FEATURED ON THE WEBSITE, INCLUDING WITHOUT LIMITATION WITH RESPECT TO MERCHANTABILITY, FITNESS FOR ANY PARTICULAR PURPOSE, VALUE, VALIDITY, OR ENFORCEABILITY, AND ANY AND ALL SUCH OTHER REPRESENTATIONS OR WARRANTIES ARE HEREBY EXPRESSLY DISCLAIMED.



Jeep JL 3.6L Gas Tank Skid Plate Installation Instructions

Thank you for purchasing our Jeep JL 3.6L Gas Tank Skid Plate!

Installation Notes:

- This product is compatible with 2018-Current Jeep Wrangler JL 4 door with a 3.6L engine.
- This skid plate is compatible with our other Barnes 4wd JL skid plates but may not work with other brands of aftermarket skids.
- Refer to a factory service manual for the removal of any factory components.
- If installing the complete skid kit install this kit after the transercase skid
- Leave all hardware loose until the final step

Tools required:

- 18MM socket
- 13MM socket
- 16MM socket
- ¾" Socket
- ¾" Combination wrench
- Ratchet
- 4" Extension
- Jack

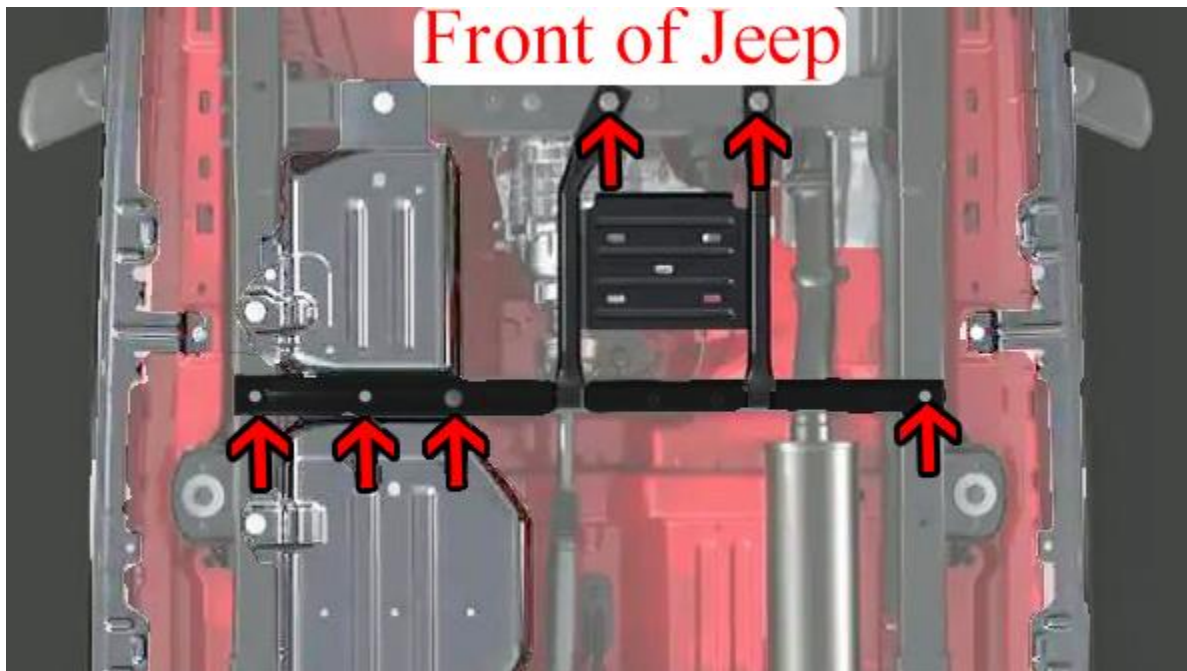
Contents of box

Bill Of Materials for B4WK12840 JL Fuel Tank Skid Prepack			
QTY	Part Number	Etch Number	Description
1	B4WK12836	NA	JL Fuel Tank Skid Weldment
1	B4WK12837W	NA	JL Fuel Tank Skid Rear Bracket Control Arm Welded
1	B4WK12838W	NA	JL Fuel Tank Skid Rear Bracket Press Nut Welded
1	B4WK12839W	NA	JL Fuel Tanks Skid Middle Bracket Press Nut Welded
1	B4WBHP98	NA	1/2" 9/16" Bolt Head Protector
3	50NWSAFY	NA	1/2" SAE Flat Washer Yellow Zinc
3	50CNNEOY/GC	NA	1/2"-13 Nylon Lock Nut
3	50C100HCS8Y	NA	1/2-13 X 1 Hex Cap Screw Gr 8 Yellow Zinc

Bill Of Materials for B4W250866W JT Fuel Tank Crossmember			
QTY	Part Number	Etch Number	Description
1	B4W250861W	861	JL Fuel Tank Crossmember welded

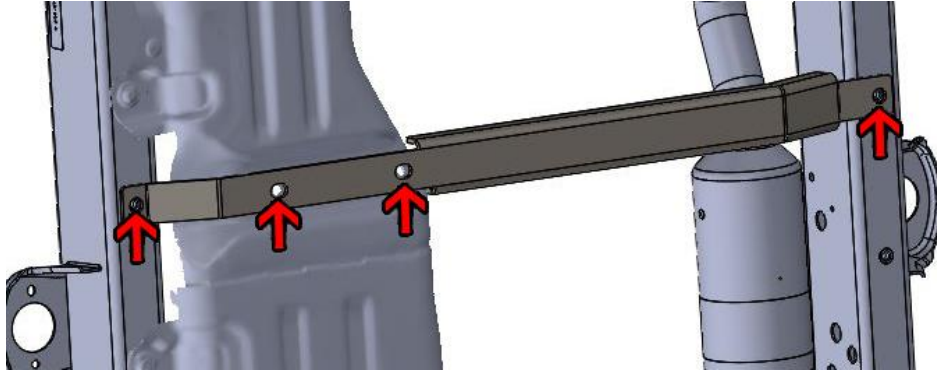
Step 1:

Remove the factory transfer case skid plate if equipped retain hardware.



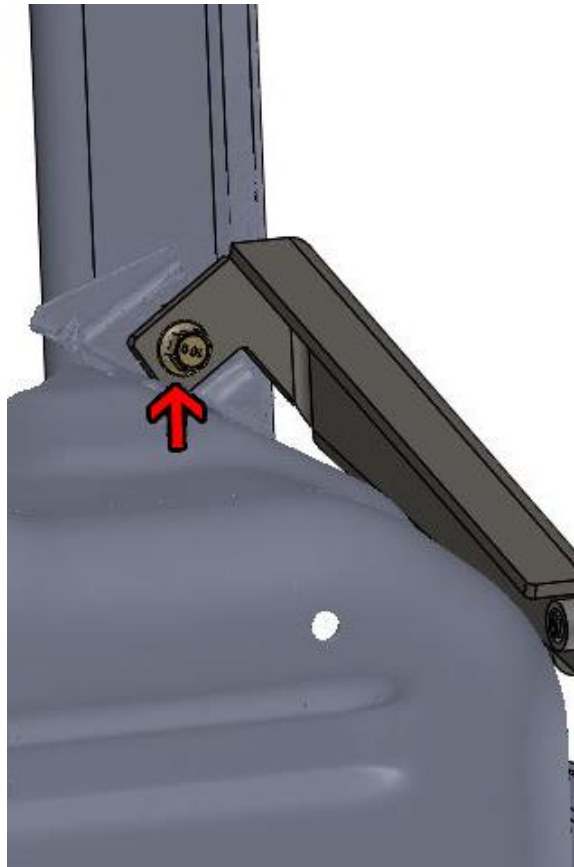
Step 2:

Install the crossmember onto the frame and fuel tank with the factory hardware.



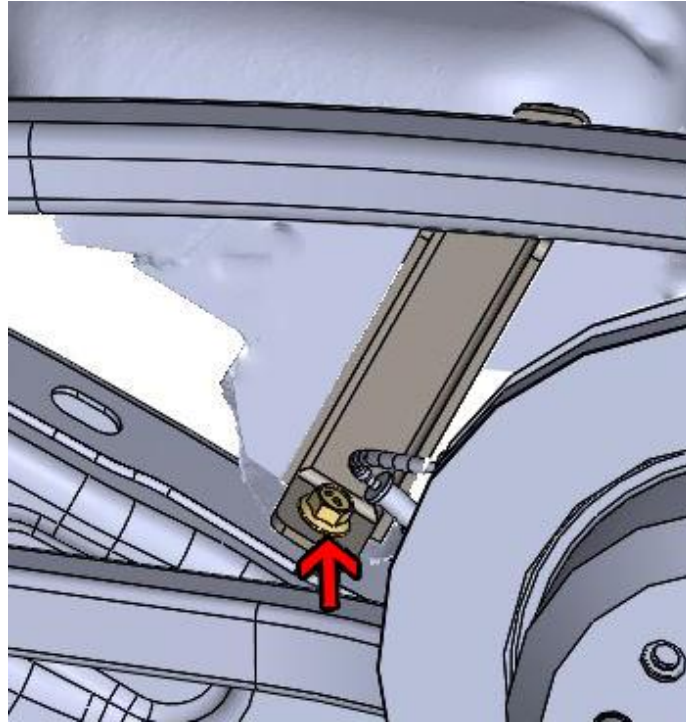
Step 3:

Remove the factory bolt at the rear of the fuel tank and install the rear bracket with the factory bolt as shown below.



Step 4:

Remove the factory bolt at the rear of the fuel tank above the lower control arm, and install the rear bracket with the factory bolt as shown below.



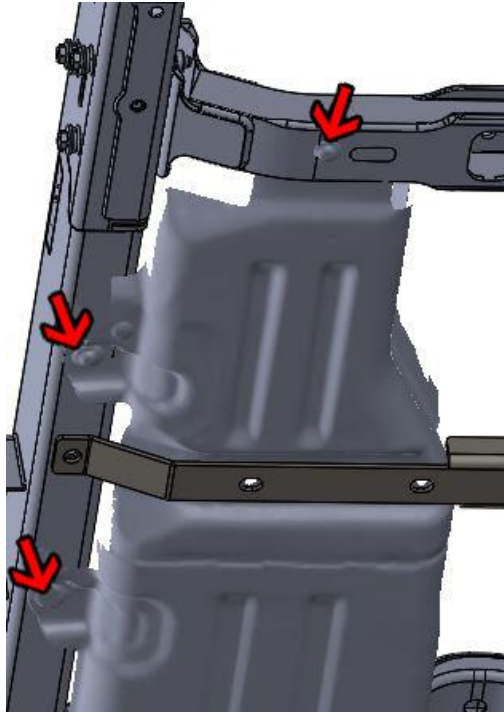
Step 5:

Remove the factory bolt at the center of the fuel tank, and install the center bracket with the factory bolt as shown below.



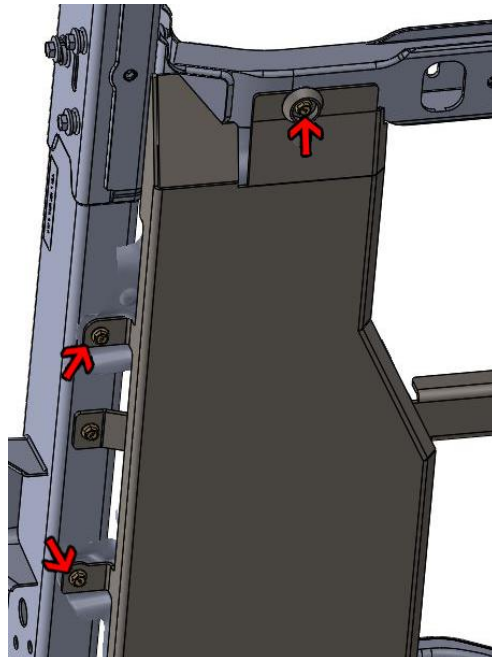
Step 6:

Remove the 3 factory fuel tank bolts along the frame and at the crossmember as shown below.



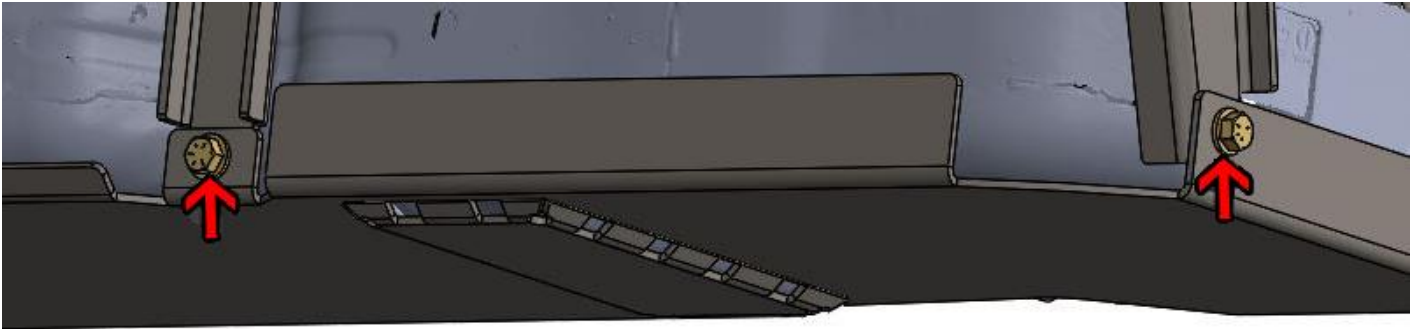
Step 7:

Jack the fuel tank skid into place and install the factory hardware in the frame and crossmember. The crossmember bolt will be installed with the bolt head protector.



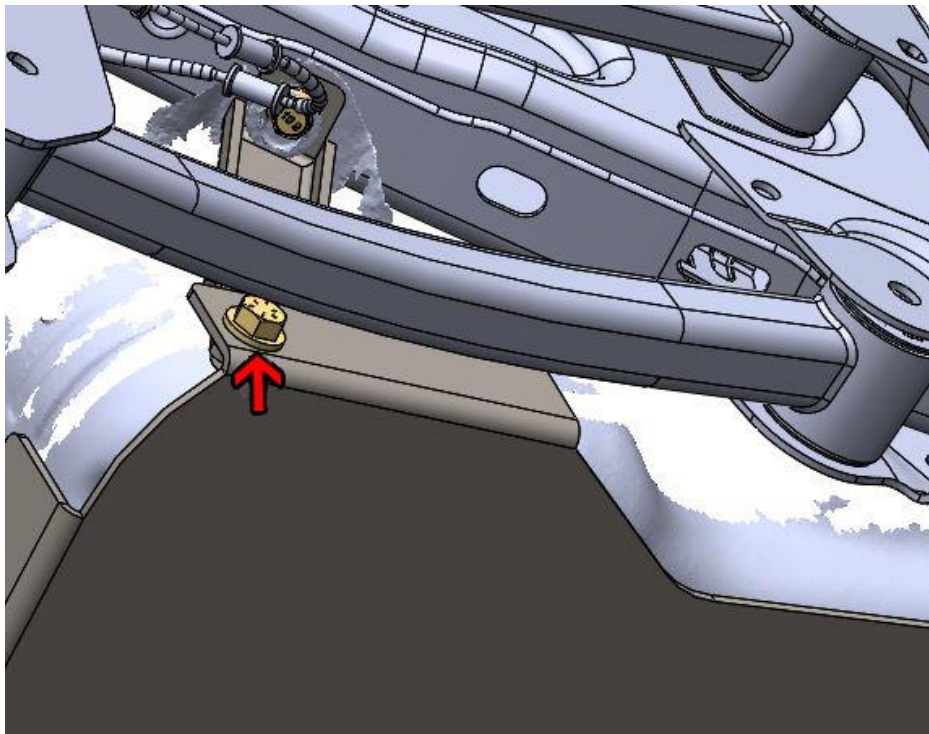
Step 8:

Install the ½" bolts and washers into the middle mounting bracket and rear mounting bracket.



Step 9:

Install the remaining ½" bolt and washer in the mounting bracket installed in step 4. Depending on lift height the suspension may have to be fully drooped to install this bolt.



Step 10:

Tighten all hardware.

Congratulations! You Have finished the installation of the Barnes4wd Jeep JL 3.6L Gas Tank Skid Plate

Professional Services Disclaimer:

The content of all pages of this website (collectively, the "Website"), such as text, graphics, images, information, and other material (collectively, "Content") is for informational purposes only. Any information furnished on this Website is not intended nor implied to be automotive advice and is not intended to replace personal consultation with a qualified automotive service technician, mechanic, or similar automotive professional.

Barnes 4WD has not examined the Content for accuracy, timeliness, completeness, appropriateness, or helpfulness. Barnes 4WD does not endorse any specific tests, products, procedures, opinions, or other information that may be mentioned on this Website. Your reliance upon information and Content obtained by you at or through this Website is solely at your own risk. IN NO EVENT SHALL BARNES 4WD BE LIABLE OR OTHERWISE RESPONSIBLE FOR ANY DAMAGE OR INJURY (INCLUDING DEATH) TO YOU, OTHER PERSONS, OR PROPERTY ARISING FROM ANY USE OF ANY PRODUCT, INFORMATION, IDEA, OR INSTRUCTION CONTAINED IN THE CONTENT.

BARNES 4WD DOES NOT MAKE ANY REPRESENTATION OR WARRANTY, EXPRESS OR IMPLIED, AT LAW OR IN EQUITY, WITH RESPECT TO ANY PRODUCT FEATURED ON THE WEBSITE, INCLUDING WITHOUT LIMITATION WITH RESPECT TO MERCHANTABILITY, FITNESS FOR ANY PARTICULAR PURPOSE, VALUE, VALIDITY, OR ENFORCEABILITY, AND ANY AND ALL SUCH OTHER REPRESENTATIONS OR WARRANTIES ARE HEREBY EXPRESSLY DISCLAIMED.



Jeep JL 3.6L Resonator Skid Plate Installation Instructions

Thank you for purchasing our Jeep JL 3.6L Trans Resonator Skid Plate!

Installation Notes:

- This product is compatible with 2018-Current Jeep Wrangler JL 4 door with a 3.6L engine.
- This skid plate is compatible with our other Barnes 4wd JL skid plates but may not work with other brands of aftermarket skids.
- Refer to a factory service manual for the removal of any factory components.
- If installing the complete skid kit install this kit last
- Leave all hardware loose until the final step

Tools required:

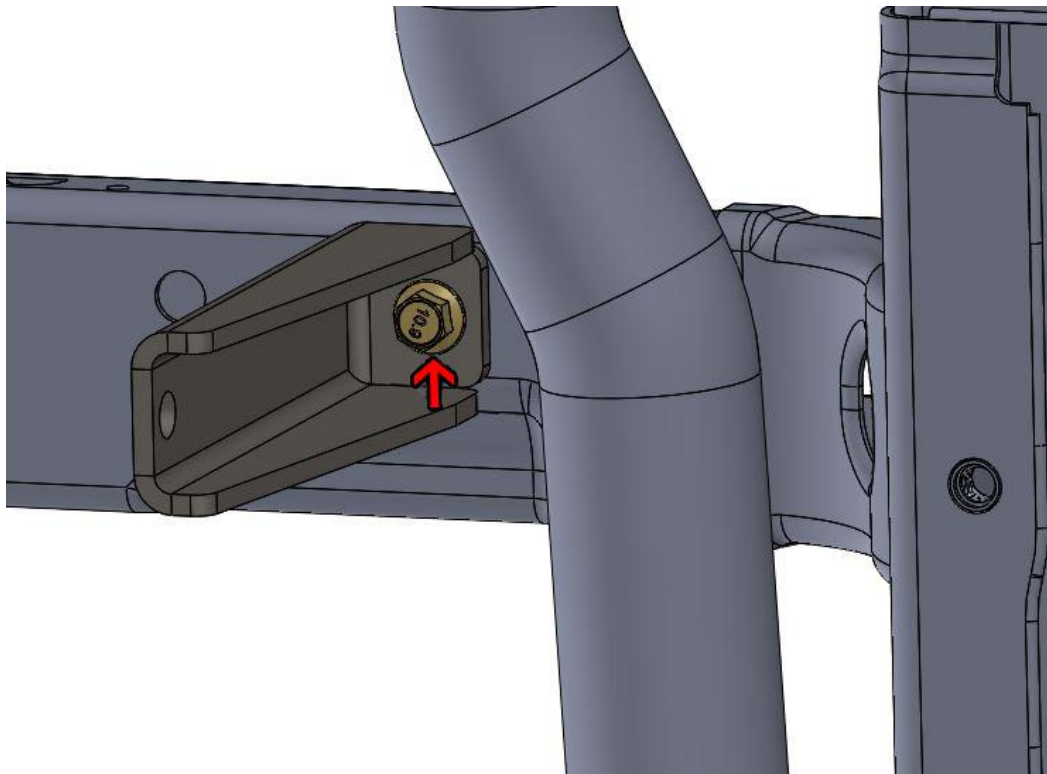
- 19MM socket
- ¾" Socket
- ¾" Combination wrench
- Ratchet
- 4" Extension
- Jack

Contents of box

Bill Of Materials for B4WK12841 JL Resonator Skid Prepack			
QTY	Part Number	Etch Number	Description
1	B4W250903W	903	JL Resonator Skid Bracket Welded
1	B4W250902W	902	JL Resonator Skid Plate Welded
2	B4WBHP98	NA	1/2" 9/16" Bolt Head Protector
4	50NWSAFY	NA	1/2" SAE Flat Washer Yellow Zinc
2	50CNNE0Y/GC	NA	1/2"-13 Nylon Lock Nut
2	50C150HCS8Y	NA	1/2"-13 X 1-1/2" Hex Head Bolt Yellow
3	.120F400HCSIP/961	NA	M12-1.5X40 Hex Bolt
3	.120NWSFOZ/HV200	NA	M12 Flat Washer 10.9

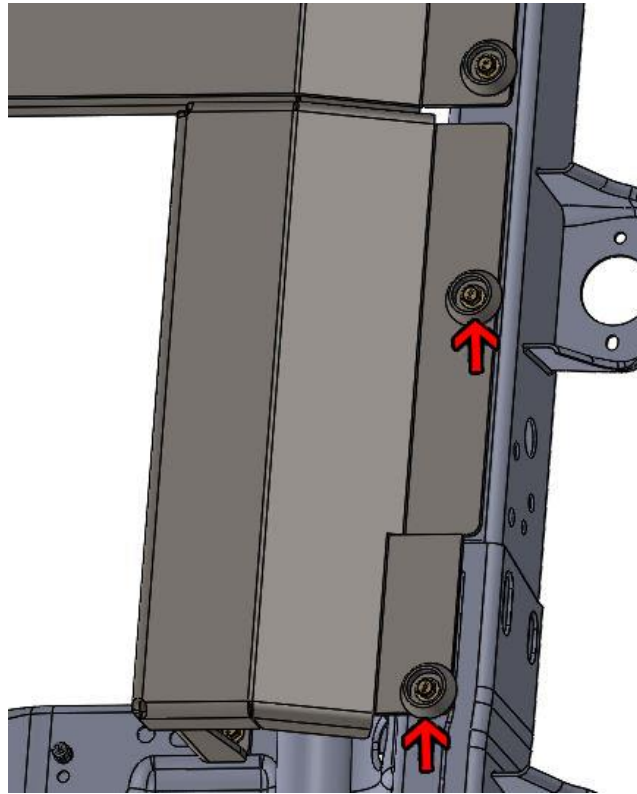
Step 1:

Install the resonator skid bracket with the supplied M12 hardware as shown below.



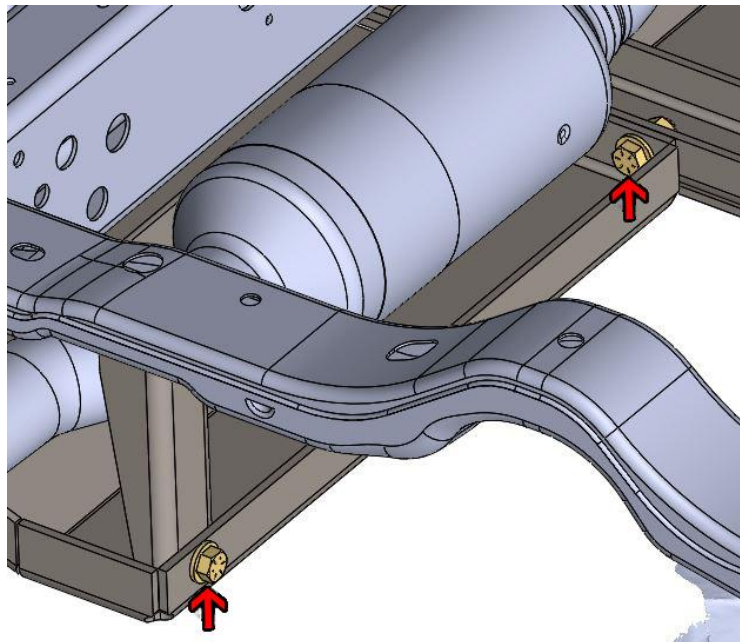
Step 2:

Install the resonator skid on to the frame with the supplied M12 hardware and bolt head protectors.



Step 3:

Install the supplied 1/2" hardware through the bracket and crossmember as shown below.



Step 4:

Tighten all hardware.

Congratulations! You Have finished the installation of the Barnes4wd Jeep JL 3.6L Resonator Skid Plate

Professional Services Disclaimer:

The content of all pages of this website (collectively, the "Website"), such as text, graphics, images, information, and other material (collectively, "Content") is for informational purposes only. Any information furnished on this Website is not intended nor implied to be automotive advice and is not intended to replace personal consultation with a qualified automotive service technician, mechanic, or similar automotive professional.

Barnes 4WD has not examined the Content for accuracy, timeliness, completeness, appropriateness, or helpfulness. Barnes 4WD does not endorse any specific tests, products, procedures, opinions, or other information that may be mentioned on this Website. Your reliance upon information and Content obtained by you at or through this Website is solely at your own risk. IN NO EVENT SHALL BARNES 4WD BE LIABLE OR OTHERWISE RESPONSIBLE FOR ANY DAMAGE OR INJURY (INCLUDING DEATH) TO YOU, OTHER PERSONS, OR PROPERTY ARISING FROM ANY USE OF ANY PRODUCT, INFORMATION, IDEA, OR INSTRUCTION CONTAINED IN THE CONTENT.

BARNES 4WD DOES NOT MAKE ANY REPRESENTATION OR WARRANTY, EXPRESS OR IMPLIED, AT LAW OR IN EQUITY, WITH RESPECT TO ANY PRODUCT FEATURED ON THE WEBSITE, INCLUDING WITHOUT LIMITATION WITH RESPECT TO MERCHANTABILITY, FITNESS FOR ANY PARTICULAR PURPOSE, VALUE, VALIDITY, OR ENFORCEABILITY, AND ANY AND ALL SUCH OTHER REPRESENTATIONS OR WARRANTIES ARE HEREBY EXPRESSLY DISCLAIMED.



Jeep JL 3.6L Engine Skid Plate Installation Instructions

Thank you for purchasing our Jeep JL 3.6L Engine Skid Plate!

Installation Notes:

- This product is compatible with 2021-Current Jeep Wrangler JL with a 3.6L engine.
- 1.5" of bump stop extension is required
- This skid plate is compatible with our other Barnes 4wd JL skid plates but may not work with other brands of aftermarket skids.
- Refer to a factory service manual for the removal of any factory components.
- If installing the complete skid kit install the engine skid last.
- Leave all hardware loose until the final step

Tools required:

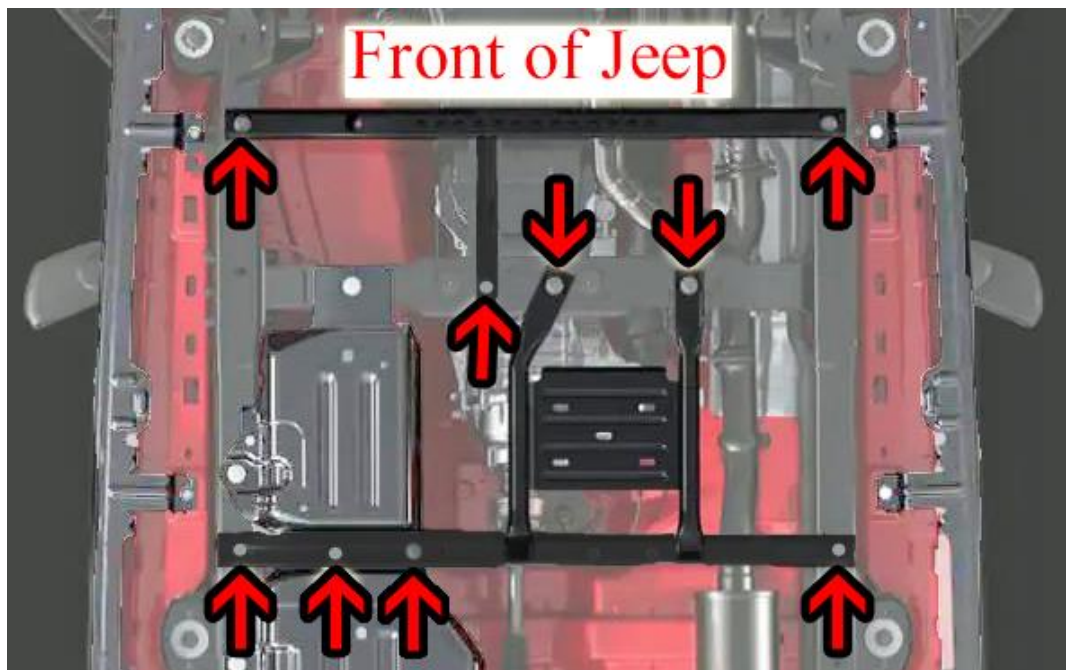
- 18MM socket
- 15MM socket
- 17MM socket
- 13MM socket
- 9/16" socket
- 3/4" socket
- 3/4" combination wrench
- 9/16" combination wrench
- Ratchet
- 4" Extension
- 3/16" allen wrench
- Jack

Contents of box

Bill Of Materials for B4WK12842 JL 3.6L Engine Skid Prepack			
QTY	Part Number	Etch Number	Description
1	B4WK12648	NA	JT/JL 3.6 Engine Skid Weldment
1	B4WK12302	NA	JK Skid Oil Pan Skid Plate Oil Change Door Weldment
1	B4W188867	867	JL Engine Skid Plate Gusset Strap
1	B4W250862W	862	JT Driver Engine Skid Mount Weldment
1	B4W250983	983	JL Engine Skid Passenger Mount New Style
2	B4WBHP98	NA	1/2" 9/16" Bolt Head Protector
4	50NWSAFY	NA	1/2" SAE Flat Washer Yellow Zinc
2	50CNNE0Y/GC	NA	1/2"-13 Nylon Lock Nut
2	50C150HCS8Y	NA	1/2"-13 X 1-1/2" Hex Head Bolt Yellow
8	37NWSAFY	NA	3/8 SAE Washer Yellow Zinc
4	37CNNE0Y/GC	NA	3/8-16 Nylock Yellow
4	37C125HCS8Y	NA	3/8"-16X1-1/4" Hex Bolt Grade 8 Yellow
1	31C62KFCS	NA	5/16"-18 X 5/8" Counter Sunk Stainless
1	.100CNNE0Z/985-10	NA	M10 X 1.5 Nylock Nut
1	.120F400HCSIP/961	NA	M12-1.5X40 Hex Bolt
1	.120NWSF0Z/HV200	NA	M12 Flat Washer 10.9
1	.100C350BHFOY/6921	NA	M10-1.5 x 35mm Hex Flange Bolt Yellow Zinc

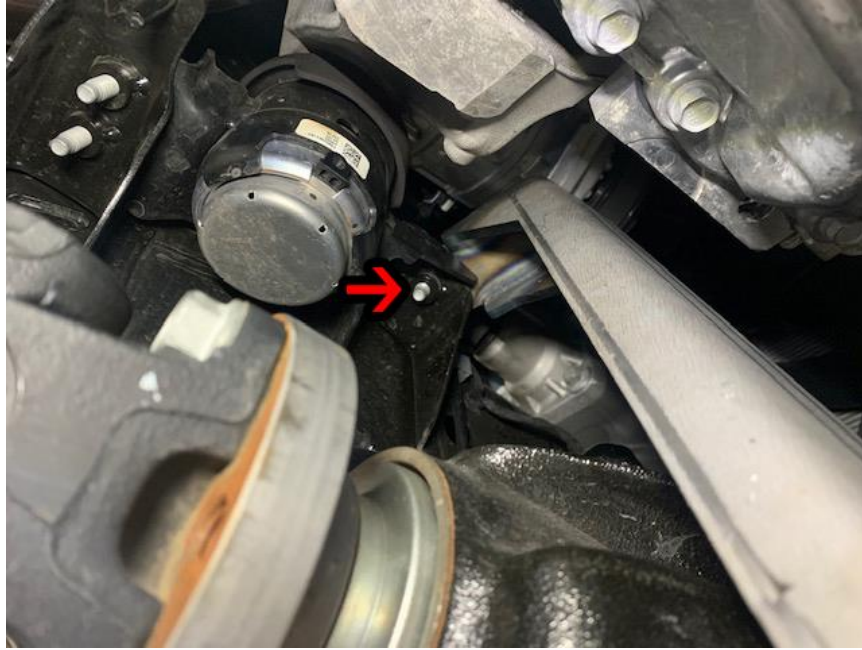
Step 1:

Remove the factory transfer case skid plate and the transmission pan skid plate if equipped.



Step 2:

Install the driver side engine skid mounting bracket by removing the 10mm factory hardware as shown below. Place bracket and reinstall bolt.



Step 3:

Install the passenger side engine skid mounting bracket by removing the 10mm factory hardware and replacing it with the supplied 10mm bolt and nut as shown below.

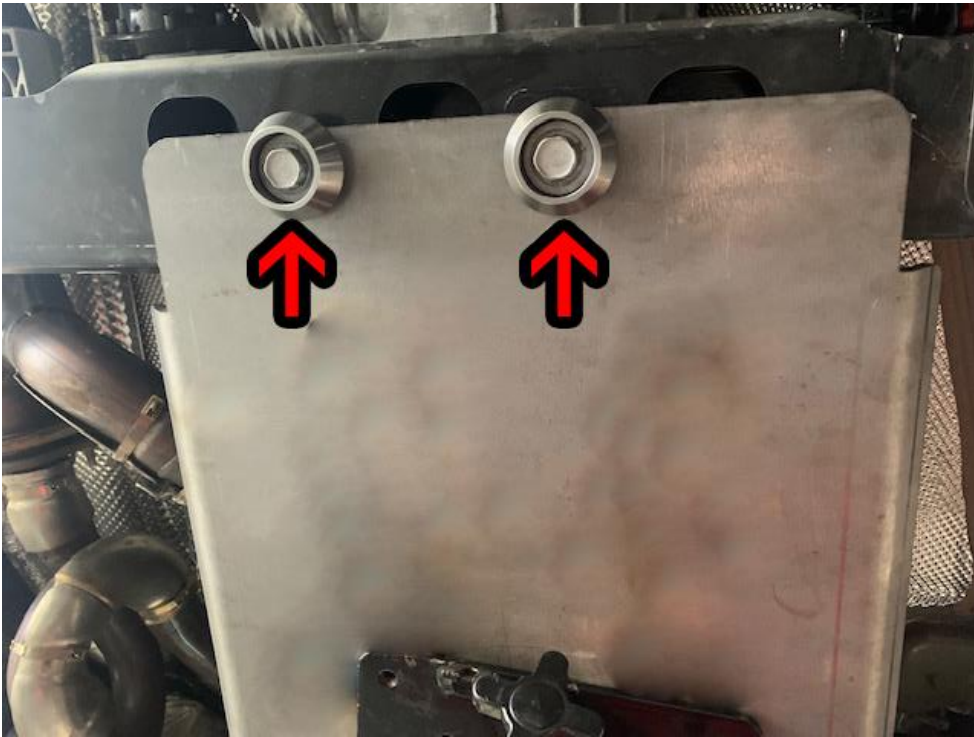


Step 4:

Install engine skid into place with a jack.

Step 5:

Reinstall the factory hardware with supplied bolt head protectors into the crossmember if your jeep has a manual transmission you will need to use the supplied 12mm bolt.



Step 6:

Install the supplied ½" hardware into the front of the skid as shown below.



Step 7:

Install the gusset strap and supplied hardware on the skid plate as shown below.



Step 8:

Install the oil change door with its supplied hardware as shown below.



Congratulations! You Have finished the installation of the Barnes4wd Jeep JL 3.6L Engine Skid Plate

Professional Services Disclaimer:

The content of all pages of this website (collectively, the "Website"), such as text, graphics, images, information, and other material (collectively, "Content") is for informational purposes only. Any information furnished on this Website is not intended nor implied to be automotive advice and is not intended to replace personal consultation with a qualified automotive service technician, mechanic, or similar automotive professional.

Barnes 4WD has not examined the Content for accuracy, timeliness, completeness, appropriateness, or helpfulness. Barnes 4WD does not endorse any specific tests, products, procedures, opinions, or other information that may be mentioned on this Website. Your reliance upon information and Content obtained by you at or through this Website is solely at your own risk. IN NO EVENT SHALL BARNES 4WD BE LIABLE OR OTHERWISE RESPONSIBLE FOR ANY DAMAGE OR INJURY (INCLUDING DEATH) TO YOU, OTHER PERSONS, OR PROPERTY ARISING FROM ANY USE OF ANY PRODUCT, INFORMATION, IDEA, OR INSTRUCTION CONTAINED IN THE CONTENT.

BARNES 4WD DOES NOT MAKE ANY REPRESENTATION OR WARRANTY, EXPRESS OR IMPLIED, AT LAW OR IN EQUITY, WITH RESPECT TO ANY PRODUCT FEATURED ON THE WEBSITE, INCLUDING WITHOUT LIMITATION WITH RESPECT TO MERCHANTABILITY, FITNESS FOR ANY PARTICULAR PURPOSE, VALUE, VALIDITY, OR ENFORCEABILITY, AND ANY AND ALL SUCH OTHER REPRESENTATIONS OR WARRANTIES ARE HEREBY EXPRESSLY DISCLAIMED.