

## JEEP JK Front Axle Shock Brackets

Thank you for purchasing Barnes 4WD  
Jeep JK Front Axle Shock Brackets

### Installation Notes:

- This bracket is designed to replace the OEM JK Front Axle Shock Brackets
- These brackets fit 2007-2018 Jeep JK and Jeep JKU
- Installation of this product requires a trained welder
- Cutting off existing bracketry is required for installation
- Refer to your vehicles factory service manual for removal of any factory components

### Tools Required:

- Welding machine with the capability of welding at least ¼" steel.
- Proper cutting tool (Grinder with cut off wheel, plasma cutter, cutting torch, etc.)
- Tape Measure
- Angle Finder

### Step 1:

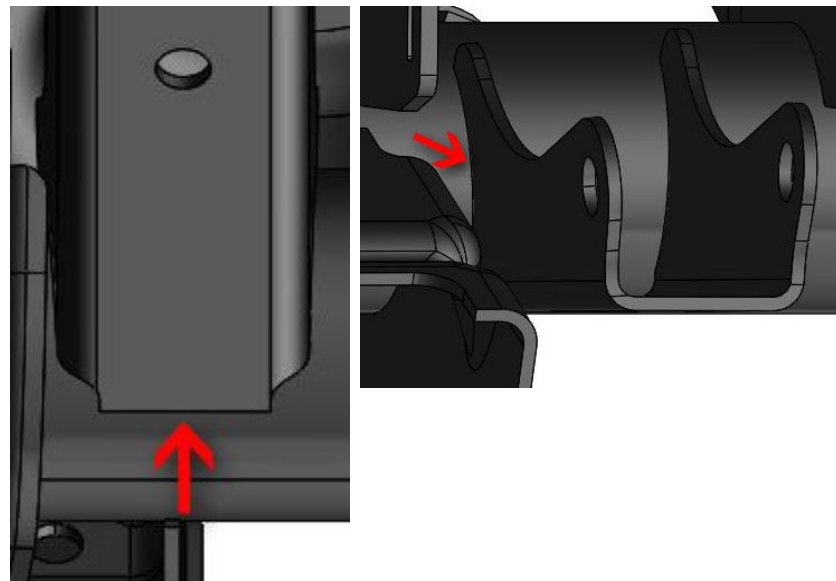
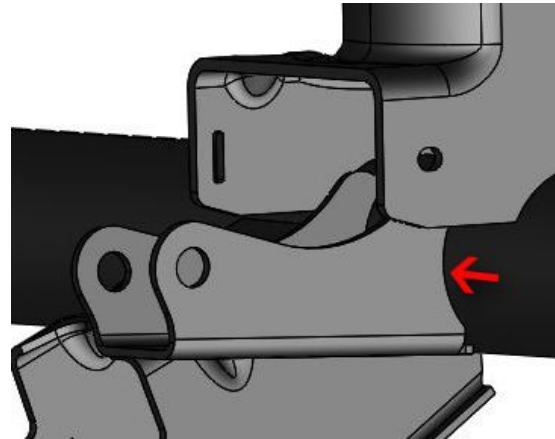
Park the Jeep on a level surface and remove the front axle shock brackets.

### Step 2:

Measure the location of the OEM bracket on the axle. Make a note of these measurements the Barnes 4WD Jeep JK front axle shock brackets will need to be located in the same location as the OEM brackets.

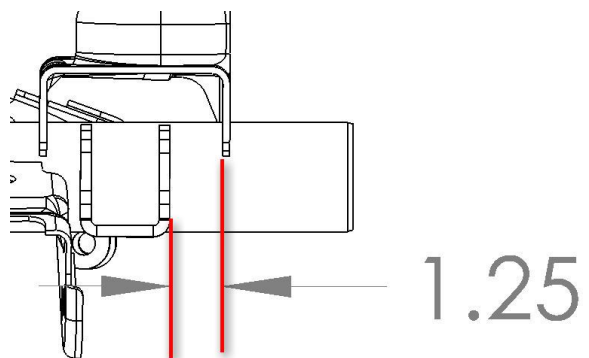
### Step 3:

Using the proper cutting tool remove the OEM front axle shock brackets.



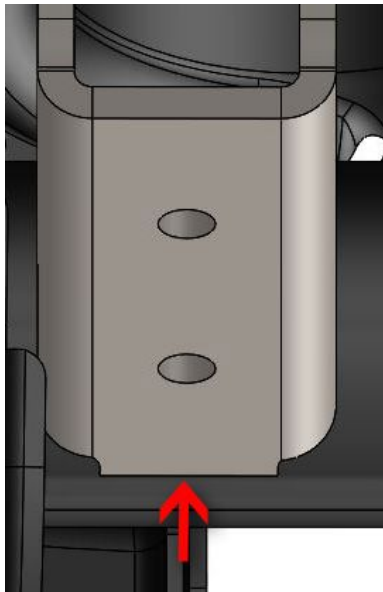
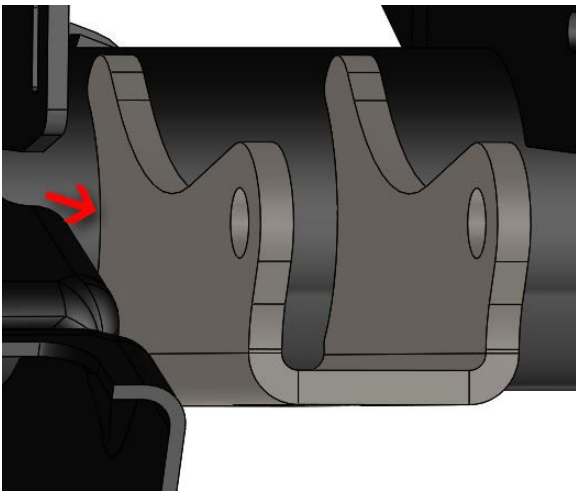
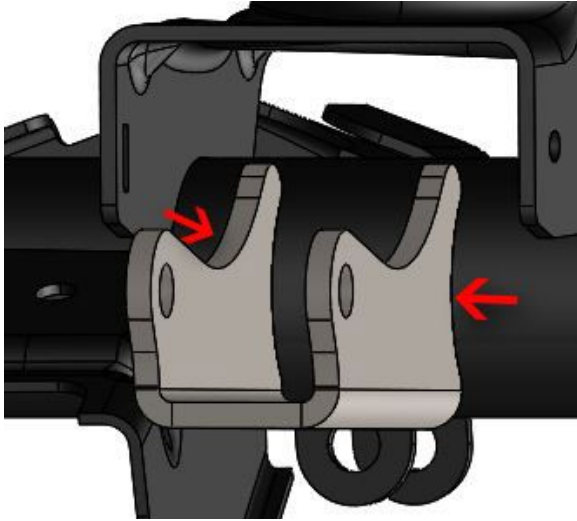
### Step 4:

Place the new Barnes 4WD shock bracket on the axle. Use the measurement from step 2 to locate the bucket. The bracket should be 1 ¼" from the inside of the coil spring bucket as shown in the pictures below. The bracket should be parallel to the coil spring bucket.



**Step 5:**

Once the bracket is in the desired location tack weld into place. In the locations shown in the picture below.



**Step 6:**

Once the bracket has been tacked into place. Test fit the front shock. Make sure to fully cycle the front suspension to check for any clearance issues.

**Step 8:**

After the front shock has been test fit remove front shock and fully weld the bracket in the locations it was tacked in step 5.

**Step 7:**

Repeat steps 2 through 8 on the opposite side of the Jeep.

**Congratulations! You have Completed Installation of your Barnes 4WD JEEP JK Front Shock Bracket.**

**Professional Services Disclaimer:**

The content of all pages of this website (collectively, the "Website"), such as text, graphics, images, information and other material (collectively, "Content") is for informational purposes only. Any information furnished on this Website is not intended nor implied to be automotive advice and is not intended to replace personal consultation with a qualified automotive service technician, mechanic, or similar automotive professional.

BARNES 4WD has not examined the Content for accuracy, timeliness, completeness, appropriateness, or helpfulness. BARNES 4WD does not endorse any specific tests, products, procedures, opinions, or other information that may be mentioned on this Website. Your reliance upon information and Content obtained by you at or through this Website is solely at your own risk. IN NO EVENT SHALL BARNES 4WD BE LIABLE OR OTHERWISE RESPONSIBLE FOR ANY DAMAGE OR INJURY (INCLUDING DEATH) TO YOU, OTHER PERSONS, OR PROPERTY ARISING FROM ANY USE OF ANY PRODUCT, INFORMATION, IDEA, OR INSTRUCTION CONTAINED IN THE CONTENT.

BARNES 4WD DOES NOT MAKE ANY REPRESENTATION OR WARRANTY, EXPRESS OR IMPLIED, AT LAW OR IN EQUITY, WITH RESPECT TO ANY PRODUCT FEATURED ON THE WEBSITE, INCLUDING WITHOUT LIMITATION WITH RESPECT TO MERCHANTABILITY, FITNESS FOR ANY PARTICULAR PURPOSE, VALUE, VALIDITY, OR ENFORCEABILITY, AND ANY AND ALL SUCH OTHER REPRESENTATIONS OR WARRANTIES ARE HEREBY EXPRESSLY DISCLAIMED.